

INSTALLATION INSTRUCTIONS

MOWER LIFT KIT
MFG. NO. 1685219



WARNING

Before installing the kit or making any adjustment, disengage the PTO, set the parking brake, shift into gear, stop the engine and remove the key.

KIT PARTS

This kit consists of items A thru G in figure 1. The other parts shown (H thru K) are on the tractor.

PROCEDURE

1. Remove the existing lift lever and lift rod from the tractor. Install the new lever (B) using same hardware (H thru K.) Install the knob (A) on the new lift lever (B).

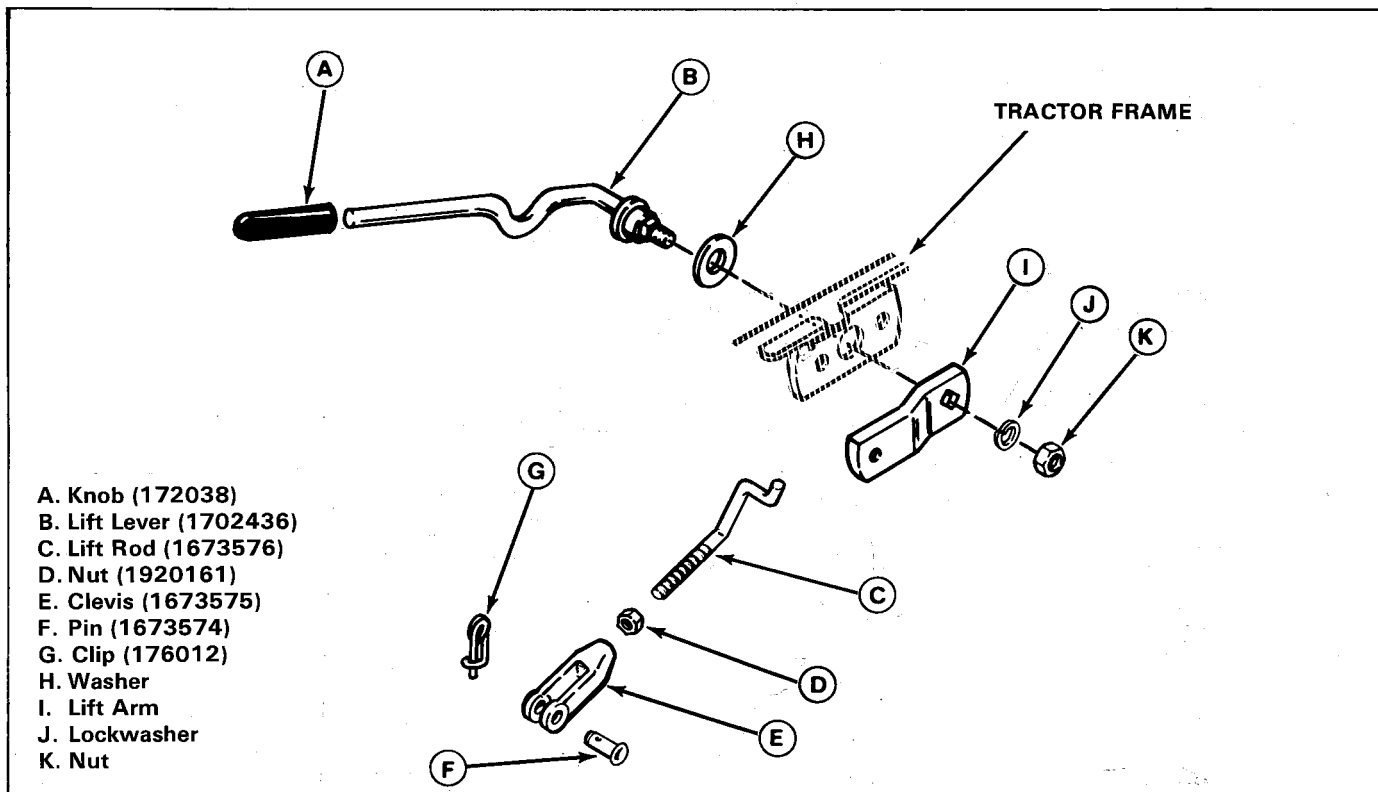


Figure 1. Mower Lift Kit

2. Insert the lift rod (C) into lift arm (I). Thread the nut (D) and clevis (E) onto the rod.
3. Connect the clevis (E, figure 2) to lift chain (C) using pin (D) and clip (B). (36" mower shown.)
4. Adjust Lift Lever — 36" Mower (For 42" Mower go to Step 5).
 - a. Place the mower in low cut position. Using the lift lever, raise the mower.
 - b. Measure the distance between top of upstop bracket and bottom of footrest. On 8, 10, 11, & 12 HP tractors, the measurement should be 2-13/16 inch. On 12.5 and 16 HP tractors, measurement should be 3-1/4 inch.
 - c. To adjust, disconnect clevis from chain. Loosen nut and turn clevis to raise or lower mower. Reconnect chain to check measurement. When correct, tighten nut against clevis.

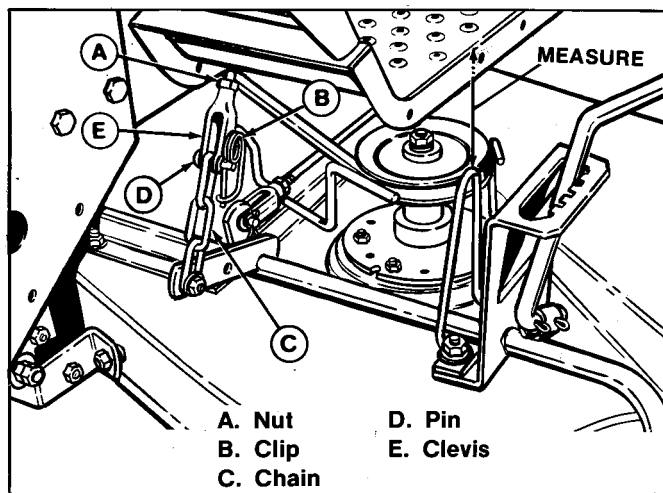


Figure 2. 36" Mower

5. Adjust Lift Lever — 42" Mowers.
 - a. Place the mower in low cut position. Using lift lever, raise the mower.
 - b. Measure the distance between R.H. arbor cover and the upstop bracket. It should be 2 in. If not, disconnect the clevis from the chain. Loosen the nut and turn the clevis to raise or lower mower. Connect chain to check measurement. When correct, tighten nut against clevis.

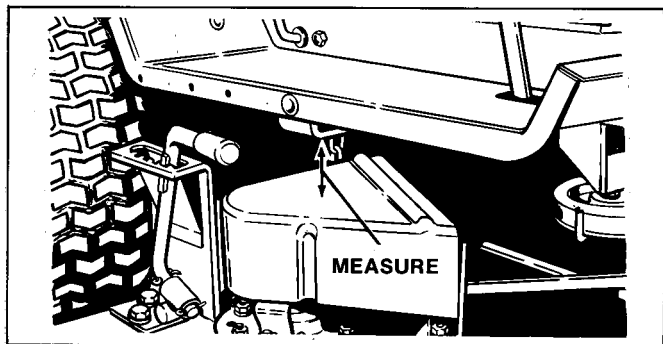


Figure 3. 42" Mower