

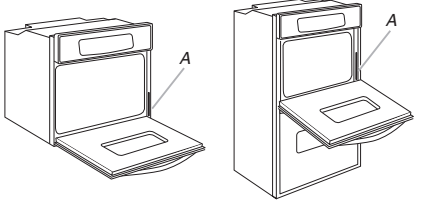


30" (76.2 CM) ELECTRIC SINGLE AND DOUBLE BUILT-IN OVEN

PRODUCT MODEL SERIES

GBD309PV	RBD307PV
GBS309PV	RBS305PV
RBD305PV	RBS307PV

Electrical Requirements: Oven must be connected to the proper electrical voltage and frequency as specified on the model/serial number rating plate. The model/serial number rating plate is located at the bottom of the right-hand mounting rail. See the following illustrations.



Single Oven
A. Model/serial number plate

Double Oven
A. Model/serial number plate

Models rated from 7.3 to 9.6 kW at 240 volts (5.5 to 7.2 kW at 208 volts) require a separate 40-amp circuit. Models rated at 7.2 kW and below at 240 volts (5.4 kW and below at 208 volts) require a separate 30-amp circuit.

A circuit breaker is recommended. Connect directly to the circuit breaker box (or fused disconnect) through flexible, armored or nonmetallic, sheathed copper cable (with grounding wire).

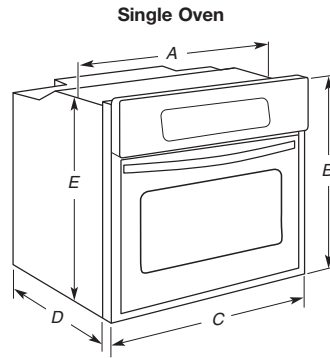
Flexible conduit from the oven should be connected directly to the junction box. Do not cut the conduit. The length of conduit provided is for serviceability of the oven. A UL-listed or CSA-approved conduit connector must be provided.

If the house has aluminum wiring, follow the procedure below:

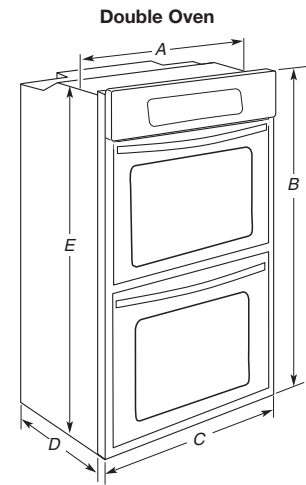
1. Connect a section of solid copper wire to the pigtail leads.
2. Connect the aluminum wiring to the added section of copper wire using special connectors and/or tools designed and UL-listed for joining copper to aluminum.

Follow the electrical connector manufacturer's recommended procedure. Aluminum/copper connection must conform with local codes and industry-accepted wiring practices.

PRODUCT DIMENSIONS



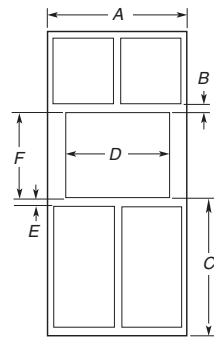
A. 28⁵/₁₆" (71.9 cm) max. recessed width
B. 29" (73.7 cm) max. overall height
C. 29³/₄" (75.6 cm) overall width
D. 23" (58.4 cm) max. recessed depth
E. 27¹/₂" (69.9 cm) recessed height



A. 28⁵/₁₆" (71.9 cm) max. recessed width
B. 51" (129.5 cm) max. overall height
C. 29³/₄" (75.6 cm) overall width
D. 23" (58.4 cm) max. recessed depth
E. 49⁵/₁₆" (125.9 cm) recessed height

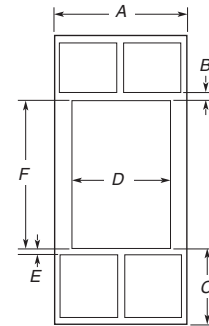
CABINET DIMENSIONS

Single Oven Installed in Cabinet



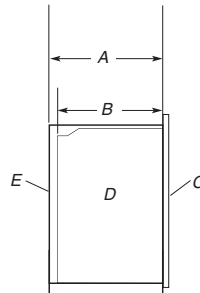
A. 30" (76.2 cm) min. cabinet width
B. 1" (2.5 cm) top of cutout to bottom of upper cabinet door
C. 32" (81.3 cm) bottom of cutout to floor
D. 28¹/₂" (72.4 cm) cutout width
E. 1¹/₂" (3.8 cm) min. bottom of cutout to top of cabinet door
F. 27³/₄" (70.5 cm) cutout height

Double Ovens Installed in Cabinet



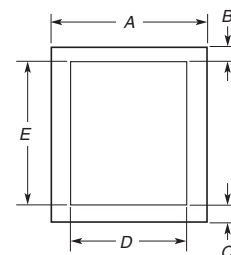
A. 30" (76.2 cm) min. cabinet width
B. 1" (2.5 cm) top of cutout to bottom of upper cabinet door
C. 14³/₄" (37.5 cm) bottom of cutout to floor
D. 28¹/₂" (72.4 cm) cutout width
E. 1¹/₂" (3.8 cm) min. bottom of cutout to top of cabinet door
F. 49⁵/₁₆" (126.4 cm) min. cutout height

Cabinet Side View - Single or Double Oven



A. 23¹/₄" (59.1 cm) min. cutout depth
B. 23" (58.4 cm) recessed oven depth
C. Oven front
D. Recessed oven
E. Cabinet

Single Oven Undercounter (without cooktop installed above)



A. 30" (76.2 cm) min. cabinet width
B. 1¹/₂" (3.8 cm) min. top of cutout to underside of countertop
C. 5¹/₄" (13.3 cm) bottom of cutout to floor
D. 28¹/₂" (72.4 cm) cutout width
E. 27³/₄" (70.5 cm) min. cutout height