

PARTS LIST

Vacuum Cleaner

SC-B1210 (U.S.A.)

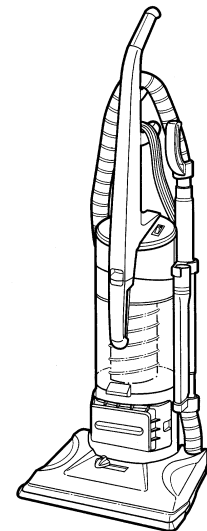
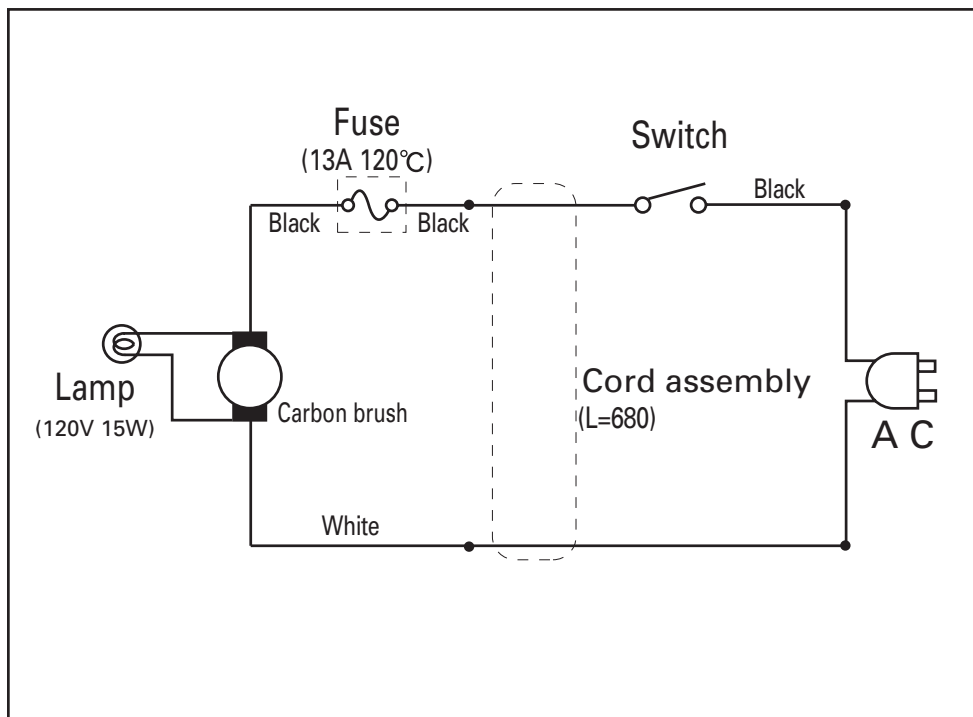
Specifications

Power source	: AC 120 V 60 Hz
Power consumption	: 12 A
Motor revolution	: 32,500 r.p.m.
Vacuum	: 2,000 mmAq
Dimensions	: 14 - 1/4" X 14 - 3/16" X 45"
L X W X H	(362 X 360 X 1,143 mm)
Net weight	: 18 lbs. 1 ozs. (8.2 Kg)
Attachment	: Suction hose, Floor tool, Connection pipe, Crevice tool, Upholstery brush

PRODUCT CODE NO.

1 - 326 663 03 (L)

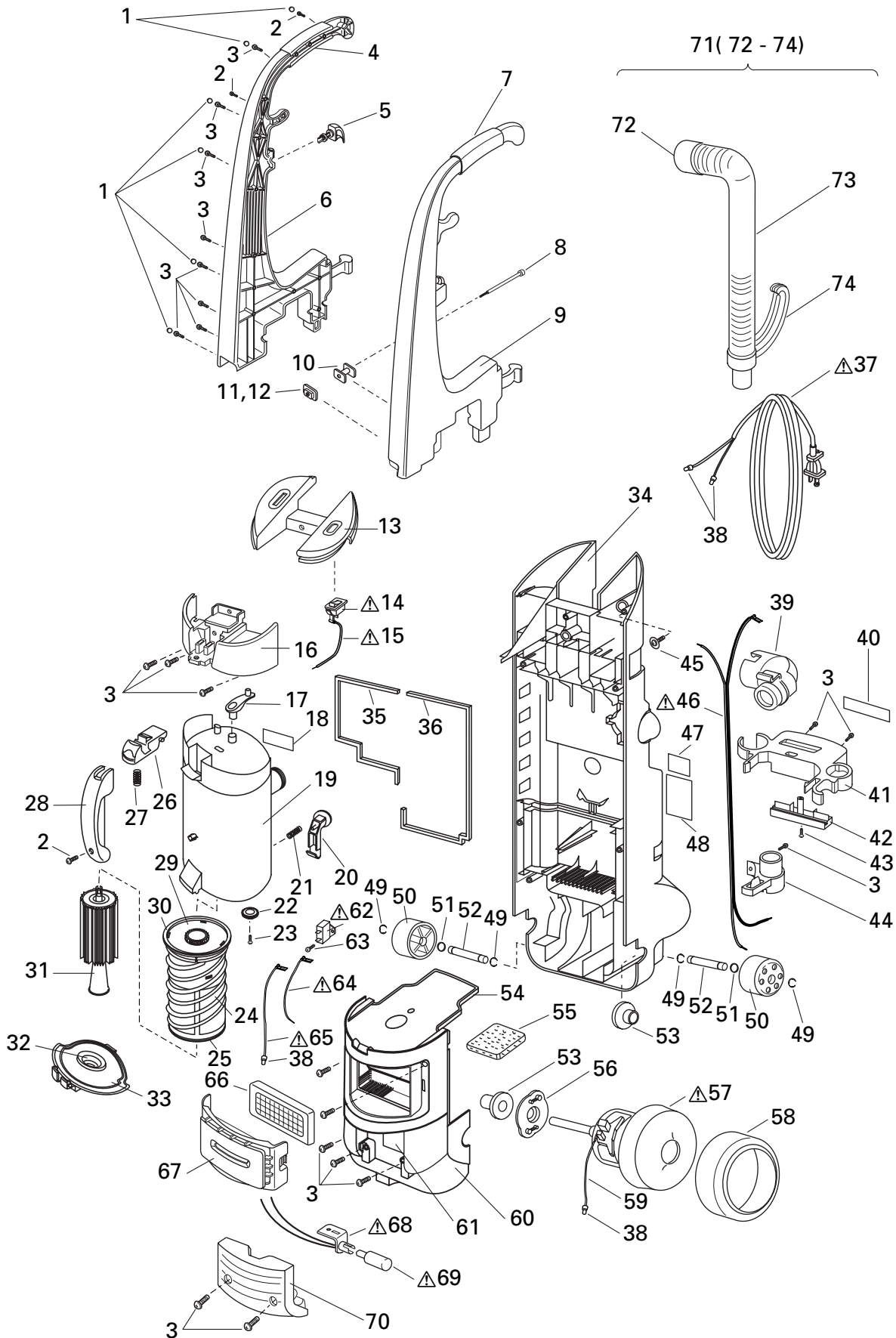
Wiring Diagram





Exploded View

NOTE: The parts marked with \triangle have special characteristics of safety, if replace the \triangle mark parts, use only SANYO specified parts.

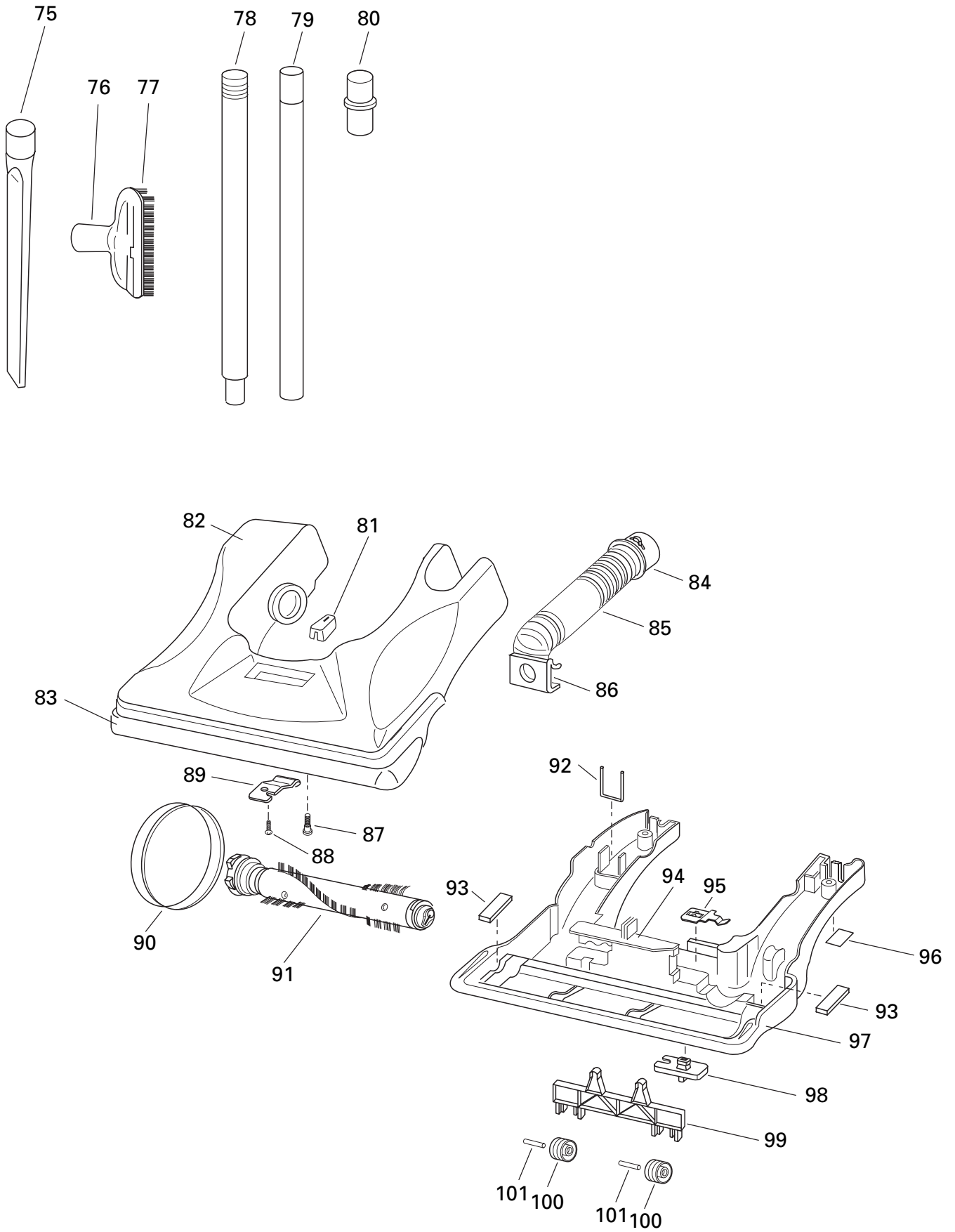
SC-B1210 (U.S.A.)



Exploded View

NOTE: The parts marked with  have special characteristics of safety, if replace the  mark parts, use only SANYO specified parts.

SC-B1210 (U.S.A.)



Parts List

NOTE: The parts marked with \triangle have special characteristics of safety,
if replace the \triangle mark parts, use only SANYO specified parts.

SC-B1210 (U.S.A.)

Key No.	Parts No.	Description	Q'ty	Key No.	Parts No.	Description	Q'ty
1	649 000 4832	INLAY PLUG (N5-46)	6	\triangle 49 000 0742	CARBON BRUSH ASSEMBLY	2	
2	411 006 8103	SCR TPG PAN 4X16	3	58 649 000 0704	MOTOR CUSHION FRONT	1	
3	411 006 8301	SCR TPG PAN 4X20	21	59 649 000 5266	LEAD WIRE (WHITE) L=350	1	
4	649 000 4849	GRIP COVER RIGHT (N1-230)	1	60 649 000 5273	CASE FRONT (N5-46)	1	
5	649 000 4856	CORD HOOK (N5-46)	1	61 649 000 5280	SHIELD SHEET	1	
6	649 000 4863	GRIP RIGHT (N5-46)	1	\triangle 62 649 000 2708	FUSE ASSEMBLY (13A 120°C)	1	
7	649 000 4870	GRIP COVER LEFT (N1-230)	1	63 411 006 7700	SCR TPG PAN 4X12	1	
8	649 000 4887	SCREW	1	\triangle 64 649 000 1794	CORD ASSEMBLY (BLACK) L=200	1	
9	649 000 4894	GRIP LEFT (N5-46)	1	\triangle 65 649 000 5297	CORD ASSEMBLY (BLACK) L=350	1	
10	649 000 4900	GRIP SUPPLEMENT A (NN-B)	1	66 649 000 4603	OUTLET FILTER	1	
11	649 000 4917	GRIP SUPPLEMENT B (NN-B)	1	67 649 000 5303	AIR OUTLET	1	
12	411 004 6101	NUT HEX 6	1	\triangle 68 649 000 5310	LAMP HOLDER	1	
13	649 000 4924	CASE ORNAMENT (B-474)	1	\triangle 69 649 000 4580	LAMP (15W 120V)	1	
\triangle 14	649 000 2647	SWITCH	1	70 649 000 5327	LENS (N1-217)	1	
\triangle 15	649 000 4931	CORD ASSEMBLY (BLACK) L=120	1	71 649 000 5334	SUCTION HOSE COMP. KEYNO.72-74	1	
16	649 000 4948	CASE COVER(N5-46)	1	72 649 000 5341	HOSE JOINT PIPE B (NN-B)	1	
17	649 000 4955	DUSTER HANDLE A (B-485)	1	73 649 000 5358	SUCTION HOSE (NN-B)	1	
18	649 000 4962	CAUTION LABEL C	1	74 649 000 5365	HOSE GRIP PIPE (NN-B)	1	
19	649 000 4979	DUST BOX ASSEMBLY	1	75 649 000 2142	CREVICE TOOL	1	
20	649 000 4986	CRAMP HOOK (N1-233)	1	76 649 000 2159	UPHOLSTERY TOOL (NN-B)	1	
21	649 000 4993	CRAMP SPRING B	1	77 649 000 2814	DUSTING BRUSH (NN-B)	1	
22	649 000 5006	GEAR B (N1-233)	1	78 649 000 5372	CONNECTION PIPE A	1	
23	649 000 2654	SCREW 4X16	1	79 649 000 5389	CONNECTION PIPE B	1	
24	649 000 5013	PRE FILTER ASSEMBLY A	1	80 649 000 5396	CONNECTION PIPE C (NN-B)	1	
25	649 000 5020	PACKING B (N1-233)	1	81 649 000 5402	LEVER KNOB (B-485)	1	
26	649 000 5037	CRAMP LEVER (B-485)	1	82 649 000 5419	CASE UPPER (N5-46)	1	
27	649 000 5044	CRAMP SPRING A	1	83 649 000 5426	BUMPER (N1-230)	1	
28	649 000 5051	HANDLE (N5-46)	1	84 649 000 5341	HOSE JOINT PIPE B (NN-B)	1	
29	649 000 5068	GEAR A (N1-233)	1	85 649 000 5433	SUCTION HOSE (NN-B)	1	
30	649 000 5075	PACKING C (N1-233)	1	86 649 000 5440	AIR INLET (B-474)	1	
31	649 000 5082	DUST FILTER COMP. A	1	87 649 000 1305	SCREW	1	
32	649 000 5099	PACKING A (N1-233)	1	88 411 007 0403	SCR TPG TRS 4X14	1	
33	649 000 5105	DUST FILTER COMP. B	1	89 649 000 2869	LEAF SPRING	1	
34	649 000 5112	CASE REAR (B-474)	1	90 649 000 2876	FLAT BELT	1	
35	649 000 5129	AIR SPREADER D	1	91 649 000 4597	ROTARY BRUSH ASSEMBLY	1	
36	649 000 5136	AIR SPREADER C	1	92 649 000 2890	BELT COVER D	1	
\triangle 37	649 000 4344	POWER CORD (U2)	1	93 649 000 4474	AIR SPREADER B	2	
38	649 000 0179	WIRE CONNECTOR (CE-5)	4	94 649 000 5457	LEVER (N5-46)	1	
39	649 000 5143	HOSE JOINT PIPE A (NN-B)	1	95 649 000 1244	LEAF SPRING D	1	
40	649 000 5150	LABEL	1	96 649 000 5464	CAUTION LABEL B	1	
41	649 000 5167	ATTACHMENT SUPPORTER A	1	97 649 000 5471	BOTTOM PLATE (NN-B)	1	
42	649 000 5174	ATTACHMENT SUPPORTER B	1	98 649 000 2913	LATCH (NN-B)	1	
43	411 006 6109	SCR TPG PAN 3X16	1	99 649 000 5488	WHEEL HOLDER (NN-B)	1	
44	649 000 5181	EXTENSION PIPE RETAINER	1	100 649 000 2203	WHEEL FRONT (NN-B)	2	
45	649 000 2654	SCREW 4X16	1	101 649 000 5495	SHAFT FRONT	2	
\triangle 46	649 000 5198	CORD ASSEMBLY (L=680)	1				
47	649 000 5204	CAUTION LABEL A	1				
48	649 000 5211	NAME PLATE	1				
49	411 001 0409	RING E 6	4				
50	649 000 5228	WHEEL REAR (NN-B)	2				
51	411 009 8902	WASHER Z 7.2X12X0.5	2				
52	649 000 5235	SHAFT REAR	2				
53	649 000 2593	SLEEVE (NN-B)	2				
54	649 000 5242	DUST BOX PACKING (N1-233)	1				
55	649 000 5259	AIR INLET FILTER	1				
56	649 000 0773	MOTOR CUSHION REAR	1				
\triangle 57	649 000 0735	MOTOR COMP. (AC120V)	1				

COLOR CODE: B-474/B-485(BLUE), N1-217/N1-230/N1-233/N5-46(GRAY), NN-B(BLACK)

For Parts or Service Contact
SANYO FISHER SERVICE CORPORATION.
1411 West 190th Street Suite 700
South Bay Corporate Center Gardena, CA 90248