

Installation Instructions

54" Turbo Blower Mfg. No. 1693706, 1695299

For 54" Mower Decks

SAFETY RULES



Read these safety rules, and the safety rules in your tractor Operator's Manual, and follow them closely. Failure to obey these rules could result in loss of control of vehicle, severe personal injury to yourself, or damage to property or equipment. **THE TRIANGLE ⚠ IN THE TEXT SIGNIFIES IMPORTANT CAUTIONS OR WARNINGS WHICH MUST BE FOLLOWED.**

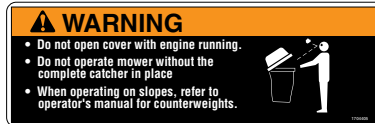
WARNING

- When blower assembly is removed from the mower deck, the deflector must be properly installed.
- If the mower stalls or the turbo blower chute plugs, disengage the electric clutch (PTO), stop the engine and remove the key. set the parking brake. wait for moving parts to stop. Remove the foreign object or clear the chute with a piece of wood before restarting the engine. Never place hands into blower housing to clear jammed object. Blower may rotate when object is removed.
- For added tractor stability and to prevent tipping or loss of control:
 - a. Use reduced speed on uneven ground and when turning corners.
 - b. Reduce loads on hillsides. It is recommended that the collection system be kept only half full when negotiating any slopes. Start mowing on slopes when the collection system is empty.
 - c. Mow up and down the face of slopes; never across the face of any slope.
- When operating on slopes, use front counterweight. Never operate on slopes greater than 17.6% (10°).
- Know the tractor controls and how to stop quickly. **READ THE TRACTOR OPERATOR'S MANUAL.**
- Disengage the electric clutch (PTO). Shut off the engine, remove the key, and wait for all moving parts to stop before attaching, adjusting, or disconnecting any part of the collection system.
- Check the collection system to make sure it is bolted tightly to the tractor.
- Look behind to make sure the area is clear before backing up.
- **DO NOT** turn sharply when travelling alongside a building or any object.
- **DO NOT** carry passengers on the tractor.
- Read and obey all warning decals.

OPERATION

WARNING

Read and obey all operation and warning decals.



Operation With Turbo

- Grass should be cut often but not too short. If grass is too long or lush, it may be necessary to keep ground speed to a minimum or to cut only half the width to prevent clogging. If grass is too high, operate with mower in high cutting position. Cut the grass again in lower cutting position, if desired.
- Before mowing, clear the lawn of all sticks, stones, wire and other debris which may be caught or thrown by the mower blades.
- The blower housing should be removed for cleaning. If a large amount of cut grass is spilling out from under the deck, the tube may be plugged or grass bags are full. Shut off tractor, disengage the PTO, remove the key, and allow all moving parts to stop before disconnecting the tube.
- Always operate at full throttle speed.

Operation Without Turbo

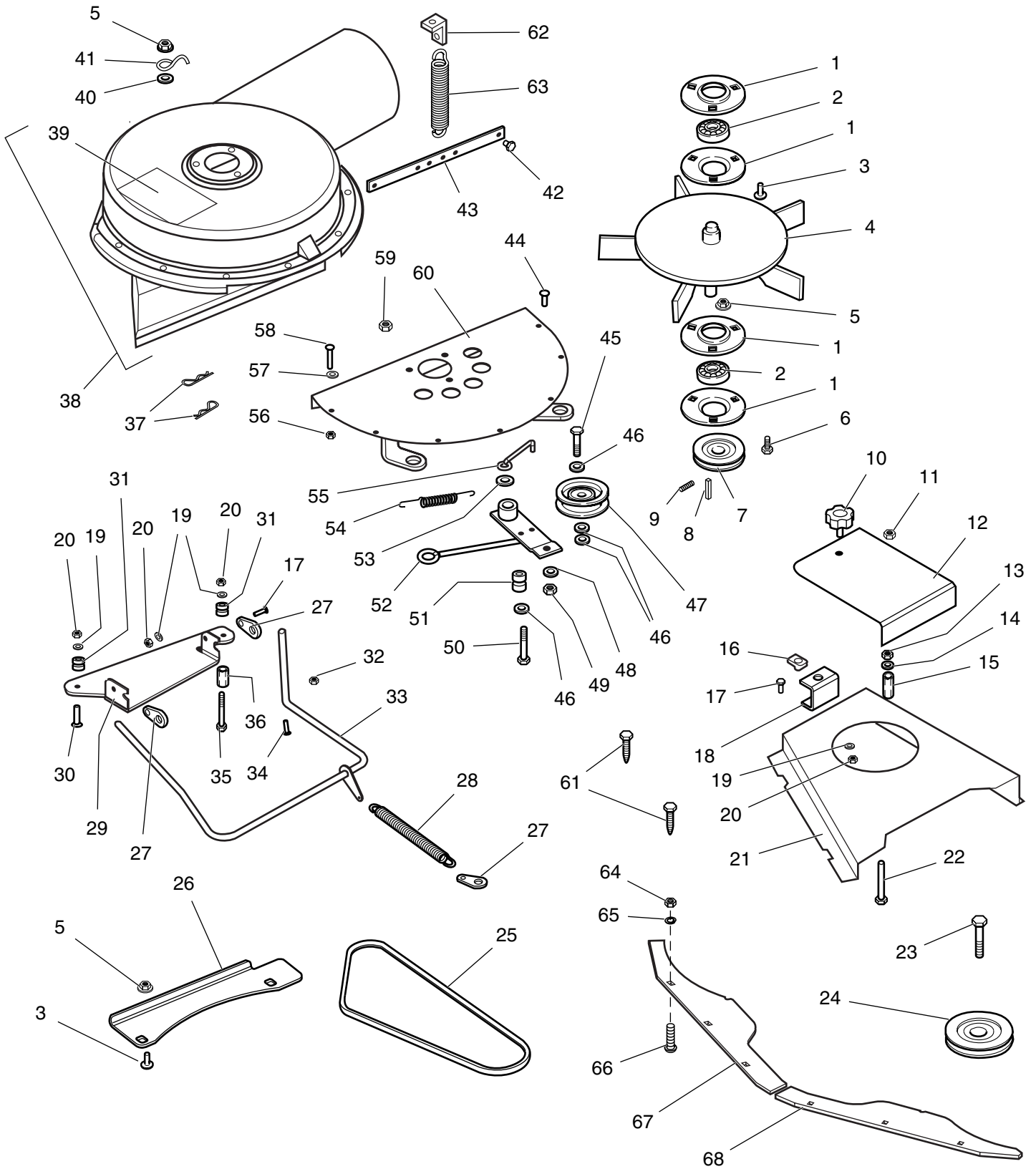
- For operation without the turbo, the deflector must be properly installed in the down position and retained by the spring latch.
- To remove turbo, reverse the installation steps.

Recommended Accessories

- Front counterweight is recommended when using rear-mounted grass catcher.
- On slopes over 17.6% (10°), use two rear wheel weights in addition to front counterweight.

Always mow up and down the face of slopes, never across the face. Never mow on slopes greater than 30% (16.7 degrees)

NOTE: In these instructions, "left" and "right" are referred to as seen from the operating position.



Kit Contents:

Ref	Part No.	Qty.	Description
1	1665982	4	RETAINER, Bearing
2	108202	2	BALL BEARING
3	1931333	5	CARRIAGE BOLT, 5/16-18 x 3/4
4	1706631	1	FAN ASSY
5	1927557	8	FLANGE LOCKNUT, 5/16-18
6	1921332	3	CAPSCREW, .312-18X0.750 G5
7	1706634	1	PULLEY
8	960403	1	KEY, Woodruff
9	1960619	1	SET SCREW, Torx, 5/16-18 x 5/16
10	1935255	1	SPEED NUT
11	1919438	1	NYLOCK NUT, 5/16-18
12	1720918	1	COVER
13	1917372	1	NUT, 5/16-18
14	1917356	1	LOCKWASHER, 5/16
15	1713588	1	SPACER
16	1935255	1	PAL NUT, 5/16-18
17	1921959	4	CAPSCREW, 1/4-20 x 5/8
18	1700654	1	BRACKET, Belt Cover
19	1916964	4	LOCKWASHER, 1/4
20	1916622	4	NUT, 1/4-20
21	1721454A	1	COVER, Arbor
22	1921719	1	CAPSCREW, 5/16-18 x 2-1/2
23	1927120	1	CAPSCREW, 7/16-14 x 2-1/4
24	1720737	1	PULLEY & HUB ASMY
25	1720932	1	V-BELT
26	1720749	1	SUPPORT PLATE
27	1720921	3	LOCKING TAB
28	1719590	1	SPRING, Extension
29	1720920	1	PLATE, Deflector Mounting
30	1931320	1	CARRIAGE BOLT, 1/4-20 x 1-1/4
31	1720718	2	PILOT PIN, Tapered Spacer
32	1933896	4	LOCKNUT, 10-24
33	1720951	1	ROD & ANCHOR ASMY, Deflector
34	1960404	4	SCREW, Truss Head, 10-24 x 3/4

Kit Contents:

Ref	Part No.	Qty.	Description
35	1921159	1	CAPSCREW, 1/4-20 x 2-1/4
36	1720978	1	SPACER, 5/8 x 1
37	1704628	2	PIN, Spring
38	1720892	1	HOUSING, with Decal
39	1700259	1	DECAL-Danger
40	1933988	3	PAL NUT, 5/16
41	1672689	1	S-HOOK
42	1927429	3	TAPTITE SCREW, 1/4-20 x 5/8
43	1706630	1	STRAP
44	1960472	6	SCREW, Truss Head, 1/4-20
45	1921969	1	CAPSCREW, 3/8-16 x 1-1/2
46	1924940	4	WASHER, 3/8
47	1708029	1	PULLEY, Idler
48	1916965	2	LOCKWASHER, 3/8
49	1916950	2	NUT, 3/8-16
50	1923701	1	CAPSCREW, 3/8-16 x 2
51	1666114	1	BUSHING
52	1720934	1	LEVER ASMY
53	1922755	1	WASHER, 3/8
54	174896	1	SPRING, Extension
55	1704419	1	BELT STOP
56	1930641	8	LOCKNUT, 1/4-20
57	1921319	1	WASHER, 1/4
58	1921961	1	CAPSCREW, 1/4-20 x 1-1/4
59	1930645	1	NUT, 3/8-16
60	1720721	1	PLATE & BRACKETS ASMY
61	1929000	2	TAPTITE SCREW
62	1668500	1	BRACKET
63	1672735	1	SPRING
64	1917372	6	NUT, 5/16-18
65	1917356	6	LOCKWASHER, 5/16
66	1931333	6	CARRIAGE BOLT, 5/16-18 x 3/4
67	1721023	1	BAFFLE, RH, 26-1/2"
68	1720613	1	BAFFLE, LH, 23-1/2"

INITIAL INSTALLATION

WARNING

Before beginning any service work turn off the PTO, set the parking brake, turn off the ignition, and disconnect the spark plug wire(s).

NOTE: When installing this attachment on early models, the rivets securing the clips (E, Figure 1) must be drilled out, and the new belt cover secured with taptite screws supplied.

NOTE: The following procedure can be performed with the mower installed on the tractor, however for ease of installation, removing the mower deck is recommended

Install Hook Plate

1. Remove the right side belt cover and retain taptite screws.
2. Remove the deflector, spring, and hinge assemble. Retain the hardware except for the carriage bolts. Use a hammer to drive the carriage bolts back through the deck, and discard the bolts.
3. Install the hook plate (B, Figure 1) below the stone guard using two 5/16-18 x 3/4 carriage bolts (A) and flange locknuts (D). Install the bolts from the bottom up.

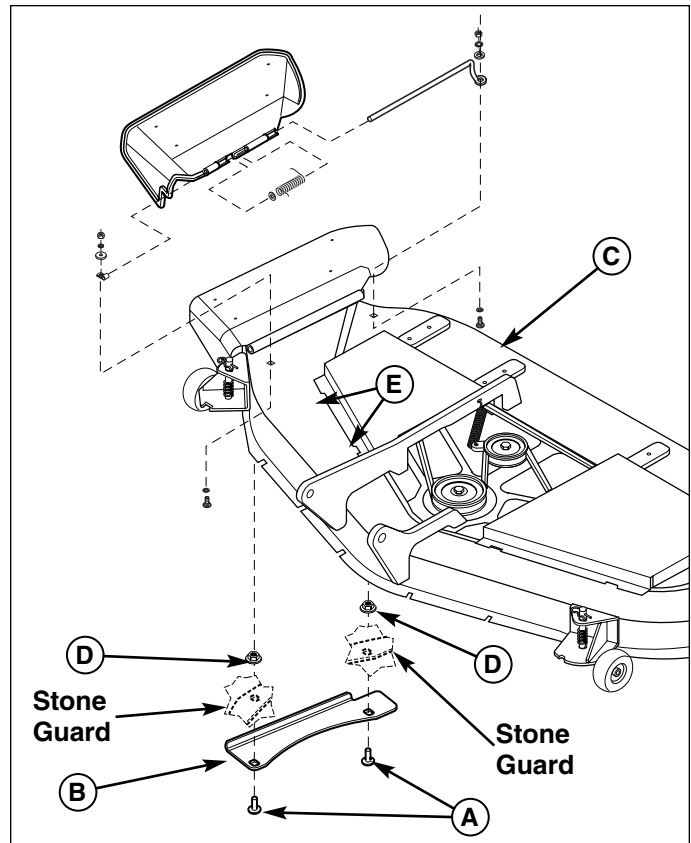


Figure 1. Install Hook Plate
A. 5/16-18 x 3/4 Carriage Bolts
B. Hook Plate
C. Deck Shell
D. Flange Locknuts
E. Clips

Install Pulley

1. Remove the right arbor capscrew, lockwasher, and washer. Discard the capscrew; retain the lockwasher and washer.
2. Install the pulley and hub assembly (D) on top of the original pulley. Secure with a new 7/16-15 x 2-1/4 capscrew (A) and original lockwasher (B) and washer (C). Torque to 55-75 ft. lbs.

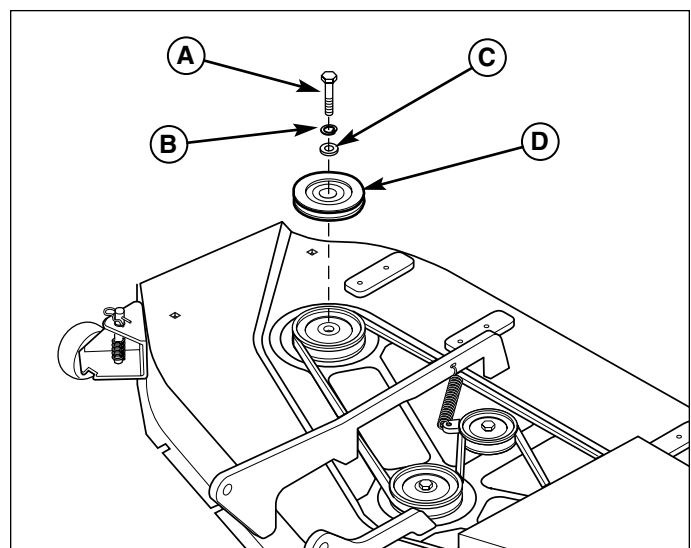


Figure 2. Install New Arbor Pulley
A. Capscrew
B. Lockwasher
C. Washer
D. Pulley and Hub Assy.

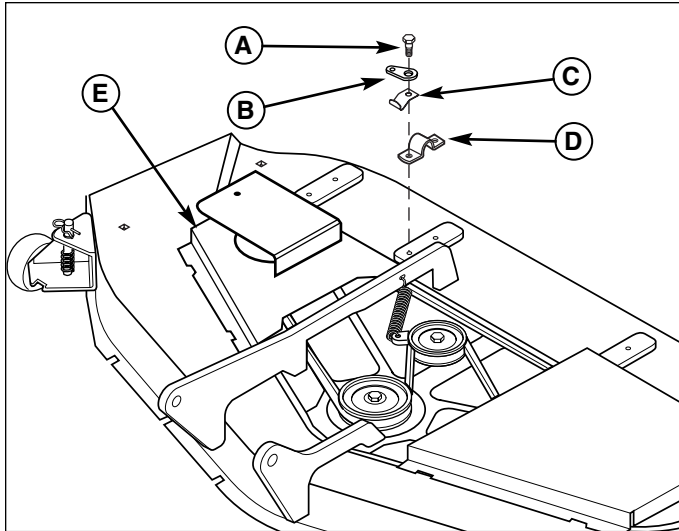


Figure 3. Install Cover & Spring Anchor
A. Taptite Screw **D. Roller Bar Retainer**
B. Spring Anchor **E. New Arbor Cover Assy.**
C. Cover Clip

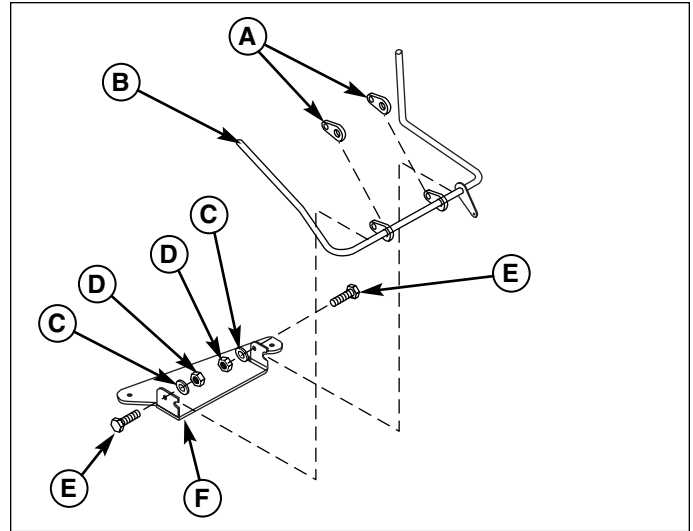


Figure 4. Assemble Hinge
A. Rod Anchors **D. 1/4-20 Nut**
B. Hinge Rod **E. 1/4-20 x 5/8 Capscrew**
C. 1/4" Lockwasher **F. Hinge Bracket**

Install Deflector

1. Locate the taptite screw (A, Figure 3) securing the inner right-hand belt cover spring clip (C). Remove the taptite screw (A).
2. Install the spring anchor (B) above the belt cover clip (C) and secure using the original taptite screw (A).
3. Install the new right hand belt cover assembly (E) using the original taptite screws removed in Step 1.
4. Assemble the hinge rod (B, Figure 4) and hinge bracket (F). Secure using the rod anchors (A), 1/4-20 x 5/8 capscrews (E), lockwashers, and nuts as shown.
5. Drill four 13/64" holes at the marked locations on the underside of the deflector assembly (E, Figure 5).
6. Secure the deflector (C, Figure 5) to the deflector hinge assembly (B) using four 10-24 x 3/4 truss head screws (D) and nylock nuts (A). Insert the screws from the bottom.

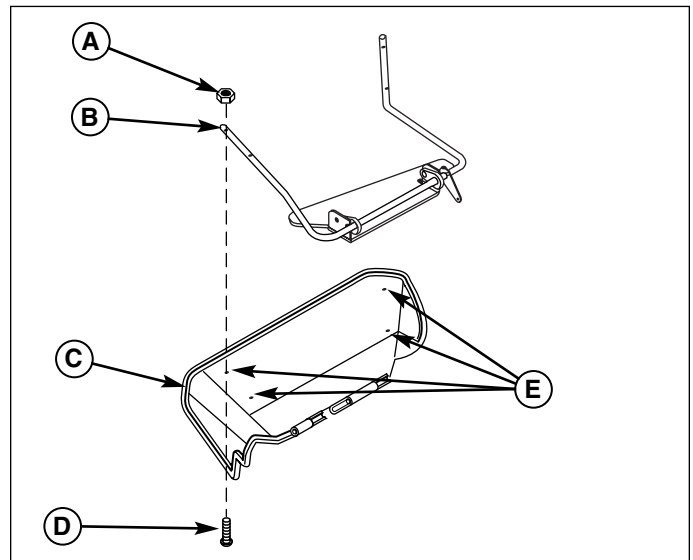


Figure 5. Assemble Deflector
A. 10-24 Locknut
B. Hinge Assembly
C. Deflector
D. 10-24 x 3/4 Truss Head Screw
E. 13/64 Holes

7. Install the new deflector and hinge assembly.

Secure the front of the hinge bracket using a new 1/4-20 x 1-1/4 carriage bolt (B, Figure 6), one tapered spacer (D), lockwasher, and nut (E).

Secure the back of the hinge bracket using a new 1/4-20 x 2-1/4 capscrew (A), 13/16 x 1 cylinder spacer (F), tapered spacer (D), and original lockwasher and nut (E).

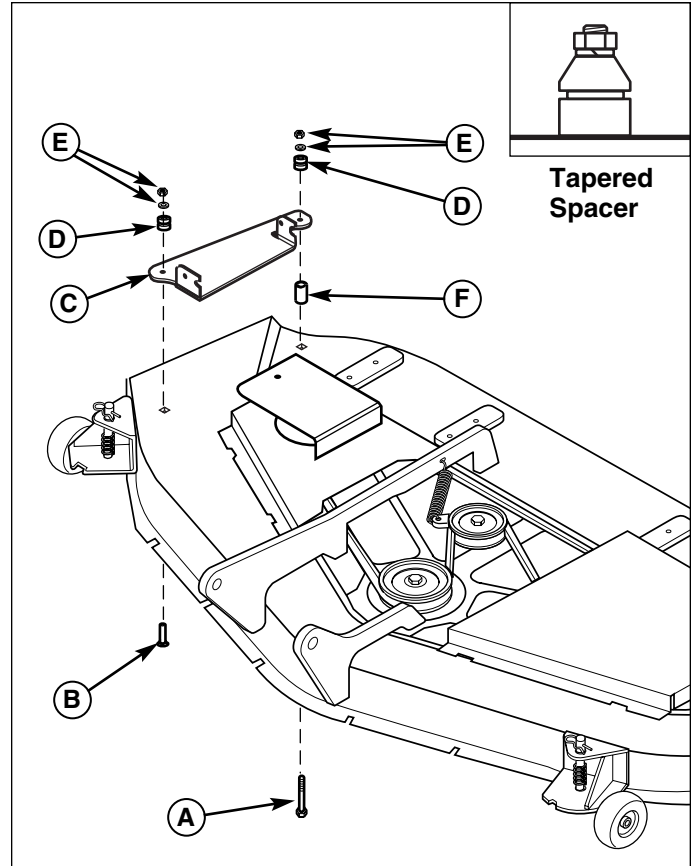


Figure 6. Install Deflector and Hinge Assembly

- A. 1/4-20 x 2-1/4 Capscrew
- B. 1/4-20 x 1-1/4 Carriage Bolt
- C. Hinge & Deflector (Deflector Removed for Clarity)
- D. Tapered Spacer
- E. Original Lockwasher and Nut
- F. 5/8 x 1 Cylinder Spacer

8. Install the deflector spring (B, Figure 7). Attach the centered leg to the deflector arm (C). Attach the offset leg to the spring anchor (A).

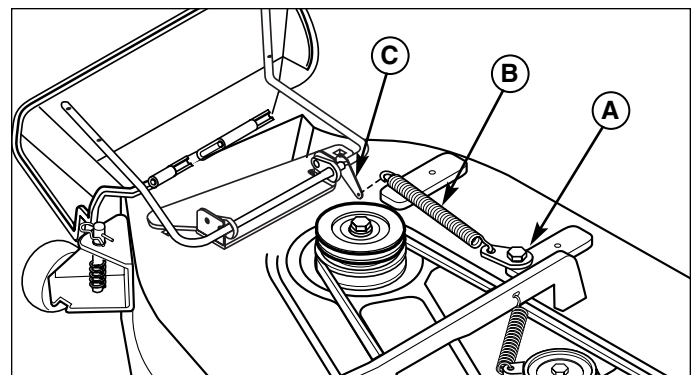


Figure 7. Connect Deflector Spring

- A. Spring Anchor
- B. Spring
- C. Deflector Arm

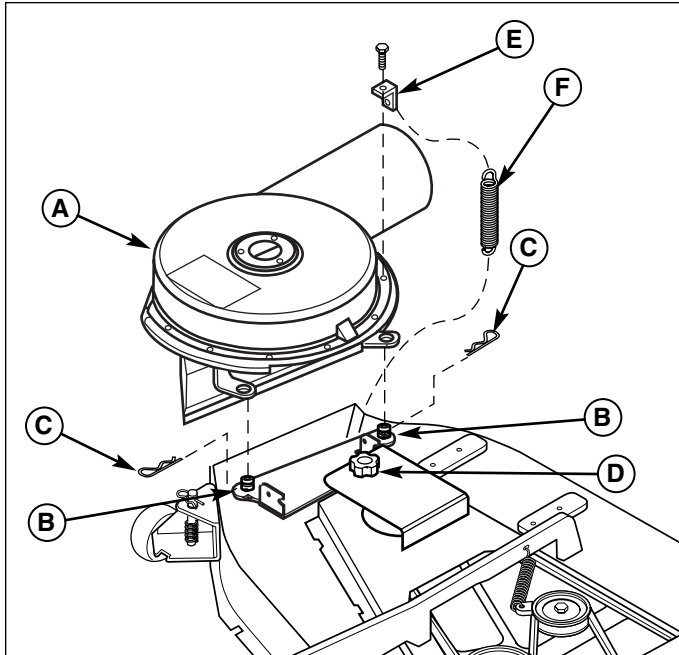


Figure 8. Install Turbo

- | | |
|------------------------------|------------------------|
| A. Turbo Blower Assy. | D. Plastic Knob |
| B. Tapered Spacers | E. Bracket |
| C. Spring Clips | F. Spring |

Install Turbo Blower

1. Install the turbo blower assembly. Insert the tapered spacers (B, Figure 8) through the bottom of the blower housing (A).
2. Install one spring clip (C) on both tapered spacers (B).
3. Hook the bottom of the turbo on the bottom hook bracket.
4. Use the release lever to release tension on the belt, and install the belt on the new arbor pulley (see Figure 9).
5. Rotate the belt cover into position and secure with the plastic knob (D, Figure 8).
6. If not already done, install the bracket (E) using the existing capscrew.
7. Install the spring (F). Connect the top of the spring to the bracket (E) and the bottom to the hole in the mower deck shell, just behind the discharge opening.

Install Baffles

1. Remove and discard the existing baffle from the left side of the mower. It is replaced by turbo baffles.
2. Install the left (23-1/2" long) baffle and right (26-1/2") front baffle (B & C, Figure 10) using six 5/16-18 x 3/4 carriage bolts (A), lockwashers, and nuts (D). Be sure the bolts are inserted fully into the slots in the mower deck.

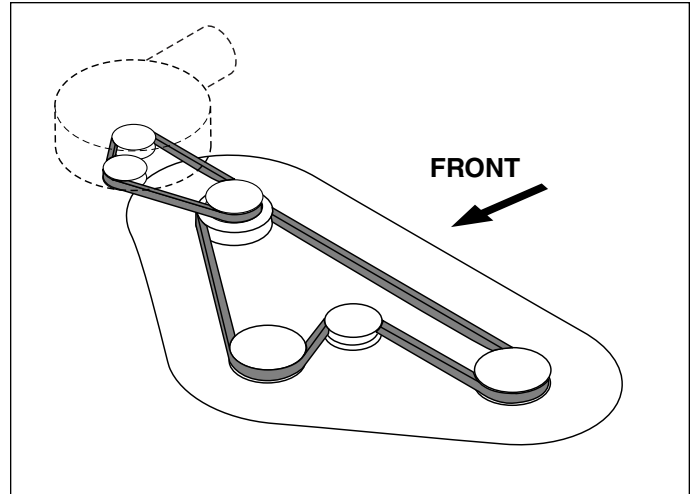


Figure 9. Belt Routing

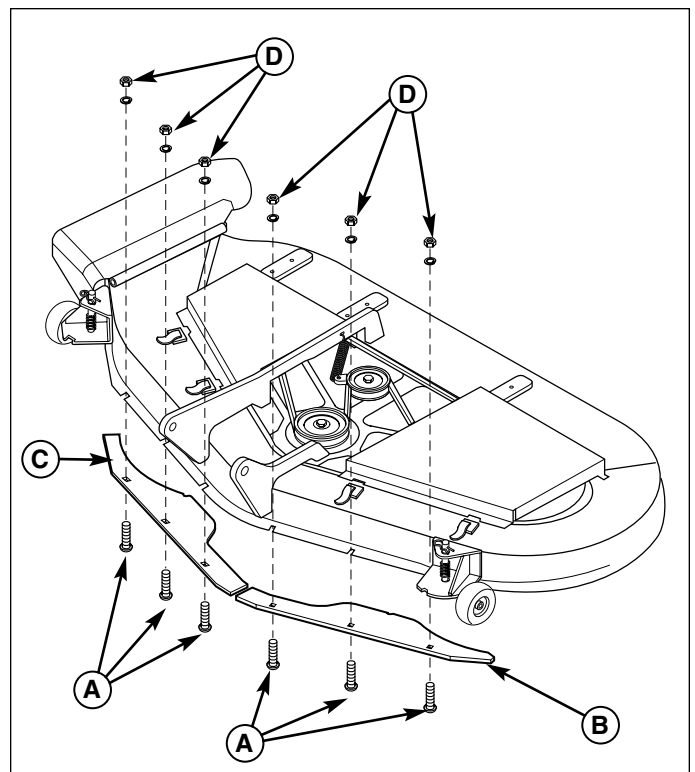


Figure 10. Install Front Baffles

- | |
|---|
| A. 5/16-18 x 3/4 Carriage Bolts |
| B. Left Front Baffle (23-1/2" Long) |
| C. Right Front Baffle (26-1/2" Long) |
| D. 5/16-18 Nut and Lockwasher |

NORMAL INSTALLATION AND REMOVAL

Installation

1. Insert the tapered spacers (B, Figure 11) through the bottom of the blower housing (A).
2. Install one spring clip (C) on each of tapered spacers (B).
3. Hook the bottom of the turbo on the bottom hook bracket.
4. Use the release lever to release tension on the belt, and install the belt on the arbor pulley (see Figure 12).
5. Rotate the belt cover into position and secure with the plastic knob (D, Figure 11).
6. Install the spring (F). Connect the top of the spring to the bracket (E) and the bottom to the hole in the mower deck shell, just behind the discharge opening.

WARNING

The deflector must be properly installed in the down position and retained by the spring. Do not operate the unit without a deflector.

Removal

1. Remove the spring (F, Figure 11).
2. Loosen the plastic knob (D, Figure 11).
3. Use the release lever to release tension on the belt, and remove the belt from the arbor pulley (Figure 12).
4. Remove the spring clips (C, Figure 11) from the tapered spacers (B).
5. Remove the turbo assembly (A) from the deck.
6. Close the small belt cover and secure with the plastic knob (D, Figure 11).
7. Return the deflector to the down position.

NOTE: The baffles (Figure 10) do not need to be removed.

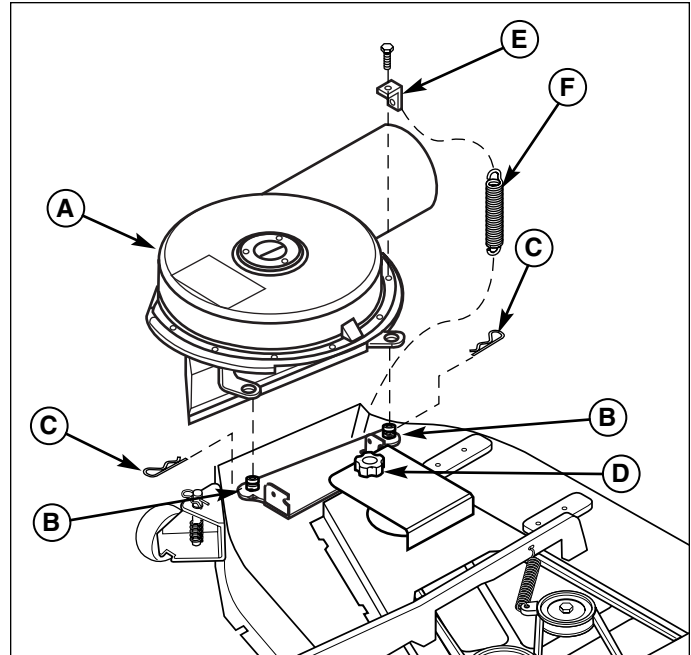


Figure 11. Install Turbo

- A. Turbo Blower Assy.
- B. Tapered Spacers
- C. Spring Clips
- D. Plastic Knob
- E. Bracket
- F. Spring

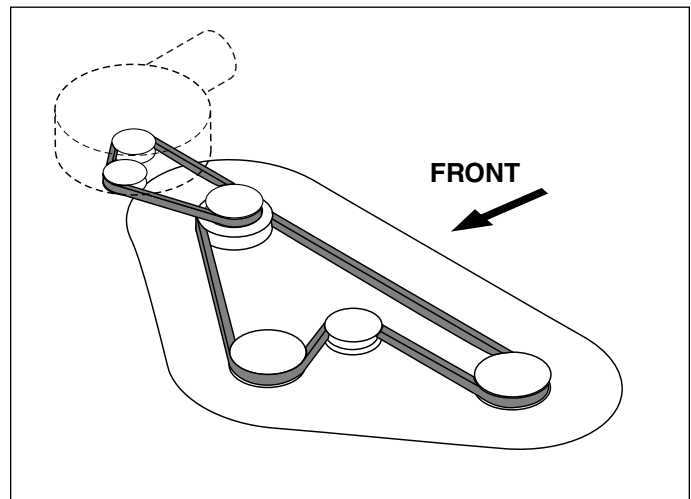


Figure 12. Install Turbo

Simplicity

MANUFACTURING, INC.

500 N Spring Street / PO Box 997
Port Washington, WI 53074-0997 USA

Form No. 1720927-06

Rev. 03/2007

© 2007 Briggs and Stratton, Inc. All Rights Reserved
TP 200-2325-06-AT-SMA