

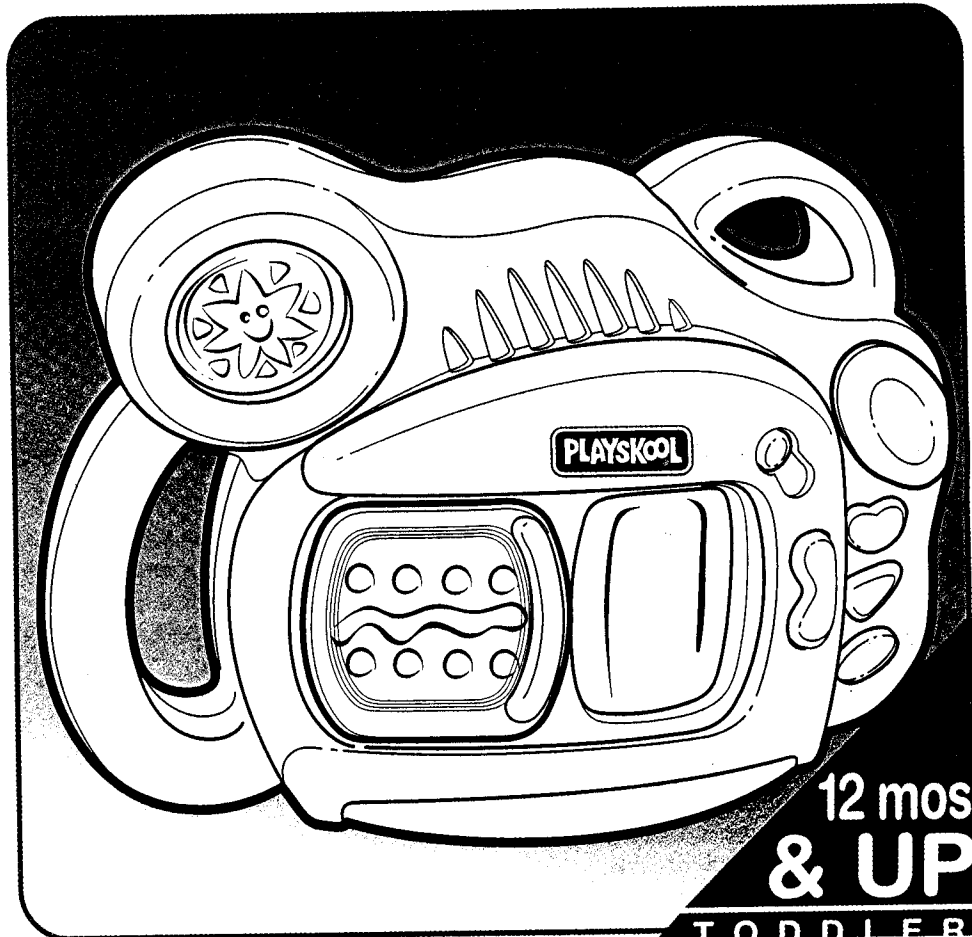


Baby Pictures™ Camera

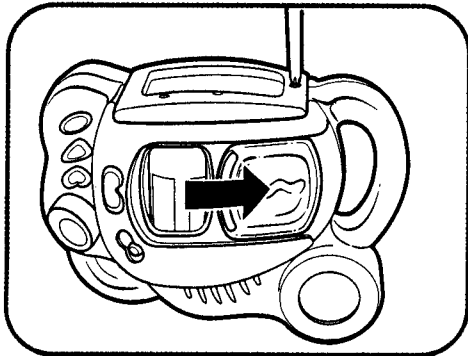
Thank you for purchasing this Playskool® toy!

WARNING: To avoid a strangulation hazard: Do not attach a strap or cord to the camera.

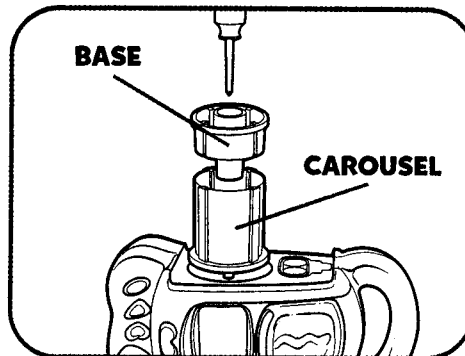
Includes toy with 2 "AA" batteries and instructions. Phillips screwdriver (not included) needed for battery replacement.



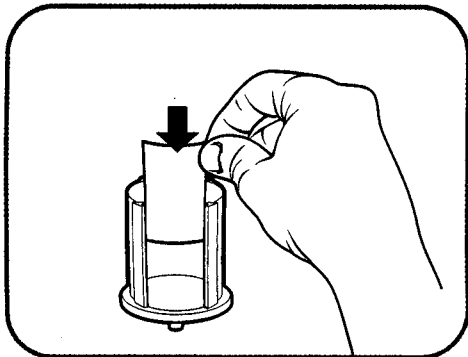
TO INSERT PHOTOGRAPHS:



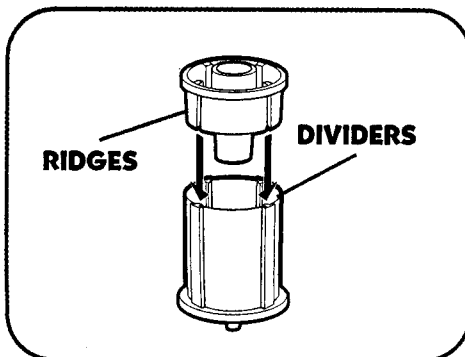
1. Slide lens cover open if necessary. Use a Phillips screwdriver to loosen screw securing compartment door and remove door (screw will remain attached to door).



2. Remove photo carousel from compartment. (Note: Batteries may also slide out of their compartment.) Use a Phillips screwdriver to loosen screw attaching base to carousel (screw will remain attached to base).



3. Remove existing photos from carousel. Use them as templates to trim your own photos to the correct size. Slide photos into carousel as shown. Make sure you insert them in the correct position. NOTE: Do not use self-developing photographs.



4. To re-insert base into carousel, align ridges on base with dividers on carousel, and slide base in. Tighten screw with a screwdriver.

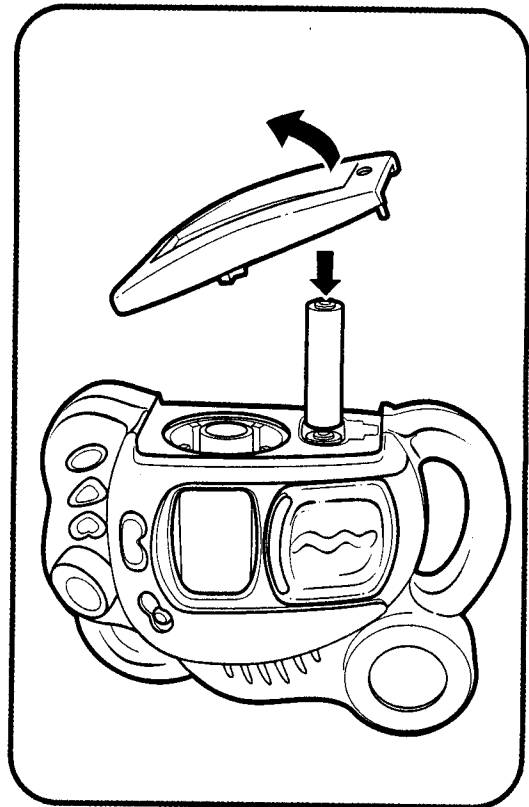
5. Re-insert carousel into compartment. Turn carousel to make sure it is correctly seated in compartment: if correctly seated, only one photo appears in lens. (Also, door won't fit correctly onto camera if carousel isn't correctly inserted). Replace door and tighten screw with screwdriver.

TO REPLACE BATTERIES:

Use a Phillips screwdriver to loosen screw securing compartment door and remove door (screw will remain attached to door). Remove and discard the batteries.

(Note: Photo carousel may also slide out of its compartment.)

Insert 2 fresh "AA" batteries into battery compartment. Replace door and tighten screw with screwdriver.



CAUTION: TO AVOID BATTERY LEAKAGE

1. Be sure to insert the batteries correctly and always follow the toy and battery manufacturers' instructions;
2. Do not mix old and new batteries or alkaline, standard (carbon-zinc) or rechargeable (nickel-cadmium) batteries;
3. Always remove weak or dead batteries from the product.

FCC STATEMENT

This equipment has been tested and found to comply with the limits for a Class B digital device, pursuant to Part 15 of the FCC Rules. These limits are designed to provide reasonable protection against harmful interference in a residential installation. This equipment generates, uses and can radiate radio frequency energy, and, if not installed and used in accordance with the instructions, may cause harmful interference to radio communications. However, there is no guarantee that interference will not occur in a particular installation. If this equipment does cause harmful interference to radio or television reception, which can be determined by turning the equipment off and on, the user is encouraged to try to correct the interference by one or more of the following measures:

- Reorient or relocate the receiving antenna.
- Increase the separation between the equipment and the receiver.
- Consult the dealer or an experienced radio/TV technician for help.

Changes or modifications not expressly approved by the party responsible for compliance could void the user's authority to operate the equipment.