

# aiwa

## CR-LA35

RADIO RECEIVER

### OPERATING INSTRUCTIONS

AIWA CO.,LTD.

 <http://www.aiwa.co.jp>

8B-RCE-902-01  
010626ATA-OX

ENGLISH

## PRECAUTIONS

### To maintain good performance

Do not use the unit in places which are extremely hot, cold, dusty or humid.

In particular, do not keep the unit:

- in a high humidity area such as a bathroom
- near a heater
- in an area exposed to direct sunlight (inside a parked car, where there could be a considerable rise in temperature)

### Notes on listening with the headphones

- Listen at moderate volumes to avoid hearing damage.
- Do not wear the headphones while driving or cycling. It may create a traffic hazard.
- You should use extreme caution or temporarily discontinue use in potentially hazardous situations, such as walking, jogging, etc.
- Wear them properly: L is left, R is right.

## TO INSERT DRY CELL BATTERY

→ **A**

Insert an R03 (size AAA) battery with the **+** and **-** marks properly aligned.

- You can fix the unit with the clip **a**.

### Battery replacement

Replace the battery when the sound becomes distorted.

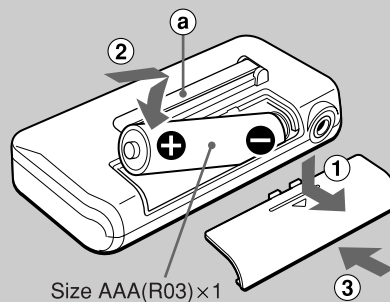
### Battery life (EIAJ 0.2 mW)

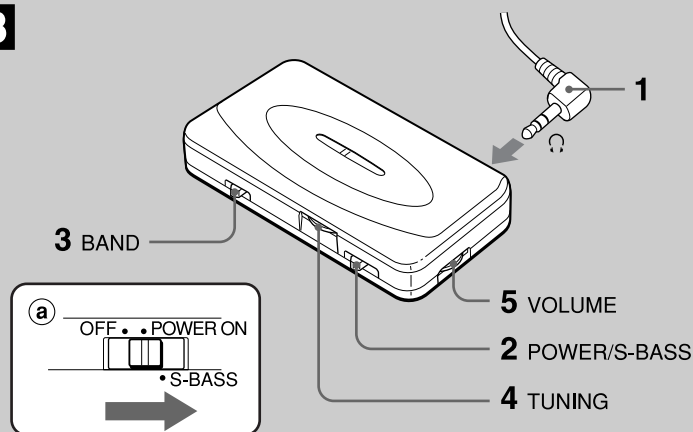
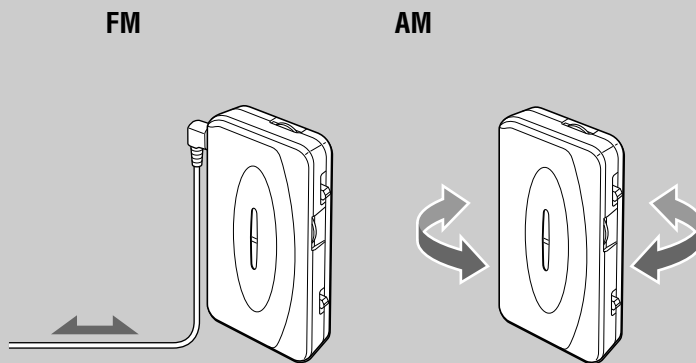
Batteries	LR03 alkaline	R03 manganese
AM	Approx. 48 hours	Approx. 24 hours
FM	Approx. 42 hours	Approx. 20 hours

### Notes on dry cell battery

- Make sure that the **+** and **-** marks are correctly aligned.
- Never recharge the battery, apply heat to it or take it apart.
- When not using the battery, remove it to prevent needless wear.
- If liquid leaks from the battery, wipe thoroughly to remove.

**A**



**B****C****ENGLISH****RADIO RECEPTION → B**

- 1 Connect the supplied headphones to the jack.
- 2 Set the POWER/S-BASS switch to ON.
- 3 Select AM or FM ST (stereo).
- 4 Turn the TUNING control to tune in to a station.
- 5 Adjust the volume.

**After listening**

Set the POWER/S-BASS switch to OFF to turn off the power.

**To obtain powerful heavy bass → a**

Set the POWER/S-BASS\* switch to S-BASS to emphasize the low frequencies.

\*SUPER BASS

**For better reception → C**

FM: The headphones cord functions as the FM antenna. Keep it extended.

AM: Turn the unit to find the position which gives the best reception.

**MAINTENANCE****To clean the cabinet**

Use a soft cloth lightly moistened with a mild detergent solution.

Do not use the strong solvents such as alcohol, benzine or cleaner.

**SPECIFICATIONS**

<b>Frequency range</b>	FM: 87.5 – 108 MHz AM: 530 – 1,605 kHz
<b>Maximum output</b>	7 mW + 7 mW (EIAJ 32 ohms)
<b>Power source</b>	DC 1.5 V using an R03 (size AAA) battery
<b>Output</b>	Headphones jack (Stereo mini jack)
<b>Maximum outside dimensions</b>	80.0 (W) × 40.8 (H) × 15.6 (D) mm (excluding projecting parts and controls)
<b>Weight</b>	Approx. 42 g (excluding battery)
<b>Accessories</b>	Stereo headphones (1)

The specifications and external appearance of this unit are subject to change without notice.