



# Service Manual / Manuel de Service

## 6" x 108" Oscillating Edge & Spindle Sander

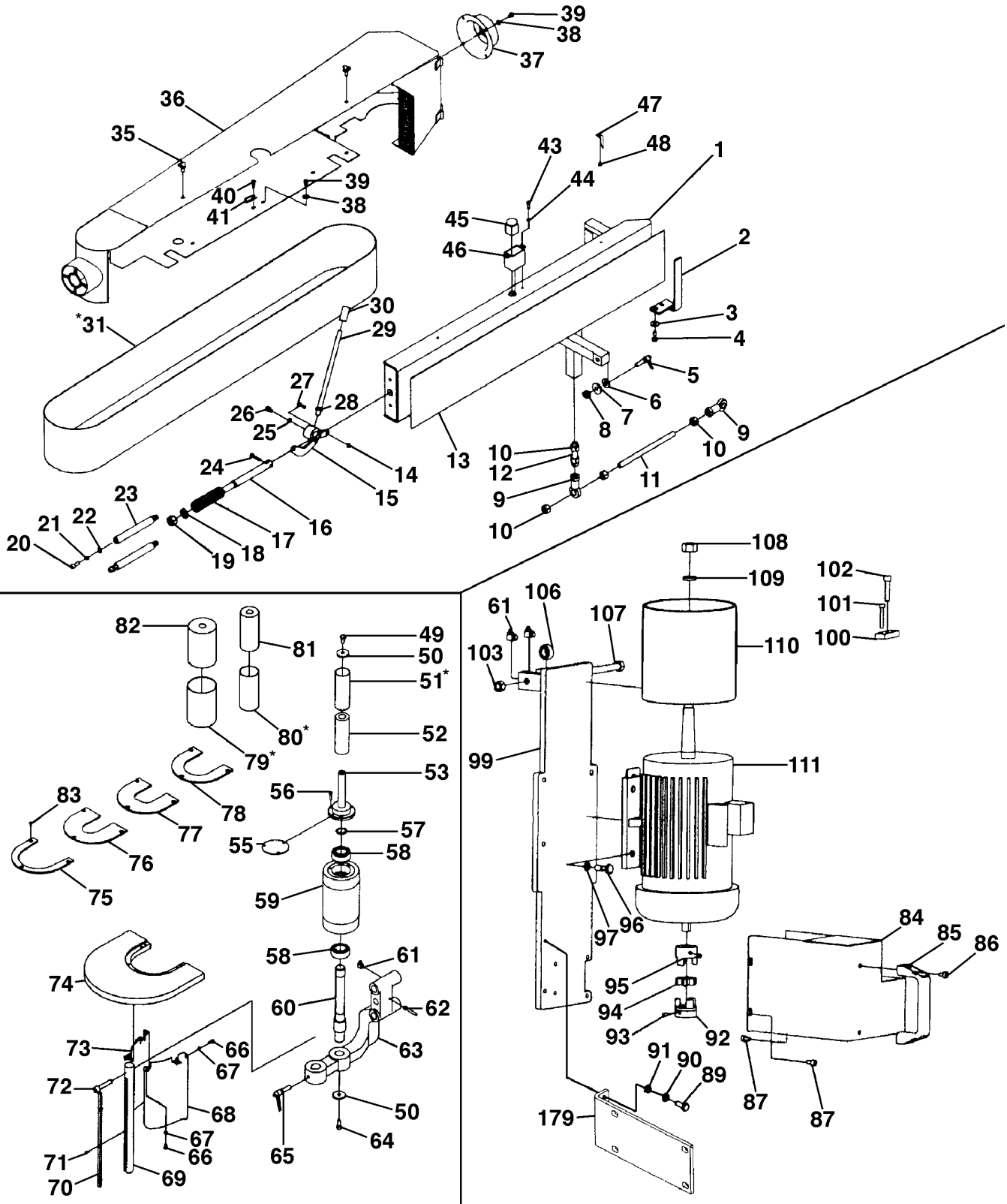
### Ponceuse de Chant Oscillante 6" x 108"



Revised/Revisé 08/2008

#### Motor & Head Diagram / Diagramme du Moteur et de la Tête

# KC-6108-OSC





# Service Manual / Manuel de Service

## 6" x 108" Oscillating Edge & Spindle Sander

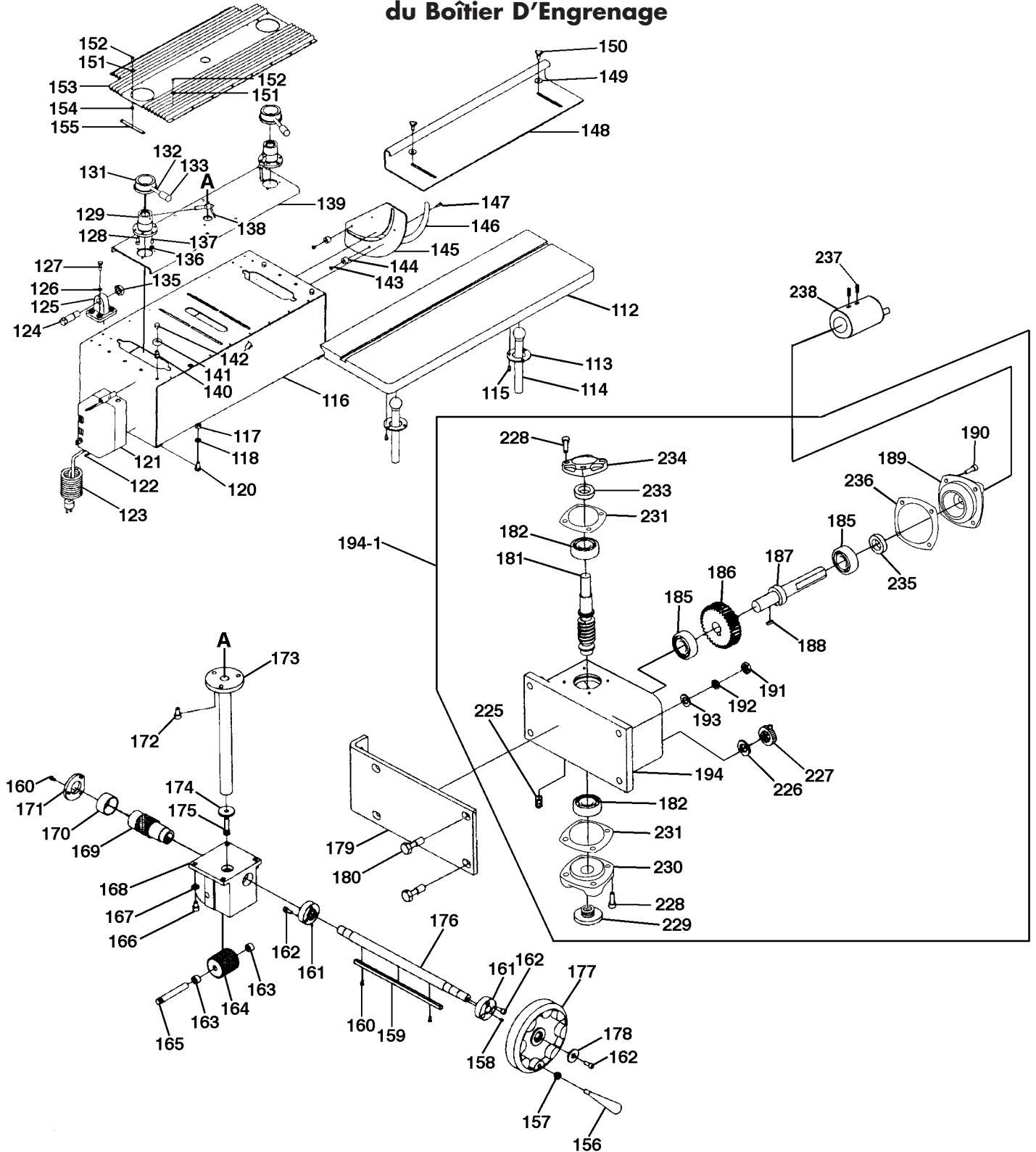
### Ponceuse de Chant Oscillante 6" x 108"



Revised/Revisé 08/2008

#### Upper Base & Gear Box Diagram / Diagramme de la Base du Haut et du Boîtier D'Engrenage

# KC-6108-OSC





# Service Manual / Manuel de Service

## 6" x 108" Oscillating Edge & Spindle Sander

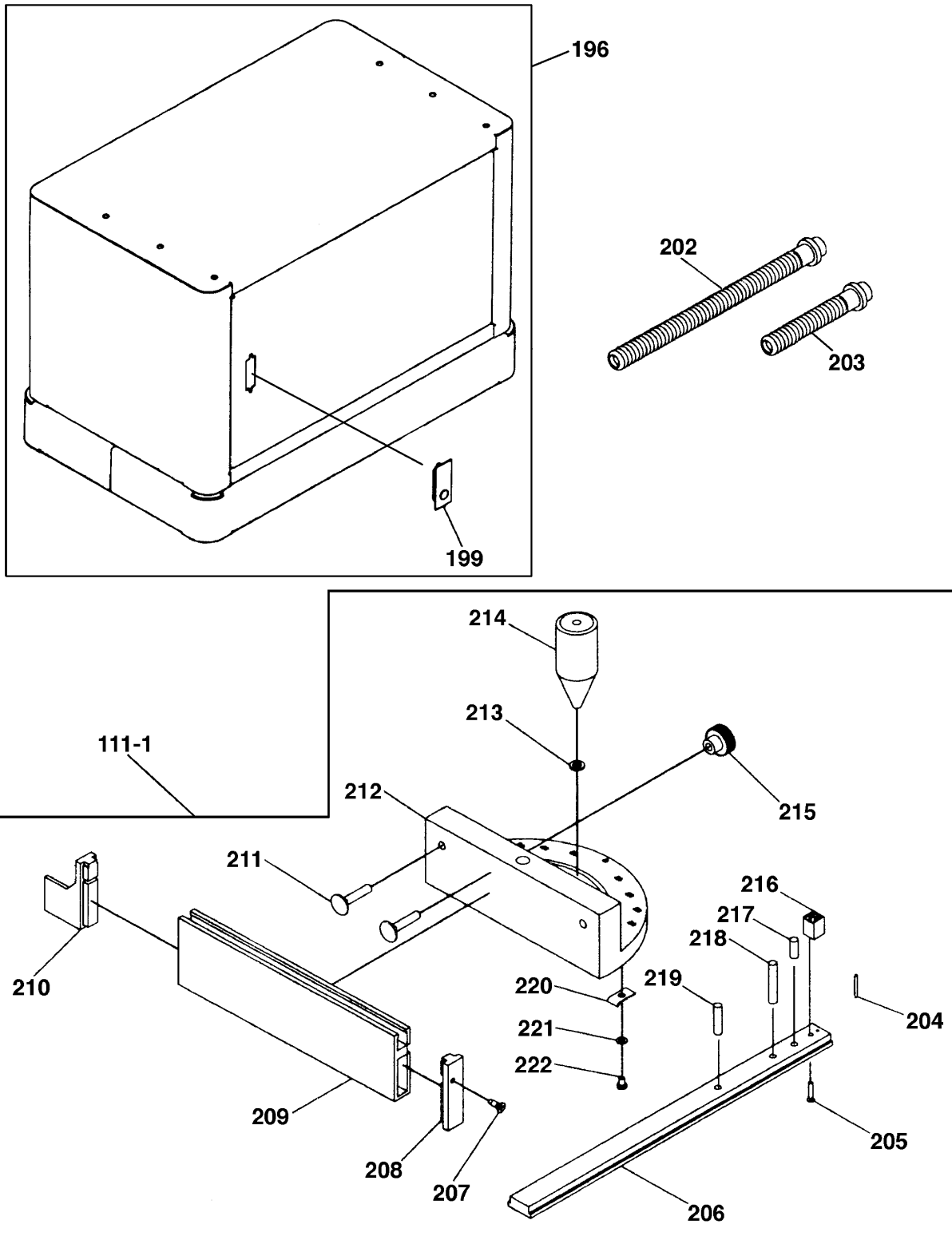
### Ponceuse de Chant Oscillante 6" x 108"



Revised/Revisé 08/2008

#### Cabinet & Mitre Gauge Diagram / Diagramme du Cabinet et du Guide à Onglets

# KC-6108-OSC





## Parts Pricing List / Liste de Prix des Pièces **KC-6108-OSC**

Diag.	Order # Com.	English Description	Description Française	Qty./Qté.	Price/Prix
1	5561080010	FRAME	CHASSIS	1	\$160.94
2	5561080020	WORK STOP	ARRET DE TRAVAIL	1	\$22.94
3	5561080030	WASHER	RONDELLE	1	\$1.55
4	5561080040	HEX. BOLT	BOULON HEXAGONAL	1	\$1.78
5	5561080050	LOCK HANDLE	POIGNEE DE VERROUILLAGE	1	\$10.29
6	5561080060	OUTER WASHER	RONDELLE EXTERIEURE	1	\$3.39
7	5561080070	INNER WASHER	RONDELLE INTERIEURE	1	\$1.67
8	5561080080	SPECIAL WASHER	RONDELLE SPECIALE	1	\$3.74
9	5561080090	ROD END BEARING	TIGE DU ROULEMENT	2	\$40.19
10	5561080100	HEX. NUT	ECROU HEXAGONAL	5	\$1.90
11	5561080110	LONG-THREADED SHAFT	TIGE FILLETEE LONGUE	1	\$6.84
12	5561080120	SHORT-THREADED SHAFT	TIGE FILLETEE COURTE	1	\$5.69
13	5561080130	GRAPHITE PAD	TAPIS EN GRAPHITE	1	\$68.94
14	5561080140	NYLON HEX. NUT	ECROU HEXAGONAL AVEC NYLON	1	\$2.13
15	5561080150	LINK PLATE	PLAQUE DE LIAISON	1	\$6.73
16	5561080160	SHAFT	TIGE	1	\$22.94
17	5561080170	SPRING	RESSORT	1	\$17.19
18	5561080180	WASHER	RONDELLE	1	\$3.28
19	5561080190	HEX. NUT	ECROU HEXAGONAL	1	\$2.47
20	5561080200	CAP SCREW	BOULON A TETE CYLINDRIQUE	4	\$1.84
21	5561080210	SPRING WASHER	RONDELLE A RESSORT	4	\$1.67
22	5561080220	WASHER	RONDELLE	4	\$1.55
23	5561080230	FIXING SHAFT	TIGE DE FIXATION	2	\$17.19
24	5561080240	SCREW	VIS	1	\$1.90
25	5561080250	LARGE WASHER	GRANDE RONDELLE	1	\$1.78
26	5561080260	CAP SCREW	BOULON A TETE CYLINDRIQUE	1	\$1.67
27	5561080270	CAP SCREW	BOULON A TETE CYLINDRIQUE	1	\$1.78
28	5561080280	HEX. NUT	ECROU HEXAGONAL	1	\$1.78
29	5561080290	TENSION LEVER BAR	TIGE DU LEVIER DE TENSION	1	\$17.19
30	5561080300	TENSION LEVER KNOB	BOUTON DU LEVIER DE TENSION	1	\$4.54
31	SB-6108	SANDING BELT	COURROIE ABRASIVE	1	-
35	5561080350	LOCK KNOB	BOUTON DE VERROUILLAGE	2	\$3.39
36	5561080360	COMPLETE SANDING BELT COVER	GARDE DE SECURITE COMPLET	1	\$149.44
37	5561080370	DUST CHUTE	SORTIE DE POUSSIERE	1	\$11.44
38	5561080380	WASHER	RONDELLE	9	\$1.55
39	5561080390	PAN HD SCREW	VIS A TETE BOMBEE	9	\$1.61
40	5561080400	PAN HD SCREW	VIS A TETE BOMBEE	1	\$1.55
41	5561080410	WIRE HOLDER	ATTACHE CORDON	1	\$2.93
43	5561080430	PAN HD SCREW	VIS A TETE BOMBEE	2	\$1.55
44	5561080440	HEX. NUT	ECROU HEXAGONAL	2	\$1.55
45	5561080450	EMERGENCY STOP BUTTON	BOUTON D'ARRET D'URGENCE	1	\$57.44
46	5561080460	EMERGENCY STOP BUTTON HOUSING	BOITIER DU BOUTON D'ARRET D'URG.	1	\$6.84
47	5561080470	ANGLE POINTER	INDICATEUR D'ANGLE	1	\$4.54
48	5561080480	PAN HD SCREW	VIS A TETE BOMBEE	1	\$1.55
49	5561080490	CAP SCREW	BOULON A TETE CYLINDRIQUE	1	\$1.73
50	5561080500	LARGE WASHER	GRANDE RONDELLE	2	\$2.59
51	SL-415-K	SANDING SLEEVE	MANCHON ABRASIF	1	-

Pricing subject to change without prior notice. / Prix sujet à changement sans préavis.



## Parts Pricing List / Liste de Prix des Pièces **KC-6108-OSC**

Diag.	Order # Com.	English Description	Description Française	Qty./Qté.	Price/Prix
52	5561080520	1-1/2" SANDING DRUM	TAMBOUR A MANCHON 1-1/2"	1	\$17.19
53	5561080530	SANDING DRUM SPINDLE	ARBRE A TAMBOUR	1	\$34.44
55	5561080550	IDLER ROLLER ROUND PLATE	PLAQUE RONDE DU ROULEAU	1	\$10.29
56	5561080560	CAP SCREW	BOULON A TETE CYLINDRIQUE	3	\$2.01
57	5561080570	RETAINING RING/SHAFT	ANNEAU DE RETENU/TIGE	1	\$2.36
58	5561080580	BALL BEARING	ROULEMENT A BILLES	2	\$33.29
59	5561080590	IDLER ROLLER	ROULEAU NON-COMMANDE	1	\$103.44
60	5561080600	IDLER ROLLER SPINDLE SHAFT	ARBRE DU ROULEAU NON-COMMANDE	1	\$40.19
61	5561080610	GREASE FITTING	RACCORD DE GRAISSE	4	\$3.39
62	5561080620	CAP SCREW	BOULON A TETE CYLINDRIQUE	1	\$2.88
63	5561080630	IDLER ROLLER SUPPORT	SUPPORT DU ROULEAU	1	\$91.94
64	5561080640	CAP SCREW	BOULON A TETE CYLINDRIQUE	1	\$1.84
65	5561080650	LOCK HANDLE	POIGNEE DE VERROUILLAGE	1	\$11.44
66	5561080660	PAN HD SCREW	VIS A TETE BOMBEE	6	\$1.55
67	5561080670	WASHER	RONDELLE	6	\$1.67
68	5561080680	RIGHT GUARD FOR END TABLE	GARDE DROIT/TABLE DU BOUT	1	\$5.69
69	5561080690	END TABLE SUPPORT SHAFT	TIGE DE SUPPORT/TABLE DU BOUT	1	\$22.94
70	5561080700	SPECIAL KEY	CLE DE RETENUE SPECIALE	1	\$6.84
71	5561080710	CAP SCREW	BOULON A TETE CYLINDRIQUE	3	\$1.90
72	5561080720	CAP SCREW	BOULON A TETE CYLINDRIQUE	1	\$1.96
73	5561080730	LEFT GUARD FOR END TABLE	GARDE GAUCHE DE LA TABLE/BOUT	1	\$5.69
74	5561080740	END TABLE	TABLE DU BOUT	1	\$63.19
75	5561080750	END TABLE INSERT	INSERTION DE LA TABLE DU BOUT	1	\$13.74
76	5561080760	END TABLE INSERT (1-1/2")	INSERTION DE LA TABLE/BOUT (1-1/2")	1	\$13.74
77	5561080770	END TABLE INSERT (2")	INSERTION DE LA TABLE DU BOUT (2")	1	\$12.59
78	5561080780	END TABLE INSERT (3")	INSERTION DE LA TABLE DU BOUT (3")	1	\$13.74
79	SL-430-K	SANDING SLEEVE	MANCHON ABRASIF	1	-
80	SL-420-K	SANDING SLEEVE	MANCHON ABRASIF	1	-
81	5561080810	2" SANDING DRUM	TAMBOUR A MANCHON 2"	1	\$40.19
82	5561080820	3" SANDING DRUM	TAMBOUR A MANCHON 3"	1	\$68.94
83	5561080830	COUNTERSUNK HD SCREW	VIS A TETE FRAISEE	3	\$1.55
84	5561080840	GEAR BOX COVER	COUVERCLE DU BOITIER D'ENGR.	1	\$34.44
85	5561080850	HANDLE	POIGNEE	1	\$5.69
86	5561080860	CAP SCREW	BOULON A TETE CYLINDRIQUE	2	\$2.24
87	5561080870	CAP SCREW	BOULON A TETE CYLINDRIQUE	4	\$2.47
89	5561080890	CAP SCREW	BOULON A TETE CYLINDRIQUE	2	\$1.78
90	5561080900	SPRING WASHER	RONDELLE A RESSORT	2	\$1.67
91	5561080910	WASHER	RONDELLE	2	\$1.55
92	5561080920	LOWER SPINDLE CONNECTOR	CONNECTEUR DE L'ARBRE INFERIEUR	1	\$17.19
93	5561080930	SET SCREW	VIS SANS TETE	2	\$1.90
94	5561080940	RUBBER SPINDLE CONNECTOR	CONNECTEUR EN CAOUTCHOUC	1	\$9.14
95	5561080950	UPPER SPINDLE CONNECTOR	CONNECTEUR DE L'ARBRE SUPERIEUR	1	\$16.04
96	5561080960	HEX. BOLT	BOULON HEXAGONAL	4	\$2.01
97	5561080970	SPRING WASHER	RONDELLE A RESSORT	4	\$1.55
99	5561080990	MOTOR BRACKET	SUPPORT A MOTEUR	1	\$201.19
100	5561081000	DRUM PULLER PLATE	PLAQUE D'ENLEVEMENT DU ROULEAU	1	\$5.46
101	5561081010	CAP SCREW	BOULON A TETE CYLINDRIQUE	2	\$2.88

Pricing subject to change without prior notice. / Prix sujet à changement sans préavis.



## Parts Pricing List / Liste de Prix des Pièces **KC-6108-OSC**

Diag.	Order # Com.	English Description	Description Française	Qty./Qté.	Price/Prix
102	5561081020	CAP SCREW	BOULON A TETE CYLINDRIQUE	1	\$1.90
103	5561081030	SPECIAL NUT	ECROU SPECIAL	1	\$2.59
106	5561081060	THRUST BEARING	ROULEMENT A BUTEE	2	\$28.69
107	5561081070	SPECIAL HEX. BOLT	BOULON HEXAGONAL SPECIAL	1	\$4.54
108	5561081080	SPECIAL NUT	ECROU SPECIAL	1	\$3.16
109	5561081090	SPRING WASHER	RONDELLE A RESSORT	1	\$2.01
110	5561081100	DRIVE ROLLER	ROULEAU D'ENTRAINEMENT	1	\$149.44
111	5561081110	MOTOR	MOTEUR	1	\$684.25
111-1	5561081111	MITER GAUGE ASSEMBLY	GUIDE A ONGLETS ASSEMBLE	1	\$80.44
112	5561081120	FRONT TABLE	TABLE AVANT	1	\$339.25
113	5561081130	SUPPORT PLATE	PLAQUE A SUPPORT	2	\$11.44
114	5561081140	TABLE SUPPORT	SUPPORT DE LA TABLE	2	\$28.69
115	5561081150	CAP SCREW	BOULON A TETE CYLINDRIQUE	6	\$1.67
116	5561081160	UPPER BASE	BASE SUPERIEURE	1	\$143.69
117	5561081170	HEX. NUT	ECROU HEXAGONAL	6	\$1.73
118	5561081180	SPRING WASHER	RONDELLE A RESSORT	6	\$1.55
120	5561081200	HEX. BOLT	BOULON HEXAGONAL	6	\$1.90
121	5561081210	MAGNETIC SWITCH	INTERRUPTEUR MAGNETIQUE	1	\$201.19
122	5561081220	PAN HD SCREW	VIS A TETE BOMBEE	2	\$1.55
123	5561081230	POWER CORD	CORDON D'ALIMENTATION	1	\$22.94
124	5561081240	SPECIAL BOLT	BOULON SPECIAL	2	\$9.14
125	5561081250	SWIVEL BRACKET	SUPPORT DE PIVOTEMENT	2	\$20.64
126	5561081260	SPRING WASHER	RONDELLE A RESSORT	8	\$1.67
127	5561081270	CAP SCREW	BOULON A TETE CYLINDRIQUE	8	\$1.84
128	5561081280	CAP SCREW	BOULON A TETE CYLINDRIQUE	6	\$1.73
129	5561081290	COMPLETE TABLE NUT	ECROU DE LA TABLE COMPLET	2	\$45.94
131	5561081310	LOCK NUT	ECROU DE VERROUILLAGE	2	\$22.94
132	5561081320	LEVER SHAFT	TIGE DU LEVIER	2	\$10.29
133	5561081330	LEVER KNOB	BOUTON DU LEVIER	2	\$5.69
135	5561081350	NYLON HEX. NUT	ECROU HEXAGONAL AVEC NYLON	2	\$2.82
136	5561081360	HEX. NUT	ECROU HEXAGONAL	6	\$1.61
137	5561081370	SET SCREW	VIS SANS TETE	6	\$2.01
138	5561081380	LOCK HANDLE	POIGNEE DE VERROUILLAGE	2	\$13.74
139	5561081390	ADJUSTMENT PLATE	PLAQUE D'AJUSTEMENT	1	\$51.69
140	5561081400	SPECIAL BOLT	BOULON SPECIAL	8	\$3.39
141	5561081410	BALL BEARING	ROULEMENT A BILLES	8	\$13.74
142	5561081420	ACORN HEX. NUT	ECROU A CAPUCHON	8	\$1.90
143	5561081430	NYLON HEX. NUT	ECROU HEXAGONAL AVEC NYLON	4	\$2.13
144	5561081440	BUSHING SHIM	ESPACEUR POUR BAGUE	4	\$3.74
145	5561081450	SCALE PLATE	PLAQUE DE L'ECHELLE D'ANGLE	1	\$20.64
146	5561081460	ANGLE SCALE	ECHELLE D'ANGLE	1	\$5.69
147	5561081470	COUNTERSUNK HD SCREW	VIS A TETE FRAISEE	4	\$2.13
148	5561081480	FENCE	GUIDE	1	\$57.44
149	5561081490	WASHER	RONDELLE	2	\$1.67
150	5561081500	LOCK KNOB	BOUTON DE VERROUILLAGE	2	\$5.69
151	5561081510	WASHER	BOUTON DE VERROUILLAGE	19	\$1.67
152	5561081520	PAN HD SCREW	VIS A TETE BOMBEE	19	\$1.61

Pricing subject to change without prior notice. / Prix sujet à changement sans préavis.



## Parts Pricing List / Liste de Prix des Pièces **KC-6108-OSC**

Diag.	Order # Com.	English Description	Description Française	Qty./Qté.	Price/Prix
153	5561081530	EXTENDABLE COVER	COUVERCLE EXTENSIBLE	1	\$48.24
154	5561081540	SPACER	ESPACEUR	4	\$4.54
155	5561081550	FIXING PLATE	PLAQUE DE FIXATION	4	\$5.69
156	5561081560	HANDLE	POIGNEE	1	\$11.44
157	5561081570	HEX. NUT	ECROU HEXAGONAL	1	\$1.61
158	5561081580	KEY	CLE DE RETENUE	1	\$1.90
159	5561081590	SPECIAL KEY	CLE DE RETENUE SPECIALE	1	\$2.93
160	5561081600	CAP SCREW	BOULON A TETE CYLINDRIQUE	6	\$1.90
161	5561081610	SHAFT CENTER BUSHING	BAGUE DU CENTRE DE LA TIGE	2	\$32.14
162	5561081620	CAP SCREW	BOULON A TETE CYLINDRIQUE	7	\$2.01
163	5561081630	BUSHING	BAGUE	2	\$5.69
164	5561081640	GEAR	ENGRENAGE	1	\$45.94
165	5561081650	SHAFT	TIGE	1	\$11.44
166	5561081660	CAP SCREW	BOULON A TETE CYLINDRIQUE	4	\$1.73
167	5561081670	SPRING WASHER	RONDELLE A RESSORT	4	\$1.67
168	5561081680	HOUSING	BOITIER	1	\$103.44
169	5561081690	GEAR	ENGRENAGE	1	\$57.44
170	5561081700	BRASS BUSHING	BAGUE EN LAITON	1	\$68.94
171	5561081710	PLATE	PLAQUE	1	\$7.99
172	5561081720	CAP SCREW	BOULON A TETE CYLINDRIQUE	3	\$1.84
173	5561081730	ELEVATION SHAFT	TIGE D'ELEVATION	1	\$34.44
174	5561081740	LARGE WASHER	GRANDE RONDELLE	1	\$3.74
175	5561081750	HEX. BOLT	BOULON HEXAGONAL	1	\$1.67
176	5561081760	SHAFT	TIGE	1	\$45.94
177	5561081770	HANDWHEEL	MANIVELLE	1	\$68.94
178	5561081780	WASHER	RONDELLE	1	\$1.61
179	5561081790	GEAR BOX PLATE	PLAQUE DU BOITIER D'ENGRENAGE	1	\$28.69
180	5561081800	HEX. BOLT	BOULON HEXAGONAL	4	\$1.90
181	5561081810	WORM GEAR SHAFT	TIGE AVEC ENGRENAGE SANS FIN	1	\$57.44
182	5561081820	BALL BEARING	ROULEMENT A BILLES	2	\$11.44
185	5561081850	BALL BEARING	ROULEMENT A BILLES	2	\$12.59
186	5561081860	GEAR	ENGRENAGE	1	\$40.19
187	5561081870	SHAFT	TIGE	1	\$45.94
188	5561081880	KEY	CLE DE RETENUE	1	\$2.01
189	5561081890	GEAR BOX MAIN COVER	COUVERCLE PRINCIPAL DU BOITIER	1	\$28.69
190	5561081900	CAP SCREW	BOULON A TETE CYLINDRIQUE	4	\$1.73
191	5561081910	HEX. NUT	ECROU HEXAGONAL	4	\$1.61
192	5561081920	SPRING WASHER	RONDELLE A RESSORT	4	\$1.61
193	5561081930	WASHER	RONDELLE	4	\$1.55
194	5561081940	GEAR BOX HOUSING (ONLY)	BOITIER D'ENGRENAGES (SEULEM.)	1	\$114.94
194-1	5561081941	GEAR BOX ASSEMBLY	BOITIER D'ENGRENAGE ASSEMBLE	1	\$431.25
196	5561081960	COMPLETE STAND (SPEC. ORDER)	CABINET COMPLET (COMM. SPEC.)	1	\$569.25
199	5561081990	COMPLETE DOOR LATCH	LOQUET COMPLET DE LA PORTE	1	\$11.44
202	5561082020	LONG ELECTRIC WIRE COVER	PROTEGE-CORDON LONG	2	\$10.29
203	5561082030	SHORT ELECTRIC WIRE COVER	PROTEGE-CORDON COURT	1	\$9.14
204	5561082040	SPRING PIN	GOUPILLE A RESSORT	1	\$2.01
205	5561082050	COUNTERSUNK HD TAPPING SCREW	VIS AUTOTARAUDEUSE A TETE FRAISEE	1	\$1.78

Pricing subject to change without prior notice. / Prix sujet à changement sans préavis.



## Parts Pricing List / Liste de Prix des Pièces **KC-6108-OSC**

Diag.	Order # Com.	English Description	Description Française	Qty./Qté.	Price/Prix
206	5561082060	MITER GAUGE BAR	BARRE DU GUIDE A ONGLETS	1	\$20.64
207	5561082070	COUNTERSUNK HD TAPPING SCREW	VIS AUTOTARAUDEUSE A TETE FRAISEE	1	\$1.90
208	5561082080	PLASTIC END CAP	CAPUCHON DU BOUT EN PLASTIQUE	1	\$7.99
209	5561082090	ALUMINUM FACING	FACE EN ALUMINIUM	1	\$22.94
210	5561082100	PLASTIC END CAP W/ EXTENSION	CAPUCHON DU BOUT A/RALLONGE	1	\$7.99
211	5561082110	CARRIAGE BOLT	BOULON DE CARROSSERIE	2	\$2.13
212	5561082120	MITER GAUGE BODY	CORPS DU GUIDE A ONGLET	1	\$37.89
213	5561082130	WASHER	RONDELLE	1	\$1.61
214	5561082140	HANDLE	POIGNEE	1	\$9.14
215	5561082150	LOCK KNOB	BOUTON DE VERROUILLAGE	2	\$5.69
216	5561082160	ANGLE INDICATOR	INDICATEUR D'ANGLE	1	\$6.84
217	5561082170	SHORT PIN	GOUPILLE COURTE	1	\$3.28
218	5561082180	COUNTERSUNK HD SCREW	VIS A TETE FRAISEE	1	\$1.90
219	5561082190	LONG PIN	GOUPILLE LONGUE	1	\$3.39
220	5561082200	STOPPER	ARRET	2	\$2.59
221	5561082210	WASHER	RONDELLE	2	\$1.67
222	5561082220	PAN HD SCREW	VIS A TETE BOMBEE	2	\$1.55
225	5561082250	OIL FILL SET SCREW	VIS SANS TETE / ENTREE D'HUILE	1	\$0.00
226	5561082260	O-RING	JOINT TORIQUE	1	\$2.59
227	5561082270	OIL DRAIN PLUG	BOUCHON DE L'HUILE	1	\$3.74
228	5561082280	CAP SCREW	BOULON A TETE CYLINDRIQUE	8	\$2.24
229	5561082290	OIL SIGHT GLASS	VITRE NIVEAU D'HUILE	1	\$4.89
230	5561082300	BOTTOM HOUSING COVER	COUVERCLE DU BOITIER INFERIEUR	1	\$28.69
231	5561082310	GASKET	JOINT D'ETANCHEITE	2	\$10.29
233	5561082330	OIL SEAL	JOINT D'ETANCHEITE	1	\$18.34
234	5561082340	TOP HOUSING COVER	COUVERCLE DU BOITIER SUPERIEUR	1	\$28.69
235	5561082350	OIL SEAL	JOINT D'ETANCHEITE	1	\$17.08
236	5561082360	GASKET	JOINT D'ETANCHEITE	1	\$10.29
237	5561082370	SET SCREW	VIS SANS TETE	2	\$1.90
238	5561082380	OSCILLATING ECCENTRIC	EXCENTRIQUE A OSCILLATION	1	\$14.89
	556108MBIL	BILINGUAL MANUAL KC-6108-OSC	MANUEL BILINGUE KC-6108-OSC	1	\$15.00