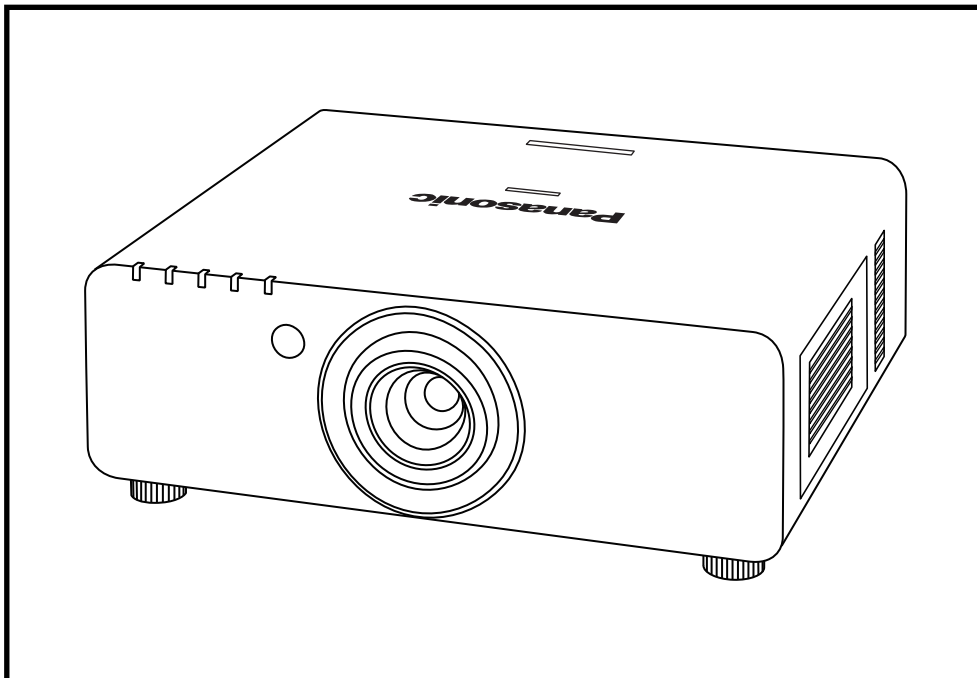

S P E C F I L E



The PT-DW6300LS and PT-DW6300LK are not equipped with a lens.

Product Number : **PT-DW6300S/DW6300K**
PT-DW6300LS/DW6300LK
Product Name : DLP™ Projectors

DLP™ Projectors **PT-DW6300S/DW6300K/DW6300LS/DW6300LK**

Specifications

Main Unit

Power supply:	North America:	120 V AC, 50/60 Hz
	Europe:	220–240 V AC, 50/60 Hz
Power consumption:	North America:	780 W (780 VA) (Standby mode eco*1: 0.2 W, Standby mode normal: 8 W. Both with fan stopped.)
	Europe:	750 W (840 VA) (Standby mode eco*1: 0.3 W, Standby mode normal: 9 W. Both with fan stopped.)
DLP™ chip:	Panel size:	0.65" diagonal (16:10 aspect ratio)
	Display method:	DLP™ chip x 1, DLP™ system
	Pixels:	1,024,000 (1,280 x 800) x 1, total of 1,024,000 pixels
Lens:	PT-DW6300S/DW6300K:	Powered zoom/focus lenses (1.8–2.4:1), F 1.7–2.0, f 25.6–33.8 mm
	PT-DW6300LS/DW6300LK:	Optional poweredzoom/focus lenses
Lamp:		300 W UHM lamps (x 2) (dual lamp system)
Screen size:		50–600 inches (50–200 inches with the ET-DLE055), 16:10 aspect ratio
Brightness*2:		6,000 lumens (dual lamp, high power mode)
Center-to-corner uniformity*2:		90%
Contrast*2:		2,000:1 (full on/full off, contrast mode: high, brightness: 3,000 lumens) 1,000:1 (full on/full off, contrast mode: normal)
Resolution:		1,280 x 800 pixels (Input signals that exceed this resolution will be converted to 1,280 x 800 pixels.)
Scanning frequency:	DVI-D:	Horizontal: 15–91 kHz, Vertical: 50–85 Hz, Dot clock: 162 MHz or lower
	RGB:	Horizontal: 15–91 kHz, Vertical: 50–85 Hz, Dot clock: 150 MHz or lower
	YPbPr (YCbCr):	525i (480i): fH 15.75 kHz; fV 60 Hz, 625i (576i): fH 15.63 kHz; fV 50 Hz, 525p (480p): fH 31.50 kHz; fV 60 Hz, 625p (576p): fH 31.25 kHz; fV 50 Hz, 750 (720)/60p: fH 45.00 kHz; fV 60 Hz, 750 (720)/50p: fH 37.50 kHz; fV 50 Hz, 1035/60i: fH 33.75 kHz; fV 60 Hz, 1125 (1080)/60i: fH 33.75 kHz; fV 60 Hz, 1125 (1080)/50i: fH 28.13 kHz; fV 50 Hz, 1080/25p: fH 28.13 kHz; fV 25 Hz, 1080/24p: fH 27.00 kHz; fV 24 Hz, 1080/24sF: fH 27.00 kHz; fV 48 Hz, 1080/30p: fH 33.75 kHz; fV 30 Hz, 1080/60p: fH 67.50 kHz; fV 60 Hz, 1080/50p: fH 56.25 kHz; fV 50 Hz
	S-Video/Video:	Horizontal: 15.75/15.63 kHz, Vertical: 50/60 Hz, (NTSC, NTSC4.43, PAL, PAL60, PAL-N, PAL-M, SECAM)
Optical axis shift:		Vertical: +60% (powered), horizontal: ±10% (powered)
Keystone correction range:		Vertical: ±40° (±30° with the ET-DLE055)
Installation:		Ceiling/floor, front/rear
Terminals*3:	DVI-D IN:	DVI-D 24-pin x 1, DVI 1.0 compliant, HDCP compatible, for single link only 480p, 576p, 720/60p, 720/50p, 1080/60i, 1080/50i, 1080/24p, 1080/24sF, 1080/25p, 1080/30p, 1080/60p, 1080/50p, VGA (640 x 480)–WUXGA*4 (1,920 x 1,200), compatible with non-interlaced signals only, dot clock: 25–162 MHz
	RGB 1 IN:	BNC x 5
	R, G, B:	R: 0.7 Vp-p, 75 ohms, G: 0.7 Vp-p (G: 1.0 Vp-p for sync on G), 75 ohms, B: 0.7 Vp-p, 75 ohms
	Y, Pb, Pr:	HD/VD, SYNC: High impedance, TTL (positive/negative), 75 ohms Y: 1.0 Vp-p (including sync signal), Pb/Pr: 0.7 Vp-p, 75 ohms

NOTE: HD/SYNC, and VD terminals do not accept tri-level sync signals.

DLP™ Projectors **PT-DW6300S/DW6300K/DW6300LS/DW6300LK**

RGB 2 IN:	D-sub HD 15-pin x 1
R, G, B:	R: 0.7 Vp-p, 75 ohms, G: 0.7 Vp-p (G: 1.0 Vp-p for sync on G), 75 ohms, B: 0.7 Vp-p, 75 ohms HD/VD, SYNC: High impedance, TTL (positive/negative), 75 ohms NOTE: HD/SYNC, and VD terminals do not accept tri-level sync signals.
Y, PB, PR:	Y: 1.0 Vp-p (including sync signal), PB/PR: 0.7 Vp-p, 75 ohms
VIDEO IN:	BNC x 1, 1.0 Vp-p, 75 ohms
S-VIDEO IN:	Mini DIN 4-pin x 1, Y: 1.0 Vp-p, C: 0.286 Vp-p, 75 ohms
SERIAL IN:	D-sub 9-pin x 1 (RS-232C compliant) for external controller
SERIAL OUT:	D-sub 9-pin x 1 for link control
REMOTE 1 IN:	M3 jack x 1 for wired remote control
REMOTE 1 OUT:	M3 jack x 1 for link control
REMOTE 2 IN:	D-sub 9-pin x 1 for external control (parallel)
LAN:	RJ-45 x 1 for network connection, 10Base-T/100Base-TX, compliant with PJLink™
Power cord length:	3.0 m (9'10")
Cabinet materials:	Molded plastic
Dimensions (W x H x D):	PT-DW6300S/DW6300K: 498 mm x 175 mm*4 x 440 mm*5 (19-19/32" x 6-7/8" *4 x 17-5/16" *5) (with supplied lens)
	PT-DW6300LS/DW6300LK: 498 mm x 175 mm*4 x 432 mm (19-19/32" x 6-7/8" *4 x 17") (without lens)
Weight:	PT-DW6300S/DW6300K: Approx. 16.0 kg (35.3 lbs)(with supplied lens)
	PT-DW6300LS/DW6300LK: Approx. 15.2 kg (33.5 lbs)(without lens)
Operating temperature:	0°–45°C (32°–113°F)
Operating humidity:	20%–80% (no condensation)

Supplied Accessories

Power cord, Wireless/wired remote control unit, Batteries for remote control (x 2), Wire rope

Optional Accessories

Zoom lens (1.4–2.0:1)	ET-DLE150
Zoom lens (2.4–3.8:1)	ET-DLE250
Zoom lens (3.8–5.7:1)	ET-DLE350
Zoom lens (5.6–9.0:1)	ET-DLE450
Fixed-focus lens (0.8:1)	ET-DLE055
Ceiling mount bracket:	ET-PKD56H (for high ceilings) ET-PKD55S (for low ceilings)

Weights and dimensions shown are approximate. Specifications subject to change without notice.

*1 In Standby mode eco, LAN-based network functions such as the standby ON function will not operate.

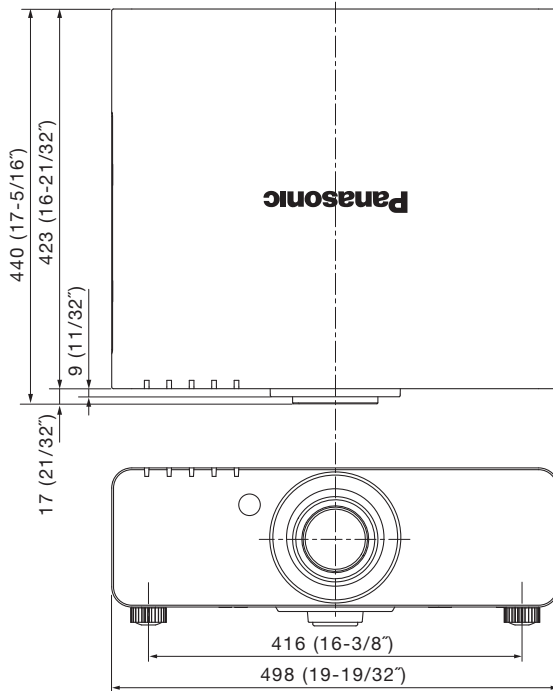
*2 Measurement, measuring conditions, and method of notation all comply with ISO 21118 international standards.

*3 The HD/SYNC and VD inputs do not accept the tri-level sync signal.

*4 With legs at shortest position.

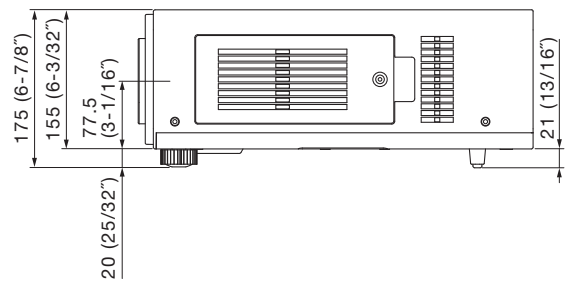
*5 Including the supplied lens.

Dimensions

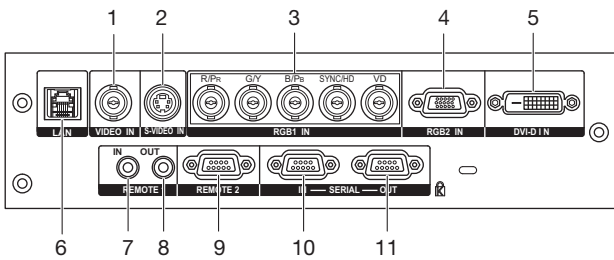


unit : mm (inch)

NOTE: This illustration is not drawn to scale.
The illustration shows the PT-DW6300S/DW6300K.

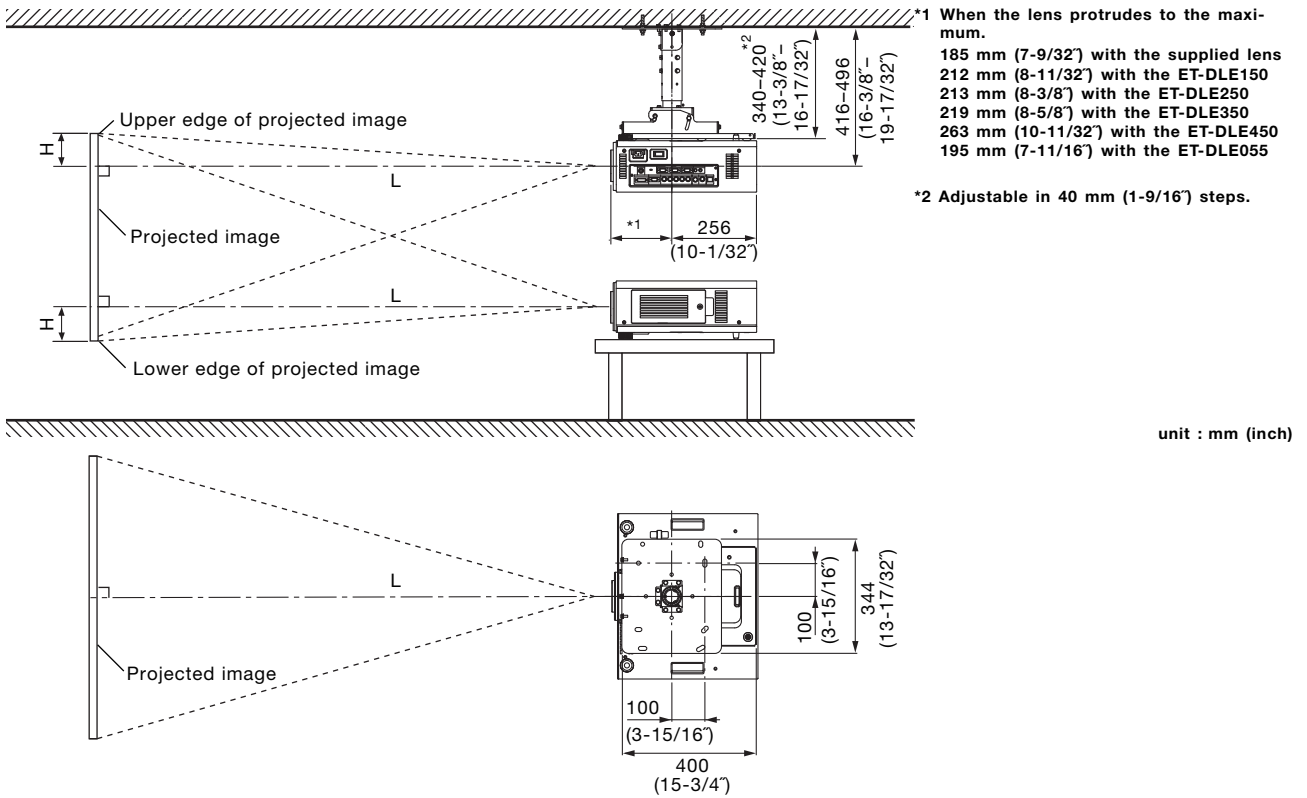


Terminals



- | | |
|-----------------|-------------------|
| 1 Video input | 7 Remote 1 input |
| 2 S-Video input | 8 Remote 1 output |
| 3 RGB 1 input | 9 Remote 2 input |
| 4 RGB 2 Input | 10 Serial input |
| 5 DVI-D input | 11 Serial output |
| 6 LAN connector | |

Standard setting-up position (when installed using the ET-PKD56H)



CAUTION

The ET-DLE055 has a fixed short-focus lens. Therefore, the lens shift function provided in the main unit cannot be used. If the lens shift function is used, the corners of images may not be displayed or images may remain out of focus in some cases.

DLP™ Projectors PT-DW6300S/DW6300K/DW6300LS/DW6300LK

Projection distance for 16:10 aspect ratio screen

Unit: millimeters

Screen size (inch, diagonal)	Distance to screen (L)										Height from the edge of screen to center of lens (H)		
	Zoom										Fixed-focus	Zoom lenses	Fixed-focus lens*
	ET-DLE150 Zoom lens		Supplied lens		ET-DLE250 Zoom lens		ET-DLE350 Zoom lens		ET-DLE450 Zoom lens		ET-DLE055 Fixed-focus lens		
min.	max.	min.	max.	min.	max.	min.	max.	min.	max.				
50	1,447	2,116	1,922	2,557	2,542	4,063	3,999	6,112	5,957	9,595	871	-67 – 337	337
60	1,748	2,549	2,320	3,081	3,067	4,891	4,826	7,361	7,208	11,573	1,055	-81 – 404	404
70	2,048	2,983	2,717	3,605	3,591	5,719	5,652	8,611	8,460	13,552	1,239	-94 – 471	471
80	2,348	3,416	3,114	4,130	4,116	6,548	6,479	9,860	9,711	15,531	1,423	-108 – 538	538
90	2,649	3,849	3,512	4,654	4,640	7,376	7,306	11,109	10,963	17,510	1,607	-121 – 606	606
100	2,949	4,282	3,909	5,178	5,165	8,204	8,133	12,359	12,215	19,488	1,791	-135 – 673	673
120	3,549	5,149	4,704	6,226	6,214	9,861	9,786	14,857	14,718	23,446	2,158	-162 – 808	808
150	4,450	6,448	5,896	7,799	7,787	12,346	12,266	18,605	18,473	29,382	2,710	-202 – 1010	1010
200	5,952	8,614	7,884	10,420	10,410	16,488	16,400	24,852	24,731	39,276	3,629	-269 – 1,346	1,346
250	7,453	10,780	9,871	13,041	13,032	20,630	20,534	31,098	30,989	49,169	–	-337 – 1,683	–
300	8,955	12,946	11,858	15,662	15,654	24,771	24,668	37,345	37,248	59,063	–	-404 – 2,019	–
400	11,958	17,278	15,832	20,903	20,899	33,055	32,936	49,838	49,764	78,850	–	-538 – 2,692	–
500	14,960	21,610	19,807	26,145	26,144	41,338	41,203	62,331	62,280	98,637	–	-673 – 3,365	–
600	17,963	25,942	23,781	31,387	31,389	49,622	49,471	74,824	74,797	118,425	–	-808 – 4,039	–

Unit: feet

Screen size (inch, diagonal)	Distance to screen (L)										Height from the edge of screen to center of lens (H)		
	Zoom										Fixed-focus	Zoom lenses	Fixed-focus lens*
	ET-DLE150 Zoom lens		Supplied lens		ET-DLE250 Zoom lens		ET-DLE350 Zoom lens		ET-DLE450 Zoom lens		ET-DLE055 Fixed-focus lens		
min.	max.	min.	max.	min.	max.	min.	max.	min.	max.				
50	4.8	7.0	6.4	8.4	8.4	13.4	13.2	20.1	19.6	31.5	2.9	-0.2 – 1.1	1.1
60	5.8	8.4	7.7	10.2	10.1	16.1	15.9	24.2	23.7	38.0	3.5	-0.3 – 1.4	1.4
70	6.8	9.8	9.0	11.9	11.8	18.8	18.6	28.3	27.8	44.5	4.1	-0.4 – 1.6	1.6
80	7.8	11.3	10.3	13.6	13.6	21.5	21.3	32.4	31.9	51.0	4.7	-0.4 – 1.8	1.8
90	8.7	12.7	11.6	15.3	15.3	24.2	24.0	36.5	36.0	57.5	5.3	-0.4 – 2.0	2.0
100	9.7	14.1	12.9	17.0	17.0	27.0	26.7	40.6	40.1	64.0	5.9	-0.5 – 2.3	2.3
120	11.7	16.9	15.5	20.5	20.4	32.4	32.2	48.8	48.3	77.0	7.1	-0.6 – 2.7	2.7
150	14.6	21.2	19.4	25.6	25.6	40.6	40.3	61.1	60.7	96.4	8.9	-0.7 – 3.4	3.4
200	19.6	28.3	25.9	34.2	34.2	54.1	53.9	81.6	81.2	128.9	12.0	-0.9 – 4.5	4.5
250	24.5	35.4	32.4	42.8	42.8	67.7	67.4	102.1	101.7	161.4	–	-1.2 – 5.6	–
300	29.4	42.5	39.0	51.4	51.4	81.3	81.0	122.6	122.3	193.8	–	-1.4 – 6.7	–
400	39.3	56.7	52.0	68.6	68.6	108.5	108.1	163.6	163.3	258.7	–	-1.8 – 8.9	–
500	49.1	70.9	65.0	85.8	85.8	135.7	135.2	204.5	204.4	323.7	–	-2.3 – 11.1	–
600	59.0	85.2	78.1	103.0	103.0	162.9	162.4	245.5	245.4	388.6	–	-2.7 – 13.3	–

- The value for L (distance to screen) varies slightly depending on the zoom lens characteristics.
- At the shortest projection distance, the zoom lens characteristics may cause slight image distortion.
- When vertical keystone correction is used, the image is corrected in the direction that reduces its projected size.
- The brightness varies depending on the zoom setting.

DLP™ Projectors PT-DW6300S/DW6300K/DW6300LS/DW6300LK

Projection distance for 16:9 aspect ratio screen

Unit: millimeters

Screen size (inch, diagonal)	Distance to screen (L)										Height from the edge of screen to center of lens (H)		
	Zoom										Fixed-focus	Zoom lenses	Fixed-focus lens*
	ET-DLE150 Zoom lens		Supplied lens		ET-DLE250 Zoom lens		ET-DLE350 Zoom lens		ET-DLE450 Zoom lens		ET-DLE055 Fixed-focus lens		
min.	max.	min.	max.	min.	max.	min.	max.	min.	max.				
50	1,489	2,176	1,977	2,630	2,615	4,178	4,114	6,286	6,131	9,870	897	-137 – 311	311
60	1,798	2,622	2,386	3,169	3,154	5,029	4,963	7,570	7,417	11,903	1,086	-164 – 374	374
70	2,106	3,067	2,794	3,707	3,693	5,880	5,813	8,854	8,703	13,937	1,275	-192 – 436	436
80	2,415	3,512	3,203	4,246	4,233	6,732	6,663	10,138	9,990	15,971	1,464	-219 – 498	498
90	2,724	3,957	3,611	4,785	4,772	7,583	7,513	11,422	11,276	18,005	1,653	-247 – 560	560
100	3,032	4,403	4,020	5,324	5,311	8,435	8,362	12,706	12,563	20,038	1,842	-274 – 623	623
120	3,650	5,293	4,837	6,401	6,389	10,137	10,062	15,274	15,136	24,106	2,220	-329 – 747	747
150	4,576	6,629	6,062	8,017	8,006	12,692	12,611	19,126	18,995	30,207	2,786	-411 – 934	934
200	6,119	8,855	8,105	10,711	10,701	16,948	16,860	25,546	25,427	40,376	3,731	-548 – 1,245	1,245
250	7,662	11,081	10,147	13,405	13,397	21,205	21,109	31,967	31,859	50,544	–	-685 – 1,557	–
300	9,205	13,307	12,189	16,099	16,092	25,462	25,358	38,387	38,292	60,713	–	-822 – 1,868	–
400	12,292	17,760	16,274	21,486	21,482	33,976	33,855	51,227	51,156	81,051	–	-1,096 – 2,491	–
500	15,378	22,212	20,359	26,874	26,873	42,490	42,353	64,068	64,020	101,388	–	-1,370 – 3,113	–
600	18,464	26,665	24,444	32,261	32,264	51,004	50,850	76,908	76,885	121,725	–	-1,644 – 3,736	–

Unit: feet

Screen size (inch, diagonal)	Distance to screen (L)										Height from the edge of screen to center of lens (H)		
	Zoom										Fixed-focus	Zoom lenses	Fixed-focus lens*
	ET-DLE150 Zoom lens		Supplied lens		ET-DLE250 Zoom lens		ET-DLE350 Zoom lens		ET-DLE450 Zoom lens		ET-DLE055 Fixed-focus lens		
min.	max.	min.	max.	min.	max.	min.	max.	min.	max.				
50	4.9	7.2	6.5	8.7	8.6	13.8	13.5	20.7	20.2	32.4	3.0	-0.5 – 1.0	1.0
60	5.9	8.7	7.9	10.4	10.4	16.5	16.3	24.9	24.4	39.1	3.6	-0.6 – 1.3	1.3
70	7.0	10.1	9.2	12.2	12.2	19.3	19.1	29.1	28.6	45.8	4.2	-0.7 – 1.5	1.5
80	8.0	11.6	10.6	14.0	13.9	22.1	21.9	33.3	32.8	52.4	4.9	-0.8 – 1.7	1.7
90	9.0	13.0	11.9	15.7	15.7	24.9	24.7	37.5	37.0	59.1	5.5	-0.9 – 1.9	1.9
100	10.0	14.5	13.2	17.5	17.5	27.7	27.5	41.7	41.3	65.8	6.1	-0.9 – 2.1	2.1
120	12.0	17.4	15.9	21.1	21.0	33.3	33.1	50.2	49.7	79.1	7.3	-1.1 – 2.5	2.5
150	15.1	21.8	19.9	26.4	26.3	41.7	41.4	62.8	62.4	99.2	9.2	-1.4 – 3.1	3.1
200	20.1	29.1	26.6	35.2	35.2	55.7	55.4	83.9	83.5	132.5	12.3	-1.8 – 4.1	4.1
250	25.2	36.4	33.3	44.0	44.0	69.6	69.3	104.9	104.6	165.9	–	-2.3 – 5.2	–
300	30.3	43.7	40.0	52.9	52.8	83.6	83.2	126.0	125.7	199.2	–	-2.7 – 6.2	–
400	40.4	58.3	53.4	70.5	70.5	111.5	111.1	168.1	167.9	266.0	–	-3.6 – 8.2	–
500	50.5	72.9	66.8	88.2	88.2	139.5	139.0	210.2	210.1	332.7	–	-4.5 – 10.3	–
600	60.6	87.5	80.2	105.9	105.9	167.4	166.9	252.4	252.3	399.4	–	-5.4 – 12.3	–

- The value for L (distance to screen) varies slightly depending on the zoom lens characteristics.
- At the shortest projection distance, the zoom lens characteristics may cause slight image distortion.
- When vertical keystone correction is used, the image is corrected in the direction that reduces its projected size.
- The brightness varies depending on the zoom setting.

Calculation of the projection distance

For a screen size different from the above, use the equation below to calculate the projection distance.

Aspect ratio 16:10

ET-DLE150	minimum	$L \text{ (mm)} = (\text{diagonal screen size in inches}) \times 30.0 - 54.0$
	maximum	$L \text{ (mm)} = (\text{diagonal screen size in inches}) \times 43.3 - 49.8$
Supplied lens	minimum	$L \text{ (mm)} = (\text{diagonal screen size in inches}) \times 39.7 - 65.0$
	maximum	$L \text{ (mm)} = (\text{diagonal screen size in inches}) \times 52.4 - 63.8$
ET-DLE250	minimum	$L \text{ (mm)} = (\text{diagonal screen size in inches}) \times 52.4 - 80.0$
	maximum	$L \text{ (mm)} = (\text{diagonal screen size in inches}) \times 82.8 - 79.2$
ET-DLE350	minimum	$L \text{ (mm)} = (\text{diagonal screen size in inches}) \times 82.7 - 135.1$
	maximum	$L \text{ (mm)} = (\text{diagonal screen size in inches}) \times 124.9 - 134.6$
ET-DLE450	minimum	$L \text{ (mm)} = (\text{diagonal screen size in inches}) \times 125.1 - 301.7$
	maximum	$L \text{ (mm)} = (\text{diagonal screen size in inches}) \times 197.9 - 299.1$
ET-DLE055	(fixed focus)	$L \text{ (mm)} = (\text{diagonal screen size in inches}) \times 18.4 - 47.6$

Aspect ratio 16:9

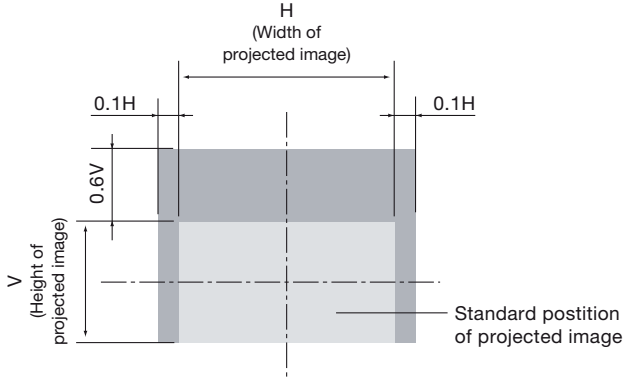
ET-DLE150	minimum	$L \text{ (mm)} = (\text{diagonal screen size in inches}) \times 30.9 - 54.0$
	maximum	$L \text{ (mm)} = (\text{diagonal screen size in inches}) \times 44.5 - 49.8$
Supplied lens	minimum	$L \text{ (mm)} = (\text{diagonal screen size in inches}) \times 40.8 - 65.0$
	maximum	$L \text{ (mm)} = (\text{diagonal screen size in inches}) \times 53.9 - 63.8$
ET-DLE250	minimum	$L \text{ (mm)} = (\text{diagonal screen size in inches}) \times 53.9 - 80.0$
	maximum	$L \text{ (mm)} = (\text{diagonal screen size in inches}) \times 85.1 - 79.2$
ET-DLE350	minimum	$L \text{ (mm)} = (\text{diagonal screen size in inches}) \times 85.0 - 135.1$
	maximum	$L \text{ (mm)} = (\text{diagonal screen size in inches}) \times 128.4 - 134.6$
ET-DLE450	minimum	$L \text{ (mm)} = (\text{diagonal screen size in inches}) \times 128.6 - 301.7$
	maximum	$L \text{ (mm)} = (\text{diagonal screen size in inches}) \times 203.4 - 299.1$
ET-DLE055	(fixed focus)	$L \text{ (mm)} = (\text{diagonal screen size in inches}) \times 18.9 - 47.6$

• Distances calculated with the above equations will include a slight error.

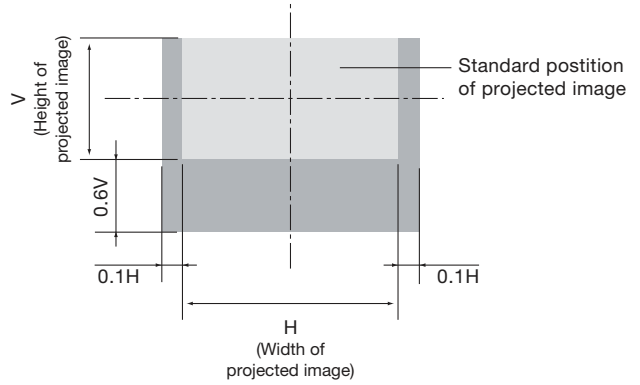
Shift range

Optical axis shift function allows to shift the position of a projected image as shown below.

• **Floor mount**



• **Ceiling mount**

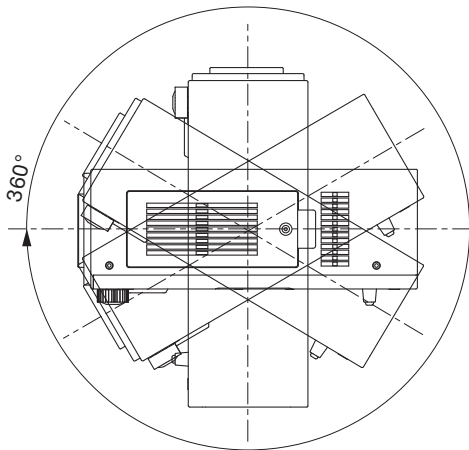


Installable angle

Install the projector at an angle within the range shown below.

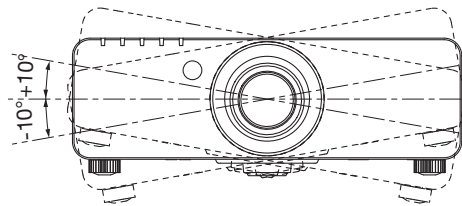
• **Vertical direction**

The projector may be installed at a vertical angle of 360°.



• **Horizontal direction**

The projector may be installed at a horizontal angle of ±10°.



List of compatible signals

This projector supports RGB signals with horizontal frequencies of 15 to 91 kHz, vertical frequencies of 50 to 85 Hz and up to 150 MHz dot clock.

NOTE: The native resolution of this projector is 1,024 x 800 pixels. If the display resolution of the input signal is different from the native resolution, image compression or expansion will be used to convert the input signal to a level within the native resolution.

Display mode	Display resolution (dots) ¹	Scanning frequency H (kHz)	Scanning frequency V (kHz)	Dot clock frequency (MHz)	Picture quality ²	Format
NTSC/NTSC4.43/PAL-M/PAL60	720 x 480i	15.7	59.9	–	A	VIDEO/S-VIDEO
PAL/PAL-N/SECAM	720 x 576i	15.6	50.0	–	A	
480i(525i)	720 x 480i	15.7	59.9	13.5	A	YPbPr /RGB
576i(625i)	720 x 576i	15.6	50.0	13.5	A	
480p(525p)	720 x 483	31.5	59.9	27.0	A	YPbPr /RGB/DVI
576p(625p)	720 x 576	31.3	50.0	27.0	A	
720/60p	1,280 x 720	45.0	60.0	74.3	AA	
720/50p		37.5	50.0	74.3	AA	
1080/60i	1,920 x 1,080i	33.8	60.0	74.3	A	
1080/50i		28.1	50.0	74.3	A	
1080/24p	1,920 x 1,080	27.0	24.0	74.3	A	
1080/24sF	1,920 x 1,080i	27.0	24.0	74.3	A	
1080/25p	1,920 x 1,080	28.1	50.0	74.3	A	
1080/30p		33.8	60.0	74.3	A	
1080/60p		67.5	60.0	148.5	A	
1080/50p		56.3	50.0	148.5	A	
VGA400	640 x 400	31.5	70.1	25.2	A	RGB/DVI
		37.9	85.1	31.5	A	
VGA480	640 x 480	31.5	59.9	25.2	A	
		35.0	66.7	30.2	A	
		37.9	72.8	31.5	A	
		37.5	75.0	31.5	A	
		43.3	85.0	36.0	A	
SVGA	800 x 600	35.2	56.3	36.0	A	
		37.9	60.3	40.0	A	
		48.1	72.2	50.0	A	
		46.9	75.0	49.5	A	
		53.7	85.1	56.3	A	
MAC16	832 x 624	49.7	74.6	57.3	A	
XGA	1,024 x 768	39.6	50.0	51.9	A	
		48.4	60.0	65.0	A	
		56.5	70.1	75.0	A	
		60.0	75.0	78.8	A	
		65.5	81.6	86.0	A	
		68.7	85.0	94.5	A	
		80.0	100.0	105.0	A	
		96.7	120.0	130.0	A	
MXGA	1,152 x 864	64.0	71.2	94.2	A	
		67.5	74.9	108.0	A	
		76.7	85.0	121.5	A	
MAC21	1,152 x 870	68.7	75.1	100.0	A	
1280 x 768	1,280 x 768	39.6	49.9	65.3	AA	
		47.8	59.9	79.5	AA	
1280 x 800	1,280 x 800	41.3	50.0	68.0	AA	
		49.7	59.8	83.5	AA	
MSXGA	1,280 x 960	60.0	60.0	108.0	A	
SXGA	1,280 x 1,024	64.0	60.0	108.0	A	
		80.0	75.0	135.0	A	
		91.1	85.0	157.5	B	RGB
SXGA+	1,400 x 1,050	64.0	60.0	108.0	A	RGB/DVI
		82.2	75.0	155.9	B	RGB
WXGA+	1,440 x 900	55.9	59.9	106.5	A	RGB/DVI
UXGA	1,600 x 1,200	75.0	60.0	162.0	B	RGB
WSXGA+	1,680 x 1,050	65.3	60.0	146.3	A	RGB/DVI
1920 x 1080	1,920 x 1,080	66.6	59.9	138.5	A	
WUXGA ³	1,920 x 1,200	74.0	60.0	154.0	A	

1. The “i” appearing after the resolution indicates an interlaced signal.

2. The following symbols are used to indicate picture quality.

AA Maximum picture quality can be obtained.

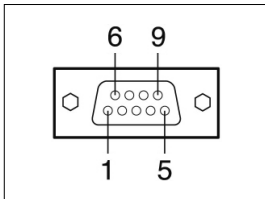
A Signals are converted by the image processing circuit before picture is projected.

3. WUXGA resolution is supported only when the signals are compliant with VESA CVT-RB (Coordinated Video Timing-Reduced Blanking).

Serial connector

The serial connector complies with RS-232C. To control the projector from a personal computer, commands must be input through communication software, based on the format and satisfying the communication conditions shown below.

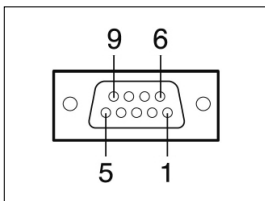
Pin assignments and signal names



D-sub 9-pin (female)
Serial input

No.	Signal name	Description	No.	Signal name	Description
1	-	NC	6	-	NC
2	TXD	Send data	7	CTS	Connected internally
3	RXD	Receive data	8	RTS	Connected internally
4	-	Connected internally	9	-	NC
5	GND	Ground			

Pin assignments and signal names



D-sub 9-pin (male)
Serial output

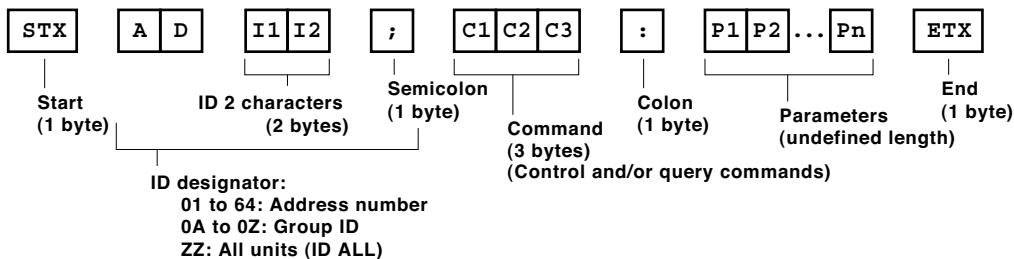
No.	Signal name	Description	No.	Signal name	Description
1	-	NC	6	-	NC
2	RXD	Receive data	7	RTS	Connected internally
3	TXD	Send data	8	CTS	Connected internally
4	-	Connected internally	9	-	NC
5	GND	Ground			

Communication conditions (factory setting)

Signal level	RS-232C-compliant
Synchronization method	Start-stop synchronization
Baud rate	9,600 bps
Parity	None
Character length	8 bits
Stop bit	1 bit
X parameter	None
S parameter	None

Basic format

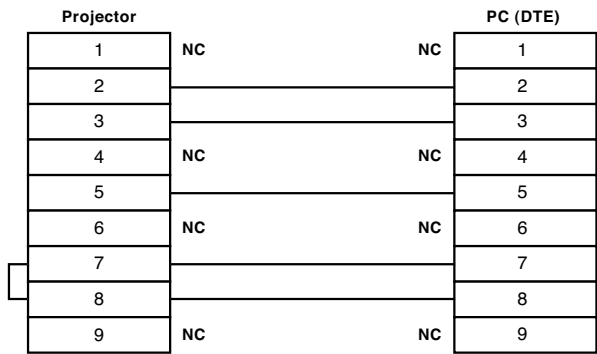
Transmission from the computer begins with STX, then the ID, command, parameter, and ETX are sent in this order. Add parameters according to the details of control.



CAUTION

- It may not be possible to send or receive commands for about 10 to 60 seconds when the lamp is first turned on. If this occurs, wait for 60 seconds, then try sending or receiving again.
- When sending multiple commands, be sure to wait for at least 0.5 second after receiving a response from the projector before sending the next command.
- Additional time is sometimes required for response due to processing inside the projector. Set the time-out period for command response to 10 seconds or more.

Cable specifications



Control commands

Command : Parameter	Function		Callback
PON	POWER (STANDBY)	Standby power on	PON
POF		Standby power off	POF
IIS : DVI	INPUT SELECT	DVI	IIS : DVI
IIS : RG1		RGB 1	IIS : RG1
IIS : RG2		RGB 2	IIS : RG2
IIS : VID		Video	IIS : VID
IIS : SVD		S-VideoAUX	IIS : SVD
LPM : 0	LAMP SELECT	Dual (two lamps)	LPM : 0
LPM : 1		Lamp 1	LPM : 1
LPM : 2		Lamp 2	LPM : 2
LPM : 3		Single lamp	LPM : 3
OSH : 0	SHUTTER	Shutter on	OSH : 0
OSH : 1		Shutter off	OSH : 1
OFZ : 0	FREEZE	Off	OFZ : 0
OFZ : 1		On	OFZ : 1
OAS	AUTO SETUP		OAS
VPM : NAT	PICTURE MODE	Natural	VPM : NAT
VPM : STD		Standard	VPM : STD
VPM : DYN		Dynamic	VPM : DYN
VPM : CIN		Cinema	VPM : CIN
VPM : GRA		Graphic	VPM : GRA
VXX : DLVI0 = +00000	SYSTEM DAYLIGHT VIEW 2	Off	VXX : DLVI0 = +00000
VXX : DLVI0 = +00001		1	VXX : DLVI0 = +00001
VXX : DLVI0 = +00002		2	VXX : DLVI0 = +00002
VXX : DLVI0 = +00003		3	VXX : DLVI0 = +00003
OTE : 1	COLOR TEMPERATURE	Middle	OTE : 1
OTE : 2		High	OTE : 2
OTE : 4		User	OTE : 4
OTE : 10		Default	OTE : 10
TSD : y1y2y3y4m1m2d1d2w	DATE	Date setting	TSD : y1y2y3y4m1m2d1d2w
TST : h1h2m1m2s1s2	TIME	Time setting	TST : h1h2m1m2s1s2
OOS : 0	ON SCREEN	On-screen display on	OOS : 0
OOS : 1		On-screen display off	OOS : 1

- * Do not send PON, POF, OSH, or OLP commands continuously in a short period of time. Doing so may burst the lamp or shorten the lamp replacement cycle.
- * When a command that cannot be executed during standby mode is sent, the projector will send an ER401 command in reply.

Status asking commands

Command:Parameter	Function	Callback	Description
QPW	Main power status	000	Standby (Off)
		001	On
QSH	Shutter function status	0	Off
		1	On
QFZ	Freeze function status	0	Off
		1	On
QIN	Input signal status	DVI	DVI
		RG1	RGB 1
		RG2	RGB 2
		VID	Video
		SVD	S-Video
QOS	On-screen display status	0	Off
		1	On
QST	Projector run time	p1p2p3p4p5	00000h-99999h
Q\$L:1	Lamp 1 run time	p1p2p3p4	0000h-9999h
Q\$L:2	Lamp 2 run time	p1p2p3p4	0000h-9999h
QSL	Lamp operation mode status	0	Dual
		1	Single
		2	Lamp 1
		3	Lamp 2
QLP	Lamp power mode status	0	High
		1	Low
QPM	Picture mode status	NAT	Natural
		STD	Standard
		DYN	dynamic
		CIN	Cinema
		GRA	Graphic
QVX:DLVI0	System daylight view status	DLVI0=+00000	Off
		DLVI0=+00001	1
		DLVI0=+00002	2
		DLVI0=+00003	3
QTM:0	Temperature status	p1p2p3p4/p5p6p7p8 ^(*)	p0 = Intake air
QTM:1			p1 = Exhaust air
QTM:2			p2 = DLP™ chip
QGD	Date setting status	y1y2y3y4m1m2d1d2w	yyyymmdd (day of week) ^(**)
QGT	Time setting status	h1h2m1m2s1s2	hhmmss ^(***)

*1 p1p2p3p4: Celsius (°C), p5p6p7p8: Fahrenheit (°F)
 *2 Day of week: Monday = 1, Tuesday = 2, ... Sunday = 7
 *3 Set the date and time to UTC (universal time coordinated).

Command example

To set the on-screen display off, send the command as shown below.

STX ADZZ ; OOS : 30 ETX
 | | | | |
 Start ID Address Command Parameter End

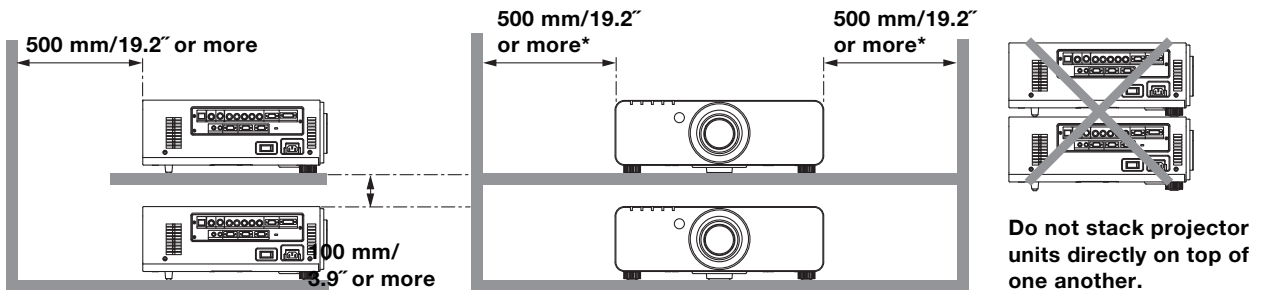
NOTE: When sending commands without parameters, a colon (:) is not necessary.

Notes on Projector Placement and Operation

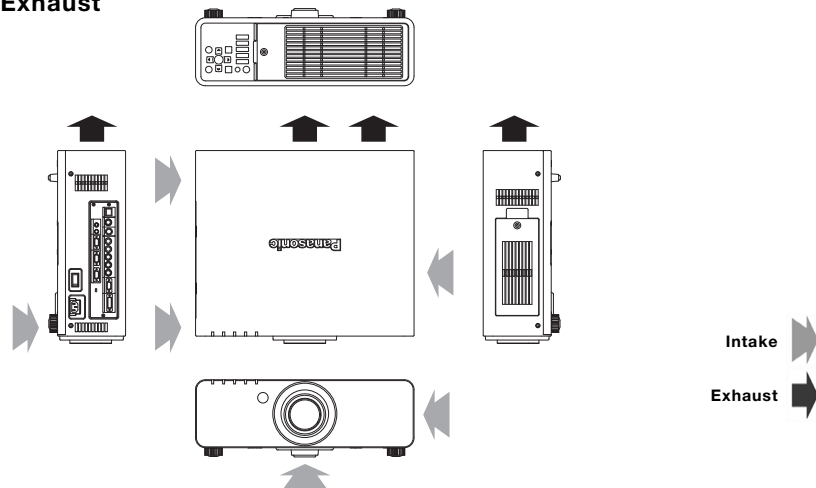
The projector uses a high-wattage lamp that becomes very hot during operation. Please observe the following precautions.

1. Never place objects on top of the projector while it is operating.
2. Make sure there is an unobstructed space of 500 mm or more around the projector's exhaust openings.
3. Do not stack projector units directly on top of one another. If two units must be stacked for back-up use in ordinary projection, use a method as shown below and provide ample space between the units to ensure that exhaust heat does not accumulate near the intake opening or around the units. Dual stacked projection is not recommended.
4. If the projector is placed in a box or enclosure, ensure the temperature of the air surrounding the projector is between 0°C/32°F and 40°C/104°F*. Also make sure the projector's intake and exhaust openings are not blocked. Take particular care to ensure that hot air from the exhaust openings is not sucked into the intake openings.

* Even when the ambient temperature near the intake opening is 40°C/104°F or lower, an accumulation of hot air inside the cabinet may cause the protective circuit to activate and shut down the projector. Please give ample consideration to the design with regard to ambient temperature conditions.



Direction of Air Intake and Exhaust



Operating the Projector Continuously

1. If the projector is to be operated continuously 24 hours a day, use the dual-lamp optical system's alternating lamp operation (lamp changer) function. The projector cannot be operated continuously 24 hours a day in dual-lamp mode. Allow a minimum of two hours per day of non-operation time.
2. The lamp replacement cycle duration becomes shorter if the projector is operated repeatedly for short periods.

DLP and the DLP logo are trademarks of Texas Instruments.
 PJLink is a registered trademark, or a trademark application has been filed, in Japan, the United States, and other countries and regions.
 All other trademarks are the property of their respective trademark owners.