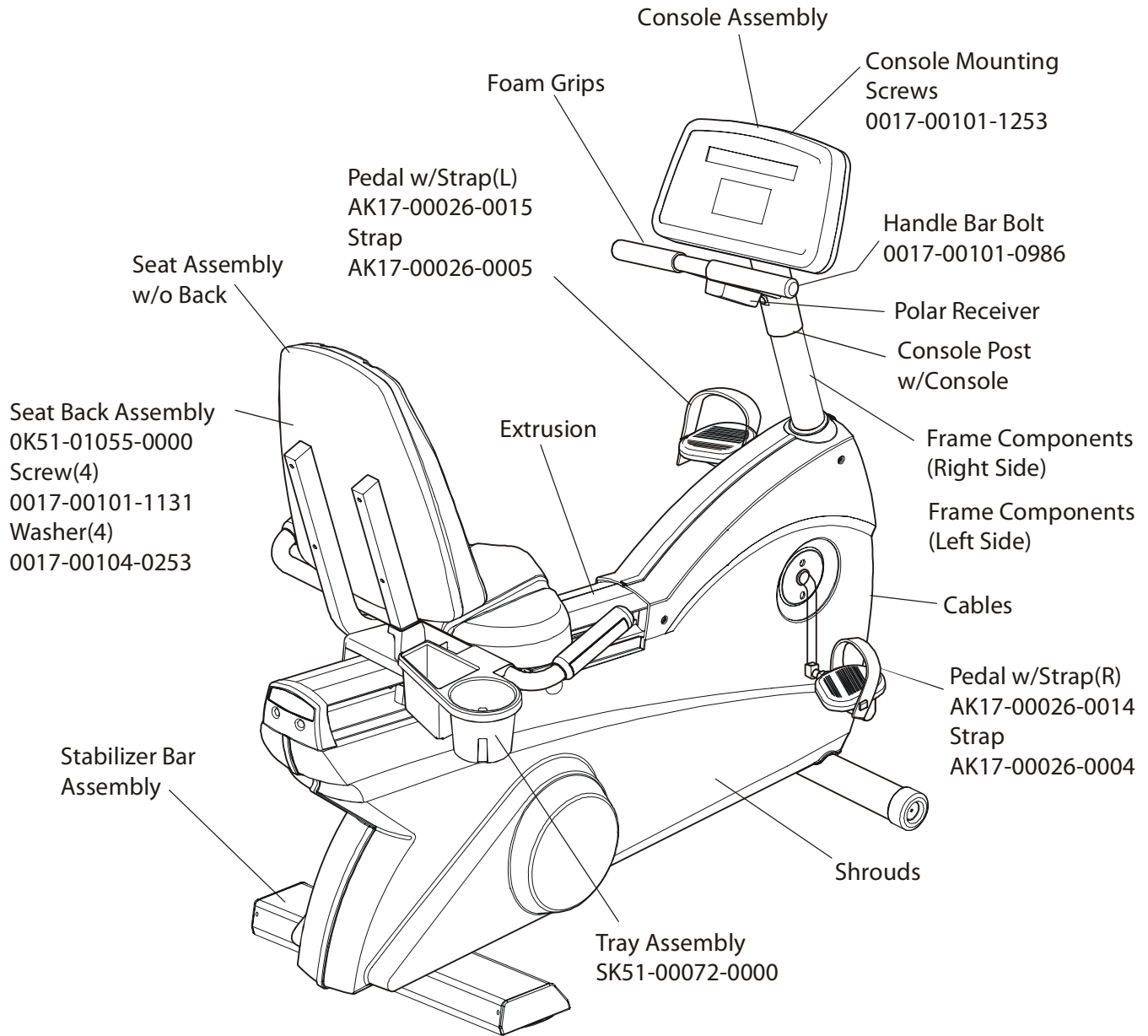


END OF LIFE



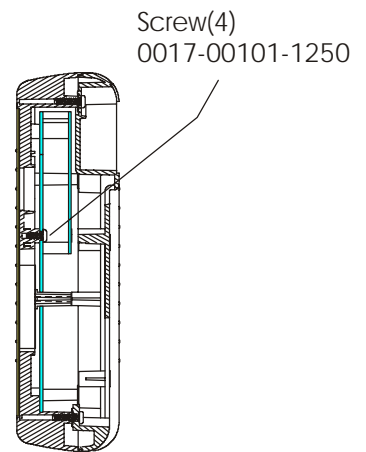
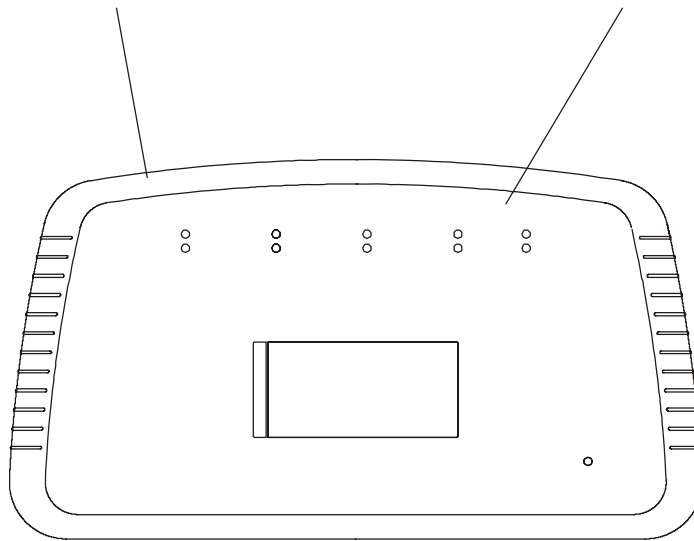
DESCRIPTION	PART NUMBER
Installation Instructions	M051-00K20-B155
Operation Manual	M051-00K20-B125
Service Manual	M051-00K51-D008
Bag Assembly	AK51-00017-0000

Display Console

- AK51-00087-0001® Eng/Met
- AK51-00087-0003 Ger/Met - R&R only
- AK51-00087-0004 Spn/Eur - R&R only
- AK51-00087-0005 Spn/Met - R&R only
- AK51-00087-0006 Jap/Met - R&R only
- AK51-00087-0007 Frn/Eur
- AK51-00087-0008 Itl/Met - R&R only
- AK51-00087-0009 Dut/Met - R&R only

Overlay Bezel

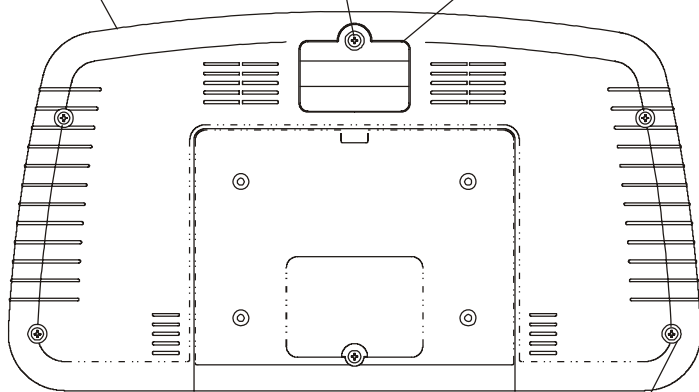
- SK51-00093-0001Eng/Met (NLA)
- AK51-00093-0003 Ger/Met
- AK51-00093-0004 Spn/Eur
- AK51-00093-0005 Spn/Met (NLA)
- AK51-00093-0007 Frn/Eur (NLA)
- AK51-00093-0008 Itl/Met (NLA)
- AK51-00093-0009 Dut/Met



Console Case (Black)
OK36-01187-0008

Screw
0017-00101-0393

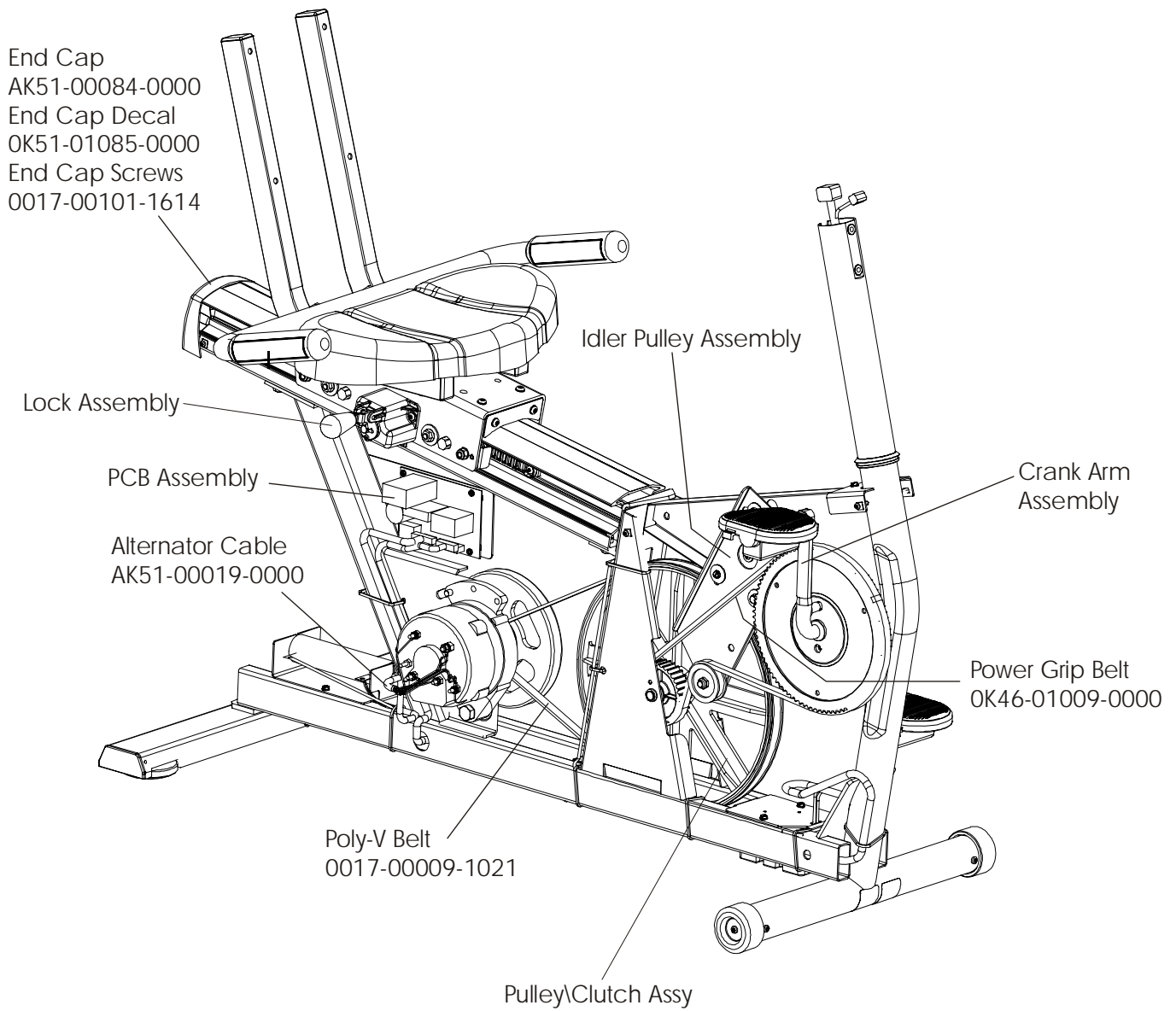
Battery Cover
OK36-01035-0006



Screw
0017-00101-0823 (4)

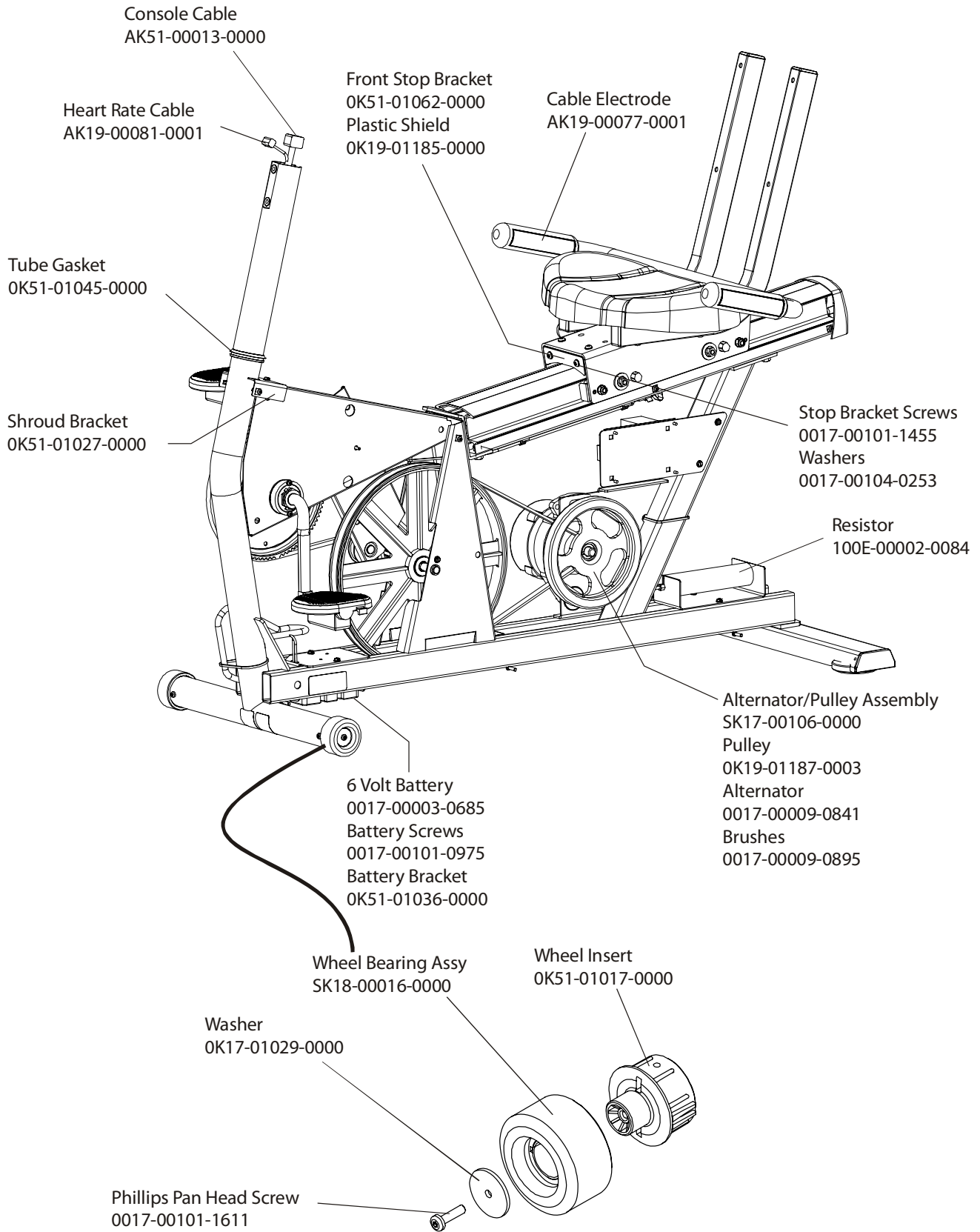
LC95 Recumbent Final Frame Assembly – Right Side

LC95R-0000-30



**LC95 Recumbent
Final Frame Assembly – Left Side**

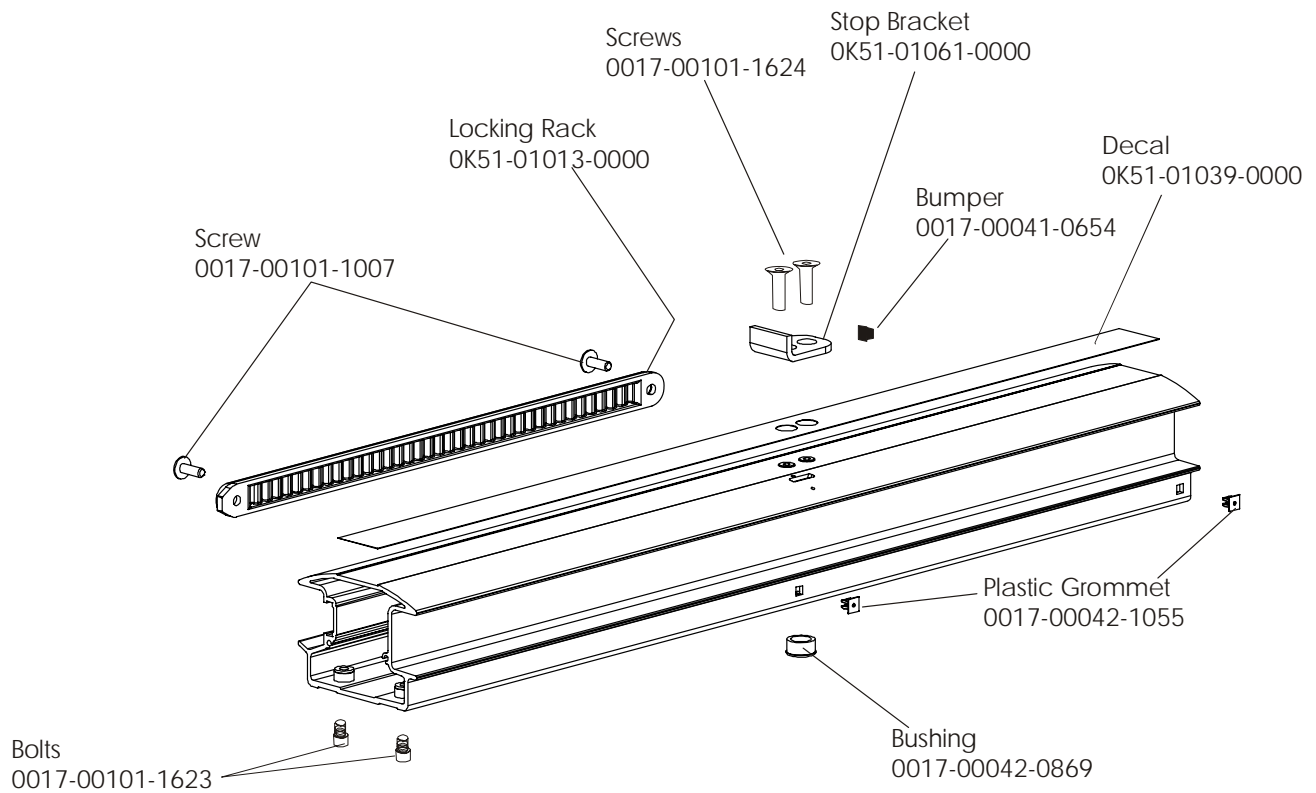
LC95R-0000-30



LC95 Recumbent

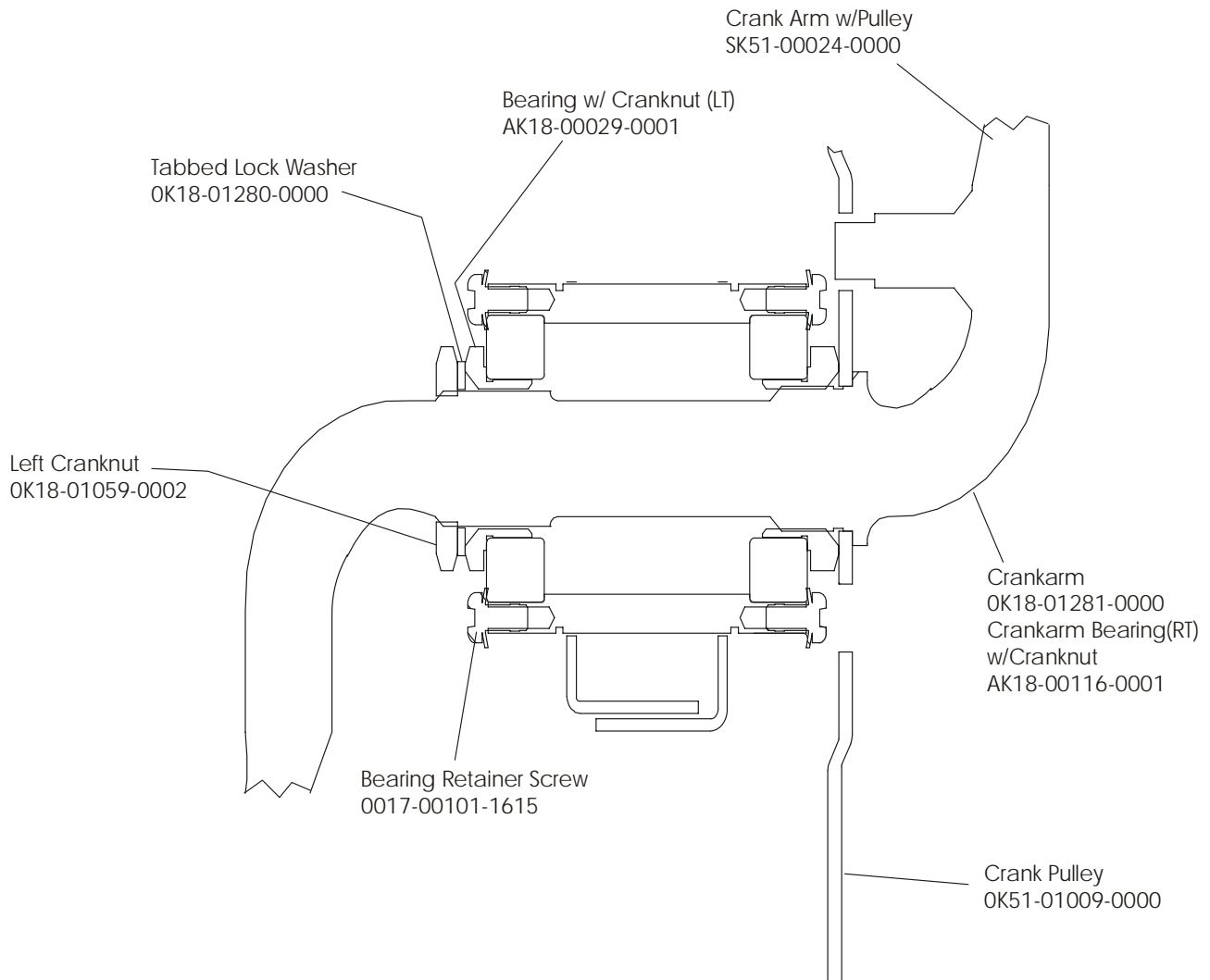
Extrusion Tube – SK51-00014-0000

LC95R-0000-30

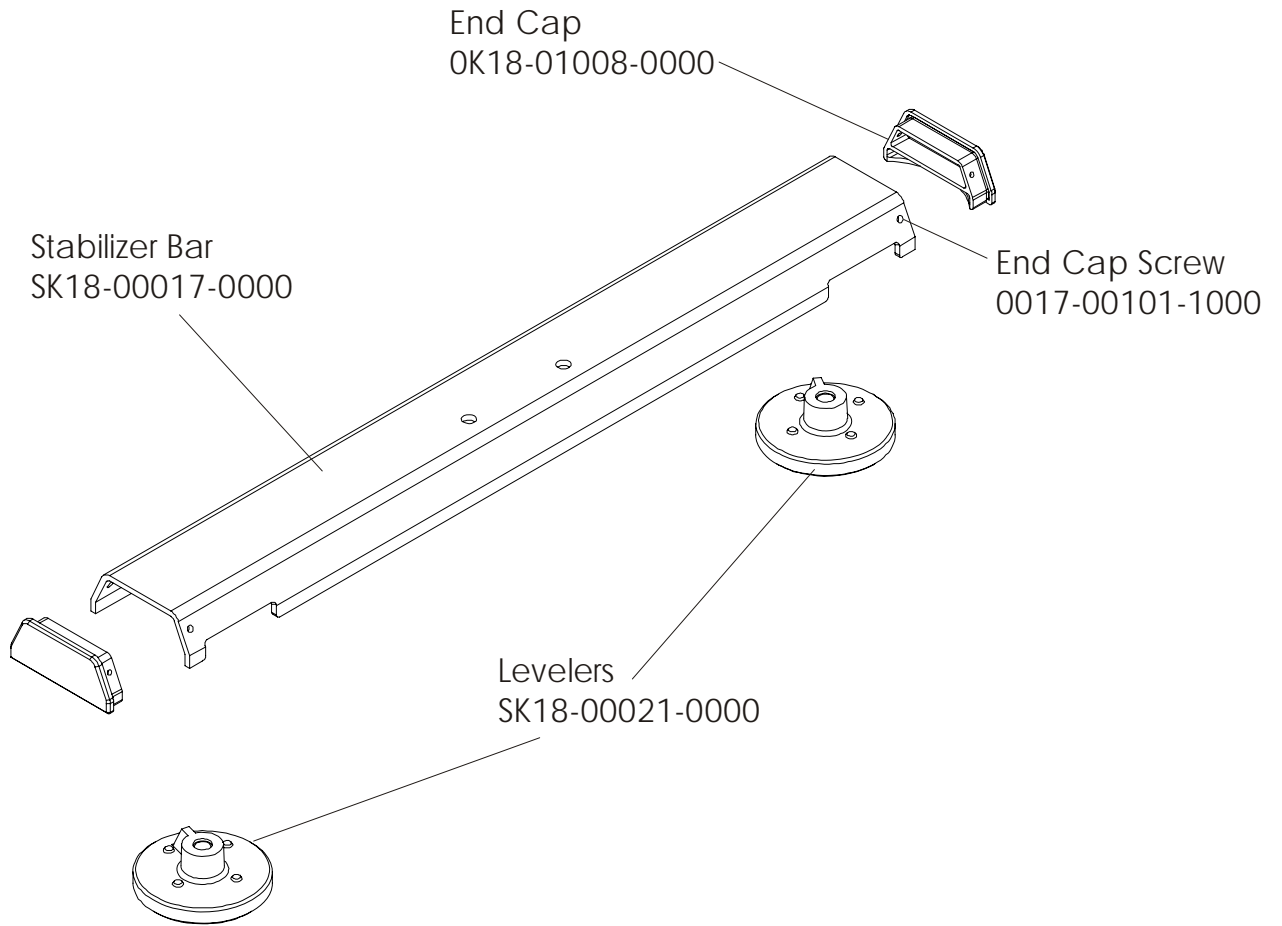


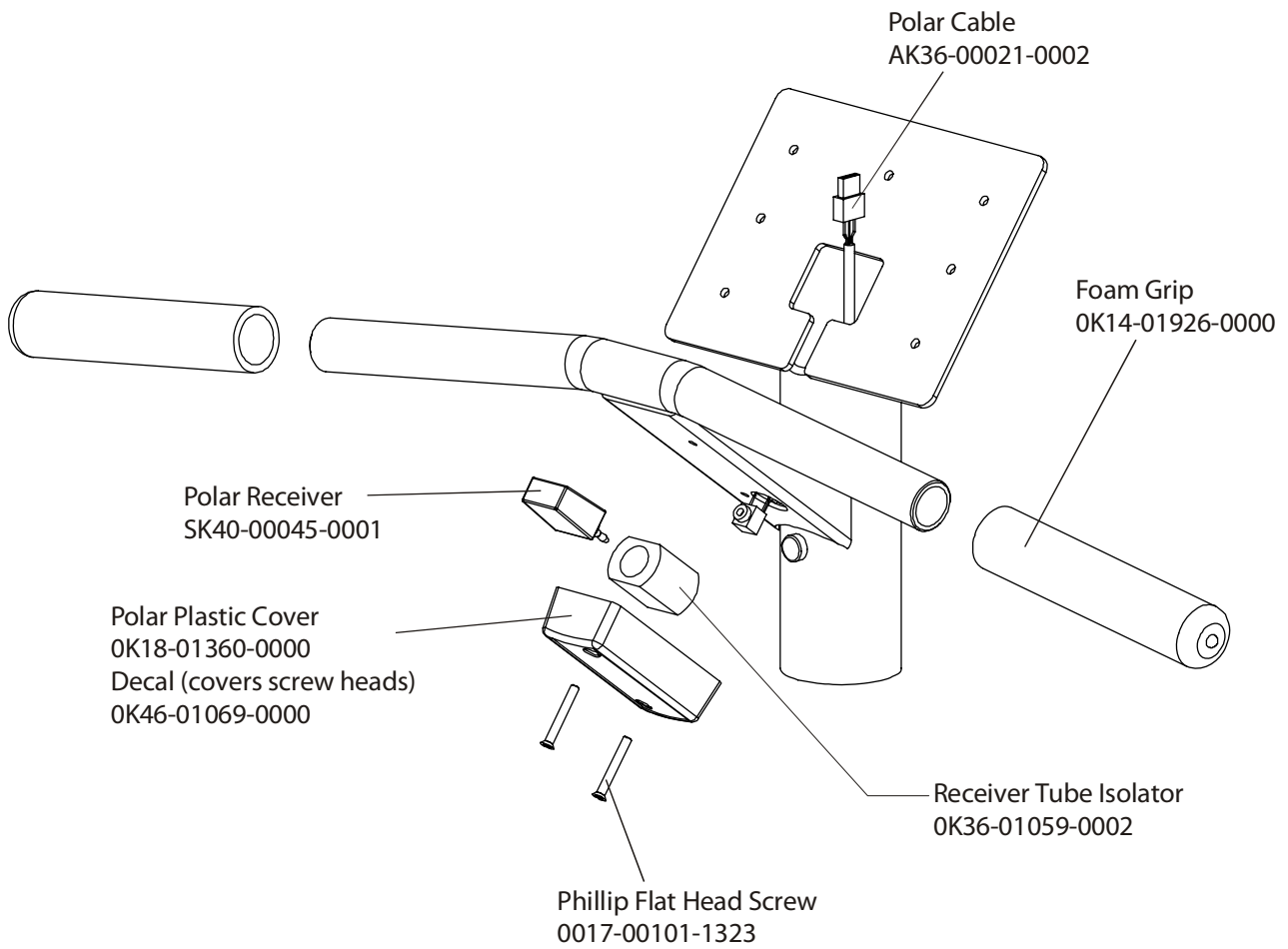
LC95 Recumbent Crank Arm Assembly

LC95R-0000-309



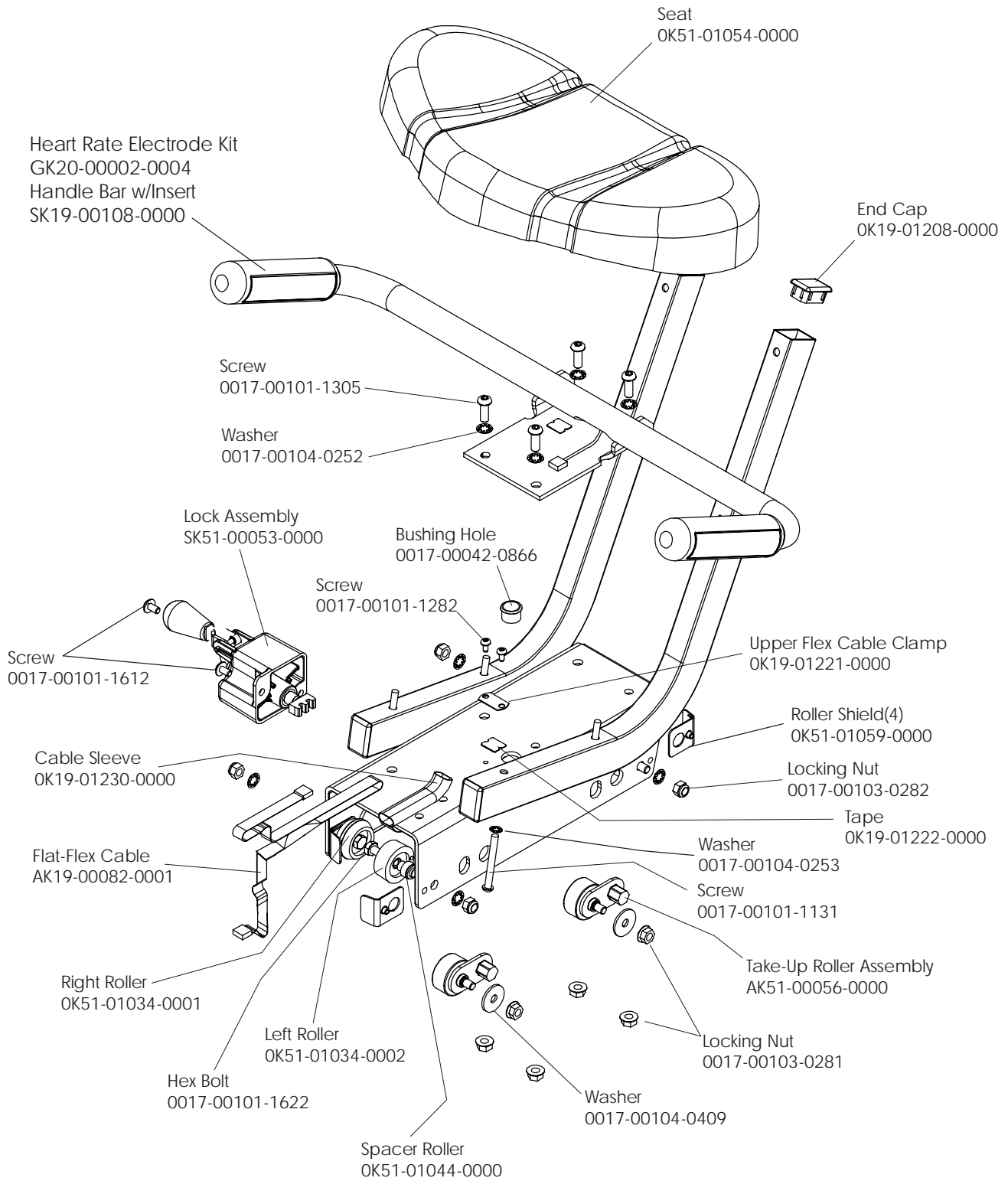
NOTE: Order Crank Bearing Kit GK51-00002-0001





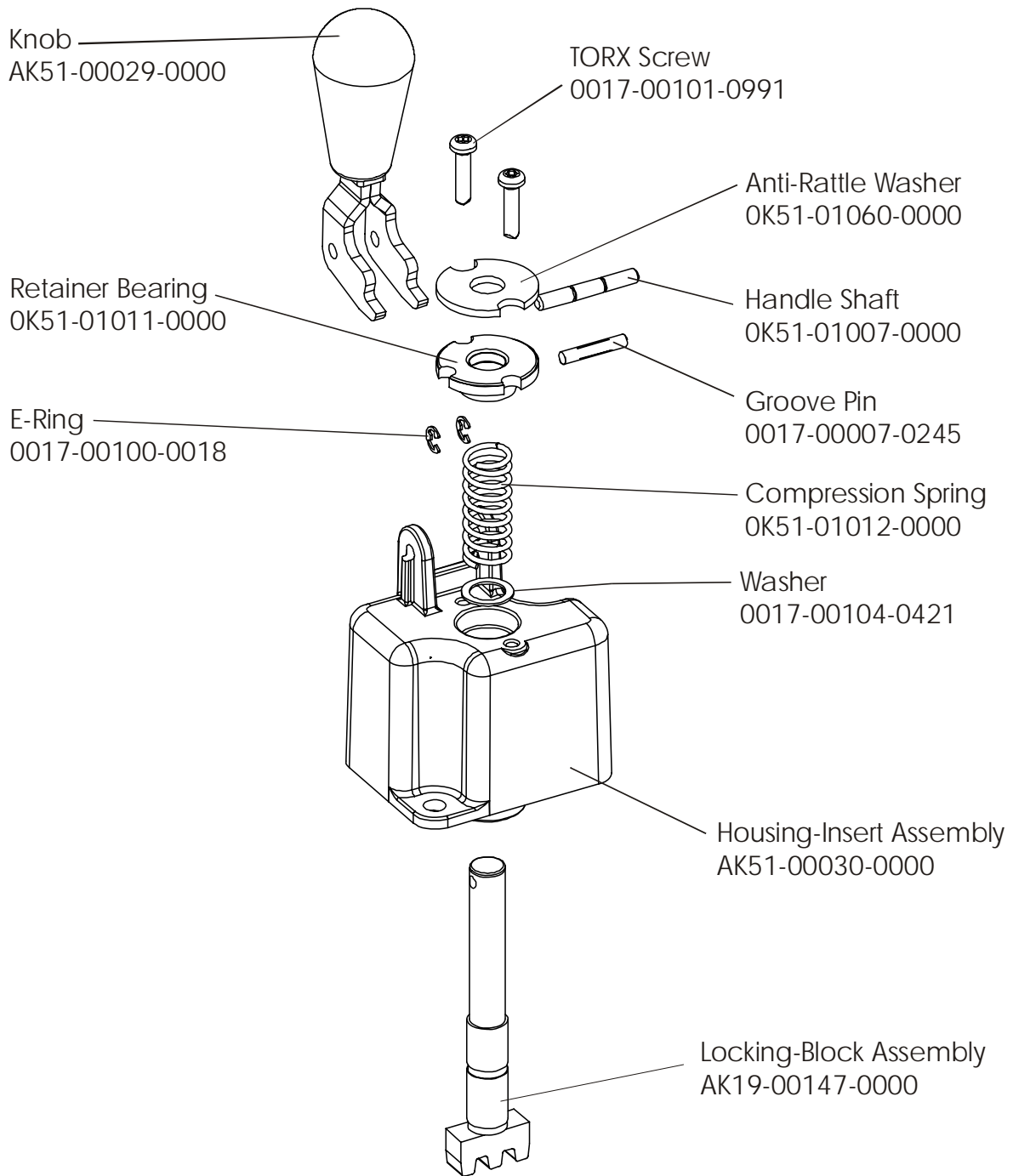
**LC95 Recumbent
Seat Assembly SK51-00011-0000**

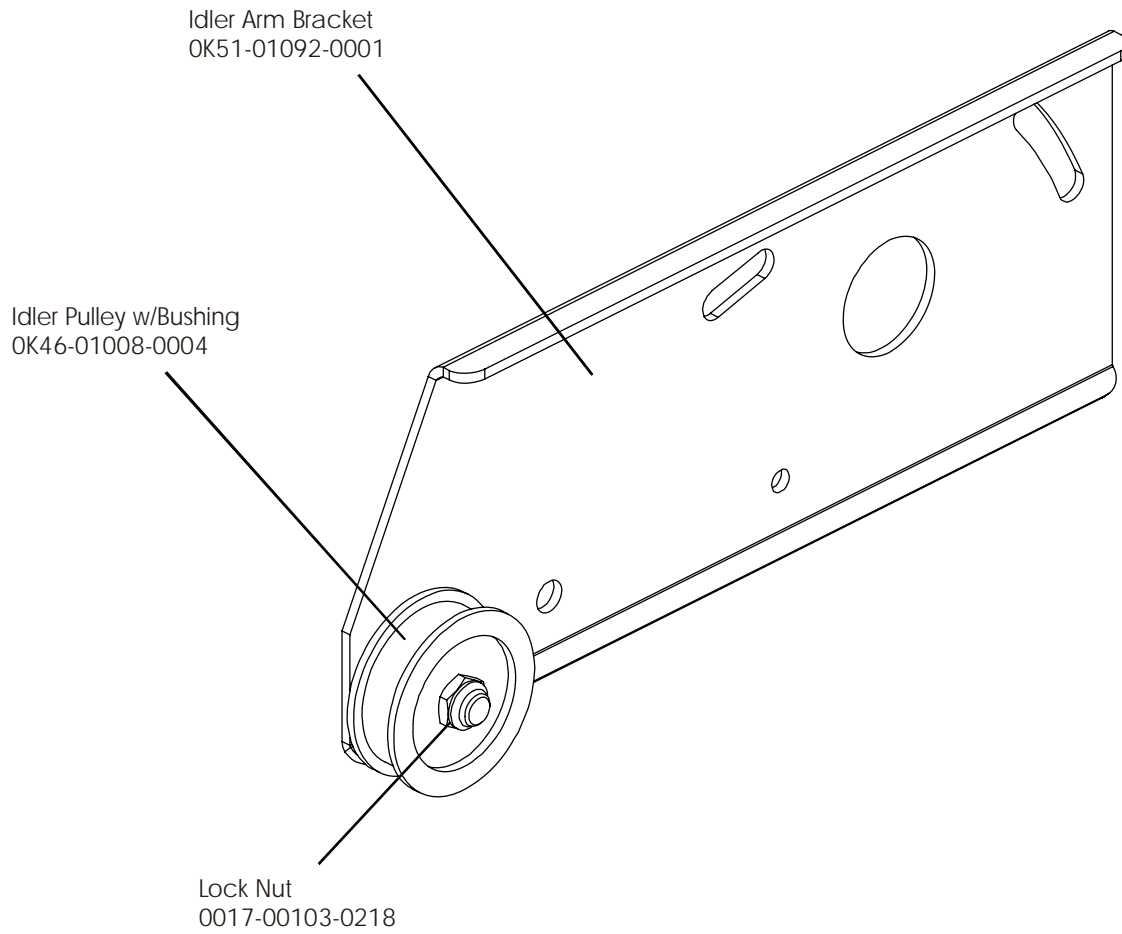
LC95R-0000-30

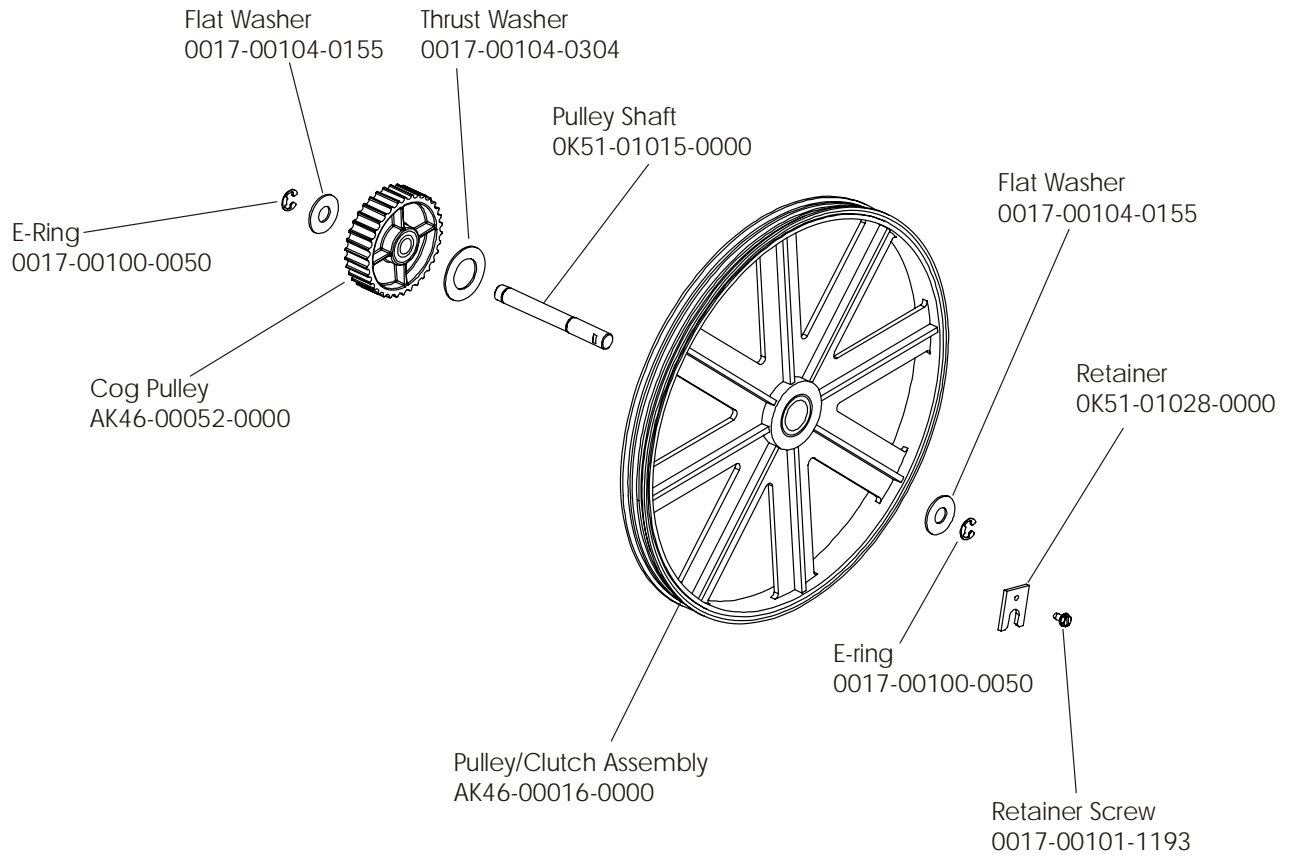


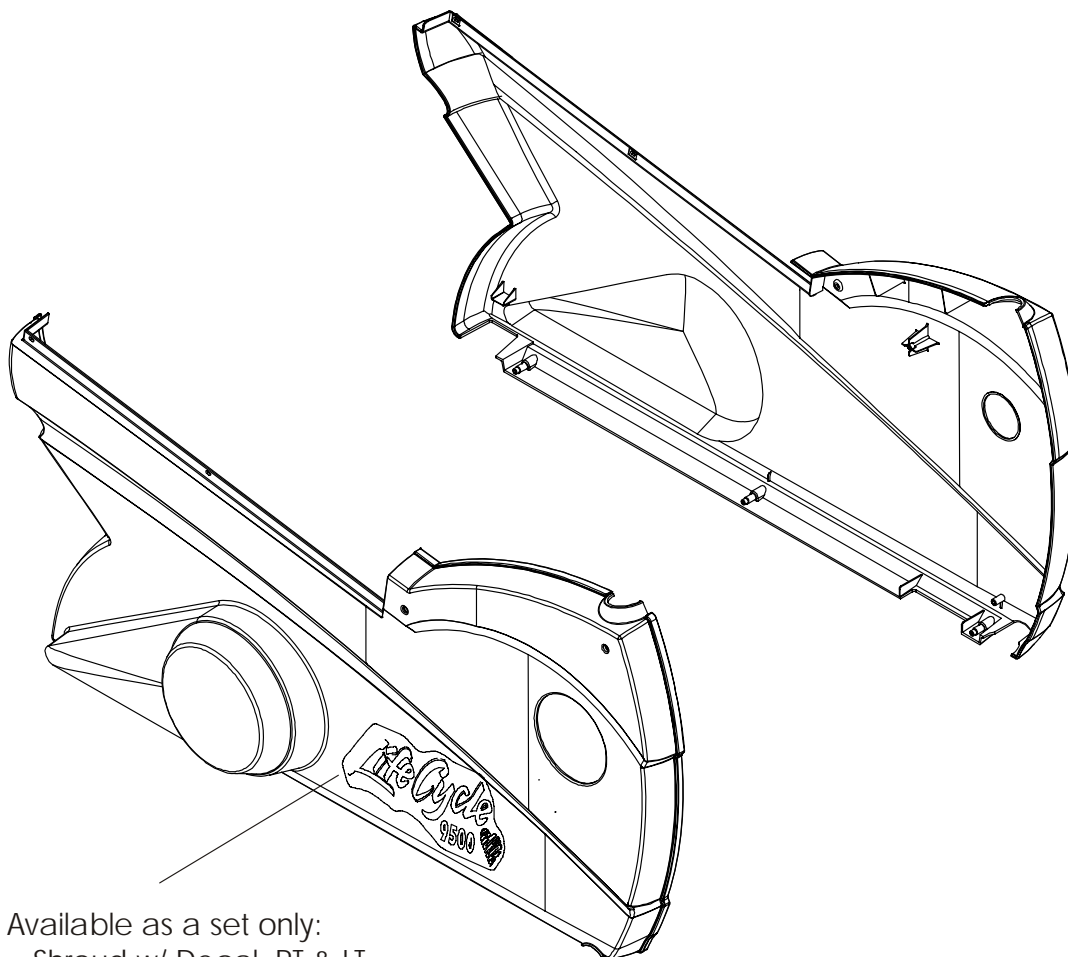
**LC95 Recumbent
Seat Lock Assembly – AK51-00053-0000**

LC95R-0000-30



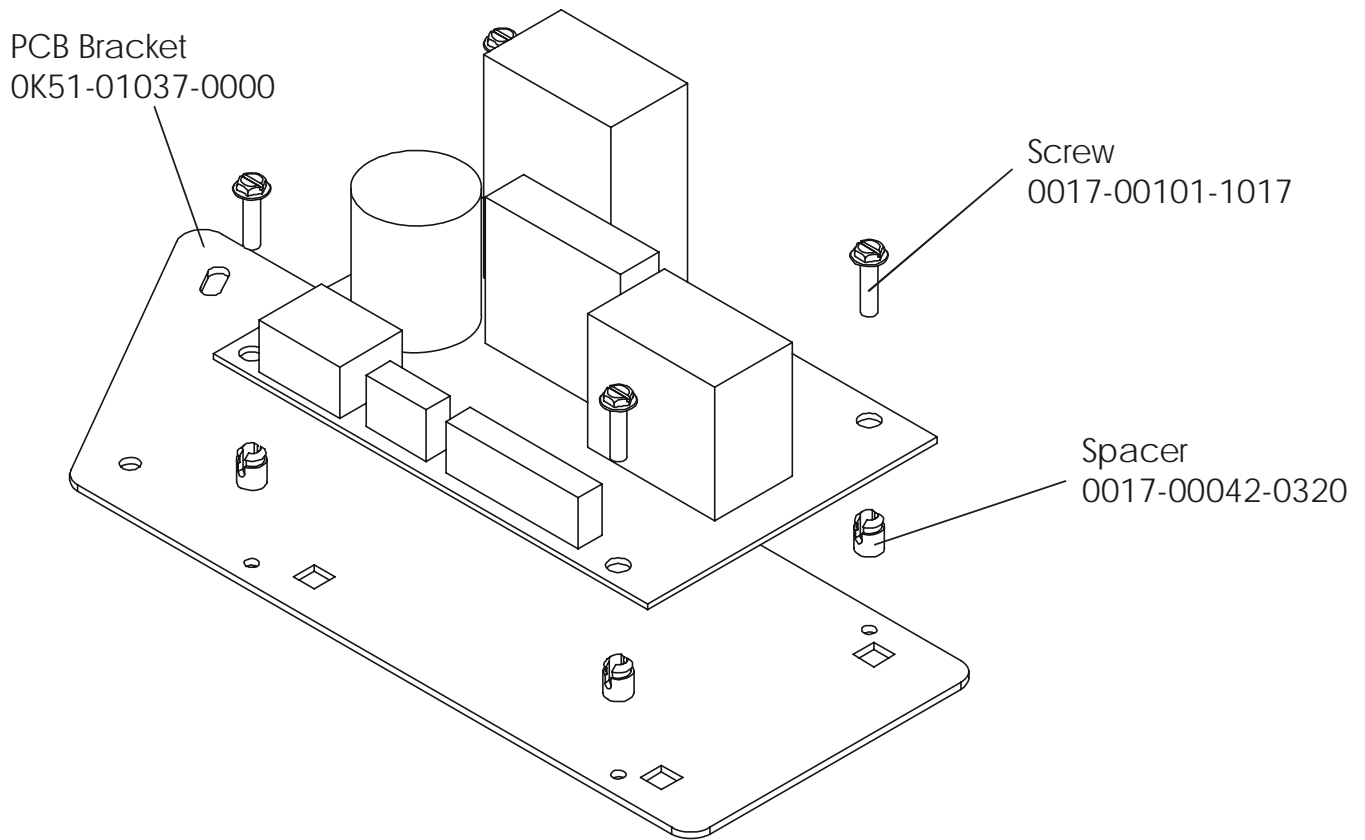


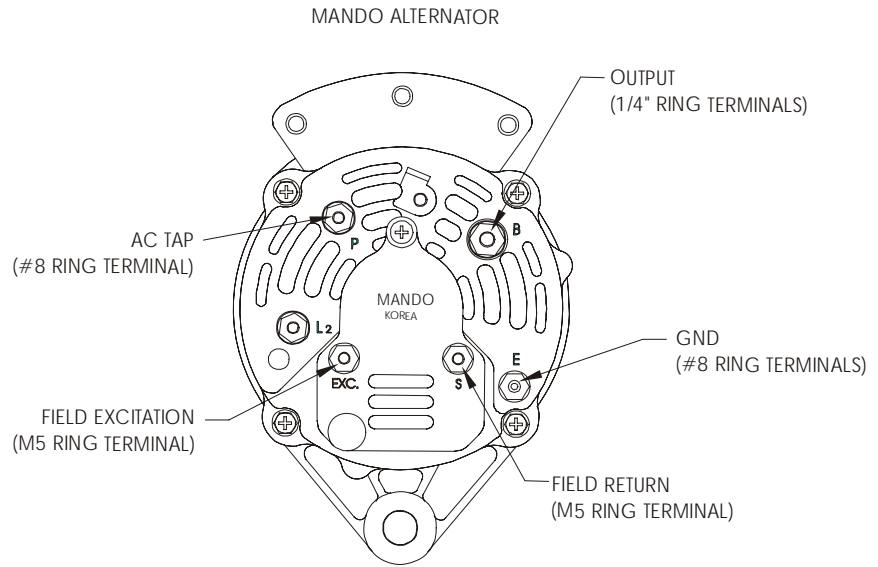




Available as a set only:
Shroud w/ Decal, RT & LT
GK63-00002-0016
Shroud Decal, RT
OK51-01081-0000

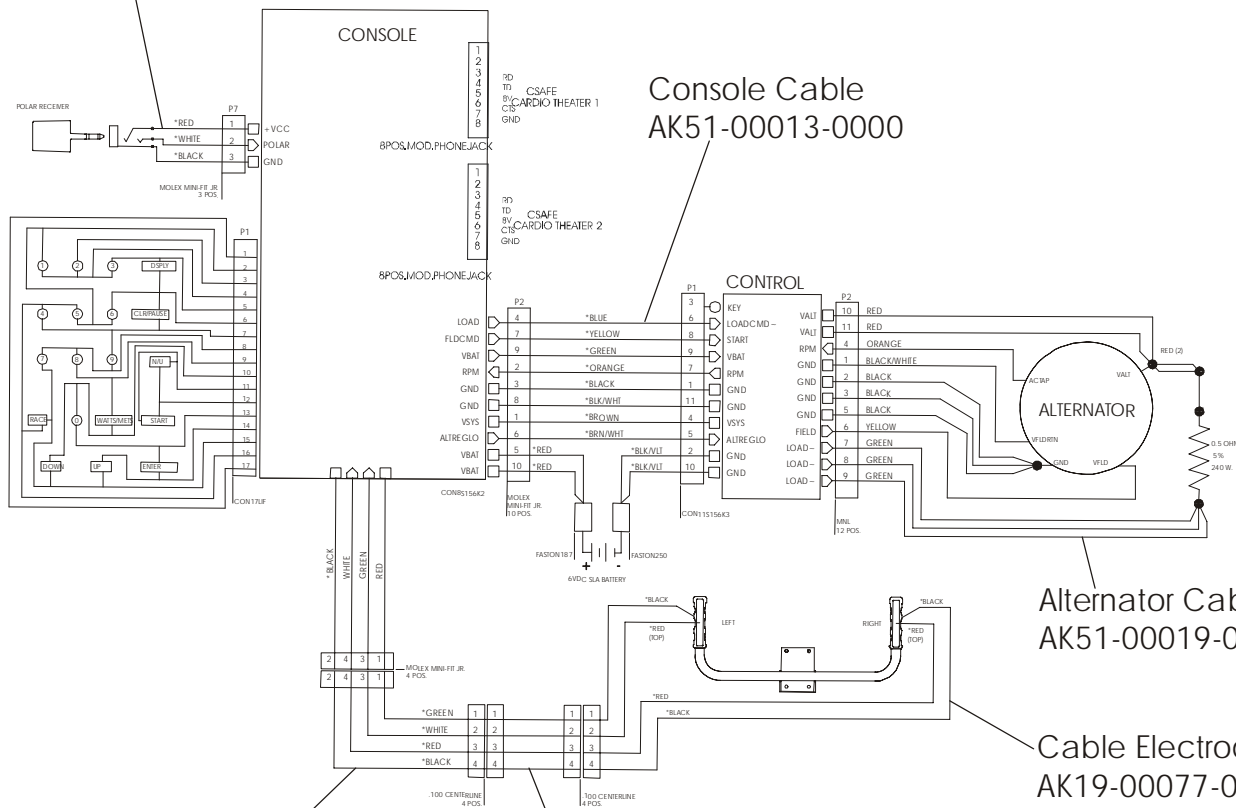
Shroud Screw (11)
0017-00101-0991





Polar Cable
AK36-00021-00002

Console Cable
AK51-00013-0000



Alternator Cable
AK51-00019-0000

Cable Electrodes
AK19-00077-0001

Heart Rate Cable
AK19-00081-0001

Flat-Flex Cable
AK19-00082-0001