

Hotpoint Service Offices

SERVICE CALL: If you have a problem with your appliance ring your local Service Office.
SPARES and ACCESSORIES: To purchase spares and accessories send your Accessories Order Form to your Spares Centre. If the accessory or spare part you want is not on the form then contact your Spares Centre for prices and availability.
 Please address all correspondence to Hotpoint Spares Centre or Hotpoint Service Office as applicable.

Service Offices and Spares Centres are open between 8.30 am-5.00 pm Monday to Friday, 8.30 am-12.30 pm Saturdays except on Public Holidays.

IRELAND
Northern Ireland:
 255 Ormeau Road, Belfast, BT7 2EZ.
 Tel: Belfast 6471111.
 Elm: 3536 Arvan Quay, Dublin 7.
 Tel: Dublin 725922.
 Spares and accessories may be ordered from either address.

NORTH WEST
 ● RENDAL: 29 Highgate, LA9 4SX.
 Tel: Kendal 24483.
 ● PRESTON: 24/25 Cannon Street, Preston, Lancashire, PR1 1JL.
 ST. HELENS: 40 Poplar Hill, St. Helens, Merseyside, WA10 2AD. Tel: St. Helens 35152.
 ● ELLESWERE POINT: 1 Church Parade, L55 2ER.
 Tel: 051-355 2141.
 ● STOCKPORT: 44/46 Station Road, Heaton Mersey, SK4 3QT.
 Tel: Service Office 061-442 8677.
 Spares Centre 061-432 0265.

WALES
 ● LLANBUDNO JUNCTION: Conwy Road, LL31 9RZ. Tel: Degeunwy 62826.
 ● BRIDGEND: 13 Western Avenue, Bridgend Industrial Estate, CF31 3SL.
 Tel: Service Office Bridgend 84121.
 Spares Centre Bridgend 84121.

WEST MIDLANDS
 ● STONE ON TRENT: West Avenue, Nelson Estate, Kidderminster, ST17 1TN.
 Tel: Kidderminster 774811.
 ● ALDRIDGE: Westgate, WS9 8JX.
 Tel: Service Office Aldridge 743374.
 Spares Centre Aldridge 743377.

SOUTH MIDLANDS
 ● DUNCOT: 224B Rowley, OX11 8RS.
 Tel: Didcot 817711.
 Spares and accessories may be ordered from either Aldridge or Wembley Centres.

SOUTH WEST
 ● BRISTOL: 3/5 Brington Hill, Brislington, BS4 5BD. Tel: Bristol 714471.
 ● PLYMOUTH: 69 Mulley Plain, PL4 6JH. Tel: Plymouth 262631.
 ● TOTTON: South Hampshire Industrial Park, Salisbury Road, SO4 3SA.
 Tel: Service Office Totton 851981.
 Spares Centre Totton 857553.

In accordance with its policy of progressive product design, the Company reserves the right to alter specifications.
 Hotpoint Ltd, Peterborough PE2 9JB, England

■ Service Office and Spares Centre
 ● Service Office only

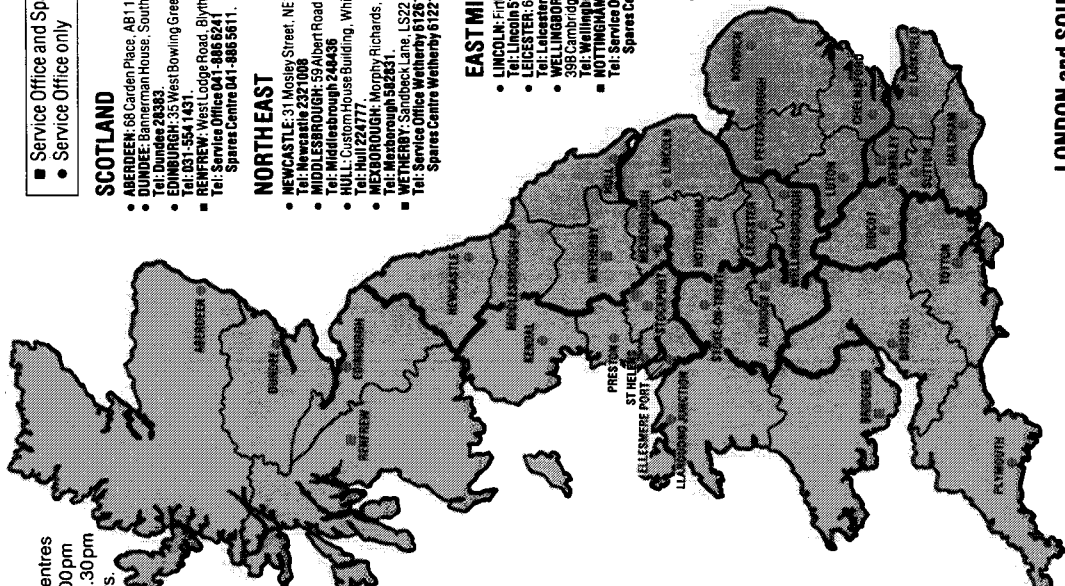
SCOTLAND
 ● ABERDEEN: 68 Carden Place, AB11 1UL. Tel: Aberdeen 642283.
 ● DUNDEE: 200 West Main House, South Tay Street, DD1 1NR.
 Tel: Dundee 24933.
 ● EDINBURGH: 35 West Bowling Green Street, Leith, EH6 5NX.
 Tel: 031-554 1431.
 ● RENFREW: West Lodge Road, Blythswood Estate. Tel: Service Office 041-886 6241.
 Spares Centre 041-886 5611.

NORTHEAST
 ● NEWCASTLE: 31 Mosley Street, NE1 1YF.
 Tel: Newcastle 232 2209.
 ● MIDDLISSBOROUGH: 50 Albert Road, TS1 1NG.
 Tel: Middlesbrough 246436.
 ● HULL: Custom House Building, Whitefriargate, HU1 2EU.
 Tel: Hull 224777.
 ● MEXBOROUGH: Morphy Richards, Swinton Works, S64 9AJ.
 Tel: Mexborough 562631.
 ● WETHERBY: Sandbeck Lane, LS22 4TW.
 Tel: Service Office Wetherby 6126161444.
 Spares Centre Wetherby 61221.

EAST MIDLANDS
 ● LINCOLN: Firth Road, LN6 7BW.
 Tel: Lincoln 612360.
 ● LEICESTER: 6599 Grange Gate, LE1 3HR.
 Tel: Leicester 424009.
 ● WEL LINGBOROUGH: 105, 107, 109, Wel Lingborough Street, Wel Lingborough, NNR 1DW.
 Tel: Wel Lingborough 223669.
 ● NOTTINGHAM: Ashing Street, NG2 3JB.
 Tel: Service Office Nottingham 862431.
 Spares Centre Nottingham 860387.

EASTERN
 ● NORWICH: 92 Upper St. Giles Street, NR2 7LJ.
 Tel: Norwich 620581.
 ● PETERBOROUGH: 100, 102, 104, Colchester Road, Peterborough, PE2 9JB.
 Tel: Peterborough 847471.
 ● LUTON: 5 Cawley Road, LU1 1HX.
 Tel: Luton 452211.
 ● CHELMSFORD: Industrial Buildings, Beehive Lane, CM2 9TE.
 For postal codes RM, IG, Chelmsford 092439.
 Remainder Essex Chelmsford 296331.
 Spares and accessories may be ordered from Hotpoint Spares Centre Stratford Dept., Colchester, Essex, PE2 9JB or Peterborough.

LONDON and SOUTH EAST
 ● SUTTON: 2 St. Nicholas Road, SM1 1EH. Tel: 01-643 8921.
 ● HAILSHAM: 1 Kingswood, North Street, BN27 1DQ.
 Tel: Hailsham 842733.
 ● WEMBLEY: 68 East Lane, HA9 7PQ.
 Tel: Office for S. Herts and Middlesex 01-904 4399.
 Office for postal codes W1, NW, WC, SW 1, 3, 6, 7, 10, SE, SE 5, SE 6, SE 7, SE 8, SE 9, SE 10, SE 11, SE 12, SE 13, SE 14, SE 15, SE 16, SE 17, SE 18, SE 19, SE 20, SE 21, SE 22, SE 23, SE 24, SE 25, SE 26, SE 27, SE 28, SE 29, SE 30, SE 31, SE 32, SE 33, SE 34, SE 35, SE 36, SE 37, SE 38, SE 39, SE 40, SE 41, SE 42, SE 43, SE 44, SE 45, SE 46, SE 47, SE 48, SE 49, SE 50, SE 51, SE 52, SE 53, SE 54, SE 55, SE 56, SE 57, SE 58, SE 59, SE 60, SE 61, SE 62, SE 63, SE 64, SE 65, SE 66, SE 67, SE 68, SE 69, SE 70, SE 71, SE 72, SE 73, SE 74, SE 75, SE 76, SE 77, SE 78, SE 79, SE 80, SE 81, SE 82, SE 83, SE 84, SE 85, SE 86, SE 87, SE 88, SE 89, SE 90, SE 91, SE 92, SE 93, SE 94, SE 95, SE 96, SE 97, SE 98, SE 99, SE 100.
 Spares Centre 01-904 0201.
 ● LARKFIELD: Larkfield Trading Estate, New Hynde Lane, ME20 6SW. Tel: Service Office Maidstone 710571.
 Spares Centre Maidstone 716631.



HOTPOINT HANDBOOK FREEZERS 8709 - 8729 - 8759.

Hotpoint®

Your new Hotpoint Freezer

Using your new freezer is very simple. Nevertheless, for your own safety and to get the best results it is important that you read right through this handbook **before** using your freezer for the first time.

Also do not load your freezer immediately it is switched on, but wait until the correct storage temperature has been reached (see page 9).

ELECTRICAL REQUIREMENTS

We recommend that this appliance is connected to the mains supply via a suitable switched socket in a readily accessible position.

All Hotpoint appliances come complete with a fitted plug. The plug on your freezer has a 13A fuse. If the plug does not fit your sockets, a new plug can be fitted. Cut off the old plug and throw it away, do not insert it into a socket elsewhere in the house as this could cause a shock hazard.

WARNING: THIS APPLIANCE MUST BE EARTHED.

IMPORTANT: Fitting a Different Plug:

The wires in the mains lead are coloured in accordance with the following code:

Green and Yellow	– Earth
Blue	– Neutral
Brown	– Live

If you fit your own plug the colours of these wires may not correspond with the identifying marks on the plug terminals. This is what you have to do:

1. Connect the green and yellow (Earth) wire to the terminal in the plug marked 'E' or with the symbol \equiv , or coloured green or green and yellow.
2. Connect the blue (Neutral) wire to the terminal in the plug marked 'N' or coloured black.
3. Connect the brown (Live) wire to the terminal marked 'L' or coloured red.

With alternative plugs a 5A fuse must be fitted either in the plug or adaptor or in the main fuse box. In the event of replacing a fuse in the plug supplied, a 13A ASTA approved fuse to BS1362 must be fitted.

If the plug is the moulded on type the fuse cover must be refitted when changing the fuse. In the event of losing the fuse cover the plug must **not** be used until a replacement fuse cover has been obtained and fitted. A new fuse cover can be obtained from your nearest Hotpoint Spares Centre or local Electricity Board. The colour of the correct replacement fuse cover is that of the coloured marks or insert in the base of the plug.

Mains Lead Replacement

If the mains lead on this appliance needs replacing at any time, it must be replaced by a special lead which is obtainable from your nearest Hotpoint Service Office (see back page). A charge will be made for the replacement of the mains lead if you have damaged the lead or require a longer lead.

WARNING: AVOID ACCIDENTS TO CHILDREN. WHEN DISCARDING AN OLD FRIDGE OR FREEZER BE CERTAIN TO MAKE THE LOCK UNUSABLE. IF POSSIBLE REMOVE THE DOOR AND DISCARD SEPARATELY. DO NOT ATTEMPT TO STAND OR SIT ON TOP OF YOUR APPLIANCE. IT IS NOT DESIGNED FOR SUCH USE AND YOU COULD INJURE YOURSELF OR DAMAGE THE APPLIANCE BY SUCH ABUSE.

WARNING: CHILDREN SHOULD NOT BE ALLOWED TO PLAY WITH THE APPLIANCE OR TAMPER WITH THE CONTROLS.

Contents

THIS BOOK COVERS MODELS 8709, 8729 & 8759

Page

Get to know your Freezer

4

Installing your Freezer

5-8

- Where to put your Freezer
- Decor panel trim kits
- Repositioning the door hinge
- Installing next to a Fridge or Larder Fridge

Getting your Freezer ready for use

9

- Starting and Running In

The Controls

10

- The Lights – what they mean
- Fast Freeze Switch
- Economy Switch
- Freezer Contents Cards

Storing Food

11-12

- Storing already frozen food
- Freezing fresh foods – maximum freezing loads and how to freeze them
- Do's and Don'ts

Caring for your Freezer

13-15

- Defrosting
- Cleaning
- Table Top
- Going Away

If your Freezer won't work

15

Hotpoint Service Cover

16

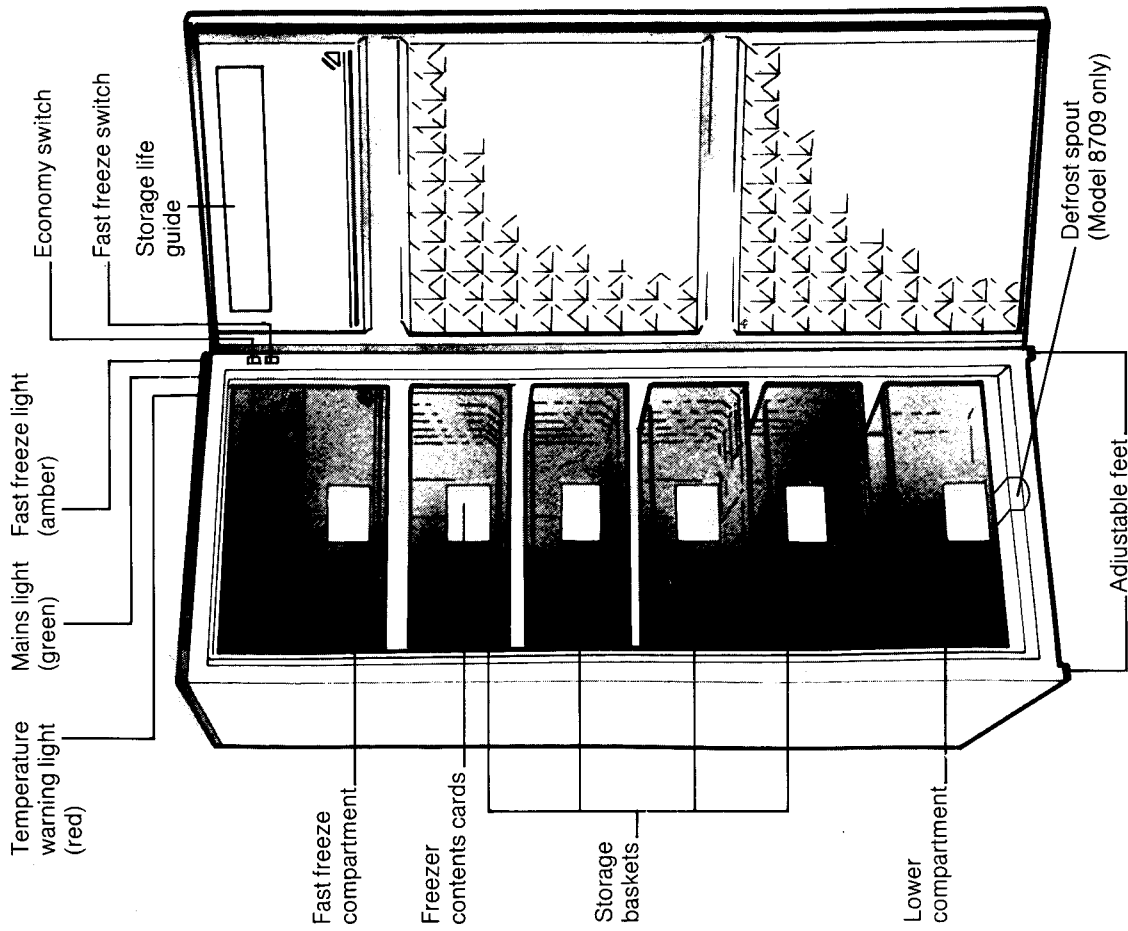
Hotpoint Service Offices and Spares Centres

Back Page

Retention of this Instruction Book

This Instruction Book must be kept handy for reference as it contains important details on the safe and proper use of the appliance. If you sell or pass the appliance to someone else, or move house and leave it behind, make sure this Book is also provided so the new owner can become familiar with the appliance and safety warnings. If the Book is lost or damaged a copy may be obtained from Hotpoint Ltd, Celta Road, Peterborough, PE2 9JB.

Get to know your Freezer



Model 8759

(Models 8729 and 8709 are smaller and have an air grille at the back of the work top.)

Hotpoint Service Cover

Satisfaction Guaranteed or Your Money Back

Hotpoint gives you a unique 'Satisfaction Guaranteed' promise – valid for ninety days after you have purchased your Hotpoint product. If there is a problem with your Hotpoint appliance just call your Hotpoint Service Office. If necessary we will arrange for an engineer to call. If the problem is not resolved by us under this Guarantee, Hotpoint will replace your appliance or, if you prefer, give you your money back. This Guarantee is additional and subject to the terms of Hotpoint's Five Year Parts Guarantee.

Hotpoint's Free Five Year Guarantee

From the moment your appliance is delivered, Hotpoint guarantees it for **FIVE YEARS**.

- In the Five Years all replacement parts are **FREE** provided they are fitted by our own Service Engineer. During the first year our Engineer's time and labour is also free. Our Guarantee also covers loss of food in our Refrigeration and Freezer products up to £250 during the first year. After the first year we will charge for our Engineer's time and labour. We do, however, operate a range of Service Plans (see opposite) which for an annual payment enables you to cover any repair costs which may be necessary.
- All our service repairs are guaranteed for twelve months in respect of our labour and any parts fitted.
- The appliance must be used in the United Kingdom and must not be tampered with or taken apart by anyone other than our own Service Engineer.
- You may, however, buy parts which can be safely fitted without specialist knowledge or equipment. The correct fitting of such parts, provided they are genuine Hotpoint spares, will not affect your Guarantee. Parts are available from our main Hotpoint Spares Centres (see back page).
- Our Guarantee does not cover the cost of any repair which is needed because of power cuts, accidents or misuse. Nor does it cover the cost of any visit to advise you on the use of the appliance. Please read the instruction book thoroughly.
- If at any time during the Guarantee period we are unable to repair your appliance, we will refund any repair costs paid to us in the previous twelve months. We will also offer you a new appliance at a reduced charge instead of a repair.
- Our Guarantee is in addition to and does not affect your legal rights.
- Should you need independent advice on your consumer rights, help is available from your Consumer Advice Centre, Law Centre, Trading Standards Department and Citizens Advice Bureau.

Installing your Freezer

Where to put your freezer

Your freezer should be placed where it is easy to use, alongside or beneath a work surface is often a good position. Avoid putting it near anything which gives off heat, a cooker or radiator for example. If this is unavoidable an air gap of 10mm ($\frac{1}{2}$ " **must** be left between the hot object and the freezer. In such a situation your freezer will have to work harder and will cost more to run.

Once you have decided on the most suitable place, make sure that there is adequate air circulation at the back of the freezer.

For Model 8729 or Model 8709 just push the freezer back until the grille is against the wall.

For Model 8759 fit the two wall spacers supplied to the top of the freezer back until the spacers are

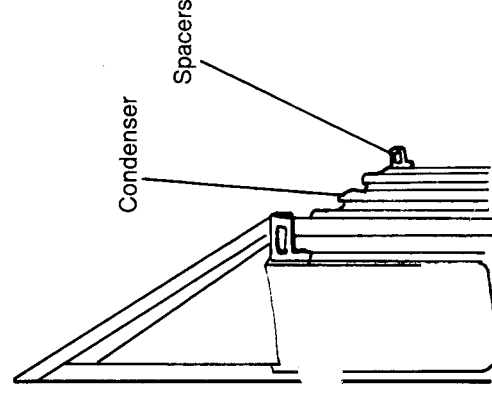
against the wall. This ensures adequate air circulation at the back of the freezer.

If Model 8729 or Model 8709 is placed underneath a work surface, ventilation **must** be provided by fitting a special grille at the rear of your work surface. A grille, Part No. 8040, is available from your retailer or nearest Hotpoint Spares Centre using the Accessories Order Form supplied with your freezer.

If Model 8759 is placed underneath any wall cupboards, make sure that there is a gap of at least 100mm (4in) between the top of the freezer and the underside of the cupboards.

Finally, make sure your freezer is standing correctly by carefully adjusting the two front feet by turning them clockwise or anti-clockwise, until all four feet are in firm contact with the floor. Correct adjustment avoids excessive vibration and noise.

On Model 8709, correct levelling ensures defrost-water drains from the spout (see page 13).



Model 8759 only



A Wheel Kit, Part No. 8031, for fitting to the back of your freezer, is available from your retailer or nearest Hotpoint Spares Centre using the Accessories Order Form supplied.

WARNING: YOU SHOULD NOT STACK YOUR FREEZER WITH ANY OTHER APPLIANCE.

Installing next to a Fridge or Larder Fridge

This can be done in one of two ways – either free standing or linked.

Free standing: Just slide in next to the Fridge, but leave a gap of 50mm (2") between the two appliances to avoid a build up of condensation. Make sure both appliances stand correctly (see page 5).

Linking: If you have either Hotpoint Freezer you can join them with the appropriate Larder Fridge to make them look like one unit.

To join Model 8729 with Model 8129/8221 or Model 8709 with Model 8109/8124 requires linking kit Part No. 8010 (Brown) or Part No. 8011 (White).

To join Model 8759 with Model 8149 requires linking kit Part No. 8020 (Brown) or Part No. 8021 (White).

These are available from your retailer

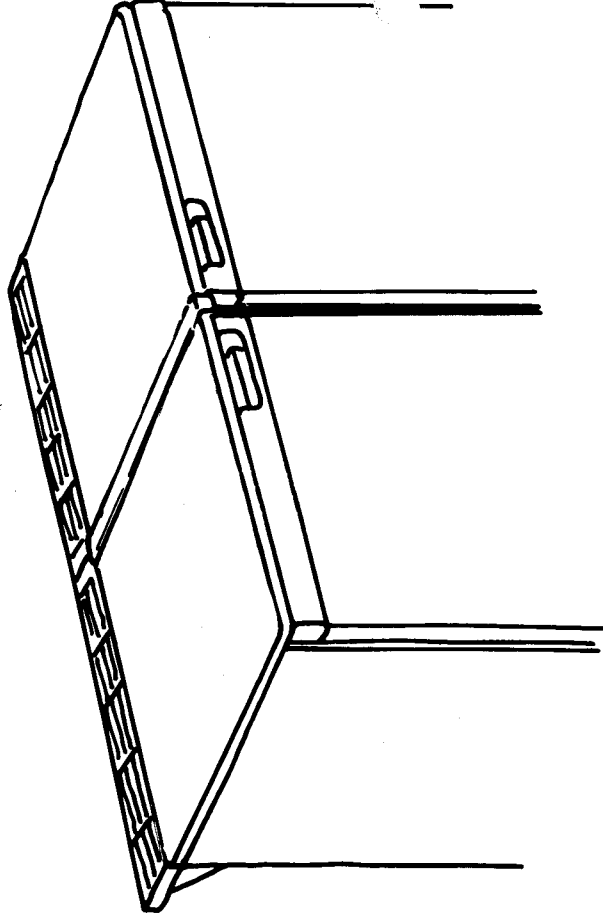
or nearest Hotpoint Spares Centre (see back page) using the Accessories Order Form supplied with your Freezer.

The kit comes complete with wheels so that the unit can be easily moved.

The widths of the linked appliances are as follows:

8214/8109 and 8709 – 998 mm (39.3 in)
8129/8221 and 8729 – 1108 mm (43.6 in)
8141 and 8759 – 1108 mm (43.6 in)

Note: To ensure that the doors function properly you will need to change the left hand appliance so that its door hinges on the left hand side (see pages 7 and 8). Also make sure that the two appliances stand correctly and firmly (see page 5).



Going away

If you expect to be away for any length of time and don't want to use your freezer, switch off at the socket outlet and pull out the plug. Remove all food and follow the defrosting instructions (see page 13). After defrosting dry out the interior. **Always** leave the door ajar to prevent the accumulation of odours.

If your Freezer won't work . . . don't panic

Just run through these quick checks before calling your nearest Hotpoint Service Office.

1. Check that the plug is firmly in the socket outlet and that the power supply is on.
2. Check the power supply to the socket outlet by plugging in another appliance.
3. If the other appliance works, check the fuse in the freezer's plug.
4. If you have changed the plug, check the wiring (see page 2).
5. If there is excessive noise or vibration, check that all four feet are firmly in contact with the ground (see page 5).
6. If water droplets appear on the outside of the cabinet, check that you have the Economy switch set on 'H' (see page 10).
7. You may find the freezer difficult to open just after you have used it. This is due to a pressure difference which will soon equalise. Wait a few minutes then open the door.

If, after following all these instructions, you are still having

problems, contact your nearest Hotpoint Service Office (or local importer if outside the United Kingdom). The telephone number is shown on the back page.

When you contact us we need to know:

1. Your name, address and post code.
2. Your telephone number.
3. Clear and concise details of the fault.
4. The model number (8709, 8729 or 8759), serial number (found on the top inner edge of the appliance), and colour.
5. When it was purchased. Please put the date here
6. If you have subscribed to the Hotpoint Service Cover Plan.

Make sure you have all these details before you call.

Spare Parts

Please remember your new appliance is a complex piece of equipment.

'DIY' repairs or unqualified and untrained service people may put you in danger, could damage the appliance and might mean you lose cover under Hotpoint's Parts Guarantee.

If you do experience a problem with the appliance don't take risks; call in Hotpoint's own Service Engineer. The address and telephone number of your nearest Hotpoint Service Office in your local telephone directory.

Our spare parts are designed exclusively to fit only Hotpoint appliances. Do not use them for any other purpose as you may create a safety hazard.

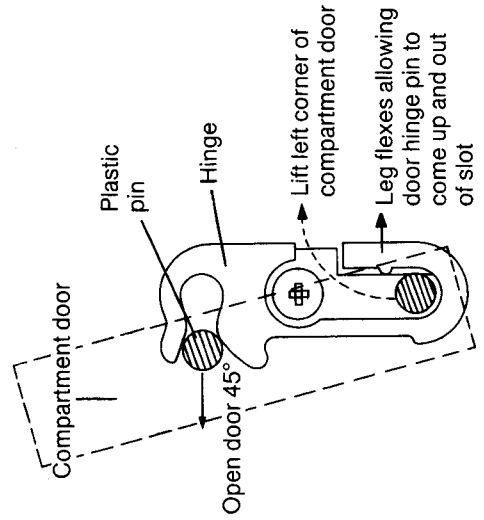
Cleaning your Freezer

It is a good idea to clean the inside of your freezer after defrosting. Always **switch off at the socket outlet and pull out the mains plug first**. Wipe out the inside of the freezer using a clean cloth wrung out in either a solution of one teaspoonful of bicarbonate of soda to one pint of water or Milton diluted according to the manufacturer's instructions. The complete interior including the door, and removable parts, should be washed.

Removing Fast Freeze and Lower Compartment Doors (Model 8709 only)

Note: For cleaning and better access when defrosting, the Lower Compartment and Fast Freeze Compartment doors can be removed without using any tools.

This is done by opening the compartment door 45 degrees and lifting the **left hand corner** so that the pin comes up and out of the special hinge. The door can then be



removed from the right hand hinge by pulling the door to the left.

To replace each door after cleaning: Ensure the upper door pins are positioned in front of the hinges. Fit the right hand, bottom door pin into the bottom slot in the right hand hinge. Then pull the left hand bottom pin in through the back slot in the left hand hinge. Press down on the left top corner of the door so that the door goes fully home in the hinge.

Never use any household cleaner or detergent, abrasive powders or wax polish. These not only damage the surfaces, but also leave a smell in the freezer. **Before** you refill the freezer ensure it is thoroughly dry.

Clean the outside of your freezer, **but not the door seal and handle**, with a damp cloth, using a small amount of detergent, followed by a wipe down with a clean cloth. **Do not** use an abrasive powder. **The rubber door seal and handle must be cleaned with soap and water only as detergent will damage it.**

Finally, the compressor and condenser at the back of the freezer can be carefully cleaned. Use a brush or vacuum cleaner to remove any dust. **Always** check that the freezer is disconnected from the mains electricity supply **before** doing this.

Remember to re-connect the mains plug and switch on after cleaning your freezer.

Table top

This is designed to serve as an extra work surface, but be careful with it. **Do not** drop/place heavy objects on it or sit on it.

Fitting decor panels to match your kitchen units

For that fully co-ordinated kitchen look it is possible to fit a matching decor panel to your freezer. A special trim kit is available from Hotpoint that attaches to the edges of the appliance door and enables a decor panel, up to 4 mm (1/8 in) thick, to be fitted. Decor panels are available from most kitchen suppliers.

Model 8729 and Model 8709 require trim kit Part No. 8001 (Brown) or Part No. 8004 (White)

Model 8759 requires trim kit Part No. 8002 (Brown) or Part No. 8005 (White)

These are available from your retailer or nearest Hotpoint Spares Centre (see back page) using the Accessories Order Form supplied with your freezer.

Repositioning the door hinge

Just follow the step by step instructions below:

Tools Required: A 7 mm/8 mm A/F Spanner or a No. 2 Pozidriv.

1. Take out all the loose fittings from inside the freezer.
2. **Carefully** lay the freezer on its back (you may need assistance for this). **Take care to avoid damage to the pipework by keeping it off the floor or by laying it on some protective material (eg. its original packaging).**
3. Unscrew and remove the two front feet (**A**).
4. Remove the clamping plate (**B**) and bottom hinge (**C**) (also the spacer (**X**), Model 8729 only) by

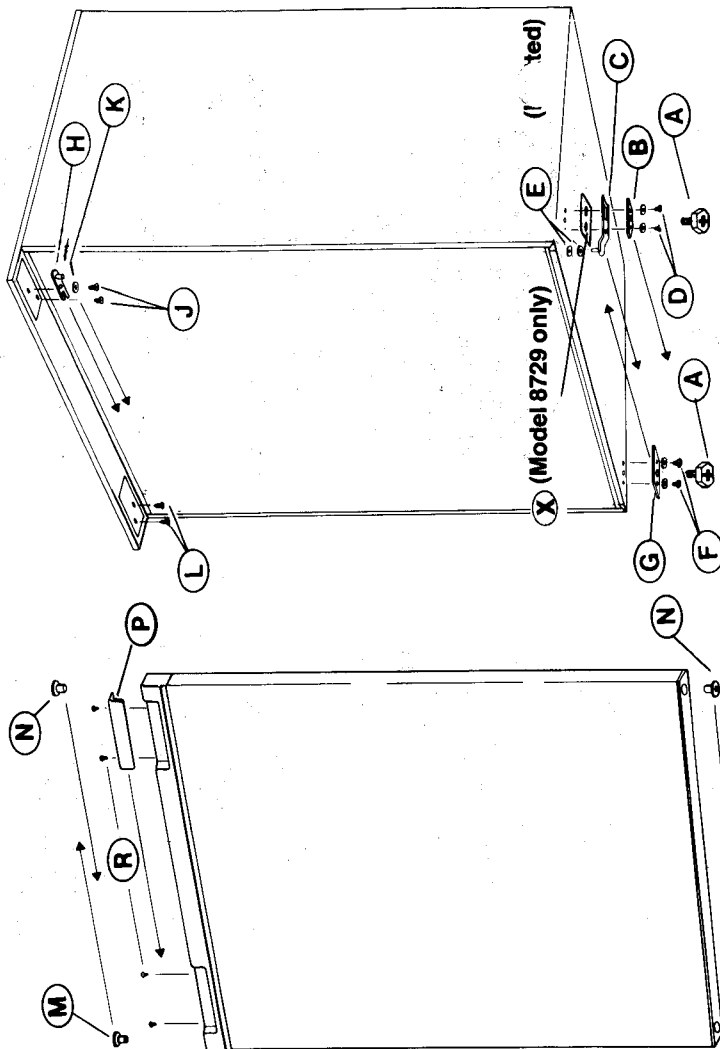
unscrewing the two screws (**D**). Make sure that if any packing washers (**E**) are fitted they are left on the hinge pin.

5. Remove the bottom screws (**F**), washers and plate (**G**) and fit them on the opposite side of the cabinet, making sure the hole in the cabinet for the foot is not covered over.
6. Remove the door by gently pulling it downwards until clear of the top hinge.
7. Remove the top hinge (**H**) by unscrewing the two screws (**J**) – replace the screws (**J**) but not the washer (**K**). Make sure the screw heads do not protrude below the recess.
8. Remove the two screws (**L**) in the opposite recess and use them to fit the top hinge (**H**), with the washer (**K**) on top, in the recess. Tighten the screws so that they are just gripping the hinge.
9. Before re-fitting the door, the plug (**M**) and the top and bottom hinge bushes (**N**) must be swapped over. Prise them out of their location, taking care not to mark the adjacent surfaces. Reposition them on the opposite side of the door.
10. Reposition the door handle insert (**P**) on the opposite side of the door. To do this, remove the four screws (**R**), lift up and swap over the insert. Refit the four screws.
11. Refit the door by laying it on the cabinet and, sliding it upwards, locate the top hinge bush on the top hinge pin. Adjust the position of the top hinge so that the door fits evenly.

Caring for your Freezer

- With all the packing washers that may have been originally fitted (E) retained on the pin, fit the bottom hinge pin (C) into the hinge bush (N). Adjust as necessary so the door fits evenly.
- The bottom hinge can now be secured to the cabinet using the clamping plate (B) and spacer (X), Model 8729 only and two screws (D). The clamping plate should be fitted with the long straight side facing the outside edge of the cabinet and the large hole towards the rear of the cabinet.
- Replace both adjustable front feet (A) setting them at approximately 25 mm (1 in) from

- the bottom of the cabinet. Carefully stand the freezer up (you may need assistance for this) and put it where you have decided to locate it. Ensure it is standing correctly by adjusting the two front feet until all four feet are in firm contact with the floor.
- Check the door opens and closes easily. **Ensure the door seal does not bind on the hinge side and that there are no gaps allowing air into the cabinet.** Adjust the hinges if necessary.
- Tighten the top hinge screws.
- Finally put back all the loose fittings inside the freezer.



Defrosting

Why and When:

Excessive frost build-up reduces the efficiency of your freezer so from time to time remove the frost using the plastic scraper supplied.

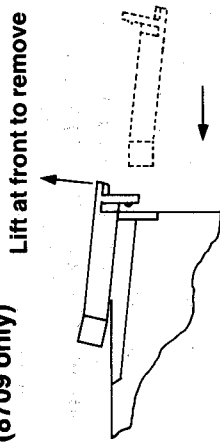
Never use sharp metal tools to remove the frost – they will damage your freezer.

When the ice becomes about 6 mm (1/4") thick on the refrigerated surfaces completely defrost the freezer. You should find you only need to do this about once or twice a year, depending on usage. Try to defrost when there is little or no food in the freezer.

Defrosting must be carried out as quickly as possible since a rise in the temperature of your frozen food may reduce the recommended storage time. Just follow these steps:

- Switch off and pull out the mains plug.**
- Remove any frozen food. Wrap it in several layers of newspaper or a blanket and, using the storage baskets, put it in a cool place.
- Place bowls of hot water in the Fast Freeze compartment and lower compartment. On Model 8709, fit the defrost spout to the base of the freezer by turning the spout over and then push into the slot provided. See diagram above. Place a container beneath the spout to collect the defrost water.

Fitting the defrost spout (8709 only)
Lift at front to remove



Turn over spout and push in slot for defrosting. Place container under spout to collect water. To ensure that the defrost water is drained effectively Model 8709 must be level. See page 5 for the correct adjustment of the levelling feet.

SIDE VIEW

- As soon as the frost begins to melt use the plastic scraper to chip it off.
- Sponge out any defrost water which collects in the bottom of the freezer.
- After defrosting remove the bowls and dry the interior thoroughly.
- Replace the mains plug and switch on. Press '*' (ON) on the Fast Freeze switch. Unwrap the frozen food and replace. On model 8709 don't forget to remove spout from the slot. Close the door.
- After three hours press 'O' (OFF) on the Fast Freeze switch. The amber light will go out.
- Job done!

Getting your Freezer ready for use

- Fast Freeze and lower compartments to the storage baskets.
2. Press '*' (**ON** position) on the Fast Freeze switch. The amber Fast Freeze light will come on. If the freezer has not been in use it will be necessary to set the Fast Freeze switch to '*' at least 3 hours before putting in the fresh food. Also if you set the Fast Freeze switch to '*' 24 hours beforehand you will be able to freeze slightly larger quantities.
 3. Press '**H**' on the Economy switch to avoid condensation on the outside of the freezer.
 4. Put 8kg (17.5lb) for Model 8729 and 10kg (22lb) for Model 8759 of fresh food into the Fast Freeze compartment and the remainder in the lower compartment with as much food as possible in contact with the compartment floors.
 5. Leave the switches on for 24 hours then reset the Fast Freeze switch to '**O**' and the Economy switch to '**E**'.

Do's and Don'ts

- DO**
- Do:-** Always choose high quality fresh food and be sure it is thoroughly clean before you freeze it.
- Do:-** Prepare fresh food for freezing in small portions to ensure rapid freezing.
- Do:-** Remember lean foods last longer than fat foods and salt will reduce storage life.
- Do:-** Wrap all foods in aluminium foil or polythene freezer bags and make sure any air is excluded. Keep the door shut when

- freezing fresh foods.
- Do:-** Separate food in different baskets for easy identification.
- Do:-** Wrap frozen food when you buy it and put it into the freezer as soon as possible.
- Do:-** Store commercially frozen food in accordance with the instructions given on the packets that you buy.
- Do:-** Defrost the freezer before the ice becomes thick (see page 13).

DON'T

- Don't:-** Exceed the maximum freezing loads when freezing fresh food (see pages 11 and 12).
- Don't:-** Put hot food into the freezer. Let it cool down first.
- Don't:-** Leave the door open for long periods as this will cause excessive ice formation and make the freezer more costly to run.
- Don't:-** Put liquid-filled bottles or sealed cans containing carbonated liquids (fizzy drinks, etc) into the freezer as they may burst.
- Don't:-** Try to keep frozen food which has thawed; it should be eaten within 24 hours or cooked and refrozen.
- Don't:-** Give children lollipops and water ices direct from the freezer. The low temperature may cause 'freezer burns' on their lips.
- Don't:-** Store poisonous or dangerous substances in the freezer. Your freezer has been designed for the storage of edible foodstuffs only.

Before using your freezer for the first time the interior, including the door, and all removable parts should be wiped out. Use a damp cloth wrung out in either a solution of one teaspoonful of bicarbonate of soda to one pint of water or Milton diluted according to the manufacturer's instructions.

WARNING: NEVER USE ANY HOUSEHOLD CLEANER OR DETERGENT, ABRASIVE POWDERS OR WAX POLISH. THESE NOT ONLY DAMAGE THE SURFACES, THEY ALSO LEAVE A SMELL IN THE FREEZER.

Final check

Before you start using the freezer, check that

1. it is thoroughly dry inside,
2. air can circulate freely, at the rear,
3. the feet have been adjusted, i.e. all four are firmly on the ground.

Starting

Insert the plug into the wall socket and switch on the electricity supply. The green (mains) and red (temperature warning) lights will come on together and your freezer will start working. You will hear a noise as the compressor starts up. If you are going to store already frozen food open the freezer door and check that the Fast Freeze switch is '**O**' (off). The red light will go out when the freezer has reached the correct temperature. Then you can put in your already frozen food.

Note: Your freezer is designed only for domestic purposes for the freezing of fresh food and storing of frozen food.

If you are going to freeze fresh food, you must press '*' (**ON**) on the Fast Freeze switch. The amber light will come on and you must **wait at least three hours** before putting in your fresh food to be frozen. Do not put more than 10.5kg (23lb) of fresh food to be frozen in Model 8709, 12kg (26.5lb) in Model 8729 or 14kg (30.8lb) in Model 8759 (see pages 11 and 12).

Running-in the compressor

Your freezer is operated by a compressor which switches on and off in order to maintain the freezer's temperature. The compressor is a precision piece of machinery like a car engine, and requires a running-in period of up to 2 months. During this time the compressor has to work a little harder and this may result in more noise than usual.

Note: Your freezer is designed only for domestic purposes: for the freezing of fresh food and storage of frozen food.

The Controls

Controlling the Temperature

Your freezer is fitted with a factory set thermostat control which does not require any adjustment.

In the summer months, or in conditions giving high temperatures around the freezer the compressor has to work harder and run for longer periods. This is quite normal. Conversely, during cold weather the compressor will run for much shorter periods.

A fridge/freezer thermometer, Part No. 8058 is available to ensure that you maintain your appliance at the correct temperature. This can be ordered from your local Hotpoint Spares Centre (see back page) using the order form enclosed.

Green Mains Light

Comes on and stays on as long as the electricity supply is not interrupted.

Red Temperature Warning Light

Comes on when the temperature inside the freezer rises above the correct storage temperature. If it comes on for a short period when you open the door to load or unload food, storage times will not be affected. However, if the red light stays on this indicates that something is wrong. First check that the door has not been accidentally left open. If this is not the case, call your nearest Hotpoint Service Office (see back page). If the delay is likely to be longer than 12½ hours for Model 8709, 15½ hours for Model 8729 or 15 hours for Model 8759 then the food should either be defrosted and eaten immediately; defrosted,

cooked and then refrozen or transferred to another freezer.

Fast Freeze Switch and Amber Fast Freeze Light

Press '★' (ON position) when freezing fresh food and the amber light will come on (see Freezing Fresh Foods, page 11).

Economy Switch

Press 'E' (Economy position) for normal conditions.

If the room is cold or humid or if freezing fresh food, water droplets may form on the outside of the freezer. When this happens press 'H' (Humid position). A low energy heater will come on and the water droplets will disappear. When conditions return to normal reset the switch to 'E'.

Note: When the switch is set on 'H' the outside front edges of the freezer may feel warm. This is normal.

Freezer Contents Cards

Use a soft pencil to itemise both the contents of the freezer and 'use by' dates. Use a soft rubber to remove the writing.

Storing Food

Storing food in your freezer

Your freezer carries the ******* symbol which indicates that it is suitable for the long-term storage of commercially frozen foods and also can be used to freeze and store fresh food.

Model 8709 will store up to 28kg (61.4lb) of frozen food, Model 8729 store up to 32kg (70lb) and Model 8759 up to 55.5kg (122.4lb). These figures are based on an average density of 0.32kg of mixed food per litre of net storage volume (20lb per cubic foot). In the case of meat they will take appreciably more.

Generally speaking long-term storage means up to 3 months, but this will vary with the nature of the packaged food, so always follow the manufacturer's recommended storage time given on the packet. For storing home frozen fresh food refer to the pictorial guide on the door liner.

If there is a power failure **do not open the door**. Frozen food should not be affected if the failure is less than 12½ hours for Model 8709, 15½ hours for Model 8729 or 15 hours for Model 8759. If the failure is longer then the food should be checked and either eaten immediately or cooked and then refrozen.

Freezing Fresh Foods

Maximum Freezing Loads

You can freeze up to 10.5kg (23lb) of fresh or cooked food in Model 8709, 12kg (26.5lb) in Model 8729 and up to 14kg (30.8lb) in Model 8759 in any 24 hours. Slightly larger quantities can be frozen if the Fast Freeze

switch is set to '★' (ON) 24 hours beforehand.

Freezing up to 10kg (22lb) in Models 8729 and 8759 and up to 10.5kg (23lb) in Model 8709

1. Transfer any frozen food from the Fast Freeze compartment to the storage baskets or lower compartment.
 2. Press '★' (ON position) on the Fast Freeze switch. The amber Fast Freeze light will come on. If the freezer has not been in use it will be necessary to set the Fast Freeze switch to '★' at least 3 hours before putting in the fresh food.
 3. Press 'H' on the Economy switch to avoid condensation on the outside of the freezer compartment.
 4. For Models 8729 and 8759 put the fresh food into the Fast Freeze compartment with as much food as possible in contact with the compartment floor. For Model 8709 put 7.5kg (16.5lb) of fresh food into the Fast Freeze compartment and the remainder in the empty lower compartment with as much food as possible in contact with the compartment floors.
 5. Leave the Fast Freeze switch on for 24 hours if the maximum quantity (10kg) is being frozen or proportionally less time for smaller quantities.
 6. Reset the Fast Freeze switch to 'O' and the Economy switch to 'E' when freezing is complete.
- Freezing up to 12kg (26.5lb) in Model 8729 and up to 14kg (30.8lb) in Model 8759**
1. Transfer any frozen food from the