

OWNER'S MANUAL

Sound Enclosure Extension Wings For SE1612

THE REASON FOR USING SOUND ENCLOSURE EXTENSION WINGS

In some cases, you may wish to use SpeakerCraft SE1612 sound enclosures in a T-Bar ceiling or across 24" on-center studs or joists. Attaching the extensions to the SE1612 makes this possible.

ATTACHING THE EXTENSION WINGS TO THE SE1612

With the sound enclosure face down, slide each extension wing through the tabs on the back of the enclosure. (See Diagram 1) Secure the extensions wings into position, using the screws provided.

MOUNTING THE SE1612 WITH WINGS ATTACHED

Drop Ceiling Installation

1. Bend back the end of each wing so that it will drop into the opening. (See Diagram 2) This is easily done using a pair of pliers and bending at the point the wing is scored. The bend should be made so that it goes towards the back of the enclosure.
2. Cut the ceiling tile to match the speaker cut-out, then position the enclosure above the cut ceiling tile. (See Diagram 3) Be sure that the enclosure is secure in its position on the T-Bar and not in danger of falling.
3. Run the speaker cable into the enclosure and tighten the cable clamp.
4. The enclosure is ready for speaker installation.

Mounting Across Studs or Joists

1. Position the enclosure between studs/joists and simply screw or nail the extension wings onto the studs/joists.
2. Run the speaker cable into the enclosure and tighten the cable clamp.
3. The enclosure is ready for drywall and speaker installation.

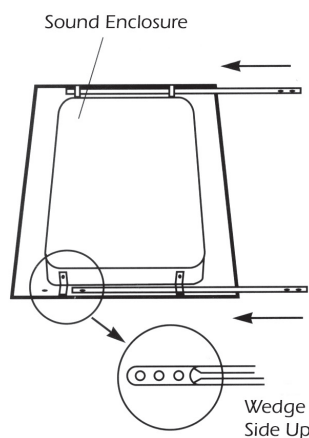


Diagram 1

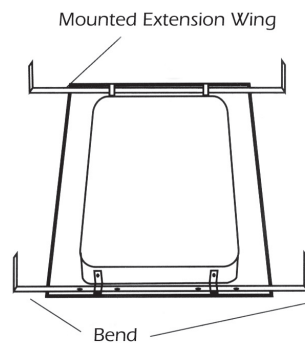


Diagram 2
(Drop Ceiling Installation Only)

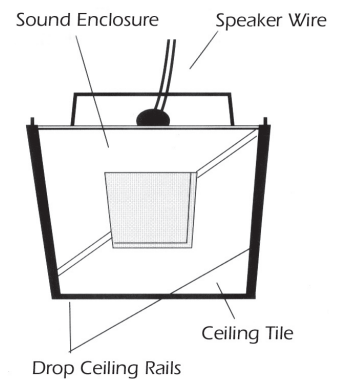


Diagram 3

SpeakerCraft offers a variety of accessories to make your installation of this and other SpeakerCraft products easy, economical, and professional. Contact your authorized SpeakerCraft Dealer for more information.

Should you have any questions regarding this, or any other SpeakerCraft product, please call our toll-free service hotline at 1-800-448-0976. We are available to assist you every weekday, except holidays, between the hours of 7:00 a.m. and 5:00 p.m. PST.

SpeakerCraft ■ 940 Columbia Ave. Riverside, CA 92507 ■ 800-448-0976 ■ Fax 951-787-8747
www.speakercraft.com

LIT90637(rev2)

SpeakerCraft®