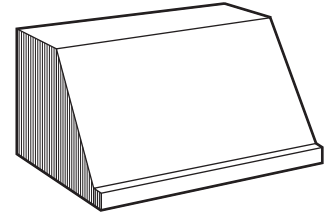


K260A SERIES RANGE HOOD



Provides high ventilation and durable construction to meet the needs of professional-style cooking appliances. A complete installation requires several optional components.

FEATURES

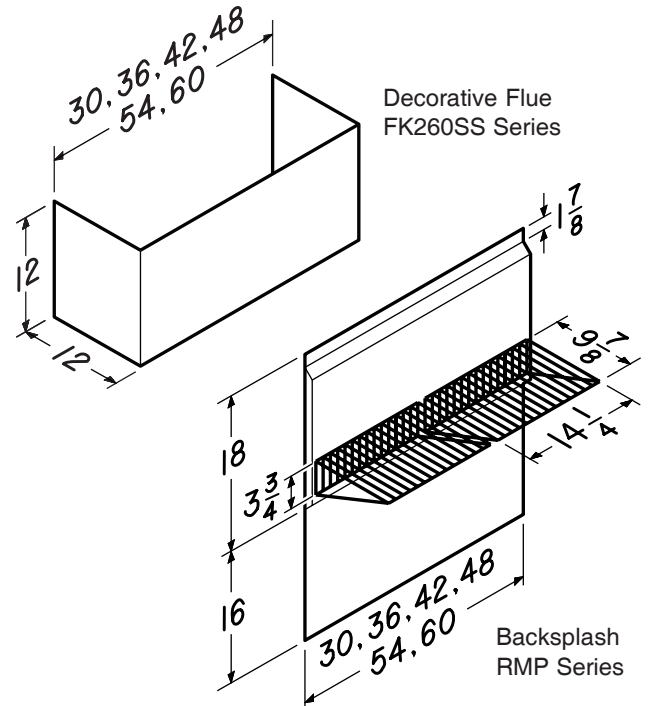
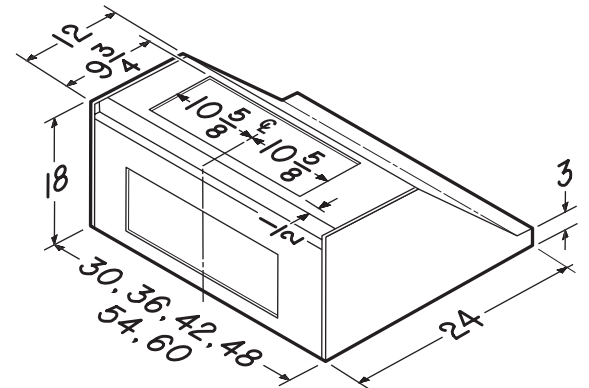
- 430 Stainless Steel construction - 22 gauge
- Hood width: 30" to 60" in 6" increments
- Halogen lighting (2 x 50 watt GU10 for 30", 36" and 42" hood, 4 x 50 watt GU10 for 48", 54" and 60" hood) Lamps included
- Switch controls: lighting, on-off, blower infinite speed
- Easily accessible, dishwasher-safe filters
- Heat Sentry turns blower ON to HIGH speed when excess heat is detected

OPTION

- Backsplash (RMP Series): Widths - 30" to 60" in 6" increments. Stainless Steel construction - protects back wall and wipes clean easily
- Decorative flue (FK260SS Series): Widths - 30" to 60" in 6" increments
Stainless Steel construction - hides ducting and wipes clean easily
- Designed for use with interior blower models P6 or P12, exterior blower models EB6, EB9, EB12, or EB15, and in-line blower models ILB3, ILB6, ILB9 or ILB11 (Purchase blowers separately)
- Baffle filters available (BFK Series)

SPECIFICATIONS

120 VAC, 60 Hz
Amps for 36" hood (without blower): 0.8 A
Amps for 48" hood (without blower): 1.7 A

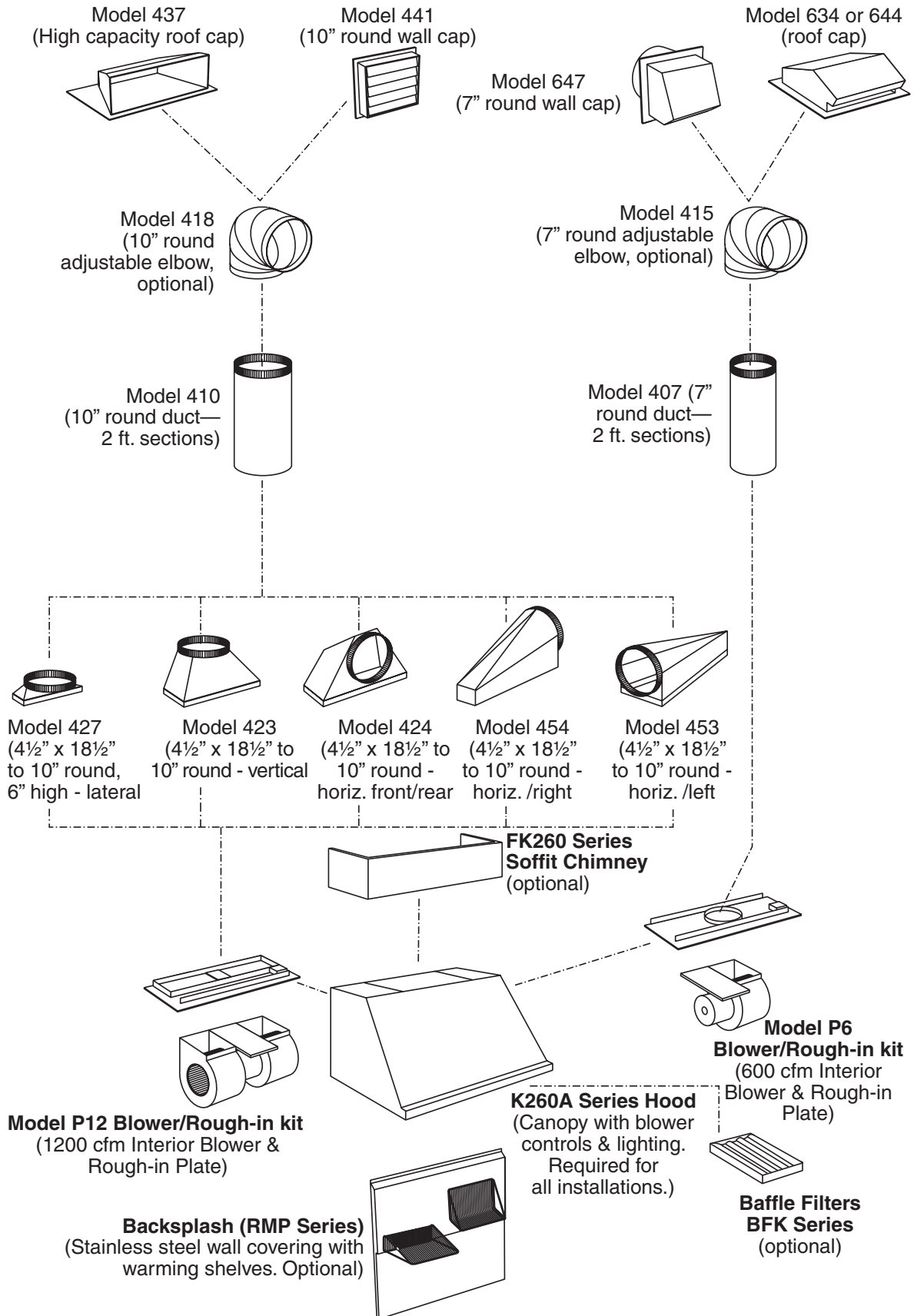


BEST BY BROAN P.O. BOX 140 HARTFORD, WISCONSIN 53027

REFERENCE	QTY.	REMARKS	Project	
			Location	
			Architect	
			Engineer	
			Contractor	
			Submitted by	Date

- K260A SERIES RANGE HOOD SYSTEM -

INTERIOR BLOWERS



- K260A SERIES RANGE HOOD SYSTEM - IN-LINE AND EXTERIOR BLOWERS

