



HEARTH PRODUCTS

HEARTH PRODUCTS
KITS AND ACCESSORIES

750,253M
REV. NC 06/2008

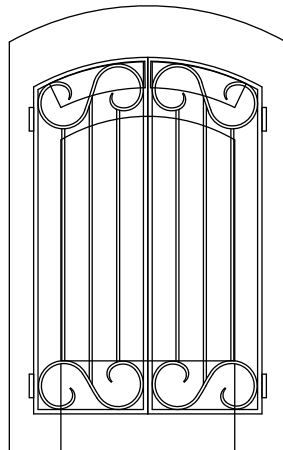
Cat. No	Model	Description
H5775	ADAGIO-IG	Garden Gate, Vintage Iron Facade
H5776	ADAGIO-CPD	Garden Gate, Vintage Copper Facade

INSTALLATION INSTRUCTIONS FOR FACADE KITS FOR USE WITH ADAGIO™ DIRECT-VENT GAS FIREPLACES



KIT CONTENTS:

- 1 ea. Facade Assembly
- 1 ea. Left Gate
- 1 ea. Right Gate



Iron Garden Gate Facade
Copper Garden Gate Facade

TOOLS / SUPPLIES NEEDED:

None

Installer: Leave This Instruction Sheet With The Appliance.
Consumer: Retain This Instruction Sheet For Future Reference.

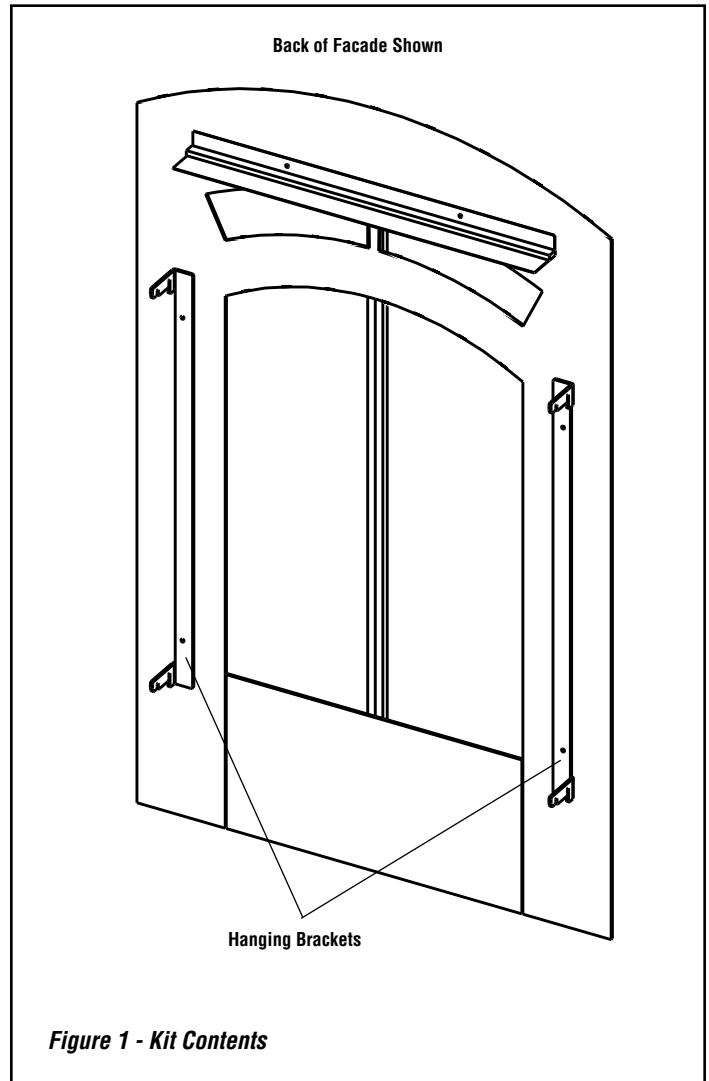
GENERAL INFORMATION

These decorative facade kits are offered in two attractive styles, Iron Garden Gate and Copper Garden Gate. If you encounter any problems or need clarification of these instructions, contact your local distributor or dealer.

Note: The framing of the appliance will need to be elevated by 3/4" minimum above the floor to allow for the proper fit of the facade (i.e. 3/4" board as platform). See Installation Instructions Manual.

INSTALL ONLY WHEN FIREPLACE IS OFF AND COOL.

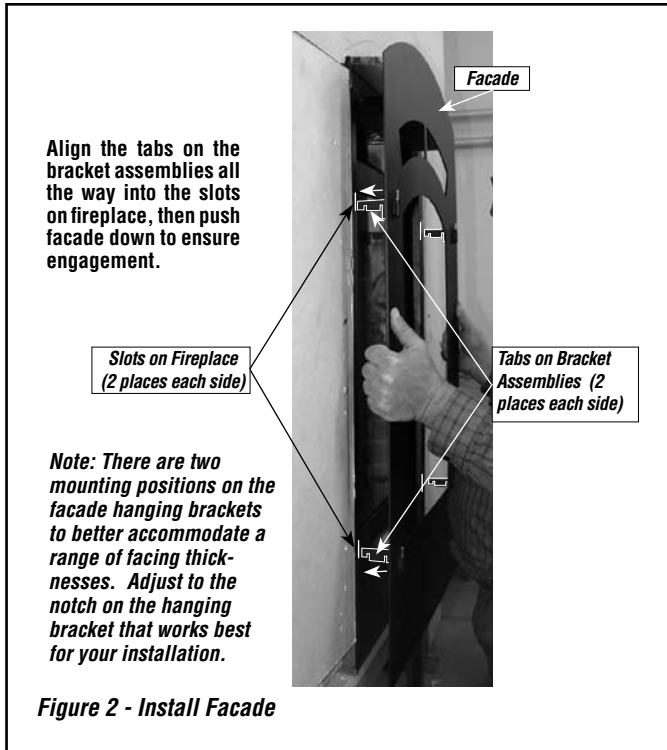
ALL WARNINGS, PRECAUTIONS AND INSTRUCTIONS PROVIDED IN THE INSTALLATION INSTRUCTIONS MANUAL AND THE CARE AND OPERATION MANUAL PROVIDED WITH THE APPLIANCE APPLY TO THESE INSTRUCTIONS. THOROUGHLY READ AND FOLLOW THE INSTRUCTIONS PROVIDED WITH THE APPLIANCE BEFORE PROCEEDING TO THE FOLLOWING INSTRUCTIONS.



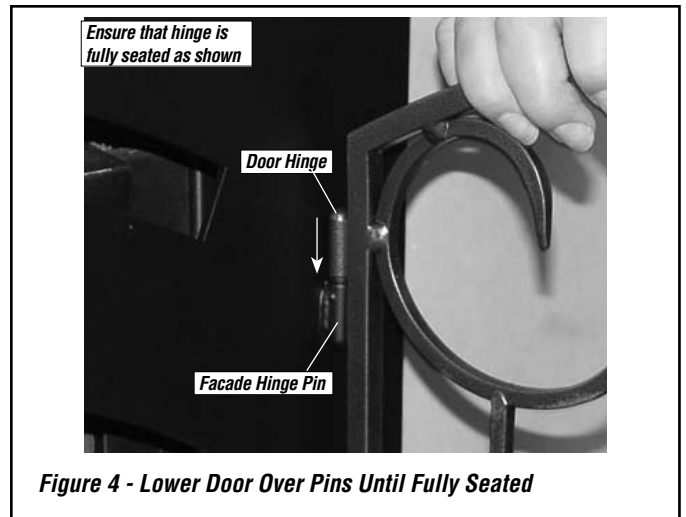
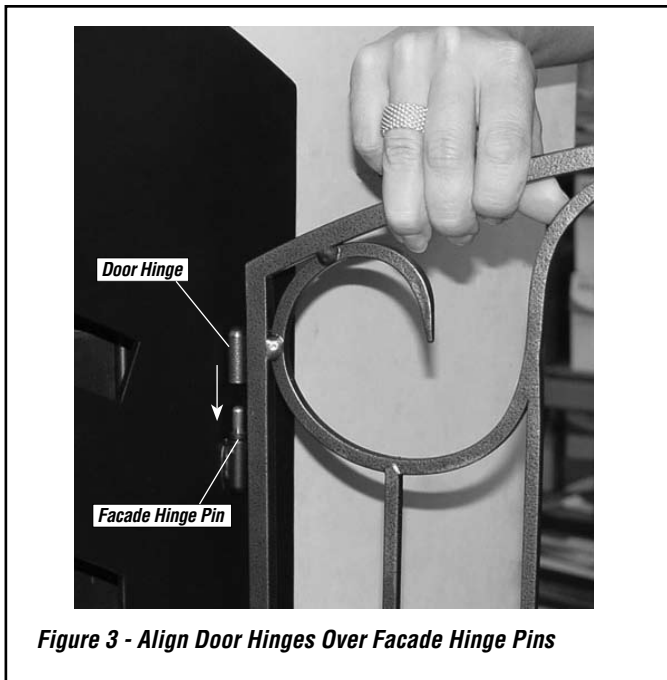
INSTALLATION INSTRUCTIONS

1. Install the appliance, firebox liner and logs per the *Installation Instructions Manual* provided with appliance and the *Installation Instruction Sheet* provided with the firebox liner kit (sold separately).

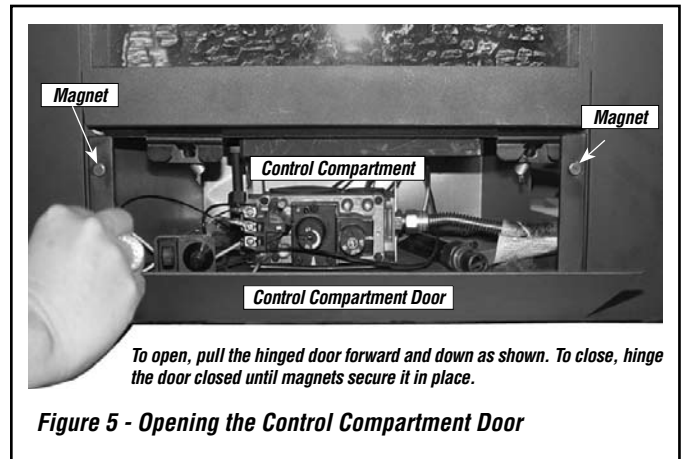
2. Install the facade onto the fireplace face per instructions in **Figure 2**.



3. Install the left and right side gates as shown in **Figures 3 and 4**. The hinges on the gates hang on the hinge pins on the facade.



4. See **Figure 5** for instructions on accessing the control compartment. **The gated doors must be open to access the control compartment door. To open; pull doors open until magnet latches release.**



NOTE: DIAGRAMS & ILLUSTRATIONS ARE NOT TO SCALE.

Lennox Hearth Products reserves the right to make changes at any time, without notice, in design, materials, specifications, prices and the discontinuance of colors, styles and products. Consult your local distributor for fireplace / insert code information.