



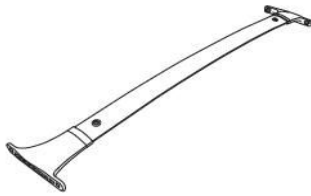
GENUINE PARTS

INSTALLATION INSTRUCTIONS

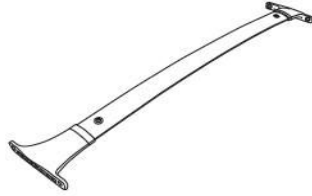
DESCRIPTION: Crossbar Kit
APPLICATION: QUEST (2011)
PART NUMBER: G3805 1JA0A

KIT CONTENTS:

Item	Qty.	Part Description	Service Part Number
A	1	Front crossbar assembly	-
B	1	Rear crossbar assembly	-
C	8	T-30 Torx bolt	-
D	1	Read Before Installation	-



A



B



C

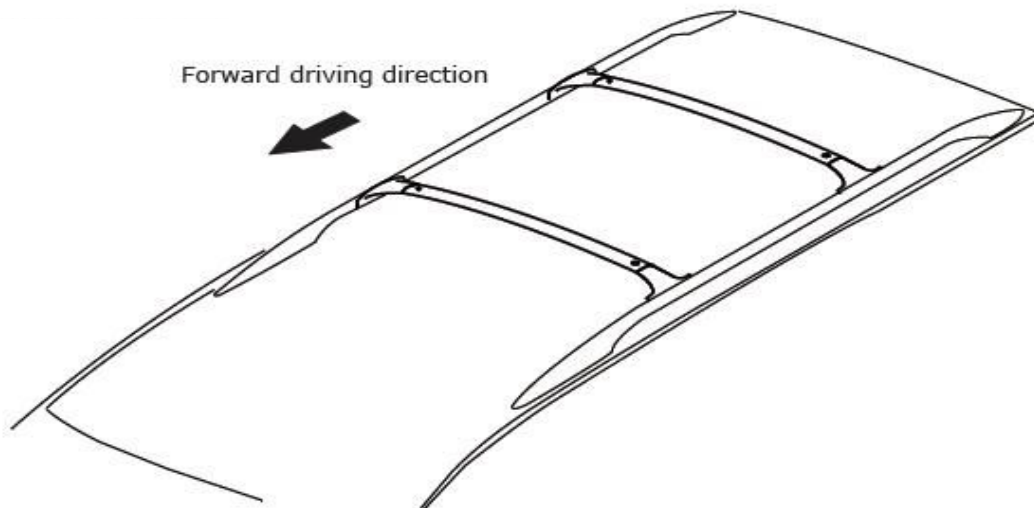


D

TOOLS REQUIRED:

- Rag(soft cloth)
- T-30 Torx wrench

INSTALLATION OVERVIEW

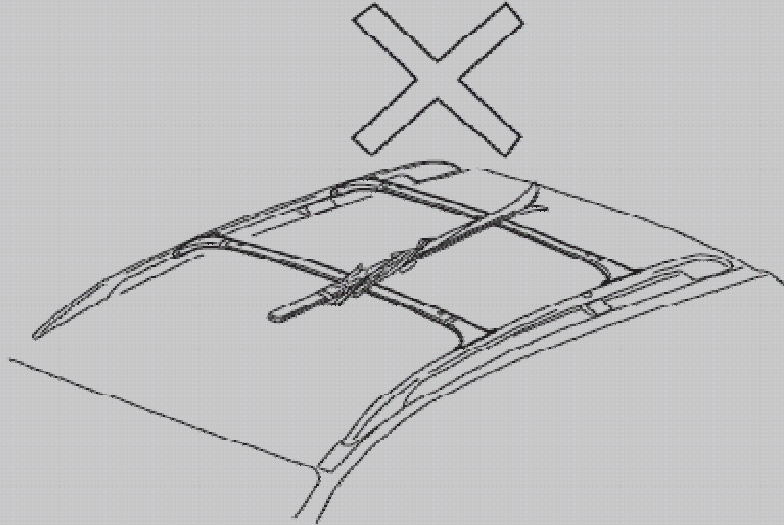


PRE-INSTALLATION WARNINGS, CAUTIONS, CRITICAL STEPS, and NOTES:

- Dealer Installation Recommended. Instructions may refer to Service Manual.

⚠ CAUTION

- The crossbar is not designed to directly bear loads.



⚠ CAUTION

- Always evenly distribute the luggage and appropriate crossbar attachment on the crossbar. Do not load more than 100 lbs.(45kg). Be careful that your vehicle does not exceed the Gross Vehicle Weight Rating (GVWR) or its Gross Axle Weight Rating (GAWR Front and Rear). The GVWR and GAWR are located on the Safety Compliance Certification Label (located on the driver's door pillar). For more information regarding GVWR and GAWR, refer to "Technical and Customer Information" .

Ensure both front and rear crossbars are installed correctly. See Installation Instructions for details.

- Use care when placing or removing items on the crossbar.
If you cannot comfortably lift the items onto the crossbar from the ground, use a ladder or stool.

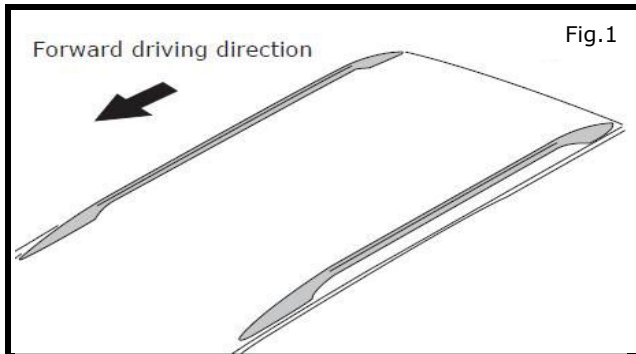
Precautions and points to check before driving

- Initially, there may be some loosening of the screws. Retighten the screws as necessary (after driving approximately 60miles(100km)).
- Verify that the vehicle height with the crossbar attached is within limits before entering tunnels or areas of restricted height such as parking garages.

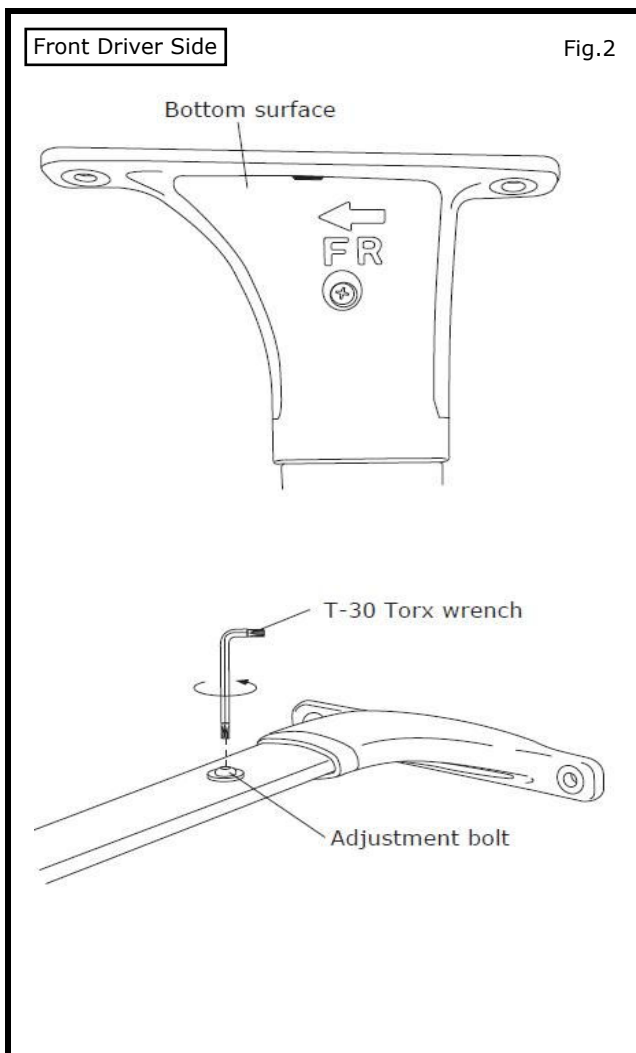
INSTALLATION PROCEDURE:

CAUTION

- During installation, take precautions to prevent scratching or damaging the vehicle.
- Perform installation in a spacious area to allow opening and closing the vehicle doors.

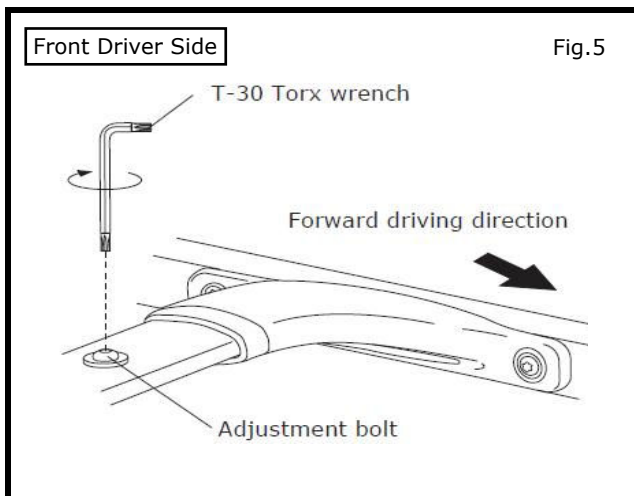
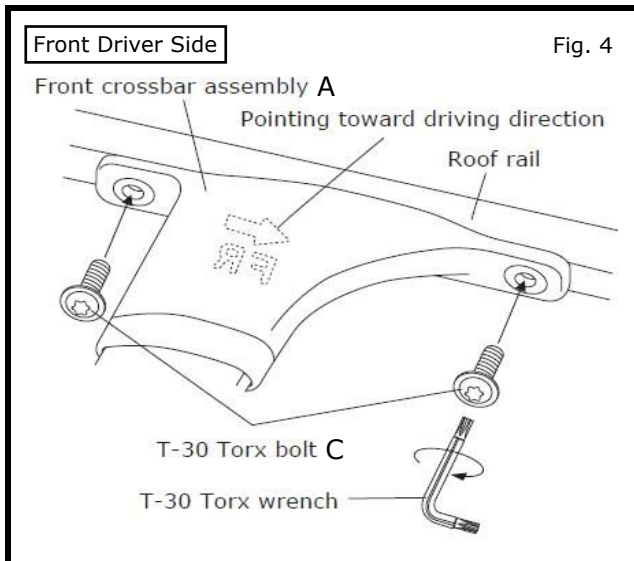
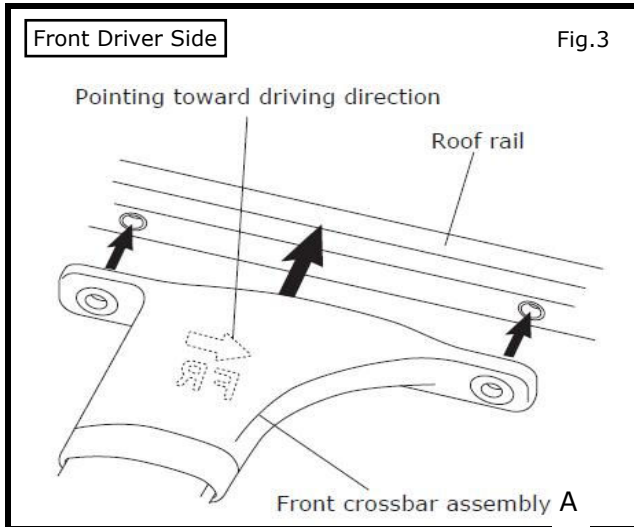


- 1) Cleaning the Installation Area on the Vehicle
 - a) Use a damp cloth to clean the area where the crossbar will be installed (as indicated by the shaded areas) as shown in Fig.1.



- 2) Preparation for Front crossbar assembly A
 - a) Identify and obtain the Front crossbar by using Fig.2.
Note: Crossbar "FR" stamping should always point toward front of Car.
 - b) Loosen the adjustment bolts on both sides of the Front crossbar assembly A using the T-30 torx wrench.

INSTALLATION PROCEDURE:

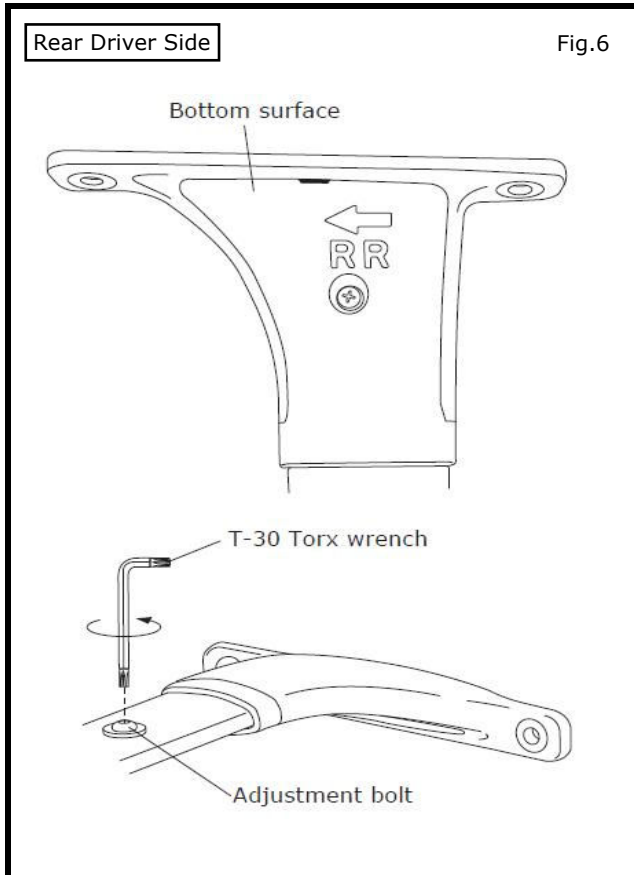


- 3) Installation of Front crossbar assembly A
 - a) Align Front crossbar assembly to the driver roof rail mounting location as shown in Fig.3.

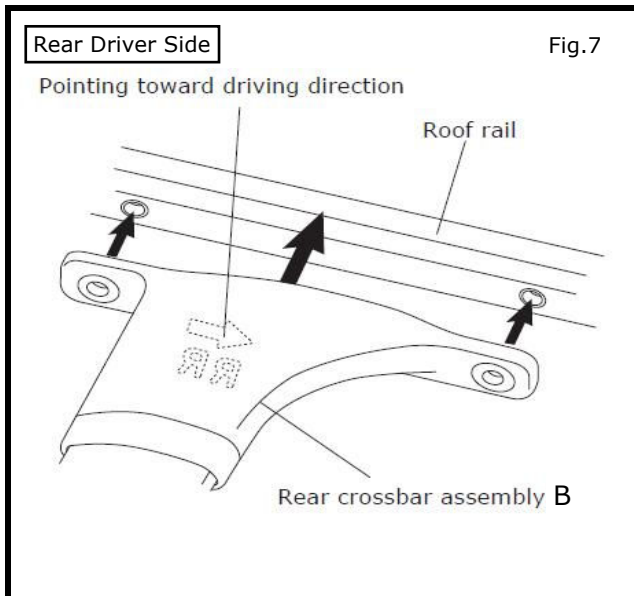
- 4) Installation of Front crossbar assembly A cont'd
 - a) While aligned, install and fasten T-30 torx bolts C and Front crossbar assembly A to the roof rail mounting location as shown in Fig.4.
Note: Torque to 4.2 - 6.3 ft-lbs.(5.6-8.4 N-m).
 - b) Repeat steps a) & b) on the right side roof rail.

- C) Fasten adjustment bolts on the left side of the Front crossbar assembly A using the T-30 torx wrench.
Note: Torque to 4.2 - 6.3 ft-lbs.(5.6-8.4 N-m).

INSTALLATION PROCEDURE:

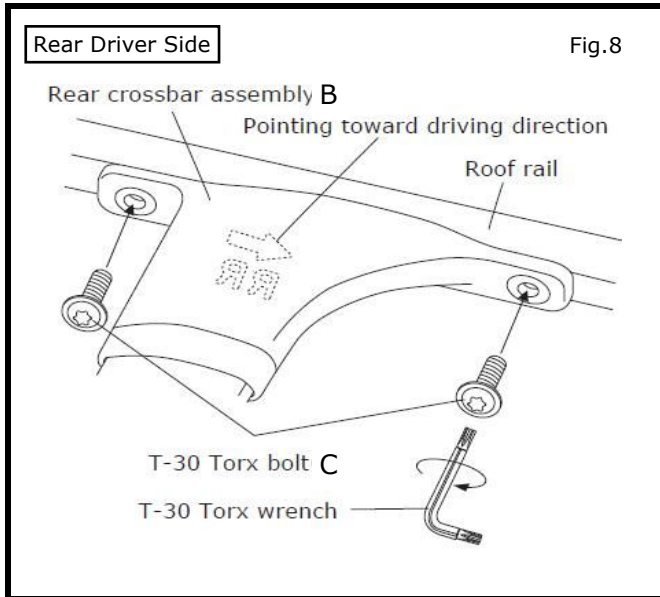


- 5) Preparation for Rear crossbar assembly B
 - a) Identify and obtain the Rear crossbar by using Fig.6.
Note: Crossbar "RR" stamping should always point toward front of Car.
 - b) Loosen the adjustment bolts in both sides of the Rear crossbar assembly B using the T-30 torx wrench.

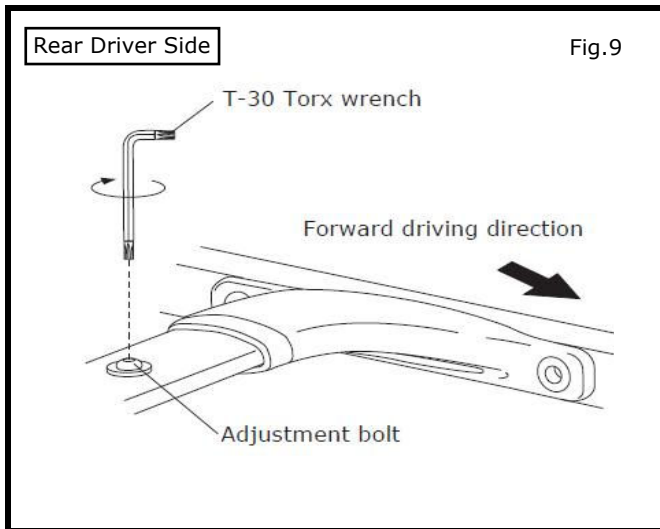


- 6) Installation of Rear crossbar assembly B
 - a) Align Rear crossbar assembly to the driver roof rail mounting location as shown in Fig.7.

INSTALLATION PROCEDURE:



- 7) Installation of Rear crossbar assembly B cont'd
- b) While aligned, install and fasten T-30 torx bolts C and Rear crossbar assembly B to the roof rail mounting location as shown in Fig.8.
Note: Torque to 4.2 - 6.3 ft-lbs.(5.6-8.4 N-m).
- c) Repeat steps (b) & (c) on the right side roof rail.



- d) Fasten adjustment bolts on the left side of the Rear crossbar assembly B using the T-30 torx wrench.
Note: Torque to 4.2 - 6.3 ft-lbs.(5.6-8.4 N-m).

ACCESSORY CHECK:

Check all **Critical Installation Steps**.

FINAL INSPECTION:

Check the tightness of the crossbar screws after installation.

Gently wiggle the crossbar to check for problems. Verify that there are no noises or movement when pushed and pulled.

If you notice problems in steps 1-2, follow the installation instructions again.