

Avalon Hideaway Bungalow Face (95700121)

COMPATIBILITY

- Avalon Hideaway Fireplace

PACKING LIST

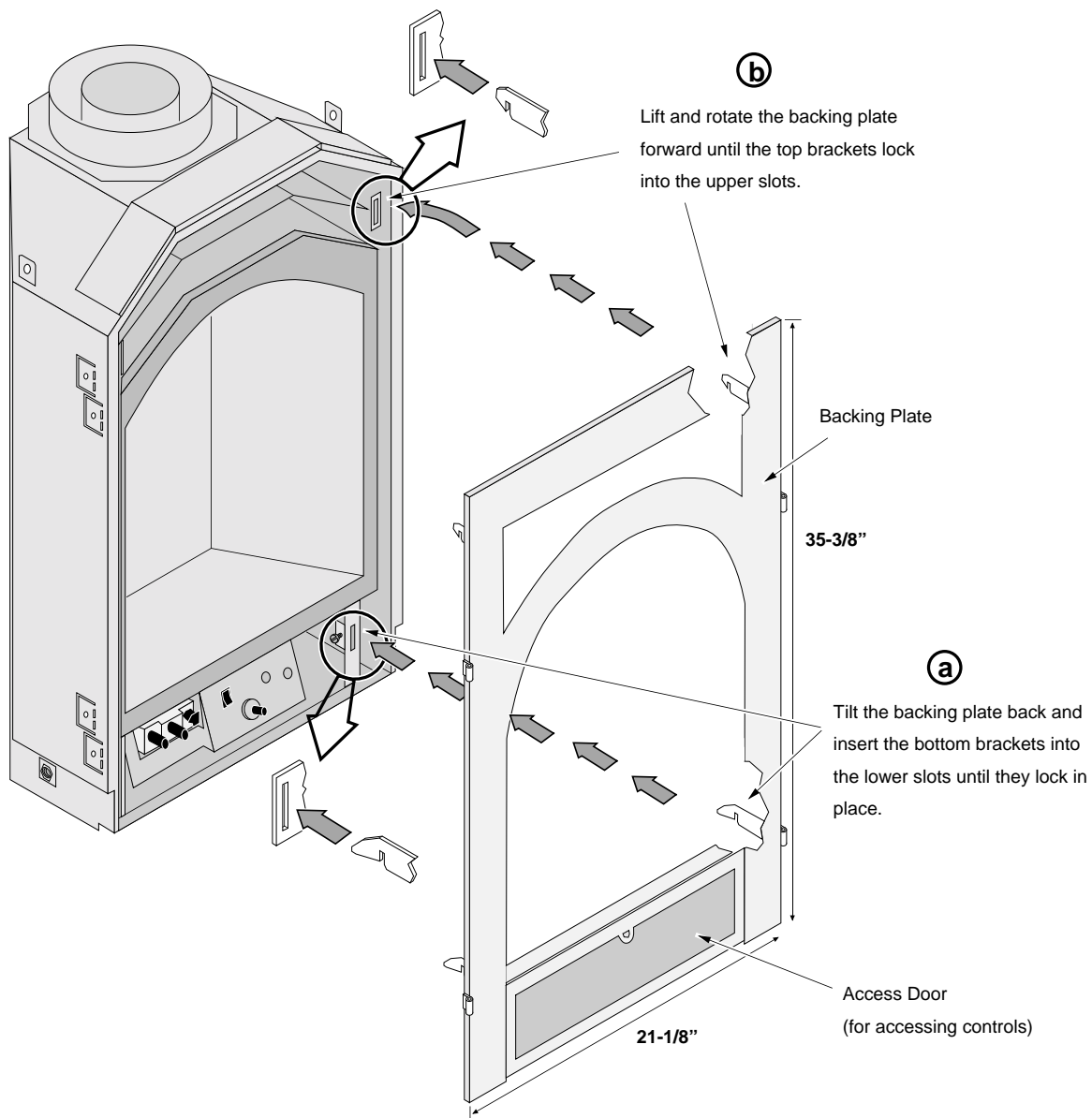
- Face (includes Backing Plate and Doors)
- (2) Handles
- (4) 8-32 x 1/2" Screws
- Push-On Face Brackets (for 21 TRV Only)

INSTALLATION INSTRUCTIONS

NOTE: If installing with thick facing or retrofitting tile, follow the directions for "Push-On" face brackets on page 3.

! Turn off gas to the appliance and make sure it has fully cooled prior to conducting service.

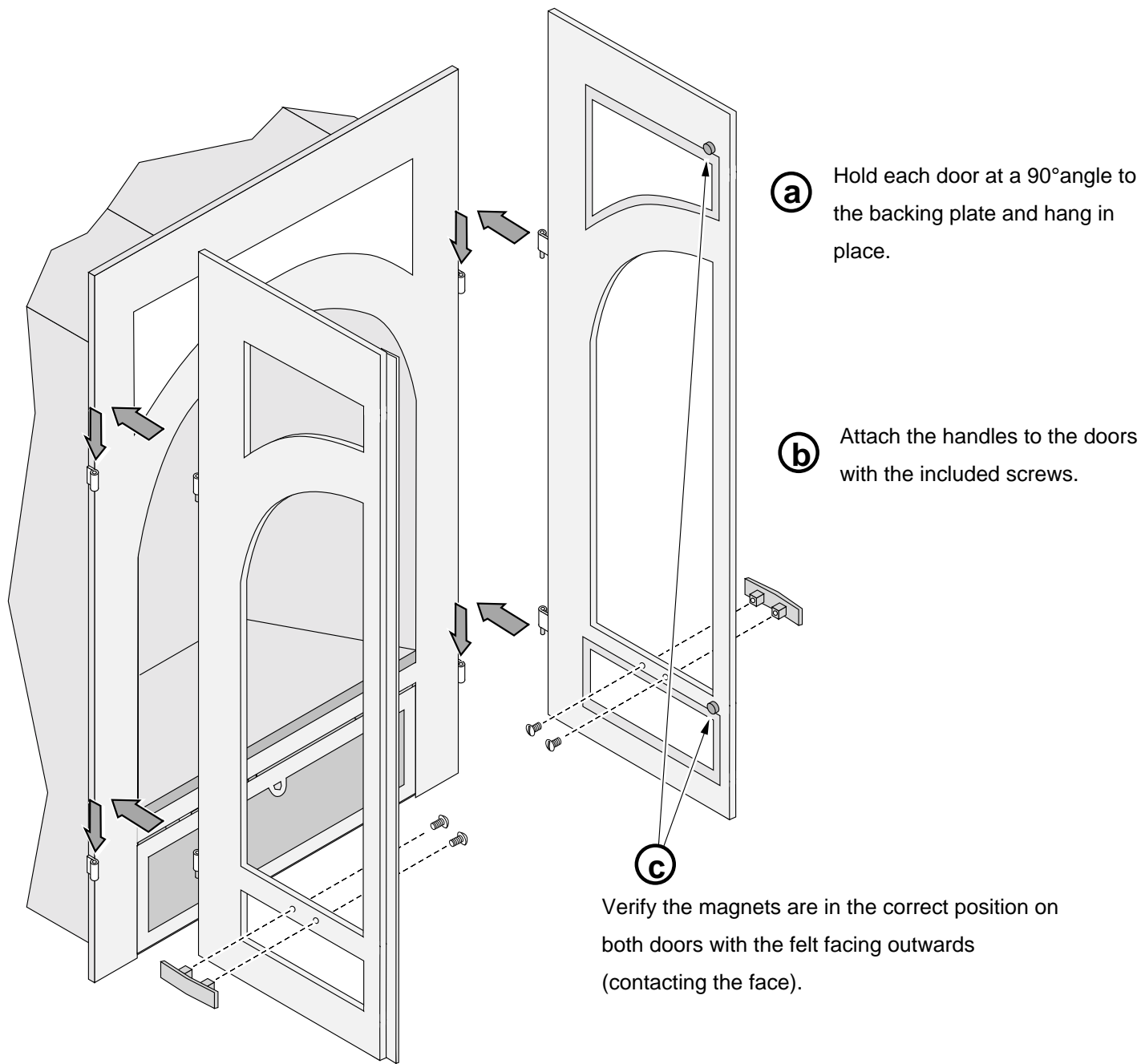
1 Remove the doors from the backing plate. Install the backing plate as shown in the illustration below.



TRAVIS INDUSTRIES
HOUSE OF FIRE

Avalon Hideaway Bungalow Face (95700121)

2 Hang the left and right doors on the backing plate. Attach the handles and verify magnet position (if applicable).



PUSH-ON FACE BRACKETS

NOTE: The push-on brackets are only compatible with the 21 TRV (2008 or later).

Overview

The optional push-on brackets allow the face to be installed up to 1" from the front of the fireplace. In addition, the new brackets allow the face to be installed straight-on to the fireplace. This permits the use of thick facing material directly above the face (no gap is required to slide the face into place).

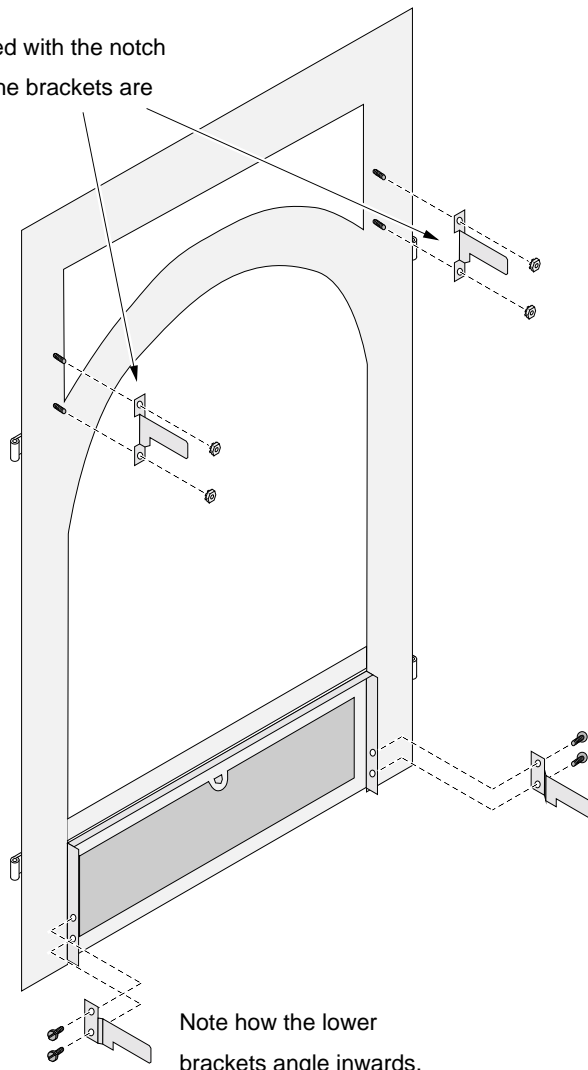
Tile Retrofit Installations

If a 21 TRV is already installed into a standard drywall installation with the standard brackets, it is extremely difficult to install tile behind face (this requires the fireplace location to be moved forward). With the new push-on brackets, the face may be located up to 1" from the front of the fireplace, allowing tile or other non-combustible to be placed behind the face.

Bracket Installation

Remove the stock brackets and install the push-on brackets to the back of the face following the directions below.

The upper brackets are installed with the notch facing to the left (this insures the brackets are installed right side up)..

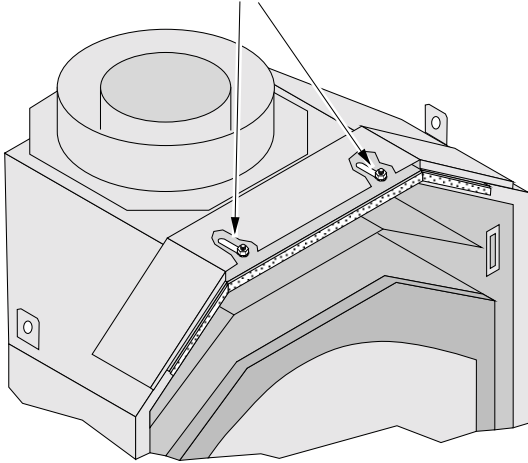


Avalon Hideaway Bungalow Face (95700121)

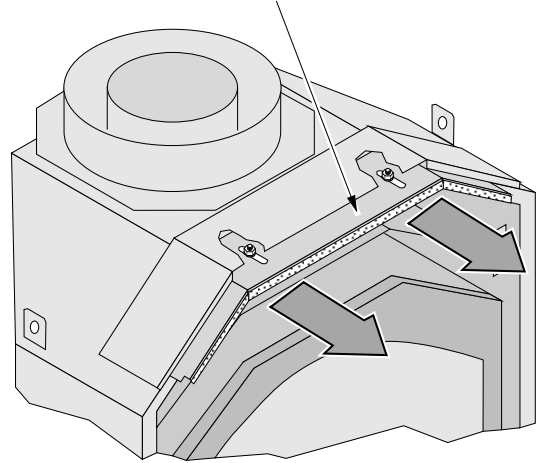
Preparing the Fireplace for Thick Facing

The 21 TRV has a sliding heat shield that must be properly positioned when using thick facing. See the directions below for adjusting the heat shield.

Loosen these two nuts above the firebox (3/8" wrench).

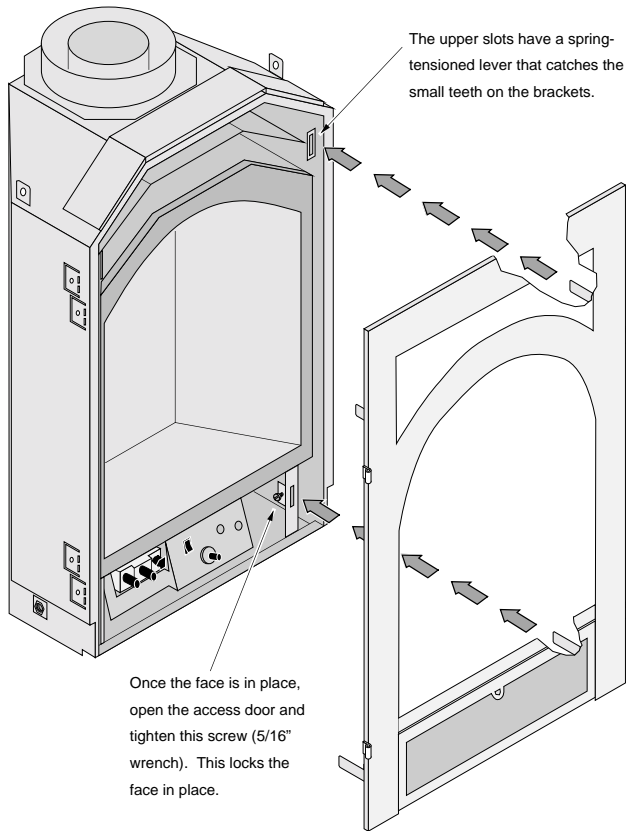


Slide the heat shield forward until it is flush with the facing and tighten the nuts to secure.



Face Installation and Removal

Face Attachment



Face Removal

