



Cast Iron Surrounds

Installation Instructions

Models LHE20CSLB, LHE30CSLB

For use on LHE20 and LHE30 Fireplace Inserts

Please read these instructions before beginning the installation.

These instructions cover the assembly of Models LHE20CSLB and LHE30CSLB cast iron surrounds for use on the LHE20 and LHE30 model fireplace inserts.

Check Contents of Shipping Carton

Compare contents of carton in Figure 2 with actual parts received. If any parts are missing, or damaged, contact your dealer before starting installation.

Surround Parts:

1. Right column
2. Mantel
3. Left column
4. Lower bracket (2)
5. Upper bracket (2)
6. Switch housing (1)
7. Hex head bolt, 1/4" -20 x 3/8" (4)
8. Phillips pan head bolt, 1/4" x 3/8" (7)
9. Washers, 7/8" (4)

General Information

The assembly includes three (3) cast iron surround panels, four (4) sheet steel brackets, a switch housing and hardware. The switch housing is for use with 'C' series fireboxes. It can be installed on either side of the surround.

Install the Model LHECSLB surround after all other installation work has been completed, thoroughly checked, and tested for proper operation, leaks and installation requirements.

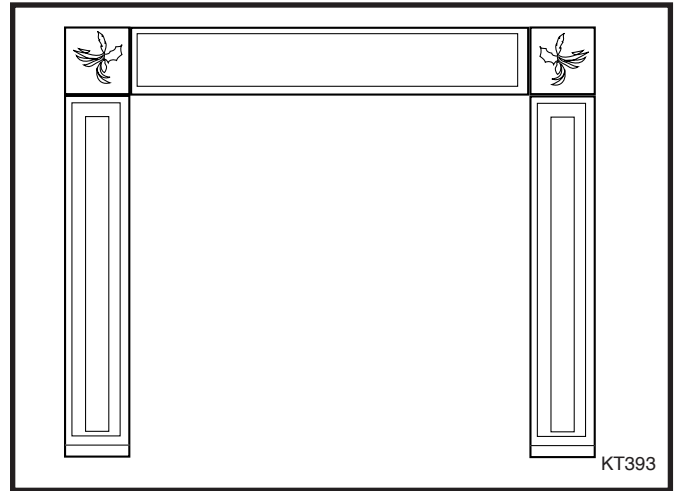


Fig. 1 Front view of surround assembly.

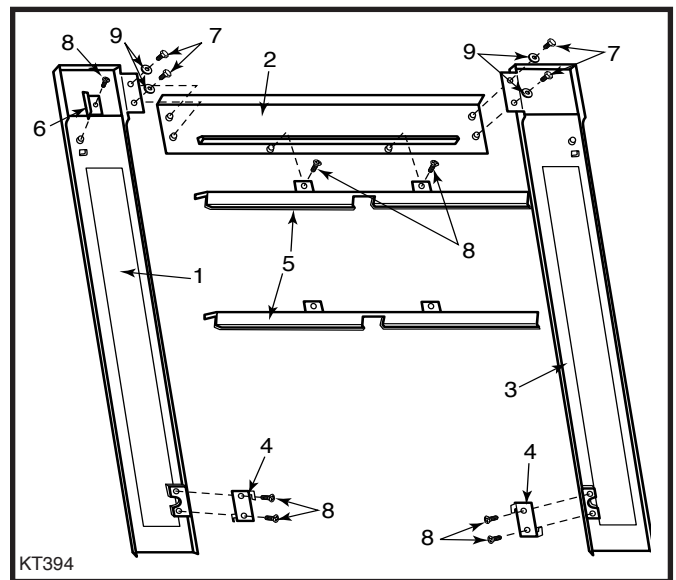


Fig. 2 Back view of surround assembly.

Tools required:

Phillips screwdriver
7/16" wrench

Assembling the Surround

Lay out the parts, face down, on a flat padded surface. (Fig. 2)

1. Align the holes in the top flanges of the left and right columns with the drilled and tapped bosses onto the left and right ends of the mantel.
2. Attach the mantel to the columns with four (4) 1/4"-20 hex bolts and washers.
3. Only one upper bracket is used per surround. Determine which bracket is correct for the insert and discard the other. (Fig. 3) Attach the upper bracket to the mantel with two (2) phillips pan head bolts 3/8" long. (Fig. 2)

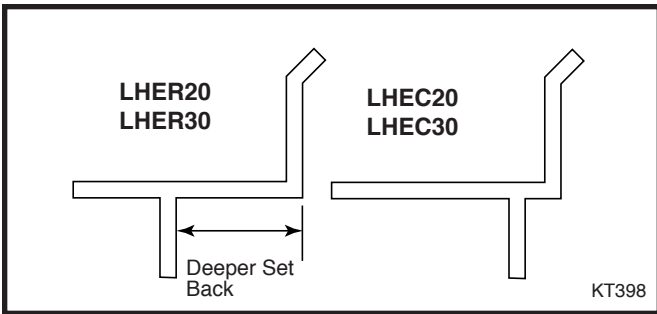


Fig. 3 Determine which bracket is correct for the installation.

4. Attach the two (2) lower brackets to the bottoms of the columns with two (2) 3/8" phillips pan head bolts each. (Fig. 2) **NOTE:** When positioning the right column lower bracket, make sure one of the hooked flanges is in the upper right hand corner and facing towards you. The other hooked flange will be in the opposite lower corner and facing away from you. (Fig. 2)

The left column lower bracket is the opposite.

5. For 'C' series units, choose which side of the surround should have the ON/OFF switch, and attach the switch housing to the back of that column with one (1) 1/4-20 x 3/8" phillips pan head screw. (Fig. 4)

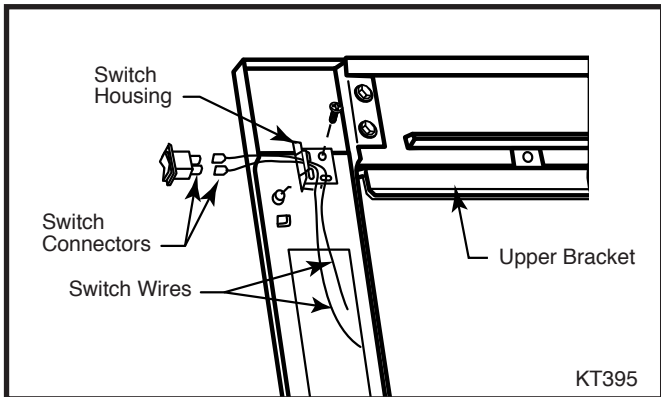


Fig. 4 ('C' Series units only) Attach the switch housing and the switch. The housing can be attached to either column.

Attaching the Surround

1. For 'C' series units, attach the switch wires to the valve. The wires attach to the 'TH/TP' and the 'TH' terminals (the top and bottom terminals) on the valve. Bring the wires to the side of the firebox. If the switch housing is on the left side of the surround, bring the wires to the left side of the firebox. Bring the wires up through the bottom of the switch housing, and out through the side. (Fig. 4) Attach the wires to the switch by pressing the wire connectors onto the prongs of the switch. Press-fit the switch into the housing. (Fig. 4)
2. Position surround in front of fireplace insert and, with the help of an assistant, gently lift the surround up and over the top flange and right and left side flanges. Secure surround by applying downward pressure until the lower brackets have engaged onto the left and right side flanges. (Fig. 5)
3. This completes the assembly.

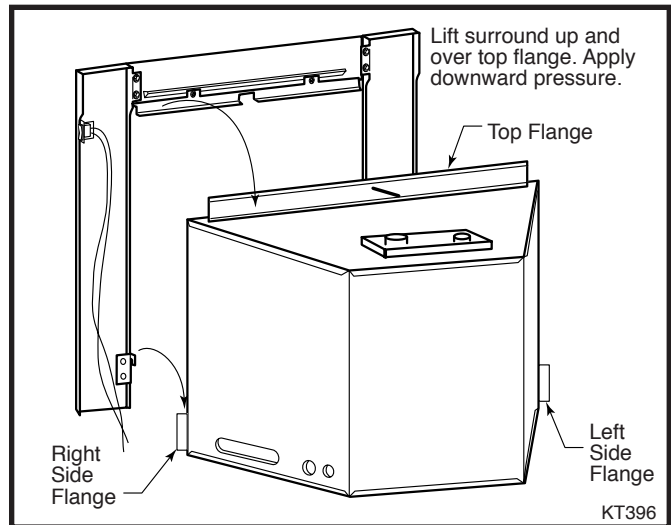


Fig. 5 Attach the cast surround to the fireplace insert.

MHSC

149 Cleveland Drive • Paris, Kentucky 40361
www.mhsc.com