



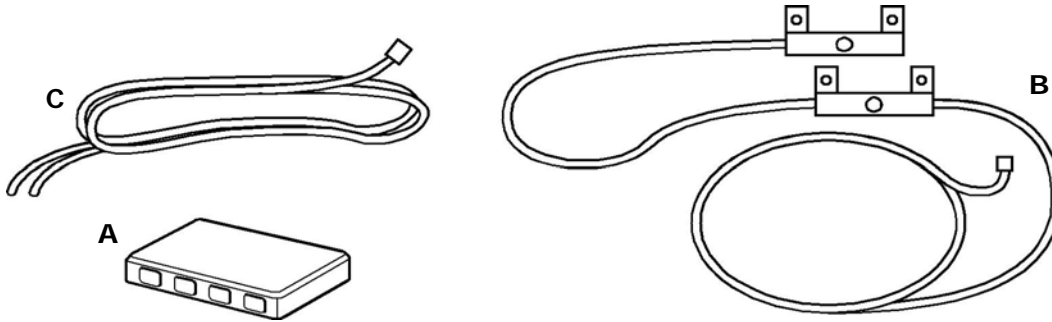
GENUINE PARTS

INSTALLATION INSTRUCTIONS

- DESCRIPTION:** Accent light Kit
- APPLICATION:** Altima (2013)
- PART NUMBER:** 999F3 UZ000 - Accent Lighting Kit.

4. KIT CONTENTS:

Item	QTY	Description	Service Part Number
A	1	Control module	999F3 VZ000
B	1	LED Lamp and harness assembly	999F3 UZ010
C	1	Vehicle Interface Harness	999F3 UZ020
D	1	Miscellaneous Parts Kit	999F3 UZ030



5. TOOLS REQUIRED

- Trim stick
- Needle nose pliers
- #2 Phillips screwdriver
- Drill Motor
- 3/16" drill bit
- Electrical tape, masking tape.
- Scissors
- Protective cloth

6. PRE-INSTALLATION CAUTION/NOTES

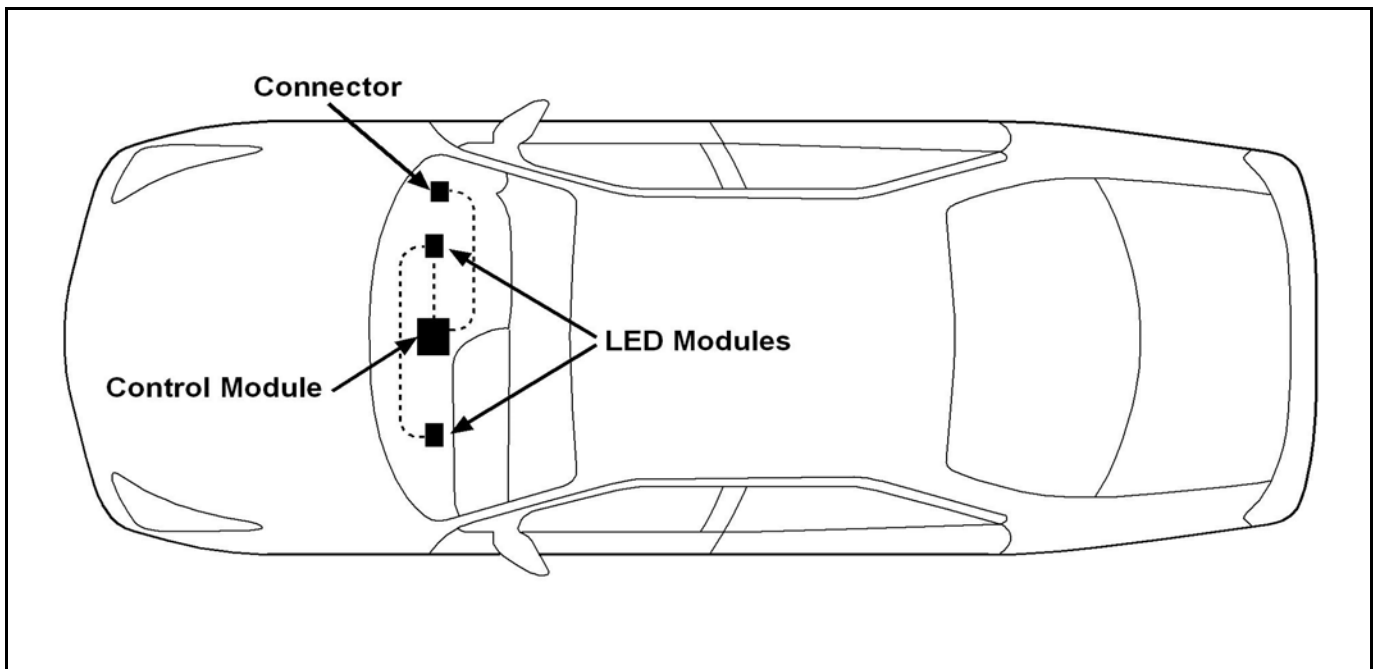
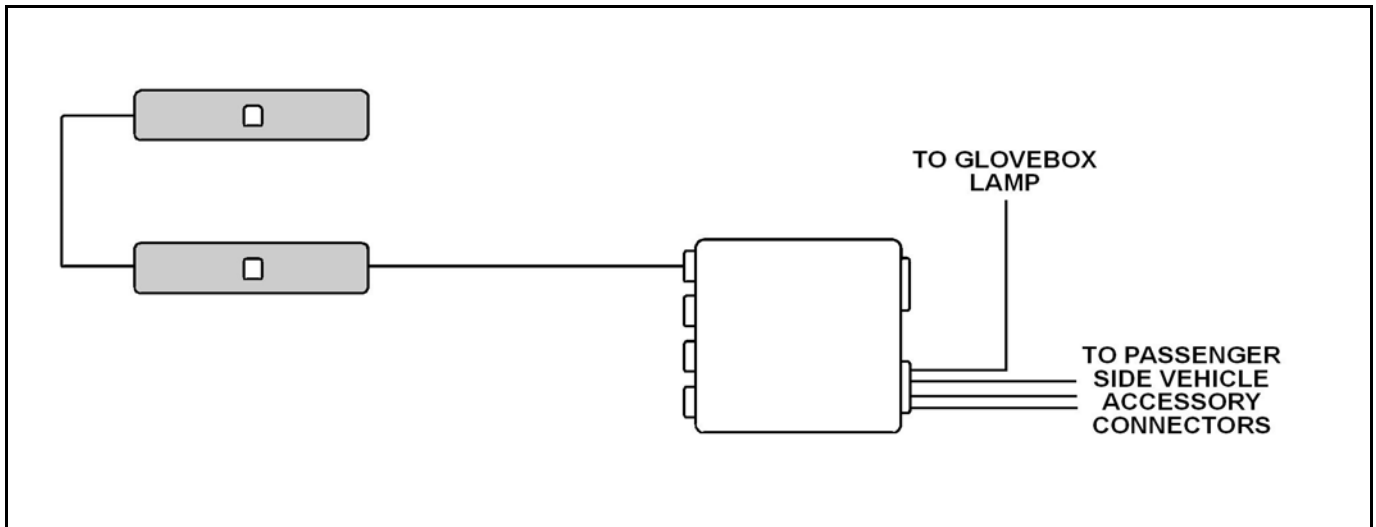
- Dealer installation recommended. Instructions may refer to Service Manual
- Installation may require special tools
- This part is to be installed within a surface temperature range of 65-100°F

▲ CAUTION

- This accessory must only be installed as specified in these instructions.
- Ensure at all times that parts are securely fitted and will not compromise the safe function of vehicle systems.

INSTALLATION INSTRUCTIONS - Accent lighting Kit

7. INSTALLATION OVERVIEW



8. CRITICAL STEPS

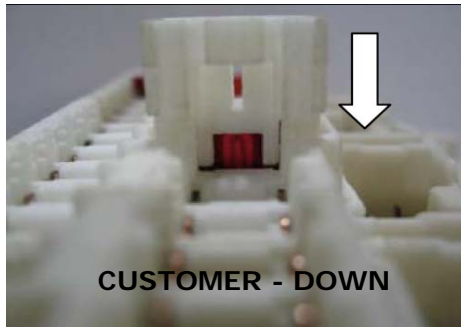
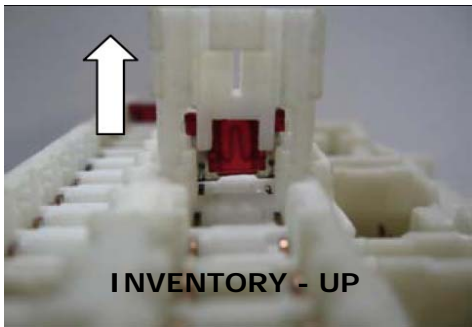
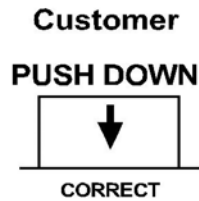
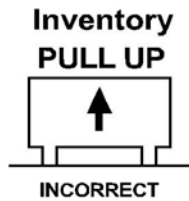
The following steps are critical and must be performed **EXACTLY** as specified to ensure proper installation:

- Location of the lights must be followed exactly as described in this instruction.
- Posi-Tap™ instructions must be specifically followed as described.

INSTALLATION INSTRUCTIONS - Accent Lighting Kit

9. VEHICLE PREPARATION

- 1) Apply parking brake
- 2) Confirm the vehicle is no longer in the default shipping state (Extended Storage Switch Pulled Up and BCM in Transit Mode). Failure to confirm the vehicle has been removed from this state will result in the loss of normal vehicle operation. The confirmation requires two checks:
 - 2a) Locate the Extended Storage Switch in the cabin fuse block. Once located, check that it is in the "Customer" position. See below for reference.
 - 2b) Turn the ignition switch from "OFF" to "ON" position. If turn indicators illuminate for approx. 1 minute, the vehicle is in shipping mode. To exit shipping mode, return the ignition switch to "OFF" position. Simultaneously push the wiper and turn signal stalks downward and hold for 2 seconds.



NOTE: Typical vehicle condition shown here. Switch is easily identifiable by the permanent, push-pull fuse holder. Actual position on the fuse block may vary, vehicle to vehicle.

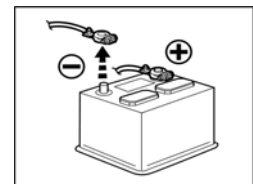
- 3) Record customer radio presets.

	1	2	3	4	5
A					
B					
C					

NOTE: USE CAUTION WHEN REMOVING / RE-INSTALLING TRIM COMPONENTS TO AVOID DAMAGE, SCRATCHES, BREAKING OF CLIPS AND / OR INTERIOR TRIM PANELS. MOVE ALL TRIM COMPONENTS TO A PROTECTED AREA.

⚠ WARNING

Turn ignition switch to "ACC" position and move shift lever to full back (L) position. Disconnect negative battery terminal before proceeding.

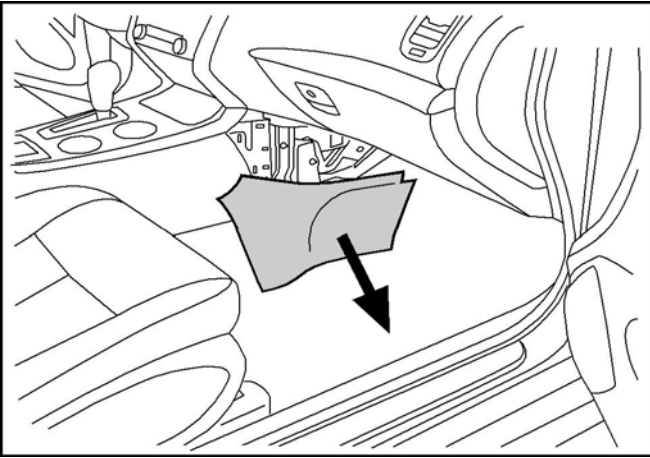


10. Order of Installation

- a. Interior preparation - remove panels.
- b. Install - Passenger Footwell light.
- c. Install - Driver Footwell light.
- d. Install - Vehicle interface.
- e. System check.
- f. Reinstall - Panels.

INSTALLATION INSTRUCTIONS - Accent Lighting Kit

11. INTERIOR PREPARATION



1. Carefully pry out center footwell panel from the passenger side of the center stack.

NOTE: Be sure the front retainer clip stays with the panel.

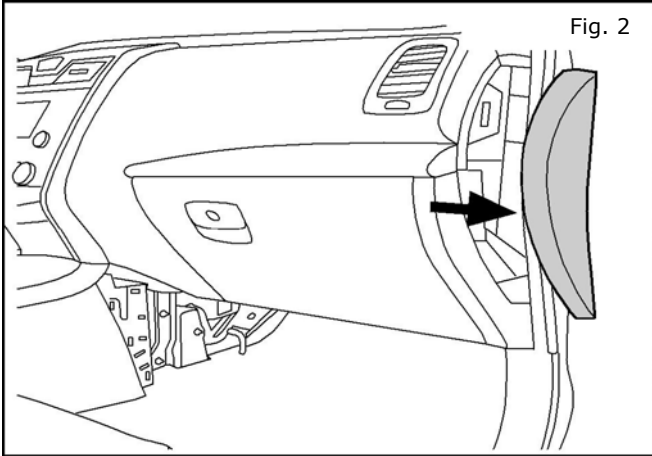
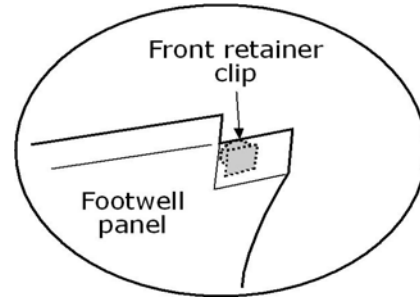


Fig. 2

2. Carefully pry off the dash side mask by the passenger door.

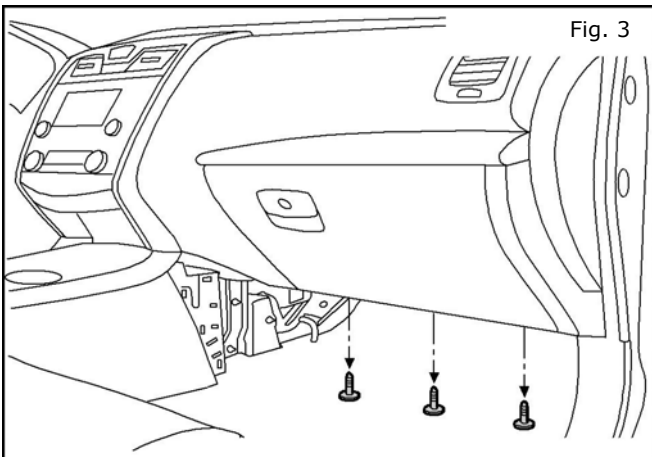
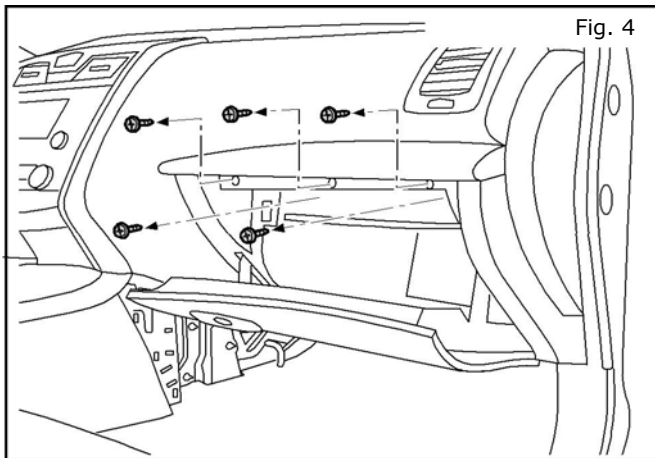


Fig. 3

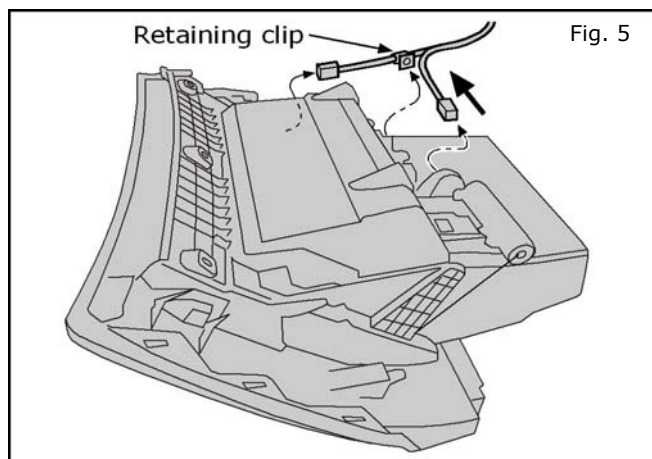
3. Remove three (3) phillips head screws from the underside of the glovebox.

INSTALLATION INSTRUCTIONS - Accent Lighting Kit

11. INTERIOR PREPARATION



4. Open the glovebox door. Remove five (5) phillips head screws from inside the glovebox compartment.

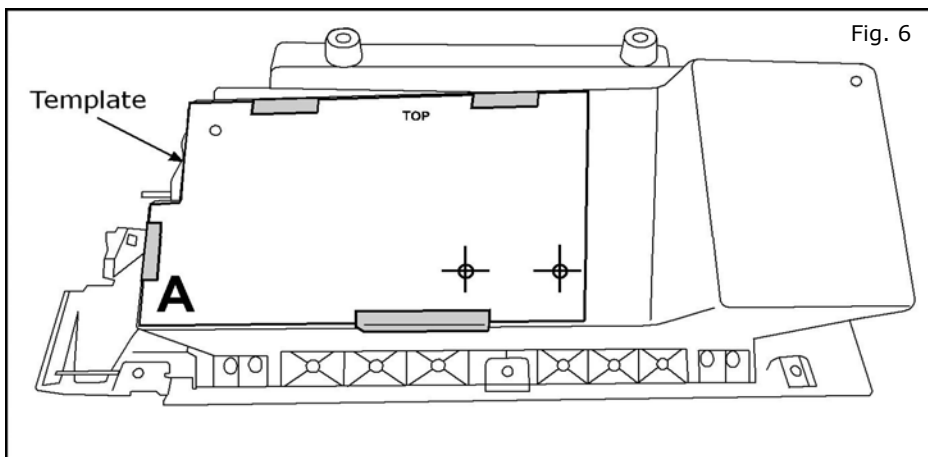


5. Carefully pull out the glovebox assembly. Disconnect the harness retaining clip. Carefully unplug and remove the harness connector and the glovebox lamp. Disconnect the retractor cable. Fully remove the glovebox assembly and set aside.

Note: Place glovebox assembly on a protected work surface to avoid any scratches or damage.

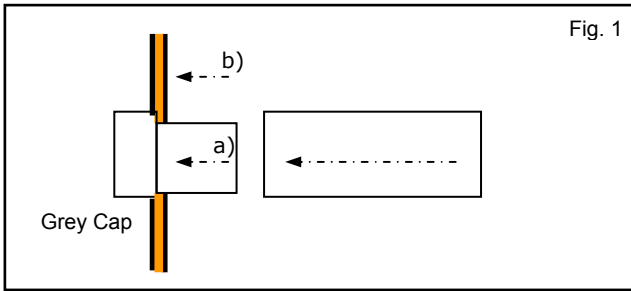
6. Trim out template "A" and tape into place inside center of panel as shown. The template should be positioned along the left edge with the letter "A" in the lower left hand corner.

Mark and drill one (2) 3/16 inch holes at the locations indicated on the template. Remove the template. Clean any flashing from the hole.



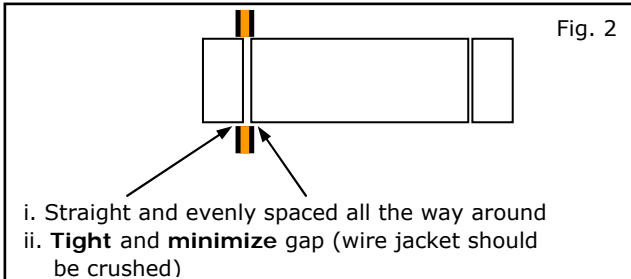
INSTALLATION INSTRUCTIONS - Accent Lighting Kit

12. POSI TAP INSTRUCTIONS



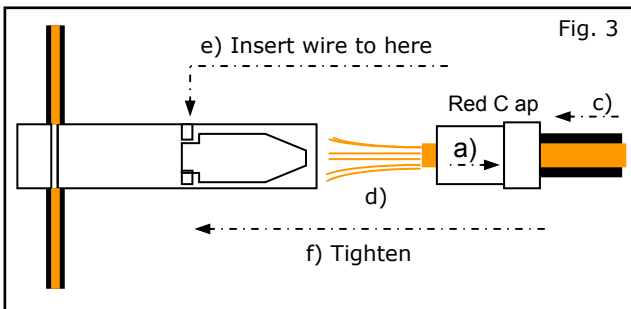
- 1) Tap vehicle wire.
 - a) Remove grey cap (slot side) from tap body.
 - b) Slide cap around vehicle wire.
 - c) Tighten the tap **TIGHT** with finger pressure.

NOTE: Do not re-use the tap for subsequent re-installation. Figures are not to scale

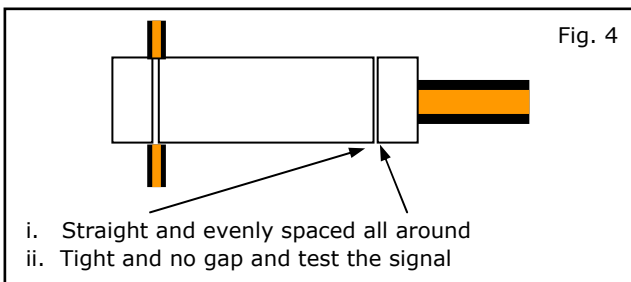


- 2) Inspect the tap to ensure correct installation.

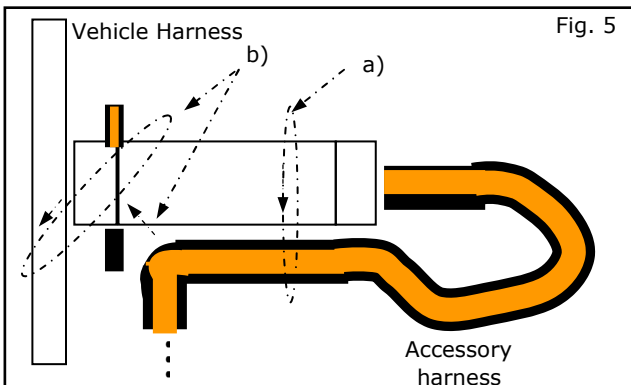
NOTE: Avoid putting pressure on the vehicle wire and tap for the remainder of the installation.



- 3) Inspect the tap to ensure correct installation.
 - a) Remove red cap (non-pierce) side from tap.
 - b) Remove the protective stub from the wire.
 - c) Insert wire through the non-pierce side opening.
 - d) Spread the individual strands into fan shape.
 - e) Insert wire into the tap body and ensure that it is all the way in.
 - f) Tighten the tap **TIGHT** with finger pressure.



- 4) Confirm the tapped accessory wire.
 - a) Inspect the tap to ensure correct installation.
 - b) Test the signal to ensure that it is working properly.

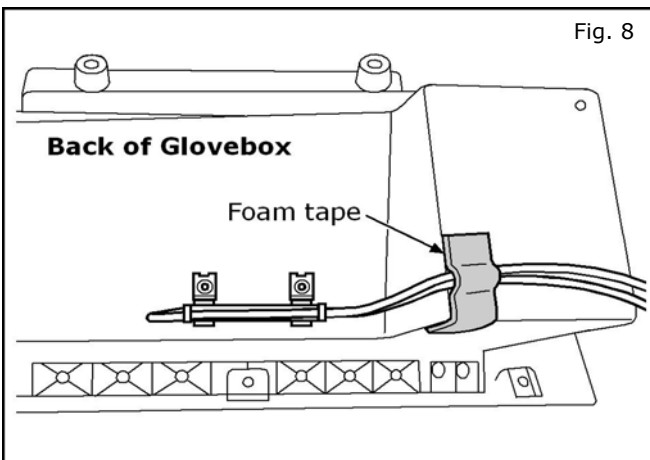
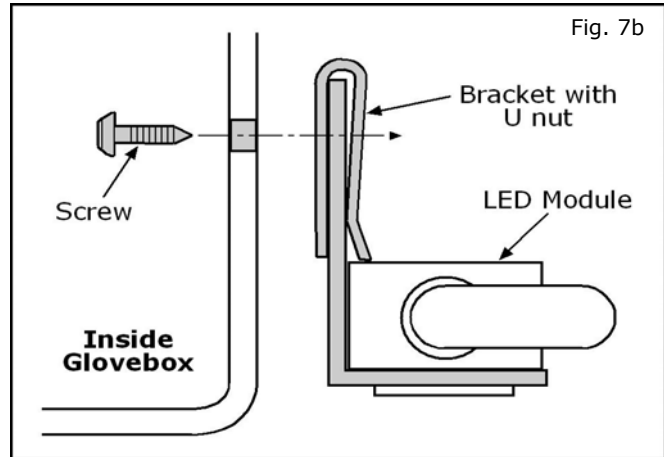
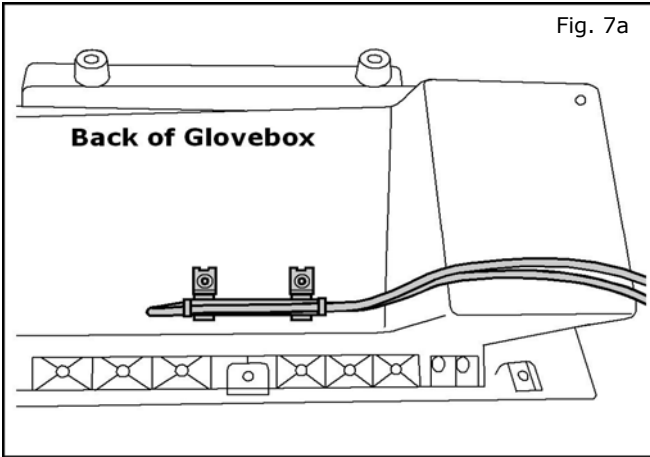


- 5) Secure the tap.
 - a) Secure the tapped wire on the non-pierce side to the body of the tap with electrical tape (≥ 2 revolutions).
 - b) Secure the body to harness where vehicle wire is being tapped with electrical tape (≥ 2 revolutions).

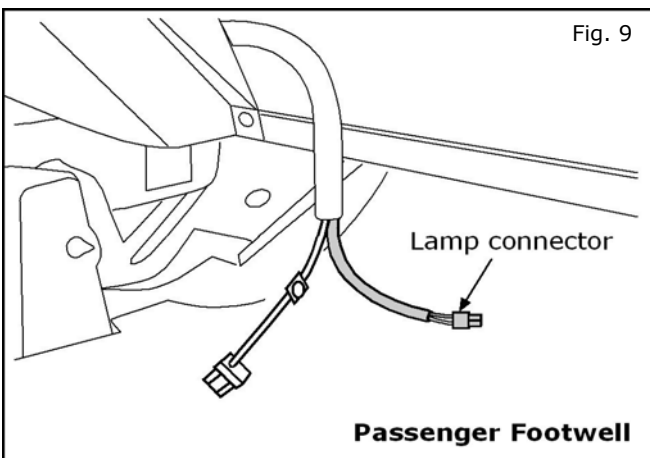
INSTALLATION INSTRUCTIONS - Accent Lighting Kit

13. INSTALLATION

- Using two (2) phillips screws from the inside of the glovebox cavity, securely attach the two (2) "L" brackets with U nuts to the rear of the glovebox.



- Secure the harness to the back of the glovebox with foam tape as shown.



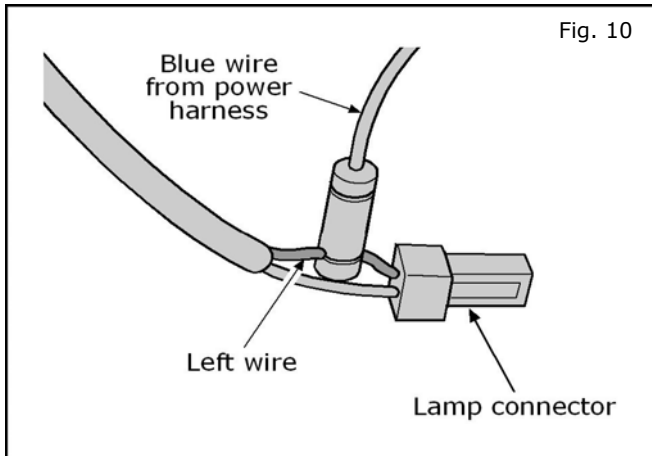
- Locate the glovebox lamp. Strip away approx. 3/4" of insulation from the base of the lamp connector.

INSTALLATION INSTRUCTIONS - Accent Lighting Kit

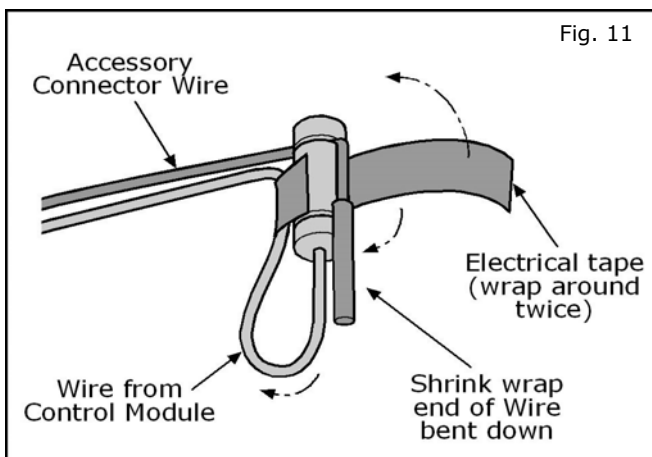
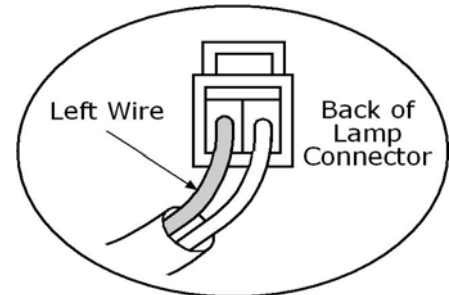
13. INSTALLATION

CAUTION

- If a vehicle wire is being used by another accessory and a posi-Tap is present, tap the accessory wire NOT the vehicle wire.

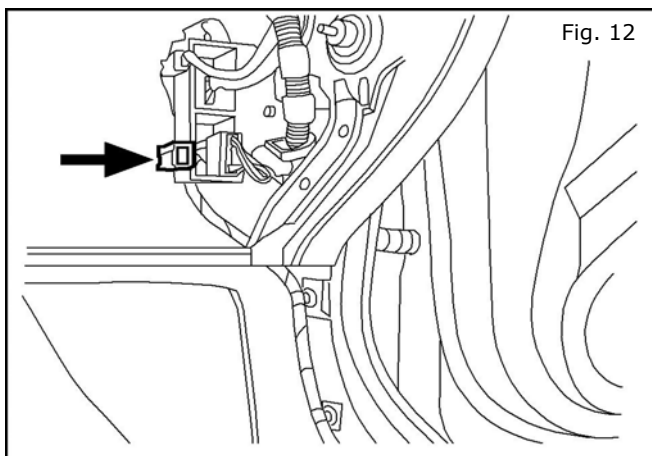


10. Looking at the rear of the connector, locate the **left** wire. Using a posi-tap, connect the **blue** wire from the power harness to the **left** wire at the back of the glovebox lamp connector.



11. **Follow this finishing procedure on all posi-taps.** Leave a short length of wire extended past the posi-tap and bend down as shown. Use electrical tape to secure the extra wire against the posi-tap with at least two revolutions.

Note: Make sure that the end of the wire is completely covered by the tape.

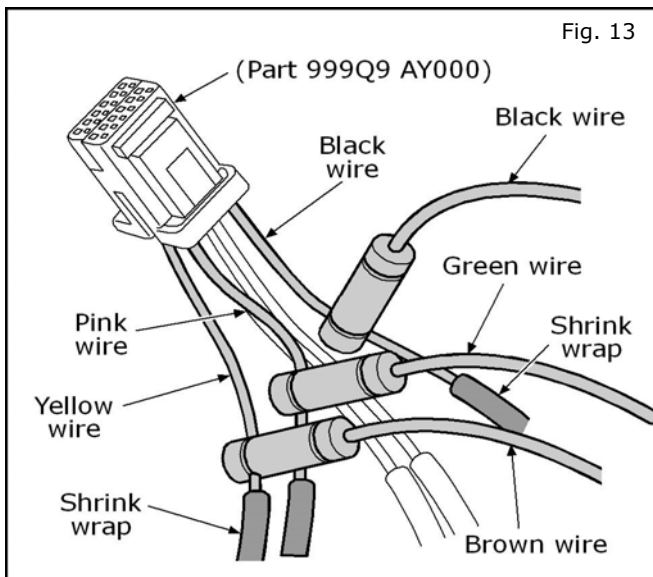


12. Locate the **passenger side** Accessory Connector plug. It will be behind the glovebox on the right side.

Note: A previously installed accessory may be present. If so, carefully remove the accessory connector harness from the accessory connector plug before posi-tapping. It is recommended that all posi-tapping be completed before reattaching the accessory connector harness to the plug.

INSTALLATION INSTRUCTIONS - Accent Lighting Kit

13. INSTALLATION



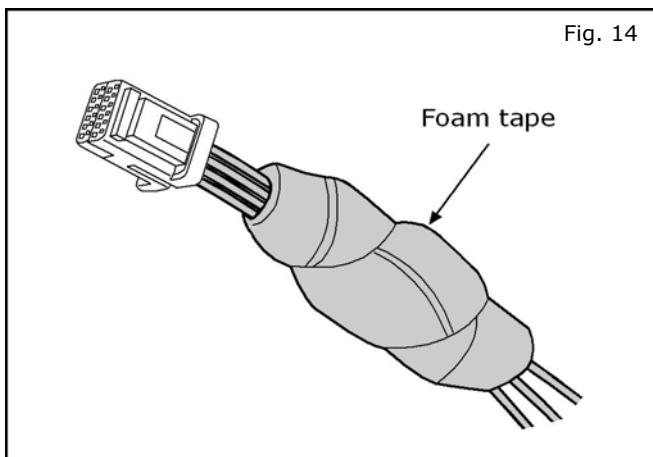
13. Using a posi-tap, connect the **Black** wire from the power harness to the **Black** wire on the Accessory Connector Harness.

Using a posi-tap, connect the **Green** wire from the power harness to the **Pink** wire on the Accessory Connector Harness.

Using a posi-tap, connect the **Brown** wire from the power harness to the **Yellow** wire on the Accessory Connector Harness.

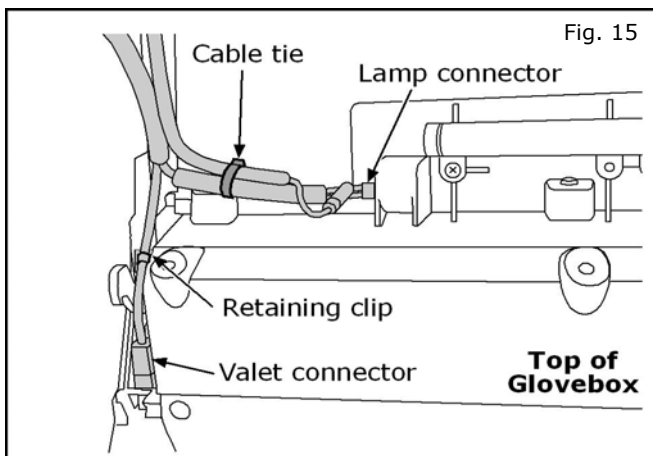
Note: Be sure **NOT** to posi-tap through the shrink wrap tubing.

**HARNESS NOT INCLUDED IN KIT.
REFERENCE PART NUMBER
999Q9 AY000.**



14. Wrap the posi-taps with foam tape to prevent rattle.

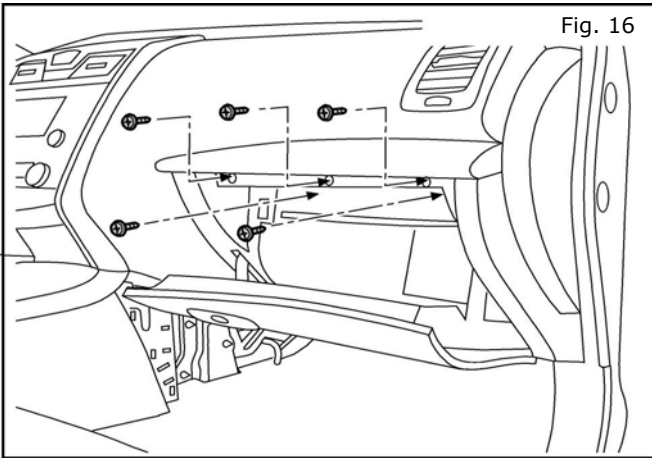
Plug the Accessory Connector Harness into the vehicle connector plug on the passenger side.



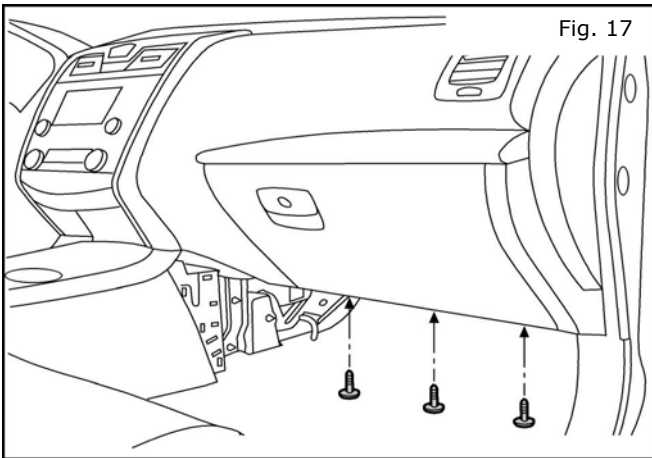
15. Place the glovebox assembly back into the passenger footwell. Reconnect the valet wiring connector and the glovebox lamp connector. Secure the power harness to the back of the glovebox with a cable tie as shown.

INSTALLATION INSTRUCTIONS - Accent Lighting Kit

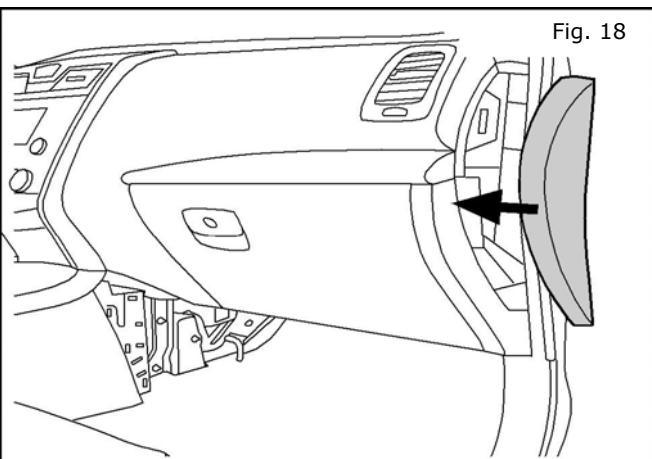
13. INSTALLATION



16. **Reinstall** the glovebox. **Reinstall** five (5) phillips head screws from inside the glovebox compartment.



17. **Reinstall** three (3) phillips head screws from the underside of the glovebox.

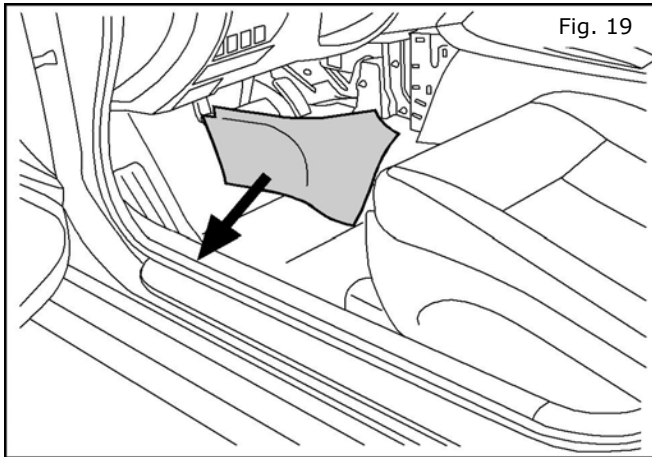


18. **Reinstall** the dash side mask.

INSTALLATION INSTRUCTIONS - Accent Lighting Kit

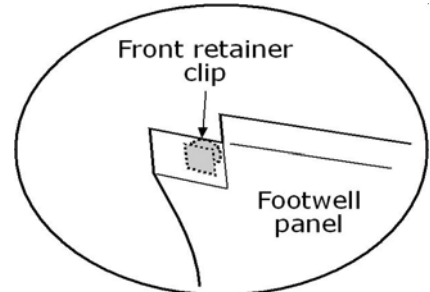
13. INSTALLATION

DRIVER SIDE LED MODULE INSTALLATION

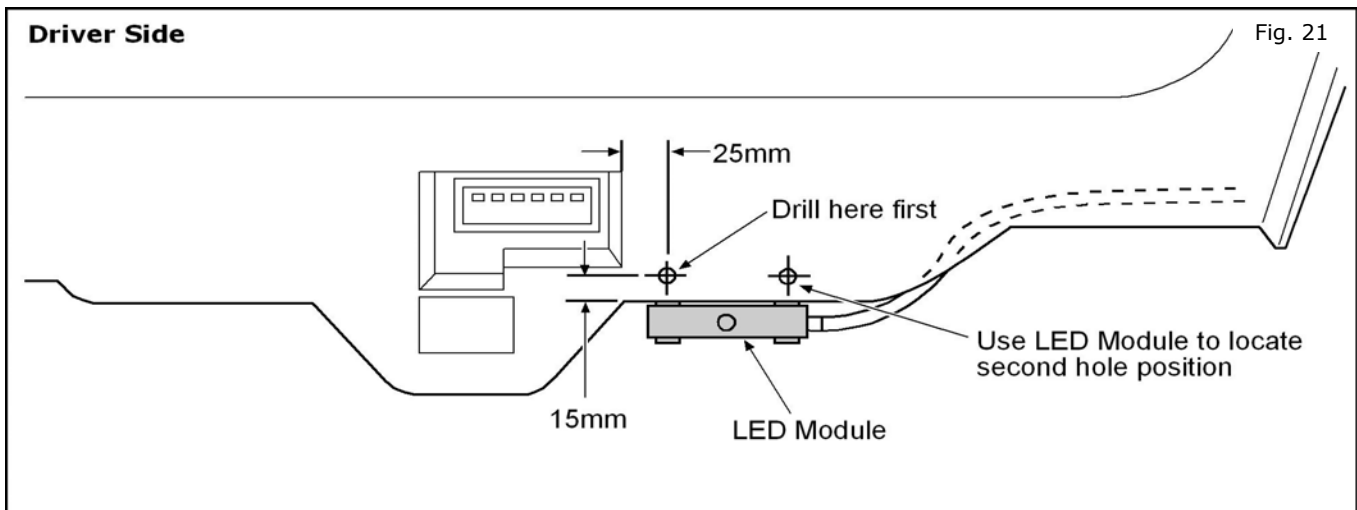


19. Carefully pry out center footwell panel from the driver side of the center stack.

NOTE: Be sure the front retainer clip stays with the panel.



20. Feed the driver side LED module through behind the center stack to the driver side footwell.



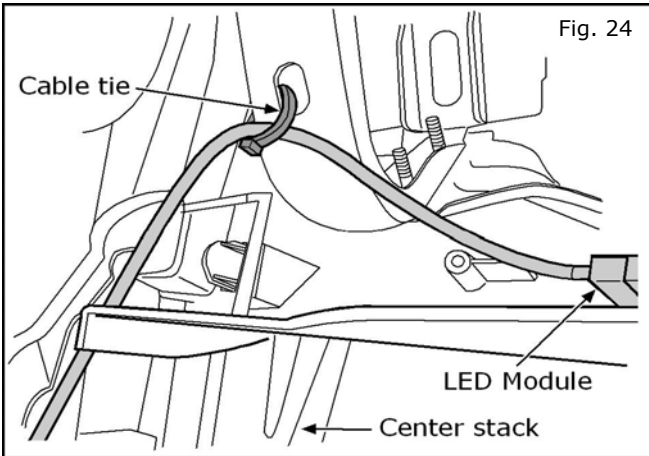
21. Prepare to mark and drill locations for the driver side LED Module. Measure and mark **25mm** over from the right edge of the diagnostic port. Measure and mark **15mm** in from the bottom edge of the steering finisher.

22. Carefully drill a **3/16** inch hole at this first location.

23. Place the driver side LED module in the inside of the panel with the LED facing **downward**. Use one (1) phillips screw from the outside of the panel to mount the driver side LED module as shown at the first hole. Rotate the module into position, making sure the LED is not covered by the edge of the panel. Use the bracket on the LED module to mark and drill the second hole location. Insert the second phillips screw and securely fasten the module.

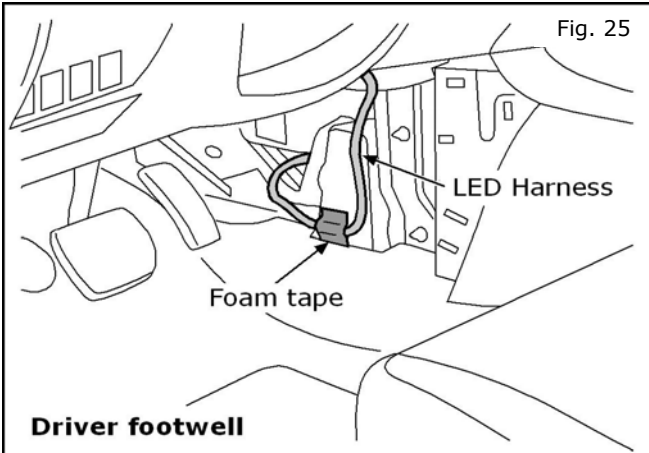
INSTALLATION INSTRUCTIONS - Accent Lighting Kit

13. INSTALLATION



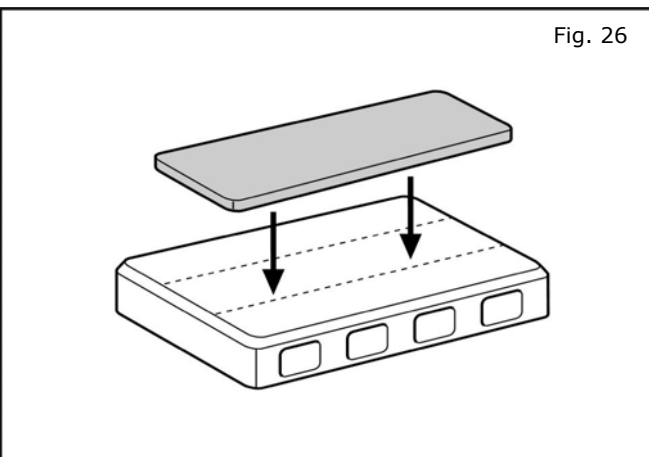
24. Route driver side harness under the dashboard towards the center stack. Secure to the knee bolster with a cable tie as shown.

Note: The view shown here is looking up under the dash from behind, near the center stack.



25. Route driver side harness through the center stack and out towards the passenger footwell. Secure the harness to the HVAC duct with foam tape as shown.

Note: A section of corrugated flex tubing is included on the harness. This tubing should be positioned behind the center stack to protect the wiring from any metal edges.



Note: Attach one (1) 58mm x 82mm foam tape to the underside of the accessory control module, covering the screw in the center.

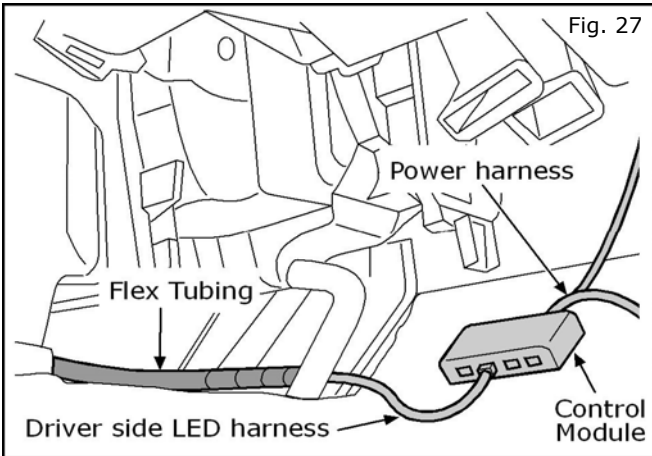
26. Place one (1) piece of foam tape over the top of the accessory controller.

It should be on the opposite side of the sticky foam tape covering the screw.

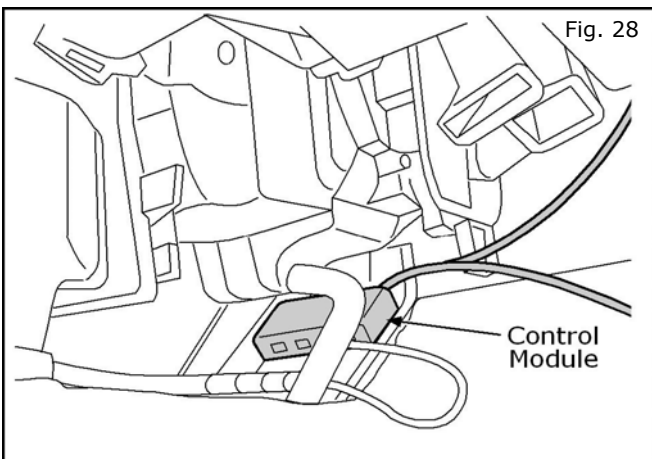
Note: Do NOT pull cover off tape on controller at this time.

INSTALLATION INSTRUCTIONS - Accent Lighting Kit

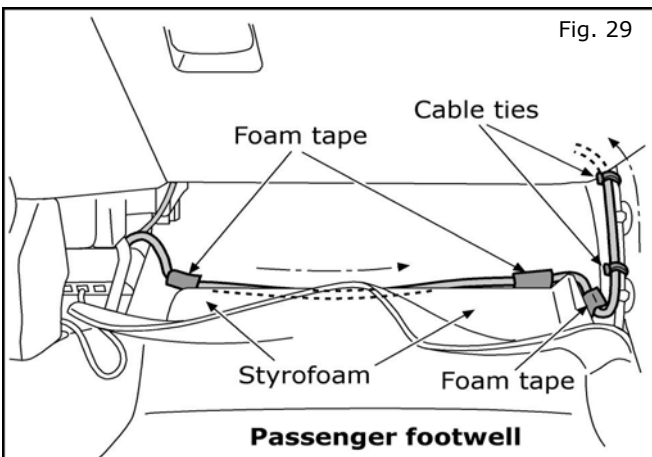
13. INSTALLATION



27. Route harnesses under the center stack. Plug the harnesses into the control module.

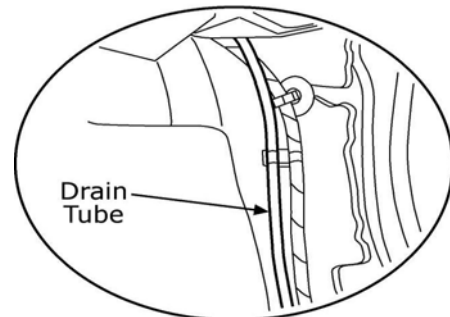


28. Peel the cover off the tape on the controller and securely place the controller on the metal bracket under the center stack.



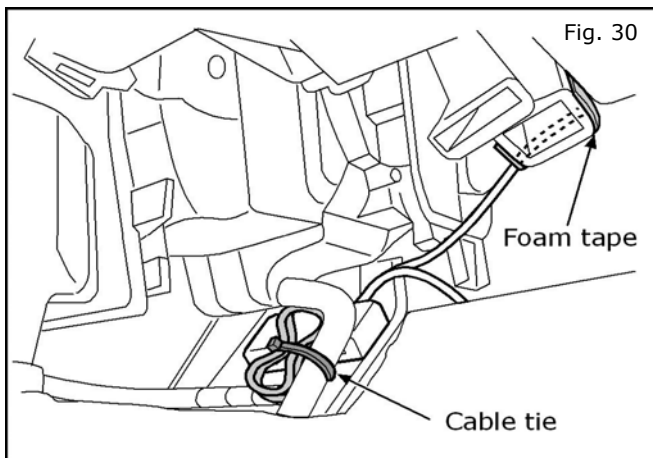
29. Carefully peel back the passenger side carpet. Route the wiring that leads to the Accessory Connector along the top of the styrofoam filler panel. Secure the wiring with foam tape in three (3) places and tuck it behind the styrofoam as shown. Secure the wiring along the existing harness on the right side with cable ties.

Note: Do NOT secure the wiring to the drain tube in any way.



INSTALLATION INSTRUCTIONS - Accent Lighting Kit

13. INSTALLATION



30. **Bundle** any excess wiring and secure with a cable tie under the center stack at the module as shown.

Secure the wiring from the glovebox lamp to the underside of the vent ducting with foam tape as shown.

Note: Be sure cables do not touch footwell panel, to prevent rattling.

31. Reinstall the driver side footwell panel (see Fig. 18).

32. Reinstall the passenger side footwell panel. (see Fig. 1).

NOTE: Trim all cable ties. Check installation.

INSTALLATION INSTRUCTIONS - Accent Lighting Kit

14. CHECK OUT

- (1) Shut all doors on the vehicle.
- (2) Wait until all interior lamps go out.
- (3) Turn on the headlamps.
- (4) Verify that both LEDS come on.
- (5) Check the trim for a proper, flush fit after re-installing the interior components.
- (6) Clean the interior of the vehicle.
- (7) Inspect the vehicle interior and exterior for damage.
- (8) Check and clear trouble codes (DTC).
- (9) If this vehicle will be returned to a dealer lot or showroom for an extended period of time, be sure the extended storage switch is placed in the "inventory" position.
(Refer to section 9 - Vehicle Preparation)
- (10) If vehicle is NOT going into storage, reset the radio presets to the recorded settings.

INSTALLATION INSTRUCTIONS - Accent Lighting Kit

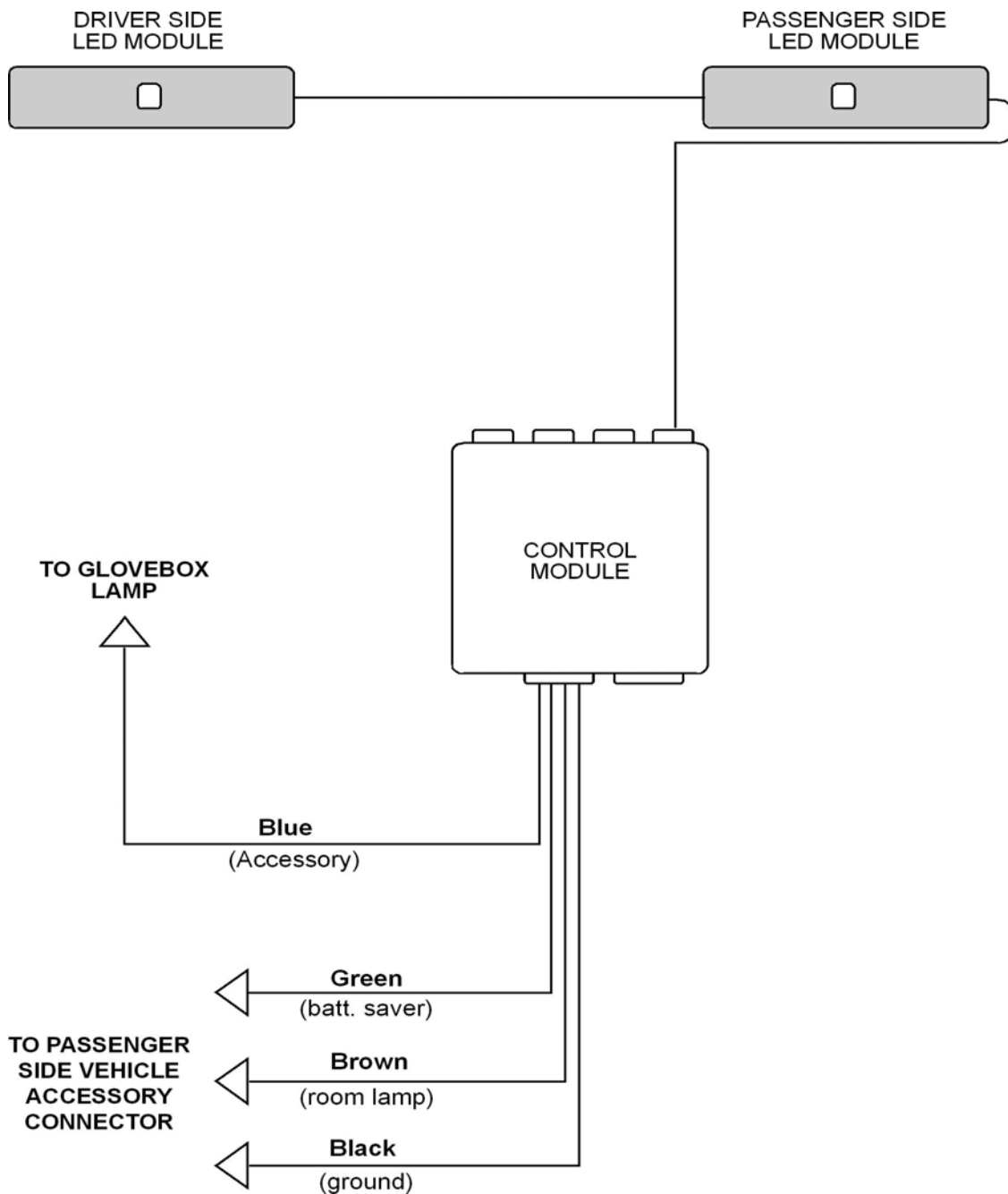
15. BILL OF MATERIALS

Nissan Universal Accent Lighting Kit - 999F3 UZ000

	Parts Contained in Bag Labelled 'Installation Kit'.	Qty	Part Number
1	Accent Lighting Controller (Single Color - White)	1	999F3 VZ000
2	LED Lamp Assembly (w/Harness)	1	999F3 UZ010
3	Vehicle Interface Harness	1	999F3 UZ020
4	Miscellaneous Parts Kit	1	999F3 UZ030
5	CABLE TIE 4" BLACK	5	
6	80 X 30 X 5MM THICK FOAM	8	
7	POSI-TAP (20AWG/0.5mm ² TYPE)	4	
8	SCREW N8, 1/2" LG HEAD, BLACK	4	
9	MODULE ADHESIVE PAD 53MM X 33MM	1	
10	WHITE PAPER LABEL 14MM X 33MM	1	
11	POLYTHENE 8" X 12" BAG	3	
12	POLYTHENE 102" X 140" BAG	1	
13	PACKING ID LABEL	1	
14	CABLE TIE 15" BLACK	3	
15	Website Instructions w/Parts List	1	999V2 AW000
16	Installation Instructions (Website)	0	999F3 UZ000 II

INSTALLATION INSTRUCTIONS - Accent Lighting Kit

16. MECHANIZATION



INSTALLATION INSTRUCTIONS - Accent Lighting Kit

17. TEMPLATE A

