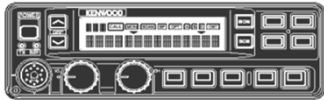


TK-5910

700/800 MHz FM Analog & P25 Digital Mobile Radio



5910 series mobile includes:

- RF Deck Only
(Configuration Set & Assembly Labor Code must be order for a Complete Mobile.)
- Premium Warranty: 3 Years*

* All Accessories / options: 1 Year

GENERAL FEATURE

- 30W (763-806 MHz)
- 35W (806-870 MHz)
- 100 Zones / 1024 Channels
- Personality Lists
- Zone/CH Voice Announce
- Emergency Features
- Tactical Group
- Intercom
- Public Address
- Time Out Timer
- Busy Channel Lockout
- Ignition Sense
- Timed Power Off
- DB-25 & 9-Pin Accessory Connectors
- Transceiver Password
- Date & 12/24 Hour Time Clock
- Windows® Programming & Tuning
- Windows® Firmware Uploading
- Field-Programming & Tuning
- Voice Guide & Storage (option)
- MIL-STD 810 C/D/E/F/G, IP-54
- MIL-STD Noise-Cancel Mic (included)
- MIL-STD 12-Key DTMF Mic Option

MOUNTING CONFIGURATIONS

- Dash Mount
- Single Control Head Remote Mount
- Handheld Control Remote Mount
- Dual Control Head Remote Mount

FRONT PANELS/CONTROL HEADS

- Backlit Dot Matrix LCD
- 3-Digit Sub-Display
- Transmit LED
- Busy/Call Alert/Warn LED
- LCD Brightness Control
- Backlit Keys
- MIL-STD 810 512.X Driven Rain

KCH-14 Front Panel

- 12-Character Alphanumeric Aliases
- 5 PF & UP/DOWN Keys
- PF Key Label Inserts
- Built-in Front Speaker

KCH-15 Front Panel

- 14-Character Alphanumeric Aliases
- 11 PF Keys & UP/DOWN Keys
- PF Key Label Inserts

KHC-16 Handheld Control Head

- 14-Character Alphanumeric Aliases
- 5 PF Keys & UP/DOWN/LEFT/RIGHT Keys
- Front PF Keys Name Display
- 12-Key DTMF/Function Keypad
- External Speaker Required

SCAN TYPES (FM & P25)

- Single Zone/Multi-Zone Scan
- Scan Lists
- Conventional Scan
- Limited Talk Group Scan
- Priority Monitor Scan
- Dual Priority Scan

FM

- QT / DQT
- Operator Selectable Tone
- DTMF Encode
- Horn Alert Output
- Companded Audio
- NPSPAC Channels

P25 DIGITAL

- P25 Digital Conventional
- P25 Digital Trunking
- AMBE+2™ Enhanced VOCODER
- Talk Group ID Lists
- Individual ID Lists
- Caller ID Display
- RSSI Indicator
- Remote Monitor / Check, Radio Inhibit
- Encryption Key Zeroize & Retention
- DES Encryption Module
- AES & DES Encryption Module
- KPG-43AM Radio Program/Soft-Key Loader Cable
- KPG-94 KVL Device Key Loader Cable
- P25 GPS Location
- P25 OTAR Option

MSWIN Compatible Radio

MODEL		EPL	LIST
TK-5910BK	700/800 MHz 2-30/35W 100 Zones/1024 Channels (R.F. DECK ONLY)	1,406.25	1,875.00

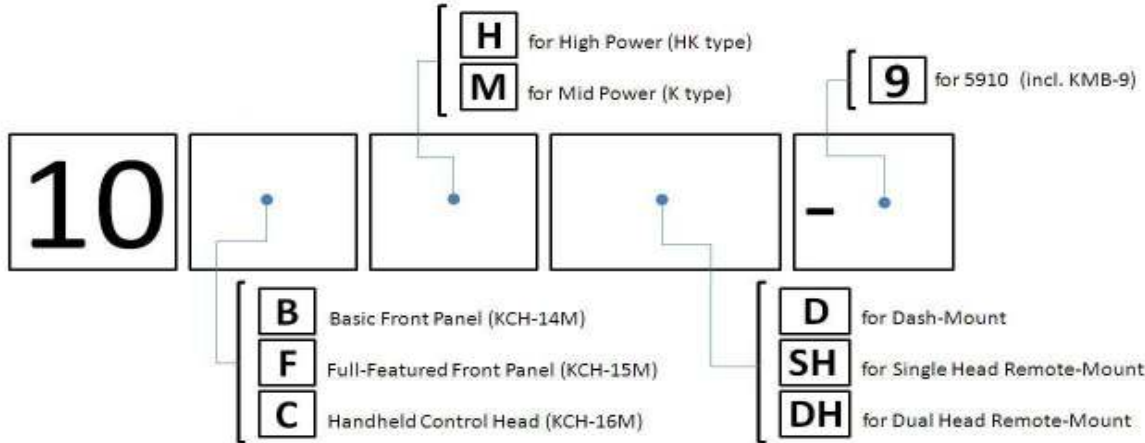
Programming Cost: \$50.00 Installation Cost: \$50.00

ACCESSORY CONFIGURATION SETS

EPL

LIST

CONFIGURATION SET DEFINITIONS



Dash Mount

		EPL	LIST
10BMD-9	KCH-14M, KCT-23M, KMB-9, KMC-27	507.19	676.25
10FMD-9	KCH-15M, KCT-23M, KMB-9, KMC-27, KES-5	553.13	737.50

Programming Cost: \$50.00 Installation Cost: \$50.00

Single Head Remote Mount

		EPL	LIST
10BMSH-9	KCH-14M, KRK-5, KCT-22M2, KCT-23M3, KMB-9, KMC-27	682.88	910.50
10FMSH-9	KCH-15M, KRK-5, KCT-22M2, KCT-23M3, KMB-9, KMC-27, KES-5	728.81	971.75

Dual Head Remote Mount

		EPL	LIST
10BMDH-9	KCH-14M(x2), KRK-6DH, KCT-22M2(x2), KCT-23M3, KMB-9, KMC-27(x2)	1,280.63	1,707.50
10FMDH-9	KCH-15M(x2), KRK-6DH, KCT-22M2(x2), KCT-23M3, KMB-9, KMC-27(x2), KES-5(x2)	1,372.50	1,830.00

Handheld Control Head Remote

		EPL	LIST
10CMSH	KCH-16M, KRK-11M, KCT-22M2, KCT-23M3, KMB-9, KES-5	784.69	1,046.25

FRONT PANELS & REMOTE KITS (Order Configuration Sets for full install accessories)

EPL

LIST

KCH-14M	Basic Remote Control Head w/ 12 Alphanumeric Display (4W Front Speaker) Note: All KCH-14 / Basic Control Head configurations are shipped with the control heads 4W internal speaker enabled. Order L-1008 to enable the 13W external speaker output for KES-5 speaker use. This will disconnect the control heads internal 4W speaker !	378.00	504.00
KCH-15M	Full-Featured Remote Control Head w/ 14 Alphanumeric Display Note: requires an external speaker	378.00	504.00
KRK-5	Single Control Head Remote Mount Kit	110.25	147.00
KRK-6DH	Dual Control Head Remote Mount Kit	189.00	252.00

HANDHELD CONTROL HEAD REMOTE (Order Configuration Sets for full install accessories)

EPL

LIST

KCH-16M	Handheld Control Head for P25 Mobiles Note: requires KRK-11M, KCT-22M/M2/M3, & KES-5	409.50	546.00
KRK-11M	KCH-16M HHCH Interface Kit for Single Head Remote	212.63	283.50

CABLES

EPL

LIST

KCT-18	Ignition sense cable	10.28	13.70
KCT-22M	Control cable - 8 Feet	55.13	73.50
KCT-22M2	Control cable - 17 Feet (Standard accessory config. set cable)	63.00	84.00
KCT-22M3	Control cable - 25 Feet	70.88	94.50
KCT-23M	DC Cable (Dash mount)	23.63	31.50
KCT-23M3	DC Cable (Remote mount)	26.06	34.75

MOBILE INSTALLATION ACCESSORIES		EPL	LIST
KLF-2	Line Filter (suppresses alternator whine, 25dB, 25A max)	31.50	42.00
KMB-9	Heavy Duty Mounting Bracket with built-in key lock	27.56	36.75
MICROPHONES AND SPEAKERS		EPL	LIST
KES-5	External Speaker (40W max input)	45.95	61.25
KMC-27	MIL-SPEC noise-canceling mobile hand microphone	78.00	104.00
KMC-28	MIL-SPEC DTMF noise-canceling mobile hand microphone	122.25	163.00
KMC-9B	Desk top microphone	72.38	96.50
SERVICE RELATED ACCESSORIES		EPL	LIST
KPG-95DGK	Windows® Programming Software for TK-5x10 & TK-5x10G Portables & Mobiles (Compliant with FCC Part 90 Narrowbanding) Note: Self-programming function is not available.	471.00	628.00
	Analog & P25 Conventional Programming A "Dealer-Level" License ID is included with each KPG-95D/DG(N)K which only permits full analog conventional and P25 conventional programming. Data files created with a "Network-Level Licensed" KPG-95D/95DG(N) and containing P25 programmed P25 trunked network parameters can be loaded and viewed with a Dealer-Level Licensed KPG-95D/DG(N)K, but the trunked network parameters cannot be changed.		
	P25 Trunked Programming Capability (licensed by either 1 or 2 below):		
	1. KPG-95DG(N)K with System Key File (*.SKF)- See L-989		
	• For all TK-5x10 radio platforms (VER1, 2, 3 or later).		
	• 3-digit HEX System ID (HSID) and verifiable written authorization required from trunked system operator (SYSOP).		
	• Purchase KPG-95DG(N)K & L-989 Network-Level License ID		
	• Kenwood ships an encrypted *.SKF file on CD ROM		
	• The *.SKF securely embeds/encrypts the 16-digit Network Level License ID & the HSID.		
	2. KPG-95DG(N)K with Advanced Network Keys (ANK's)		
	• For TK-5x10G/5410/5910 VER 3 or later radio platforms only.		
	• SYSOPs: Refer to KWD-ANK-MK Master Key		
	• Dealers/contractors: Refer to KWD-ANK-AK Access Key		
	• KPG-95DG(N)K (V7.0 or later) supports up to 16 KWD-ANK-AK Access Keys (16 trunked networks).		
KWD-ANK-AK	Access Key for KPG-95DG(N)K P25 trunked programming	156.00	208.00
	Notes:		
	• For TK-5x10G/5410/5910 VER 3 or later radio platforms only		
	• Must be activated by a SYSOP with KWD-ANK-MK Master Key.		
	• Must have KPG-95DG(N)K (V7.0 or later); L-989 is NOT required.		
	• Battery Life: 3 years (non-serviceable; key must be replaced)		
KPG-43UM	USB Programming interface cable	118.88	158.50
KPG-94	Key Loader Interface Cable for Motorola KVL-3000/3000 Plus	196.88	262.50

FRIMWARE OPTIONS		EPL	LIST
KWD-RK20	OTAR Option for KWD-AE20K Encryption Module in TK-5x10 series (OTAR in P25 Conventional & Trunked Modes) • Requires KWD-AE20K module. • L-1108 (for portable) & L-1109 (for mobile) Installation (no charge) • L-1733 (for portable) & L-1734 (for mobile) Field Upgrade Option Note: • Supports OTAR in P25 Conventional & Trunked modes (Not compatible with GK7 64 CH Model) • Compatible with Motorola KMF P25 OTAR (excludes Motorola-proprietary non-TIA/P25 KMF features) • Requires KPG-95D/DG(N) V7.10 or later for radio programming • TK-5x10 VER2: Requires KPG-95D V5.40 or later for radio programming • TK-5410/5910: Requires KPG-95D V6.00 or later for radio programming • TK-5x10G: Requires KPG-95DG(N) for radio programming • TK-5x10 VER2: Option deletes self-programming, cloning and analog FleetSync® (except PTT ID/Emergency) when installed. KWD-RK20 is an U.S. DOC/BIS Export Controlled Item (ECCN 5D002A) - See IMPORTANT NOTES -	622.50	830.00

SOFTWARE OPTIONS		EPL	LIST
KPG-114DE	DES Encryption Software Key Loader for KWD-DE21K/KWD-AE21K KPG-114DE is a U.S. DOC/BIS Export Controlled Item (ECCN 5D992A.1) - See IMPORTANT NOTES -	368.00	368.00
KPG-113AE	AES/DES Encryption Software Key Loader for KWD-DE21K/KWD-AE21K KPG-113AE is a U.S. DOC/BIS Export Controlled Item (ECCN 5D002A) - See IMPORTANT NOTES -	525.00	525.00

OPTION MODULES		EPL	LIST
KWD-DE21K	DES Encryption Module for TK-5*10 and 5*20 Portables & Mobiles Order a Labor Code (L-1602) if installation is required Note: Requires KPG-114DE or KPG-113AE software key loader or Motorola KVL3000 Plus key loader device KWD-DE21K is a U.S. DOC/BIS Export Controlled Item (ECCN 5A992A) - See IMPORTANT NOTES -	433.50	578.00
KWD-AE20K	AES FIPS140-2 & DES Encryption Module for TK-5*10 and 5*20 Portables & Mobiles Order a Labor Code (L-1345) if installation is required. KWD-AE20K requires: a Motorola KVL3000 Plus key loader device. KWD-AE20K is an U.S. DOC/BIS Export Controlled Item (ECCN 5A002A.1) - See IMPORTANT NOTES -	748.50	998.00
KWD-AE21K	AES & DES Encryption Module for TK-5*10 and 5*20 Portables & Mobiles Order a Labor Code (L-1346) if installation is required. Note: Requires KPG-113AE software key loader or Motorola KVL3000 Plus key loader device. KWD-AE21K is an U.S. DOC/BIS Export Controlled Item (ECCN 5A002A.1) - See IMPORTANT NOTES -	748.50	998.00
KWD-HW10M-BK	P25 Phase II upgrade options 700/800 MHz. RF deck only. (Option must be purchased with a TK-5910BK Phase I new radio order)	400.00	N/A

INSTALLATION / TUNING CHARGES		EPL	LIST
L-862	Install Front Panel PF Key Label Inserts in TK-5*10/90-series Mobile (key names and positions must be specified)	11.25	15.00
L-864	KCT-22A Extended Control Head Cable (Specify length in 1 ft increments up to 50 ft. max.)	142.50	190.00
L-865	KCT-22A Extended Control Head Cable (Specify length in 1 ft. increments up to 100 ft. max.) Extended control head cables: Extended cables result in a loss of control head audio power. On KCH-14 use 13W audio output modifications per service manual Use a standard KCT-22 25 ft. or less cable for firmware installation. Normal KPG-95D radio programming is possible at extended lengths.	183.72	245.00
L-962	Install VGS-1 Voice Guide & Storage Unit	18.75	25.00

INSTALLATION / TUNING CHARGES - CONT'D		EPL	LIST
L-989	KPG-95D/95DG(N) Network Level ID (encrypted data file) Note: Enables Trunked system programming privileges in a KPG-95DG(N)K. - Restricted Purchase Requirements - • 3-Digit HEX System ID (HSID) from SYSOP required • Must Purchase KPG-95DG(N)K (V7.0 or later) with L-989 • Kenwood ships an encrypted *.SKF file on CD ROM • Non-SYSOP entities ordering L-989 must provide verifiable written authorization from SYSOP to receive an *.SKF file. • The 16-digit Network Level License ID & 3-digit HEX HSID are securely encrypted & embedded in the *.SKF file.	99.00	132.00
L-1005	TK-5*10 Programming (Basic TX/RX check only with factory test freq.s or dealer/customer provided KPG-95D/DG(N) data file)	93.75	125.00
L-1008	External Speaker modification for TK-5*10 mobile Control Head (13W) Note: All Basic Control Head (KCH-14M) configurations are shipped with the control heads 4W internal speaker enables. Order L-1008 to enable the 13W external speaker output for KES-5 speaker use. This will disconnect the control heads internal 4W speaker!	7.50	10.00
L-1028	Package Dash/Single Head Remote for 5*10 mobiles	12.75	17.00
L-1029	Package Dual Head Remote for 5*10 mobiles	25.50	34.00
L-1110	Package HHCH Remote for 5*10 mobiles	18.75	25.00
L-1345	Install KWD-AE20K in TK-5*10 Mobile (Must purchase module separately)	56.25	75.00
L-1346	Install KWD-AE21K in TK-5*10 Mobile (Must purchase module separately)	56.25	75.00
L-1602	Install KWD-DE21K in TK-5*10 Mobile (Must purchase module separately)	56.25	75.00
L-1734	KWD-RK20 Field Upgrade Option for TK-5x10/5x10G/5910 (Must purchase KWD-RK20 separately)	31.50	42.00

-- IMPORTANT NOTES --

Encryption modules, key loaders and radios containing encryption are export controlled by the U.S. Department of Commerce Bureau of Industry & Security EAR regulations and may either require an Export License, are eligible for a License Exception (ENC) or are exportable with No License Required (NLR) depending on the country, the consignee and the intended use. High level encryption is a special commodity that may require an export license to most countries. See www.bis.gov for more information regarding export regulations. DO NOT SHIP encryption items outside the U.S. without proper DOC/BIS Export Licenses and/or compliances. **Please contact a local Authorized Kenwood Dealer.**

KWD-AE20 AES FIPS140-2 SCM , NIST Validation & Customer Shipping

A secure delivery method direct to the end user customer is required by the NIST AES FIPS 140-2 validation rules. For U.S. Federal Government entities the SCM must ship from Kenwood USA Corporation directly to the end user customer by a trusted carrier (FEDEX, UPS or a designated Kenwood USA Corporation employee); shipping/handling by a dealer or other entity is not acceptable. This may or may not be required by local/state government agencies or business/industrial users. Please check with the end use customer about their AES encryption handling requirements before ordering. Kenwood will not be responsible for shipments of KWD-AE20K modules to erroneous destinations specified on an order.