

Installation and Operating Instructions for Vented Gas Log Sets - Remote Hearth Kits

Models:

**SA18SHKRN, SA18SHKRP,
SA24SKHRN, SA24SHKRP,
SA30SKHRN, SA30SKHRP**



**Certified to ANSI Z21.60
and CGA 2.26 Standards**

Decorative Gas Appliance For Installation In Solid Fuel Burning Fireplaces

WARNING

If the information in this manual is not followed exactly, a fire or explosion may result causing property damage, personal injury or loss of life.

— Do not store or use gasoline or other flammable vapors and liquids in the vicinity of this or any other appliance.

— WHAT TO DO IF YOU SMELL GAS

- Do not try to light any appliance.
- Do not touch any electrical switch; do not use any phone in your building.
- Immediately call your gas supplier from a neighbor's phone. Follow the gas supplier's instructions.
- If you cannot reach your gas supplier, call the fire department.

Please record your gas log's model number for future reference here:

Note: This model # can be found on the box or the label attached to the back of the burner pan.

ATTENTION

Installation, service, and repair of this appliance must be performed by a qualified installer, service agency, company or gas supplier experienced with this type of gas appliance.

INSTALLER:

Read these instructions completely and carefully prior to beginning installation. After installation, leave these instructions with the owner.

OWNER:

Read these instructions and follow the warnings. Save this manual for future reference.

Check local codes before installing this log set. In some areas of the country, gas log sets are restricted.

The installation and the provisions for combustion and ventilation air must conform with the National Fuel Gas Code, ANSI Z223.1/NFPA 54.

Carbon Monoxide Poisoning May Lead To Death

When used without fresh air, gas logs may give off carbon monoxide, an odorless, poisonous gas. Some people such as pregnant women, people with heart or lung disease, and persons at high altitudes are more affected by carbon monoxide than others.

Early signs of carbon monoxide poisoning resemble the flu: Headache, dizziness, and/or nausea. If you have these signs, the gas logs may not be installed or working properly. Get fresh air at once! Have the gas log set and chimney serviced before using it again.

CFM Corporation

410 Admiral Blvd. • Mississauga, Ontario, Canada L5T 2N6 • 905-670-7777
www.majesticproducts.com • www.vermontcastings.com

3311857 12/05 Rev. 5

WARNING

Improper installation, adjustment, alteration, service or maintenance can cause injury or property damage. Read these directions thoroughly before installation. For assistance or additional information, consult your gas log dealer, qualified installer, service agency or gas supplier.

WARNING

Do not use this appliance or any part that has been under water. Immediately call a qualified service technician to inspect the appliance and to replace any part of the control system and any gas control which has been under water.

WARNING

Young children are not allowed to operate this unit and must be supervised when they are in the same room as the appliance.

Children and adults should be alerted to the hazards of high surface temperature and should stay away to avoid burns or clothing ignition.

WARNING

Due to high temperatures, the appliance should be located out of traffic and away from furniture and draperies. In addition, clothing or other flammable material should not be placed on or near the appliance.

WARNING

A properly sized, unobstructed chimney will normally vent all fumes and products of combustion. Any odor or smoke detected in the room is an indication that the flue is not properly removing the combustion products. Turn off the gas supply valve immediately! The cause of the venting problem must be discovered and corrected before using this gas log set. Disregarding this warning can cause illness as well as soot damage to your fireplace, room, and furnishings.

Technical Information

The operation of a gas log set, and the provision for combustion and ventilation air must conform with the National Fuel Gas Code, ANSI Z223.1/NFPA 54 and applicable codes.

Gas Pressure Testing: This gas log set and its individual shut-off valve **MUST** be disconnected from the gas supply piping system during any pressure testing of that system at test pressures in excess of 1/2 psig (3.5 kPa). The gas log set must be isolated from the gas supply piping system by closing its individual manual shut-off valve during any pressure testing of the gas supply piping system at test pressures equal to or less than 1/2 psig (3.5 kPa)

Component Parts: Only factory authorized components listed in these instructions may be used in accordance with the manufacturer's instructions and all codes and requirements of the authority having jurisdiction. Any modifications to this kit, or use of unauthorized components or accessory items will void the manufacturer's warranty, and may result in a hazardous condition.

Before You Begin -- Attention!

- A. The appliance should be inspected before use and at least annually by a professional service person. More frequent cleaning may be required due to excessive lint from carpeting, bedding material, etc. It is imperative that control compartments, burners and circulating air passageways of the appliance be kept clean.
- B. Your fireplace must include a chain mesh or similar screen. The screen must remain fully closed while operating your log set. Any safety screen or guard removed for servicing this appliance must be replaced prior to operation.
- C. If your fireplace includes glass doors, they must remain **fully open** to allow for combustion air during operation, and to prevent overheating of the gas valve.
- D. Your log set must be installed in a solid fuel burning fireplace constructed of noncombustible material with a working flue.
- E. Solid fuels shall not be burned in the fireplace where your gas log set is installed.
- F. If this log set is to be used with propane gas, your propane supply tank **MUST** include a high to low gas pressure regulator, and must be located outside. **DO NOT** place supply tanks inside any structure.
- G. Never use sand or other dense pan material with propane gas: use vermiculite only.
- H. Be sure to apply pipe joint compound to all non-flared, threaded connections involved in this installation to avoid possible gas leaks. Compounds used in liquid propane applications must be resistant to the action of that gas.
- I. Always test for leaks using a soapy solution. **NEVER USE OPEN FLAME.**
- J. The manufacture and shipping of your log set involves compounds which may cause detectable yet harmless odors during initial operation. Provide extra ventilation to the room for the initial 2-3 hour break-in period.
- K. This gas log set may be installed in the approved fireplace in an aftermarket* manufactured (mobile) home where not prohibited by state or local codes. *Aftermarket: Completion of sale, not for purpose of resale, from the manufacturer.
- L. The fireplace damper MUST be fully open when operating this log set.**

Fireplace Specifications

Before installation, the chimney flue, venting system, and firebox must be cleaned of all soot, creosote, ashes and loose paint, by a qualified chimney cleaner.

Your Fireplace Must Include:

- A working flue and venting system with the minimum openings indicated on page 8.
- A gas supply shut off valve. If your fireplace does not have such a valve, one must be installed

Pre-Installation Checklist	Yes	No
Is the gas supply inlet pressure correct? NG: Min. 5.5" w.c./Max. 14.0" w.c. LP: Min. 11" w.c./Max. 14.0" w.c.		
Does the firebox meet the minimum size dimensions below?		
Is your fireplace plumbed with gas on the right side (facing) of the fireplace? If not, refer to ee Page 5		
Is the gas supply line sized properly (Minimum 1/2" iron pipe)?		
Do you have a solid fuel (wood burning) fireplace with a vented flue?		
Do you have a manual gas supply valve installed at your fireplace? If not, a licensed plumber, gas company technician or other qualified installer must install one.		
Have you checked local building codes? (Check with your local building department)		
Does your fireplace have a wire mesh screen in place?		

CAUTION: If you answered "NO" to any item, or have any questions regarding your installation, please contact your dealer/distributor for assistance.

Minimum Clearances & Specifications									
Natural Gas Units									
Set Size	Input Btu/hr	Minimum Firebox Dimensions				Minimum Flue Size	Gas Fuel Line Pressure		Manifold Pressure
		Width		Depth	Height		Minimum	Maximum	
		Back	Front						
18"	45,000	16"	33"	15"	18"	51 sq.in.	5.5"w.c.	14.0"w.c.	3.5"w.c.
24"	60,000	20"	36"	15"	18"	51 sq.in.	5.5"w.c.	14.0"w.c.	3.5"w.c.
30"	60,000	27"	39"	15"	18"	51 sq.in.	5.5"w.c.	14.0"w.c.	3.5"w.c.

NOTE: All dimensions are minimums.

Propane Gas Units									
Set Size	Input Btu/hr	Minimum Firebox Dimensions				Minimum Flue Size	Gas Fuel Line Pressure		Manifold Pressure
		Width		Depth	Height		Minimum	Maximum	
		Back	Front						
18"	40,000	16"	33"	15"	18"	51 sq.in.	11.0"w.c.	14.0"w.c.	10.0"w.c.
24"	45,000	20"	36"	15"	18"	51 sq.in.	11.0"w.c.	14.0"w.c.	10.0"w.c.
30"	60,000	27"	39"	15"	18"	51 sq.in.	11.0"w.c.	14.0"w.c.	10.0"w.c.

NOTE: All dimensions are minimums.

Tools Required

8" adjustable crescent wrench ; Pipe thread sealant compound or teflon tape ; 12" pipe wrench or channel lock pliers.

Gas Plumbed on Left Hand Side of Fireplace

NOTE: Your gas log set is assembled at the factory to be installed in a fireplace plumbed with the gas on the right side (facing). If your fireplace is plumbed with the gas on the left side, you will need to run a flexible connector (or as per local codes) along the back wall of the fireplace to bring your gas line to the right hand side. You can then place the set in front of the flexible connector.

Damper Stop Installation: For Use with BR, BC, SR, SC, TF and TL Series CFM Corporation Fireplaces

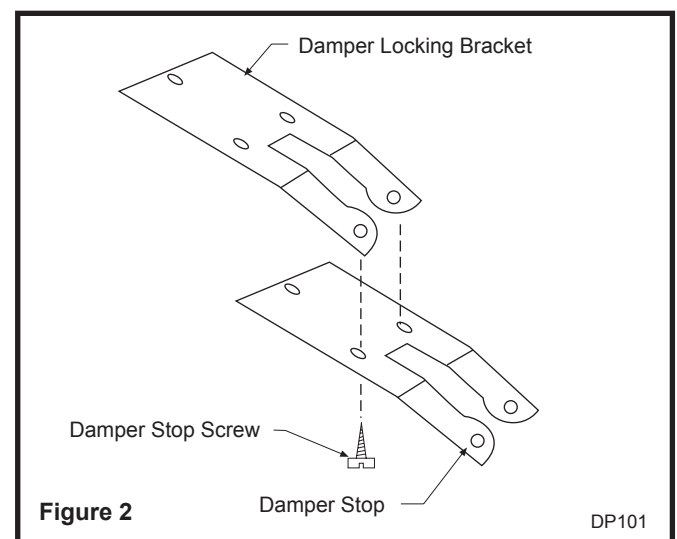
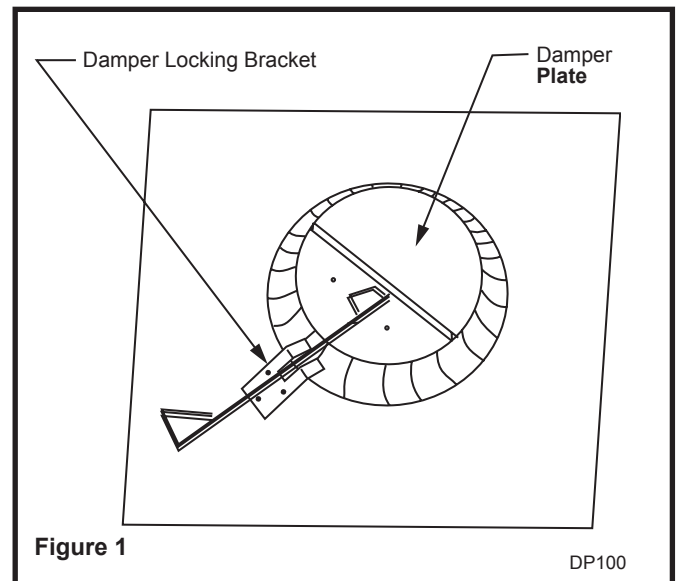
This Damper Stop is designed to work on all CFM Corporation BR, BC, SR, SC, TF and TL series fireplaces. For all other fireplaces, refer to Page 6.

When installing a decorative gas appliance in a fireplace, some local codes require this Damper Stop to be used so the Damper will not close completely. To install the Damper Stop:

The Damper Locking Bracket is already installed on all BR, BC, SR, SC, TF and TL fireplaces. Locate the Damper Locking Bracket on the left side of the fireplace's Combustion Dome. (Fig. 1)

With the Damper open, align the two slots on either side of the cut-out on the Damper Stop with the two small holes on the angled portion of the Damper Locking Bracket. Attach the Damper Stop with the Screws provided, as shown in Figure 2.

NOTE: Some of the early fireplace units may not have the holes in the end of the Damper Locking Bracket. If this is the case, use the Damper Stop as a template to drill two (2) 1/8" holes in the Damper Locking Bracket to mount the Damper Stop.



Damper Stop Installation: For Use With All Other Fireplaces

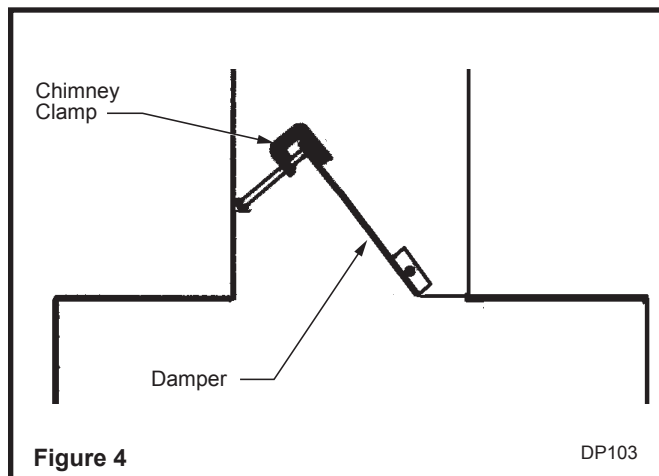
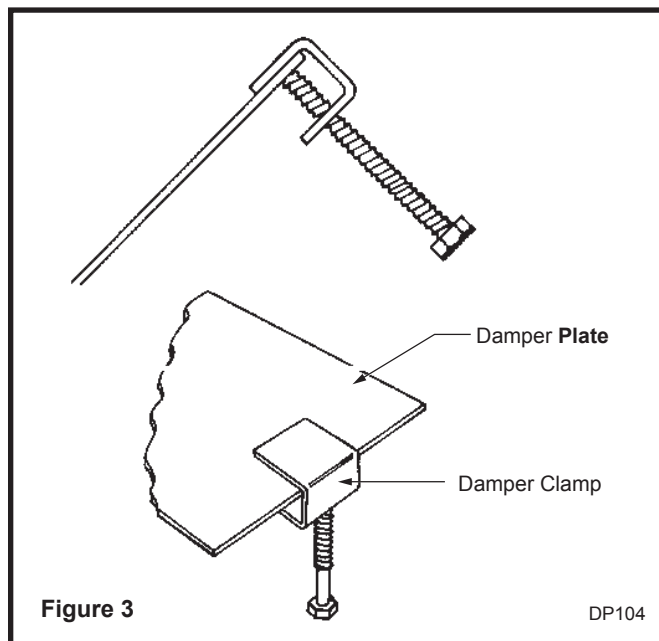
The Damper Clamp provided keeps your damper from accidentally closing during operation of your set. **This Damper Clamp must be installed onto your Damper at all times.** NOTE: The damper clamp is designed to hold the damper plate open 3 inches. However, the damper must be fully open when the log set is in operation.

Install the Damper Clamp onto the edge of the damper plate. Attach by securing the bolt provided to the damper plate with an adjustable wrench. (Fig. 3)

If the Damper Clamp does not fit, drill a 1/4" hole into the damper plate and install an anchor bolt with nut, at a 90 degree angle, so that the damper plate will remain fully open.

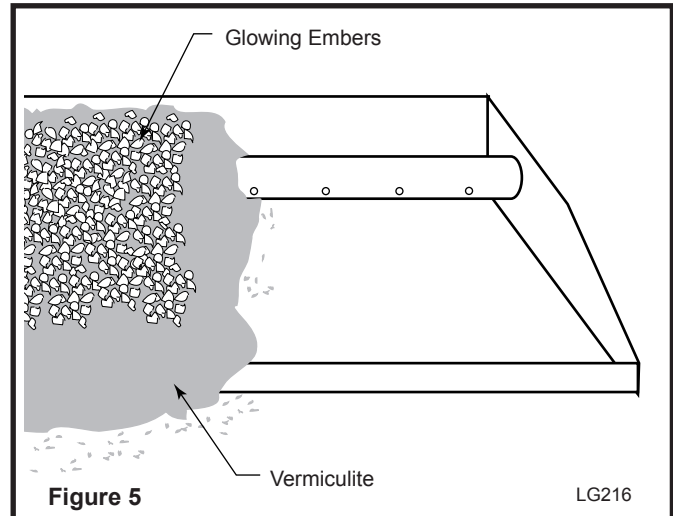
The proper finished installation of the Damper Clamp is shown in Figure 4. If the bolt fails to block the damper in an open position, the damper should be removed from the chimney.

To check your vent for proper drafting: Light a tightly rolled newspaper on one end and place it at the inside front edge of the fireplace. Observe the smoke and be sure the vent is properly drawing it up the chimney. If the smoke is drawn back into the room, extinguish the flame and remove any obstruction until proper venting is achieved. If that fails, check with a qualified chimney sweep.



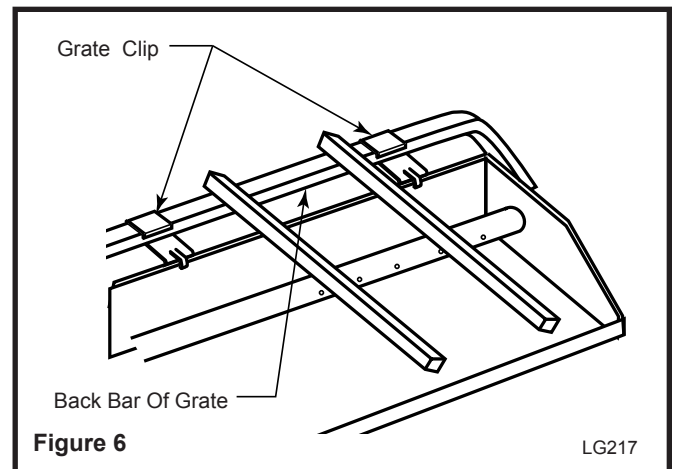
Adding Pan Material

1. Open the bag of Vermiculite and spread it evenly across the Burner Pan, to the top, as shown in Figure 5. You may overflow the front and sides of the pan to cover the entire pan and connecting hardware.
2. Next, open the bag of Glowing Embers and place them on top of the Vermiculite, evenly across the Burner Pan. Be sure to separate the Glowing Embers into very small pieces before placing them.



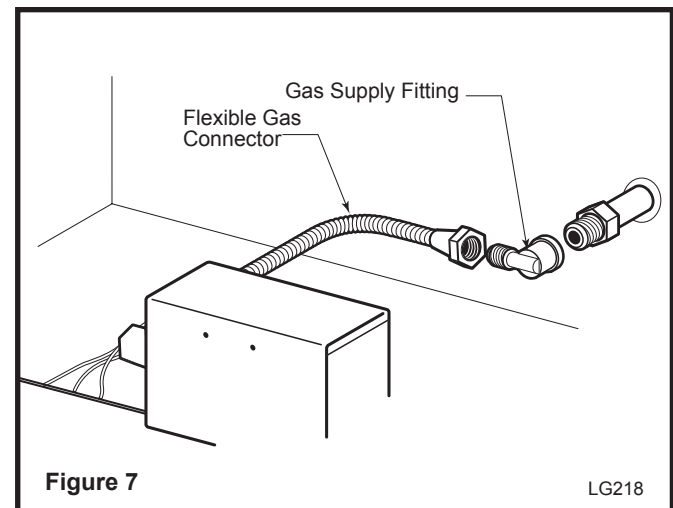
Grate Clip Installation

1. Hook the U-Shaped part of the Grate Clips over the back horizontal bar of the Grate, as shown in Figure 6. Repeat with the other Clip.
2. Slide the rear edge of the burner pan into the three-pronged slot in the front edge of the grate clip, as shown in Figure 6.



Connection To Gas Supply

1. Center the burner pan from left to right in the fireplace and with the back of the grate against the back wall of the fireplace.
2. Attach the Gas Supply Fitting onto your fireplace's gas supply pipe. Remember to use pipe thread sealant or teflon tape on this connection.
3. Attach one end of the Flexible Gas Connector to the brass fitting on the back of the control valve, as shown in Figure 7.
4. Attach the other end of the Gas Connector to the flared side of the Gas Supply Fitting.



Leak Test Procedures

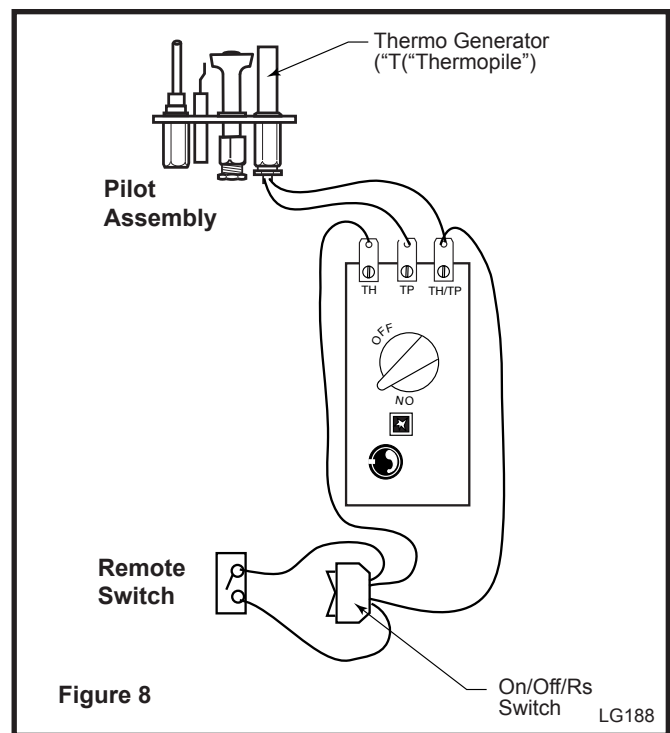
Create a mixture of equal parts soap and water. Apply to all the joints of the pipe fittings from the gas supply pipe to the burner. Turn on the gas supply valve for no longer than 3-5 seconds. If bubbles appear in the soap solution applied to the joints, there is a leak. Turn off the gas supply valve and tighten those fittings. Repeat the above procedure until no bubbles appear in the soap solution. Remember to test all joints.

WARNING: DO NOT USE AN OPEN FLAME TO TEST FOR LEAKS!

NOTE: Always perform a leak test any time the appliance has been moved or disconnected from the gas supply line.

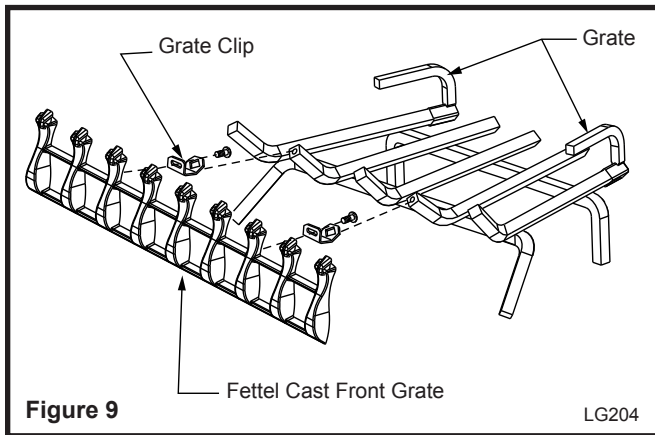
Remote Installation

Connect remote (GWSK or MRC 1, 2, 3) wires to ON/OFF/RS switch. (Fig. 8) If the MRC (remote) is used, the receiver can be placed to the front right of the gas valve to ensure safe operation.



Optional Fettel Cast Front Grate

Attach the fettel to the front of the grate as shown in Figure 9.

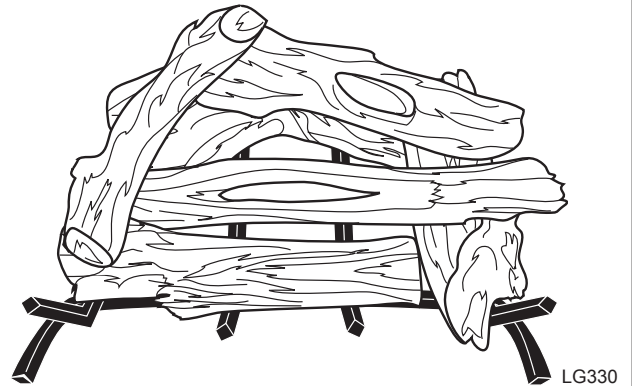


Log Placement

1. Place the larger bottom logs onto the grate, leaving as much space between them as possible. When burning, the flames should come up directly between the logs.
2. Place the smaller top logs diagonally onto the bottom logs. The top logs can be arranged to achieve your desired flame pattern. **Be sure you leave as much open space between the logs as possible to minimize flame impingement and sooting.**
3. Open the bag of lava rock and spread the rocks onto the fireplace floor around the burner pan for decorative purposes.

Available Log Sets

18" Standard Round Log Set



24" Standard Round Log Set



30" Standard Round Log Set



18" Standard Split Log Set



LG333

18" Standard Combination Log Set



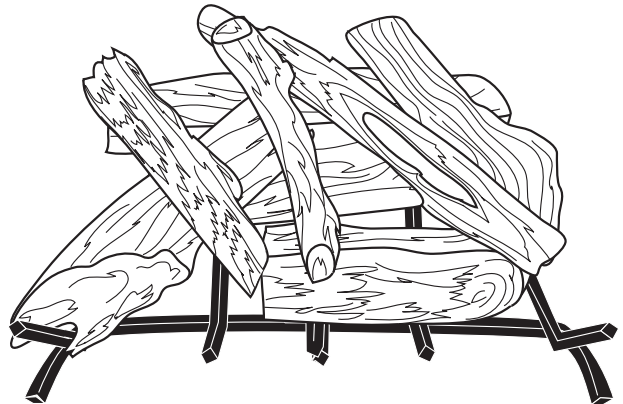
LG336

24" Standard Split Log Set



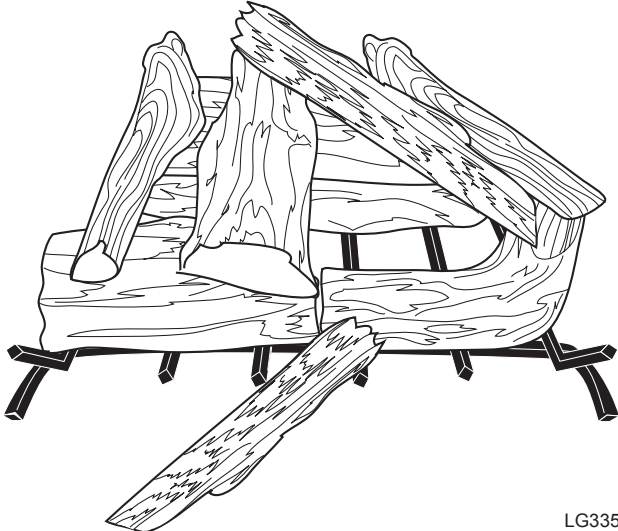
LG334

24" Standard Combination Log Set



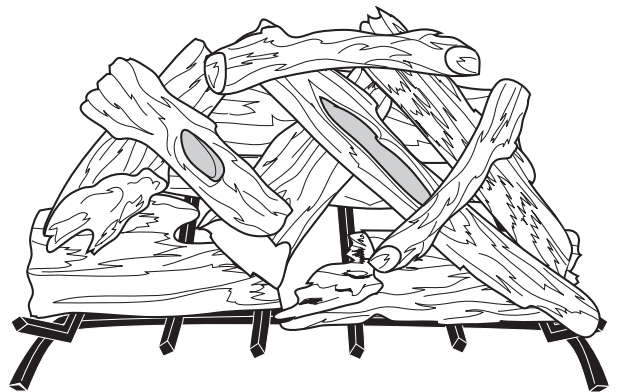
LG337

30" Standard Split Log Set



LG335

30" Standard Combination Log Set



LG338

For Your Safety Read Before Lighting

WARNING: If you do not follow these directions exactly, a fire or explosion may result causing property damage, personal injury, or loss of life.

What To Do If You Smell Gas

- Do not try to light any appliance
- Do not touch any electrical switch, do not use any phone in your building
- Immediately call your gas supplier from a neighbor's phone. Follow the gas supplier's instructions
- If you cannot reach your gas supplier, call the fire department




Before operating, smell all around the appliance area for gas odor. Be sure to smell near the floor because some gases (propane) are heavier than air and will "pool" on the floor.

Use only your hand to push or turn the gas control dial. **NEVER USE TOOLS.** If the knob will not push in or turn by hand, don't try to repair it, call a qualified technician. Force or attempted repair may result in a fire or explosion.

Lighting the Pilot

The pilot will resist lighting on new installations due to air in the gas supply line. It may take several minutes to bleed air completely out of the gas plumbing system through the pilot line.

This appliance has a pilot which is lit by a spark ignition device (piezo). If the piezo fails, then light the pilot using matches following the Match Lighting instructions below.

1. **STOP!** Read the safety information above.
2. Push in gas control knob slightly and turn clockwise  to "OFF".
3. **NOTE: Knob cannot be turned from "PILOT" to "OFF" unless knob is pushed in slightly. Do not force.**
4. Wait five (5) minutes to clear out any gas. If you then smell gas, **STOP!** Follow the safety information above. If you don't smell gas, go on to the next step.
5. Turn the control knob counterclockwise  to "PILOT" and push in. Continue to hold the control knob in and push the piezo igniter button in until the pilot lights.
6. Continue to hold the control knob in for about one (1) minute after the pilot is lit. Release the knob and it will pop back up. Pilot should remain lit. If it goes out, repeat steps 3 and 4.
7. If the knob does not pop out when released, stop and call your service technician or gas supplier. If the pilot will not stay lit after several tries, turn the gas control knob to "OFF" and call your service technician or gas supplier.
8. Turn gas control knob counterclockwise  to "ON". **CAUTION:** Be sure ON/OFF/RS switch is in the off (middle) position. Also, the GWSK should be in the "OFF" position and/or the remote should be in the "OFF" position before turning the control knob "ON". If pilot goes out, repeat steps 4 and 5.
9. Turn ON/OFF/RS switch to "ON" or remote position. Turn remote switch to "ON".
10. Flame is adjustable by rotating the "HI/LO" knob.

Match Lighting

1. Follow the “Lighting the Pilot” instructions steps 1 thru 4 above.
2. Push the control dial in all the way and hold. Immediately light the pilot with a match. Continue to hold the pilot for about one minute after the pilot is lit. Pilot should remain lit. If the pilot goes out, repeat Lighting the Pilot steps 1 thru 4 above and this step 2.

Troubleshooting

Log Set Is Smoking/Sooting Excessively

It is natural and unavoidable for vented gas log sets (especially propane) to produce moderate levels of carbon (soot) where flame contacts the logs. The logs can be cleaned using a soft-bristle brush. However, if soot is produced where there is no flame impingement, one of the following may be the cause:

Fireplace venting system not drafting properly: Make sure the damper is wide open at all times. Preheat the flue in very cold weather by burning the log set at a very low level, then slowly increasing the flame height over a matter of hours. Have the fireplace and the venting system professionally cleaned.

Excessive flame impingement or blockage: Make sure there is proper spacing between the logs so they are not smothering the flame. Rearrange the logs so they are touched less by the flames.

Excessive gas supply/pressure: Make sure the gas pressure coming into the fireplace does not exceed the maximum pressure allowed with this gas set (refer to tables on Page 4).

Incorrect Orifice used: Check the orifice size on Page 15 to see if you installed the correct orifice into the set.

Burner Is Excessively Noisy

Please note: The movement and combustion of gas will create low, unavoidable levels of noise.

Passage of air/gas across irregular surfaces: There may be burrs, paint, or other blockages on the burner bar ports. Check these ports and remove any blockage.

Excessive gas pressure: Make sure the gas pressure coming into the fireplace does not exceed the maximum pressure allowed with this gas set (refer to tables on Page 4).

Flexible Gas Connector: Relieve any tight bends or kinks in the Flexible Gas Connector. Switch to a less flexible gas connector, which can be purchased at any hardware or home improvement store.

Incorrect Orifice used: Check the orifice size on Page 15 to see if you installed the correct orifice into the set.

Troubleshooting

Burner Flame Is Too High (8-12" Above Top Logs) Or Too Low:

Incorrect gas supply, pressure, or burner orifice used: Make sure the gas pressure coming into the fireplace falls between the minimum and maximum pressures allowed with this gas set (refer to tables on Page 4). Make sure you installed the correct orifice into the set.

Blocked ports (low flame only): Free the main burner orifice and burner bar ports of any burrs, paint, or other blockage.

Pilot Will Not Light

Upon initial installation, the pilot may be difficult to light, due to air in the gas line, valve, and pilot tubing. If the pilot does not light for several minutes, try using a match to ignite it for the first few times. Initialing lighting the pilot may take up to five minutes of bleeding the line.

Piezo Igniter Out of Position: First make sure that, when the igniter button is pushed in, the igniter electrode at the Pilot Assembly is sparking. If it is, make sure the Igniter Electrode's tip sits directly over the pilot's hood. If it doesn't, adjust it carefully into position.

Piezo Igniter Not Sparking: If the electrode is not sparking, first make sure the wire which connects the electrode to the Piezo Push Button is not loose on either side. If the Piezo wire is not loose, call our customer service line.

Incorrect Pilot Orifice: Make sure the correct Pilot Orifice is installed: green for Natural Gas, red for propane.

Incorrect gas supply pressure: Make sure your gas pressure meets the specifications outlined on Page 4.

Flames at the Air Mixer (Flashback)--Propane Gas Only

Correct Orifice used: Check the chart on Page 15 to see if you used the correct Orifice. Also, be sure you only used the Orifices that came with this pilot kit. **Do not use the Orifice that came with your gas log set!**

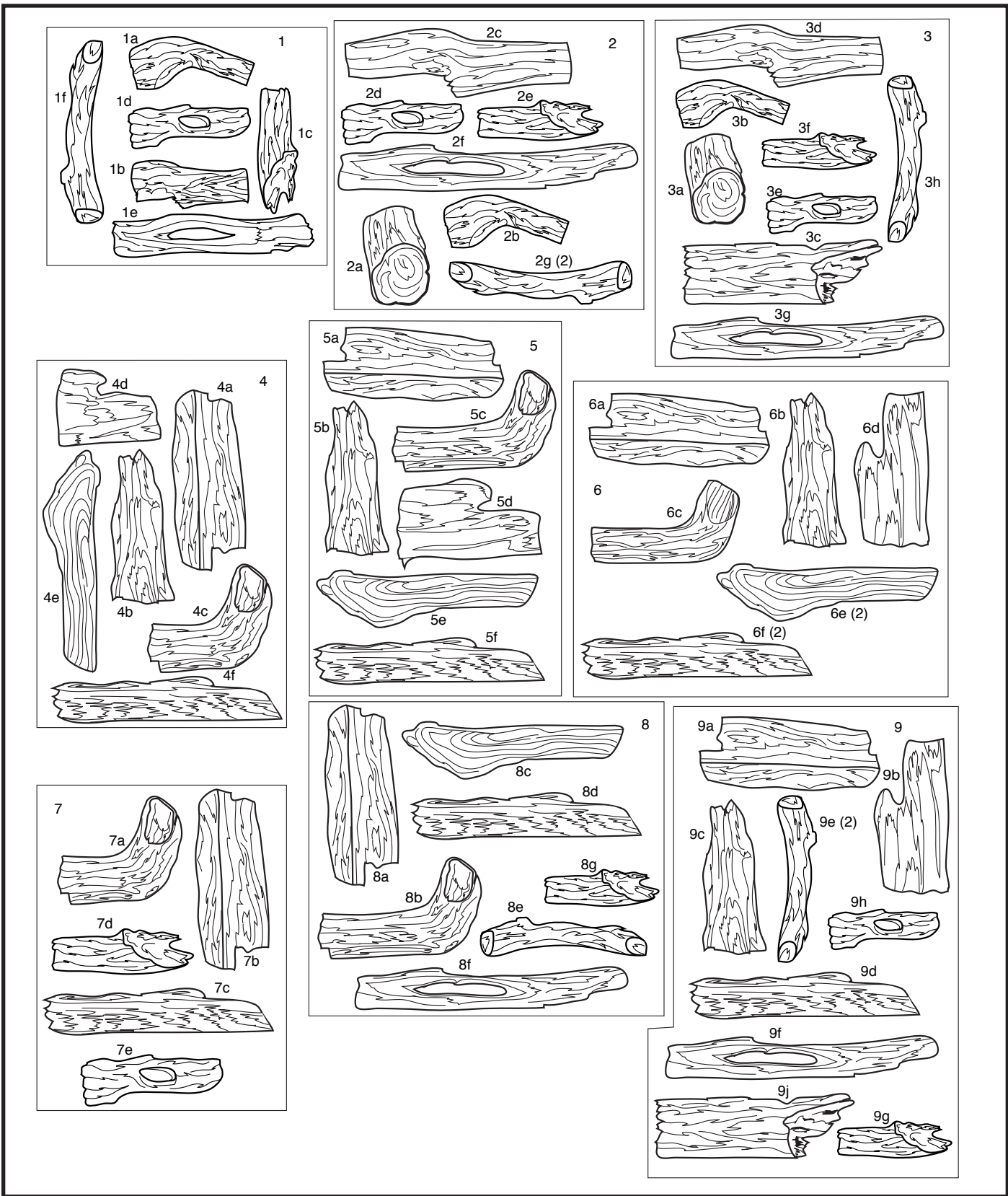
Incorrect gas supply pressure: Make sure your gas line meets the specifications outlined on Page 4.

SA18/24/30SHK Series Vented Gas Logs - Remote Hearth Kit (Continued)

Ref.	Description	18"	24"	30"
13.	Gas Supply Fitting	3304145	3304145	3304145
14.	Flexible Gas Connector	3304176	3304176	3304176
15.	Pilot Bracket	4303232	4303232	4303232
16a.	Natural Gas Pilot Assembly	20000540	20000540	20000540
16b.	Propane Gas Pilot Assembly	20000971	20000971	20000971
17.	Pilot Mounting Screws	3309075	3309075	3309075
18a.	Control Valve - NG	20000965	20000965	20000965
18b.	Gas Valve - Propane	20000966	20000966	20000966
19.	On/Off/RS Switch	7522355	7522355	7522355
20.	Gas Supply Tube	20001240	20001240	20001240
21a.	Brass Elbow/Orifice Holder - NG	3304006	3304006	3304006
21b.	Brass Elbow/Orifice Holder - Propane	3304146	3304146	3304146
22.	Short Stem Orifice for Natural Gas	20001574 (#23)	20000961 (#15)	20000961 (#15)
23.	Brass Air Mixer/Orifice Holder	20000012	20000012	20000012
24.	Long Stem Orifice for Propane Gas	20001281 (#49)	20007346 (#46)	20001279 (#41)

Log Set Replacement Parts

Ref.	Description	Log Sets
1.	18" Standard Round Log Set	20007854
1a.	24"/30" Round Right Front	20007833
1b.	18" Round Left Front	20007835
1c.	24"/30" Round Front Cross Log	20007834
1d.	18"/24"/30" Cross Log	20007837
1e.	18" Cross Log	20007836
1f.	Top Log	20008335
2.	24" Standard Round Log Set	20007855
2a.	24"/30" Round Left Front	20007839
2b.	24"/30" Round Right Front	20007838
2c.	24"/30" Back Log	20007841
2d.	18"/24"/30" Cross Log	20007705
2e.	24"/30" Round Front Cross Log	20007704
2f.	24"/30" Cross Log	20007840
2g.	Top Log (2 per set)	20008335
3.	30" Standard Round Log Set	20007856
3a.	24"/30" Round Left Front	20007839
3b.	24"/30" Round Right Front	20007842
3c.	30" Middle Front Log	20007706
3d.	24"/30" Back Log	20007841
3e.	18"/24"/30" Cross Log	20007705
3f.	24"/30" Round Front Cross Log	20007704
3h.	Top Log	20008335
4.	18" Standard Split Log Set	20007857
4a.	18"/24"/30" Back Log	20007820
4b.	18"/24"/30" Cross Log	20007699
4c.	18" Split Right Front	20007823
4d.	18" Split Left Front	20007825
4e.	Top Log #3 (2 per set)	20008337
4f.	Top Log	20008336
5.	24" Standard Split Log Set	20007858
5a.	18"/24"/30" Back Log	20007820
5b.	18"/24"/30" Cross Log	20007699



CFM Corporation reserves the right to make changes in design, materials, specifications, prices and discontinue colors and products at any time, without notice.

SA18/24/30SHK Series Vented Gas Logs - Remote Hearth Kit

SA18/24/30SHK Series Vented Gas Logs - Remote Hearth Kit (Continued)

Ref.	Description	Log Sets
5c.	24" Split right Front	20007828
5d.	24" Split Left Front	20007830
5e.	Top Log #3 (2 per set)	20008337
5f.	Top Log (2 per set)	20008336
6.	30" Standard Split Log Set	20007859
6a.	18"/24"/30" Back Log	20007820
6b.	18"/24"/30" Cross Log	20007699
6c.	30" Split Right Front	20007831
6d.	30" Split Left Front	20007832
6e.	Top Log #3 (2 per set)	20008337
6f.	Top Log (2 per set)	20008336
7.	18" Standard Combination Log Set	20007860
7a.	18" Split Right Front	20007805
7b.	18"/24"/30" Back Log	20007804
7c.	Top Log	20008336
7d.	24"/30" Round Front Cross Log	20007806
7e.	18"/24"/30" Cross Log	20007705
8.	24" Standard Combination Log Set	20007861
8a.	18"/24"/30" Back Log	20007807
8b.	24" Split Right Front	20007808
8c.	Top Log #3	20008337
8d.	Top Log	20008336
8e.	Top Log	20008335
8f.	24"/30" Cross Log	20007810
8g.	24"/30" Round Front Cross Log	20007809
9.	30" Standard Combination Log Set	20007862
9a.	18"/24"/30" Back Log	20007818
9b.	30" Split Left Front	20007816
9c.	18"/24"/30" Cross Log	20007813
9d.	Top Log	20007811
9e.	Top Log (2 per set)	20008335
9f.	24"/30" Cross Log	20007812
9g.	24"/30" Round Front Cross Log	20007814
9h.	18"/24"/30" Cross Log	20007705
9j.	30" Middle Log	20007815

LIMITED 2/20 YEAR WARRANTY

For VERMONT CASTINGS Decorative Gas Appliances

CFM Corporation extends the warranties specified in paragraphs A and B below with respect to its Vermont Castings Decorative Gas Appliances (the "Gas Appliance"), including CFM Corporation supplied accessories and components referred to in those paragraphs, subject to the following conditions and limitations:

(1) These warranties are extended only to the Gas Appliance installed in the continental United States, including Alaska, and Canada; only if and so long as the accordance with the installation and operating instructions furnished therewith; and only if and so long as Gas Appliance is not removed from its original installation.

(2). These warranties are limited to only the component parts manufactured and supplied by CFM Corporation. The use of components manufactured by others with the Gas Appliance (except for a listed Type B venting system as defined in the installation instructions) could create serious safety hazard, may result in the denial of certification by recognized national safety agencies, and could be in violation of local building codes.

(3). The Gas Appliance must be operated at all times in accordance with the operating instruction furnished therewith. The Gas Appliance is designed to burn either natural or propane gas only. Burning conventional fireplace fuels such as wood, coal, or any other solid fuel will cause damage to the Gas Appliance, will produce excessive temperatures and will result in a fire hazard.

(4). These warranties are limited to repair, replacement or furnishing a replacement for sale, as specified in Paragraphs A and B, for a part found to CFM Corporation satisfaction, after examination, to be defective in materials or workmanship under normal conditions, use and service.

(5). All obligations with respect to these warranties may be fully discharged by CFM Corporation refunding the wholesale price of a defective part.

(6) Except as otherwise expressly specified in Paragraphs A and B. NONE OF THESE WARRANTIES COVER, AND CFM CORPORATION SHALL NOT BE RESPONSIBLE FOR, ANY CONSTRUCTION, INSTALLATION, LABOR, TRANSPORTATION OR OTHER COSTS OR EXPENSES ARISING FROM A DEFECTIVE PART, ITS REPAIR OR REPLACEMENT OR OTHERWISE, NOR SHALL CFM CORPORATION IN ANY EVENT BE RESPONSIBLE FOR ANY INDIRECT, INCIDENTAL OR CONSEQUENTIAL DAMAGES. EXCEPT TO THE EXTENT PROVIDED BY LAW, THERE ARE NO IMPLIED WARRANTIES WITH RESPECT TO THE GAS APPLIANCE, ITS COMPONENTS AND ACCESSORIES (INCLUDING IMPLIED WARRANTIES OF MERCHANTABILITY OR FITNESS FOR A PARTICULAR PURPOSE), ALL OF WHICH ARE HEREBY EXPRESSLY INCLUDED. IN NO EVENT SHALL ANY IMPLIED WARRANTY PRESCRIBED BY LAW (NOTWITHSTANDING

THE FOREGOING EXPRESS EXCLUSION) REMAIN IN EFFECT AFTER EXPIRATIONS OF THE WARRANTIES SET FORTH IN PARAGRAPHS A AND B.

A. Gas Appliances, electrical and manual components, glass panels, all sealants or adhesives and optional accessories (exclusive of CFM Corporation supplied decorative logs which are covered by a separate warranty under paragraph B below):

Within two years from the date of manufacture of the gas appliance, CFM Corporation will repair, or replace (at our option) a defective part without charge.

B. Cement or ceramic fiber log components:

Within two years from the date of manufacture of the gas appliance, CFM Corporation will replace a defective part without charge. Within years three through twenty from the date of manufacture of the gas appliance, CFM Corporation will provide a replacement for a defective part to the homeowner, but assumes no liability for incurred labor cost.

The foregoing warranties gives you specific legal rights and you may also have other rights which vary from state to state. Some states do not allow limitations on how long an implied warranty may last, so the limitation specified above on the duration of any implied warranty prescribed by law may not apply to you. Similarly, some states do not permit the exclusion or limitation of incidental or consequential damages, so the above exclusion of such damages may not apply to you.

In order to obtain performance of any of the above warranty obligations, write to CFM Corporation at this address:

CFM Corporation
410 Admiral Blvd
Mississauga, Ontario Canada L5T 2N6
Attention: Manager of Warranty Services

Since local building requirements may vary greatly throughout the country, users of CFM Corporation products should determine in advance whether there are any building code restrictions on the use of a specified product. CFM CORPORATION MAKES NO REPRESENTATION OR WARRANTY REGARDING, AND SHALL NOT BE RESPONSIBLE FOR, ANY BUILDING CODE COMPLIANCE.

The foregoing warranties give you specific legal rights and you may also have other rights which vary from state to state.

CFM Corporation

410 Admiral Blvd. • Mississauga, Ontario, Canada L5T 2N6 • 905-670-7777
www.majesticproducts.com • www.vermontcastings.com