



## Aficio MP 6002 (SP) Aficio MP 7502 (SP) Aficio MP 9002 (SP) Technician Technical Launch Information



follow **RUKTechSupport**



[www.ricohtechnical.co.uk](http://www.ricohtechnical.co.uk)



# Table of Contents

<b>1. INTRODUCTION</b>	<b>6</b>
<b>1.1 GENERAL</b>	<b>6</b>
<b>1.2 INSTALLATION</b>	<b>6</b>
<b>1.3 WARRANTY</b>	<b>6</b>
<b>1.4 CAUTIONS</b>	<b>6</b>
<b>2. CONFIGURATION</b>	<b>7</b>
<b>2.1 COPIER</b>	<b>7</b>
<b>2.2 NRG BRAND PLAQUE</b>	<b>7</b>
<b>2.3 EXTERNAL OPTIONS</b>	<b>8</b>
<b>2.4 INTERNAL OPTIONS</b>	<b>9</b>
<b>2.5 THIRD PARTY OPTIONS</b>	<b>9</b>
<b>2.6 OPTION INTERCHANGEABILITY</b>	<b>10</b>
<b>2.7 OPTION CORRELATION INTERCHANGEABILITY</b>	<b>12</b>
<b>2.8 UPGRADE PATH</b>	<b>13</b>
<b>3. SPECIFICATION</b>	<b>14</b>
<b>3.1 COPIER</b>	<b>14</b>
<b>3.2 OPTIONS</b>	<b>15</b>
3.2.1 ARDF SPECIFICATIONS (STANDARD )	15
3.2.2 LCIT RT4010 (D613)	16
3.2.3 A3 TRAY (TYPE 9001 – D482)	17
3.2.4 TAB SHEET UNIT (TYPE 9002 – B499)	17
3.2.5 FILE FORMAT CONVERTER (TYPE E – D377)	17
3.2.6 JOGGER UNIT (TYPE 9002A – B703)	17
3.2.7 3000 SHEET FINISHER (SR4080 – D610)	18
3.2.8 PUNCH UNIT (TYPE 1075 – B531)	19
3.2.9 9-BIN MAILBOX (CS4000 – D616)	19
3.2.10 2000 SHEET FINISHER (SR4060 – D611)	20
3.2.11 LG/B4 KIT (TYPE TYPE 9002 – B474)	21
3.2.12 PUNCH UNIT FOR SR4060/4070 (TYPE 3260 – B702)	21
3.2.13 JOGGER OPTION (TYPE 3260 – B703)	21
3.2.1 COVER INTERPOSER TRAY (TYPE CI4000 – B614)	21
3.2.2 MULTI-FOLDING UNIT (FD4000 – D615)	22
<b>3.3 3000 SHEET FINISHER (SR4080 – D610)</b>	<b>23</b>
<b>3.4 PRINTER SPECIFICATION</b>	<b>24</b>
<b>3.5 SUPPORTED ENVIRONMENTS</b>	<b>24</b>
<b>3.6 PRINTER DRIVER SPECIFICATIONS</b>	<b>25</b>
<b>3.7 SCANNER SPECIFICATIONS</b>	<b>27</b>
3.7.1 GENERAL SPECIFICATIONS	27
3.7.2 SCAN TO EMAIL	28
3.7.3 SCAN TO FOLDER	29
3.7.4 MAXIMUM ADDRESS NUMBERS PER SENDING	29
<b>3.8 FAX UNIT TYPE 9002</b>	<b>30</b>
3.8.1 GENERAL SPECIFICATIONS	30
<b>3.9 WIRELESS LAN</b>	<b>31</b>
<b>3.10 DOCUMENT SERVER</b>	<b>31</b>

<b>4.</b>	<b><u>PRODUCT USER REMARKS</u></b>	<b>32</b>
4.1	METER READINGS	32
<b>5.</b>	<b><u>ENVIRONMENTAL, HEALTH AND SAFETY</u></b>	<b>33</b>
5.1	GENERAL	33
<b>6.</b>	<b><u>PRODUCT TRAINING</u></b>	<b>34</b>
<b>7.</b>	<b><u>INSTALLATION</u></b>	<b>35</b>
7.1	GENERAL	35
7.2	MINIMUM SPACE REQUIREMENTS	35
7.3	INSTALLATION TIME	37
7.4	METER CHARGING SETTINGS AT INSTALLATION	37
<b>8.</b>	<b><u>SERIAL NUMBER</u></b>	<b>38</b>
8.1	MAINFRAME	38
8.2	3000 SHEET FINISHER (100 SHEET STAPLER)	39
8.3	3000 SHEET FINISHER (50 SHEET STAPLER)	39
8.4	2000 SHEET FINISHER	39
8.5	MULTI-FOLDING UNIT	39
8.6	LCT	39
8.7	9 BIN MAILBOX	39
8.8	COVER INTERPOSER	39
8.9	PUNCH UNIT SR4080	39
8.10	PUNCH UNIT SR4070/4060	40
8.11	JOGGER UNIT SR4080	40
8.12	JOGGER UNIT SR4040/4030	40
8.13	FAX UNIT	40
8.14	MODEL OVERVIEW	40
<b>9.</b>	<b><u>TECHNICAL DOCUMENTATION</u></b>	<b>41</b>
9.1	RICOH TECHNICAL BULLETIN (R.T.B.)	41
9.2	MODIFICATION BULLETIN (M.B.)	41
9.3	PCIL	41
9.4	SERVICE MANUALS / PARTS CATALOGUES	41
9.5	RICOH UK TECHNICAL WEBSITE	41
<b>10.</b>	<b><u>TECHNICAL SUPPORT DEPARTMENT</u></b>	<b>42</b>
10.1	HELPDESK	42
10.2	FAULT ESCALATION PROCEDURE	42
<b>11.</b>	<b><u>WARRANTY</u></b>	<b>43</b>

<b><u>12.</u></b>	<b><u>PERFORMANCE DATA</u></b>	<b><u>44</u></b>
12.1	PRODUCT DESIGN LIFE	44
12.2	RELIABILITY TARGETS	44
12.3	AVERAGE MONTHLY VOLUME	44
12.4	MAXIMUM MONTHLY VOLUME	44
12.5	PM PARTS (MAINFRAME)	45
12.6	SUPPLIES	45
12.7	STAPLES	46
<b><u>13.</u></b>	<b><u>QUICK REFERENCE GUIDE</u></b>	<b><u>47</u></b>

## 1. INTRODUCTION

### 1.1 GENERAL

The Aficio MP6002 (SP) / MP7502 (SP) / MP9002 (SP) replaces the very successful Aficio MP6001/MP7001/MP8001/MP9001.

### 1.2 INSTALLATION

As the installation procedure for this machine is vital to its performance, it is recommended that the Aficio MP6002/6002SP/7502/7502SP/9002/9002SP machines are installed by a technician who has successfully completed the Aficio MP6002/6002SP/7502/7502SP/9002/9002SP training course.

### 1.3 WARRANTY

Please refer to Section 11 for full details on Warranty cover on this product.

### 1.4 CAUTIONS

**Ricoh carries out a continuous program of product development and improvement. Therefore specifications, parts, code numbers and prices are subject to change and should always be verified with current documentation.**

Whilst every effort has been made to ensure the accuracy of information in this package Ricoh cannot accept responsibility for any errors or omissions.

## 2. CONFIGURATION

### 2.1 COPIER

UNIT TYPE	PRODUCT NUMBER	EDP CODE
Aficio MP6002	D131-27	416398
Aficio MP6002SP	D132-67	416399
Aficio MP7502	D133-27	416400
Aficio MP7502SP	D131-67	416401
Aficio MP9002	D132-27	416402
Aficio MP9002SP	D133-67	416403
English Operating Instructions	OI	975042

**NOTE:** Document Feeder is fitted as standard with these products.  
SP Model includes Printer / Scanner option.

### 2.2 NRG BRAND PLAQUE

UNIT TYPE	PRODUCT NUMBER	EDP CODE
MP6002 Brand Plaque	D131-27	416277
MP6002SP Brand Plaque	D132-67	416377
MP7502 Brand Plaque	D133-27	416282
MP7502SP Brand Plaque	D131-67	416378
MP9002 Brand Plaque	D132-27	416287
MP9002SP Brand Plaque	D133-67	416379

## 2.3 EXTERNAL OPTIONS

OPTION	NAME	EDP CODE
Finisher 3000 Sheets (100 sheet stapler)	SR4080	415900
Output Jogger Unit For SR4080	Output Jogger Unit Type 9002B	416231
Finisher 3000 Sheets (50 Sheet Staple)	SR4060	415901
Finisher 2000 Sheets Booklet Finisher	SR4070	415902
Output Jogger Unit For SR4060/4070	Output Jogger Unit Type 9002A	415903
LCIT RT4010	Large Capacity Unit	415905
LG Size Paper Tray	81/2" X 14" Paper Size Tray Type 9002	416232
Cover Interposer	Cover Interposer Tray CI4000	415906
9 Bin Mail Box	Mail Box CS4000	415907
Copy Tray	Copy Tray Type 9002	416229
Multi-Folding Unit	Multi-Folding Unit FD4000	415909
Tab Sheet Holder	Tab Sheet Holder Type 9002	416230
Victoria Punch Unit NA 3/2	Punch Unit Type 1075 NA 3/2	415282
Victoria Punch Unit EU 2/4	Punch Unit Type 1075 EU 2/4	415283
Victoria Punch Unit S4	Punch Unit Type 850 S4	415284
Euphrates Punch Unit NA 3/2	Punch Unit Type 3260 NA 3/2	412209
Euphrates Punch Unit 2/4 EU	Punch Unit Type 3260 2/4 EU	412210
Euphrates Punch Unit SC	Punch Unit Type 3260 SC	412211
A3/DLT Tray	A3/11"X17" Tray Type 9001	415017
Key Card Bracket	Key Card Bracket	411203
Key Counter Bracket	Key Counter Bracket	412537
Accessibility Handle	ADF Handle Type c	416213



## 2.4 INTERNAL OPTIONS

OPTION	NAME	EDP CODE
Optional Counter Interface Unit	Optional Counter Interface Unit Type A	413012
32MB Type BUK	32MB Type buk	924424
Data Over Write Security Unit	Data Over Write Security Unit Type H	416373
Copy Data Security Unit	Copy Data Security Unit Type F	413985
File Format Converter	File Format Converter Type E	414007
Gigabit Ethernet	Gigabit Ethernet	414204
IEEE 1284 Interface Board	IEEE 1284 Interface Board Type A	411699
IEEE 802.11a/g Interface Unit	IEEE 802.11a/g Interface Unit Type J	414009
IEEE 802.11g Interface Unit	IEEE 802.11g Interface Unit	414186
Bluetooth Interface	Bluetooth Interface Type D	415818
Copy Connector	Copy Connector Type 3260	412415
VM Card	VM Card Type U	416164
Fax Unit	Fax Option Type 9002	415918
G3 Unit	G3 Interface Unit Type 9002	415918
Printer/Scanner Unit	Printer/Scanner Unit Type 9002	415920
Postscript3	Postscript3 Unit Type 9002	415924
IPDS	IPDS Unit Type 9002	415927
Fax Connection Unit	Fax Connection Unit Type E	415930
Netware	SD Card For NetWare Printing Type L	416236
Browser Unit	Browser Unit Type J	416234

## 2.5 THIRD PARTY OPTIONS

OPTION	NAME	EDP CODE
Unicode Font Package ( 1 license )	Unicode Font Package For Sap 1 License	413009
Unicode Font Package ( 10 license )	Unicode Font Package For Sap 10 License	413010
Unicode Font Package ( 100 license )	Unicode Font Package For Sap 100 License	413011

## 2.6 OPTION INTERCHANGEABILITY

	ITEM	PRODUCT NAME	REMARKS
Paper Drawers	11"X17" / A3 Tray Unit	Type 9002	New Item
	Tab Sheet Unit	Tab Sheet Holder Type 9002	New Item
LCT	A4/LT LCT	RT4010	New Item
	LG Unit For LCT	8 1/2"X14" Paper Size Tray Type 9002	New Item
Finishing Option	Copy Tray	Copy Tray Type 9002	New Item
	3,000sheet Finisher 50sheet Staple	SR4060	New Item
	2,000sheet Finisher Saddle Stitch Staple	SR4070	New Item
	3,000sheet Finisher 100sheet Staple	SR4080	New Item
	Punch Unit NA3/2 For 50 Staple/Saddle Stitch	Punch Unit Type 3260 NA 3/2	Common To MT- C3.5
	Punch Unit EU2/4 For 50 Staple/Saddle Stitch	Punch Unit Type 3260 EU 2/4	Common To MT- C3.5
	Punch Unit Scandinavian 4 For 50 Staple/Saddle Stitch	Punch Unit Type 3260 SC	Common To MT- C3.5
	Punch Unit NA3/2 For 100 Staple	Punch Unit Type 1075 NA	Common To MT- C3.5
	Punch Unit EU2/4 For 100 Staple	Punch Unit Type 1075 EU	Common To MT- C3.5
	Punch Unit Scandinavian 4 For 100 Staple	Punch Unit Type 1075 SC	Common To MT- C3.5
	Jogger Unit For 50 Staple/Saddle Stitch	Output Jogger Unit Type 9002A	New Item
	Jogger Unit For 100 Staple/Saddle Stitch	Output Jogger Unit Type 9002B	New Item
	9-Bin Mailbox	CS4000	New Item
	Cover Interposer	Cover Interposer Tray Type CI4000	New Item
	Multi-Folding Unit	FD4000	New Item
	Printer Scanner	Printer Scanner Unit	Printer/Scanner Unit Type 9002
Postscript 3		Postscript3 Unit Type 9002	New Item
Interface Option	IEEE1284 Centro	IEEE 1284 Interface Board Type A	Common To MT- C3.5

Security Option	Data Overwrite Unit	DataOverwriteSecurity Unit Type H	
	Unauthorized Copy Guard Unit	Copy Data Security Unit Type F	Common to AP-C2
	HDD Encryption	HDD Encryption Unit	
Connect Copy	Copy Connector	Copy Connector Type3260	(Common to Katana-C2)
Device SDK Option	VM Card	VM Card Type U	New Item
File Format Convecter	File Format Converter	File Format Converter Type H	Common to MT-C4
Browser Unit	Browser Unit	Browser Unit Type J	New Item
FAX	FAX	Fax Option Type 9002	New Item
	G3 Interface Unit	G3 Interface Unit Type 9002	New Item
Others	Optional Counter I/F	Optional Counter I/F Type A	Common to MT-C4
	Key Counter Bracket	Key Counter Bracket Type 1027	Common to MT-C4
	Key Card Bracket	Key Card Bracket Type B	Common to MT-C4
	Copy Connector	Copy Connector Type 3260	Common to V-C2

MTC-C4 = MP6001/7001/8001/9001

Katana C2 = Pro 907/1107/1357EX

AP-C2 = MPC4000/5000

VC2 = MPC6000/7500

## 2.7 OPTION CORRELATION INTERCHANGEABILITY

	1.DTL/A3 Tray-	2.Tab Sheet Holder	3.LCT	4.LCT LG Unit	5.Copy Tray	6.50sheet staple Fin SR4060	7.Saddle Stitch Fin SR4070	8.100sheet Staple Fin SR 4080	9.Punch Units for Fin SR4060/4070	10.Punch Unit for Fin SR4080	11.9-bin Mailbox	12.Cover Interposer	13.Jogger Unit for Fin SR4060/4070	14.Jogger Unit for Fin SR 4080	15.Printer/Scanner Unit	16.PS3	17.IEEE1284 Centro	18.Wireless LAN	19.Bluetooth	20.1000Base T Ethernet	21.USB Host I/F	22.Unauthorised Copy Control Unit	23.DOS Unit	24.VM Card Type U	25.Copy Connector	26.File Form at Converter	27.Fax Option	28.G3 Interface Unit	29.USD2.0/SD Slot Type C	30.PDS Unit	31.Multi-Folding Unit FD4000	
1.DTL/A3 Tray																																
2.Tab Sheet Holder																																
3.LCT																																
4.LCT LG Unit			M																													
5.Copy Tray						X	X	X	X	X	X	X	X	X																		
6.50sheet staple Fin SR4060					X		X	X		X				X																		
7.50 sheets staples with Saddle Stitch Fin SR4070					X	X		X		X				X																		
8.100sheet Staple Fin SR4080					X	X	X		X		X		X																			
9.Punch Units for FinSR4060 & SR4070					X	1	1	X		X				X																		
10.Punch Unit for Fin SR4080					X	X	X	M	X		X		X																			
11.9-bin Mailbox					X	1	1	X		X		X		X																		
12.Cover Interposer					X	1	1	1				X																				
13.Jogger Unit for Fin SR4060/SR4070					X	1	1	X		X				X																		
14.Jogger Unit for Fin SR4080					X	X	X	M	X		X		X																			
15.Printer/Scanner Unit																																
16.PS3																M																
17.IEEE1284 Centro																M																
18.Wireless Lan																M				X	X											
19. Bluetooth																M		X		X												
20.1000B T Ethernet																M		X	X													
21.USB Host																																
22. Unauthorised Copy Control Unit																																
23. DOS Unit																																
24.VM Card Type U																M																
25.Copy Connector																																
26.File Format Converter																																
27. FAX Option																															M	
28.G3 Interface Unit																														M		
29.USD2.0/SD Slot Type C																	M															
30.PDS Unit					X	1	1									M																
31.Multi-Folding Unit FD4000																															X	X

X: Cannot be installed together.

M: Must be installed together.

1: Must select one of these two options & install together.

## **2.8 UPGRADE PATH**

### **MP6002 MP7502 MP9002**

Base models – no printing or scanning capabilities.

Can have Printer / Scanner and all other options added.

### **MP6002SP MP7502SP MP9002SP**

As base models but with printing and scanning capability.

Can have all other options added.

### 3. SPECIFICATION

#### 3.1 COPIER

ITEMS	SPECIFICATION
Configuration	Console
Printing Process	Four laser beams & Electro-photographic printing
Scanning Element	Simultaneous Double Sides Scanner Flatbed with fixed CCD array image-sensing and Sheet through with fixed CIS array image-sensing
Original Type	Book/Sheet/Object
Original Size	A3 – B6 11"x 17" – 5½" x 8½"(ADF)
Copy / print paper size	Trays: A3/DLT– A5/HLT 11"x 17" – 5½" x 8½" Bypass (standard): A3 – A6 SEF (A6 SEF: Bypass) 11"x 17" – 5½" x 8½" Bypass (non-standard): Vertical: 100-297mm /4"-12" Horizontal: 140-432mm/5.5"-17"
Paper weight	Tray(1-3): 52 - 216g/m <sup>2</sup> (14-34lb bond) Bypass(Standard): 52 - 216g/m <sup>2</sup> (14-43lb bond) Duplex: 64-169g/m <sup>2</sup> (17-34lb bond) A4/LCT 52 – 128g/m <sup>3</sup> (14 – 34lb bond)
Reduction	EU: 93,82,75,71,65,50,25%(7R)
Enlargement	EU: 115,122,141,200,400%(5E)
Engine Speed	MP6002: 60ppm MP7502: 75ppm MP9002: 90ppm
Resolution	Marking: 1,200dpi Scanning: 600dpi
Zoom	25-400%
Gradation	Scanning: 256 scales Marking: 2 levels (5 levels at max)
Warm-up time	MP6002 Less than 30 seconds MP7502 Less than 60 seconds MP9002 Less than 300 seconds
1 <sup>st</sup> Copy Speed	MP6002: 3.9 seconds MP7502: 3.2 seconds MP9002: 2.9 seconds
Multiple copy	Up to 999
Standard paper capacity	4,300 sheets 1 <sup>st</sup> Tray: 1,550 x 2 (Tandem) sheets

	2 <sup>nd</sup> Tray: 550 sheets 3 <sup>rd</sup> Tray: 550 sheets Bypass: 100 sheets
Maximum paper capacity	8,300 sheets LCT: 4,000 sheets
Output capacity	500 sheets/A4,LT 250 sheets/A3, 11" x 17"
Memory Capacity	RAM:512MB( Standard ) RAM:1GB (Upgrade) 1 GB (Base) 1.5 GB ( SP) HDD: 250 GB
Rating power spec.	MP6002/MP6002SP/MP7502/MP7502SP EU/Asia: 220-240V, 50/60Hz, 8.5A
Power consumption	MP6002/MP6001SP/MP7502/MP7502SP Max 1.35kw MP9002/MP9002SP Max 1.84kw
Dimensions (W x D x H)	Approx. 690 x 799 x 1,171 (mm)
Weight	Less than 214 kg

## 3.2 OPTIONS

### 3.2.1 ARDF SPECIFICATIONS (STANDARD )

Dimensions (W x D x H)	680 x 560 x 180 mm
Weight	Less than 18Kg (39.6 lb)
Power consumption	Less than 110W
Noise (power level)	Less than 71db
Stack Capacity	150 Sheets (80g/m <sup>2</sup> ) 250 Sheets (69g/m <sup>2</sup> )
Original size	Simplex – B6-A3 (SEF) Duplex – B5 – A3
Original Weight	Simplex – 40 -128g/m <sup>2</sup> Duplex – 52 – 128g/m <sup>2</sup>
Auto Original Size Detection	A3 – 16K
Original set Position	Left-Rear Corner / Face-up
Special Original Setting	Batch, Mixed Size
Special original setting	Batch and mixed sizes
Original feed speed	FC: 55opm BK: 80opm

### 3.2.2 LCIT RT4010 (D613)

Paper capacity	4,000 sheets 2500 sheets (*3)
Paper Sizes	A4 LEF, B5 LEF, 8 <b>Limitations</b> The following types of paper cannot be Multi-folded Translucent paper OHP transparencies Labels Tab stock Thick paper Paper of low stiffness  Multi-fold and punch cannot be used at the same time Multi-folding unit and cover interposer can be installed together but paper inserted from the cover interposer cannot be folded. Depending on the folding direction, rotated copy and z-fold cannot be used together. " x 11" LEF <sup>*1</sup>
Paper Weight	52 ~ 128 g/m <sup>2</sup> (14 ~ 34 lb)
Pick-up and Feed	FRR (Feed and Reverse Roller)
Power Consumption	Less than 50 W (Max.)
Power Supply	DC24 V, 5V (powered by the main unit)
Rated Voltage of Output Connector	Max. DC 24 V
Dimensions (W x D x H)	314 x 458 x 659 mm 462 x 458 x 659 mm ( with LG unit )
Weight	20.0 kg (44 lb )

(\*1),(\*2) (\*3) with LG/B4 option, (\*4) capacity calculated with 80 g/m<sup>2</sup> / 20lb bond paper.



### 3.2.3 A3 TRAY (TYPE 9001 – D482)

A3 tray is fitted to the Tandem LCT in the first tray of the main frame and can feed A3 paper. The first tandem tray can normally feed A4 size paper only. Therefore it is useful for users that require a lot of A3 usage.

Dimensions (W x D x H)	495 x 530 x 175 mm
Weight	10 kg
Paper size	A3 SEF, B4 SEF,
Paper capacity	1000 sheets

### 3.2.4 TAB SHEET UNIT (TYPE 9002 – B499)

Dimensions (W x D x H)	66 x 280 x12 mm
Weight	50g

### 3.2.5 FILE FORMAT CONVERTER (TYPE E – D377)

When retrieving Document Server data that has been stored using copy or printer applications, a File Format Converter is required. By attaching this option, the Ricoh unique format is converted to a common file format (PDF / TIFF /JPEG).

### 3.2.6 JOGGER UNIT (TYPE 9002A – B703)

The Jogger Unit is installed above the shift tray of the 3000 Sheet Finisher D611/D612.

Paper Size	A3-SEF,B4-SEF,11"x17"SEF A4 LEF, B5 LEF, 8" x 11" LEF
Paper Weight	52 g/m <sup>2</sup> ~ 216 g/m <sup>2</sup> (14 ~ 58 lb)
Weight	Less than 1.7 kg
Dimensions (W x D x H)	125 x 450 x 100 mm
Power Supply	DC 24 V, DC 5V (From Finisher)
Power Consumption	24 W

### 3.2.7 3000 SHEET FINISHER (SR4080 – D610)

UPPER TRAY			
Paper Capacity (80 g/m <sup>2</sup> )	500 sheets (A4, 8½" x 11" and smaller)		
	250 sheets (B4, 8½" x 14" and larger)		
Paper Size	A3 to A6 SEF, 11" x 17" to 5½" x 8½", 12" x 18"		
Paper Weight	52 to 216 g/m <sup>2</sup>		
Upper Tray Full Detection	Provided		
SHIFT TRAY			
Paper Capacity (80 g/m <sup>2</sup> )	3000 sheets (A4 LEF, B5 LEF, 8½" x 11" LEF)		
	1500 sheets (A3, A4 SEF, B4 and B5 SEF, 11" x 17", 8½" x 14", 8½" x 11" SEF, 12" x 18")		
	500 sheets (A5 LEF, 5½" x 8½" LEF)		
	100 sheets (A5 SEF, 5½" x 8½" SEF)		
Paper Size	A3 to A5, 11" x 17" to 5½" x 8½", 12" x 18" (including tab paper)		
Paper Weight	52 to 216 g/m <sup>2</sup>		
Shift Tray Full Detection	Provided		
STAPLER			
Stapling Stack Size	A4, B5, 8½" x 11" (Max. 100 Sheets) A3, B4, 11" x 17", 8½" x 14" (Max. 50 sheets)		
Stapling Paper Size	A3 to B5 11" x 17" to 8½" x 11"		
Stapling Paper Weight	64 to 80 g/m <sup>2</sup>		
Staple Position	4 Modes		
	1 Staple: Front, Rear, Rear-Oblique		
	2 Stapes: 2 locations		
Staple Capacity	5000 staples/cartridge		
Staple Supply	Cartridge or Staple Replacement		
Stapled Stack Size	Sheets	Sets	Sizes
	10 ~ 100	200 ~ 30	A4 SEF, B5 SEF, 8½" x 11" SEF
	2 ~ 9	150	A4 LEF, B5 LEF, 8½" x 11" LEF
	10 ~ 50	150 ~ 30	A3, B4, 11" x 17", 8½" x 14"
2 ~ 9	150		
Trim Waste Staple Capacity	30,000 or more		
Waste Staple Hopper Full Detection	Provided		
Power Consumption	Less than 100 W		
Power Source	DC 24 V (From Mainframe)		
Size (W x D x H)	800 x 730 x 980 mm		
Weight	Less than 65 kg		

### 3.2.8 PUNCH UNIT (TYPE 1075 – B531)

Punch Specifications			
Punching Allowed	All modes		
Allowed Paper Sizes	Holes	Feed	Paper Size
	2 holes	SEF	A3 ~ A5, 11" x 17" ~ 51/2" x 81/2"
		LEF	A4 ~ A5, 81/2" x 11", 51/2" x 81/2"
	4 holes	SEF	A3, B4, 81/2" x 11"
LEF		A4, B5, 81/2" x 11"	
Allowed Paper Weight	Holes	Weight	
	2 holes	52 ~ 163 g/m <sup>2</sup>	
	4 holes	(14 ~ 43 lb.)	
Rated Voltage of Output Connector	Max. DC 24 V		
Dimensions (W x D x H)	700 x 620 x 960 mm		
Weight	Approx. 65 kg		
Power Consumption	72 W (3 A/24 V)		
Power Supply	DC 24 V		
Punch Hole Positions	2/4-hole		
Punch Paper Size			
4-Hole	A3 SEF, 11" x 17" SEF A4 LEF, 81/2" x 11" LEF		
Paper Weight			
4-Hole	52 g/m <sup>2</sup> ~ 128 g/m <sup>2</sup>		
Punch Waste Hopper Capacity			
4-Hole	15K		
Operation Modes	All (Shift, Proof, Staple)		

### 3.2.9 9-BIN MAILBOX (CS4000 – D616)

Bin Capacity	100 sheets per bin (80 g/m <sup>2</sup> )
Allowed Paper Sizes	A3,A5 11" x 17" ~ 51/2" x 81/2"
Allowed Paper Thickness	52 ~ 128 g/m <sup>2</sup>
Power Consumption	Less than 48W (average)
Power Supply	DC 24 V, 5 V
Dimensions (W x D x H)	540 x 600 x 660 mm
Weight	15 kg

Note) CS4000 can not be fitted to the 100 sheet Staple Finisher SR4050 (It is only for 50 staple/Saddle stitch finisher)

**3.2.10 2000 SHEET FINISHER (SR4060 – D611)**

Dimensions W x D x H		657 x 613 x 960 mm
Weight		Less than 63kg Less than 65kg with punch unit
Power consumption		96W or less
Noise		71dB or less
Configuration		Console type attached base unit
Power source		From base unit
Proof Tray	Stack Capacity*	(1) not including Multi-folding paper 250 sheets A4, 8½ x 11 or smaller 50 sheets B4, 8½ x 14 or larger. (2) Multi-folding paper only 30 sheets B4, 8½ x 14 Or larger 20 sheets A4, 8½ x 11 or smaller
	Paper size	(1) Not including Multi-folding paper A5 – A3 SEF, A6 SEF, A6 LEF 5½ x 8½ - 11 x 17 SEF, 12 x 18 SEF (2) Multi-folding paper only A3 SEF – A4 SEF, 5½x 8½ - 11 x 17 SEF, 12 x 18 SEF
	Paper Weight	(1) Not including Multi-folding paper 52 g/m <sup>2</sup> – 163 g/m <sup>2</sup> (2) Multi-folding paper only 64 g/m <sup>2</sup> – 80 g/m <sup>2</sup>
Shift Tray	Stack Capacity	(1) not including Multi-folding paper 2000 sheets A4, 8½ LEF x 11 LEF 1000 sheets A3SEF, A4 SEF, B4 SEF, B5 11 x 17 SEF, 8½ x 14 SEF 500 sheets A5 LEF 100 sheets A5 SEF, B6 SEF, A6 SEF, 5½ x 8½ SEF (2) Multi-folding paper only 30 sheets B4, 8½ x 14 Or larger 20 sheets A4, 8½ x 11 or smaller
	Paper size	(1) Not including Multi-folding paper A5 – A3 SEF, A6 SEF, A6 LEF 5½ x 8½ - 11 x 17 SEF, 12 x 18 SEF (2) Multi-folding paper only A3 SEF – A4 SEF, 5½x 8½ - 11 x 17 SEF, 12 x 18 SEF
	Paper Weight	(1) Not including Multi-folding paper 52 g/m <sup>2</sup> – 256 g/m <sup>2</sup> (2) Multi-folding paper only 64 g/m <sup>2</sup> – 80 g/m <sup>2</sup>

**Remarks**

\* The capacity is calculated using 80g/m<sup>2</sup> / 20lb bond paper.

It is not possible to select “Tab sheet” and “saddle stitch” at the same time.

**3.2.11 LG/B4 KIT (TYPE TYPE 9002 – B474)**

Paper Size	B4, 8½" x 14", A4 SEF, 8½" x 11" SEF
Paper Weight	52 ~ 128 g/m <sup>2</sup>
Tray Capacity	1,000 sheets (80 g/m <sup>2</sup> )

**3.2.12 PUNCH UNIT FOR SR4060/4070 (TYPE 3260 – B702)**

Variety of punch	2 – 4 holes switch-able		
Punch waste	2 holes 14000 sheets		
replenishment	4 holes 7000 sheets		
Paper Weight	52 g/m <sup>2</sup> – 163 g/m <sup>2</sup>		
Paper size	2 Holes.	SEF	A5 – A3
		LEF	A5 – A4
	4 Holes	SEF	A3 – B4
		LEF	A4 – B5

**3.2.13 JOGGER OPTION (TYPE 3260 – B703)**

The jogger option is attached to the 50 sheet staple and saddle stitch finisher in order to jog outputs and make them tidy to be stored in the tray.

**Note**

This option is NOT available on the 100 sheet staple finisher.

**3.2.1 COVER INTERPOSER TRAY (TYPE CI4000 – B614)**

Noise	Less than 65db
Paper Sizes	A3 ~ A5, 11" x 17" ~ 5½" x 8½"
Paper Weight	64 ~ 216 g/m <sup>2</sup>
Capacity	200 sheets (80 g/m <sup>2</sup> )
Power Supply (from main machine)	24 V ±10%, 5 V ±5%
Power Consumption	Less than 43 W
Dimensions (W x D x H)	500 x 600 x 600 mm
Weight	12 kg

### 3.2.2 MULTI-FOLDING UNIT (FD4000 – D615)

Multi-folding unit FD4000 is a new option. This can be attached with both 100 staple finisher and 50 staple/saddle stitch finisher.

Item		Specification
Folding type	Single sheet	Z-fold, half fold/print inside, half fold/print outside, letter fold-in/print inside, letter fold-in/print outside, letter fold-out, double parallel/print inside, double parallel/print outside, gate fold/print inside, gate fold/print outside
	Multiple sheets	Same as single sheet mode. up to 3 sheets
Paper size		<Single sheet mode> z folding: a4-a3, 8.5" ×11" -12" ×18" half folding: b5-a3, 8.5" ×11" -13" ×19.2" letter folding: b5-a3, 8.5" ×11" -12" ×18" double parallel/gate folding: b5-a3, 8.5" ×11" -12" ×18" <multiple sheet mode> half folding: b5-a3, 8.5" ×11" -13" ×19.2" letter folding: b5-b4, 8.5"x11" double parallel/gate folding: b5-a3, 8.5" ×11" -12" ×18"
Paper weight		<Single sheet mode> 64-103g/m2 <multiple sheet mode> 64-80g/m2
Power supply		NA: 120V, 60HZ EU: 220-240V, 50/60HZ
Power consumption		Less than 270W
Dimension (W X D X H)		466mm × 980mm × 730mm
Weight		92Kg (230 lb )

Note) Multi-folding unit does not support custom paper size.

\*Multi-Folding unit does not support PCL-5e driver.

### 3.3 3000 SHEET FINISHER (Sr4080 – D610)

This finisher provides corner stapling only.

Dimension (W x D x H)		800 x 730 x 980 mm	
Weight		Less than 65 kg	
Power Consumption		Less than 100 W	
Noise		Less than 78 db	
Configuration		Console type attached mainframe	
Power Source		From mainframe (24 Volts )	
Output jogger		Standard	
Proof Tray	Stack Capacity*	500 sheets A4, 8½"x11 or smaller 250 sheets B4, 8½"x14 or larger	
	Paper Size	A6 SEF- A3 SEF Max 330x458mm 5 ½" x 8½" – 11" x 17", Max up to 13" x 18"	
	Paper Weight	Without Z-folding: 52 g/m <sup>2</sup> - 216 g/m <sup>2</sup> 14 lb - 58lb Bond / 90 With Z-folding: 64g/m <sup>2</sup> -80g/m <sup>2</sup>	
Shift Tray	Stack Capacity*	3,000 sheets	A4 LEF, 8½" x11" LEF "
		1,500 sheets	A3 SEF, A4 SEF, B4 SEF, B5 SEF, 11"x17" SEF, 8½" x14" SEF, 8½" x 11" SEF
		1000 sheets	13" x 18"
		500 sheets	A5 LEF, 5½" x 8 ½* LEF
		100 sheets	A5 SEF, 5 ½* x 8½" SEF
	Paper Size	A5 - A3 SEF, A6 SEF, B6 SEF, 5½" x 8½"- 11"x17" SEF, 12" x 18" SEF	
Paper Weight	52 g/m <sup>2</sup> -256 g/m <sup>2</sup> 14 lb Bond- 68 lb Bond / 140 lb Index / 90 lb Cover		
Staples			
Paper Size		B5-A3 8 1/2"x11"-11"x17", 12"x18"	
Paper Weight		64 g/m <sup>2</sup> -90 g/m <sup>2</sup> 17 lb Bond-28 lb Bond	
Staple Position		Top, Bottom, 2 Staple, Top-slant	
Stapling Capacity	Same Paper Size	50 sheets	A4, ½" x11" or smaller
		30 sheets	B4, ½" x14" or larger
	Mixed Paper Size	30 sheets	A4 LEF + A3 SEF, B5 LEF + B4 SEF, 8½" x11" LEF + 11" x17" SEF
Staple Replenishment		Cartridge exchange / 5000 prints per cartridge	
Stapled Stack Capacity (Same sizes)	Paper size	Pages/Set	Sets
	A4 LEF, 8½"x11" LEF	20-50 pages	150-60 sets
		2-19 pages	150 sets
	A4 SEF, B5, 8 /12"x11" SEF	15-50 pages	100-30 sets
		2-14 pages	100 sets
Others	15-30 pages	100-33 sets	
	2-14 pages	100 sets	
Stapled Stack Capacity (Mixed sizes)	A4 LEF & A3 SEF, B5 LEF & B4 SEF, 8½"x11" LEF & 11" x17" SEF	2-30 pages	50 sets

### 3.4 PRINTER SPECIFICATION

Controller			
CPU		ULV Dothan : Celeron-M 1.0GHz	
RAM		Basic:1GB, SP:1.5GB	
Hard Disk Drive		250 GB	
PDL	Standard	PCL5e, PCL6(XL)	
	Option	Adobe PostScript3, XPS, Universal Driver	
Continuous Print Speed	A4 / LT LEF (Plain paper)	60ppm / 70 ppm / 90ppm (MT-C5a / MT-C5c / MT-C5e)	
Print Resolution	Max.	1200 x 1200 (dpi)	
Fonts	Standard	45 fonts + International fonts: 13 Intellifonts	
	Option	136 Roman fonts IPDS(108 Roman fonts)	
Connectivity	Host Interface	Standard	Ethernet (RJ-45: 100BASE-USB TX/10BASE-T) 2.0
		Option	IEEE1284/ECP, Wireless LAN (IEEE802.11a/b/g), Bluetooth, Gigabit Ethernet(1000Base-T)
	Network Protocol		TCP/IP (IP v4, IP v6), IPX/SPX*
	MIB support	Standard MIB	MIB-II(RFC1213), Host Resource (RFC1514), Printer Mib (RFC1759), Printer Port Monitor MIB
		Private MIB	Ricoh Original
	Network/Operating Systems		Windows: XP/Vista/Server2003/Server2008/Server2008R2/7, Netware: 6.5 or later* Unix: Sun Solaris, HP-UX, SCO OpenServer, Red Hat Linux, IBM AIX Mac: OS X 10.2 or later, SAP R/3, NDPS Gateway, IBM iSeries/AS/400-using OS/400 Host Print Transform

### 3.5 SUPPORTED ENVIRONMENTS

For latest support information, please refer to:

[www.ricoh-support.com/enduser/downloads](http://www.ricoh-support.com/enduser/downloads)



### 3.6 PRINTER DRIVER SPECIFICATIONS

RPCS Features	PCL5e	PCL6	PostScript3		XPS
			Windows	Mac OS X	
			XP/Vista/7	v.10.2 or later	
Send to job Binding	N	N	N	N	N
Send to Document Server	Y	Y	Y	Y	Y
Sample Print	Y	Y	Y	Y	Y
Locked Print	Y	Y	Y	Y	Y
Hold Print	Y	Y	Y	Y	Y
Scheduled Print	N	N	Y	Y*2	N
Stored Print	Y	Y	Y	Y	Y
Stored Print(Shared)	Y	Y	N	N	N
Store and Print	Y	Y	Y	Y	Y
Store and Print(Shared)	Y	Y	N	N	N
Reduce/Enlarge Zoom/Scaling	Y*3	Y	Y	Y	Y
Reduce/Enlarge Centering	N	Y*3	N	N	N
Fit to Paper Size	Y	Y	Y	Y	N
Unauthorized Copy Control	N	Y	Y	Y	N
Layout(N-up, Page per sheet)	Y	Y	Y	Y	Y
Poster	N	N	N	N	N
Duplex	Y	Y	Y	Y	Y
Booklet1	N	N	N	N	N
Booklet2(Magazine)	Y	Y	Y	Y	Y
Non-Reduction Booklet	Y	N	N	N	N
Layout + Booklet	N	Y	Y	Y	N
Watermark	Y	Y	Y	Y	N
Overlay	N	N	N	N	N
Header/Footer	N	N	N	N	N
Adjust Image Position	N	N	N	N	N
Binding Margins	N	N	N	N	N
Collate	Y	Y	Y	Y	Y
Punch	Y	Y	Y	Y	Y
Staple	Y	Y	Y	Y	Y
Cover Sheet(Front Cover)	Y	Y	N	N	N
Front and Back Cover	Y	Y	N	N	N
Slip Sheet	Y	Y	N	N	Y
Banner Page Print	Y	Y	Y	Y	N
Chaptering	Y	Y	N	N	N
Rotate by 180 degrees	Y	Y	Y	Y	Y
Reverse Order Print	N	Y	Y	Y*5	Y
Do not print Blank Pages	Y*4	N	N	N	N
Dithering	N	N	Y	Y	N
Toner Saving	Y	Y	Y	Y	Y
Black Over Print	N	N	N	N	N
CLP Color Simulation	N	N	N	N	N
Print Priority Setting :Quality	N	Y	N	N	N

Print Priority Setting :Speed	N	Y	N	N	N
Print Priority Setting :High Speed	N	Y	N	N	N
User ID	Y	Y	Y	Y	Y
User Code	Y	Y	Y	Y	Y
User Authentication	Y	Y	N	N	N
Encryption/Encoding	Y	Y	N	N	N
Mirror image Print	N	N	Y	N	N
Negative Image Print	N	N	Y	N	N
Edge to Edge Print	Y	Y	Y	Y	N
Limitation Setting	Y	N	N	N	N
Classification Code	Y	Y	N	N	N

Y: supported

N: not supported

\*1: This function is not supported for PCL5e driver.

\*2: This function is available on Mac OS 10.5 or later.

\*3: "Centering" feature cannot be selected from PCL driver. However PCL has this feature as the original function.

When printing with Reduce/Enlarge(Zoom) feature of PCL driver, the output will be automatically centered by the PCL's original centering function.

\*4: This feature cannot be set from printer driver but is set "On" at "PCL setting" of MFP.

\*5: This function is available on Mac OS 10.3 or later.

### 3.7 SCANNER SPECIFICATIONS

#### 3.7.1 GENERAL SPECIFICATIONS

Resolution	100 / 200 / 300 / 400 / 600 dpi (Default =200dpi) 100 – 1200 dpi (Twain: B/W)
Scan Speed	Colour : 55 ipm (Simplex) / 90 ipm (Duplex) Black and White: 80 ipm (Simplex) / 130 ipm (Duplex) *A4,200 dpi
Max. Scan area	297mm x 432mm
sRGB Support	No
Network Interface:	Ethernet 10 Base-T/100BaseTX, Giga Ethernet ,Wireless LAN(802.11b)
Protocol	Network: TCP/IP Sending E-mail: SMTP, POP3 Scan to Folder: SMB, FTP, NCP
File Format	TIFF (Multi/Single), JPEG, PDF (Multi/Single)
Scan Type	Default: BW TEXT Support: BW OCR, BW Text/Photo, BW Photo, BW Grayscale FC Photo, FC TextStandard:ACS
Image Density	Auto Density Selection Manual: 7 levels
SADF / Batch Mode	Yes
Mixed Size Mode	Yes

### 3.7.2 SCAN TO EMAIL

Requirement:	SMTP gateway and TCP/IP	
Authorization	SMTP POP before SMTP	
Resolution:	100dpi, 200dpi (default), 300dpi, 400dpi, 600dpi	
Max e-mail address# in hdd:	2,000 Addresses	
Register group address in hdd:	Max. 500 addresses minimum 100 addresses in one group address	
Maintain e-mail address in hdd:	Direct input on operation panel, web image monitor, smart net monitor	
Input of destination e-mail address via soft key:	Possible, max. 100 destinations per job	
Search e-mail address in HDD:	By name, e-mail address, folder pass, ip-fax	
LDAP search:	Yes	
Max. address numbers per send:	Max. 500 addresses per send *1	
Address numbers per send:	Address from HDD address book *1	Max. 500
	Address directly input via soft key *1 *2	Max. 100
	Address looked up via LDAP *1 *2	Max. 100
Attention:	To CC, BCC	
Subject:	Manual input	Max. 128 characters via soft key
	Pre-register by user	24 Subjects. Max. 20 characters per a subject
BODY MESSAGE:	Manual input	Max. 80 characters via soft key
	Pre-register by user	5 body messages. 80 characters x 5 lines per a body message title name of the body message: max. 20 characters per a name
	Preset	Message: "this e-mail included attached file sent from xxxx(machine model name)."
E-mail size (with restriction):	128 - 102,400kb, default = 2,048kb	
E-mail size (w/o restriction):	725MB	
File type:	Single page tiff/jpeg, single page pdf, multi page tiff, multi page pdf, high compression pdf	
Program user setting:	Yes (up to 10 programs)	
Divide and send e-mail:	Yes (by page or size) / no, default = yes(by size) *3	
Resend:	Yes / no, default = yes	

\*1: Address from hdd address book + address input via soft key + address looked up via LDAP = Max.500.

\*2: Address directly input via soft key + address looked up via LDAP = max. 100.

\*3: If the sent file size exceeded the maximum e-mail size, it would be divided to multiple sending. in addition, the sent files might not be accepted by the receiving side due to the limitation in the receiving capacity at the receiver SMTP server or e-mail software setting.

### 3.7.3 SCAN TO FOLDER

Protocol Support:	SMB (Server Message Block), FTP (File Transfer Protocol)
Security:	Client folder log-in (log-in name and password) Encryption of log-in name and password during transmission
Resolution:	100dpi, 200dpi (Default), 300dpi, 400dpi, 600dpi
Register client folder address in HDD:	Max. 2,000 folders
Maintain client folder address in HDD:	Direct input on operation panel, WebImageMonitor, SmartNetMonitor
Destination client folder address input via soft key:	Yes SMB: Network path -> User account -> Password FTP: Server -> Network path -> User account -> Password NCP: Network path -> User account -> Password -> Bindery or NDS
Search client folder:	SMB: Browsing directly to the designated folders FTP: By client folder name NCP: Browsing directly to the designated folders
Max. client folder numbers per send:	Max. 50 client folders / PCs per send
Destination Combination:	Please refer to 4.6.4.
Group address:	Max. 100 destinations (To Folder: 50, To E-mail: 100) (*1) e.g. 100 destinations 50 folders included >>>OK 100 destinations 51 folders included>>>Failure
Input Subject:	No
Scan File Size:	No limitation (Depends on PC HDD and memory.)
File Size when combined Scan to Folder & Scan to E-mail:	128 – 102,400kB, Default = 2,048KB (With restriction) 725MB (Without restriction) (Scan to E-mail file size applied).
File type:	Single Page TIFF/JPEG, Single Page PDF, Multi Page TIFF, Multi Page PDF, High-compression PDF
Program User Setting:	Yes (up to 10 programs)
Dividing file in Scan to E-mail:	Yes (By page or size) / No, Default = Yes(By size) (When Scan to PC combine with Scan to E-mail)
Resend:	Yes / No, Default = Yes

(\*1)User can send to max.100 destinations in the same group. But the number of folders has to be less than 50, since Max folder destinations are 50 .If there are more than 50 folder destinations registered in the group address, a message pops up.

### 3.7.4 MAXIMUM ADDRESS NUMBERS PER SENDING

	Input via	Condition 1: Max.address can select or input	Condition 2: Max. address allow in single operation	Condition 3: Combination of addresses: Max.
Scan to E-mail	Address book	500	500	550
	Manual input	100		
Scan to Folder	Address book	50	50	
	Manual input	50		

### 3.8 FAX UNIT TYPE 9002

#### 3.8.1 GENERAL SPECIFICATIONS

Circuit:	PSTN, PBX	
Compatibility:	ITU-T (CCITT) G3, Additional G3 (option),	
Resolution:	8 x 3.85 line/mm, 200 x 100dpi (std.), 8 x 7.7 line/mm, 200 x 200dpi (std.), 8 x 15.4 line/mm, 16 x 15.4 line/mm, 400 x 400dpi (with optional SAF memory)	
Compression method:	MH, MR, MMR, JBIG	
Scanning speed (DF Used):	0.7sec.(A4/LT SEF, Standard/Detail mode), 0.7sec.(A4/LT SEF, Super Fine mode) *ITU-T No1 chart, 200 x 100 dpi(Standard mode), 200dpi(Detail mode), 400dpi(Super Fine mode)	
Number of Pages Scanned Per Minutes: (DF Used)	A4/LT SEF	Standard mode: 46 cpm Detail mode: 46 cpm Super Fine mode: 46 cpm
	A4/LT LEF/image rotation	Standard mode: 48 cpm Detail mode: 44 cpm Super Fine mode: 31 cpm
Modem speed:	33.6K – 2,400bps (G3, Standard with Automatic Shift Down) (33600, 31200, 28800, 26400, 24000, 21600, 19200, 16800, 14400, 12000, 9600)	
Transmission speed:	G3: Approx.2 seconds (200x100 dpi, JBIG, ITUT #1 chart TTI off, memory transmission) G3: Approx.3 seconds (200x100dpi, MMR, ITUT #1 chart, TTI off, memory transmission)	
Page Memory Size:	Standard	8MB
	With Optional Memory	16MB
SAF Memory Size:	Standard	4MB (Approx.320 pages)
	With Optional Memory	28MB (Approx. 2,240 pages)
	Option: 32MB SD-RAM (24MB SAF Memory + 8MB Page Memory)	
Memory backup:	One hour	
Smoothing:	Standard	
TTI/RTI:	Standard	
CSI:	Standard	
Quick dial/ Speed dial:	Standard: 2,000 numbers	
Group dial:	Standard: 100 groups (500 numbers per 1 group)	
Program:	Standard: 100 numbers	

### 3.9 WIRELESS LAN

Speed	54MBPS
Protocol	TCP/IP, IPX/SPX, AppleTalk
Security	WEP / WPA / WPA 2
Frequency	5000MHz(a), 2400 MHz (g)
Operating System	XP/Vista/Server2003/2008, Mac OS

### 3.10 DOCUMENT SERVER

Items	Capability
HDD Capacity	250 GB
HDD capacity for Document	37.32 GB
Maximum stored documents	3,000 documents
Maximum pages per documents	2,000 page
Maximum pages of all stored documents	10,000 sheets

## **4. PRODUCT USER REMARKS**

### **4.1 METER READINGS**

Meter readings are obtained by pressing the User Tools key, followed by the Counter button on the LCD display.



---

## **5. ENVIRONMENTAL, HEALTH AND SAFETY**

### **5.1 GENERAL**

Ricoh products conform to various UK and European safety standards.  
Please contact the RUK Environmental Department for further information.

---

## **6. PRODUCT TRAINING**

Please speak to your line manager in regards to training opportunities.

---

## 7. INSTALLATION

### 7.1 GENERAL

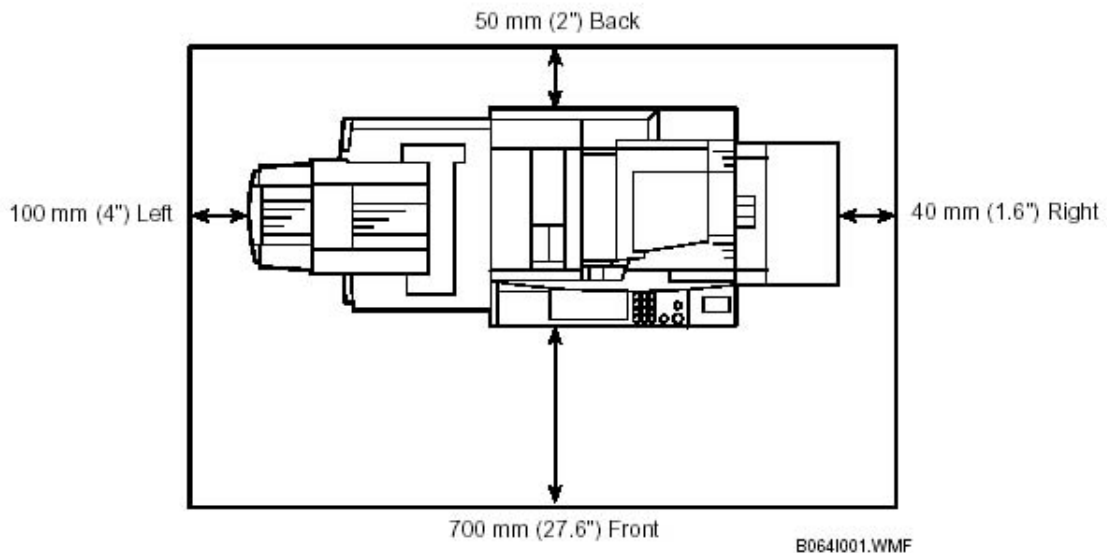
All products and options must be installed by recognised Ricoh trained service technicians in accordance with the procedures in the Product Service Manual (Section 1).

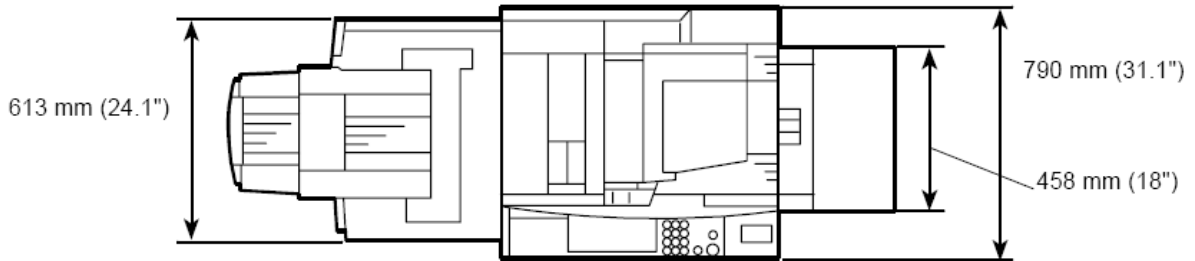
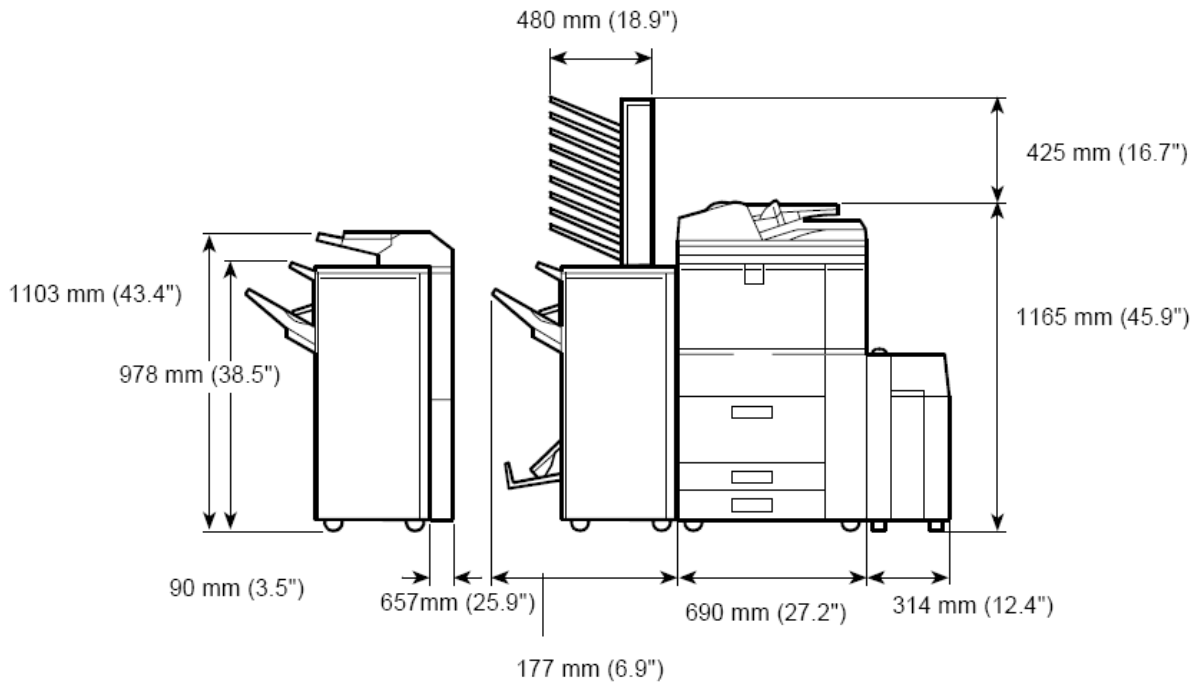
### 7.2 MINIMUM SPACE REQUIREMENTS

#### CAUTION

**The MP 6002/6002SP/7502/7502SP/9002/9002SP  
exceeds the width of a standard (762mm/30") doorway**

Place the copier near the power source, providing clearance as shown below. The same amount of clearance is necessary when optional equipment is installed.





### 7.3 INSTALLATION TIME

The following times are given as a guideline for experienced technicians after unpacking.

Mainframe	30 minutes
Finisher SR4080/SR4070/SR4060	10 minutes
LCIT RT4010	10 minutes
Multi-Folding Unit	15 minutes
Cover Interposer	10 minutes
CS4000 9-bin mailbox	10 minutes
Punch Units	5 minutes
Printer/Scanner	5 minutes
Wireless LAN / IEEE 1394 / MLB / DOS unit	All 5 minutes each
Fax Unit	20 minutes

### 7.4 METER CHARGING SETTINGS AT INSTALLATION

Set Special Service Mode SSP 5-104 (A3 Double Count) in accordance with billing contract.

## 8. SERIAL NUMBER

### 8.1 MAINFRAME

The serial number plate is visible when the bypass tray is lowered and can be identified as follows:

MODEL	PRODUCT CODE	SERIAL NUMBER
Aficio MP6002 (SP)	D131-27	W86 y fm xxxxx
Aficio MP7502 (SP)	D132-27	W87 y fm xxxxx
Aficio MP9002 (SP)	D133-27	W88 y fm xxxxx

#### Production period:

Y = The last digit of the year of production.

F= Factory of production

M = Month of production

XXXXX = Nth machine produced in that month

Factory of Production		
	Factory	Location
A	Atsugi	Japan
B	Gotemba	Japan
C	Tohoku Ricoh	Japan
D	Denso UC	
E	REX	China
F	PPS	
G	RUC	
H	Sindoh	Korea
J	RPL	UK
K	RIF	France
L	REI	US
M	RAI	China
P	SRD	China
Q	RCP	China
S	Ricoh Kougaku	Japan
X	OEM	
Y	Others	Japan
Z	Others	Rest of the world

Production Month	
1	January
2	February
3	March
4	April
5	May
6	June
7	July
8	August
9	September
A	October
B	November
C	December

**8.2 3000 SHEET FINISHER (100 SHEET STAPLER)**

DESTINATION	NAME	PRODUCT CODE	SERIAL #
Generic	SR4080	D610 - 17	TBA

**8.3 3000 SHEET FINISHER (50 SHEET STAPLER)**

DESTINATION	NAME	PRODUCT CODE	SERIAL #
Generic	SR4070	D612 - 17	TBA

**8.4 2000 SHEET FINISHER**

DESTINATION	NAME	PRODUCT CODE	SERIAL #
Generic	SR4060	D611 - 17	TBA

**8.5 MULTI-FOLDING UNIT**

DESTINATION	NAME	PRODUCT CODE	SERIAL #
Generic	FD4000	D615 - 27	TBA

**8.6 LCT**

DESTINATION	NAME	PRODUCT CODE	SERIAL #
Generic	RT4010	D613 - 27	TBA

**8.7 9 BIN MAILBOX**

DESTINATION	NAME	PRODUCT CODE	SERIAL #
Generic	MAIL BOX CS4000	B616 - 02	TBA

**8.8 COVER INTERPOSER**

DESTINATION	NAME	PRODUCT CODE	SERIAL #
Generic	TYPE CI4000	B614 - 17	TBA

**8.9 PUNCH UNIT SR4080**

DESTINATION	NAME	PRODUCT CODE	SERIAL #
Generic	TYPE 1075	B531 - 27	TBA

**8.10 PUNCH UNIT SR4070/4060**

DESTINATION	NAME	PRODUCT CODE	SERIAL #
Generic	TYPE 3260	B702 – 27	K63 Y MM XXXXX

**8.11 JOGGER UNIT SR4080**

DESTINATION	NAME	PRODUCT CODE	SERIAL #
Generic	TYPE 9002B	B513 – 41	M78 Y MM XXXXX

**8.12 JOGGER UNIT SR4040/4030**

DESTINATION	NAME	PRODUCT CODE	SERIAL #
Generic	TYPE 9002A	B703 – 11	K64 Y MM XXXXX

**8.13 FAX UNIT**

DESTINATION	NAME	PRODUCT CODE	SERIAL #
Generic	TYPE 9002	D619 – 02	TBA

Y = The last digit of the year of production.

MM = Month of production.

Range:

Japan production:	01 (Jan) to 12 (Dec)
Sindo Ricoh production:	13 (Jan) to 24 (Dec)
RPL production	25 (Jan) to 36 (Dec)
RIF production:	37 (Jan) to 48 (Dec)
REI production:	49 (Jan) to 60 (Dec)
RAI production	61 (Jan) to 72 (Dec)
Dongan (China):	73 (Jan) to 84 (Dec)
SRF production:	85 (Jan) to 96 (Dec)

XXXXX = The months sequential run.

**8.14 MODEL OVERVIEW**

MODEL CODE	MODEL NAME	SCANNING CAPABILITY
D131	Aficio MP6002	Colour
D131	Aficio MP6002SP	Colour
D132	Aficio MP7502	Colour
D132	Aficio MP7502SP	Colour
D133	Aficio MP9002	Colour
D133	Aficio MP9002SP	Colour



---

## 9. TECHNICAL DOCUMENTATION

### 9.1 RICOH TECHNICAL BULLETIN (R.T.B.)

Issued on a regular basis to provide the latest technical information. Before using the Hotline procedure, refer to the R.T.B.'s that contain the latest information on field activities, modification kits, problem solving and manual changes.

### 9.2 MODIFICATION BULLETIN (M.B.)

Issued when a modification is applied to production machines. Inter-changeability, part number changes and cut in serial numbers are identified.

### 9.3 PCIL

Notifies change information with part numbers.

### 9.4 SERVICE MANUALS / PARTS CATALOGUES

Service Manuals, Parts Catalogues, Operating Instructions, Modification Bulletins and Technical Bulletins are available for download from the technical support website which can be found at:

[www.tessa-support.com](http://www.tessa-support.com)

Operating instructions are supplied as standard with the machines in electronic format.

DOCUMENTATION	EDP CODE	SUPPLIED
Field Service Manual	Available in electronic format only	
Parts Catalogue	Available in electronic format only	
Operation Manuals	975042	With Machine

### 9.5 RICOH UK TECHNICAL WEBSITE

Registered users can download Technical Launch Information, 'How to Guides', Tips, Policies and Procedures, a Forum and UK specific information at [www.ricohtechnical.co.uk](http://www.ricohtechnical.co.uk)

---

## 10. TECHNICAL SUPPORT DEPARTMENT

### 10.1 HELPDESK

Ricoh U.K. will provide technical advice covering acute in-field Product problems from 09.00 to 17.30 each working day.

The technician making the call will be expected to have exhausted all avenues of enquiry within their own organisation and all other resources available to them before placing a Helpdesk call.

As a minimum the caller must be:-

- a) The person dealing with the product, not a third party.
- b) Recognised as trained by Ricoh U.K.
- c) In possession of a full set of Service Manuals.
- d) Familiar with all the relevant Modification Bulletins and Technical Bulletins, having read them and applied them.
- e) Equipped with a full basic tool kit and special tools for the Product.
- f) On the Customer's premises with access to the Product.

Help may be refused if the above criteria are not met.

The 'RUK Helpdesk' can be contacted on 0845 300 7050.

After contacting the RUK Helpdesk, the onus is on the Dealer to inform us of their progress.

### 10.2 FAULT ESCALATION PROCEDURE

The Technical Support Department can provide a specialist on-site service in resolving product problems.

Before requesting assistance the Service Manager must have exhausted **all** other avenues available within their own organisation **including the RUK Helpdesk**.

All requests for assistance must be placed through the RUK helpdesk, having met the helpdesk criteria.

Prior to the Ricoh representative attending the site the product must have been serviced in accordance with the recommended Ricoh Service Procedure, i.e. PM's must be up to date, and a full current SMC data list provided to the support specialist.

The visiting Ricoh representative must be accompanied by the technician responsible for the product who must be formally trained on the product.

---

## 11. WARRANTY

Ricoh UK Ltd. will warrant manufacturer fitted spare parts in excess of £30 for a period of thirteen months from date of invoice.

This policy does not apply to consumable items or any part with a published consumable life. Warranties should be submitted electronically using the warranty claim form which can be downloaded from [www.ricohtechical.co.uk](http://www.ricohtechical.co.uk)

Please refer to the Dealer Warranty Policy 601 effective 1<sup>st</sup> February 2010

## 12. PERFORMANCE DATA

### 12.1 PRODUCT DESIGN LIFE

All models	9000K or 5 years (whichever occurs first)
------------	---

### 12.2 RELIABILITY TARGETS

The following figures represent target averages for an established machine population, using Ricoh supplies and serviced by fully experienced technicians. They are intended for planning purposes only, since the actual performance may vary due to environment, customer requirements, geographical situation and machine population.

A preventative maintenance policy (P.M.) is recommended to minimise machine downtime and prevent unnecessary unscheduled maintenance calls (E.M.)

Average copies between calls (MCBC)	120K
EM Cycle	200K

### 12.3 AVERAGE MONTHLY VOLUME

	MP6002	MP7502	MP9002
Average Monthly Volume	20K	29K	36K

### 12.4 MAXIMUM MONTHLY VOLUME

	MP6002/7502/9002
Maximum Monthly Volume	150K

**12.5 PM PARTS (MAINFRAME)**

<b>PART NO.</b>	<b>ITEM</b>	<b>QTY</b>	<b>YIELD</b>
AE011117	Hot Roller	1	450,000
AE020209	Pressure Roller	1	450,000
AE030054	Hot Roller Bearings	2	450,000
AE030053	Pressure Roller Bearings	2	450,000
AE044060	Hot Roller Strippers	5	450,000
AE042066	Cleaning Roller	1	450,000
D0624226	Cleaning Roller Bearings	2	450,000
A2933899	Transfer Belt	1	600,000
AD041126	Transfer Belt Cleaning Blade	1	600,000
D1313161	Toner Recycling Unit	1	600,000
AD041140	Cleaning Blead	1	300,000
B2472330	Cleaning Brush	1	300,000
B0702364	Charge Corona Wire	1	300,000
A0962060	Charge Corona Grid	1	300,000
A0962063	Cleaning Pad	1	300,000
D1313340	Development Filter	1	300,000
B4772225	ADF Pick-up Roller	1	600,000
A8061295	ADF Feed Belt	1	600,000
A8592241	ADF Separation Roller	1	600,000
B6523121	ADF Transport Belt	1	600,000
AE045067	Cleaning WEB	1	450,000
AE044068	Cleaning WEB PressureRoller	1	450,000
AW100132	Inner Back Fusing Thermistor	1	450,000
AW100131	Thermistor Center	1	450,000
AA012128	Filter	1	300,000

**12.6 SUPPLIES**

885098	Ricoh Toner Type 6210D Black	1	43,000
B0649640	Ricoh Developer Type 24 Black	1	350,000
B2469510	Drum	1	1,200,000

**12.7 STAPLES**

<b>EDP CODE</b>	<b>DESCRIPTON</b>	<b>YIELD</b>	<b>QTY</b>
411240	Staple Cartridge Type L (SR4060)	2000	1
411241	Staple Refill Type L (SR4060)	8000	4
410508	Staple Cartridge Type H (SR4080)	5000	1
410509	Staple Refill Type H (SR4080)	25000	5
410801	Staple Cartridge Type K (SR4060/4070)	5000	1
410802	Staple Refill Type K (SR4060/4070)	15000	3

### 13. QUICK REFERENCE GUIDE

ITEM	CODE	PAGE
Aficio MP6002	416398	7
Aficio MP6002SP	416399	
Aficio MP7502	416400	
Aficio MP7502SP	416401	
Aficio MP9002	416402	
Aficio MP9002SP	416403	
NRG Brand Plaque's	Various	
Product Design Life MP6002/7502/9002	9000K Or 5 years	44
MCBC	120K	
Average Monthly Volume MP6002	20K	
Average Monthly Volume MP7502	29K	
Average Monthly Volume MP9002	36K	
Maximum Monthly Volume (All Models)	150K	
Developer Type 24 (Yield – 350K)	B064 9640	45
Toner Type 6210D (Yield - 43K)	885098	
Field Service Manual	Electronic Format Only	
Parts Catalogue		
Operating Instructions	975042	41
User Codes	500 Standard	