

MAJESTIC **VERMONT** *Castings*



Free-Standing Fireplaces

RFS22

RFS32

RFS42

Installation Instructions & Homeowner's Manual

WARNING! IF THE INFORMATION IN THIS MANUAL IS NOT FOLLOWED EXACTLY, A FIRE OR EXPLOSION MAY RESULT CAUSING PROPERTY DAMAGE, PERSONAL INJURY OR LOSS OF LIFE.

FOR YOUR SAFETY

WHAT TO DO IF YOU SMELL GAS:

- Do not try to light any appliance.
- Do not touch any electric switch
- Do not use any phone in your building.
- Immediately call your gas supplier from your neighbours phone. Follow the gas suppliers instructions.
- If you cannot reach your gas supplier call the fire department.

FOR YOUR SAFETY

**DO NOT STORE
OR USE GASOLINE OR OTHER
FLAMMABLE VAPOURS AND LIQUIDS
IN THE VICINITY OF THIS OR ANY
OTHER APPLIANCE.**

- Installation and service must be performed by a qualified installer, Service agency or your gas supplier.



**The Vermont Castings
Majestic Products Company**

410 Admiral Blvd., Mississauga
Ontario, Canada L5T 2N1

www.majesticproducts.com / www.vermontcastings.com



INSTALLER: DO NOT DISCARD THIS MANUAL - LEAVE FOR HOMEOWNER

10000834
11/01 Rev. 2

TABLE OF CONTENTS

PLEASE READ THE INSTALLATION & OPERATING INSTRUCTIONS BEFORE USING APPLIANCE.

Thank you and congratulations on your purchase of a Majestic fireplace

IMPORTANT: Read all instructions and warnings carefully before starting installation. Failure to follow these instructions may result in a possible fire hazard and will void the warranty.

Installation Instructions	3
Important Curing/Burn Information	3
Locating Your Fireplace	3
Clearance to Combustibles	3
Fireplace Dimensions	4
Gas Specifications	5
Preparation	5
Gas Line Installation	5
Installation of Remote Switch for RN/RP gas valve	6
Fan Kit	6
General Venting Information	7
Common Flue Installation	7
Retrofitting to an Existing Brick Chimney	8
Vent Safety System	8
Proper Vent Performance	8
Combustion Air	8
Operating Instructions	9
General Glass Information	9
Louvre Removal	9
Trim Removal	9
Glass Removal	9
Glass Cleaning	10
Installation of Logs and Burner Lava Rock	10
Maintenance	10
Cleaning Procedure	11
Flame Adjustment & Characteristics	11
Ceramic Refractory	11
Lighting Instructions	12
Troubleshooting Gas Control (SIT 630)	13
Troubleshooting Gas Control (SIT 820)	14
Troubleshooting Gas Control (Honeywell)	15
Replacement Parts List	16
Replacement Parts Pictorial	17
Options	18

INSTALLATION INSTRUCTIONS

This gas fireplace should be installed by a qualified installer in accordance with local building codes and with current CAN / CGA-B149 (. 1 or .2) Installation codes for Gas Burning Fireplaces and Equipment.

FOR U.S.A Installations follow local codes and/or the current National Fuel Gas Code. ANSI Z223.1.

FOR SAFE INSTALLATION AND OPERATION OF YOUR MAJESTIC FIREPLACE PLEASE NOTE THE FOLLOWING:

1. This fireplace gives off high temperatures and should be located out of high traffic areas and away from furniture and draperies.
2. Children and adults should be alerted to the hazards of the high surface temperatures of this fireplace and should stay away to avoid burns or ignition of clothing.
3. Children should be carefully supervised when they are in the same room as your fireplace.
4. Under no circumstances should this fireplace be modified. Parts removed for servicing should be replaced prior to operating this fireplace again.
5. Installation and any repairs to this fireplace should be carried out by a qualified service person. A professional service person should be contacted to inspect this fireplace annually. Make it a practice to have all of your gas fireplaces checked annually. More frequent cleaning may be required due to excess lint and dust from carpeting, bedding material, etc.
6. Control compartments, burners and air passages in this fireplace should be kept clean and free of dust and lint. Make sure that the gas valve and pilot light are turned off before you attempt to clean this fireplace.
7. The venting system(chimney) of this fireplace should be checked at least once a year and if needed your venting system should be cleaned.
8. Keep the area around your fireplace clear of combustible materials, gasoline and other flammable vapour and liquids. This fireplace should not be used as a drying rack for clothing, nor should Christmas stockings or decorations be hung in the area of it.
9. Under no circumstances should any solid fuels (wood, coal, paper or cardboard etc.)be used in this fireplace.
10. The flow of combustion and ventilation air must not be obstructed in any way.
11. When the fireplace is installed directly on carpeting, vinyl tile or any combustible material other than wood, the fireplace must be installed on a metal or wood panel extending the full width and depth of the fireplace.
12. This fireplace requires adequate ventilation and combustion air to operate properly.
13. This fireplace must not be connected to a chimney flue serving a separate solid fuel burning fireplace.

IMPORTANT:

PLEASE REVIEW THE FOLLOWING CAREFULLY

Remove any plastic from trim parts before turning the fireplace ON.

It is normal for fireplaces fabricated of steel to give off some expansion and/or contraction noises during the start up or cool down cycle. Similar noises are found with your furnace heat exchanger or car engine.

It is not unusual for your Majestic gas fireplace to give off some odour the first time it is burned. This is due to the curing of the paint and any undetected oil from the manufacturing process.

Please ensure that your room is well ventilated - open all windows.

It is recommended that you burn your *Majestic* fireplace for a least six (6) hours the first time you use it. If optional fan kit has been installed, place fan in the "OFF" position during this time.

LOCATING YOUR MAJESTIC GAS FIREPLACE

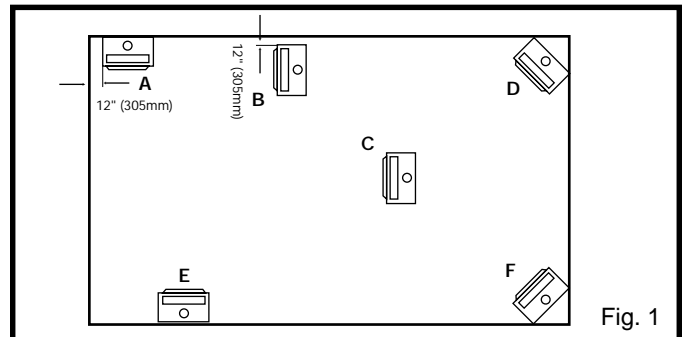


Fig. 1

- A) *Flat on wall corner
- B) *Room divider
- C) Island
- D) Cross corner
- E) Flat on wall

* A & B must maintain a 12" (305mm) clearance between the wall and side glass of fireplace.



A minimum 12 foot vent height is required to effectively vent this fireplace.

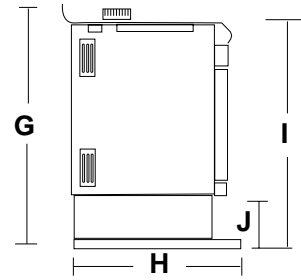
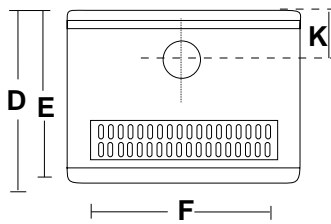
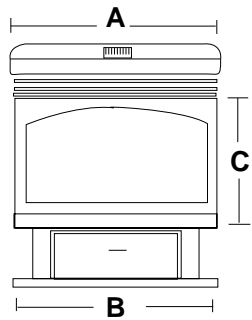
CLEARANCES TO COMBUSTIBLES

Adequate clearances as listed below must be maintained for servicing and proper operation.

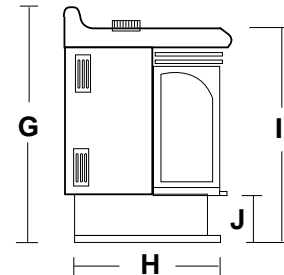
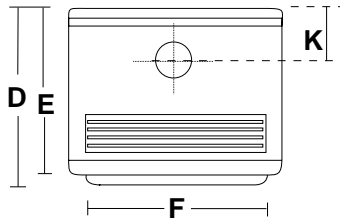
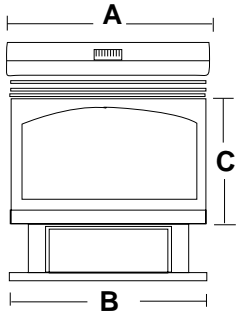
BACK...	1"
SIDES..	12"
COMBUSTIBLE FLOOR.....	0"
TOP.....	36"
CORNER	0" to back edges

Flue Pipe Clearances - 6" Single Wall, 1"B" Vent.

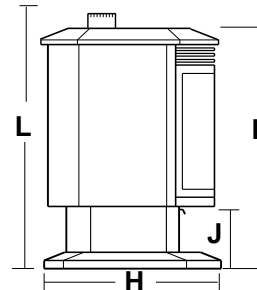
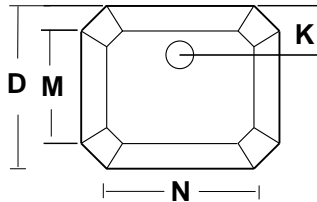
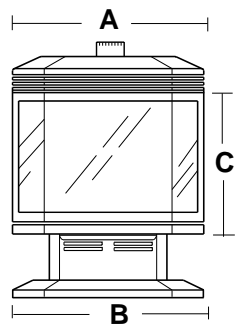
FIREPLACE DIMENSIONS



MODEL RFS22



MODEL RFS32



MODEL RFS42

MODEL RFS22

A	26"	660mm
B	26"	660mm
C	15 1/4"	387mm
D	19 1/4"	488mm
E	18 5/8"	473mm
F	21"	533mm
G	31 1/2"	800mm
H	17 3/4"	451mm
I	29 5/8"	752mm
J	9 5/8"	244mm
K	5 1/4"	133mm
L	–	–
M	–	–
N	–	–

MODEL RFS32

A	25"	635mm
B	24 1/8"	613mm
C	16"	406mm
D	20"	508mm
E	19"	483mm
F	21"	533mm
G	31 3/4"	806mm
H	17 3/4"	451mm
I	29 5/8"	752mm
J	9"	229mm
K	5 1/4"	133mm
L	–	–
M	–	–
N	–	–

MODEL RFS42

A	28 1/4"	717mm
B	28 1/4"	717mm
C	17 7/8"	454mm
D	22 3/4"	578mm
E	–	–
F	–	–
G	–	–
H	22 3/4"	578mm
I	33 5/8"	854mm
J	10 5/8"	270mm
K	5 1/4"	133mm
L	36 3/8"	924mm
M	14 3/16"	360mm
N	17 3/8"	441mm

GAS SPECIFICATIONS

MODEL	FUEL	GAS CONTROL	MAX. INPUT B.T.U.H	MIN. INPUT B.T.U.H.
RFS22RN	Natural Gas	Millivolt Hi/Lo	30,000	21,000
RFS22RP	Propane Gas	Millivolt Hi/Lo	30,000	22,500
RFS22TN	Natural Gas	Thermostatic	30,000	21,000
RFS22TP	Propane Gas	Thermostatic	30,000	22,500
RFS32RN	Natural Gas	Millivolt Hi/Lo	30,000	21,000
RFS32RP	Propane Gas	Millivolt Hi/Lo	30,000	22,500
RFS32TN	Natural Gas	Thermostatic	30,000	21,000
RFS32TP	Propane Gas	Thermostatic	30,000	22,500
RFS42RN	Natural Gas	Millivolt Hi/Lo	40,000	28,000
RFS42RP	Propane Gas	Millivolt Hi/Lo	37,000	27,750
RFS42TN	Natural Gas	Thermostatic	40,000	28,000
RFS42TP	Propane Gas	Thermostatic	37,000	27,750

The installation of your Majestic Fireplace must conform with local codes, or in the absence of local codes, with National Fuel Gas Code, ANSI Z223.1 latest edition, or CAN 1 B1-149.1 and .2 Installation Code. (EXCEPTION: Do not derate this appliance for elevations up to 4,500 ft. (1,370mm). Maintain the manifold pressure at 3.5 inches W.C. for Natural Gas and 10 inches W.C. for LP gas.)

RFS22 / RFS32 / RFS42 CERTIFIED TO

**ANSI.Z21.88a-1998 / CSA 2.33a - M98
Vented Gas Fireplace Heaters**

GAS INLET & MANIFOLD PRESSURES

	NATURAL	LP (Propane)
Input Minimum	4.5" wc	11" wc
Input Maximum	7" wc	13" wc
Manifold Pressure	3.5" wc	10" wc

PREPARATION



The use of wall paper adjacent to this fireplace is not recommended, as the high heat given off by this fireplace may adversely effect the binders in the adhesive used to apply the wallpaper.

Before beginning, remove the glass door from the fireplace (See page 9). Also check to make sure there is no hidden damage to the fireplace. Take a minute and plan out the gas, vent and electrical supply.

GAS LINE INSTALLATION



When purging gas line, the front glass must be removed.

The gas pipeline can be brought in through the rear of the fireplace as well as the bottom. Knockouts are provided on the bottom behind the valve to allow for the gas pipe installation and testing of any gas connection. It is most convenient to bring the gas line in from the rear right side of the valve, as this allows fan installation or removal without disconnecting the gas line.



The gas line connection can be made with properly tinned 3/8" copper tubing, 3/8" rigid pipe or an approved flex connector. Since some municipalities have some additional local codes, it is always best to consult your local authority and the CAN/CGA- B149 (.1 or .2) installation code.

FOR U.S.A Installations consult the current National Fuel Gas Code, ANSI Z223.1

Always check for gas leaks with a mild soap and water solution. **Do not use an open flame for leak testing.**



The gas control is equipped with a captured screw type pressure test point, therefore it is not necessary to provide a 1/8" test point up stream of the control.

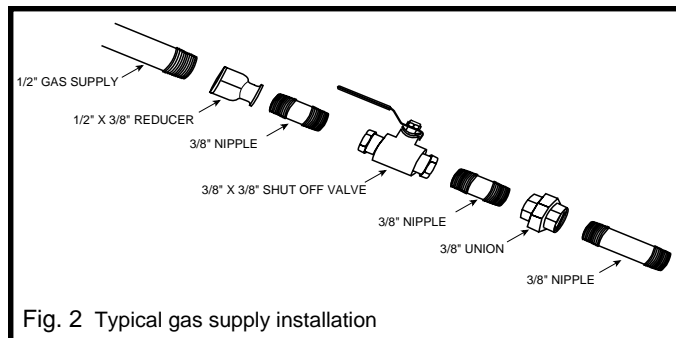


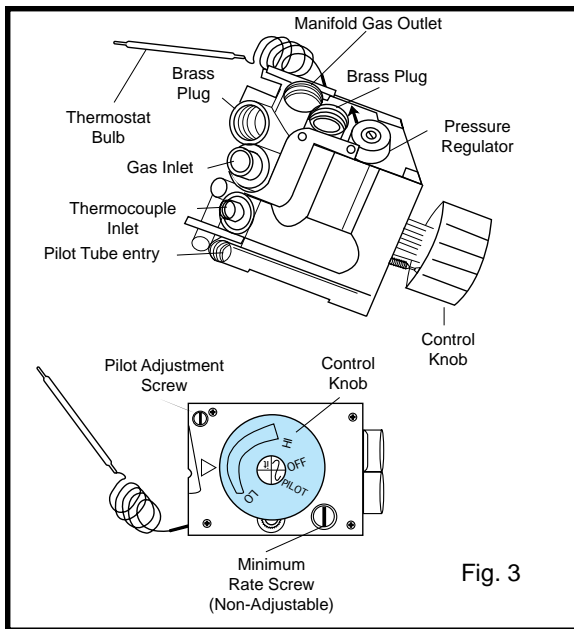
Fig. 2 Typical gas supply installation

When using copper or flex connector use only approved fittings. **Always provide a union when using black iron pipe** so that gas line can be easily disconnected for burner or fan servicing. See Fig. 2. See gas specification for pressure details and ratings.

The fireplace valve must not be subjected to any test pressures exceeding 1/2 psi. Isolate or disconnect this or any other gas appliance control from the gas line when pressure testing.



DO NOT USE THIS FIREPLACE IF ANY PART OF THIS FIREPLACE HAS BEEN UNDER WATER. IMMEDIATELY CALL A QUALIFIED SERVICE TECHNICIAN TO INSPECT THE HEATER AND TO REPLACE ANY PART CONTROL WHICH HAS BEEN UNDER WATER.

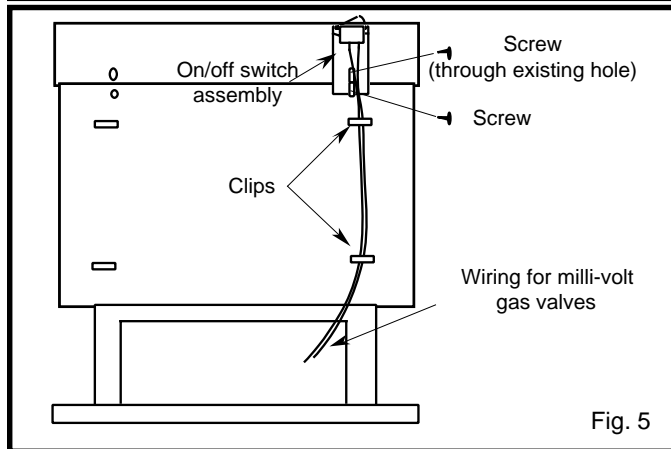
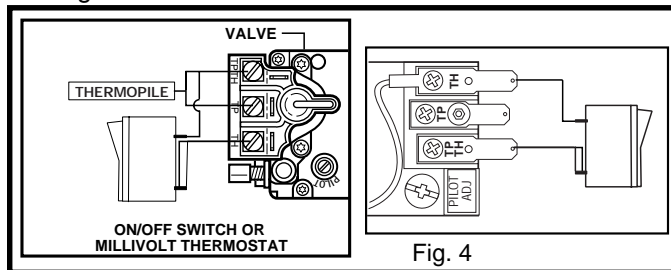


On fireplaces equipped with Eurosit 630 gas valves there are brass plugs in two of the holes. **These plugs are not to be removed.** The gas inlet hole has a plastic cap in it. Remove the plastic cap and connect your gas supply line at this point. (Fig. 3).

INSTALLATION OF REMOTE SWITCH FOR RNR/P GAS VALVE

Install on/off switch assembly on either the rear right or left side of the RFS22/RFS32/RFS42 Gas Fireplace.

1. Remove the screw at the back of the cabinet top either on the left or the right side of the fireplace.
2. Position switch assembly onto the back of the fireplace, then fasten two screws as shown in Fig. 5.
3. Attach wiring under the clips on the rear casing (Fig. 5) and install wiring through the rear opening of the fireplace before connecting to the valve as shown in Fig. 4.



OPTIONAL FAN KIT - FK24

STANDARD WITH RFS42



It will be easier to install the fan before connecting the gas line to the fireplace.

1. Open front access door panel by pulling forward on brass lip.
2. Guide the fan through the opening at the back of the pedestal, with the outlet pointed up and the fan mounting bracket facing the back of the fireplace. The fan mounts over two studs which hold the fan just below the firebox floor. Do not install this fan on the base. Hold the fan in place with the two nuts provided. (Fig. 7)
3. Locate the fan speed control/junction box on screw studs provided on base of the fireplace. Tighten with 3/8" nuts provided.
4. Install thermal sensor element on screw studs located to the right of the gas valve on the burner base.
5. Plug in grounded service cord to a convenient wall receptacle.

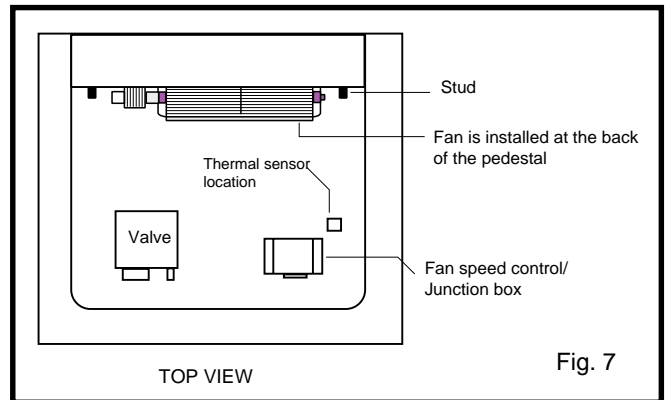
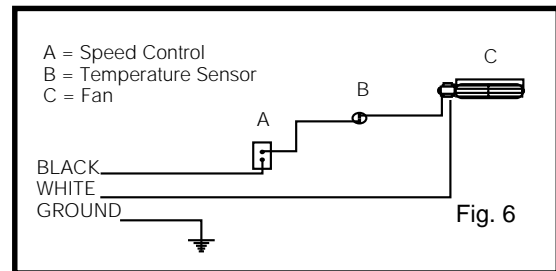
THIS FAN ASSEMBLY COMES COMPLETELY WIRED TO ELIMINATE THE NEED FOR ELECTRICIANS. THIS ELECTRICAL DEVICE, WHEN INSTALLED, MUST BE ELECTRICALLY CONNECTED AND GROUNDED IN ACCORDANCE WITH LOCAL CODES. IN THE ABSENCE OF LOCAL CODES, WITH THE CURRENT CSA C22.1 CANADIAN ELECTRICAL CODE.



FOR U.S.A. INSTALLATION: FOLLOW LOCAL CODES AND THE NATIONAL ELECTRICAL CODE ANSI/NFPA NO.70-1984.



Should this fan require servicing, the power supply must be disconnected. For rewiring of any replacement components see Fig. 6.



VENTING INSTRUCTIONS

CANADIAN INSTALLATIONS:

The venting system must be installed in accordance with the current CAN/CGA-B149 (.1 or .2) installation code, and the authority having jurisdiction.

U.S.A. INSTALLATIONS:

The venting system must be installed in accordance with the current National Fuel Gas Code, ANSI Z223.1.

Minimum clearances to combustible materials is 1 inch (25 mm) for B Vent (Fig. 9, 11) and 6 inches for single wall vent (Fig. 10).

As with any natural drafted appliances, the vent cap must always extend a minimum of 2' above any structure within a 10' horizontal plane.(Fig. 8)

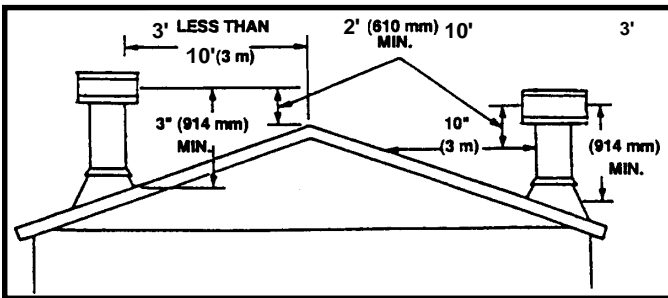


Fig. 8

VENTING OF THE RFS22/RFS32/RFS42 FIREPLACE

Note: Please refer to installation instructions supplied by chimney manufacturer prior to commencing installation.

The RFS22/RFS32/RFS42 may be installed using 4" diameter single wall vent up to an existing masonry chimney.(Fig. 10) This vent should then be connected to a 4" liner running the full height of the chimney, as it is mandatory in most jurisdictions that the chimney be lined.

Another option is 4" "B" vent directly off the fireplace(Fig.9 & 11), going up to the chimney liner or up through the roof if no chimney exists.

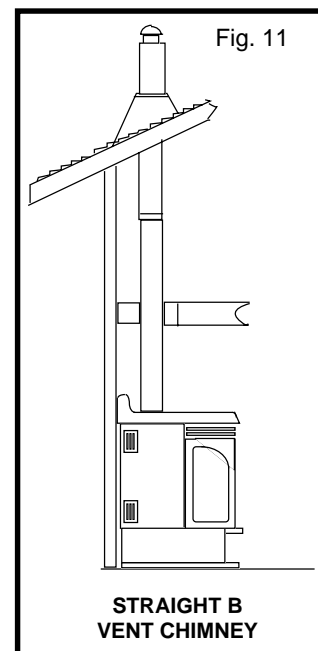
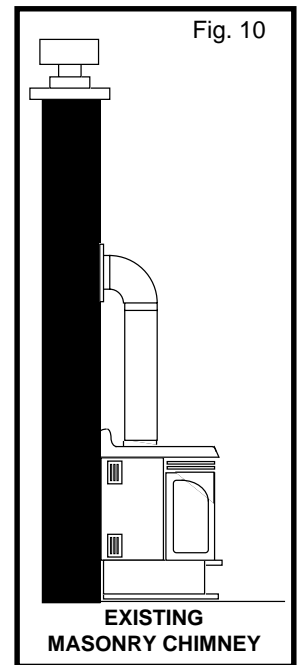
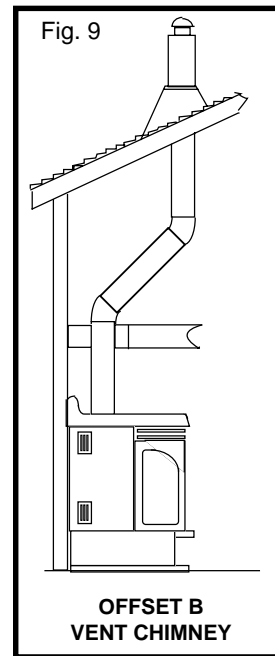


A minimum 12 foot vent height is required to effectively vent this fireplace.

COMMON FLUE INSTALLATIONS

In some areas it is possible to vent more than one gas fireplace into the same flue. You must ensure that the flue being shared has the proper capacity to handle both fireplaces. Check installation codes for venting capacity information.

As always it is best to check with the authority having jurisdiction prior to commencement of the installation.



Retrofitting To An Existing Brick Chimney

The CFM Majestic Products Company strongly recommends installing an approved chimney liner in an existing brick chimney.

This will maximize the potential draft of the chimney and lessen the effects of slow chimney start up.

This is important because many homes (including older renovated ones) have become much tighter with respect to air exchange (a home breathing). An overly tight home will create conditions that will affect proper vent performance.

It may be necessary to install some form of makeup air to the lowest extremities of the home. This will help to ensure the above noted condition will not effect the proper operation of this or any other combustion fireplace within the dwelling.

VENT SAFETY SYSTEM

This fireplace is equipped with a vent safety shut down switch. This switch is factory installed, wired and tested. Check and make sure the switch and wires are in the proper position. The safety switch is heat activated and wired in series with the pilot system.



Operation of this fireplace when not connected to a properly installed and maintained venting system or tampering with the vent safety shutoff system can result in carbon monoxide (CO) poisoning and possibly death.

PROPER VENT PERFORMANCE

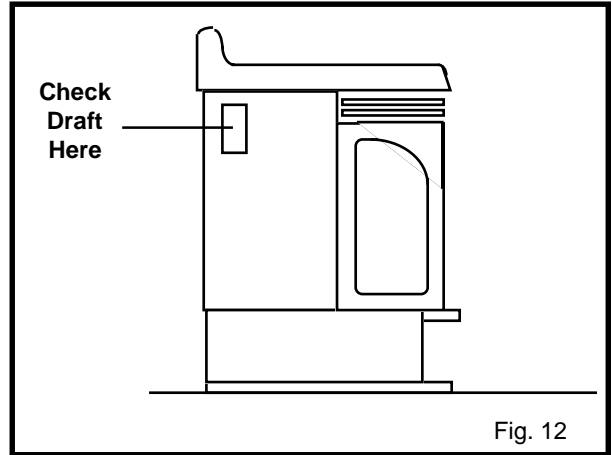


Fig. 12

A spillage test must be performed prior to leaving the fireplace with the customer. Carry this test out in the following manner.

- 1) Close all windows and doors in the room; start all exhaust fans in the house and furnace blower.
- 2) Light the fireplace and place in operation on high fire.
- 3) After several minutes, test with smoke match that there is adequate "pull" at the draft hood opening (located on the sides of the fireplace near back. See Figure 12) If the flue is blocked (match being blown back into room) the Vent Safety Switch will automatically shut down the heater.
- 4) Should the heater turn off, wait approximately 10-15 minutes to allow for the switch to reset. Check draft again. If the smoke is not drawn into the draft hood turn the fireplace off and check the cause of lack of draft, consult your dealer for expert advice.

COMBUSTION AIR

It is very important that an adequate air supply is available when the unit is being operated. Since most homes of today are tightly sealed and insulated, additional make-up air is usually necessary.

This fireplace has been designed to operate by drawing air in from the front and outer perimeters of the fireplace. The air provides combustion air ensuring a clean burning flame, dilution air for proper venting, as well as, the air which the fan circulates over the firebox/heat exchanger system.

Insulating around the fireplace will result in overheating and possible malfunctioning of the circulating fan.

OPERATING INSTRUCTIONS

GENERAL GLASS INFORMATION



Only glass approved for use in The CFM Majestic Products Company products may be used for replacement.

1. The use of substitute glass will void all product warranties.
2. Care must be taken to avoid breakage of the glass.



Under no circumstances should this fireplace be operated without the front glass or with a broken glass. Replacement of the glass (with gasket) as supplied by the manufacturer should be done by a licenced qualified service person.



For the RFS42 both front bay window glass and rear window glass need to be installed for proper performance. Under no circumstance should this fireplace be operated without the rear window glass or with broken glass. Replacement of the rear glass (with gasket) as supplied by the manufacturer should be done by a licensed qualified person.

LOUVRE REMOVAL

RFS22

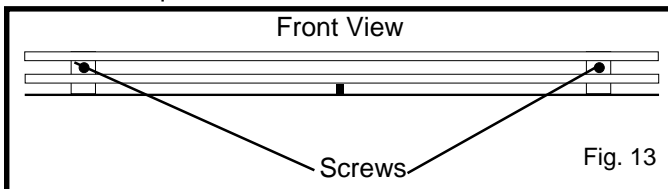
Remove the front louvre assembly by lifting up and outward on the assembly.

RFS32

To remove louvres first remove the two (2) screws (Fig. 13) fastening the louvre assembly to the fireplace. Lift the louvre assembly straight out sliding the back guides out of the fireplace body. (To reinstall, reverse).

RFS42

The top louvre is assembled with the Bay Window Frame and is not required to be removed.



TRIM REMOVAL

RFS22

1. Remove frame window brass trim by lifting up and out.
2. Remove decorative cover, which was at the bottom of the frame window trim by loosening two (2) nuts on the underside of the cover.

RFS32

1. Remove the two (2) outer 3/8" nuts holding the frame window brass trim in place. (Fig. 14)
2. Remove the frame window brass trim by moving it straight forward.

RFS42

Remove trim Bay Window, top and bottom by pulling them from the unit. They are held with magnets.

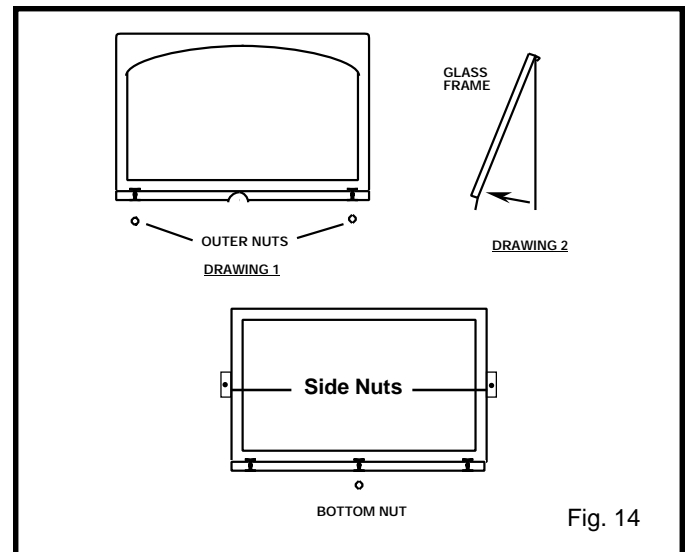
GLASS REMOVAL

RFS22

1. Remove frame window brass trim (See Trim Removal section)
2. Remove remaining bottom 3/8" nut at the bottom of the frame window.
3. Remove frame window by pulling it forward and up.

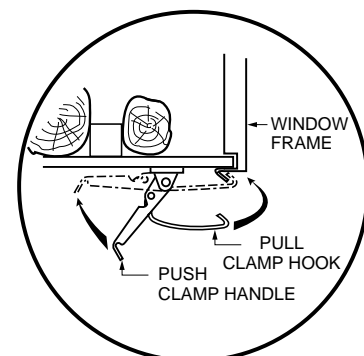
RFS32

1. Remove frame window brass trim (See Trim Removal section)
2. Remove remaining bottom 3/8" nut fat the bottom of the frame window.
3. Remove 3/8" nut from each side of the frame window (Fig. 14).
4. Remove frame window by pulling it forward and up.



RFS42

1. Remove both Bay Window brass trims (See Trim Removal section).
2. Open two clamps underneath the Bay Window that holds the Bay Window Frame and Glass Frame. (Fig. 15)
3. Lift and unhook the Bay Window assembly at the top.
4. Lift and unhook the Glass Frame at the top.



GLASS CLEANING

It will be necessary to clean the glass periodically. During start-up condensation, which is normal, forms on the inside of the glass and causes lint, dust and other airborne particles to cling to the glass surface. Also initial paint curing may deposit a slight film on the glass. It is therefore recommended that the glass be cleaned two or three times with a non-ammonia household cleaner and warm water (we recommend gas fireplace glass cleaner). After that the glass should be cleaned two or three times during each heating season depending on the circumstances present.



Clean glass after first two weeks of operation.

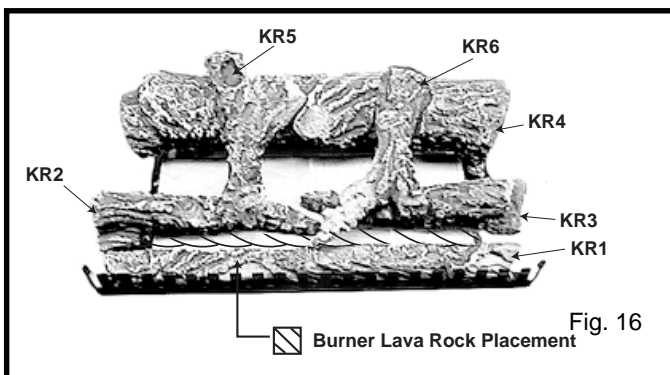
INSTALLATION OF LOGS & BURNER LAVA ROCK

RFS22 & RFS32

1. Remove front glass. (See "Glass Removal" section)
2. Remove logs from packaging.
3. Place rear log (KR4) on rear bracket (ensure log is seated properly, leveled and centered to the unit), so it will not move from side to side and it is firmly positioned on the bracket.
4. Slip front ember log (KR1) down in the front deflector.
5. Place front left log (KR2) on top burner, left side. Use log's bottom holes to locate it into the left bracket log locator studs.
6. Place front right log (KR3) on top of burner, right side. Use log's bottom holes to locate it into the right bracket log locator studs.
7. Place small lava rocks and ember material on top of burner. (See Fig. 16 for proper location).
8. Place top left log (KR5) onto locator notches. Ensure log is secure.
9. Place top right log (KR6) onto locator notches. Ensure log is secure.

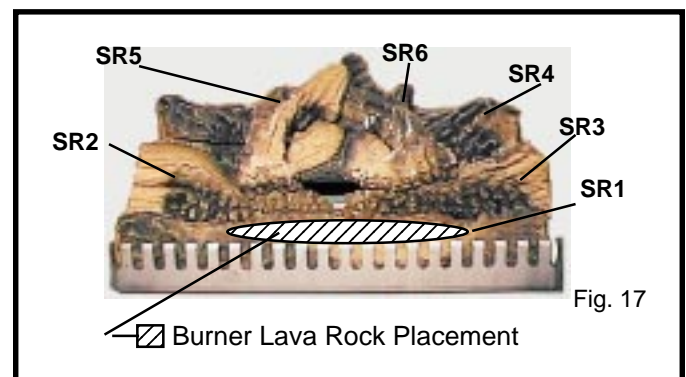


Top logs must be placed properly into notches



RFS42

1. Remove Bay Window assembly and Glass Frame (see "Glass Frame Removal" section).
2. Remove logs from packaging.
3. Place rear log (SR4) on rear bracket . Ensure log is seated properly, leveled and centered to the unit), so it will not move from side to side and it is firmly positioned on the bracket.
4. Slip front ember log (SR1) down in the front deflector.
5. Place front left log (SR2) on on top of burner, left side. Use log's bottom holes to locate it into the left bracket log locator studs.
6. Place front right log (SR3) on on top of burner, right side. Use log's bottom holes to locate it into the right bracket log locator studs.
7. Place burner lava rock on top of burner. (See Fig. 17 for proper location).
8. Place top right log (SR6) onto locator notches. Ensure log is secure.
9. Place top left log (SR5) onto locator notches. Ensure log is secure.



MAINTENANCE

1. It is important to keep the burner and the burner compartment clean. This must be done periodically, at least once per season. (See Cleaning Procedure).
2. Clean the brass trim using a soft clean cloth, slightly dampened with lemon oil and buff with a soft clean cloth. Do NOT use brass polish or household cleaners as these products will damage the brass trim. Lemon oil can be obtained at supermarkets or hardware stores.
3. The optional FK24 Fan requires periodic cleaning. Check the fan and the area around the fan assembly and wipe or vacuum at least once per month during the operating season.
4. Contact your local representative to arrange an annual service program.

CLEANING PROCEDURE

1. Turn off pilot light at gas valve.
2. Remove front glass.
3. Remove logs.

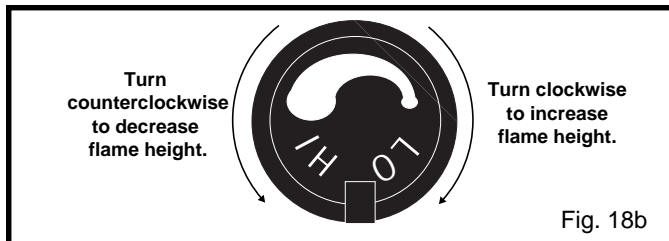
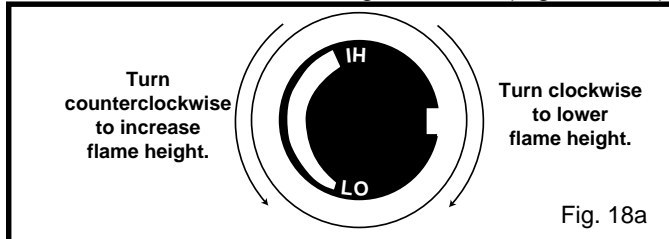


CAUTION: LOGS MAY BE HOT

4. Vacuum burner compartment especially around orifice/primary air openings.
5. Reinstall logs.
6. Check pilot and main burner operation.
7. Reinstall front glass.
8. Recheck pilot and main burner operation.
9. Check visually the flame pattern and compare with Fig. 21 or 22.

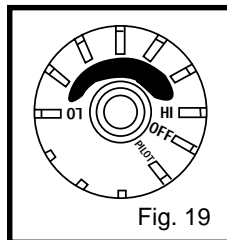
FLAME ADJUSTMENT (RN/RP MODELS)

For units equipped with Hi/Lo valves, flame adjustment is accomplished by rotating the Hi/Lo adjustment knob located near the centre of the gas control. (Fig. 18a & b)



TEMPERATURE ADJUSTMENT (TN/TP MODELS)

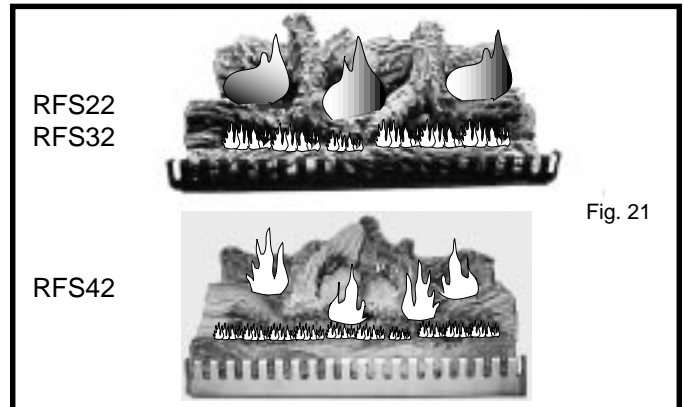
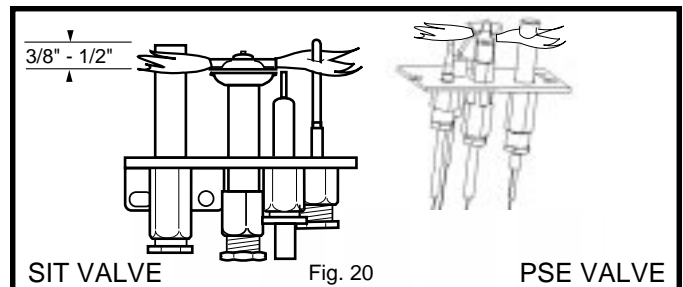
The Hi/Lo reference on the control knob (Fig. 19) is to indicate a higher or lower temperature setting. This setting controls the heat by reducing then shutting off the flame as the desired temperature is reached. Position the control knob where it effectively maintains a comfortable room temperature.



FLAME CHARACTERISTICS



It is important to periodically perform a visual check of the pilot and the burner flames. Compare them to the pictorials illustrated below (Fig. 20, 21). If any of the flames appear abnormal call a service person.



CERAMIC REFRACTORY

RFS42 ONLY

1. Remove bay window assembly and glass frame (see "Glass frame Removal" section).
2. Remove logs from the unit.



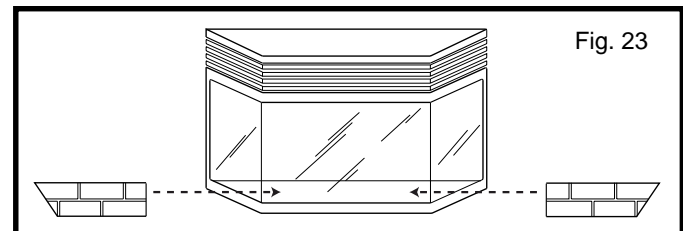
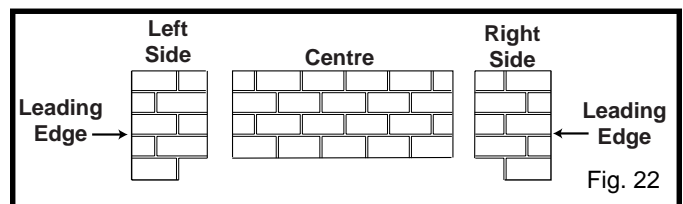
LOGS MAY BE HOT

3. Remove refractory from packaging.



Refractory are fragile and must be handled with care. Where at all possible, two hands should be used when handling.

4. Take centre refractory piece and place it at the very back of the firebox.
5. Take left or right side refractory and slide it along the side of the firebox and on top of the bottom support channel. Be sure to slide it back to hold the centre piece in place and the leading edge faces forward.
6. Fasten top tab support against the refractory to hold it in place.
7. Repeat steps 5 and 6 for remaining side refractory.
8. Insert refractory pieces into the Bay Window as per Fig. 23.



LIGHTING AND OPERATING INSTRUCTIONS

FOR YOUR SAFETY READ BEFORE LIGHTING

WARNING: If you do not follow these instructions exactly, a fire or explosion may result causing property damage, personal injury or loss of life.

- A. This fireplace has a pilot which must be lit manually. When lighting the pilot follow these instructions exactly.
- B. BEFORE LIGHTING smell all around the fireplace area for gas. Be sure to smell next to the floor because some gas is heavier than air and will settle on the floor.

WHAT TO DO IF YOU SMELL GAS

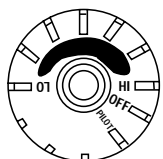
- Do not try to light any fireplace.
- Do not touch any electric switch
- Do not use any phone in your building
- Immediately call your gas supplier from a neighbor's phone. Follow the gas supplier's instructions.
- If you cannot reach your gas supplier, call the Fire Department

- C. Use only your hand to push in or turn the gas control knob. Never use tools. If the knob will not push in or turn by hand, do not try to repair it, call a qualified service technician. Applying force or any attempted repair may result in a fire or explosion.

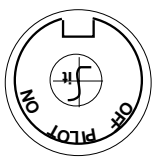
- D. Do not use this fireplace if any part has been under water. Immediately call a qualified service technician to inspect the fireplace and to replace any part of the control system and any gas control which has been under water.

LIGHTING INSTRUCTIONS

1. STOP! Read the safety information above on this label
2. Turn off all electrical power to the fireplace.
3. For MN/MP/TN/TP appliances ONLY, go on to Step 4. For RN/RP appliances turn the On/Off switch to off position or set thermostat to lowest level.
4. Open control access panel.
5. Push in gas control knob slightly and turn clockwise to "OFF". Do not force.



EURO SIT



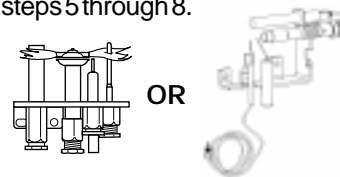
SIT NOVA



HONEYWELL

6. Wait five (5) minutes to clear out any gas. Then smell for gas, including near the floor. If you smell gas, **STOP!** Follow "B" in the safety information above on this label. If you don't smell gas, go to the next step.
7. Remove glass door before lighting pilot. (See Glass Frame Removal in manual).
8. Visibly locate pilot by the main burner.
9. Turn knob on gas control counterclockwise to "PILOT".

10. Push the control knob all the way in and hold. Immediately light the pilot by repeatedly depressing the piezo spark ignitor until a flame appears. Continue to hold the control knob in for about one (1) minute after the pilot is lit. Release knob and it will pop back up. Pilot should remain lit. If it goes out, repeat steps 5 through 8.



- If knob does not pop up when released, stop and immediately call your service technician or gas supplier.
 - If after several tries, the pilot will not stay lit, turn the gas control knob to "OFF" and call your service technician or gas supplier.
11. Replace glass door.
 12. Turn gas control knob to "On" position.
 13. For Rn/RP appliances turn the On/Off switch to "On" position or set thermostat to desired setting.
 14. Turn on all electrical power to the fireplace.

TO TURN OFF GAS TO FIREPLACE

1. Turn the On/Off switch to Off position or set the thermostat to lowest setting.
2. Turn off all electric power to the fireplace if service is to be performed.
3. Open control access panel.

4. Push in gas control knob slightly and turn clockwise to "OFF". Do not force.
5. Close control access panel.

TROUBLE SHOOTING THE GAS CONTROL SYSTEM

SIT 630 GAS VALVE

Note: Before trouble shooting the gas control system, be sure external gas shut off is in the "On" position.

WARNING: BEFORE DOING ANY GAS CONTROL SERVICE WORK, REMOVE GLASS FRONT.

SYMPTOM	POSSIBLE CAUSES	CORRECTIVE ACTION
1. Spark ignitor will not light	A. Defective or misaligned electrode at pilot.	Using a match, light pilot. If pilot lights, turn off pilot and push the red button again. If pilot will not light - check gap at electrode and pilot-should be 1/8" to have a strong spark.
	B. Defective ignitor (Push Button)	Push Piezo Ignitor Button. Check for spark at electrode and pilot. If no spark to pilot, and electrode wire is properly connected, replace ignitor.
2. Pilot will not stay lit after carefully following lighting instructions.	A. Defective pilot generator thermocouple.	1. Check pilot flame. Must impinge on thermocouple. Clean and or adjust pilot for maximum flame impingement on thermocouple.
	B. Defective automatic valve operator.	Turn valve knob to "Pilot". Maintain flow to pilot; millivolt meter should read greater than 10 mV. If the reading is okay and the pilot does not stay on, replace the gas valve. Note: An interrupter block (not supplied) must be used to conduct this test.
3. Pilot burning, no gas to burner, Valve knob "ON".	A. Sensing bulb not in proper location.	Make sure sensing bulb is located in bracket on the lower right hand side of fireplace.
	B. Temperature sensing bulb damaged or tubing to bulb kinked	Carefully examine sensing bulb and capillary tube for damage. If tubing is kinked, replace gas valve.
4. Frequent pilot outage problem.	A. Pilot flame may be too low or blowing (high) causing the pilot safety to drop out.	Clean and/or adjust pilot flame for maximum flame impingement on thermocouple.
	B. Possible blockage of the vent terminal.	Check the vent terminal for blockage.
	C. Loose connections to/from the vent safety switch	Check wires on the vent safety switch at the draft hood relief opening and at the junction block where the thermocouple meets the gas valve.

TROUBLE SHOOTING THE GAS CONTROL SYSTEM

SIT NOVA 820 MILLIVOLT VALVE

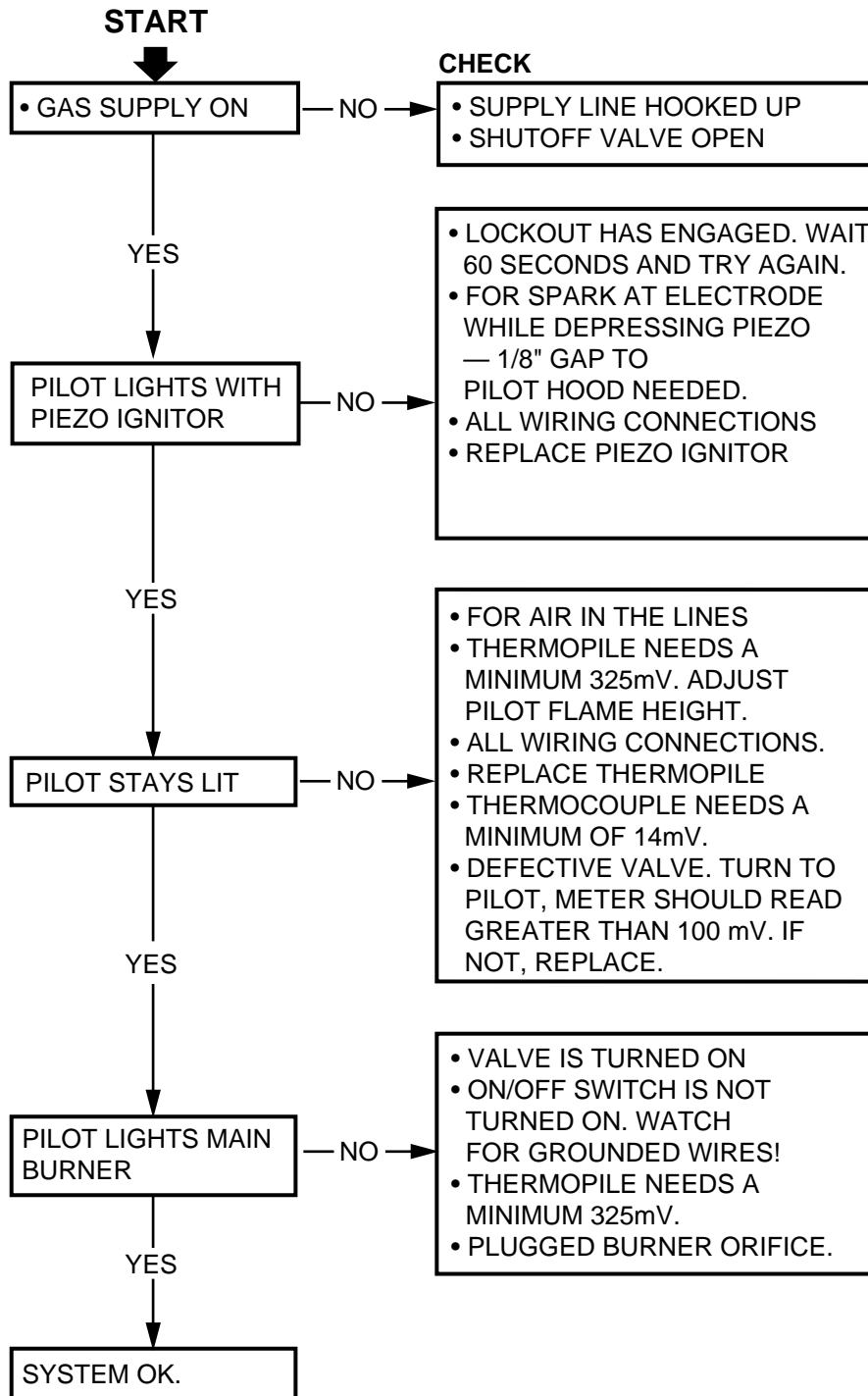
Note: Before trouble shooting the gas control system, be sure external gas shut off is in the "On" position.

WARNING: BEFORE DOING ANY GAS CONTROL SERVICE WORK, REMOVE GLASS FRONT.

SYMPTOM	POSSIBLE CAUSES	CORRECTIVE ACTION
1. Spark ignitor will not light	A. Defective or misaligned electrode at pilot.	Using a match, light pilot. If pilot lights, turn off pilot and push the red button again. If pilot will not light - check gap at electrode and pilot-should be 1/8" to have a strong spark.
	B. Defective ignitor (Push Button)	Push Piezo Ignitor Button. Check for spark at electrode and pilot. If no spark to pilot, and electrode wire is properly connected, replace ignitor.
2. Pilot will not stay lit after carefully following lighting instructions.	A. Defective pilot generator (thermocouple), remote wall switch.	1. Check pilot flame. Must impinge on thermocouple/thermopile. Note: this pilot burner assembly utilizes both a thermocouple and a thermopile. The thermocouple operates the main valve operation (On and Off). Clean and or adjust pilot for maximum flame impingement on thermopile and thermocouple.
	B. Defective automatic valve operator.	Turn valve knob to "Pilot". Maintain flow to pilot; millivolt meter should read greater than 10 mV. If the reading is okay and the pilot does not stay on, replace the gas valve. Note: An interrupter block (not supplied) must be used to conduct this test.
3. Pilot burning, no gas to burner, Valve knob "ON", Wall Switch "ON".	A. Wall switch or wires defective.	Check wall switch and wires for proper connections. Jumper wire across terminals at wall switch, if burner comes on, replace defective wall switch. If okay, jumper wires across wall switch wires at valve, if burner comes on, wires are faulty or connections are bad.
	B. Thermopile may not be generating sufficient millivoltage.	1. Be sure wire connections from thermopile at gas valve terminals are tight and thermopile is fully inserted into pilot bracket. 2. One of the wall switch wires may be grounded. Remove wall switch wires from valve terminals if pilot now stays lit, trace wall switch wiring for ground. May be grounded to fireplace or gas supply. 3. Check thermopile with millivolt meter. Take reading at thermopile terminals of gas valve. Should read 250-300 millivolts (minimum 150) while holding valve knob depressed in pilot position and wall switch "Off". Replace faulty thermopile if reading is below specified minimum.
	C. Plugged burner orifice.	Check burner orifices for debris and remove.
	D. Defective automatic valve operator.	Turn valve knob to "On", place wall switch to "On" millivolt meter should read greater than 100 mV. If the reading is okay and the burner does not come on, replace the gas valve.
4. Frequent pilot flare outage problem.	A. Pilot flame may be too low or blowing (high) causing the pilot safety to drop out.	Clean and/or adjust pilot flame for maximum flame impingement on thermopile and thermocouple.
	B. Vent safety shutdown.	Check the vent system for blockage. Check all connections on vent safety switch.

TROUBLE SHOOTING THE GAS CONTROL SYSTEM

HONEYWELL MILLIVOLT VALVE

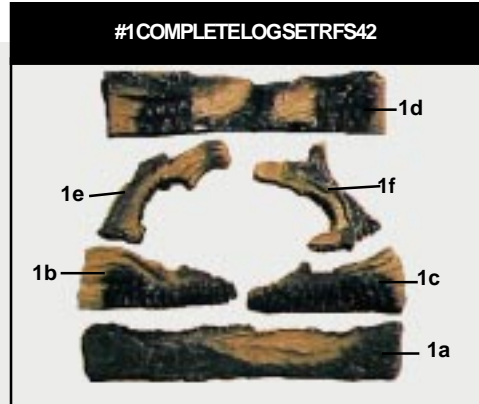
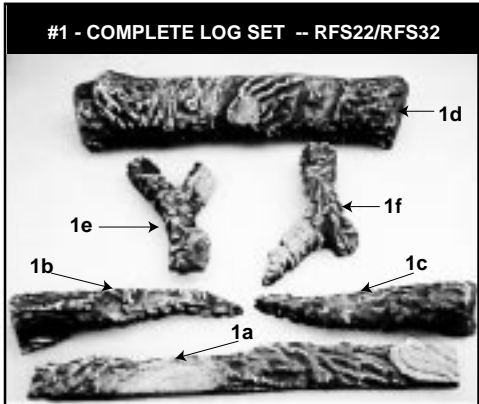
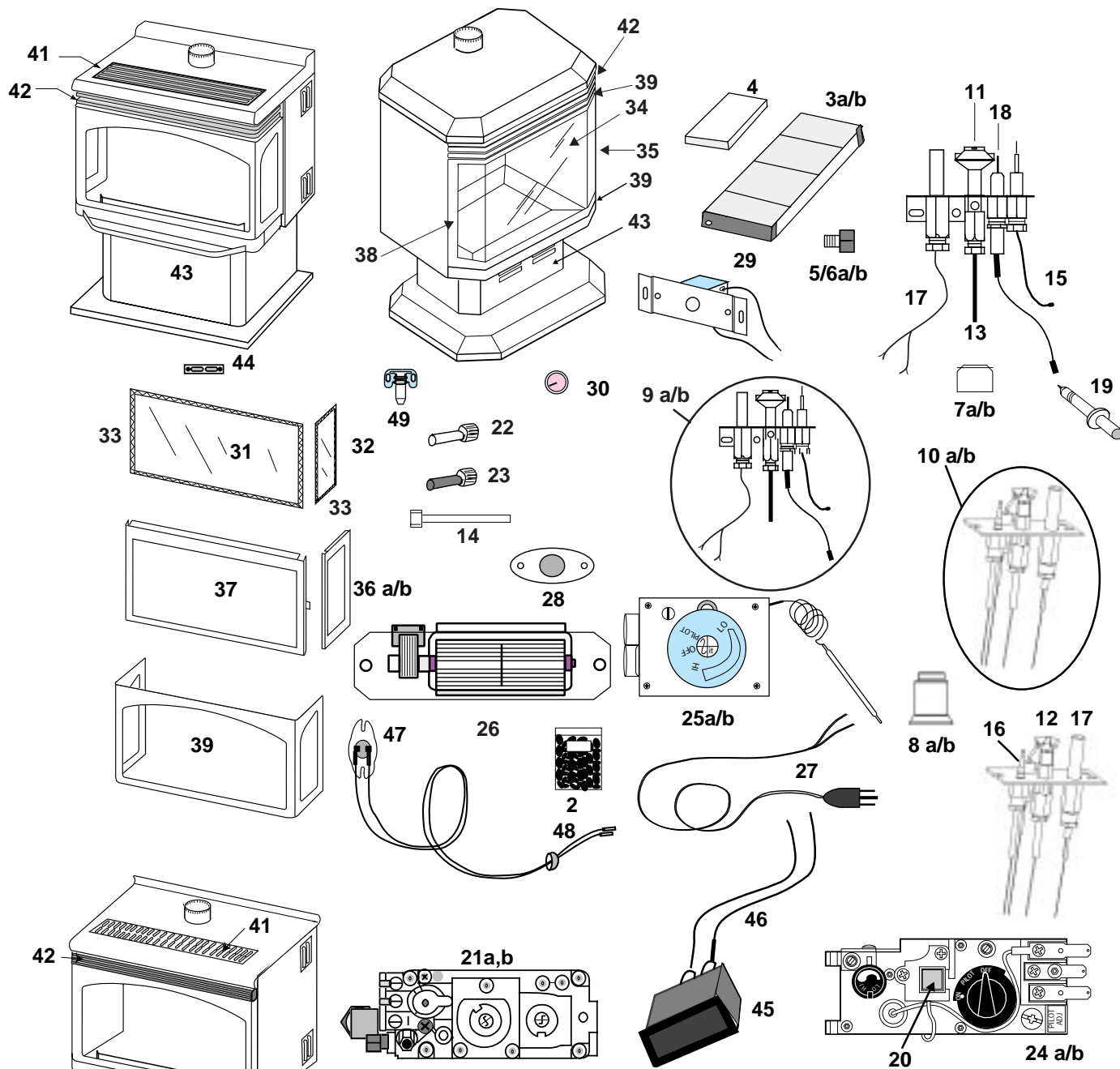


REPLACEMENT PARTS LIST

	DESCRIPTION	RFS22	RFS32	RFS42
1.	Log Set Complete	10000160	10000160	10000205
1a.	Log Ember Front	KR1	KR1	SR1
1b.	Log Front Left	KR2	KR2	SR2
1c.	Log Front Right	KR3	KR3	SR3
1d.	Log Rear	KR4	KR4	SR4
1e.	Log Top Left	KR5	KR5	SR5
1f.	Log Top Right	KR6	KR6	SR6
2.	Burner Lava Rock (Package)	57897	57897	57897
3a.	Burner with Tiles Nat.	10000198	10000198	10000866
3b.	Burner with Tiles Prop.	57904	57904	10000867
4.	Ceramic Tile (single)	57803	57803	57803
5a.	Orifice Front Nat.	SEE RATING PLATE FOR ORIFICE SIZE		
5b.	Orifice Front Prop.	SEE RATING PLATE FOR ORIFICE SIZE		
6a.	Orifice Main Nat.	SEE RATING PLATE FOR ORIFICE SIZE		
6b.	Orifice Main Prop.	SEE RATING PLATE FOR ORIFICE SIZE		
7a.	Orifice Pilot SIT Nat.	54273	54273	54273
7b.	Orifice Pilot SIT Prop.	54272	54272	54272
8a.	Orifice Pilot PSE Nat.	10001822	10001822	10001822
8b.	Orifice Pilot PSE Prop.	10001823	10001823	10001823
9a.	Pilot Assembly SIT Nat.	54219	54219	54219
9b.	Pilot Assembly SIT Prop.	54221	54221	54221
10a.	Pilot Assembly PSE Nat.	10001739	10001739	10001739
10b.	Pilot Assembly PSE Prop.	10001740	10001740	10001740
11.	Pilot SIT	10001295	10001295	10001295
12.	Pilot w/ignitor and cable PSE	10001824	10001824	10001824
13.	Pilot Tubing w/fittings	53211	53211	53211
14.	Manifold Tubing w/fittings	57318	57318	57318
15.	Thermocouple with Interrupter SIT	54912	54912	54912
16.	Thermocouple with Interrupter PSE	10001828	10001828	10001828
17.	Thermopile	53374	53374	53374
18.	Electrode Ignitor w/cable SIT	52465	52465	52465
19.	Ignitor Piezo SIT	52464	52464	50932
20.	Ignitor Piezo Honeywell	2000062	2000062	2000062
21a.	Valve SIT 820 Nat.	52677	52677	52677
21b.	Valve SIT 820 Prop.	52678	52678	52678
22.	Extension Knob Hi/Lo (RN/RP)	10000165	10000165	55162
23.	Extension Knob (On/Off) SIT (RN/RP)	10000166	10000166	55163
24a.	Valve Honeywell Nat.	10001782	10001782	10001782
24b.	Valve Honeywell Prop.	10001759	10001759	10001759
25a.	Valve Eurosit 630 Nat.	51844	51844	51844
25b.	Valve Eurosit 630 Prop.	51845	51845	51845
26.	Fan with Bracket	54103	54103	54103
27.	Electrical Cord (6ft.)	51865	51865	51865
28.	Fan Temperature Sensor	51704	51704	51704
29.	Speed Control	51738	51738	51738
30.	Speed Control Knob	51882	51882	51882
31.	Glass with Gasket -Front	52035	52035	57581
32.	Glass with Gasket - Side	-	52032	-
33.	Gasket Glass	57316	57316	57317
34.	Glass Bay Window - Front	-	-	57477
35.	Glass Bay Window - Sides	-	-	57478
36a.	Frame Window - Left Side	-	55110	-
36b.	Frame Window - Right Side	-	55111	-
37.	Frame Window - Front	55109	55109	57584
38.	Bay Window Assembly (w/glass)	-	-	57582
39.	Trim Frame Window (PB)	53477	52027	57583 ⁽¹⁾
40.	Trim Front Louvre (PB)	53455	-	-
41.	Top Louvre	57263	53977	-
42.	Front Louvre Assembly	57260	57907	57585
43.	Access Door with Handle	54048	52052	57586
44.	Latch	52057	52057	52057
45.	Remote Switch	53606	53606	53606
46.	Remote Wire Harness with Terminals	57265	57265	57265
47.	Vent Safety Switch	51866	51866	51866
48.	Vent Safety Switch Wiring Harness	54849	54849	54849
49.	Clamp Frame Window	-	-	54174
50.	Ceramic Refractory Lining Kit (Not Shown)	-	-	10000846
51.	Ceramic Refractory Bay (ONLY Bay Set) (Not Shown)	-	-	10000847

⁽¹⁾ Top or Bottom With Magnets

REPLACEMENT PARTS



OPTIONS

REMOTE CONTROL

For units with RN/RP valves

- MRC1 - On/Off Button Remote Control
- MRC2 - Temperature Control Remote
- MRC3 - Temperature Control w/digital display &
24 hour programmable clock
- IMT - Wall Mounted Thermostat