



INSTRUCTIONS

-J04646

REV. 2008-06-26

DYNA REAR TURN SIGNAL RELOCATION KIT

GENERAL

Kit Number

68227-09

Models

This kit is needed to complete the installation of a Saddlebag Kit or Docking Hardware Kit on specific model motorcycles. Please see the P&A Retail Catalog or the Parts and Accessories section of www.harley-davidson.com (English only) for model fitment information and the correct Saddlebag or Docking Hardware Kit part numbers.

Tools and Supplies Required

An UltraTorch UT-100 (HD-39969), Robinair Heat Gun (HD-25070) with Heatshrink Attachment (HD-41183), or other suitable radiant heating device is required for the proper installation of this kit.

WARNING

The rider's safety depends upon the correct installation of this kit. Use the appropriate service manual procedures. If the procedure is not within your capabilities or you do not have the correct tools, have a Harley-Davidson dealer perform the installation. Improper installation of this kit could result in death or serious injury. (00333a)

NOTE

This instruction sheet references service manual information. A service manual for your model motorcycle is required for this installation and is available from a Harley-Davidson dealer.

Kit Contents

See Figure 4 and Table 1.

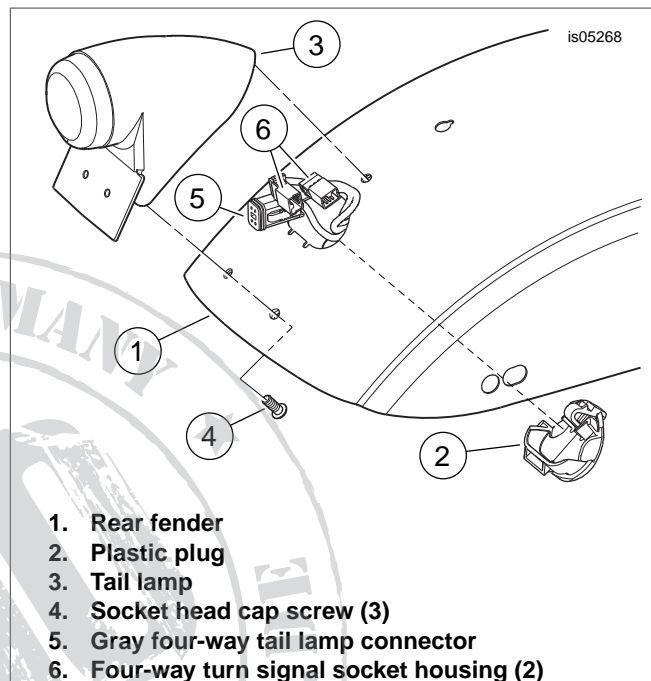
REMOVAL

1. Raise the vehicle on a motorcycle lift to allow access to the underside of the rear fender.

WARNING

To prevent accidental vehicle start-up, which could cause death or serious injury, disconnect negative (-) battery cable before proceeding. (00048a)

2. Refer to the service manual and remove the seat and disconnect the negative (black) battery cable from the negative (-) battery terminal. Retain all seat mounting hardware.
3. See Figure 1. Remove the plastic plug (2) from the tail lamp access hole underneath the rear fender (1).



1. Rear fender
2. Plastic plug
3. Tail lamp
4. Socket head cap screw (3)
5. Gray four-way tail lamp connector
6. Four-way turn signal socket housing (2)

Figure 1. Rear Lighting Connections

4. Carefully remove the turn signal wires and connectors from the inside of the tail lamp housing (3). Remove the turn signal wires from the clips underneath the fender. Separate the four-way turn signal socket housings from the rear lighting harness pin housings (6).
5. Unplug the gray four-way tail lamp connector (5) from the mating connector in the tail lamp housing.

NOTES

Refer to AMP MULTILOCK CONNECTORS in the service manual for terminal removal procedures.

DO NOT remove the wires from the **pin housings** on the rear lighting harness.

6. Note the wire colors and positions in each cavity of the **socket housings** leading from the turn signals. Refer to the wiring diagram and the AMP MULTILOCK CONNECTORS section in the service manual. Remove the wires from both socket housings.

NOTE

Use the attaching hardware and follow the instructions found in the Saddlebag or Docking Hardware Kit to install the **new** fender mount brackets from **this** kit in place of the original equipment (OE) fender mount brackets.

To keep the fender aligned, remove the OE bracket and completely install the new bracket **on one side of the motorcycle** before proceeding to the second side.

- See Figure 2. Remove the screw (2) at the front of the fender mounting bracket (1).

NOTE

The spacer (3) is glued to the fender, and is not removed.

- Remove screw (4) and washer (5) at the rear of the fender mounting bracket. Remove the turn signal lamp (6), support (7) and fender mounting bracket from the vehicle.

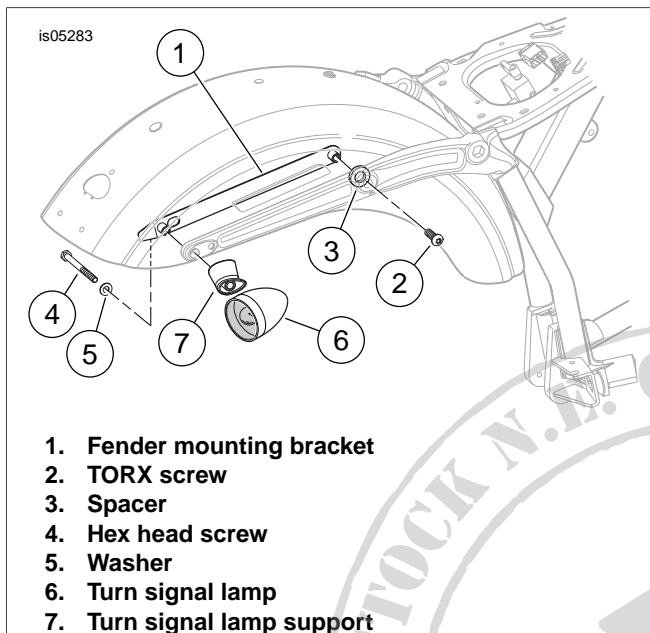


Figure 2. Remove Turn Signal Lamp from Fender

INSTALLATION

Turn Signal Installation

NOTE

The turn signal relocation brackets are side-specific. The brackets install with the support tube above the level of the fender support.

- For Wide Tire Installations:** See Figure 4. Cut two pieces of shrink tubing (6) into two equal length pieces.

For All Other Models: See Figure 4. Cut one piece of shrink tubing (6) into two equal length pieces.
- For All Models:** Slide one piece of shrink tubing over the turn signal wires, all the way up to the lamp housing. Allow 1/2 - 3/4 inch (13-19 mm) of the tubing to remain covering the conduit.

For Wide Tire Installations: Slide a second piece of shrink tubing over the connector end of the turn signal wires to cover the exposed, colored wiring.

WARNING

Be sure to follow manufacturer's instructions when using the UltraTorch UT-100 or any other radiant heating device. Failure to follow manufacturer's instructions can cause a fire, which could result in death or serious injury. (00335a)

- Avoid directing heat toward any fuel system component. Extreme heat can cause fuel ignition/explosion resulting in death or serious injury.
 - Avoid directing heat toward any electrical system component other than the connectors on which heat shrink work is being performed.
 - Always keep hands away from tool tip area and heat shrink attachment.
- Use a heat gun or suitable radiant-heating device to shrink the tubing to the wires and conduit.
 - Install the turn signal lamp wires through the small hole in the rubber recess cover, and position the cover into the recess in the turn signal housing.
 - Loosely install the hex nut (3) and lockwasher (4) onto the short, threaded end of the turn signal relocation bracket (2). Assemble the turn signal lamp and recess cover onto the threads, but do not fully tighten.

NOTE

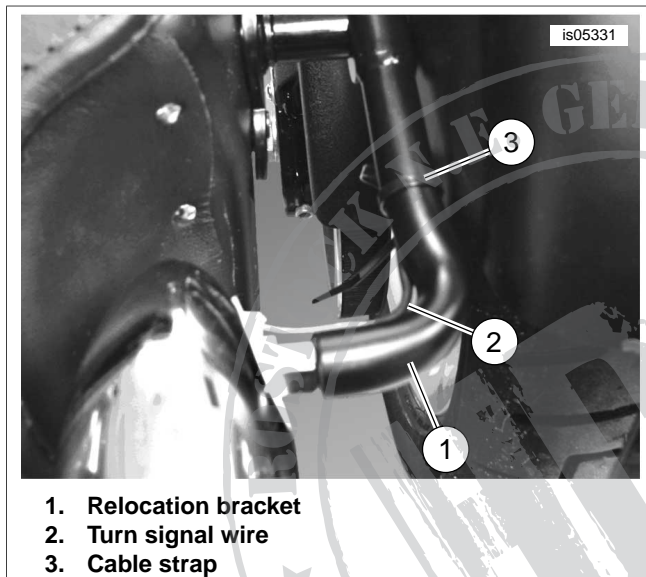
Check that the turn signal wires are not pinched, and that the lockwasher will seat against the turn signal housing, not the rubber recess cover.

- Align the relocation bracket with the rear of the fender support, and fit the round pad into the mating hole in the support. Follow the instructions in the Saddlebag or Docking Hardware Kit, and use the specified hardware to install the rear fender mounting bracket (1) and turn signal relocation bracket to the rear fender and vehicle frame fender support. Tighten the brackets to the torque values indicated in **those** instructions.
- Align the turn signal housing so that the lens is aimed straight rearward for proper visibility. While holding the turn signal housing in position, tighten the hex nut and lock washer against the housing (not the rubber recess cover) to 96-120 **in-lbs** (11-14 Nm).
- Repeat Steps 2 through 7 for the opposite side of the vehicle.
- Refer to AMP MULTILOCK CONNECTORS in the service manual for terminal installation procedures. Install the turn signal wires and terminals into each cavity of the turn signal socket housings. Refer to the service manual wiring diagram and the notes made earlier.
- Route the turn signal wires under the turn signal relocation bracket and under the rear fender edge on each side of the vehicle. Connect the turn signal socket housings to the pin housings on the rear lighting harness.
- Plug the gray four-way tail lamp connector on the rear lighting harness into the mating connector in the tail lamp housing under the fender.

12. Gently push the turn signal wires and connectors into the cavity inside the tail lamp housing. Install the plastic plug into the tail lamp access hole in the rear fender.
13. Capture the turn signal wires beneath the clips at the sides of the reinforcement bracket on the underside of the fender and at the back of the rear fender mounting bracket.
 - a. Do not pull the turn signal wires tight against the fender edges or the turn signal relocation brackets.
 - b. Check that there are no loose wires in the wheel compartment.

Adjust the wire routing if necessary.

14. See Figure 3. Route the turn signal wire (2) along the underside of the relocation bracket (1). Tie the wire to the bracket, just forward of the 90 degree bend, with a cable strap (3) from the kit.



1. Relocation bracket
2. Turn signal wire
3. Cable strap

Figure 3. Wire Routing Along Bracket

NOTE

Ambient temperature should be **at least** 60 °F (16 °C) for proper adhesion of the protective edging to the fender.

15. Use a mixture of 50 to 70% isopropyl alcohol and 30 to 50% distilled water to clean the bottom edge of the fender on each side, at the point where the turn signal wiring crosses under the fender. Allow to dry thoroughly.

Obtain the protective edging (8) from the kit, and cut into two equal-length pieces.

Carefully position the edging around the bottom edge of the fender, and press firmly into place to prevent the turn signal wire from rubbing on the fender edge.

After pressing in place, apply heat to the edging using a heat gun or radiant-heating device, held 3-6 inches (75-150 mm) away from the edging for 10-15 seconds.

NOTE

Allow **AT LEAST 24 hours** after applying the edging before exposing the area to vigorous washing, strong water spray or extreme weather.

FINAL ASSEMBLY

1. Verify that the ignition/key switch is turned to the OFF position.
Apply a light coat of petroleum jelly or corrosion retardant material to the negative battery terminal. Refer to the service manual connect the negative battery cable.

⚠ WARNING

After installing seat, pull upward on seat to be sure it is locked in position. While riding, a loose seat can shift causing loss of control, which could result in death or serious injury. (00070b)

2. Refer to the service manual and follow instructions to install the seat.

⚠ WARNING

Be sure that all lights and switches operate properly before operating motorcycle. Low visibility of rider can result in death or serious injury. (00316a)

3. Check the turn signals and the rest of the rear lighting for proper operation.

SERVICE PARTS

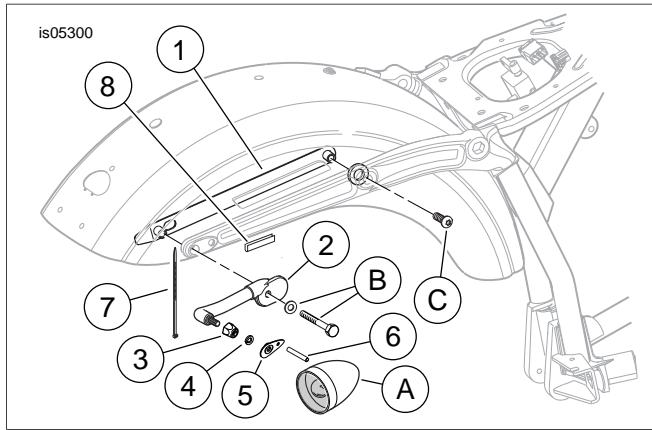


Figure 4. Service Parts, Dyna Rear Turn Signal Relocation Kit

Table 1. Service Parts

Item	Description (Quantity)	Part Number
1	Rear fender mounting bracket (2)	59542-09
2	Turn signal relocation bracket (2) (right-side shown, left opposite)	Not sold separately
3	Hex nut (2)	7849
4	Lock washer (2)	7042
5	Recess cover, rubber (2)	68749-09
6	Heat-shrink tubing, 6 inch (152 mm) long (2)	Not sold separately
7	Cable strap (2)	10065
8	Protective edging	68877-09
Items mentioned in text, but not included in kit.		
A	Turn signal assembly (2)	
B	Rearward attaching hardware (from Saddlebag or Docking Hardware Kit)	
C	Original equipment forward attaching hardware	

