

# **Tanaka** Illustrated Parts Manual

Model Number:

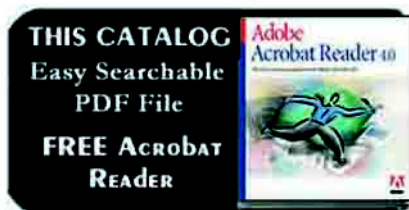
**TPB-400GX**

**40cc PowerBoard**

P/N 31641

Rev 000

Date 4-1-03

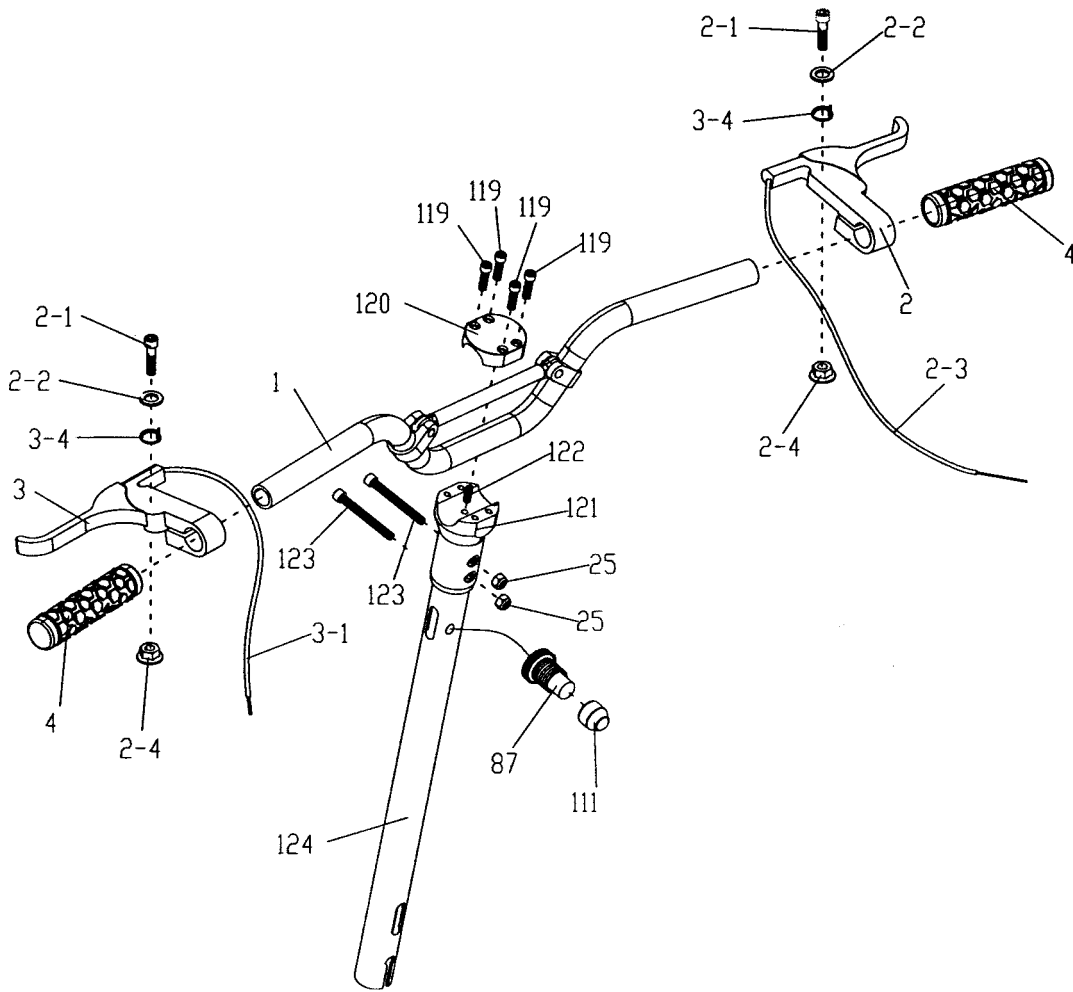


*Supplier To The Outdoor Power Equipment Industry*

ISM, Inc. • 1028 4<sup>th</sup> Street SW • Auburn, WA 98001 • Phone: (253) 333-1200 • Fax: (253) 333-1212

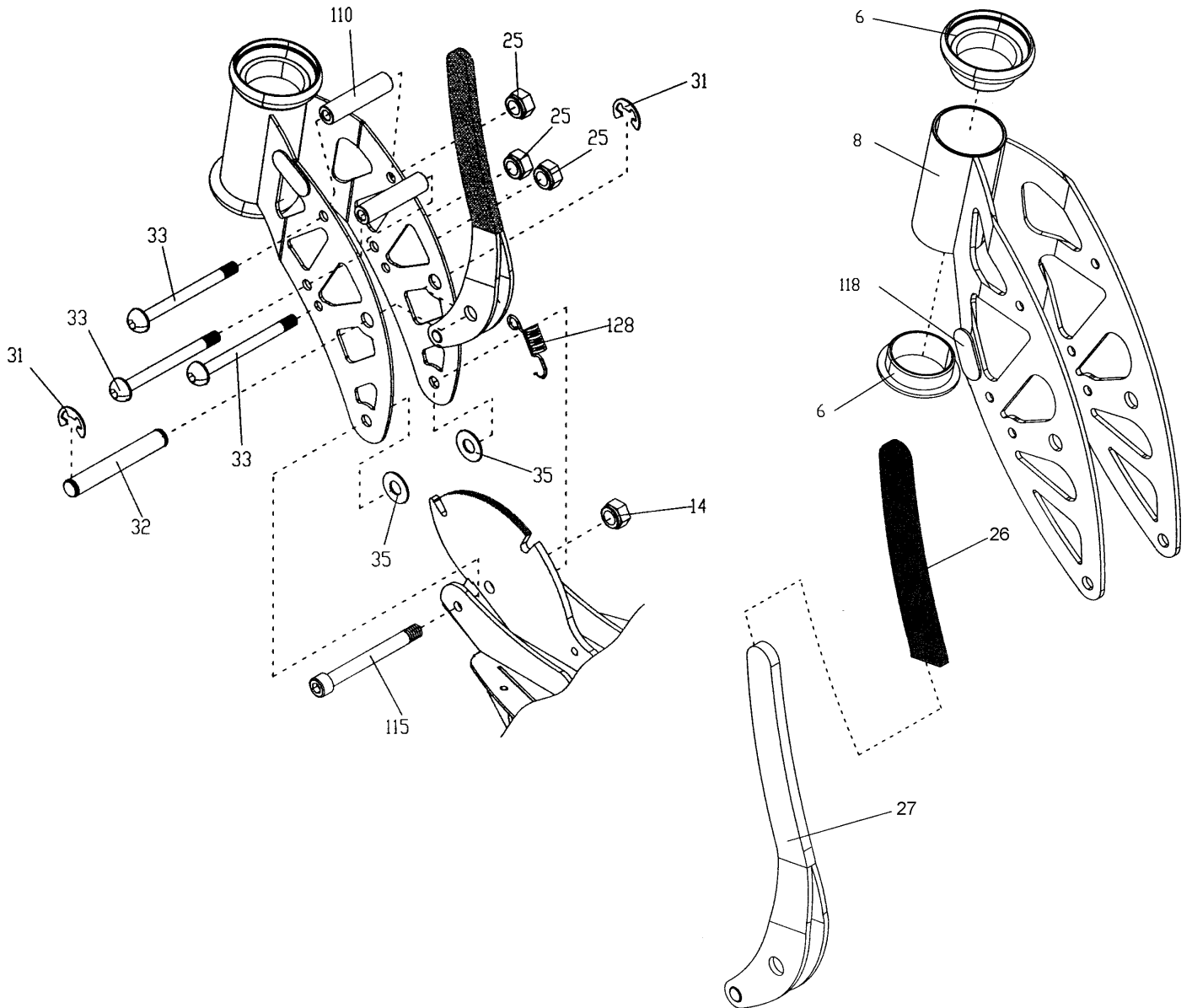
[www.tanaka-usa.com](http://www.tanaka-usa.com)

[custsvc@tanaka-ism.com](mailto:custsvc@tanaka-ism.com)

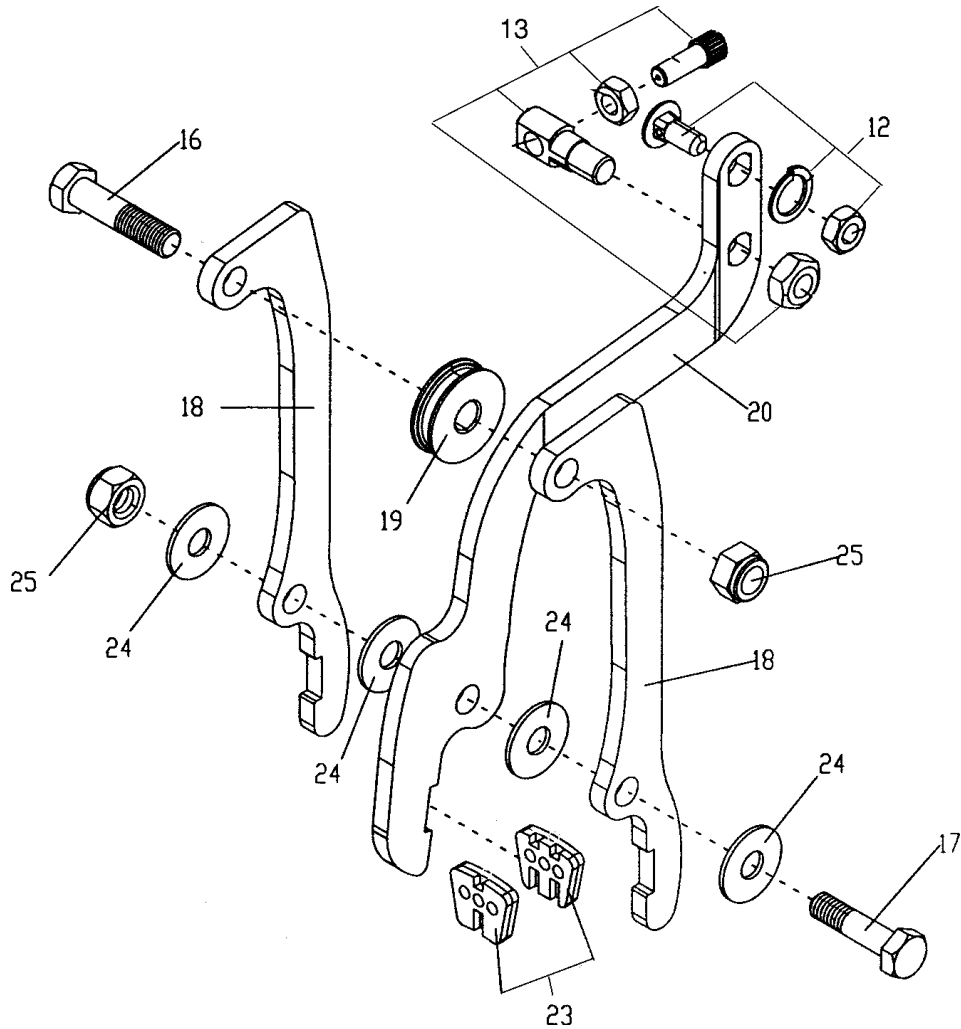


| ITEM  | PART NUMBER | DESCRIPTION         | QTY | COMMENTS |
|-------|-------------|---------------------|-----|----------|
| 1-1   | 31552       | HANDLEBAR,RACING    | 1   |          |
| 1-2   | 30799       | THROTTLE LEVER ASSY | 1   |          |
| 1-2-1 | 31503       | BOLT,M6xP1.0x13     | 2   |          |
| 1-2-2 | 31504       | WASHER              | 2   |          |
| 1-2-3 | 31228       | CABLE,THROTTLE      | 1   |          |
| 1-2-4 | 31505       | NUT,M6              | 2   |          |
| 1-3   | 30801       | LEVER,BRAKE         | 1   |          |
| 1-3-1 | 31229       | CABLE,BRAKE         | 1   |          |
| 1-3-4 | 31506       | SPRING,LEVER        | 2   |          |
| 1-4   | 30798       | GRIP,HANDLE         | 2   |          |
| 1-25  | 31658       | NUT                 | 2   |          |
| 1-87  | 30806       | SWITCH,BUTTON       | 1   |          |
| 1-111 | 30938       | COVER,STOP BUTTON   | 1   |          |
| 1-119 | 31563       | BOLT,M6xP1.0x20     | 4   |          |
| 1-120 | 31564       | STEERING STEM CAP   | 1   |          |
| 1-121 | 31565       | STEERING STEM       | 1   |          |
| 1-122 | 31566       | BOLT,M6xP1.0x15     | 1   |          |
| 1-123 | 31567       | BOLT,M6xP1.0x42     | 2   |          |
| 1-124 | 31568       | STEERING PIPE       | 1   |          |

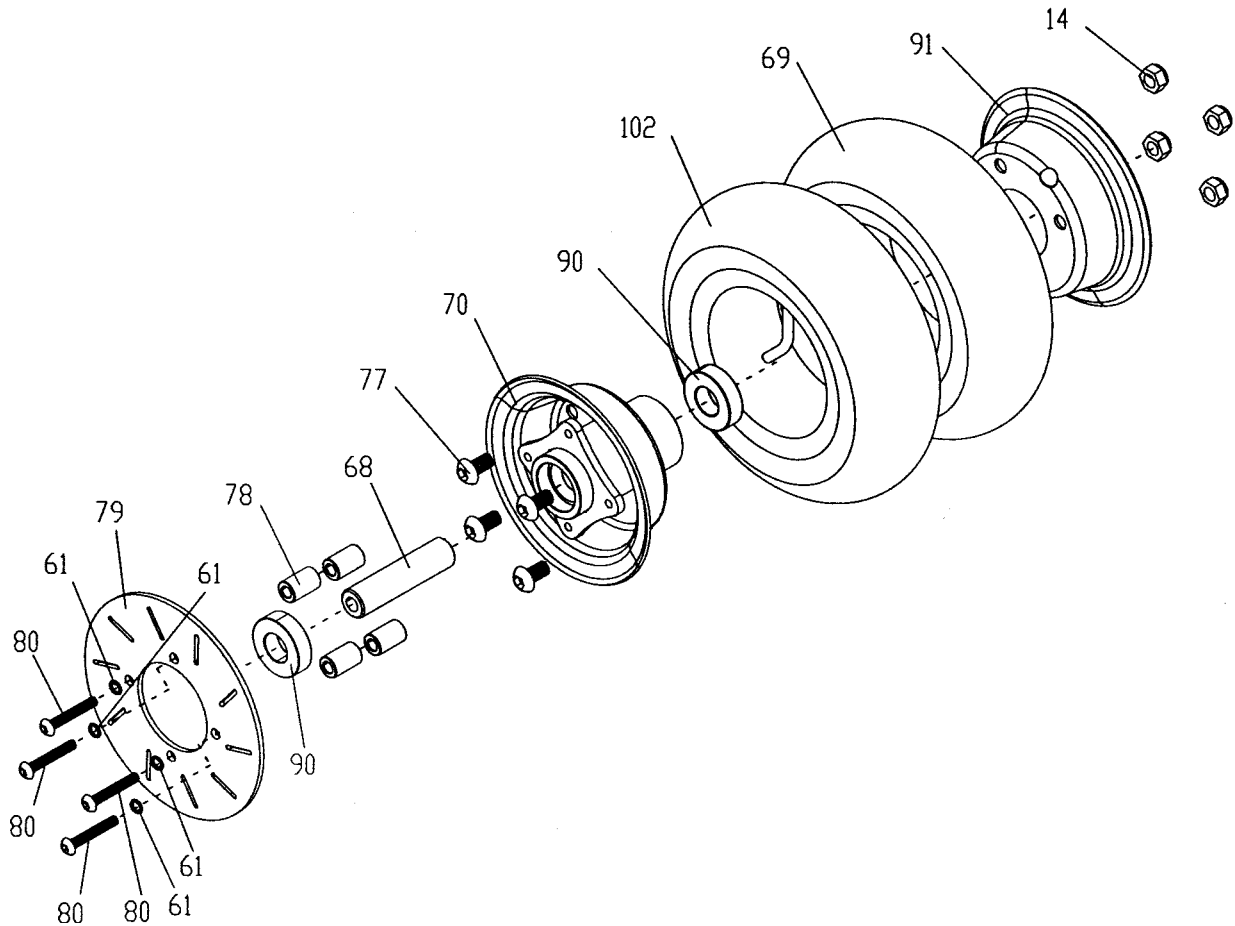
### HEAD PIPE & FOLDING HANDLE • FIGURE 2



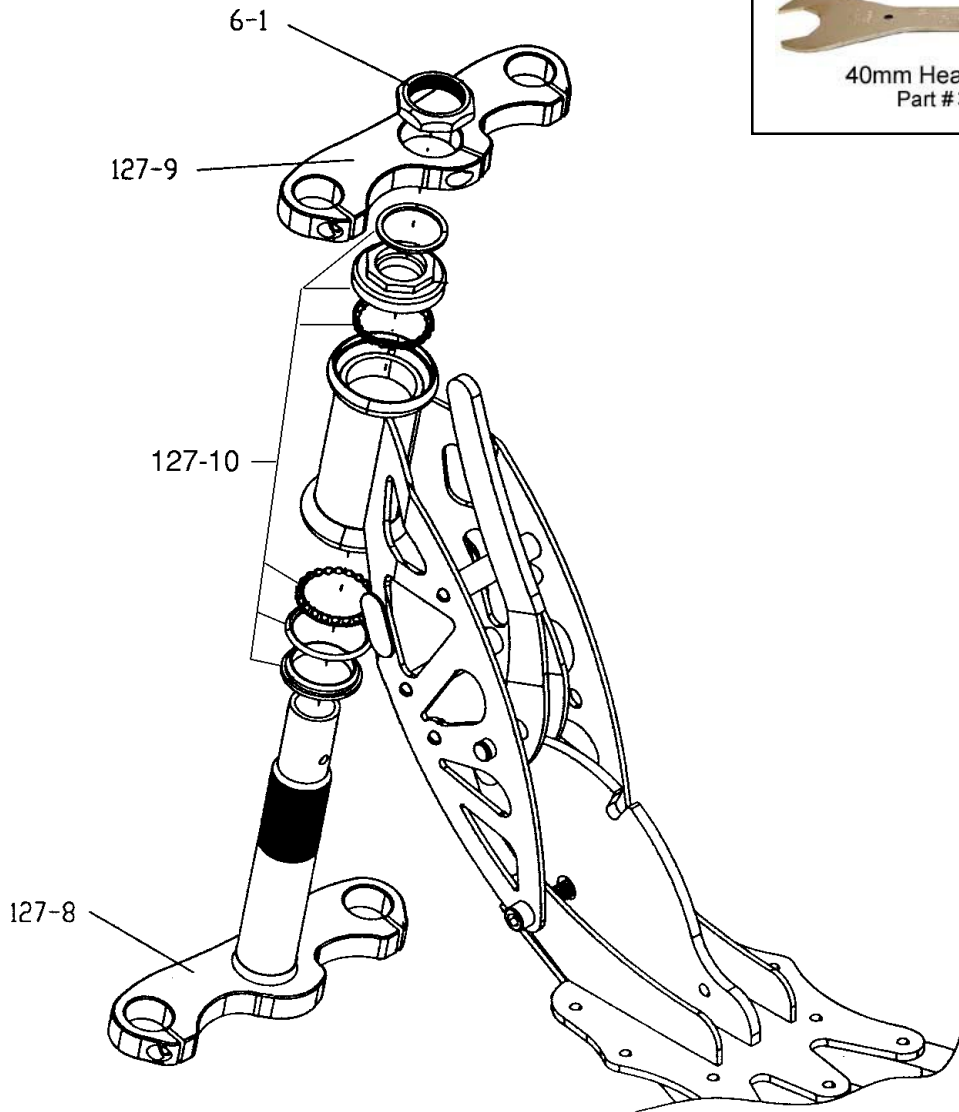
| ITEM  | PART NUMBER | DESCRIPTION           | QTY | COMMENTS |
|-------|-------------|-----------------------|-----|----------|
| 2-6   | 30845       | SPACER,FRONT HANDLE   | 1   |          |
| 2-8   | 31681       | TUBE,HEAD (BLUE)      | 1   |          |
| 2-14  | 30821       | NUT,M8xP1.25          | 1   |          |
| 2-25  | 30936       | NUT,M6xP1.0           | 3   |          |
| 2-26  | 30870       | GRIP,FOLDING HANDLE   | 1   |          |
| 2-27  | 31682       | HANDLE,FOLDING,(BLUE) | 1   |          |
| 2-31  | 30862       | RING,E                | 2   |          |
| 2-32  | 30863       | PIN,HEAD TUBE         | 1   |          |
| 2-33  | 30868       | BOLT                  | 3   |          |
| 2-35  | 30864       | WASHER                | 2   |          |
| 2-110 | 31078       | SPACER,T-937          | 2   |          |
| 2-115 | 31663       | BOLT                  | 1   |          |
| 2-118 | 31664       | PAD,CUSHION           | 2   |          |
| 2-128 | 31662       | SPRING,FOLDING HANDLE | 1   |          |



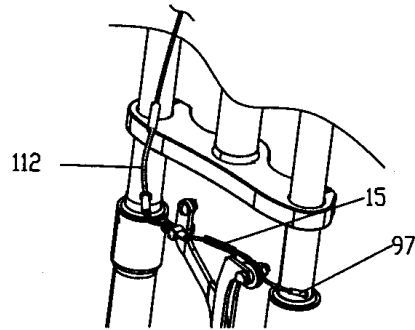
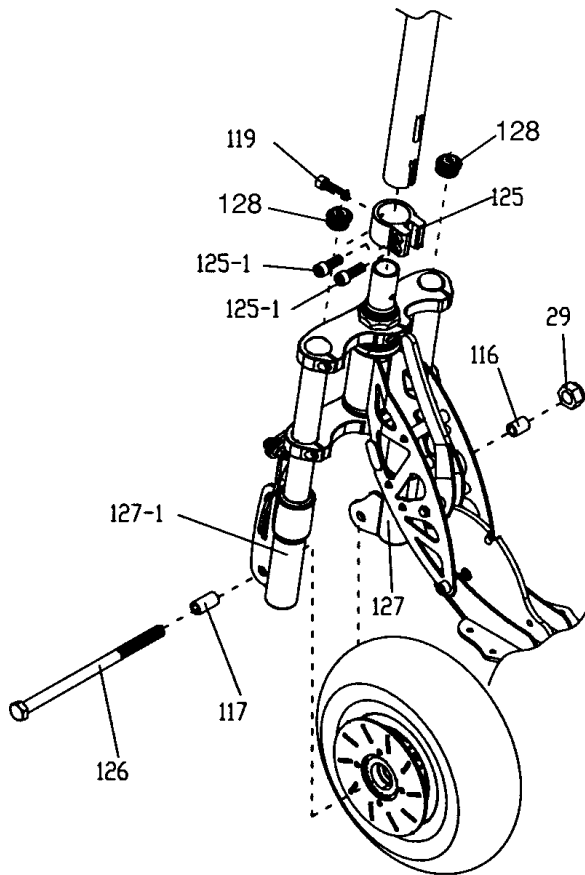
| ITEM | PART NUMBER | DESCRIPTION              | QTY | COMMENTS |
|------|-------------|--------------------------|-----|----------|
| 3-12 | 30851       | KIT,BRAKE ARM HDWE       | 1   |          |
| 3-13 | 30852       | KIT,BRAKE CABLE RECEIVER | 1   |          |
| 3-16 | 30855       | BOLT                     | 1   |          |
| 3-17 | 30859       | BOLT                     | 1   |          |
| 3-18 | 30854       | ARM,BRAKE,(SMALL)        | 2   |          |
| 3-19 | 30856       | WHEEL,BRAKE              | 1   |          |
| 3-20 | 30853       | ARM,BRAKE,(LARGE)        | 1   |          |
| 3-23 | 30930       | BRAKE PAD SET            | 1   |          |
| 3-24 | 30860       | WASHER                   | 4   |          |
| 3-25 | 30936       | NUT,M6xP1.0              | 2   |          |



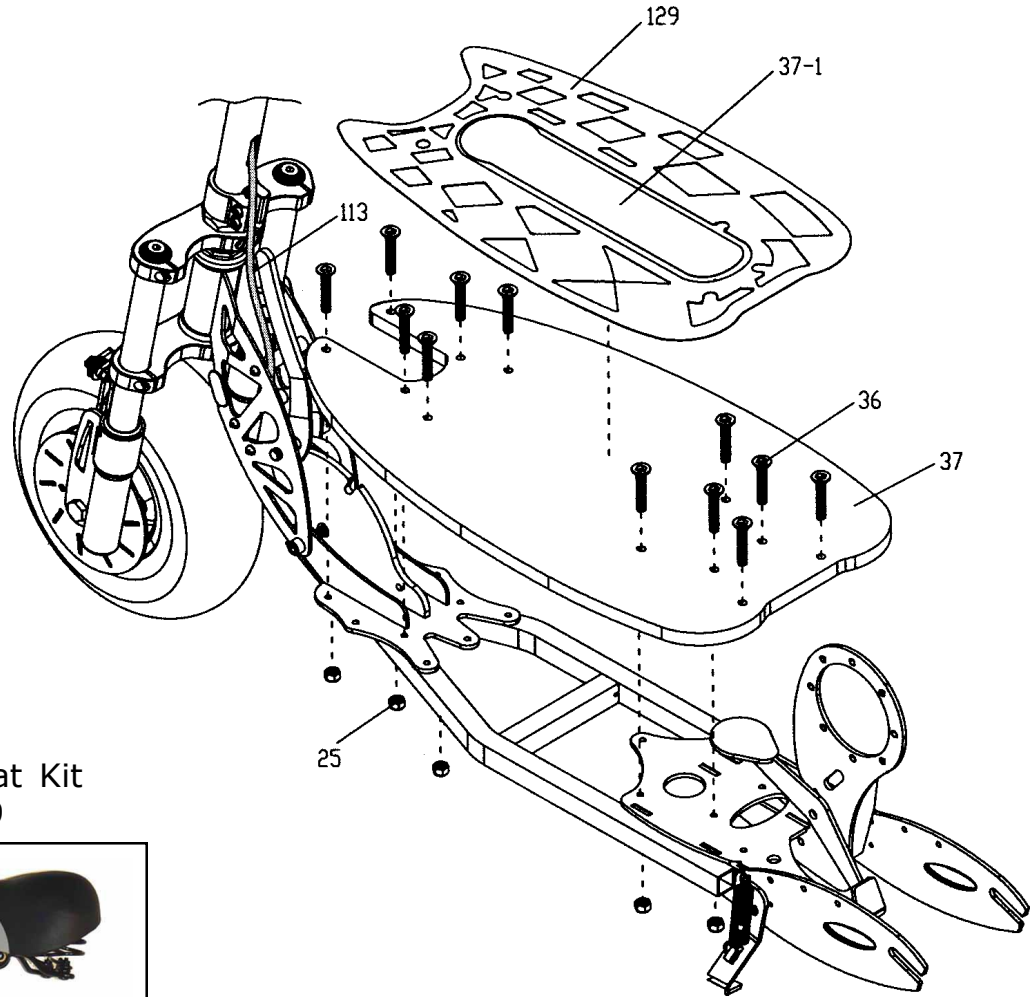
| ITEM  | PART NUMBER | DESCRIPTION          | QTY | COMMENTS |
|-------|-------------|----------------------|-----|----------|
| 4-14  | 30821       | NUT, M8xP1.25        | 4   |          |
| 4-61  | 30830       | WASHER, SPRING M6    | 4   |          |
| 4-68  | 30827       | SPACER, T-789        | 1   |          |
| 4-69  | 30823       | TIRE, 10"            | 1   |          |
| 4-70  | 30825       | HUB, (WELD)          | 1   |          |
| 4-77  | 30826       | BOLT, M8xP1.25x15    | 4   |          |
| 4-78  | 30828       | SPACER, BRAKE, T-790 | 4   |          |
| 4-79  | 30829       | DISC, BRAKE          | 1   |          |
| 4-80  | 30831       | BOLT, M6xP1.0x32     | 4   |          |
| 4-90  | 30883       | BEARING, 6200-2RS    | 2   |          |
| 4-91  | 30822       | HUB, (5 HOLES)       | 1   |          |
| 4-102 | 30911       | TUBE, TIRE           | 1   |          |



| ITEM     | PART NUMBER | DESCRIPTION         | QTY | COMMENTS |
|----------|-------------|---------------------|-----|----------|
| 5-6-1    | 31554       | OCTAGON 1.25"       | 1   |          |
| 5-127-8  | 31580       | TRIPLE CLAMP,BOTTOM | 1   |          |
| 5-127-9  | 31581       | TRIPLE CLAMP, TOP   | 1   |          |
| 5-127-10 | 31671       | HEAD BEARING KIT    | 1   |          |



| ITEM    | PART NUMBER | DESCRIPTION            | QTY | COMMENTS  |
|---------|-------------|------------------------|-----|---|
| 6-15    | 31080       | SPRING,S-043           | 1   |   |
| 6-29    | 30880       | NUT,M10xP1.5           | 1   |   |
| 6-97    | 31082       | CAP,CABLE END          | 1   |   |
| 6-112   | 31665       | BRAKE WIRE CONDUIT     | 1   |   |
| 6-116   | 31667       | SPACER                 | 1   |   |
| 6-117   | 31666       | SPACER                 | 1   |   |
| 6-119   | 31668       | SCREW                  | 1   |   |
| 6-125   | 31569       | HANDLE STEM CONNECTOR  | 1   |   |
| 6-125-1 | 31669       | SCREW                  | 2   |   |
| 6-126   | 31571       | BOLT,M10xP1.5x160      | 1   |   |
| 6-127   | 31572       | SHOCK,(R)              | 1   | Caution - Do not disassemble shocks!<br>Extreme pressure and not serviceable! |
| 6-127-1 | 31573       | SHOCK,(L)              | 1   |   |
| 6-128   | 31706       | NUT, TOP, TRIPLE CLAMP | 2   |   |

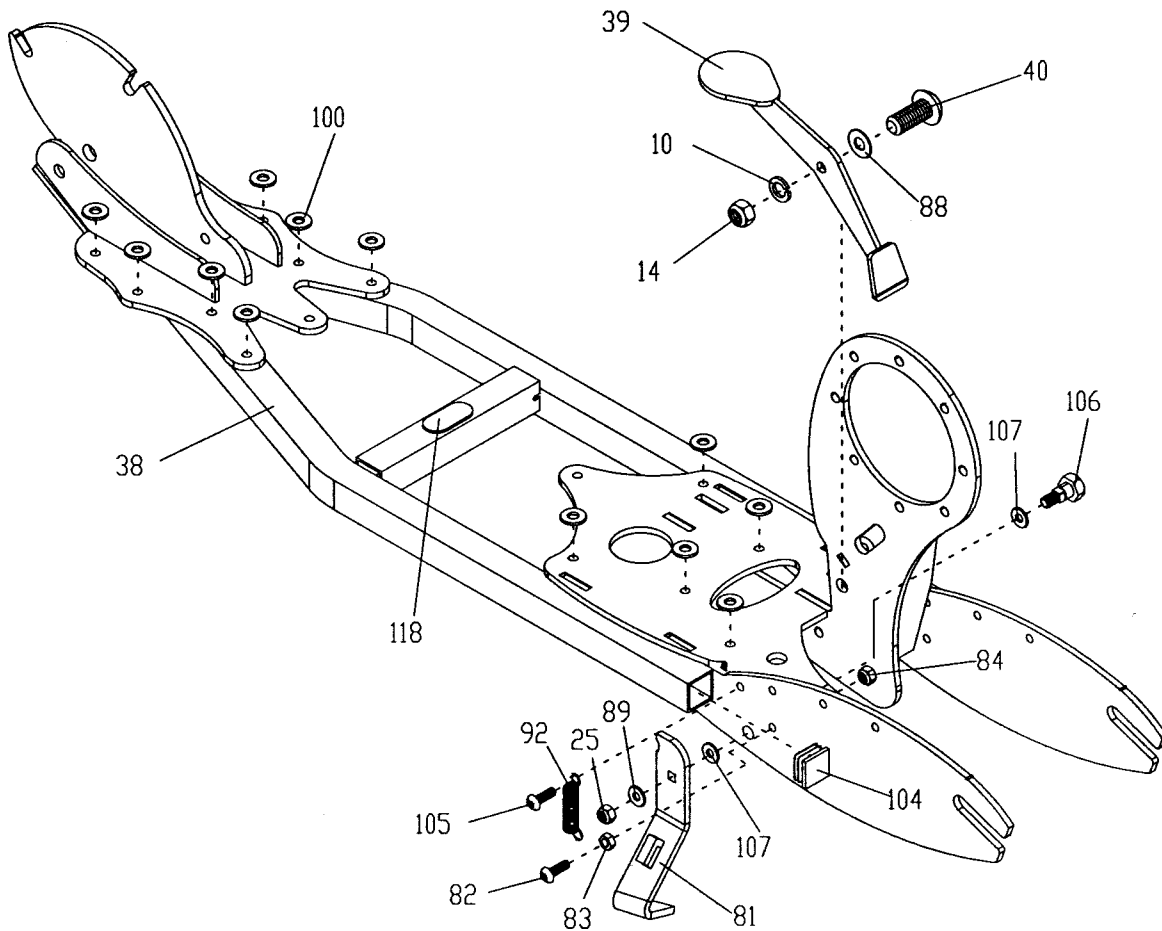


Optional Seat Kit  
#31699

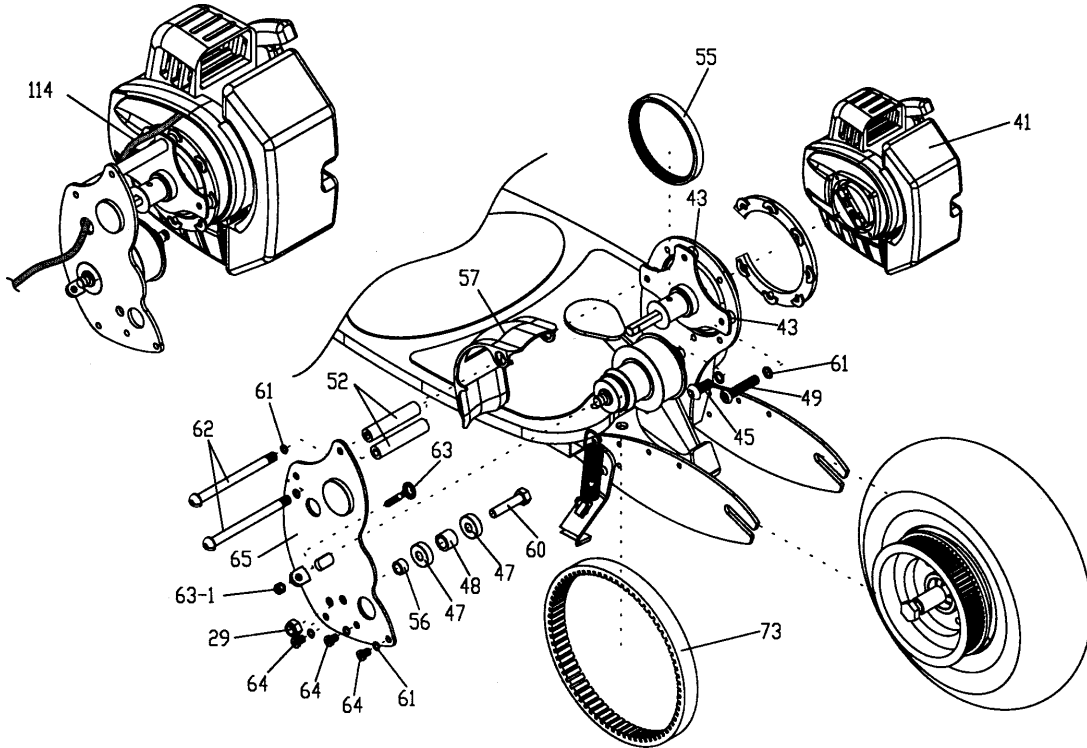


| ITEM   | PART NUMBER | DESCRIPTION                | QTY | COMMENTS |
|--------|-------------|----------------------------|-----|----------|
| 7-25   | 30936       | NUT, M6xP1.0               | 5   |          |
| 7-36   | 30912       | SCREW, BOARD               | 12  |          |
| 7-37   | 31083       | DECK, WOOD, PAVERUNNER 350 | 1   |          |
| 7-37-1 | 31672       | DECAL, DECK, PAVERUNNER    | 1   |          |
| 7-129  | 31673       | GRIP TAPE, PAVERUNNER      | 1   |          |





| ITEM  | PART NUMBER | DESCRIPTION             | QTY | COMMENTS |
|-------|-------------|-------------------------|-----|----------|
| 8-10  | 30819       | WASHER, SPRING          | 1   |          |
| 8-14  | 30821       | NUT, M8xP1.25           | 1   |          |
| 8-25  | 30936       | NUT, M6xP1.0            | 1   |          |
| 8-38  | 31683       | FRAME, PAVERUNNER, BLUE | 1   |          |
| 8-39  | 30817       | PEDAL, REAR BRAKE       | 1   |          |
| 8-40  | 30816       | BOLT, K-236             | 1   |          |
| 8-81  | 30812       | STAND, KICK             | 1   |          |
| 8-82  | 30810       | BOLT, M5xP0.8x15        | 1   |          |
| 8-83  | 30936       | NUT, M6xP1.0            | 1   |          |
| 8-84  | 30809       | NUT, M5xP0.8            | 1   |          |
| 8-88  | 30818       | WASHER                  | 1   |          |
| 8-89  | 30813       | WASHER                  | 1   |          |
| 8-92  | 30811       | SPRING, KICK STAND      | 1   |          |
| 8-100 | 30815       | WASHER, RUBBER          | 14  |          |
| 8-104 | 31087       | CAP, FLAT               | 1   |          |
| 8-105 | 30810       | BOLT, M5xP0.8x15        | 1   |          |
| 8-106 | 31675       | BOLT                    | 1   |          |
| 8-107 | 31676       | WASHER                  | 2   |          |
| 8-118 | 31664       | PAD, CUSHION            | 1   |          |



Belt Adjustment / Replacement Procedures

| ITEM   | PART NUMBER | DESCRIPTION                      | QTY | COMMENTS |
|--------|-------------|----------------------------------|-----|----------|
| 9-29   | 30880       | NUT,M10xP1.5                     | 1   |          |
| 9-41   | TC-355      | Complete Replacement Engine,35cc | 1   |          |
| 9-41   | PF-4000     | Complete Replacement Engine,40cc | 1   |          |
| 9-41   | TC-4700     | Complete Replacement Engine,47cc | 1   |          |
| 9-43   | 30917       | SPACER,SHORT                     | 3   |          |
| 9-45   | 31150       | BOLT,M6xP1.0x35,RD HD            | 1   |          |
| 9-47   | 30834       | BEARING,6000-2RS                 | 2   |          |
| 9-48   | 31091       | SPACER,T-804                     | 1   |          |
| 9-49   | 31383       | BOLT,M6XP1.0X25,RD HD            | 1   |          |
| 9-52   | 31092       | SPACER,T-693                     | 2   |          |
| 9-55   | 30923       | BELT,CLUTCH,(SMALL)              | 1   |          |
| 9-56   | 31093       | SPACER,T-797                     | 1   |          |
| 9-57   | 30915       | FENDER                           | 1   |          |
| 9-60   | 31094       | BOLT,M10xP1.5x45                 | 1   |          |
| 9-61   | 30830       | WASHER,SPRING M6                 | 7   |          |
| 9-62   | 31095       | BOLT,K-222                       | 2   |          |
| 9-63   | 31096       | SCREW,M6xP1.0x40                 | 2   |          |
| 9-63-1 | 31677       | NUT                              | 1   |          |
| 9-64   | 31097       | BOLT,M6xP1.0x10                  | 3   |          |
| 9-65   | 31684       | PLATE,SUPPORT,BLUE               | 1   |          |
| 9-73   | 30921       | BELT,DRIVE,(LARGE)               | 1   |          |
| 9-93   | 30959       | MOUNTING RING                    | 1   |          |

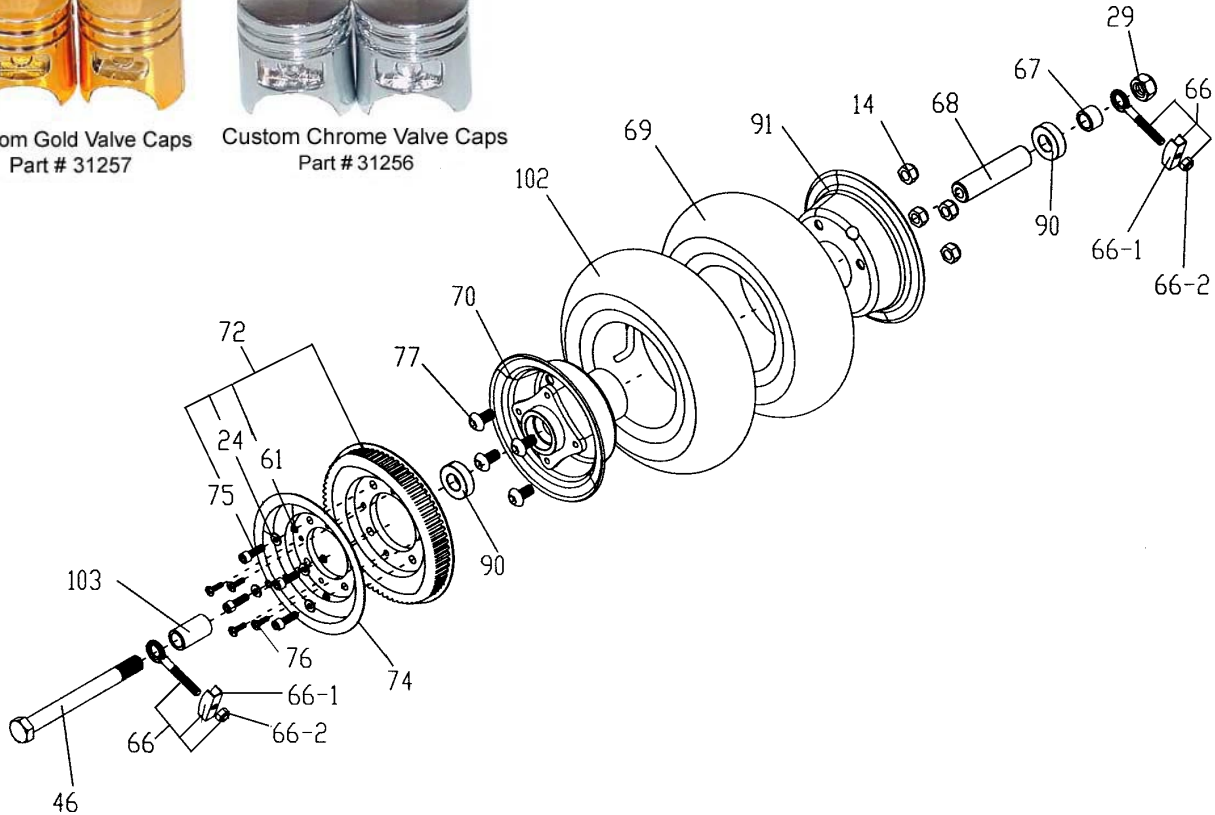
### REAR WHEEL & REAR DRIVE PULLEY • FIGURE 10



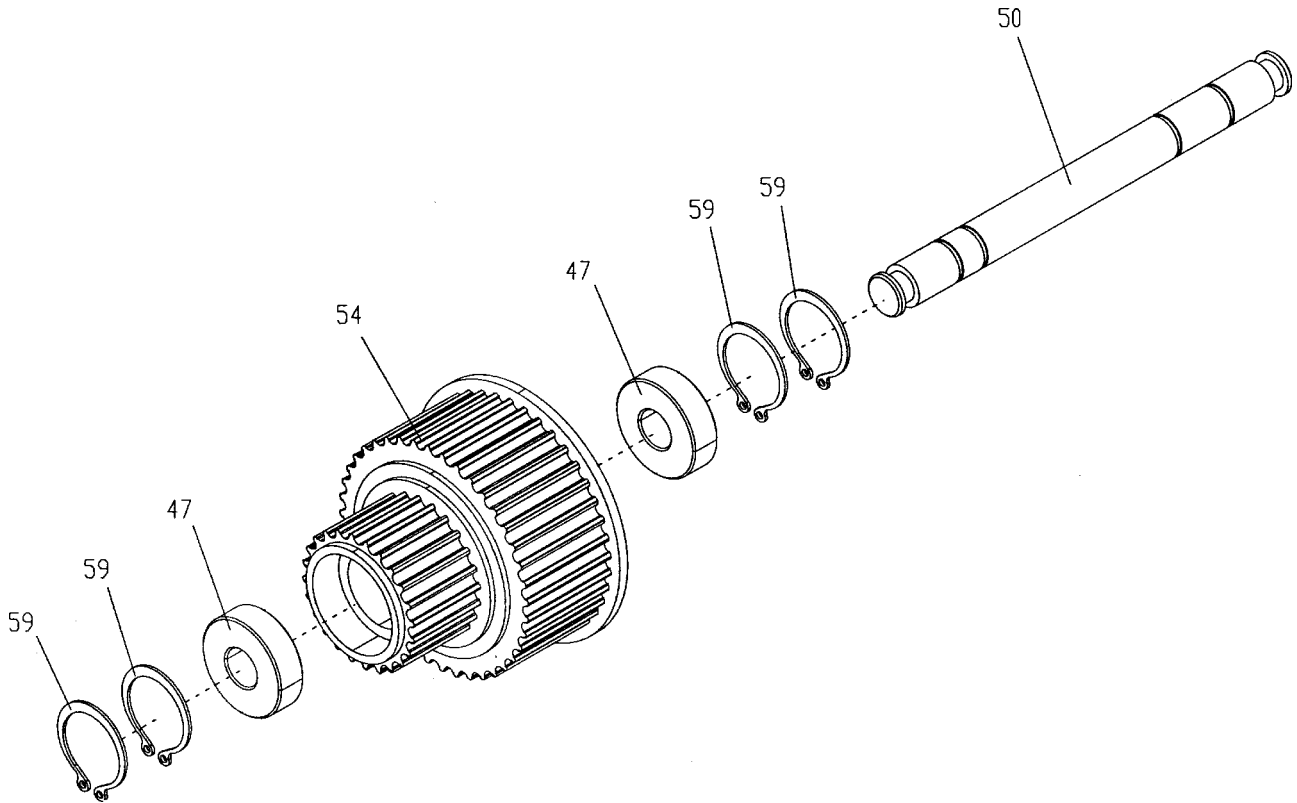
Custom Gold Valve Caps  
Part # 31257



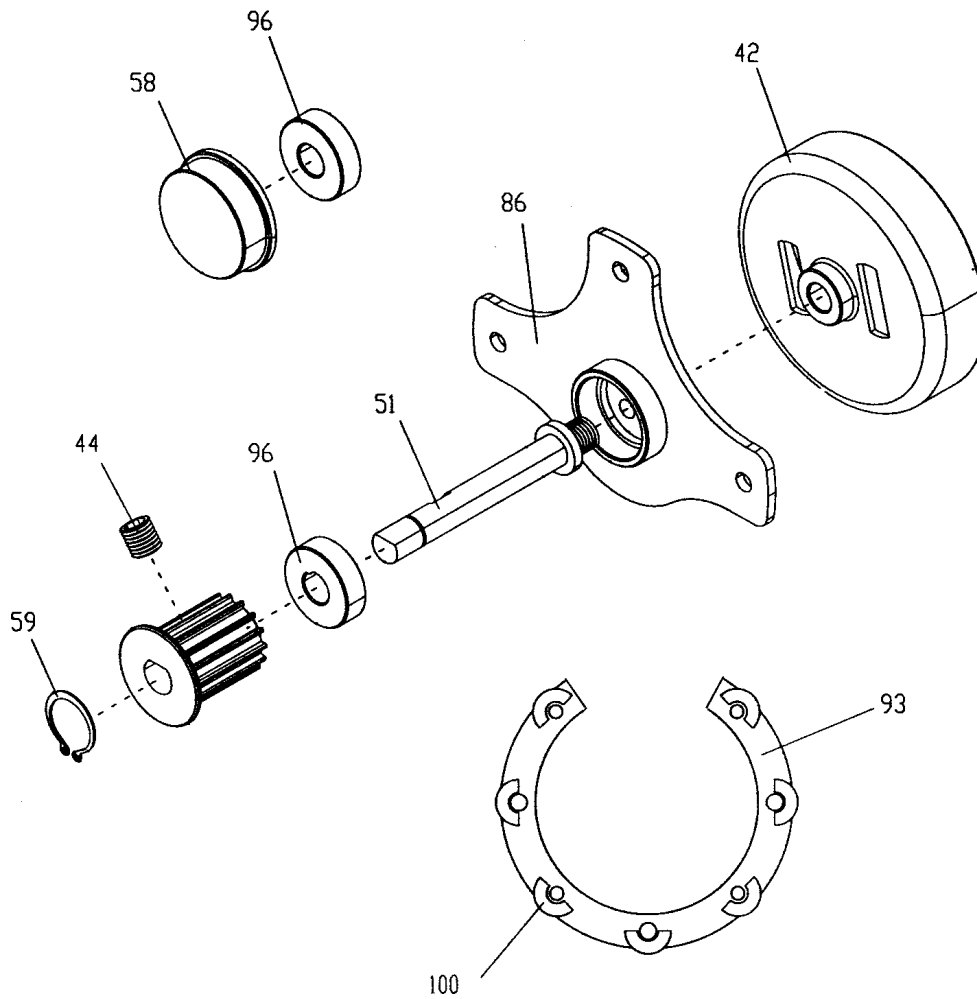
Custom Chrome Valve Caps  
Part #31256



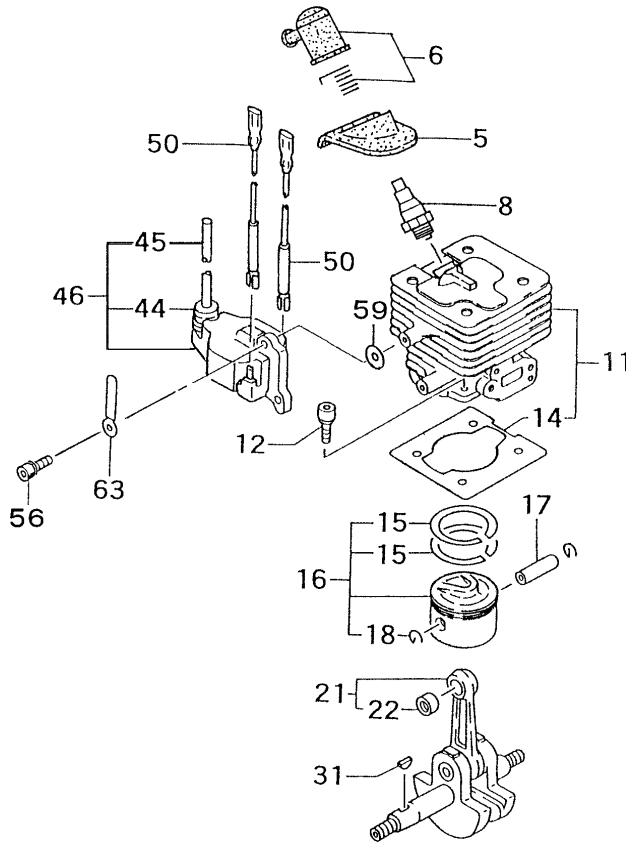
| ITEM    | PART NUMBER | DESCRIPTION             | QTY | COMMENTS |
|---------|-------------|-------------------------|-----|----------|
| 10-14   | 30821       | NUT,M8xP1.25            | 4   |          |
| 10-24   | 31100       | WASHER                  | 4   |          |
| 10-29   | 30880       | NUT,M10xP1.5            | 1   |          |
| 10-46   | 30891       | BOLT,AXLE 10x145        | 1   |          |
| 10-61   | 30830       | WASHER,SPRING M6        | 4   |          |
| 10-66   | 30881       | SCREW,REAR AXLE TENSION | 2   |          |
| 10-66-1 | 31679       | BASE,ADJUSTER           | 1   |          |
| 10-66-2 | 31680       | NUT,ADJUSTER            | 1   |          |
| 10-67   | 30886       | SPACER,REAR WHEEL,(L)   | 1   |          |
| 10-68   | 30884       | SPACER                  | 1   |          |
| 10-69   | 30823       | TIRE,10"                | 1   |          |
| 10-70   | 30825       | HUB,(WELD)              | 1   |          |
| 10-72   | 30887       | PULLEY,REAR DRIVE       | 1   |          |
| 10-74   | 30888       | GUARD,BELT              | 1   |          |
| 10-75   | 30889       | BOLT,6x20               | 4   |          |
| 10-76   | 30890       | SCREW                   | 4   |          |
| 10-77   | 30826       | BOLT,M8xP1.25x15        | 4   |          |
| 10-90   | 30883       | BEARING,6200-2RS        | 2   |          |
| 10-91   | 30822       | HUB,(5 HOLES)           | 1   |          |
| 10-102  | 30911       | TUBE,TIRE               | 1   |          |
| 10-103  | 30882       | SPACER,REAR WHEEL (R)   | 1   |          |



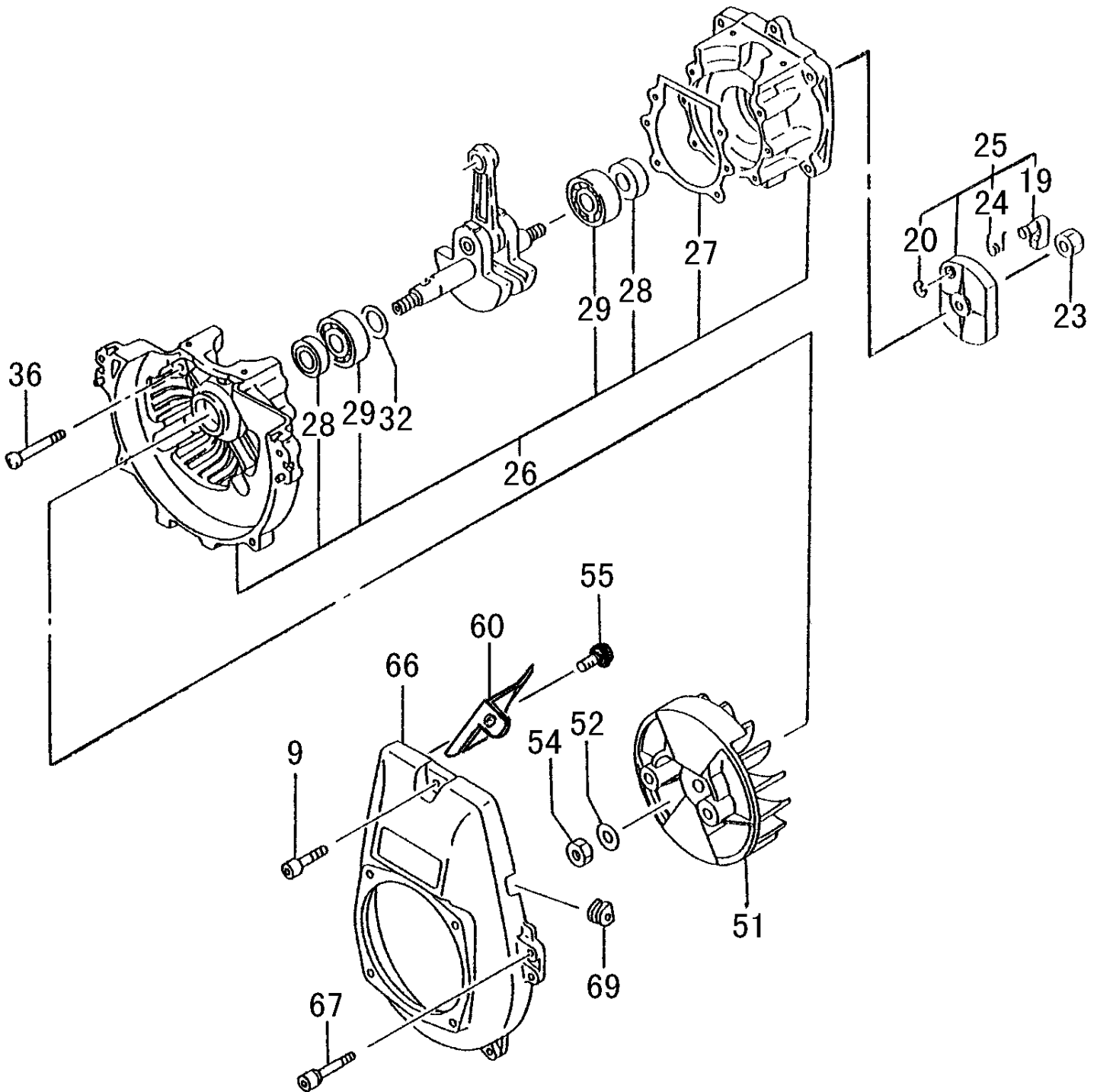
| ITEM  | PART NUMBER | DESCRIPTION      | QTY | COMMENTS |
|-------|-------------|------------------|-----|----------|
| 11-47 | 30834       | BEARING,6000-2RS | 2   |          |
| 11-50 | 30832       | SHAFT,T-796      | 1   |          |
| 11-54 | 30835       | GEAR,LARGE       | 1   |          |
| 11-59 | 30833       | RING,C           | 4   |          |



| ITEM   | PART NUMBER | DESCRIPTION      | QTY | COMMENTS |
|--------|-------------|------------------|-----|----------|
| 12-42  | 30836       | DRUM,CLUTCH      | 1   |          |
| 12-44  | 30839       | BOLT,M5xP0.8x5   | 1   |          |
| 12-51  | 30838       | SHAFT,CLUTCH     | 1   |          |
| 12-53  | 30840       | SPROCKET,(SMALL) | 1   |          |
| 12-58  | 30842       | HOLDER,BEARING   | 1   |          |
| 12-59  | 30841       | RING,C           | 1   |          |
| 12-86  | 30837       | PLATE,MOUNTING   | 1   |          |
| 12-93  | 30959       | MOUNTING RING    | 1   |          |
| 12-96  | 30834       | BEARING,6000-2RS | 2   |          |
| 12-100 | 30844       | WASHER,RUBBER    | 4   |          |



| ITEM | PART NUMBER | DESCRIPTION               | QTY | COMMENTS              |
|------|-------------|---------------------------|-----|-----------------------|
| 1-5  | 25504200200 | COVER, SPARK PLUG, RUBBER | 1   |                       |
| 1-6  | 15711666900 | CAP, SPARK PLUG ASS'Y     | 1   |                       |
| 1-8  | 01804075200 | PLUG, SPARK               | 1   |                       |
| 1-11 | 0010440590  | SET, CYLINDER             | 1   |                       |
| 1-12 | 99461050204 | BOLT, HEX, HOLE, 5X20, S  | 4   |                       |
| 1-14 | 0170440020  | GASKET, CYLINDER          | 1   |                       |
| 1-15 | 04104050200 | RING, PISTON              | 2   |                       |
| 1-16 | 0300440090  | SET, PISTON               | 1   |                       |
| 1-17 | 0370100020  | PIN, PISTON               | 1   |                       |
| 1-18 | 03905004200 | CIRCLIP, PISTON PIN       | 2   |                       |
| 1-21 | 0460440080  | CRANKSHAFT                | 1   |                       |
| 1-22 | 99962101004 | BEARING, NEEDLE, F1010B   | 1   |                       |
| 1-31 | 06802000200 | KEY, WOODRUFF, 3X13X5     | 1   |                       |
| 1-44 | 56020517200 | CAP, RUBBER               | 1   |                       |
| 1-45 | 1782054320  | CORD, HIGH TENSION        | 1   |                       |
| 1-46 | 1672054390  | ASSY, IGNITION COIL       | 1   |                       |
| 1-50 | 1790007080  | STOP CORD, 220MM          | 2   |                       |
| 1-56 | 99011040182 | SCREW, 4X18               | 2   | Before S/N U112140    |
| 1-56 | 99416040183 | SCREW 4X18/WS             | 2   | S/N U112141 and after |
| 1-59 | 1820186A201 | WASHER, SPECIAL           | 2   |                       |
| 1-63 | 19805015800 | CLAMP, CORD               | 1   |                       |

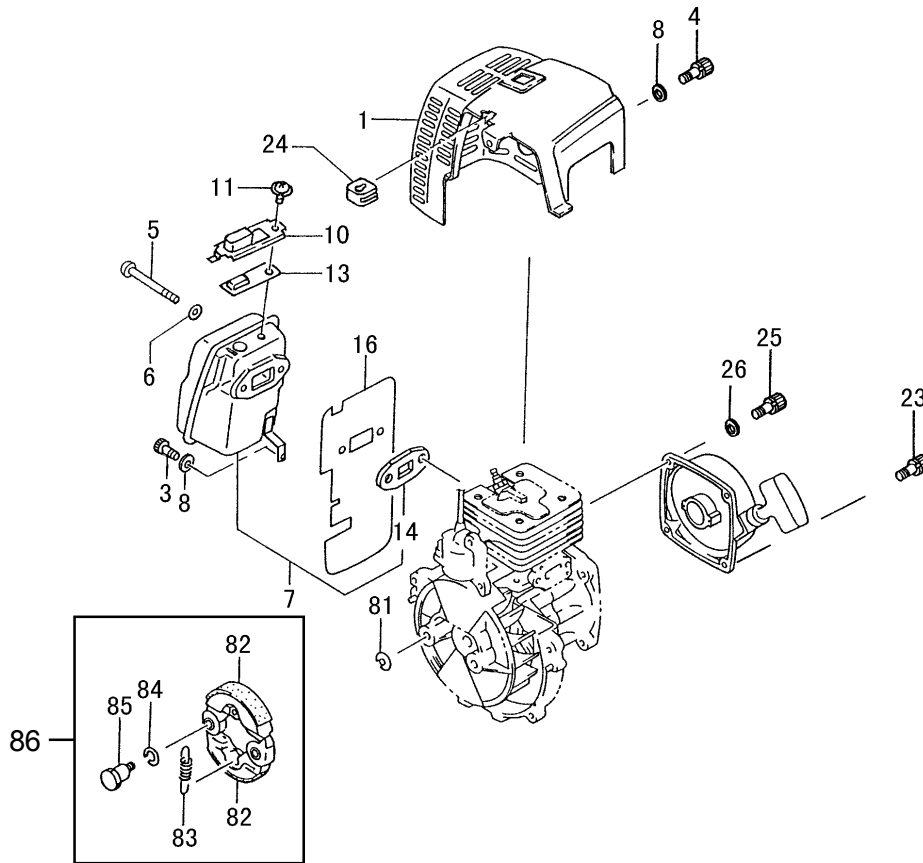


### CRANKCASE, FLYWHEEL, STARTER PULLEY • FIGURE 2

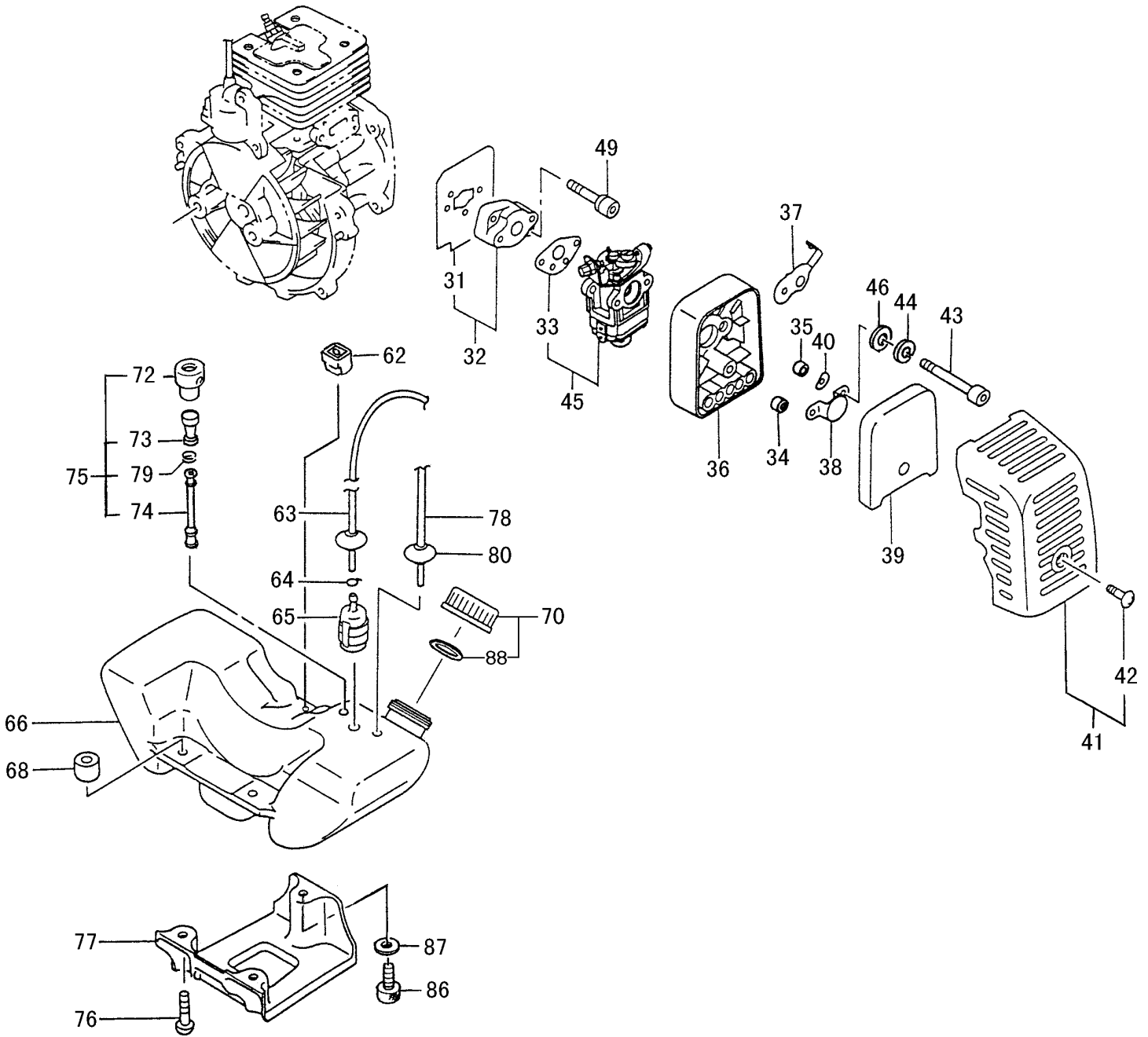
| ITEM | PART NUMBER | DESCRIPTION              | QTY | COMMENTS  |
|------|-------------|--------------------------|-----|---|
| 2-9  | 99463050204 | BOLT, HEX 5X20           | 1   |   |
| 2-19 | 7880162V20  | PAWL, STARTER            | 1   |   |
| 2-20 | 99355050000 | RING, STOP, 5            | 1   |   |
| 2-23 | 99111100013 | NUT, 10                  | 1   |   |
| 2-24 | 7900162V200 | SPRING, PAWL, STARTER    | 1   |   |
| 2-25 | 7980422090  | PAWL, STARTER ASS'Y      | 1   |   |
| 2-26 | 0720440090  | CASE, CRANK              | 1   | Before S/N U207704                                    |
| 2-26 | 0720440091  | CASE, CRANK              | 1   | S/N U207705 and after                                 |
| 2-27 | 0900440020  | GASKET, CRANKCASE        | 1   | *Crankcase assy includes bearings, seals and gaskets. |
| 2-28 | 99966152511 | SEAL, OIL, #VE 15X25X7   | 2   |   |
| 2-29 | 99961620200 | BEARING, BALL, #6202     | 2   |   |
| 2-32 | 07102007200 | SHIM, 15.2X20X.05        | V   | *Shims are "as needed" to obtain                      |
| 2-32 | 07102007210 | SHIM, 15.2X20X.10        | V   | correct side clearance                                |
| 2-32 | 07102007220 | SHIM, 15.2X20X.15        | V   |   |
| 2-32 | 07111600230 | SHIM, 16X21X.20          | V   |   |
| 2-32 | 07111600240 | SHIM, 16X21X.30          | V   |   |
| 2-36 | 99461050304 | BOLT, HEX, 5X30S         | 4   |   |
| 2-51 | 1552053880  | ROTOR, MAGNETO           | 1   |   |
| 2-52 | 99201100011 | WASHER, 10               | 1   |   |
| 2-54 | 99101100011 | NUT, 10                  | 1   |   |
| 2-55 | 99414050101 | SCREW, S, 5X10           | 1   |   |
| 2-60 | 1320440020  | DEFLECTOR, AIR           | 1   |   |
| 2-66 | 1120440021  | CASE, FAN (ORANGE)       | 1   |   |
| 2-66 | 1120441321  | CASE, FAN (POLISHED)     | 1   |   |
| 2-67 | 99461050204 | BOLT, HEX, HOLE, 5X20, S | 4   |   |
| 2-69 | 20311660200 | GROMMET, PRIMARY CORD    | 1   |   |



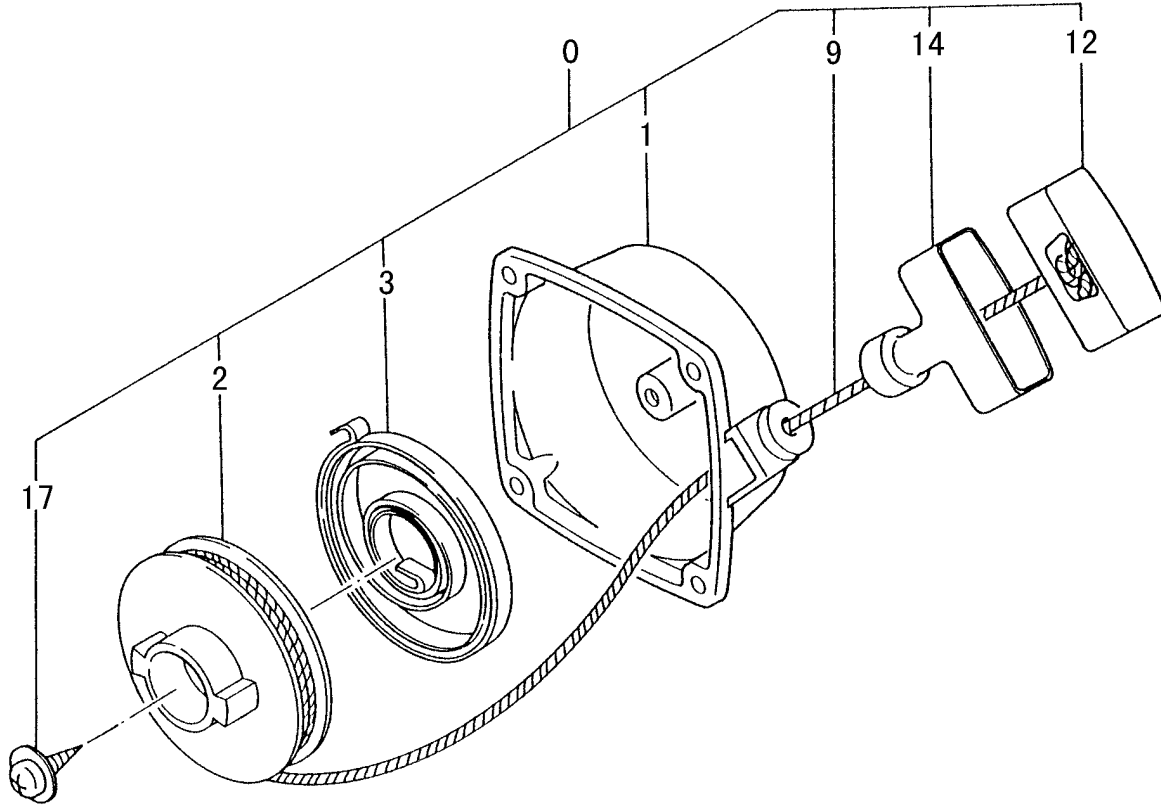
### MUFFLER, MUFFLER COVER • FIGURE 3



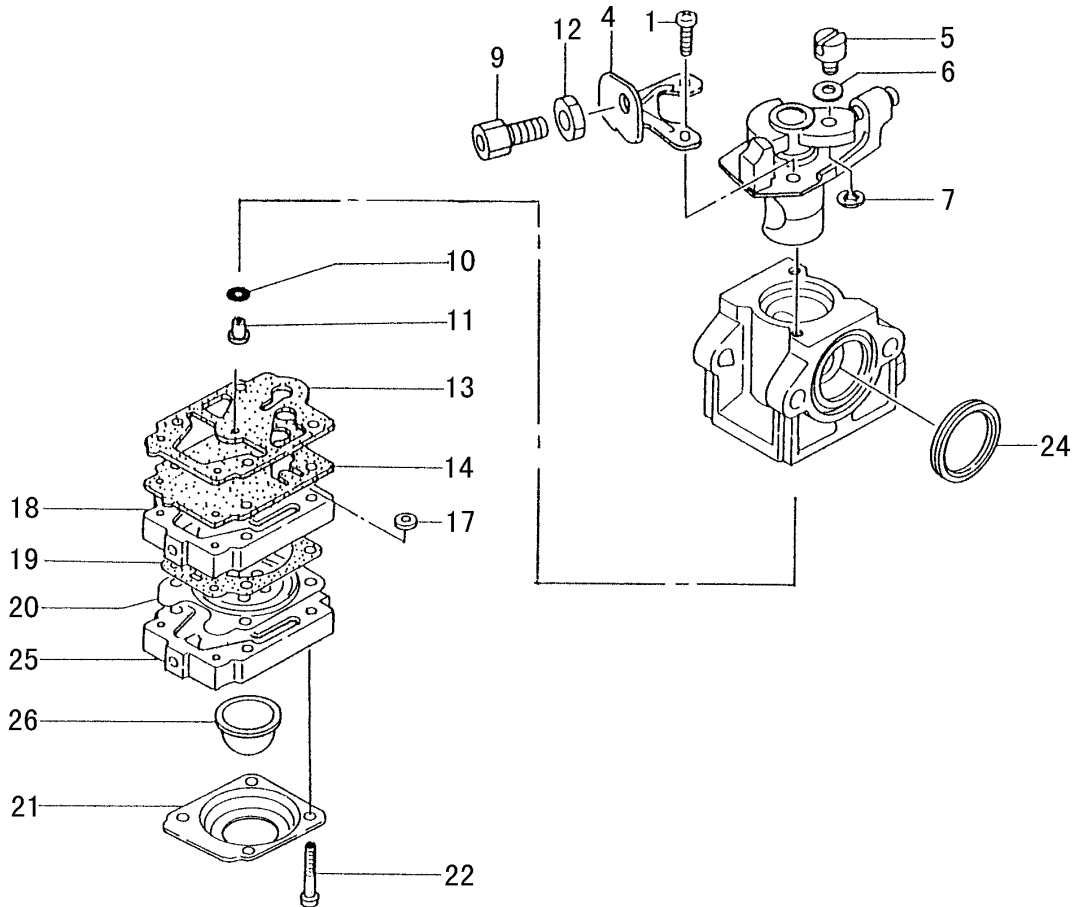
| ITEM | PART NUMBER | DESCRIPTION         | QTY | COMMENTS              |
|------|-------------|---------------------|-----|-----------------------|
| 3-1  | 7380440A21  | PROTECTOR,MUFFLER   | 1   |                       |
| 3-3  | 99461050124 | BOLT,HEX,5X12S      | 1   |                       |
| 3-4  | 99461050164 | BOLT,HEX,5X16,S     | 1   | Before S/N U207704    |
| 3-5  | 99053060653 | SCREW,HEX,6X65      | 2   |                       |
| 3-6  | 99201060011 | WASHER,6            | 2   |                       |
| 3-7  | 7040440090  | SET,MUFFLER         | 1   |                       |
| 3-8  | 99201050061 | WASHER,5            | 2   | Before S/N U207704    |
| 3-8  | 99201050061 | WASHER,5            | 1   | S/N U207705 and after |
| 3-10 | 7210440020  | PIPE,TAIL           | 1   |                       |
| 3-11 | 99434040081 | SCREW,4X8/S         | 1   |                       |
| 3-13 | 7320440020  | ARRESTER,SPARK      | 1   |                       |
| 3-14 | 73704230200 | GASKET,MUFFLER      | 1   |                       |
| 3-16 | 1330440020  | SHIELD,HEAT         | 1   |                       |
| 3-23 | 99463050204 | BOLT, HEX 5X20      | 4   | Before S/N U207704    |
| 3-23 | 99463050204 | BOLT, HEX 5X20      | 2   | S/N U207705 and after |
| 3-24 | 2030604A202 | GROMMET             | 1   |                       |
| 3-25 | 99461050254 | BOLT,HEX HOLE,5X25S | 2   | S/N U207705 and after |
| 3-26 | 99201050061 | WASHER,5            | 2   | S/N U207705 and after |
| 3-81 | 35910112203 | WASHER,CLUTCH B     | 2   |                       |
| 3-82 | 2900420081  | SHOE,CLUTCH         | 2   |                       |
| 3-83 | 34204200200 | SPRING,CLUTCH       | 1   |                       |
| 3-84 | 99204100030 | WASHER,WAVE,10      | 2   |                       |
| 3-85 | 35704201200 | BOLT,CLUTCH STEP    | 2   |                       |
| 3-86 | 30790       | CLUTCH ASS'Y        | 1   |                       |



| ITEM | PART NUMBER | DESCRIPTION             | QTY | COMMENTS              |
|------|-------------|-------------------------|-----|-----------------------|
| 4-31 | 4030430020  | GASKET,INLET MANIFOLD   | 1   |                       |
| 4-32 | 4040430090  | SET,CARB INSULATOR      | 1   |                       |
| 4-33 | 4020430020  | GASKET,CARBURETOR       | 1   |                       |
| 4-34 | 4530637C200 | COLLAR                  | 1   |                       |
| 4-35 | 4700138020  | COLLAR,CLEANER          | 1   |                       |
| 4-36 | 4230138082  | BODY,CLEANER            | 1   |                       |
| 4-37 | 5280138021  | VALVE,CHOKE             | 1   |                       |
| 4-38 | 47601700200 | BOARD,BLOW OVER CHECK   | 1   |                       |
| 4-39 | 4460138020  | ELEMENT,CLEANER         | 1   |                       |
| 4-40 | 99204080030 | WASHER,8                | 1   |                       |
| 4-41 | 4520138091  | COVER,CLEANER,ASSY      | 1   |                       |
| 4-42 | 3800637C200 | BOLT,CLEANER COVER      | 1   |                       |
| 4-43 | 99011050602 | SCREW,5X60              | 2   |                       |
| 4-44 | 99210050012 | WASHER,S,5              | 2   |                       |
| 4-45 | 4550440090  | CARBURETOR              | 1   |                       |
| 4-46 | 78600601200 | WASHER,RECOIL STARTER   | 2   |                       |
| 4-49 | 99416050253 | BOLT,HEX HOLE,5X25WS    | 2   |                       |
| 4-62 | 6490168020  | COLLAR,TANK FIXING      | 1   | S/N U207705 and after |
| 4-63 | 22301251901 | PIPE,FUEL,3X5X230       | 1   |                       |
| 4-64 | 68000731201 | CLIP 6.3                | 1   |                       |
| 4-65 | 67501630900 | FILTER,FUEL             | 1   |                       |
| 4-66 | 5910440021  | TANK,FUEL (ORANGE)      | 1   |                       |
| 4-66 | 5910441321  | TANK,FUEL (WHITE)       | 1   |                       |
| 4-68 | 6590430020  | COLLAR C                | 3   |                       |
| 4-70 | 5950656B90  | CAP,FUEL BLACK,NON VENT | 1   |                       |
| 4-73 | 6463252L90  | AIR VENT VALVE ASSY     | 1   |                       |
| 4-74 | 5650440020  | PIPE,AIR VENT           | 1   |                       |
| 4-75 | 5640661190  | VENT,AIR ASSY           | 1   |                       |
| 4-76 | 99463050204 | BOLT, HEX 5X20          | 3   | Before S/N U207704    |
| 4-76 | 99463050204 | BOLT, HEX 5X20          | 2   | S/N U207705 and after |
| 4-77 | 9400430020  | STAND,ENGINE            | 1   |                       |
| 4-78 | 70003005100 | PIPE,FUEL,3X5X100       | 1   |                       |
| 4-79 | 68000206200 | CLIP,5.5                | 1   |                       |
| 4-80 | 22206300200 | GROMMET,FUEL PIPE       | 1   |                       |
| 4-86 | 99461050304 | BOLT,HEX,5X30S          | 1   | S/N U207705 and after |
| 4-87 | 99201050061 | WASHER,5                | 1   | S/N U207705 and after |
| 4-88 | 6420608A200 | GASKET,TANK CAP         | 1   |                       |



| ITEM | PART NUMBER | DESCRIPTION          | QTY | COMMENTS |
|------|-------------|----------------------|-----|----------|
| 5-0  | 7620422090  | STARTER,RECOIL ASS'Y | 1   |          |
| 5-1  | 7720422080  | BODY,RECOIL STARTER  | 1   |          |
| 5-2  | 7690422020  | REEL,STARTER ROPE    | 1   |          |
| 5-3  | 7790422020  | SPRING,RECOIL        | 1   |          |
| 5-9  | 7830422020  | ROPE,STARTER         | 1   |          |
| 5-12 | 8350422020  | CAP,HANDLE           | 1   |          |
| 5-14 | 7850422020  | HANDLE,STARTER       | 1   |          |
| 5-17 | 8390422020  | SCREW,SET            | 1   |          |



| ITEM | PART NUMBER | DESCRIPTION        | QTY | COMMENTS                       |
|------|-------------|--------------------|-----|--------------------------------|
| 6-0  | 4550440090  | SET,CARBURETOR     | 1   | Includes carburetor gasket     |
| 6-1  | 51425100200 | SCREW,THROTTLE SET | 2   |                                |
| 6-4  | 54425164200 | STAY,ADJUST,CABLE  | 1   |                                |
| 6-5  | 53925120200 | SWIVEL             | 1   |                                |
| 6-6  | 5492516520  | WASHER,THRUST      | 1   | ~ Contained in Carb Repair Kit |
| 6-7  | 48925100200 | RING,STOP          | 1   | P/N 650-25124-900              |
| 6-9  | 61425137200 | ADJUSTER,CABLE     | 1   | (Not available individually)   |
| 6-10 | 55025100200 | O-RING             | 1   |                                |
| 6-11 | 5992001W44  | JET,MAIN,LONG,#44  | 1   |                                |
| 6-12 | 99101060013 | NUT,6              | 1   |                                |
| 6-13 | ~ ~ ~       | GASKET,PUMP        | 1   |                                |
| 6-14 | ~ ~ ~       | DIAPHRAGM,PUMP     | 1   |                                |
| 6-17 | 57825007200 | SCREEN,INLET       | 1   |                                |
| 6-18 | 5752515380  | BODY,PUMP          | 1   |                                |
| 6-19 | ~ ~ ~       | GASKET,DIAPHRAGM   | 1   |                                |
| 6-20 | ~ ~ ~       | DIAPHRAGM,METERING | 1   |                                |
| 6-21 | 4762515120  | COVER,DIAPHRAGM    | 1   |                                |
| 6-22 | 5482515120  | SCREW,SET          | 4   |                                |
| 6-24 | 4310634C200 | GASKET,CLEANER     | 1   |                                |
| 6-25 | 4422515180  | PUMP,PRIMING       | 1   |                                |
| 6-26 | 44725108200 | BULB,PRIMING       | 1   |                                |

**Belt Adjustment**



**Figure 15**

The Moby PowerBoard uses a dual stage, belt driven system to transmit power to the rear wheel. Belts should be regularly inspected for adjustment. Both belts are adjusted with two procedures.

Tighten both belt adjusters on either side of the frame (**Fig. 15**) in equal increments until the small belt has approximately ½ inch of play when measured between the pulleys.

Next, loosen the rear axle lock nut, using a 17mm wrench or socket. Adjust the tension in the larger belt by using the rear wheel adjusters located at the rear of the frame, behind the wheel (**Fig. 16**). The belt should have approximately ½ inch of play. Make sure that the wheel is lined up in the center of the frame.

After adjustment, test ride the unit for a short distance to ensure that the belts ride in the center of their pulleys. If they tend to ride on one side of the pulley(s), adjust the opposite side adjuster until the belt centers on the pulley, being careful to maintain the correct belt tension.



**Figure 16**

**Belt Replacement**



**Figure 17**

Both drive belts carry a similar load, and should wear at a very similar rate. If one of the belts should break or one or both appear worn to the point of needing replacement, it may be preferable to replace both belts simultaneously, as the repair is somewhat involved.



**Figure 18**

To replace the belts begin by removing the air cleaner cover, and disconnect the throttle wire and stop cord wire from engine.

Next, remove the 2 top engine mount bolts with their spacers, as well as the fender (**Fig. 17**).

Loosen and remove the belt tension adjuster from the left side of the frame, as well as the three screws that secure the left hand side plate to the frame (**Fig. 18**)



**Figure 19**

With the side plate removed, it is possible to remove both belts from the frontward pulleys. Inspect the pulleys (**Fig. 19**) to ensure that they are not damaged. Also, inspect the bearings on the pulley shaft as well as the support bearing that rides in the side plate. If integrity of any bearings are questionable – install new ones.

If it is necessary to replace the large, rear belt, it will require that the rear wheel be completely removed.

Carefully position new belt(s). Note that the lower section of the large, rear belt must ride on top of the idler arm ( with two ball bearings in tandem), protruding from the side plate.

Carefully adjust the tension of the belts as indicated in the previous section.