

Installation and Operation Instructions for

Vented Gas Log Sets

Model OD24SHKN/P



GAS-FIRED



DECORATIVE GAS APPLIANCE FOR INSTALLATION IN ODSR36/42A FIREPLACES

WARNING

IF THE INFORMATION IN THIS MANUAL IS NOT FOLLOWED EXACTLY, A FIRE OR EXPLOSION MAY RESULT, CAUSING PROPERTY DAMAGE, INJURY, OR LOSS OF LIFE.

FOR YOUR SAFETY:

DO NOT STORE GASOLINE OR OTHER FLAMMABLE VAPORS OR LIQUIDS NEAR THIS OR ANY OTHER APPLIANCE.

WHAT TO DO IF YOU SMELL GAS:

- SHUT OFF ALL GAS TO THE APPLIANCE.
- DO NOT TRY TO LIGHT ANY APPLIANCE; EXTINGUISH ANY OPEN FLAME
- IMMEDIATELY PHONE YOUR GAS SUPPLIER FROM A NEIGHBOR'S PHONE. FOLLOW THE SUPPLIER'S INSTRUCTIONS.
- IF YOU CANNOT REACH THE GAS SUPPLIER, PHONE THE FIRE DEPARTMENT.

ATTENTION

INSTALLATION AND SERVICE MUST BE PERFORMED BY A QUALIFIED AGENCY, INDIVIDUAL, FIRM, CORPORATION, OR COMPANY, EXPERIENCED IN THE INSTALLATION, REPAIR, AND SERVICING OF THIS TYPE OF GAS APPLIANCE. DO NOT MODIFY, ALTER OR TAMPER WITH ANY PART OF THIS HEATER, CONTROL, OR LOGS.

INSTALLER PLEASE NOTE:

DO NOT BEGIN INSTALLATION OF THIS GAS LOGSET UNTIL ALL INSTRUCTIONS HAVE BEEN READ AND UNDERSTOOD.

OWNER PLEASE NOTE:

READ THESE INSTRUCTIONS AND FOLLOW THE WARNINGS.

Certified as:

CSA 7.94 U.S. manually lighted decorative gas appliance for installation in solid fuel burning fireplaces and the applicable requirements of UL127 factory-suit fireplaces.

CFM Specialty Home Products

410 Admiral Blvd. • Mississauga, Ontario, Canada L5T 2N6 • 905-670-7777
www.majesticproducts.com • www.vermontcastings.com

SAVE THIS MANUAL FOR FUTURE REFERENCE

WARNING

Improper installation, adjustment, alteration, service or maintenance can cause injury or property damage. Read these directions thoroughly before installation. For assistance or additional information, consult your gas log dealer, qualified installer, service agency or gas supplier.

WARNING

If not installed, operated, and maintained in accordance with the manufacturer's instructions, this product could expose you to substances in fuel or fuel combustion which are known to the State of California to cause cancer, birth defects, or other reproductive harm.

WARNING

Young children are not allowed to operate this unit and must be supervised when they are in the same area as the appliance.

INSTALLATION PRECAUTIONS

Fireplace damper **MUST** be locked fully open when operating the gas log set.

If the fireplace has glass doors, **operate gas log set only with doors fully opened**. The fireplace screen must be in place when the appliance is operating and, unless other provisions for combustion air are provided, the screen shall have an opening(s) for introduction of combustion air.

The log set and its individual shut-off valve **MUST** be isolated from the gas supply piping system by closing its individual shut-off valve during any pressure testing of gas supply at test pressures equal to or less than 1/2 psig.

The log set and its individual shut-off valve **MUST** be disconnected from the gas supply piping system during any pressure testing of that system at test pressures in excess of 1/2 psig.

Keep the gas log set clear and free from combustible materials, gasoline and other flammable vapors and liquids.

Proposition 65 Warning: Fuels used in gas, wood-burning or oil fired appliances, and the products of combustion of such fuels, contain chemicals known to the State of California to cause cancer, birth defects and other reproductive harm.
California Health & Safety Code Sec. 25249.6

General Information

In order to assure a safe and effective installation, only a qualified service person who is familiar with the building codes and installation techniques appropriate to your area may install and service this appliance.

The Logsets have been designed and tested to operate safely when installed according to the installation instructions contained in this manual. Read all instructions before starting the installation.

- For outdoor use only.
- The logset should be inspected before use and at least annually thereafter. More frequent cleaning may be necessary because of excessive lint from carpeting or bedding material.
- In the United States, the installation and operation must conform to local codes or, in the absence of local codes, with the National Fuel Gas Code, ANSI Z223.1/NFPA 54, latest edition, CSA B149.1 Installation Code, and with the National Electrical Code, ANSI/NFPA70 (latest edition).
- The gas logset and its individual shutoff valve must be disconnected from the gas supply piping system during any pressure testing of that system at test pressures in excess of 1/2 p.s.i.g. (3.5 kPa) The gas logset must be isolated from the gas supply piping system by closing its individual manual shutoff valve during any pressure testing of the gas supply piping system at test pressures equal to or less than 1/2 p.s.i.g. (3.5 kPa)
- Do not, under any circumstances, burn solid fuel (wood, paper, coal) in the fireplace where you have installed your logset. Do not use it for cooking. Put nothing on top of the logs.
- The logset **must** be compatible with its fuel. Natural gas requires different hardware than propane. Never attempt to use natural gas with a propane logset or vice versa.
- For a propane burning logset, the supply tank must include a high to low gas pressure regulator. The tank **must** be outdoors. Do not, under any circumstances, locate supply tanks inside any structure.
- The fireplace **must** include a screen made of chain mesh or a similar material. You must keep the screen closed at all times during the operation of the logset; it will protect you in the event of an explosion.

- **WARNING:** If the fireplace contains glass doors, they **must** remain open at all times during the operation of the logset, allowing combustion air to circulate.
- In order to avoid any possible gas leaks, apply pipe joint compound to all non-flared threaded connections involved in this installation. For propane, the joint compound must be resistant to the corrosive action of propane.
- To check for leaks, always use a soapy water solution or a sniffer. **Never** test by using an open flame.
- The area around the gas logset **must** be free of all combustible materials, especially gasoline or other highly flammable, vapor producing liquids.
- Due to high temperatures, locate this logset away from both high traffic areas and furniture and draperies.
- Children and adults alike should be aware of the high surface temperatures; to avoid the risk of burns or ignition of clothing they should stay away.
- Do not touch any part of the logset other than the controls while it is operating or immediately after you turn it off.
- Supervise young children and pets carefully when they are in the area where the logset is operating.
- Do not place clothing or other flammable material on or near the logset.
 - Make sure that any safety screen or guard, removed during servicing, has been replaced before you use the logset.
- It is imperative that you keep clear all burner areas, control compartments and passageways for circulating air.
- Do not move the logset in any way that might dislodge the logs from their fixed positions. If you bump the logset check to see if you have dislodged anything.
- Provide adequate clearances around air openings into the combustion chamber and adequate accessibility clearance for servicing and proper operation. **NEVER** obstruct the front opening of the fireplace.

Pre-Installation Checklist	Yes	No
Is the gas type you are using the same as the gas type listed on the rating plate for this appliance?		
Does the firebox meet the minimum size dimensions below?		
Is the gas supply inlet pressure correct? Refer to Table below.		
Is your fireplace plumbed with gas on the right side (facing) of the fireplace? If not, refer to page 5.		
Is the gas supply line sized properly (Minimum 1/2" Iron pipe)?		
Do you have a solid fuel (wood burning) fireplace with a vented flue?		
Do you have a manual gas supply valve installed at your fireplace? If not, a licensed plumber, gas company technician or other qualified installer must install one:		
Have you checked local building codes? (Check with your local building department)		
Does your fireplace have a wire mesh screen in place?		

CAUTION: If you answered "NO" to any item, or have any questions regarding your installation, please contact your dealer/distributor for assistance.

Minimum Clearances & Specifications

Natural Gas Units

Gas Log Set Size	Input Btu/hr	Minimum Firebox Dimensions				Minimum Flue Size	Gas Supply Pressure	
		Width		Depth	Height		Minimum	Maximum
		Back	Front					
24"	90,000	27"	36"	18"	18"	51 sq.in.	3.5" w.c.	7.0" w.c.

Propane Gas Units

Gas Log Set Size	Input Btu/hr	Minimum Firebox Dimensions				Minimum Flue Size	Gas Supply Pressure	
		Width		Depth	Height		Minimum	Maximum
		Back	Front					
24"	50,000	27"	36"	18"	18"	51 sq.in.	11.0" w.c.	14.0" w.c.

Tools Required

8" adjustable crescent wrench; Pipe thread sealant compound or teflon tape; 12" pipe wrench or channel lock pliers.

Connection to Gas Supply

NOTE: For Natural and Propane gas, you must have a manual shutoff at the fireplace.

1. Place the burner pan in the fireplace. Pull the grate so the back side of the hearth brick pulls up (1, Fig. 1) enough for you to tilt the grate up (2, Fig. 1) to slide the pan underneath. (3, Fig. 1) The burner should be located several inches from the backwall, centered left to right.

NOTE: This is for burner connection purposes only. Exact burner placement will be covered on Page 7, after all connections have been made.

3. Attach the Gas Supply Fitting onto your fireplace's gas supply pipe, as shown in Figure 2.

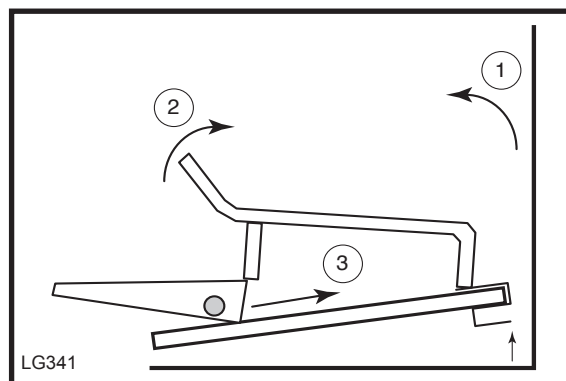


Fig. 1 Pull back of grate and hearth brick up, tilt front of grate up and slide burner pan under.

4. Attach one end of the Flexible Gas Connector to the brass Burner Inlet Fitting which has been factory installed into the burner.

5. Attach the other end of the Gas Connector to the flared side of the Gas Supply Fitting.

Remember to use pipe thread sealant or teflon tape only on the straight pipe threads. Do not use on any flared ends.

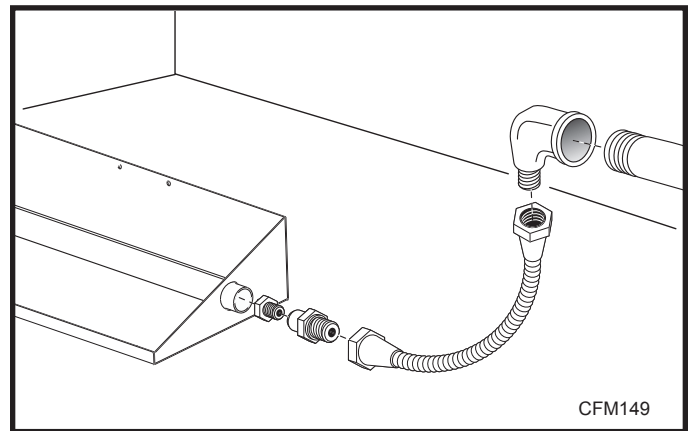


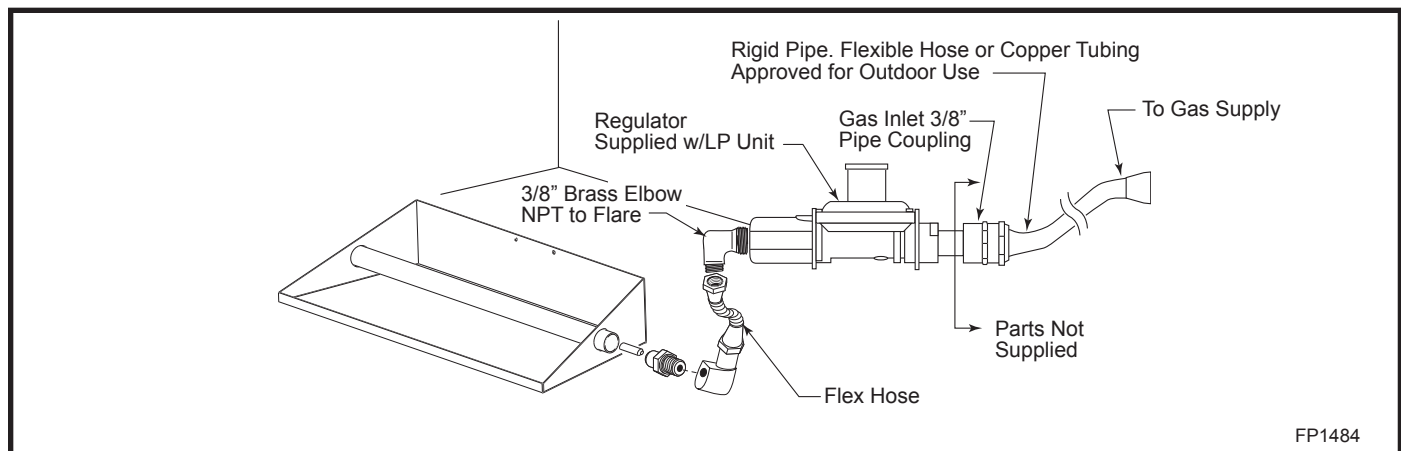
Fig. 2 Natural gas connection.

CFM149

Gas Plumbed on Left Hand Side of Fireplace

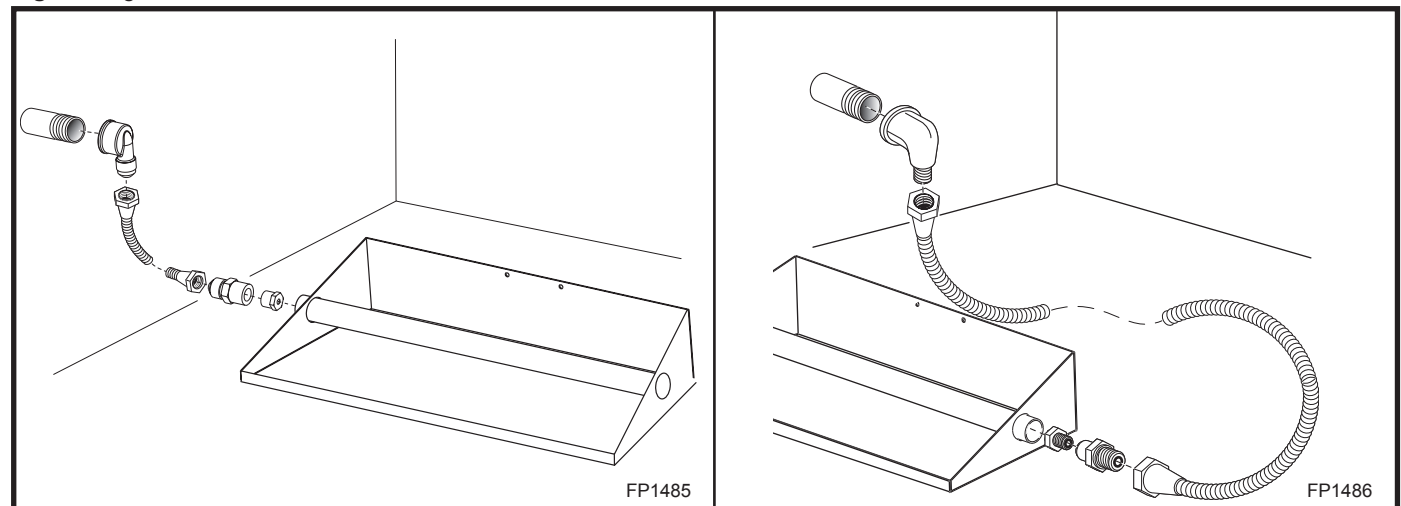
NOTE: Your gas log set is assembled at the factory to be installed in a fireplace plumbed with the gas on the right side (facing). If your fireplace is plumbed with the gas on the left side remove fittings on right and left side of straight burner tube and switch sides, at the same time put front burner tube on right side with the elbow fitting. (Refer to Figs. 3,4)

You may also run a flexible connector (or as per local codes) along the back wall of the fireplace to bring your gas line to the right hand side. You can then place the set in front of the flexible connector. (Fig. 4)



FP1484

Fig. 3 LP gas connection.



FP1485

FP1486

Fig. 4 Alternate left side gas connection.
20007967

Leak Test Procedures

After connecting the gas supply, test for leaks. Use a 50/50 solution of liquid soap and water to test for leaks at gas fitting and joints. Apply water/soap solution with brush only - do not over apply. **NEVER test with an open flame.**

WARNING: DO NOT USE AN OPEN FLAME TO TEST FOR LEAKS!

NOTE: Always perform a leak test any time the appliance has been moved or disconnected from the gas supply line.

Damper Stop Installation

The Damper Stop provided keeps your damper from accidentally closing during operation of your set. **This Damper Stop must be installed onto your Damper at all times. NOTE: The damper clamp is designed to hold the damper plate open 3 inches. However, the damper must be fully open when the log set is in operation.**

Install the Damper Stop onto the edge of the damper plate. Attach by securing the bolt provided to the damper plate with an adjustable wrench. (Fig. 5)

If the Damper Stop does not fit, drill a 1/4" hole into the damper plate and install an anchor bolt with nut, at a 90 degree angle, so that the damper plate will remain fully open.

The proper finished installation of the Damper Stop is shown in Figure 6. If the bolt fails to block the damper in an open position, the damper should be removed from the chimney.

To check your vent for proper drafting: Light a tightly rolled newspaper on one end and place it at the inside front edge of the fireplace. Observe the smoke and be sure the vent is properly drawing it up the chimney. If the smoke is drawn back into the room, extinguish the flame and remove any obstruction until proper venting is achieved. If that fails, check with a qualified chimney sweep.

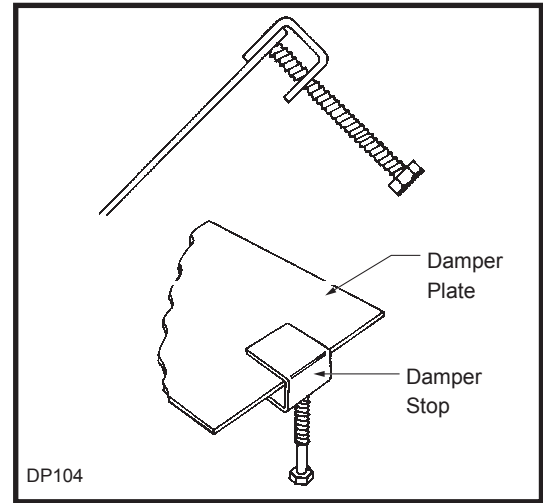


Fig. 5 Attach damper clamp.

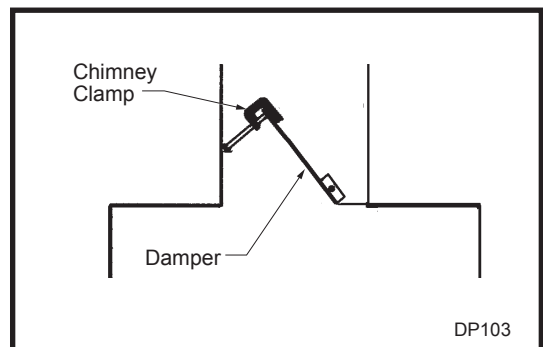


Fig. 6 Damper clamp installation.

Grate Placement

Grate Assembly

Place grate assembly over top of burner so the front middle leg of the grate is $1\frac{1}{2}$ " back from the front edge of the main burner pan assembly. (Fig. 7)

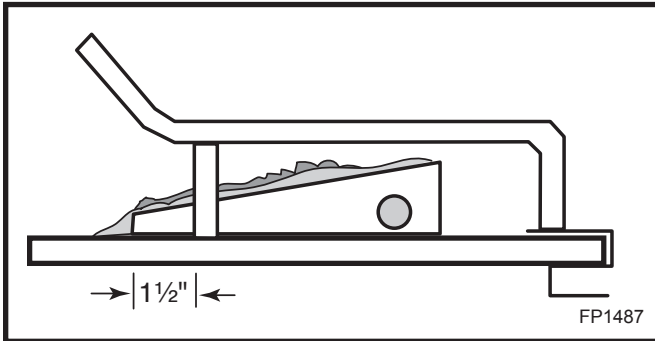


Fig. 7 Grate placement.

Add Pan Material

1. With burner pan and grate in place, open the bag of lava rock and spread it evenly across the pan assembly to the top of the pan assembly. (Fig. 8)
2. Open one bag of glowing embers and place evenly across burner covering lava rock. (Fig. 9)
3. Slide the mesh screen under the grate, but on top of glowing embers so the mesh piece covers the burner pan material. (Fig. 10)
4. Open remaining bag of embers and place evenly on top of mesh screen. (Fig. 10)
5. Spread lava rock onto fireplace hearth around the burner pan for decorative purposes. (Fig. 11)

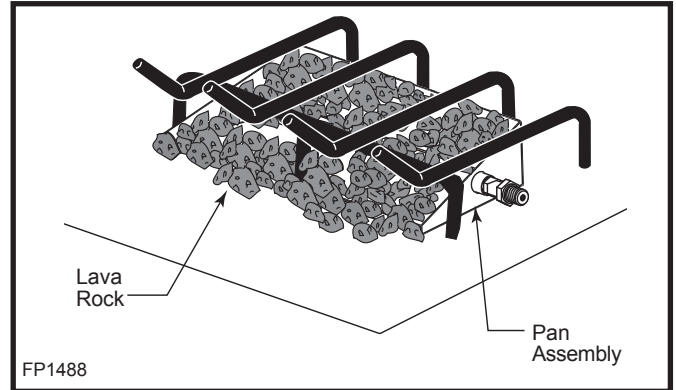


Fig. 8 Lava rock placement.

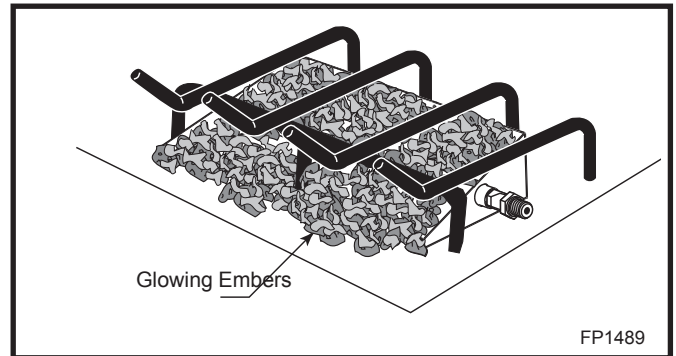


Fig. 9 Ember placement.

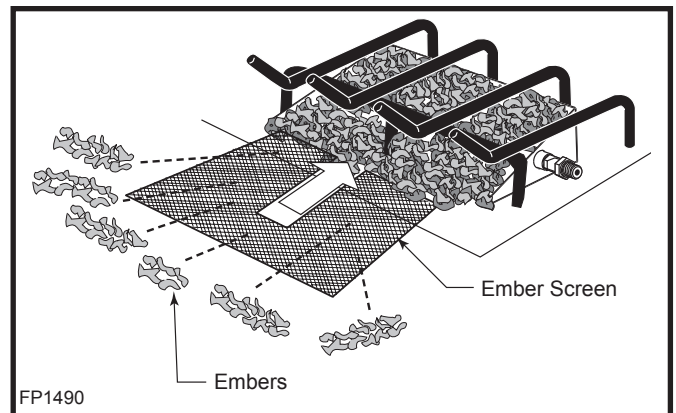


Fig. 10 Screen and ember placement.

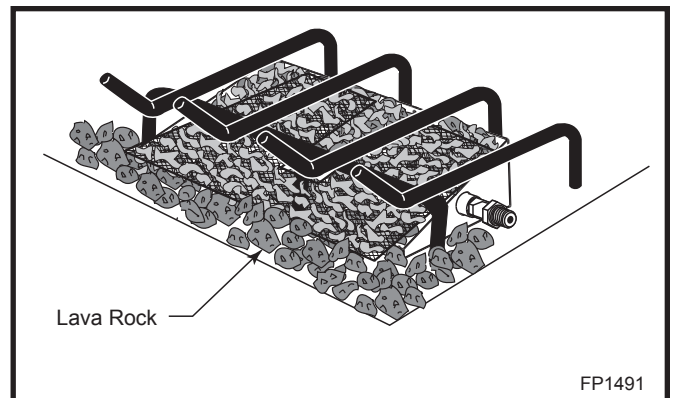


Fig. 11 Place lava rock on fireplace hearth for decoration.

Log Placement

1. Place the larger bottom logs (longer log in back, shorter (2) logs in front) onto the grate, leaving as much space between them as possible. (Fig. 12)

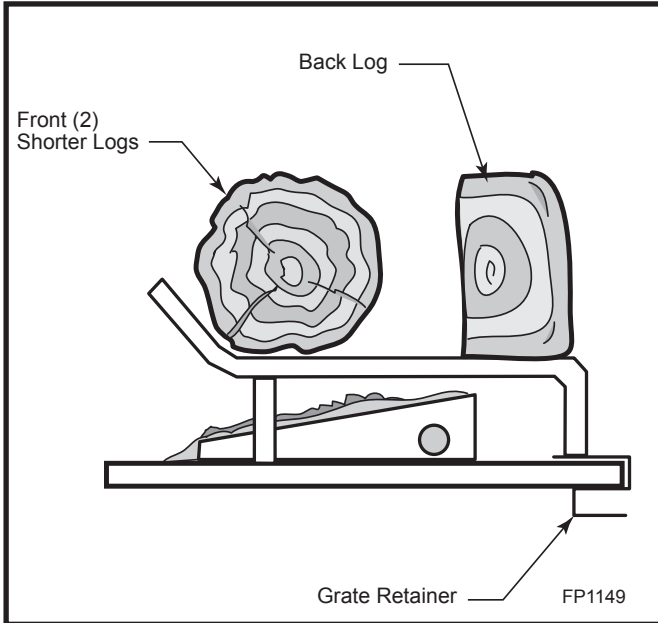


Fig. 12 OD24SHK log placement.

2. Next, place the smaller top logs diagonally onto the bottom logs, so that the logs are in notches provided. (Fig. 13)



Fig. 13 OD24SHK log set.

Optional Glass Door Set

The optional glass door set is for weather exposure protection of gas logs for the ODSRA Series fireplaces.

CAUTION: The glass doors must be fully open when operating the gas log set.

Unit	Model
ODSR36A	36GDKSSSR
ODSR42A	42GDKSSSR

For Your Safety Read Before Lighting

WARNING: If you do not follow these directions exactly, a fire or explosion may result causing property damage, personal injury, or loss of life.

What To Do If You Smell Gas

- Do not try to light any appliance.
- Do not touch any electrical switch, do not use any phone in the immediate area.
- Immediately call your gas supplier from a neighbor's phone. Follow the gas supplier's instructions.
- If you cannot reach your gas supplier, call the fire department.

Lighting Instructions

1. Turn the gas shut-off valve to OFF.
2. Wait five (5) minutes to clear out any gas. If you then smell gas STOP! Follow the safety information above. If you don't smell gas, go on to the next step.
3. Light a match and lay it on top of the pan material, about 2" from the end of the supply side of the pan. (Fig. 14)
4. Slowly turn the gas shut-off valve ON until the burner ignites. If the burner doesn't ignite within ten (10) seconds with the match burning, turn the shut-off valve OFF and repeat steps 1 through 4 again.

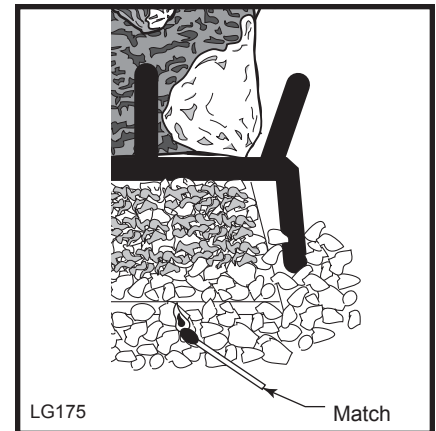



Fig. 14 Lighting the log set.

WARNING: Flame may flare up when ignited. Keep hands and face away from firebox.

Operation and Maintenance

To Adjust the Flame:

Adjust the flame to the desired level by rotating the gas valve counterclockwise to open or clockwise  to close.

To Turn the Appliance Off:

Rotate the gas shut-off valve clockwise  to off.

Proper Maintenance:

- Keep the area around the log set clean and clear of debris.
- Occasionally, you may use a soft bristle brush to clean logs.
- Once every year, a qualified agency or certified chimney sweep should examine and clean the venting system of the fireplace in which the log set is installed.

Appliance Break-in

During the 2-3 hour appliance break-in period, you may detect an odor from the appliance as the various water-based paints used in the manufacture of this log set cure. This is a normal and temporary situation that is not a cause for alarm.

To ensure proper curing of the logs:

1. Ignite a 2" flame and maintain it for 1/2 hour.
2. Burn the logs in consecutive 1/2 hour periods, raising the flame an additional 2" to full flame height for a total of three hours.

Troubleshooting

Log Set Is Smoking/Sooting Excessively

It is natural and unavoidable for vented gas log sets to produce moderate levels of carbon (soot) where flame contacts the logs. The logs can be cleaned using a soft-bristle brush. However, if soot is produced where there is no flame impingement, one of the following may be the cause:

Fireplace venting system not drafting properly: Make sure the damper is wide open at all times. Preheat the flue in very cold weather by burning the log set at a very low level, then slowly increasing the flame height over a matter of hours. Have the fireplace and the venting system professionally cleaned.

Excessive flame impingement or blockage: Make sure there is proper spacing between the logs so they are not smothering the flame. Rearrange the logs so they are touched less by the flames.

Excessive gas supply/pressure: Make sure the gas pressure coming into the fireplace does not exceed the maximum pressure allowed with this gas set (refer to tables on page 4). If you are using the gas logs with a safety pilot kit, make sure you installed the correct orifice into the set.

Burner Is Excessively Noisy

Please note: The movement and combustion of gas will create low, unavoidable levels of noise.

Excessive gas pressure: Make sure the gas pressure coming into the fireplace does not exceed the maximum pressure allowed with this gas set (refer to tables on page 4). If you are using the gas logs with a safety pilot kit, make sure you installed the correct orifice into the set.

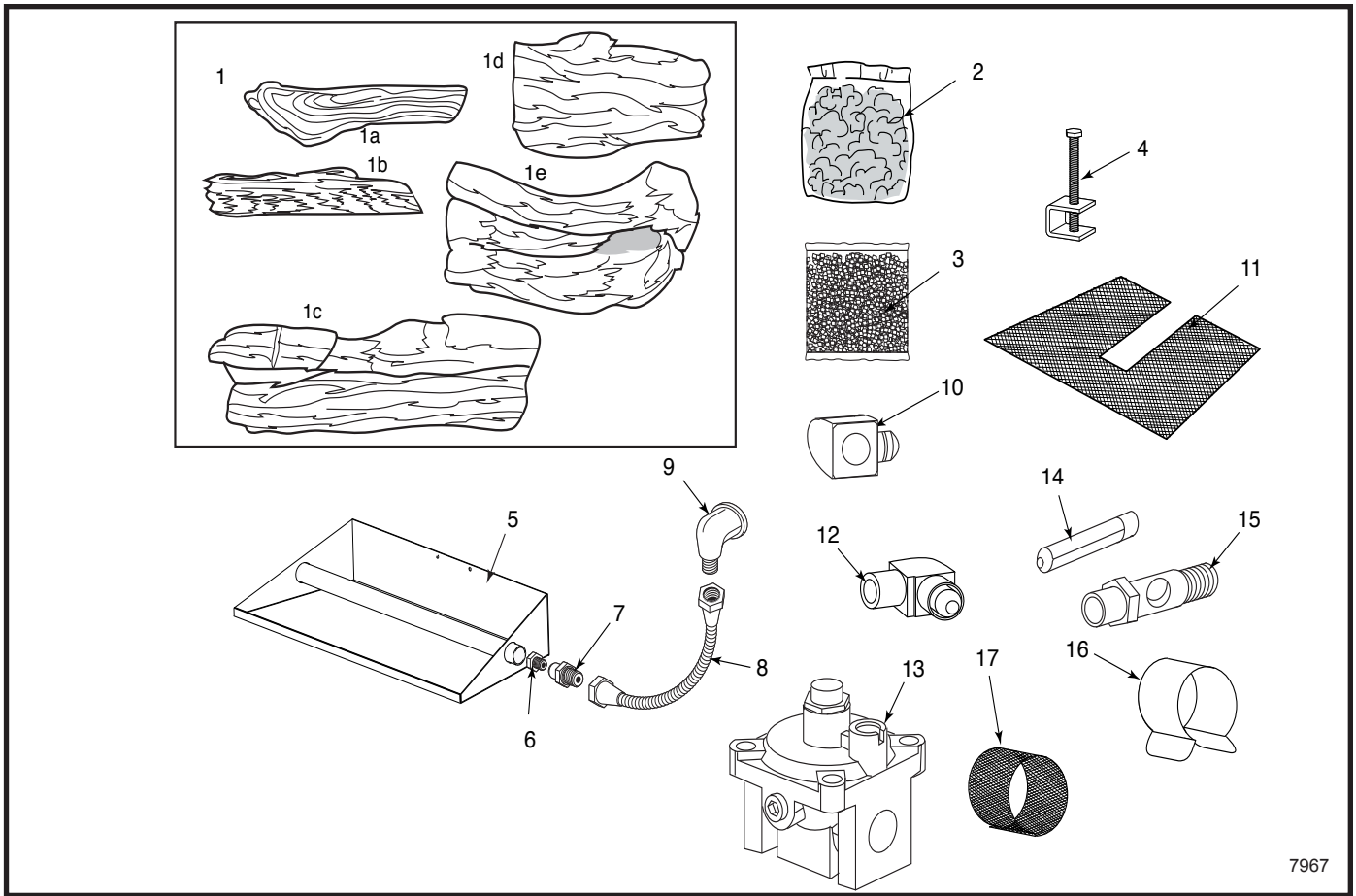
Passage of air/gas across irregular surfaces: There may be burrs, paint, or other blockages on the burner bar ports. Check these ports and remove any blockage.

Gas Connector: Relieve any tight bends or kinks in the Flexible Gas Connector. Switch to a smooth aluminum gas connector, which can be purchased at any hardware or home improvement store.

Burner Flame Is Too High (8-12" Above Top Logs) Or Too Low (Below Top Logs)

Incorrect gas supply, pressure, or burner orifice used: Make sure the gas pressure coming into the fireplace falls between the minimum and maximum pressures allowed with this gas set (refer to tables on page 4). If you are using the gas logs with a safety pilot kit, make sure you installed the correct orifice into the set.

Blocked ports (low flame only): Free the main burner orifice and burner bar ports of any burrs, paint, or other blockage.



CFM Specialty Home Products reserves the right to make changes in design, materials, specifications, prices and discontinue colors and products at any time, without notice.

OD24SHK Vented Gas Logs

Ref.	Description	OD24SHK
1.	Complete Log Set	20007970
1a.	Top Log #3	NNS3
1b.	Top Log (2)	NNS4
1c.	Rear Log	20007972
1d.	Left Front Log	20007974
1e.	Right Front Log	20007973
2.	Bag of Glowing Embers	4310001
3.	Bag of Lava Rock	3310046
4.	Damper Stop	20002575
5.	Pan Assembly	20007959
6.	Orifice - Natural Gas	20000961
7.	Burner Inlet Fitting	20000958
8.	Flexible Gas Connector	3304176
9.	Gas Supply Fitting - Elbow	3304145
10.	3/8" Brass Female NPT to Flare - Propane	3304146
11.	Ember Screen	20007961
12.	3/8" Brass Elbow, NPT to Flare - Propane	3304006
13.	Regulator - Propane	3304191
14.	Orifice - Propane	20001280
15.	Orifice Holder - Propane	20000012
16.	Air Mixer Shutter	20000013
17.	Air Shutter Screen	20004686

LIMITED 2/20 YEAR WARRANTY

For VERMONT CASTINGS Decorative Gas Appliances

CFM Specialty Home Products extends the warranties specified in paragraphs A and B below with respect to its Vermont Castings Decorative Gas Appliances (the "Gas Appliance"), including CFM Specialty Home Products supplied accessories and components referred to in those paragraphs, subject to the following conditions and limitations:

(1) These warranties are extended only to the Gas Appliance installed in the continental United States, including Alaska, and Canada; only if and so long as the accordance with the installation and operating instructions furnished therewith; and only if and so long as Gas Appliance is not removed from its original installation.

(2) These warranties are limited to only the component parts manufactured and supplied by CFM Specialty Home Products. The use of components manufactured by others with the Gas Appliance (except for a listed Type B venting system as defined in the installation instructions) could create serious safety hazard, may result in the denial of certification by recognized national safety agencies, and could be in violation of local building codes.

(3) The Gas Appliance must be operated at all times in accordance with the operating instruction furnished therewith. The Gas Appliance is designed to burn either natural or propane gas only. Burning conventional fireplace fuels such as wood, coal, or any other solid fuel will cause damage to the Gas Appliance, will produce excessive temperatures and will result in a fire hazard.

(4) These warranties are limited to repair, replacement or furnishing a replacement for sale, as specified in Paragraphs A and B, for a part found to CFM Specialty Home Products satisfaction, after examination, to be defective in materials or workmanship under normal conditions, use and service.

(5) All obligations with respect to these warranties may be fully discharged by CFM Specialty Home Products refunding the wholesale price of a defective part.

(6) Except as otherwise expressly specified in Paragraphs A and B. NONE OF THESE WARRANTIES COVER, AND CFM SPECIALTY HOME PRODUCTS SHALL NOT BE RESPONSIBLE FOR, ANY CONSTRUCTION, INSTALLATION, LABOR, TRANSPORTATION OR OTHER COSTS OR EXPENSES ARISING FROM A DEFECTIVE PART, ITS REPAIR OR REPLACEMENT OR OTHERWISE, NOR SHALL CFM SPECIALTY HOME PRODUCTS IN ANY EVENT BE RESPONSIBLE FOR ANY INDIRECT, INCIDENTAL OR CONSEQUENTIAL DAMAGES. EXCEPT TO THE EXTENT PROVIDED BY LAW, THERE ARE NO IMPLIED WARRANTIES WITH RESPECT TO THE GAS APPLIANCE, ITS COMPONENTS AND ACCESSORIES (INCLUDING IMPLIED WARRANTIES OF MERCHANTABILITY OR FITNESS FOR A PARTICULAR PURPOSE), ALL OF WHICH

ARE HEREBY EXPRESSLY INCLUDED. IN NO EVENT SHALL ANY IMPLIED WARRANTY PRESCRIBED BY LAW (NOTWITHSTANDING THE FOREGOING EXPRESS EXCLUSION) REMAIN IN EFFECT AFTER EXPIRATIONS OF THE WARRANTIES SET FORTH IN PARAGRAPHS A AND B.

A. Gas Appliances, electrical and manual components, glass panels, all sealants or adhesives and optional accessories (exclusive of CFM Specialty Home Products supplied decorative logs which are covered by a separate warranty under paragraph B below):

Within two years from the date of manufacture of the gas appliance, CFM Specialty Home Products will repair, or replace (at our option) a defective part without charge.

B. Cement or ceramic fiber log components:

Within two years from the date of manufacture of the gas appliance, CFM Specialty Home Products will replace a defective part without charge. Within years three through twenty from the date of manufacture of the gas appliance, CFM Specialty Home Products will provide a replacement for a defective part to the homeowner, but assumes no liability for incurred labor cost.

The foregoing warranties gives you specific legal rights and you may also have other rights which vary from state to state. Some states do not allow limitations on how long an implied warranty may last, so the limitation specified above on the duration of any implied warranty prescribed by law may not apply to you. Similarly, some states do not permit the exclusion or limitation of incidental or consequential damages, so the above exclusion of such damages may not apply to you.

In order to obtain performance of any of the above warranty obligations, write to CFM Specialty Home Products at this address:

CFM Specialty Home Products
410 Admiral Blvd
Mississauga, Ontario Canada L5T 2N6
Attention: Manager of Warranty Services

Since local building requirements may vary greatly throughout the country, users of CFM Specialty Home Products products should determine in advance whether there are any building code restrictions on the use of a specified product.

CFM SPECIALTY HOME PRODUCTS MAKES NO REPRESENTATION OR WARRANTY REGARDING, AND SHALL NOT BE RESPONSIBLE FOR, ANY BUILDING CODE COMPLIANCE. The foregoing warranties give you specific legal rights and you may also have other rights which vary from state to state.