

Louvre Kit - Black

Installation Instructions

Models: DV4136LK

The DV4136LK louvre kit is designed for use on fireplace model DVB4136 (Item number GF__R6J2) DVA4136 (Item number GFYN5J0).

Check Carton Contents

Compare shipping carton contents in Figure 1 with actual parts received for the model trim kit purchased. If any parts are missing or damaged, contact your dealer before starting installation.

Contents

Installation Instructions

Hood

Bottom Louvre Assembly

Top Louvre Assembly

Bolt Bag: 5 screws, 2 pivot brackets, 2 clevis pins, 2 clips

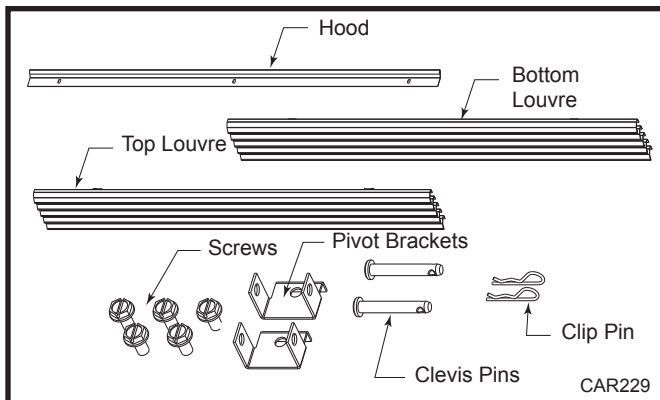


Fig. 1 Carton contents.

Installation Instructions

1. Install the hood to the fireplace with three (3) screws provided. Align the slots on the hood with the holes in the top opening of the fireplace and secure with screws. (Fig. 2)

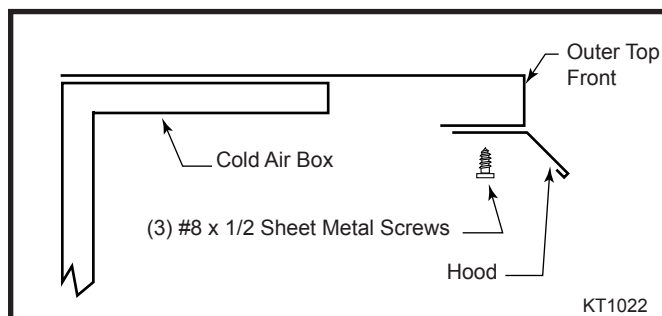


Fig. 2 Install hood.

2. Remove the top louvre assembly from carton and install in the top opening of the fireplace just below the newly installed hood. The hook of the louvre fits into the brackets as shown in Figure 3.

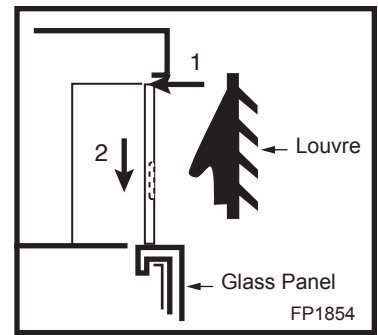


Fig. 3 Install louvre.

3. Install the two (2) pivot brackets to the bottom of the fireplace and secure with screws provided. (Fig. 4)

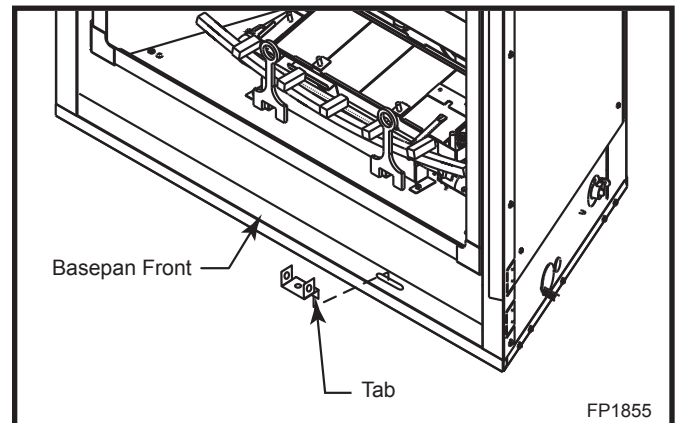


Fig. 4 Place pivot brackets into basepan slot.

4. Install bottom louvre to pivot brackets using the clevis pins provided. Slide the clip pins through the holes in the clevis pins. (Fig. 5)

Installation complete.

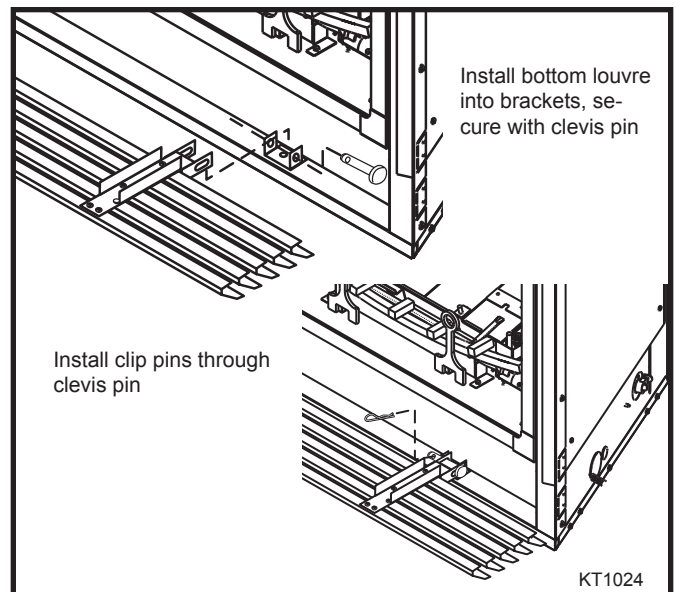


Fig. 5 Install bottom louvre.

Replacement Parts (Refer to Figure 1)

Ref.	Description	DV4136LK
1.	Hood	20011877
2.	Bottom Louvre Assembly	20013603
3.	Top Louvre Assembly	20013602
4.	Pivot Bracket	20012232
5.	Clevis Pin	10008615
6.	Clip Pin	10008616

CFM Corporation reserves the right to make changes in design, materials, specifications, prices and discontinue colors and products at any time, without notice.

CFM Corporation

2695 Meadowvale Blvd. • Mississauga, Ontario, Canada L5N 8A3
800-668-5323 • www.cfmcorp.com