



Decorative Gas Appliance

Models: NVC36, NVC39, NVC43

INSTALLER/CONSUMER SAFETY INFORMATION

**PLEASE READ THIS MANUAL
BEFORE INSTALLING AND USING
APPLIANCE**

IMPORTANT: Read all instructions and warnings carefully before starting installation. Failure to follow these instructions may result in a possible fire hazard and will void the warranty.

WARNING: If the information in this manual is not followed exactly, a fire or explosion may result causing property damage, personal injury or loss of life.

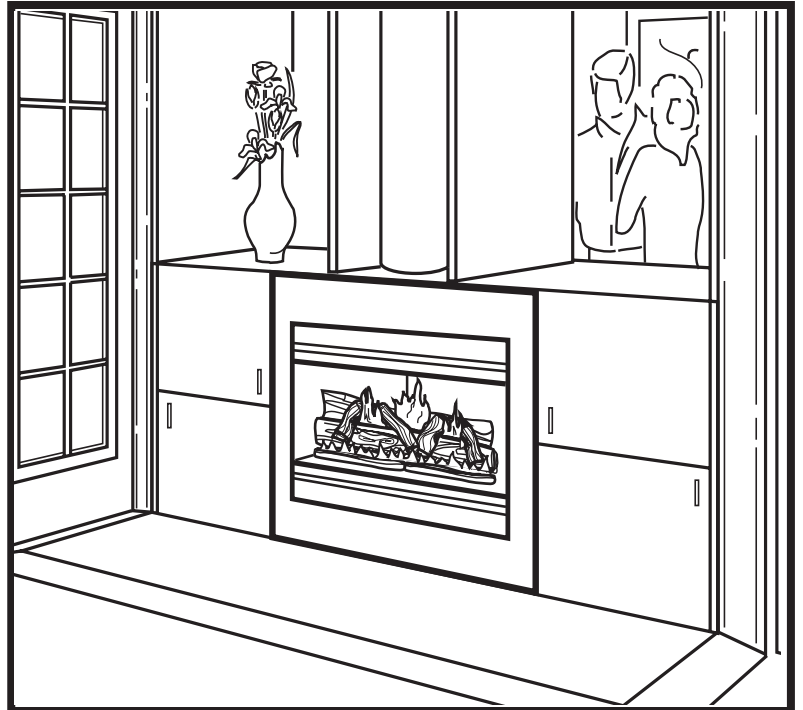
FOR YOUR SAFETY

Installation and service must be performed by a qualified installer, service agency, or the gas supplier. Do not store or use gasoline or other flammable vapors and liquids in the vicinity of this or any other appliance.

FOR YOUR SAFETY

If you smell gas:

- Do not touch electrical switches.
- Do not try to light any appliance.
- Do not use the phone in your building.
- Immediately call your gas supplier from a neighbor's phone.
- Follow your gas supplier's instructions.
- If you cannot reach your gas supplier, call the fire department.



Installation and Homeowners Operating Instructions



INSTALLER: Leave this manual with the appliance.
CONSUMER: Retain this manual for future reference.

Table of Contents

Thank you and Congratulations on your purchase of a
CFM Corporation fireplace.

PLEASE READ THE INSTALLATION & OPERATING INSTRUCTIONS BEFORE USING THE APPLIANCE

IMPORTANT: Read all instructions and warnings carefully before starting installation. Failure to follow these instructions may result in a possible fire hazard and will void the warranty.

Installation Instructions	3
Installation & Operating Instructions.....	3
Fireplace Dimensions.....	4
Clearance to Combustibles	5
Mantels	5
Hearth	5
Framing and Finishing.....	6
Final Finishing	6
Gas Specifications.....	6
Gas Inlet & Manifold Pressures.....	6
High Elevations	6
Gas Line Installation.....	7
Remote Switch Installation.....	7
Alternate Switch Location.....	7
EB-1 Electrical Box.....	8
Install Venting System, Flashing and Termination.....	8
Operating Instructions	
Glass Information	10
General Maintenance.....	10
Louvre Removal	10
Window Frame Assembly Removal.....	10
Glass Cleaning	10
Log Installation	11
Lava Rock, Ember Material Placement.....	11
Flame Adjustment.....	11
Flame Characteristics.....	11
Inspecting the Venting System	12
Test Chimney Draw	12
First Firing	12
Lighting and Operating Instructions.....	13
Vent Safety Switch	14
Electrical Connection.....	14
Troubleshooting.....	15
Maintenance	
Cleaning the Standing Pilot Control System	18
Replacement Parts	
Part Pictorial	19
Parts List	20
Optional Accessories	
Fan Kits 22	
Wiring Instructions.....	22
Remote Controls	23
Ceramic Refractory Panels	23
Arched Door Kit.....	23
Decorative Bay Windows	24
EB-1 Receptacle Box	24
Decorative Frame Trims	24

Installation & Operating Instructions

This gas appliance should be installed by a qualified installer in accordance with local building codes and with current **CSA-B149.1** Natural Gas and Propane Installation Code. If the unit is being installed in a mobile home, the installation should comply with the current **CAN/CSA Z 240.4** code. For U.S.A Installations follow local codes and/or the current National Fuel Gas Code **ANSI Z223.1/NFPA 54**.

In the Commonwealth of Massachusetts, all gas fitting and installation of this heater shall only be done by a licensed gas fitter or licensed plumber.

FOR SAFE INSTALLATION AND OPERATION PLEASE NOTE THE FOLLOWING:

1. This appliance gives off high temperatures and should be located out of high traffic areas and away from furniture and draperies.
2. Children and adults should be alerted to the hazards of the high surface temperatures of this appliance and should stay away to avoid burns or ignition of clothing.
3. Children should be carefully supervised when they are in the same room as your appliance.
4. Under no circumstances should this appliance be modified. Parts having to be removed for servicing should be replaced prior to operating this appliance again.
5. Installation and any repairs to this appliance should be carried out by a qualified service person. A professional service person should be contacted to inspect this appliance annually. Make it a practice to have all of your gas appliances checked annually. More frequent cleaning may be required due to excess lint and dust from carpeting, bedding material, etc.
6. Control compartments, burners and air passages in this appliance should be kept clean and free of dust and lint. Make sure that the gas valve and pilot light are turned off before you attempt to clean this unit.
7. The venting system (chimney) of this appliance should be checked at least once a year and if needed your venting system should be cleaned.
8. Keep the area around your appliance clear of combustible materials, gasoline and other flammable vapor and liquids. This appliance should not be used as a drying rack for clothing, nor should Christmas stockings or decorations be hung in the area of it.
9. Under no circumstances should any solid fuels (wood, coal, paper or cardboard etc.) be used in this appliance.
10. The flow of combustion and ventilation air must not be obstructed in any way.
11. Whether the appliance is installed directly on carpeting, vinyl tile or any combustible material other than wood, this appliance must be installed on a metal or wood panel extending the full width and depth of the appliance.
12. This appliance requires adequate ventilation and combustion air to operate properly.

13. this fireplace must not be connected to a chimney flue serving a separate solid fuel burning fireplace.
14. When the fireplace is not in use it is recommended that the gas valve be left in the OFF position.

The appliance and its individual shutoff valve must be disconnected from the gas supply piping system during any pressure testing of that system at test pressures in excess of 1/2 psig (3.45 kPa).

This appliance may be installed in an aftermarket permanently located, manufactured home or mobile home, where not prohibited by local codes. This appliance is only for use with the type of gas indicated on the rating plate. This appliance is not convertible for use with other gases, unless a certified kit is used.

WARNING: Check with your electronics manufacturer before installing a television or other electronic device above this fireplace.

IMPORTANT:

PLEASE READ THE FOLLOWING CAREFULLY

Remove any plastic from trim parts before turning the fireplace ON.

It is normal for fireplaces fabricated of steel to give off some expansion and/or contraction noises during the start up or cool down cycle. Similar noises are found with your furnace heat exchanger or car engine.

It is not unusual for your gas fireplace to give off some odor the first time it is burned. This is due to the curing of the paint and any undetected oil used in the manufacturing process.

Please ensure that your room is well ventilated - open all windows.

It is recommended that you burn your fireplace for at least ten (10) continuous hours the first time you use it. If the optional fan kit has been installed, place the fan switch in the "OFF" position during this time.

Proposition 65 Warning: Fuels used in gas, wood-burning or oil fired appliances, and the products of combustion of such fuels, contain chemicals known to the State of California to cause cancer, birth defects and other reproductive harm.
California Health & Safety Code Sec. 25249.6

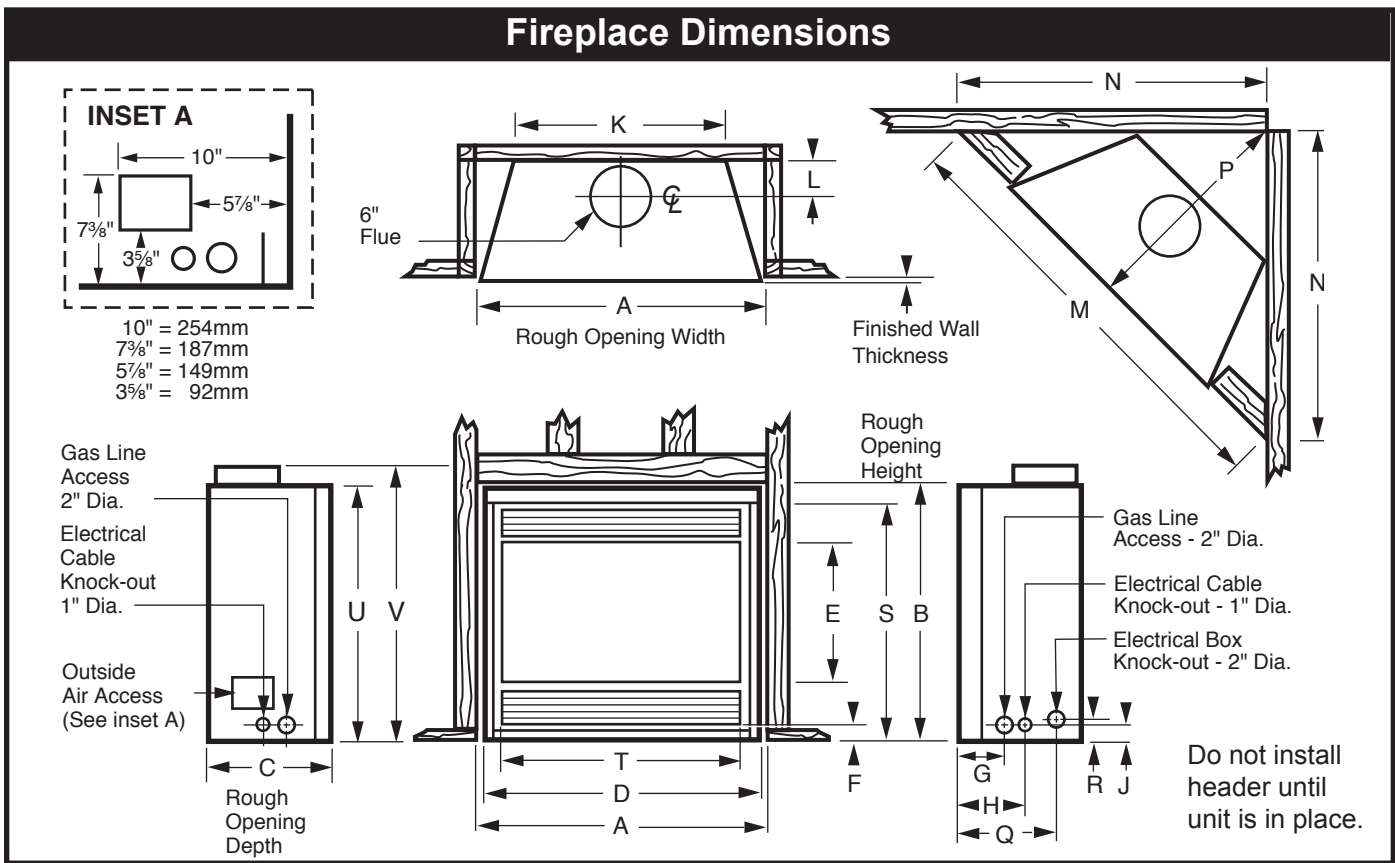


Fig. 1 Fireplace specifications and framing dimensions.

Appliance Dimensions

Ref.	NVC36	NVC39	NVC43
Framing Dimensions			
A	36 ¹ / ₂ " (927 mm)	39 ¹ / ₂ " (1003 mm)	43 ¹ / ₂ " (1105 mm)
B	34 ³ / ₄ " (883 mm)	35" (889 mm)	37 ¹ / ₂ " (953 mm)
C	14 ¹ / ₂ " (362 mm)	16 ¹ / ₂ " (419 mm)	16 ¹ / ₂ " (419 mm)
Appliance Dimensions			
D	36" (914 mm)	39" (991 mm)	43" (1092 mm)
E	21" (533 mm)	21" (533 mm)	23 ¹ / ₂ " (597 mm)
F	1" (25 mm)	1" (25 mm)	1" (25 mm)
G	5 ¹ / ₂ " (140 mm)	6 ⁵ / ₁₆ " (160 mm)	5 ¹ / ₂ " (140 mm)
H	7 ³ / ₄ " (197 mm)	8 ²¹ / ₃₂ " (220 mm)	8" (203 mm)
J	2" (51 mm)	2" (51 mm)	2" (51 mm)
K	20" (508 mm)	24" (610 mm)	31" (787 mm)
L	6" (152 mm)	6 ¹ / ₂ " (165 mm)	5 ³ / ₄ " (146 mm)
M	47 ⁵ / ₈ " (1210 mm)	56" (1422 mm)	62 ⁵ / ₈ " (1591 mm)
N	33 ⁵ / ₈ " (854 mm)	40" (1016 mm)	44 ¹ / ₄ " (1124 mm)
P	24 ¹ / ₂ " (622 mm)	28 ⁹ / ₁₆ " (726 mm)	32" (813 mm)
Q	10 ³ / ₄ " (273 mm)	12 ¹³ / ₃₂ " (315 mm)	12" (305 mm)
R	4" (102 mm)	4" (102 mm)	4" (102 mm)
S	32 ³ / ₄ " (832 mm)	32 ³ / ₄ " (832 mm)	35 ¹ / ₂ " (902 mm)
T	33" (838 mm)	36" (914 mm)	40" (1016 mm)
U	34 ¹ / ₄ " (870 mm)	34 ¹ / ₄ " (870 mm)	37" (940 mm)
V	36 ¹ / ₂ " (927 mm)	37 ¹ / ₄ " (946 mm)	39 ¹ / ₄ " (997 mm)

Clearance to Combustibles

Apliances

Top	0" (0 mm)
Bottom.....	0" (0 mm)
Side.....	0" (0 mm)
Back.....	0" (0 mm)
Perpendicular Sidewall	0" (0 mm)
Top of unit to ceiling	36" (914 mm)
Front of unit to combustibles.....	36" (914 mm)

Venting

B-Vent	1" (25 mm)
--------------	------------

Mantels

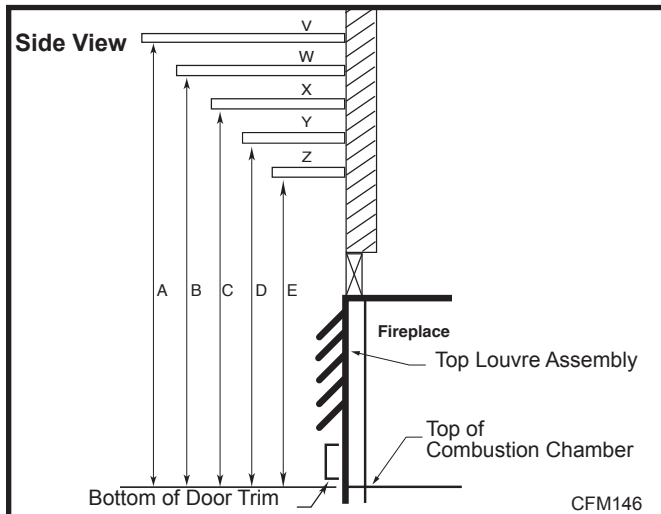
The height that a combustible mantel is fitted above the fireplace is dependent on the depth of the mantel. This also applies to the distance between the mantel leg (if fitted) and the fireplace.

For the correct mounting height and widths refer to Figures 2a and 2b and the Mantel Chart below.

The distances and reference points are not affected by the fitting of a bay window front trim kit.

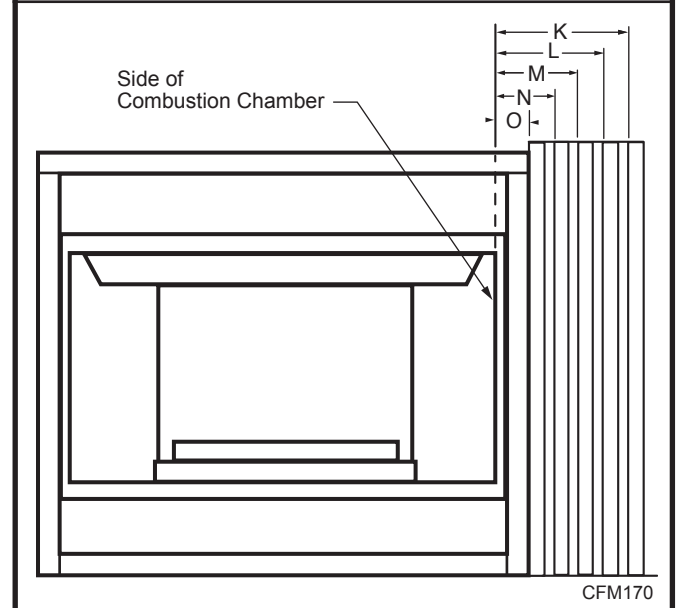
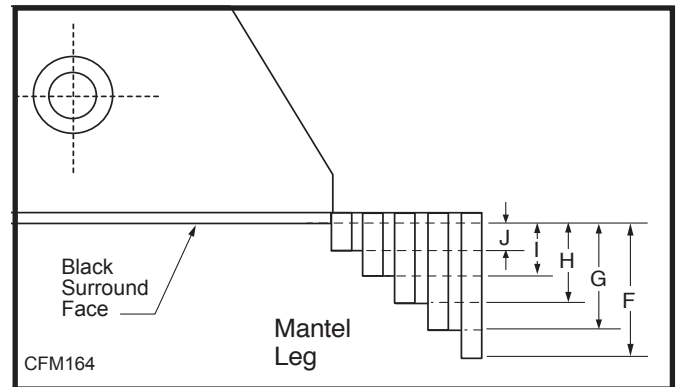
Noncombustible mantels and legs may be installed at any height and width around the appliance.

When using a paint or lacquer to finish the mantel, such paint or lacquer must be heat resistant to prevent discoloration.



Ref.	Mantel Shelf Depth	Ref.	Mantel From Top of Comb. Chamber
V	10" (254 mm)	A	19½" (495 mm)
W	8" (203 mm)	B	17½" (444 mm)
X	6" (152 mm)	C	15½" (394 mm)
Y	4" (101 mm)	D	13½" (343 mm)
Z	2" (51 mm)	E	11½" (292 mm)

Fig. 2a Mantel clearances.



Ref.	Mantel Leg Depth	Ref.	Mantel Leg From Side of Comb. Opening
F	10" (254 mm)	K	12" (305 mm)
G	8" (203 mm)	L	10" (254 mm)
H	6" (152 mm)	M	8" (203 mm)
I	4" (101 mm)	N	6" (152 mm)
J	2" (51 mm)	O	4" (101 mm)

Fig. 2b Combustible mantel leg minimum installation.

Hearth

A hearth is not mandatory but is recommended for aesthetic purposes. We recommend a noncombustible hearth.

Cold climate installation recommendation: When installing this unit against a noninsulated exterior wall or chase, it is mandatory that the outer walls be insulated to conform to applicable insulation codes.



Framing and Finishing



Check fireplace to make sure it is levelled and properly positioned.

1. Choose the unit location.
2. Place the unit into position and secure it to the floor with 1½" (38mm) screws, or nails. The holes to secure the unit to floor are located just behind the access door grille on the left and right side of the unit.
3. Frame in the fireplace with a header across the top. It is important to allow for the finished wall face when setting the depth of the frame.
4. Attach the fireplace to the frame using the adjustable frame drywall strips (located behind the access door for shipping). Preset the depth to suit the facing material of the wall. The strips are adjustable to 1/2" (13 mm), 5/8" (16 mm), or 3/4" (19 mm). (Fig. 4)
5. Screw through the slotted holes in the drywall strip and into pre-drilled holes in fireplace side. Measure from face of fireplace to the face of the drywall strip to confirm the final depth.

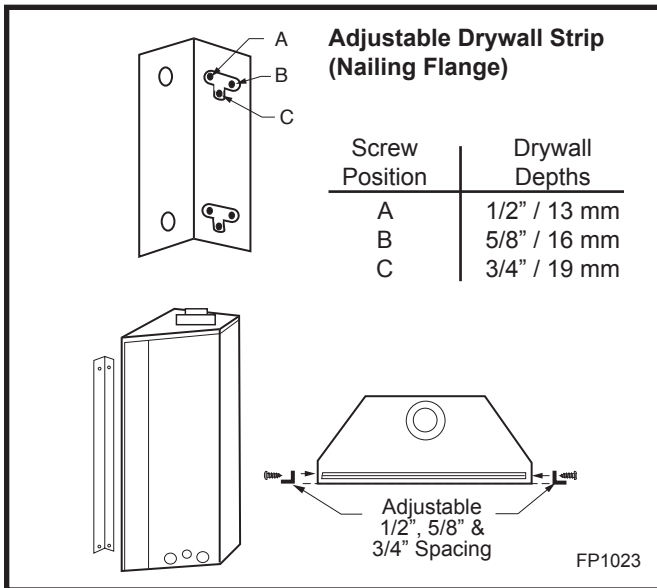


Fig. 4 Adjustable drywall strip (nailing flanges).

Final Finishing

Noncombustible materials such as brick or tile may be extended over the edges of the face of the appliance. **DO NOT cover the window frame assembly, any vent, louvre top assembly or louvre bottom assembly.**

If a Trim Kit is going to be installed on the fireplace, the brick or tile will have to be installed flush with the edges of the appliance.

Gas Specifications

Model	Fuel	Gas Control	Max. Input	Min. Input
NVC36RN	Natural	Millivolt Hi/Lo	25,000	17,500
NVC36RP	Propane	Millivolt Hi/Lo	25,000	18,750
NVC36VN	Natural	24V Hi/Lo*	25,000	17,500
NVC36NP	Propane	24V Hi/Lo*	25,000	18,750
NVC36EN	Natural	Electronic Ignition	25,000	17,500
NVC36EP	Propane	Electronic Ignition	25,000	18,750
NVC39RN	Natural	Millivolt Hi/Lo	30,000	21,000
NVC39RP	Propane	Millivolt Hi/Lo	30,000	22,500
NVC39VN	Natural	24V Hi/Lo*	30,000	21,000
NVC39VP	Propane	24V Hi/Lo*	30,000	22,500
NVC39EN	Natural	Electronic Ignition	30,000	21,000
NVC39EP	Propane	Electronic Ignition	30,000	22,500
NVC43RN	Natural	Millivolt Hi/Lo	33,000	23,100
NVC43RP	Propane	Millivolt Hi/Lo	33,000	24,750
NVC43VN	Natural	24V Hi/Lo*	33,000	23,100
NVC43VP	Propane	24V Hi/Lo*	33,000	24,750
NVC43EN	Natural	Electronic Ignition	33,000	23,100
NVC43EP	Propane	Electronic Ignition	33,000	24,750

NOTE: VN and VP models are for use the PVS-1 Power Vent System.

Gas Inlet & Manifold Pressures

	Natural	LP
Minimum Inlet Pressure	5.5" w.c.	11.0" w.c.
Maximum Inlet Pressure	14.0" w.c.	14." w.c.
Manifold Pressure	3.5" w.c.	10.0" w.c.

NVC36 / NVC39 / NVC43 CERTIFIED To

**ANSI Z21.50b-2005 / CSA 2.22b-2005
Vented Gas Fireplace Heaters**

Units: B32H00, B32I00, B33A00, B33B00, B32J00, B32K00, C32H00, C32I00, C32A00, C32B00, C32J00, C32K00, D32H00, D32I00, D33A00, D33B00, D32J00, D32K00

High Elevations

Input ratings are shown in BTU per hour and are certified without deration for elevations up to 4,500 feet (1,370m) above sea level.

For elevations above 4,500 feet (1,370m) in USA, installations must be in accordance with the current ANSI Z223.1/NFPA 54 and/or local codes having jurisdiction.

In Canada, please consult provincial and/or local authorities having jurisdiction for installations at elevations above 4,500 feet (1,370m).

Gas Line Installation



When purging gas line the front glass must be removed. Purging gas lines must comply with ANSI Z223.1/NFPA 54 in USA and CSA B149.1 in Canada.

The gas pipeline can be brought in through the right or left side of the appliance, as well as the bottom. Knock-outs are provided at convenient locations to allow for the gas pipe installation and testing of any gas connection. It is most convenient to bring the gas line in from the right side, as this allows fan installation or removal without disconnecting the gas line.

The gas line connection can be made with properly tinned 3/8" copper tubing, 1/2" rigid pipe or an approved flex connector, then reduced to 3/8" (R Models) or 1/2" (E Models) to the appliance. Because some municipalities have some additional local codes, it is always best to consult your local authority and the **CSA-B149.1** installation code.

For US installations consult the current National Fuel Gas Code, **ANSI Z223.1/NFPA 54**.



Always check for gas leaks with a mild soap and water solution applied with a brush no larger than 1" (25mm). Never apply soap and water solution with a spray bottle. Do not use an open flame for leak testing.



The fireplace valve must not be subjected to any test pressures exceeding 1/2 psi. Isolate or disconnect this or any other gas appliance control from the gas line when pressure testing.

The gas control is equipped with a captured screw type pressure test point, therefore it is not necessary to provide a 1/8" test point up stream of the control.

When using copper or flex connector use only approved fittings. **Always provide a union** so that gas line can be easily disconnected for burner or fan servicing. Refer to gas specification for pressure details and ratings. **NOTE:** If flex connector is used, it must be kept inside of the appliance. (Fig. 5)

Remote Switch Installation

1. Thread wire through the electrical knockout located on either side of unit. Do not cut wire or insulation on metal edges. Ensure that wire is protected. Run the other end to a conveniently located wall receptacle box.
2. Attach wire to switch and install switch into receptacle box. Attach cover plate to switch.
3. Connect wiring to gas valve. (Figs. 19 or 20, Page 14)

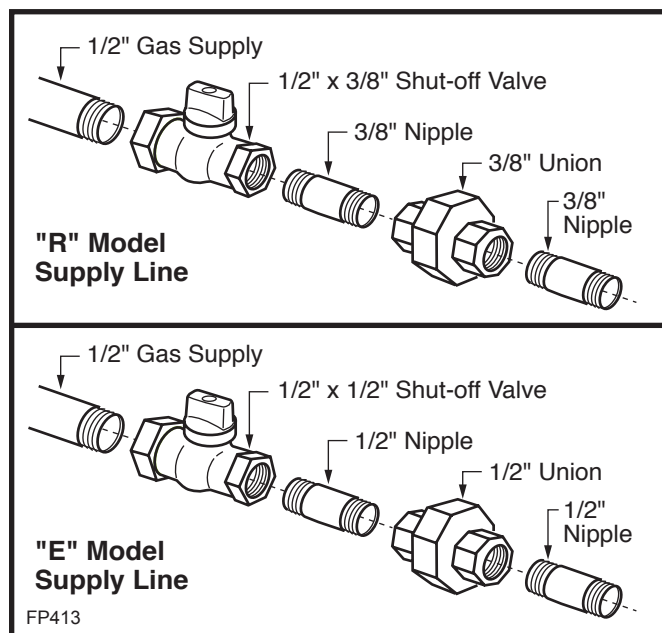


Fig. 5 Typical gas supply installation.

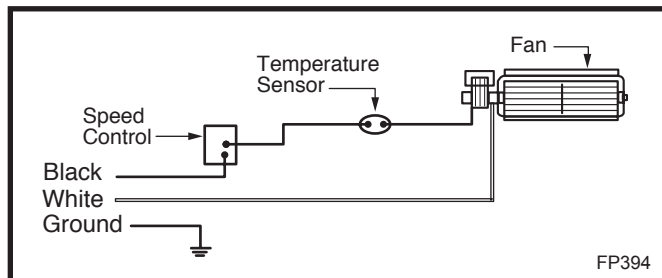


Fig. 6 Wiring diagram.

Alternate Switch Location

Remote switch can be installed on either side of the access door. Simply mount the switch to the switch bracket provided. Screw the bracket on either side of the frame, lining up the screws with the pre-punched holes. (Fig. 7)

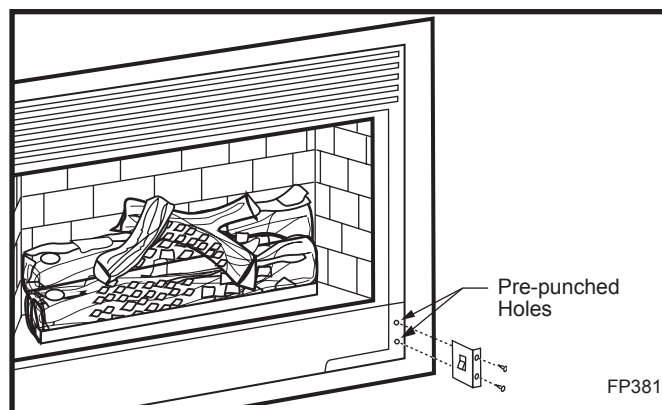


Fig. 7 Installing remote switch bracket.

EB-1 Electrical Box



The fireplace, when installed, must be electrically connected and grounded in accordance with local codes or, in the absence of local codes, with the current CSA C22.1 Canadian Electrical Code



For USA installations follow the local codes and the national electrical code ANSI/NFPA No. 70.



It is strongly suggested that the wiring of the EB-1 Electrical Junction Box be carried out by a licensed electrician.



Ensure that the power to the supply line has been disconnected before commencing this procedure.

The EB-1 Electrical junction box has been supplied standard on the DVRT 36/39/43 models to allow for the easy installation of an optional fan kits.

To connect the EB-1 box to the house electrical supply follow the steps below.

1. Unscrew the retaining screw from the EB-1 base plate (Fig. 8) and remove the EB-1 assembly from the fireplace.
2. Remove the front cover of the EB-1 box.
3. Remove the plug socket assembly from the EB-1 box.
4. Feed the supply line in from the outside through the cable clamp. (Fig. 8)
5. Connect black wire of the power supply line to the brass screw (polarized) of the socket assembly.
6. Connect the white wire of the power line to the chrome screw of the socket assembly.
7. Connect the ground wire of the supply line to the green screw of the socket assembly.
8. Refit the socket assembly back into the electrical box and replace the cover plate. Secure the cable with the clamp on the outside of the unit to prevent strain on the connections.
9. The EB-1 electrical junction box is now ready to supply power to the FK12 or FK24 fan kits if fitted.

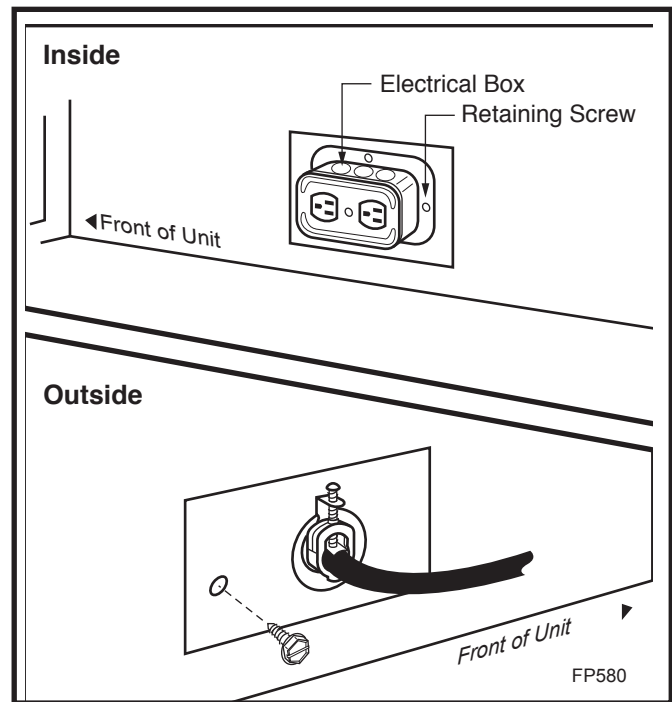


Fig. 8 EB-1 receptacle.

Install the Venting System, Flashing and Termination

Refer to venting installation instructions provided by the B-Vent manufacturer.

Refer to Figure 1, Page 3 to locate chimney center line dimension from a combustible back wall.

- **Minimum vertical chimney height — 12' (3.65 m)**
- **Maximum vertical height — 40' (12 m)**
- **Minimum height with two elbows — 12' (3.65 m)**
- **Elbow requirements allow a maximum of two 90° elbows or four 45° elbows per installation. (Two 45° elbows = One 90° elbow.) See venting chart for proper elbow offset runs.**

For firestop positioning, refer to Figure 9. Only one (1) firestop required per frame. **NOTE:** A firestop is not required at the roof.

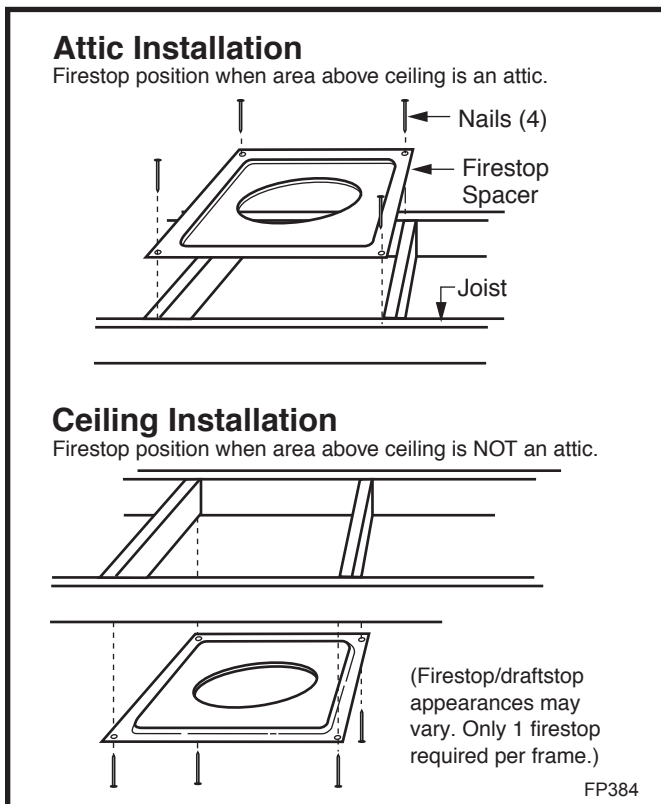


Fig. 9 Firestop/draftstop positions.

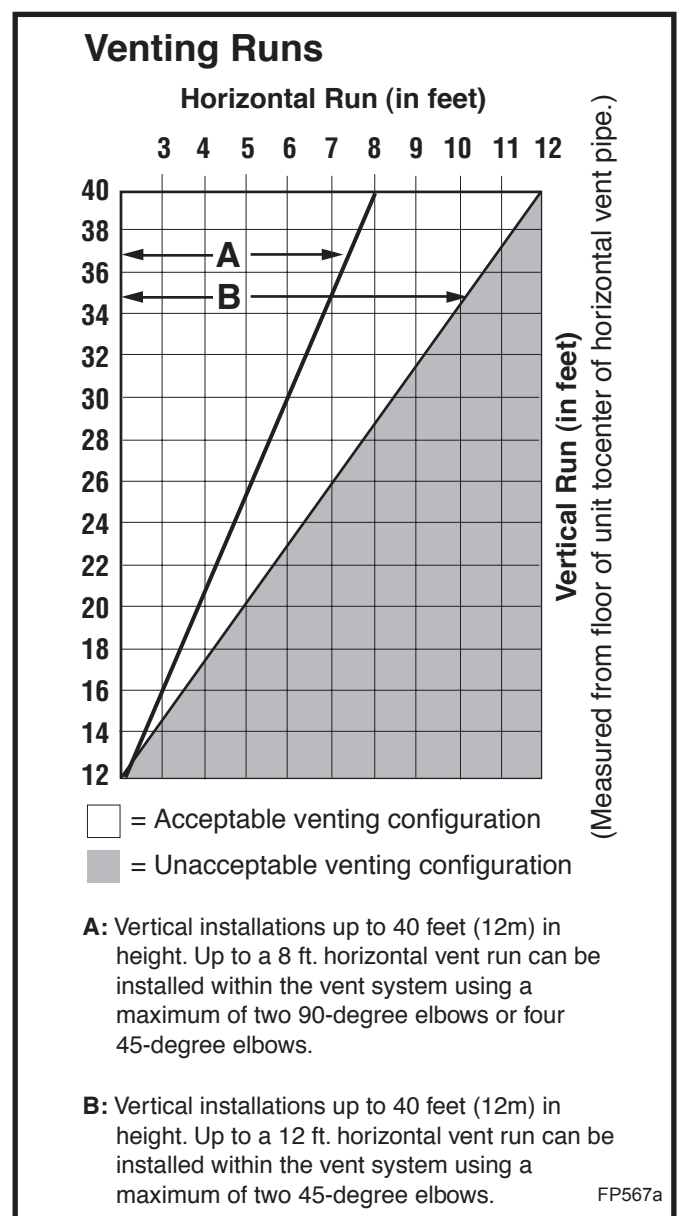


Table 1 Venting configurations.

Operating Instructions

Glass Information



Only glass approved by CFM Corporation should be used on this fireplace.

- The use of any non-approved replacement glass will void all product warranties.
- Care must be taken to avoid breakage of the glass.
- **Do not operate appliance with glass front removed, cracked or broken.**
- **Replacement glass (complete with gasket) is available through your CFM Corporation dealer and should only be installed by a licensed qualified service person.**

Louvre Removal

To remove the louvre top assembly, lift louvre up and then out. (Fig. 12) The louvre bottom assembly is hinged at the bottom edge and swings down.

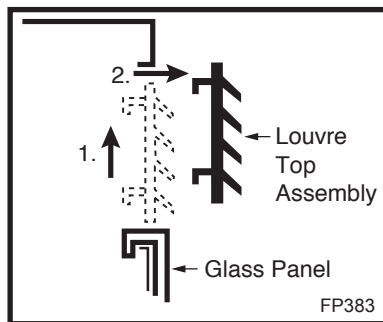


Fig. 10 Louvre install and removal.

Window Frame Assembly Removal

1. Turn gas off.
2. Let the unit cool if it has been operating.
3. Remove louvre top assembly. (Refer to Louvre Removal section.)
4. Open louvre bottom assembly.
5. Release the two clamps at the bottom of the window frame by pulling down on the clamp handles.
6. Lift off the window frame assembly as shown. (Fig. 11)
7. To reinstall window frame assembly, follow the above procedure in reverse.

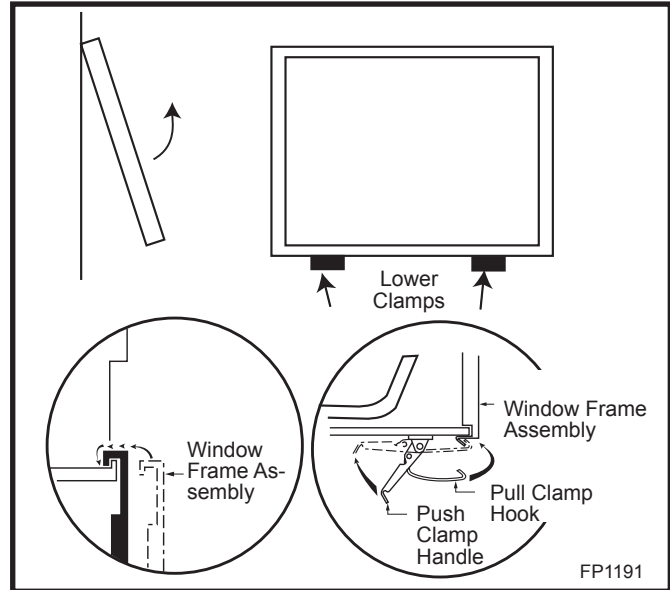


Fig. 11 Window frame assembly removal.

Glass Cleaning

It is necessary to clean the glass periodically. During start-up, condensation, which is normal, forms on the inside of the glass and causes lint, dust and other airborne particles to cling to the glass surface. Also initial paint curing may deposit a slight film on the glass. It is therefore recommended the glass be cleaned two or three times with a non-ammonia household cleaner and warm water (gas fireplace glass cleaner is recommended). After initial use glass should be cleaned two or three times during heating season.



Clean glass after first two weeks of operation.

Do not clean glass when hot.

Do not use abrasive cleaners.

Do not strike or slam the glass.

Log Installation

1. Remove window frame assembly. (Refer to Page xx)
2. Remove logs from the packaging.



As with all plastic, these bags are not toys and should always be kept away from children and infants.

3. Place rear log on back bracket. Ensure that log is firmly positioned and there is no side-to-side movement.
4. Place the front log on top of the burner, use bottom holes to locate the logs on top of the studs.
5. Place the front right log on top of the burner, Use bottom holes to locate the logs on top of the studs.

6. Place the top logs onto the locator notches. Ensure that the logs are secure. (Fig. 12)
7. Place ember material. See "Ember Material Placement" section.

	NVC36	NVC39	NVC43
Front Left Log	BB6	BC5	BD6
Front Right Log	BB7	BC6	BD7
Rear Log	BE5	BC7	BD8
Top Left Log	BB9	BC8	BD9
Top Right Log	BB10	BC9	BD10

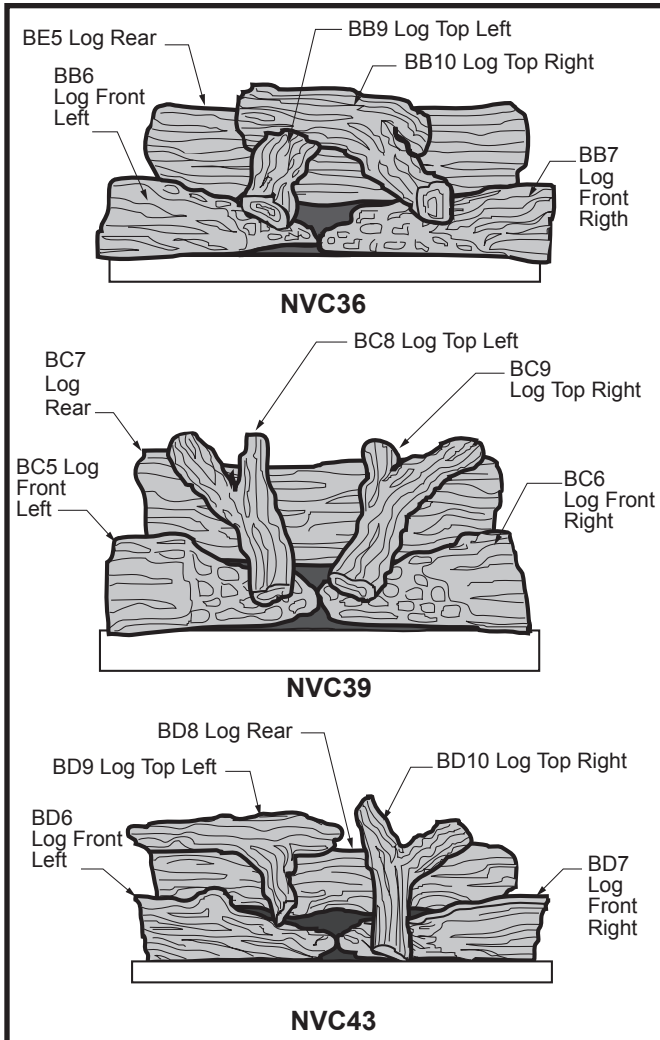


Fig. 12 Log locations.

Lava Rock

The lava rock provided with this fireplace must be placed on the firebox base on either side of the burner assembly. Do not place lava rock in combustion pan.



Under no circumstances should this lava rock be placed on any part of the burner assembly.

Ember Material Placement

Separate the ember material into small pieces, roughly 1/2" in diameter, and place onto the burner in front of the front logs. Do NOT pack down, leave in fluffy, loose condition for more realistic ember effect.

Flame Adjustment

For fireplaces equipped with HI/LO valves, flame adjustment is accomplished by rotating the HI/LO adjustment knob located near the center of the gas control. (Fig. 13 or 14)

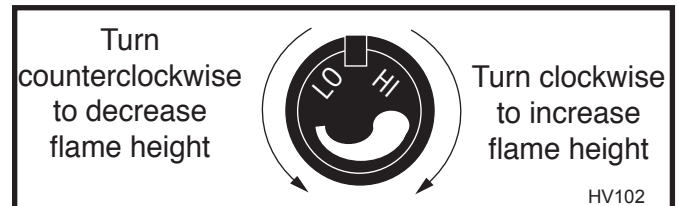


Fig. 13 Flame adjustment knob for Honeywell valve.

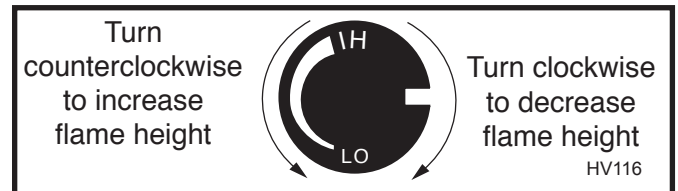


Fig. 14 Flame adjustment knob for SIT valve.

Flame Characteristics

It is important to periodically perform a visual check of the pilot and burner flames. Compare them to the , pictorials illustrated below. (Figs. 15 or 16) If the flame patterns appear abnormal contact a qualified service provider for service and adjustment.

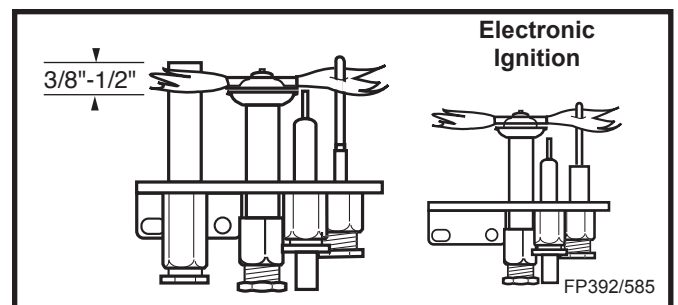


Fig. 15 Proper pilot flame height.

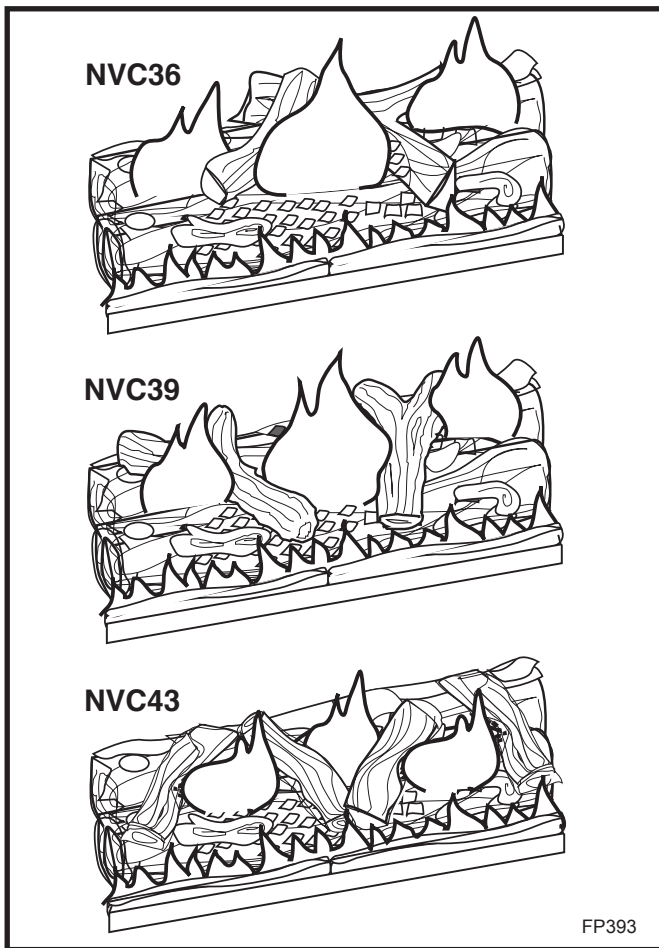


Fig. 16 Approximate flame heights for each model.

Inspecting the Venting System

This appliance venting system is designed and constructed to develop a positive flow adequate to remove flue gases to the outside atmosphere.

Any foreign objects in the venting system, except those designed specifically for the venting system, may cause spillage of flue gases.

To inspect the venting system, make sure the main gas valve is off. Remove the window frame assembly (Refer to Page 10). Using a flashlight, check the area above the baffle in the combustion dome. Clean if necessary.

Test Chimney Draw

A "Chimney Draw" test must be made before the installation is complete.

1. Close all doors and windows in the home and start exhaust fans in the kitchen and bathroom.
2. Light unit and operate for 5 minutes.
3. Hold an ignited match, cigarette, or smoke match in front of the unit. Refer to Figure 17 for location of the draft hood opening.
4. Check to make sure smoke from the match, cigarette or smoke match is drawn into the fireplace. If it is not, turn the unit off and check for causes creating the lack of adequate draft.



Do not operate the unit until lack of adequate draft has been determined and rectified.

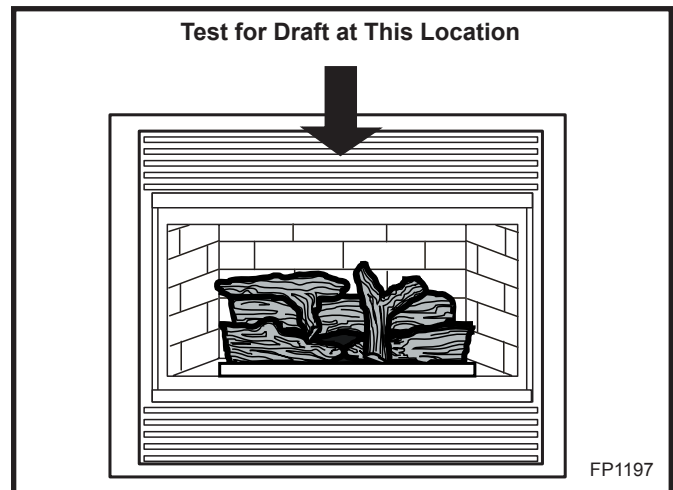


Fig. 17 Draft test location.

First Firing

Remove window frame assembly before lighting.

Upon completing the gas line connection, a small amount of air will be trapped in the line. When first lighting the unit with pilot light, it will take a few minutes to purge the trapped air. Once purging is complete, the pilot and burner will light and operate as indicated in the instruction manual. Subsequent lightings of the appliance will not require purging.

When lit for the first time, the appliance will emit a slight odor for awhile. This is due to paint and lubricants used in the manufacturing process. After each lighting, vapor may condense and fog the glass; this moisture disappears within a few minutes of burning.


Lighting and Operating Instructions

FOR YOUR SAFETY READ BEFORE LIGHTING

WARNING: If you do not follow these instructions exactly, a fire or explosion may result causing property damage, personal injury or loss of life.

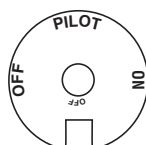
- A. This heater has a pilot which must be lit manually. When lighting the pilot follow these instructions exactly.
- B. BEFORE LIGHTING smell all around the heater area for gas. Be sure to smell next to the floor because some gas is heavier than air and will settle on the floor.
- WHAT TO DO IF YOU SMELL GAS**
- Do not try to light any fireplace
 - Do not touch any electric switch
 - Do not use any phone in your building
 - Immediately call your gas supplier from a neighbor's phone. Follow the gas supplier's instructions.
- C. If you cannot reach your gas supplier, call the Fire Department
- C. Use only your hand to push in or turn the gas control knob. Never use tools. If the knob will not push in or turn by hand, do not try to repair it, call a qualified service technician. Applying force or any attempted repair may result in a fire or explosion.
- D. Do not use this fireplace if any part has been under water. Immediately call a qualified service technician to inspect the heater and to replace any part of the control system and any gas control which has been under water.

Lighting Instructions

1. **STOP!** Read the safety information above.
2. Turn off all electrical power to the fireplace.
3. For MN/MP/TN/TP appliances ONLY, go on to Step 4. For RN/RP appliances turn the On/Off switch to "OFF" position or set thermostat to lowest level.
4. Open control access panel.
5. Push in gas control knob slightly and turn clockwise  to "OFF".




Euro SIT



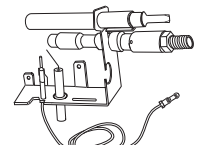
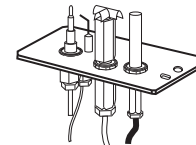
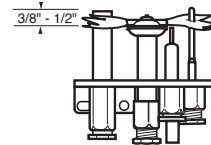
SIT NOVA



Honeywell

6. Wait five (5) minutes to clear out any gas. Then smell for gas, including near the floor. If you smell gas, STOP! Follow "B" in the safety information above. If you do not smell gas, go to the next step.
7. Remove glass door before lighting pilot. (See Glass Frame Removal section).
8. Visibly locate pilot by the main burner.
9. Turn knob on gas control counterclockwise  to "PILOT".

10. Push the control knob all the way in and hold. Immediately light the pilot by repeatedly depressing the piezo spark ignitor until a flame appears. Continue to hold the control knob in for about one (1) minute after the pilot is lit. Release knob and it will pop back up. Pilot should remain lit. If it goes out, repeat steps 5 through 8.



- If knob does not pop up when released, stop and immediately call your service technician or gas supplier.
 - If after several tries, the pilot will not stay lit, turn the gas control knob to "OFF" and call your service technician or gas supplier.
11. Replace glass door.
 12. Turn gas control knob to "ON" position.
 13. For RN/RP appliances turn the On/Off switch to "ON" position or set thermostat to desired setting.
 14. Turn on all electrical power to the fireplace.

To Turn Off Gas To Heater

1. Turn the On/Off switch to Off position or set the thermostat to lowest setting.
2. Turn off all electric power to the fireplace if service is to be performed.
3. Open control access panel.
4. Push in gas control knob slightly and turn clockwise  to "OFF". Do not force.
5. Close control access panel.

Vent Safety Switch

This fireplace incorporates the use of a Vent Safety Shut-off Switch. The sensor and wiring are factory installed and should not be removed or altered during installation.

In the event of total flue blockage the system will detect the increased heat buildup and will automatically shut down the main burner assembly.

The sensor is located above the firebox behind the top louvre assembly. It is accessible by removing the top louvre assembly.

CAUTION: The firebox, Vent Safety Switch sensor and surrounding panels become very hot during normal operation. Allow time for the components to cool before carrying out any service or inspection.

If the sensor is activated and shuts off the burner assembly, the following procedure should be followed:

- Observe that the pilot flame is still ON. If the pilot flame has gone out the reason for the fireplace shut down is not the vent safety switch.
- Turn the pilot flame OFF and close all controls. Allow the fireplace to cool.
- Check the flue and venting components for blockage or restrictions.
- Remove the front louvre assembly.
- Locate the sensor.
- Reset the sensor by pressing the reset pin between the two wire terminals. (Fig. 18)

CAUTION: The components may still be hot.

- Light the fireplace and check for downdrafts.
- Operate the fireplace in the normal manner. If the burner assembly shuts down again after a period of operation, **DO NOT ATTEMPT TO RESET THE SENSOR AGAIN.** Turn off the fireplace and contact your service technician.

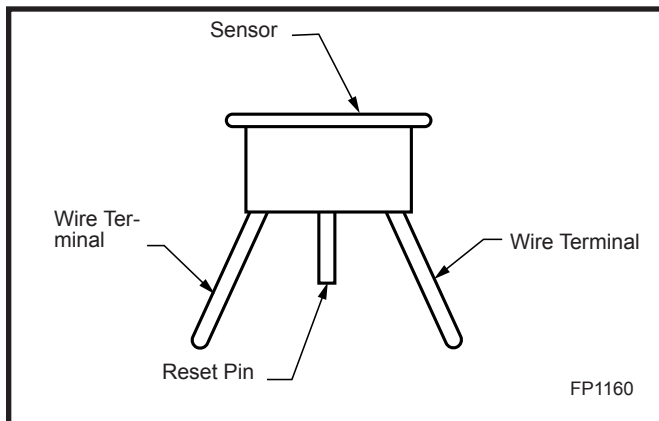


Fig. 18 Vent Safety Switch.

Electrical Connection

The sensor is wired in series between the wall mounted ON/OFF switch and the Electronic Ignition Module (Fig. 19) or the thermopile and the gas valve (Fig. 20)

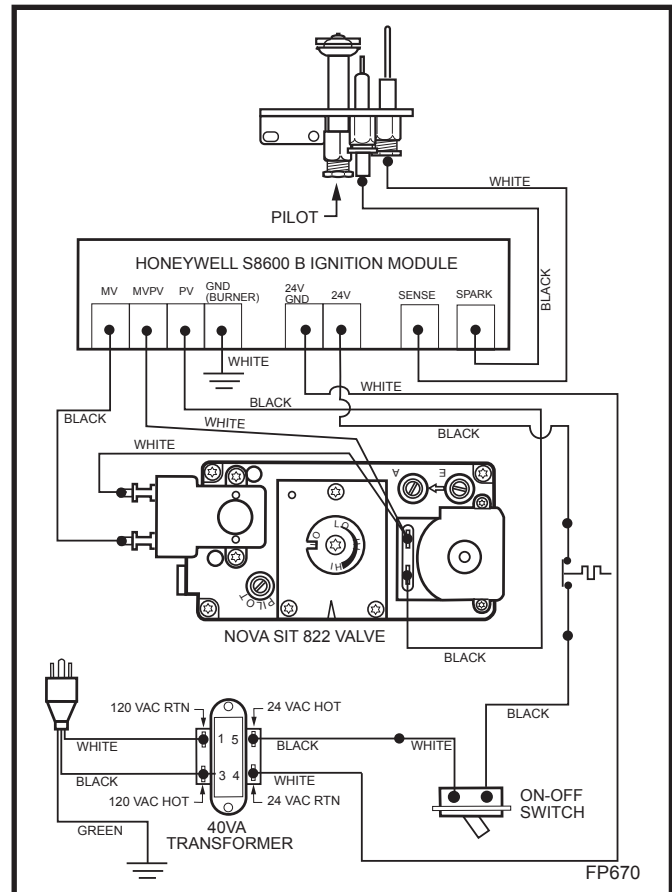


Fig. 19 Vent Safety Switch wiring, EN/EP units.

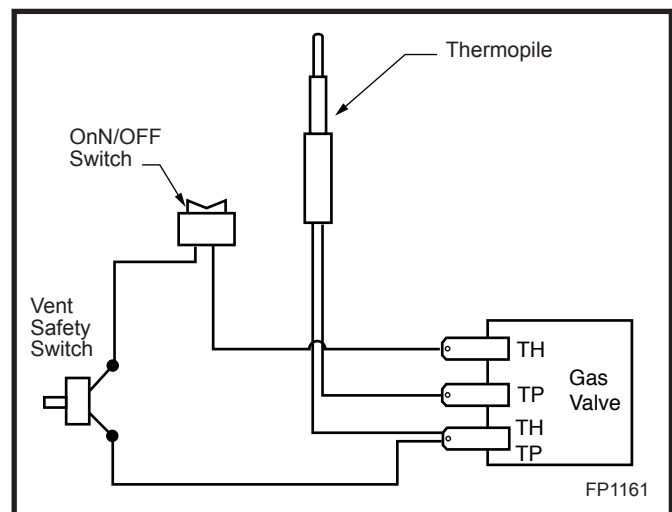
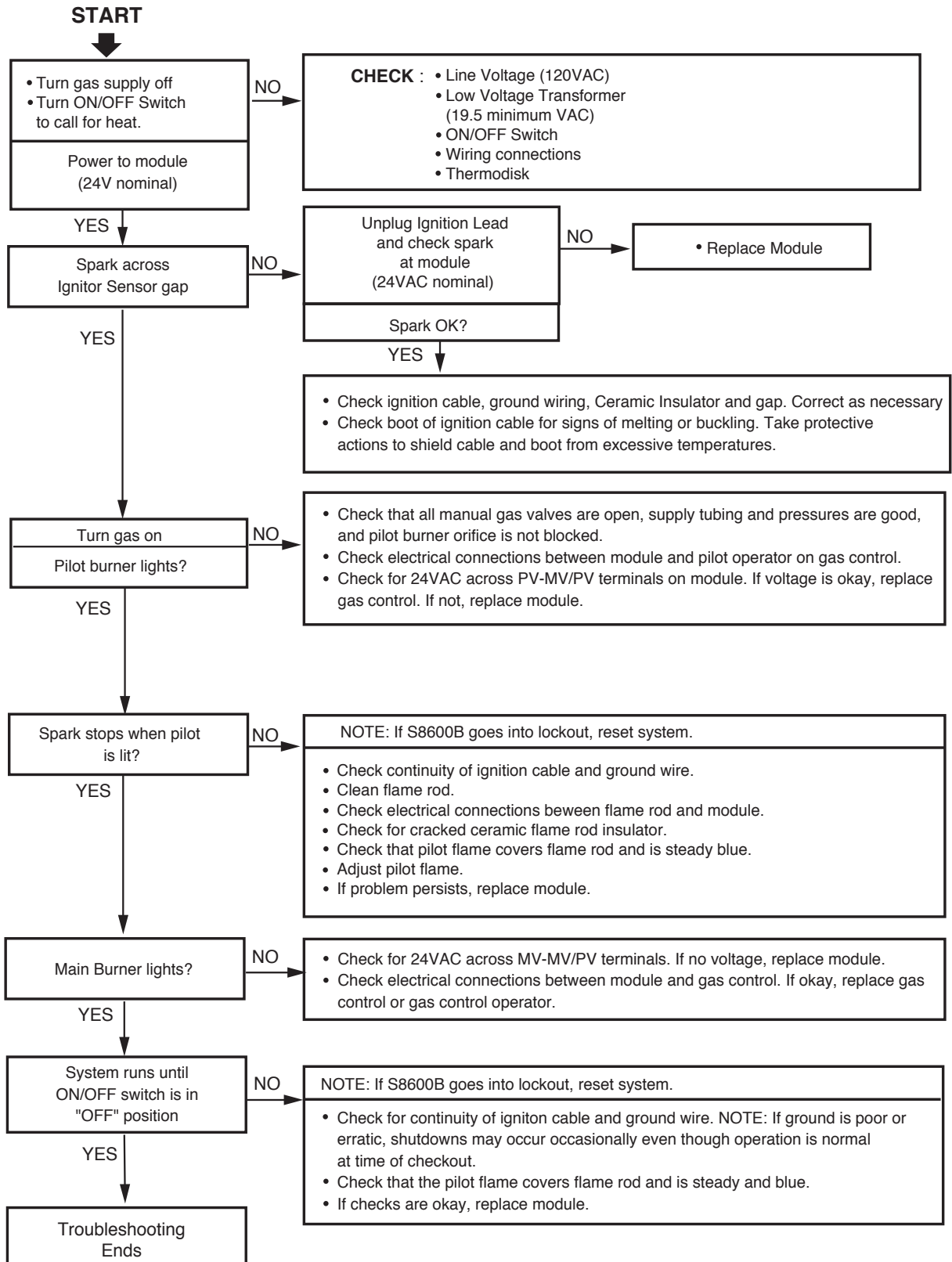


Fig. 20 RN/RP units using a remote ON/OFF switch.

Troubleshooting

Honeywell Electronic Ignition



Troubleshooting

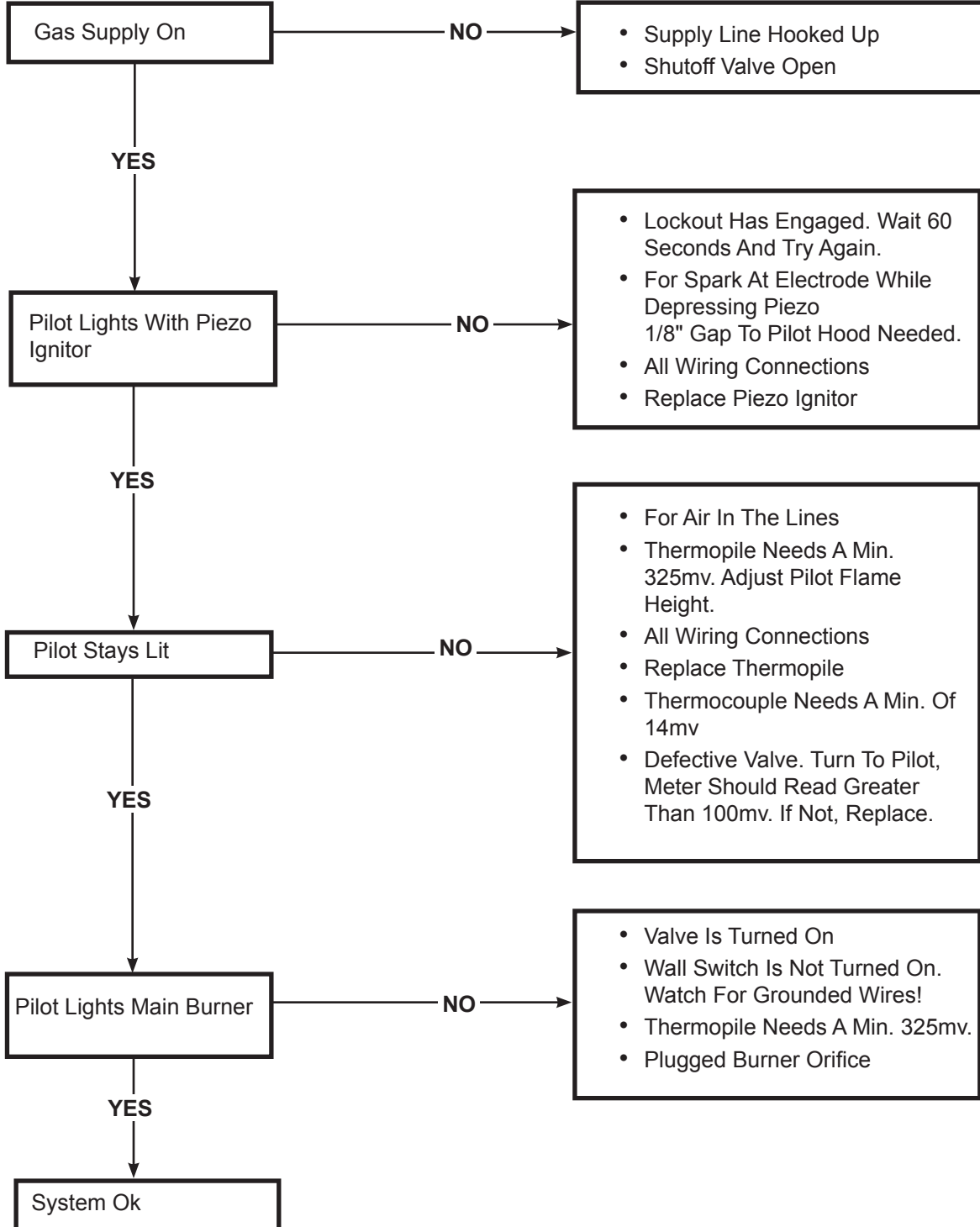
Honeywell VS8421



Remove glass door before service work

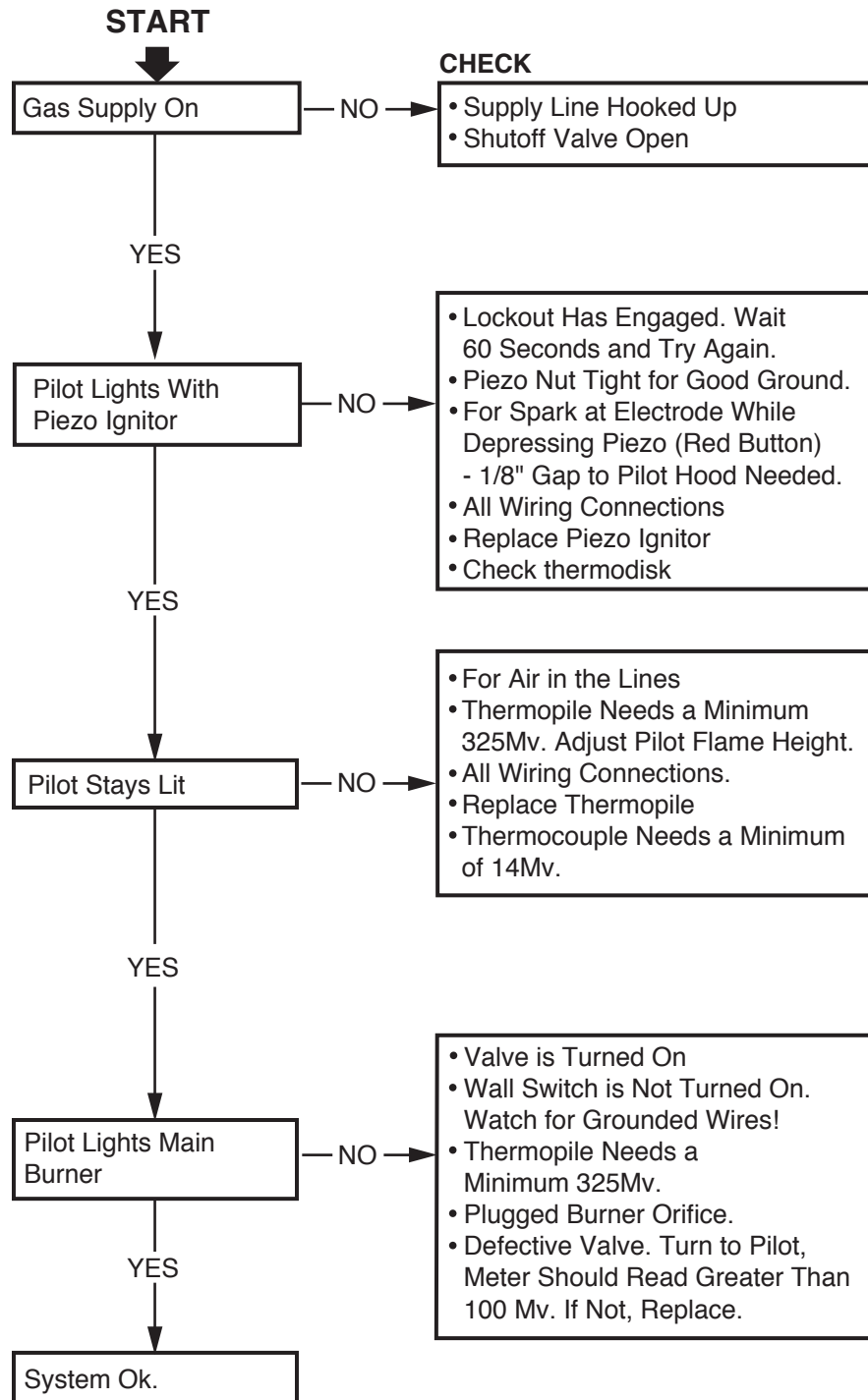
START

CHECK



Troubleshooting

Nova SIT 820 Standing Pilot



Maintenance

Burner and Burner Compartment

It is important to keep the burner and the burner compartment clean. At least once per year the logs and lava rock/ember material should be removed and the burner compartment vacuumed and wiped out. Remove and replace the logs as per the instructions in this manual.



Always handle the logs with care as they are fragile and may also be hot if the fireplace has been in use.

FK24 Fan Assembly

The fan unit requires periodic cleaning. At least once per month in the operating season, open the lower louver panels and wipe or vacuum the area around the fan to remove any build up of dust or lint.

Brass Trim

Clean the brass trim pieces using a soft cloth lightly dampened with lemon oil. Do not use water or household cleaners on any brass components.

Cleaning the Standing Pilot Control System

The burner and control system consists of

- burner tube
- gas orifice
- pilot assembly
- thermopile
- millivolt gas valve

Most of these components may require only an occasional checkup and cleaning and some may require adjustment. **If repair is necessary, it should be performed by a qualified technician.**



CAUTION: Logs may be hot!

1. Turn off pilot light at gas valve side.
2. Let fireplace cool if it has been running.
3. Remove window frame assembly. (Refer to Window Frame Assembly Removal section)
4. Remove logs.
5. Vacuum burner compartment especially around orifice primary air openings.
6. Visually inspect pilot. Brush or blow away any dust or lint accumulation.
7. Reinstall logs.
8. Ignite pilot - Refer to Lighting Instructions.
9. Reinstall window frame assembly.

To obtain proper operation, it is imperative that the pilot and burner's flame characteristics are steady, not lifting or floating.

Typically, the top 3/8" or 1/2" of the thermopile should be engulfed in the pilot flame. (Fig. 21)

To adjust pilot burner; (by qualified service technician)

1. Remove pilot adjustment cap.
2. Adjust pilot screw to provide properly sized flame.
3. Replace pilot adjustment cap.

The primary air shutter is set at factory and should only be adjusted, if necessary, by a qualified service technician.

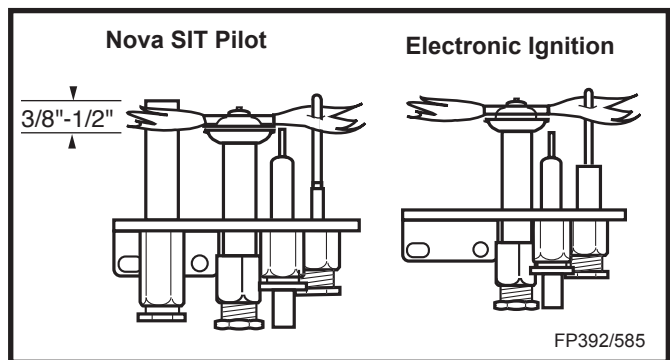
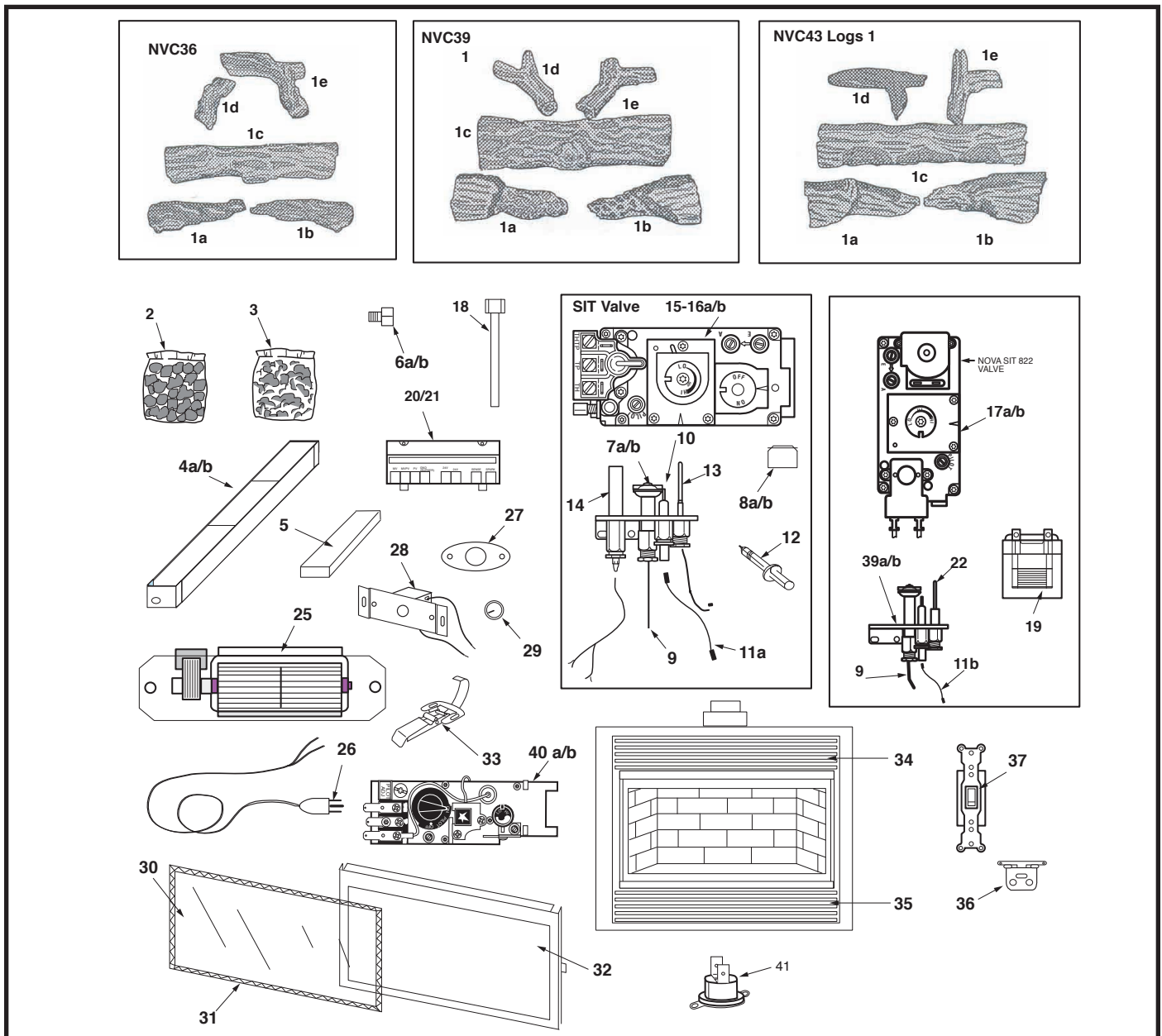


Fig. 21 Correct pilot flame appearance.



CFM Corporation reserves the right to make changes in design, materials, specifications, prices and discontinue colors and products at any time, without notice.

NVC36/39/43

Ref.	Description	NVC36	NVC39	NVC43
1.	Log Set Complete	10000022	10000024	10000025
1a.	Log Front Left	BB6	BC5	BD6
1b.	Log Front Right	BB7	BC6	BD7
1c.	Log Rear	BE5	BC7	BD8
1d.	Log Top Left	BB9	BC8	BD9
1e.	Log Top Right	BB10	BC9	BD10
2.	Lava Rock (pkg)	55255	55255	55255
3.	Ember (pkg)	51915	51915	51915
4a.	Burner Housing w/tile-Nat	10000027	10000033	10000029
4b.	Burner Housing w/tile-LP	10000028	10000694	10000030
5.	Ceramic tile (Single)	57803	57803	57803

NVC36/39/43 (continued)

Ref.	Description	NVC36	NVC39	NVC43
6a.	Orifice Front Burner-Nat.		See Rating Plate	
6b.	Orifice Front Burner-LP		See Rating Plate	
7a.	Pilot Assy- SIT Top Convertible, LP	10002265	10002265	10002265
7b.	Pilot Assy - SIT Top Convertible, Nat.	10002264	10002264	10002264
8a.	Orifice Pilot - Nat.	54273	54273	54273
8b.	Orifice Pilot - LP	54272	54272	54272
9.	Pilot Tubing w/Fittings	53211	53211	53211
10.	Electrode Ignitor	52465	52465	52465
11a.	Cable Ignitor (RNRP/VN/VP) 24"	53194	53194	53194
		7522432	7522432	7522432
11b.	Cable Ignitor (EN/EP)	10000696	10000696	10000696
12.	Ignitor Piezo	52464	52464	52464
13.	Thermocouple (RN/RP/VN/VP)	53373	53373	53373
14.	Thermopile (RN/RP)	51827	51827	51827
15a.	Valve SIT - RN	52677	52677	52677
15b.	Valve SIT - RP	52678	52678	52678
16a.	Valve SIT - VP	57587	57587	57587
16b.	Valve SIT - VN	57588	57588	57588
17a.	Valve SIT - EN	57884	57884	57884
17b.	Valve SIT - EP	57883	57883	57883
18.	Manifold Tubing w/Fittings	57318	57318	57318
19.	Transformer (VN/VP/EN/VP)	7522409	7522409	7522409
20.	Ignition Device Syntek (EN/EP)	57899	57899	57899
21.	Ignition Device Honeywell (EN/EP)	20000005	20000005	20000005
22.	Sensing Electrode (EN/EP)	57885	57885	57885
23.	Wire Harness (EN/EP) Syntek Ign. (not shown)	10000417	10000417	10000417
24.	Wire Harness (EN/EP) Honeywell Ign. (not shown)	10000609	10000609	10000609
25.	Fan w/Bracket (FK24)	54103	54103	54103
26.	Electrical Cord - 6 ft.	51865	51865	51865
27.	Fan Temperature Sensor	51704	51704	51704
28.	Speed Control	51738	51738	51738
29.	Speed Control Knob	51882	51882	51882
30.	Glass w/Gasket	10001781	10002821	57438
31.	Gasket Glass	57317	57317	57317
32.	Frame Window	57937	10000695	57977
33.	Clamp Frame Window	54174	54174	54174
34.	Louvre Assembly Top	10000037	10000039	10000041
35.	Louvre Assembly Bottom	10000038	10000040	10000042
36.	Hinge	52356	52356	52356
37.	Switch ON/OFF	51842	51842	51842
38.	Remote Switch Kit (not shown)	53875	53875	53875
39a.	Pilot Assy - Nat.	10002387	10002387	10002387
39b.	Pilot Assy - LP	10002388	10002388	10002388
40a.	Valve - Honeywell VS8421 - Nat.	10001782	10001782	10001782
40b.	Valve - Honeywell VS8421 - LP	10001759	10001759	10001759
41.	Vent Safety Switch	10002013	10002013	10002013

Optional Accessories

Fan Kits

FK12 Fan Assembly

1. Open louvre assembly bottom.
2. Install FK12 fan in back of unit between hearth supports.
3. Secure fan on velcro strips.
4. Power to the fan can be supplied by plugging the supply lead into a conveniently located wall socket or by using a hard-wired EB-1 connector box.
5. Be sure fan motor does not touch nearby metal.

FK24 Fan Assembly

Fan specifications: 120 volt, 60 Hz, .75 Amps

This fan does not need regular maintenance, however periodic cleaning is required. Check the area under the control door and in front of the fan and wipe or vacuum at least once a month during the operating season. Should this fan require servicing, the power supply must be disconnected.

The FK-24 comes with the electrical cord attached.

1. Slide fan assembly from the left side into the fireplace opening, line up mounting holes with screw studs on back of fireplace and fasten with #10-24 hex nuts.
2. Install thermal sensor on bottom of firebox using #10-24 hex nuts.
3. **(Option A)** - Place electronic fan speed control box on bottom of fireplace base, lining up mounting holes with screw studs. Fasten fan speed control box with #10-24 hex nuts.

(Option B) - The speed control can be installed in an electrical box at normal wall switch height for convenient access.

4. The power supply may be connected in 2 ways:

Method A - route the 6' (1.8m) lead fitted to the unit to a conveniently located wall socket.

Method B - If the EB-1 receptacle box (Pt. #ZA1200) was correctly connected when the unit was installed, the fan lead can be directly plugged into the EB-1 plug socket.

5. Whether wiring directly to the fan junction box, (Option A) or into the EB-1 (Option B), first ensure cable is secured using box connector.

The fireplace, when installed must be electrically connected and grounded in accordance with local codes or, in the absence of local codes, with the current CSA C22.1 Canadian Electrical Code or for US installations, follow local codes and the National Electrical Code, ANSI/NFPA No. 70.

Hard (Direct) Wire Hook-Up

First connect the ground wire to the ground stud located on the base of either box. Black wire from supply should connect to the variable speed switch. Alternate speed switch wire connects to temperature sensor. Alternate lead from sensor connects to fan. Alternate fan lead connects back to the white supply wire. (Fig. 23)



Any electrical rewiring of this fan must be completed by a qualified electrician.

Turn off all power before hook-up.

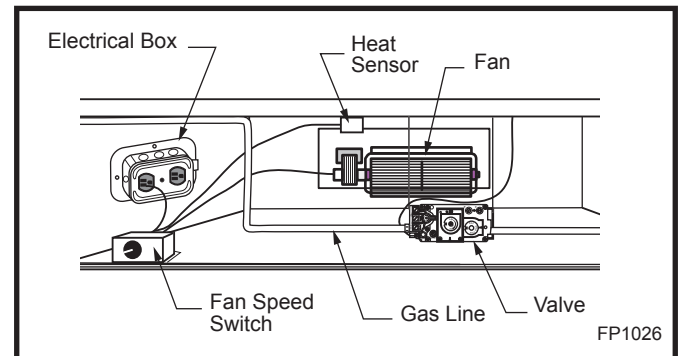


Fig. 22 FK-24 fan placement.

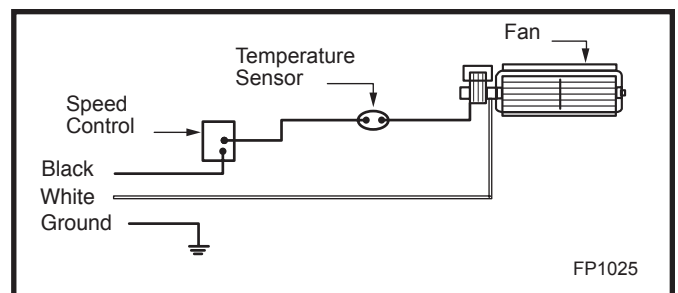


Fig. 23 FK-24 fan wiring.

Remote Controls

Optional remote control units are available to control different functions of the appliance.

Model	Function(s) Controlled
MRC1	ON/OFF
MRC2	ON/OFF and Temperature
MRC3	ON/OFF and Temperature control with a digital and a programmable 24 hour clock
IMT	Wall mounted thermostat control

Ceramic Refractory Panels

Ceramic refractory panels are available to line the firebox area.

Unit	Kit Model
NVC36	NV36CR
NVC39	NV39CR
NVC43	NV43CR

Take care when handling the refractory panels as they are fragile until held in place and supported.

Installation, refer to Figures 24 & 25

1. Remove the window frame assembly.
2. Remove the logs.
3. Place the lower supports for the side refractory panels on the base of the firebox. Place each support so that the slotted hole fits over the forward screw head along the edge of the base.
4. Lay the angular base panels in place on the floor of the firebox on either side of the burner housing assembly.
5. Loosely attach the top adjustable tabs to the studs located in the top of the firebox toward the front corners.
6. Place the rear refractory panel in place. Locate the 'small brick' edge of the panel into the two small supports on the back panel just above the rear log support.
7. Slide the side refractory panels into place to hold the rear panel secure. Adjust the top adjustable tabs to hold the side panel against the firebox wall and secure the tab. Repeat the procedure on the other side.
8. Replace the logs and window frame assembly.

For aesthetic purposes we recommend lining up the horizontal mortar lines.

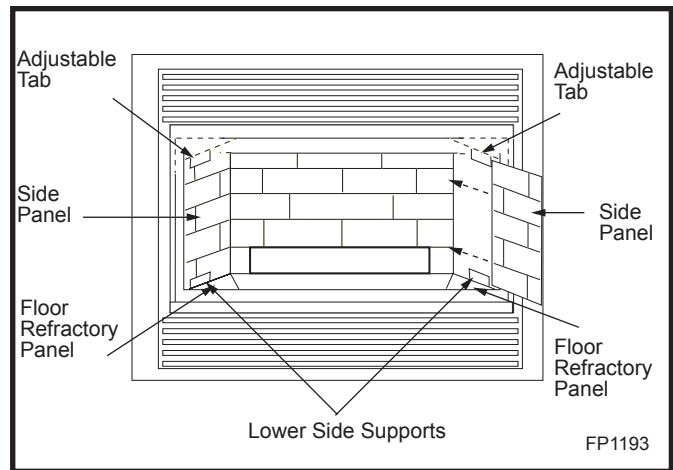


Fig. 24 Install ceramic refractory panels.

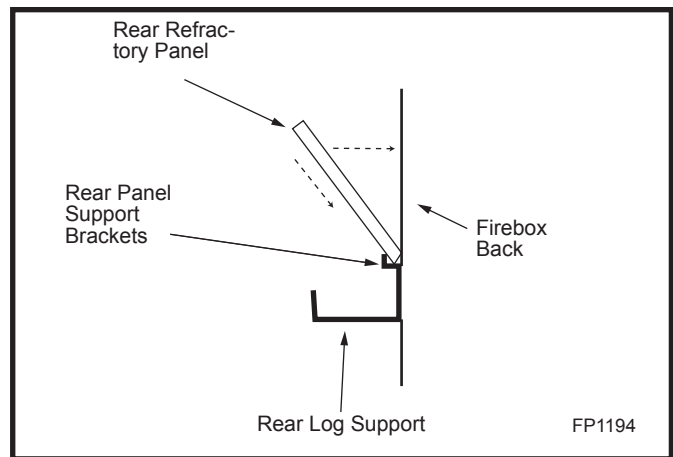


Fig. 25 Place the rear panel on rear support brackets.

Arched Door Front

The arched door front kit is designed to visually enhance the appearance of the NVC fireplace.

To install the door front simply position the magnets as shown in Figure 26. Place the arched door into position and peel off the plastic. (Fig. 27)

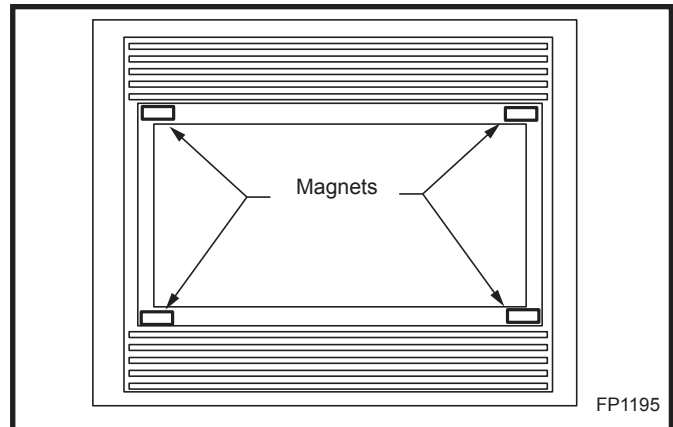


Fig. 26 Install magnets.

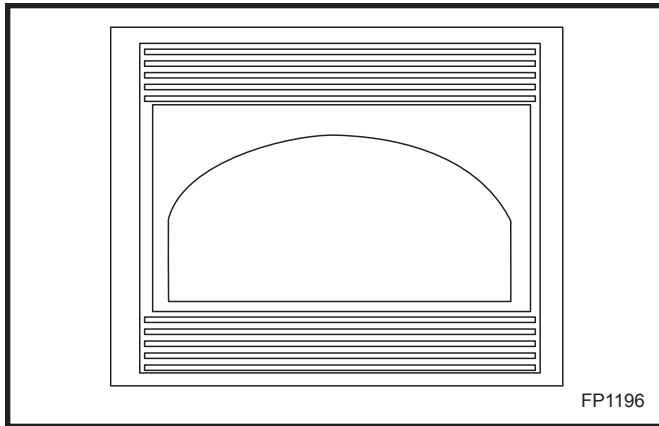


Fig. 28 Arched door front in place.

Decorative Bay Windows

When fitting the Bay Window Kits, the original front frame/glass assembly **MUST** remain in place. The Bay Window kit is fitted over the existing front glass.

Installation

1. Remove the existing louvre assembly bottom complete with the hinges.
2. Remove the louvre assembly top.
3. Assemble the Bay Window Kit according to the instructions supplied with the kit.
4. Place the 2 pieces of ceramic refractory along the base of the bay window. (Fig. 29)
5. Hang the Bay Window assembly over the existing window frame assembly.
6. Reinstall the louvre assembly top.
7. Do not remove the existing window frame assembly.

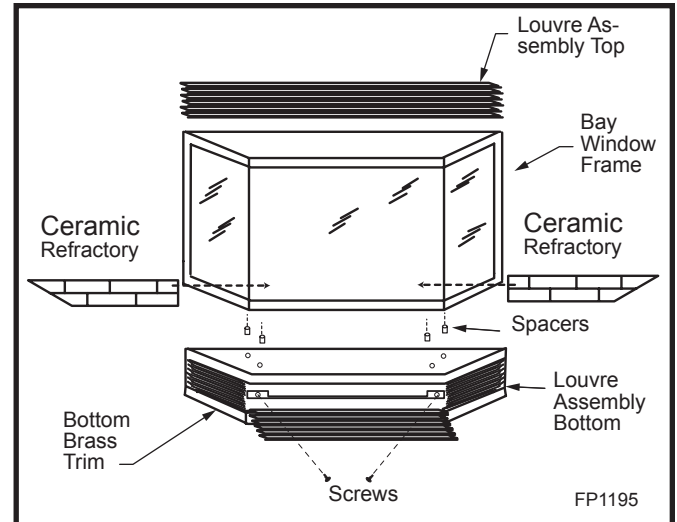


Fig. 29 Bay window.

EB-1 Electrical Box

Standard on electronically controlled models, the EB-1 is also available for other fireplaces.



Installation should be completed by a qualified service person.

Decorative Frame Trims

A selection of decorative frame trim kits are available for mounting around the outside of the appliance to enhance its visual effect on the room. Installation instructions for each decorative frame trim are included with the frame trim kit. Contact your authorized distributor for details of the trim kits and ordering information for the trim kits applicable to this model appliance.

LIMITED LIFETIME WARRANTY

PRODUCT COVERED BY THIS WARRANTY

All Vermont Castings gas stoves, gas inserts, and gas fireplaces, and all Majestic or Northern Flame brand gas fireplaces equipped with an Insta-Flame Ceramic Burner, or standard steel tube burner.

BASIC WARRANTY

CFM Corporation (hereinafter referred to collectively as the Company) warrants that your new Vermont Castings or Majestic Gas Fireplace/Stove is free from manufacturing and material defects for a period of one year from the date of purchase, subject to the following conditions and limitations.

EXTENDED LIFETIME WARRANTY

The heat exchanger, where applicable, and combustion chamber of every Vermont Castings or Majestic gas product is warranted for life against through wall perforation. All appliances equipped with an Insta-Flame Ceramic Burner have limited lifetime coverage on the ceramic burner plaque. Warrantees are made to the original owner subject to proof of purchase and the conditions and limitations listed on this Warranty Document

COMPONENT WARRANTY

CAST IRON: All external and internal cast iron parts are warranted for a period of three years.

Note: On porcelain enamel finished external parts and accessories The Company offers no Warranty on chipping of enamel surfaces. Inspect all product prior to accepting it for any damage to the enamel.

The salt air environment of coastal areas or a high humidity environment can be corrosive to the porcelain enamel finish. These conditions can cause rusting of the cast iron beneath the porcelain enamel finish, which will cause the finish to flake off.

Dye lot variations with replacement parts and/or accessories can occur and are not covered by warranty.

GLASS DOORS: Glass doors are covered for a period of one year. Glass doors are not warranted for breakage due to misuse or accident. Glass doors are not covered for discoloration or burned in stains due to environmental issues, or improper cleaning and maintenance.

BRASS PLATED PARTS AND ACCESSORIES: Brass parts should be cleaned with Lemon oil only. Brass cleaners cannot be used. Mortar mix and masonry cleaners may corrode the brass finish. The Company will not be responsible for, nor will it warrant any brass parts which are damaged by external chemicals or down draft conditions.

GAS VALVES: Gas valves are covered for a period of one year

ELECTRONIC AND MECHANICAL COMPONENTS: Electronic and mechanical components of the burner assembly are covered for one year. All steel tube burners are warranted for one year.

ACCESSORIES: Unless otherwise noted all components and CFM Corporation company supplied accessories are covered for a period of one year.

CONDITIONS AND LIMITATIONS

- This new Vermont Castings or Majestic product must be installed by a competent, authorized, service contractor. A licensed technician, as prescribed by the local jurisdiction must perform any installation/service work. It must be installed and operated at all times in accordance with the Installation and Operating instructions furnished with the product. Any alteration, willful abuse, accident, or misuse of the product shall nullify this warranty.
- This warranty is non-transferable, and is made to the original owner, provided that the purchase was made through an authorized supplier of the Company.
- The customer must pay for any Authorized Dealer in-home travel fees or service charges for in-home repair work. It is the dealers option whether the repair work will be done in the customer's home or in the dealer's shop.
- If upon inspection, the damage is found to be the fault of the manufacturer, repairs will be authorized at no charge to the customer parts and/or labor.

- Any part and/or component replaced under the provisions of this warranty is covered for six months or the remainder of the original warranty, whichever is longest.
- This warranty is limited to the repair of or replacement of part(s) found to be defective in material or workmanship, provided that such part(s) have been subjected to normal conditions of use and service, after said defect is confirmed by the Company's inspection.
- The company may, at its discretion, fully discharge all obligations with respect to this warranty by refunding the wholesale price of the defective part(s)
- Any installation, labor, construction, transportation, or other related costs/expenses arising from defective part(s), repair, replacement, or otherwise of same, will not be covered by this warranty, nor shall the Company assume responsibility for same. Further, the Company will not be responsible for any incidental, indirect, or consequential damages except as provided by law.
- SOME STATES DO NOT ALLOW FOR THE EXCLUSION OR LIMITATIONS OF INCIDENTAL AND CONSEQUENTIAL DAMAGES OR LIMITATIONS ON HOW LONG AN IMPLIED WARRANTY LASTS, SO THE ABOVE LIMITATIONS MAY NOT APPLY TO YOUR CIRCUMSTANCES. THIS WARRANTY GIVES YOU SPECIFIC RIGHTS AND YOU MAY HAVE OTHER RIGHTS WHICH VARY FROM STATE TO STATE.
- All other warranties-expressed or implied- with respect to the product, its components and accessories, or any obligations/liabilities on the part of the Company are hereby expressly excluded.
- The Company neither assumes, nor authorizes any third party to assume on its behalf, any other liabilities with respect to the sale of this Vermont Castings or Majestic product
- The warranties as outlined within this document do not apply to chimney components or other non CFM Corporation accessories used in conjunction with the installation of this product..
- Damage to the unit while in transit is not covered by this warranty but is subject to claim against the common carrier. Contact the dealer from whom you purchased your fireplace/stove (do not operate the appliance as this might negate the ability to process the claim with the carrier).
- The Company will not be responsible for:
 - a) Down drafts or spillage caused by environmental conditions such as near-by trees, buildings, roof tops, hills, or mountains.
 - b) Inadequate ventilation or negative air pressure caused by mechanical systems such as furnaces, fans, clothes dryers, etc.
- This warranty is void if:
 - a) The fireplace has been operated in atmospheres contaminated by chlorine, fluorine, or other damaging chemicals.
 - b) The fireplace has been subjected to prolonged periods of dampness or condensation
 - c) Any damages to the fireplace, combustion chamber, heat exchanger or other components due to water, or weather damage, which is the result of but not limited to, improper chimney/venting installation.
 - d) Any alteration, willful abuse, accident, or misuse of the product has occurred.

IF WARRANTY SERVICE IS NEEDED...

- 1) Contact your supplier. Make sure you have your warranty, your sales receipt, and the model/serial number of your CFM Corporation product.
- 2) DO NOT ATTEMPT TO DO ANY SERVICE WORK YOURSELF.

Canada

ENERGUIDE

Look for the **EnerGuide**
Gas Fireplace Energy
Efficiency Rating in this brochure

Based on CSA P.4.1-02

Efficiency Ratings

Model	EnerGuide Ratings Fireplace Efficiency (%)
NVC36RN	29.4
NVC36RP	29.4
NVC36RFN	29.4
NVC36RFP	29.4
NVC36EN	28.5
NVC36EP	28.5
NVC39RN	26.4
NVC39RP	26.4
NVC39RFN	26.4
NVC39RFP	26.4
NVC39EN	25.6
NVC39EP	25.6
NVC43RN	27.9
NVC43RP	27.9
NVC43RFN	27.9
NVC43RFP	27.9
NVC43EN	27.1
NVC43EP	27.1

NATIONAL
FIREPLACE
INSTITUTE



CERTIFIED
www.nficertified.org

We recommend that our gas hearth products be installed and serviced by professionals who are certified in the U.S. by the National Fireplace Institute® (NFI) as NFI Gas Specialists.

CFM Corporation

2695 Meadowvale Blvd. • Mississauga, Ontario, Canada L5N 8A3
800-668-5323 • www.cfmcorp.com