

INTERCONTINENTAL

COLLECTION BY VERMONT CASTINGS

Inspire Electric Fireplace

Model: ICVCEFP01

**Trim Models: ICVCTK01 Black Trim Kit,
ICVCTK02 Pewter Trim Kit**



INSTALLER / CONSUMER SAFETY INFORMATION

**PLEASE READ THIS MANUAL BEFORE
INSTALLING AND USING APPLIANCE**

WARNING!

**IF THE INFORMATION IN THIS MANUAL IS NOT
FOLLOWED EXACTLY, AN ELECTRICAL SHOCK
OR FIRE MAY RESULT CAUSING PROPERTY
DAMAGE, PERSONAL INJURY OR LOSS OF LIFE.**

FOR YOUR SAFETY

**Service must be performed by a qualified service
agency.**

**DO NOT STORE OR USE GASOLINE OR OTHER
FLAMMABLE LIQUIDS IN THE VICINITY OF THIS
OR ANY OTHER APPLIANCE**



C US

Thank you and congratulations on your purchase of a CFM Corporation electric fireplace.

IMPORTANT: Read all instructions and warnings carefully before starting installation. Failure to follow these instructions may result in a possible electric shock, fire hazard and will void the warranty.

**PLEASE READ THE INSTALLATION & OPERATING INSTRUCTIONS
BEFORE USING THIS APPLIANCE**

Table of Contents

Installation Instructions	
General.....	3
Locating your fireplace	3
Clearance to combustibles	3
Fireplace dimensions.....	4
Electrical specifications	4
Electrical connection.....	4
Grounding instructions.....	4
Direct (Hard) Wiring Electric Fireplace	5
Fireplace Assembly	
Unpack the appliance	6
Carton contents	6
Appliance mounting	6
Heater assembly.....	6
Trim assembly	6
Operating Instructions	
Heater operation.....	8
Frequency setting information	8
Maintenance	
Light bulb replacement	9
Care and cleaning	9
Replacement Parts	10
Warranty	11

Installation Instructions

General

1. Read all instructions before using this appliance.
2. This appliance is hot when in use. To avoid burns, do not let bare skin touch hot surfaces. If provided, use handles when moving this appliance. Keep combustible materials, such as furniture, pillows, bedding, papers, clothes and curtains away at least 3' (914 mm) from the front of this appliance.
3. **CAUTION: Extreme caution is necessary when any heater is used by or near children or invalids and whenever the heater is left operating unattended.**
4. If possible, always unplug this appliance when not in use.
5. Do not operate any heater with a damaged cord or plug or after the appliance malfunctions, has been dropped or damaged in any manner.
6. Any repairs to this appliance should be carried out by a qualified service person.
7. Under no circumstances should this appliance be modified. Parts having to be removed for servicing must be replaced prior to operating this fireplace again.
8. Do not use outdoors.
9. This heater is not intended for use in bathrooms, laundry areas and similar indoor locations. Never locate this appliance where it may fall into a bathtub or other water container.
10. Do not run cord under carpeting. Do not cover cord with throw rugs, runners or the like. Arrange cord away from traffic areas and where it will not be tripped over.
11. To disconnect this appliance, turn controls to the off position, then remove plug from outlet.
12. Connect to properly grounded outlets only.
13. This appliance, when installed must be electrically grounded in accordance with local codes, with the current CSA C22.1 Canadian Electrical codes or for US installations, follow local codes and the National Electric Code, ANSI/NFPA No. 70.
14. Do not insert or allow foreign objects to enter any ventilation or exhaust opening as this may cause an electric shock, fire or damage the appliance.
15. To prevent possible fire, do not block air intakes or exhaust in any manner. Do not use on soft surfaces, like a bed, where openings may become blocked.
16. This appliance has hot and arcing or sparking parts inside. Do not use it in areas where gasoline, paint or flammable liquids are used or stored. This appliance should not be used as a drying rack for clothing, nor should Christmas stockings or decorations be hung on or near it.
17. Use this appliance only as described in this manual. Any other use not recommended by the manufacturer may cause fire, electric shock or injury to persons.
18. Avoid the use of an extension cord because of the risk of overheating the cord and the risk of fire. Extension cords are for temporary use only. If an extension cord must be used, it must be UL/CSA certified, rated at 15A (1875W), 125 V maximum with 14 AWG minimum and constructed of two current carrying conductors with ground. A heavy duty extension cord with the shortest length possible for this connection is recommended and must not be longer than 50 ft. (15.2 m). Do not coil or cover the extension cord.

Locating Your Fireplace

When choosing a location for your new fireplace, ensure the general instructions are followed. Also, for best effect, install the fireplace out of direct sunlight.

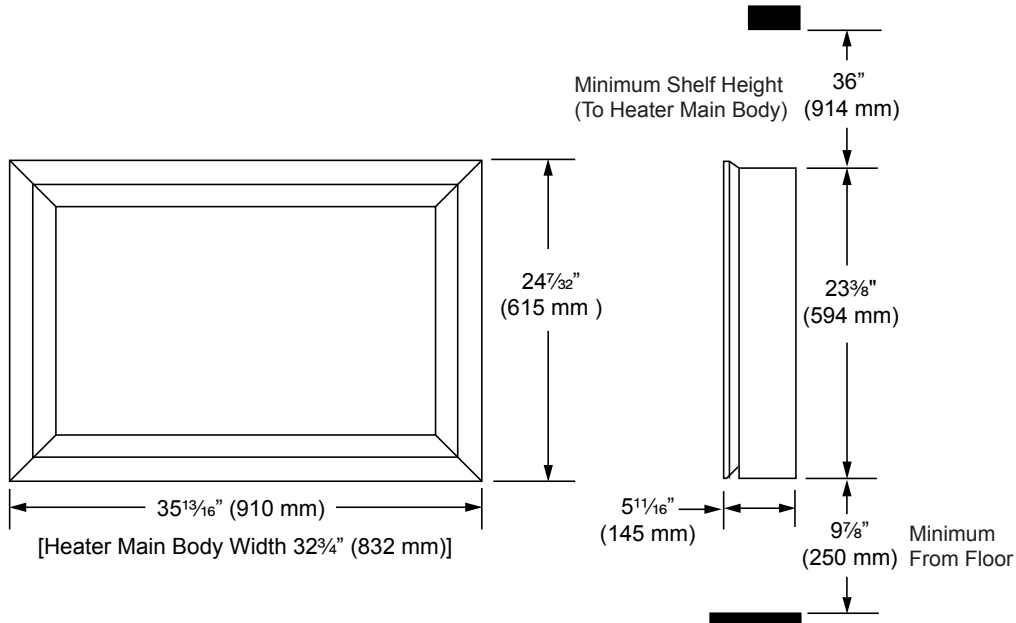
Clearance to Combustibles

Sides (including trim assembly)	0" (0 mm)
Bottom.....	9 ⁷ / ₈ " (250 mm)
Top	3' (914 mm)

Unit: EFHI4S0

**SAVE THESE
INSTRUCTIONS**

Fireplace Dimensions



Electrical Specifications

Voltage	120V ac, 60 Hz
Total Amps	7.9 Amps
Total Watts	1050W
Heater Rating	2 x 500W
Illumination	2 x 20W Low Energy Bulb



Do not use this fireplace if any part of it has been under water. Immediately call a qualified service technician to inspect the fireplace and replace any part of the electrical system which has been under water.

Electrical Connection

A 15 amp, 120 Volt, 60 Hz circuit with a properly grounded outlet is required. Preferably, the fireplace will be on a dedicated circuit as other appliances on the same circuit may cause the circuit breaker to trip or the fuse to blow when the heater is in operation. The unit comes standard with a 6 ft. (1.8 m) long three wire cord, exiting the left side of the fireplace. Plan the installation to avoid the use of an extension cord. Extension cords are for temporary use only. If an extension cord must be used, it must be UL/CSA certified, rated at 15A (1875W), 125V maximum with 14 AWG minimum and constructed of two current carrying conductors with ground. A heavy duty extension cord with the shortest length possible for the connection is recommended and must not be longer than 50 ft. (15.2 m). Do not coil or cover the extension cord.

Grounding Instructions

This heater is for use on 120 volts. The cord has a plug as shown at A in Figure 1. An adapter as shown at C is available for connecting three-blade grounding-type plugs to two-slot receptacles. The green grounding lug extending from the adapter must be connected to a permanent ground such as a properly grounded outlet box. The adapter should not be used if a three-slot grounded receptacle is available.



Electrical outlet wiring must comply with local building codes and other applicable regulations to reduce the risk of fire, electrical shock and injury to persons.

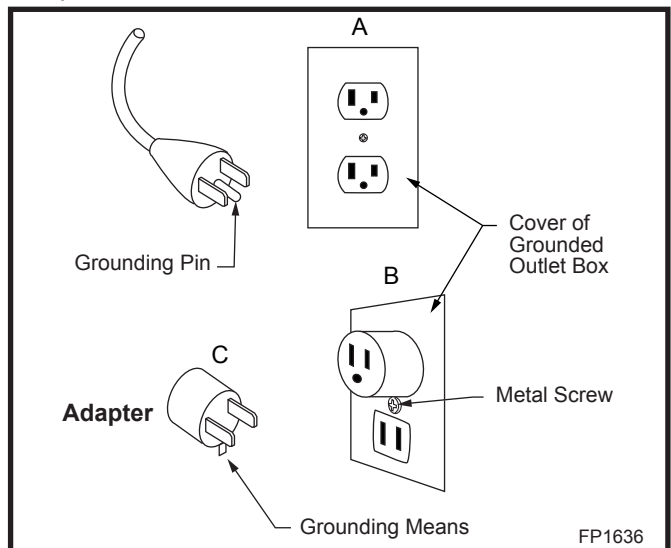


Fig. 1 Grounding methods.

Direct (Hard) Wiring Electric Fireplace _____

WARNING: This procedure must be conducted by a qualified electrician, in accordance with National and local codes. In the U.S.A., the installation must conform to the National Electrical Code, ANSI/NFPA No. 70. In Canada, the installation must conform to the current CSA C22.1 Canadian Electrical Code.

WARNING: Make sure the power to the unit is off, and the power cord is unplugged from the wall outlet before proceeding with this conversion. Failure to do so may result in property damage, personal injury or loss of life. This instruction is intended as a guide for replacing the power cord supplied with the electric fireplace with direct (hard) wiring.

NOTE: When direct wiring this appliance, it must be connected to a 15 Amp dedicated circuit breaker or fuse in the electrical panel of the dwelling. The cable between the circuit/fuse panel and the fireplace must meet all local and national codes, and in no case shall the wires be less than 14 gauge.

1. Make sure the power to the unit has been turned off, the master ON/OFF switch located under the appliance on the left hand side is turned off, the power cord is unplugged from the wall outlet and the appliance has cooled down.
2. Follow Steps 1 through 4 in "Light Bulb Replacement" section, Page 9.
3. Remove two (2) screws per side for the brackets and the fireplace screen to be removed and set aside.
4. Remove one (1) screw per side of the bulb housing assembly to remove and set aside.
5. Remove two (2) screws per side for the left side cover. This allows the cover to be opened for access to where the power cord enters the strain relief and the compartment.
6. Using wire cutters, gently cut the power cord inside the compartment, flush to the strain relief. Also, repeat for the power cord outside the compartment.
7. Back inside the compartment, gently separate the three (3) wires of the power cord into separate wires by gently pulling them apart. DO NOT use a knife, as this may expose bare conductors. The hot wire is connected to the main power switch and is terminated with a straight terminal connector. The neutral wire is connected at the circuit board's screw clamp terminal block. The green ground wire is attached to the ground stud. Use a 5/16" (8 mm) socket or wrench to remove the brass nut, brass lock washer and brass cup washer and set aside. Remove and discard the cut power cord ground wire.
8. Using a slotted screwdriver, remove the 7/8" (22 mm) diameter knockout above the old power cord strain relief.
9. Route the power cable from the breaker/fuse panel through the 7/8" (22 mm) diameter hole. Secure the cable to the compartment using an approved clamp. The wires should extend approximately 6" (152 mm) into the compartment.
10. Connect the ground wire from the power cable by wrapping it around the ground stud of the unit and securing it firmly with the brass cup washer, brass lock washer and brass nut.
11. Using wire strippers, strip approximately 5/8" (15 mm) from the ends of the hot and neutral wires. Using an approved wire nut, connect the hot lead (black) of the power cable to the power cord wire that ends at the main power switch. Similarly, using another wire nut, connect the neutral wire (white), of the power cable to the power cord ending at the screw clamp terminal block of the circuit board. It is recommended that the wire nuts be taped to the wires, using electrical tape, as an extra safety measure.
12. For extra safety measure, visually check and fix the wire routing appropriately. Refer to the wiring diagram on the unit or in the instruction manual if any wires have been dislodged.
13. Turn the power to the unit on at the breaker/fuse panel. Place the appliance into operation and check to make sure all of the systems are working properly.

Fireplace Assembly

Unpack the Appliance

The Inspire Electric Heater is supplied in two (2) cartons. All instructions should be read before beginning installation.

Carton 1 contents

- 1, Electric heater main body
- 1, Remote control handset with battery
- 1, Mounting hanger
- 1, Mounting hardware kit [#12 x 1/2" long screws (6), wall anchors (6), #8 x 1/4" short screws (4)]
- 1, Installation instructions
- 1, Pebble pack
- 2, Insert panels

Carton 2 contents

- 1, Trim assembly w/ six (6) magnets

Appliance Mounting

The heater must be mounted to a suitable wall using the mounting hanger provided. Consider the **minimum clearance** dimensions referenced on Page 3 and 4 for the mounting location. The following steps are for one method that can be used at your own risk. A helper is recommended.

1. Become familiar with the mounting hanger and how it fits to the rear of the electric heater main body. (Fig. 2)

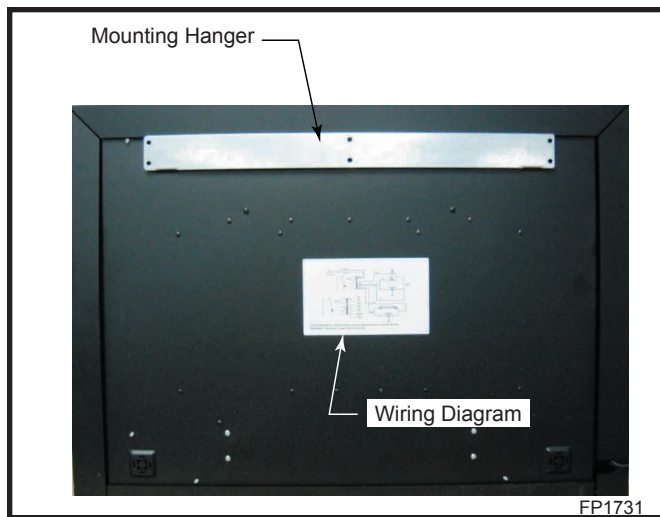


Fig. 2 Rear view of Inspire with mounting hanger in place.

2. Locate the heater main body on the wall and mark (erasable) either the bottom or top edge and one side for the heater location. If the heater is to be centered on the wall area, the side mark is not necessary. Set the heater main body down.
3. Mark a horizontal line 21 1/8" (536 mm) from the lower line or 2 1/4" (58 mm) from the upper line.

4. Measure half the width [16 3/8" (416 mm)] of the heater main body and mark a vertical line to cross the horizontal line. If the heater main body is to be centered on the wall area, mark a vertical center line to cross that horizontal line. Where the horizontal and vertical marks cross is the location of the upper center mounting hanger hole.
5. Use an appropriate level and mark and measure the locations for the remaining holes of the mounting hanger. Use the mounting hanger as a template.
6. Use the long screws provided to mount the hanger in place. A #3 Phillips screwdriver is recommended. Depending on the wall type, proper anchors have to be used. For your convenience, expansion anchors are provided. Be sure to check the anchors for suitability for the wall type.
7. Mount the heater main body to the hanger.

Heater Assembly

Before assembling the trim to the heater main body, arrange the pebbles onto the plastic front form (ember lava rock), to give the best decorative effect. Refer to front cover for example. If necessary, the side brackets for the plastic front form may need to be removed to fit and reinstall.

Trim Assembly

Place the trim insert panels on either side of the trim and secure to the trim using the screws provided. (Two (2) screws on either side)

1. Remove the protective plastic bag and place the trim on it to prevent any damage to the front while working.
2. Peel off the protective plastic coating (if available) on the insert panel.
3. Place the insert panel on either side as shown in Figure 3. Secure each panel using two (2) short screws. The screws fit into slots in the trim. A medium #2 Phillips screwdriver is recommended.
4. Double the six (6) magnets and place on the trim in three locations as shown in Figure 4.

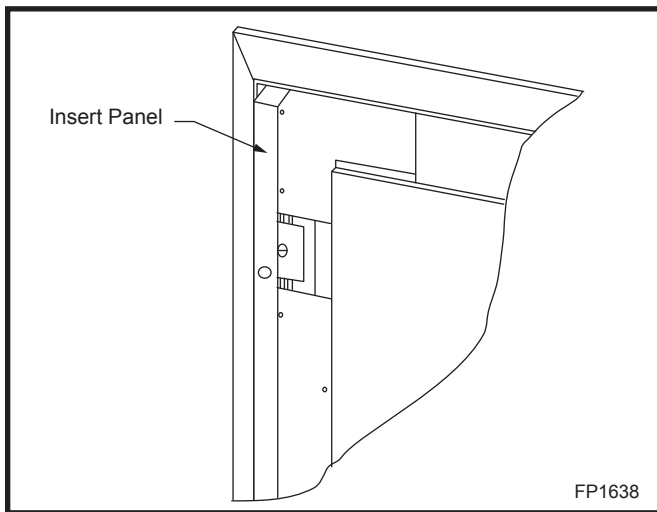


Fig. 3 Place insert panels on either side of trim.

5. Hang the trim to the heater main body's upper trim support at a slight angle and between the trim insert panels. Slowly, swing the trim down until the magnets catch to the heater main body.

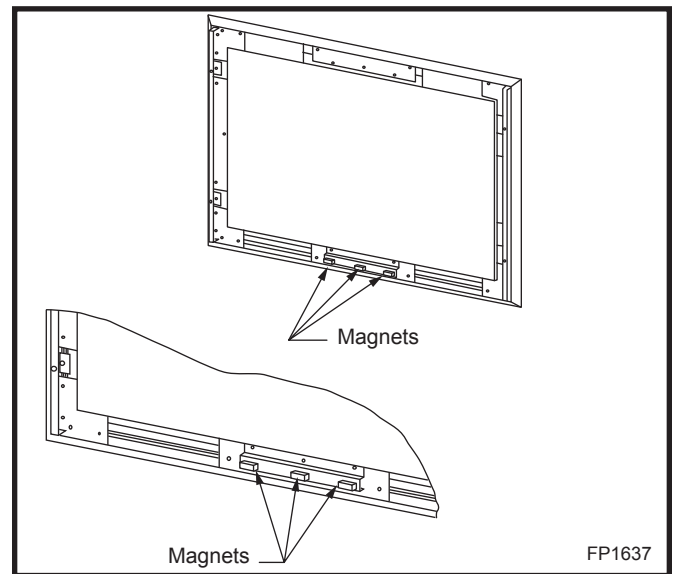


Fig. 4 Trim magnet location.

Operating Instructions

Heater Operation

The heater is operated by the remote control handset. A master ON/OFF switch is located under the appliance on the left hand side. This is used to turn the appliance completely off.

All further operations are controlled by using the remote control handset. (Fig. 5)

1. Ensure the appliance is plugged in and switched on.
2. To turn the fire on, press the fire on/flame effect button.
3. For low heat, ensure the flame effect is on and press the low heat button once. To turn the low heat off, press the low heat button a second time. The fire will now be running with flame effect only.
4. For high heat, ensure the flame effect and low heat settings have been switched on. Press the high heat button. The high heat button will only work if the flame effect and low heat have already been switched on. To turn high heat off, press the high heat button a second time. The fire will now be running with low heat.
5. To place the fire in a standby mode at any time, press the fire off button.

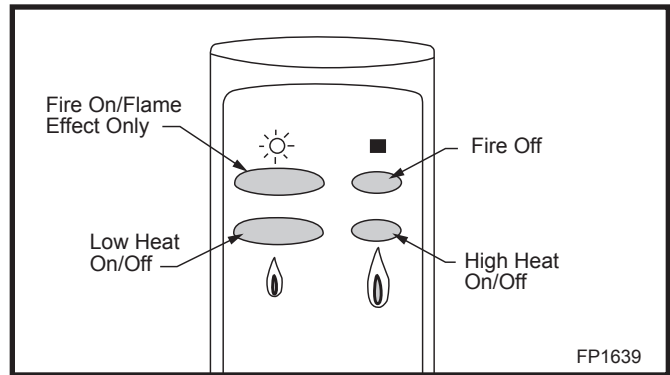


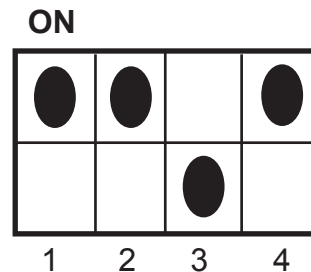
Fig. 5 Remote control handset.

Switch	Marking	Operation
Master ON/OFF	O I	On/Off. Depress to I, this supplies power to the appliance and places it in a standby mode.

Frequency Setting Information

Dial Set	Switch Set
A	ON/ON/ON/ON
B	ON/ON/ON/OFF
C	ON/ON/OFF/ON
D	ON/ON/OFF/OFF
E	ON/OFF/ON/ON
F	ON/OFF/ON/OFF
G	ON/OFF/OFF/ON
H	ON/OFF/OFF/OFF
I	OFF/ON/ON/ON
J	OFF/ON/ON/OFF
K	OFF/ON/OFF/ON
L	OFF/ON/OFF/OFF
M	OFF/OFF/ON/ON
N	OFF/OFF/ON/OFF
O	OFF/OFF/OFF/ON
P	OFF/OFF/OFF/OFF

Example of Frequency Setting



Switch Set = ON ON OFF ON
Dial Set = C

NOTE: The frequency setting of the RF transmitter label affixed on the lower left front of the unit must match the dial setting on the rear of the remote control handset.

Maintenance

WARNING

Before carrying out any maintenance, ensure the appliance is disconnected from the main power supply. If in doubt, seek the assistance of a qualified technician.

It is advisable to use genuine CFM Corporation replacement parts available from your authorized dealer.

Light Bulb Replacement

1. Disconnect the appliance from the main power supply.
2. Remove the decorative trim assembly.
3. Remove the pebbles and ember bed.
4. Remove the removable panel by unscrewing the four (4) screws. (Fig. 6)
5. Remove the colored filter from the bulb and unscrew the bulb from its housing. (Fig. 7)
6. Install the new 20W light bulb.
7. Reassemble in reverse order.

Care and Cleaning

Always disconnect the appliance from the main power supply and allow to cool before any cleaning operation begins.

Metal painted parts may be cleaned using a clean, damp cloth. Never use any abrasive cleaners and chemical agents as these may damage the paint finish.

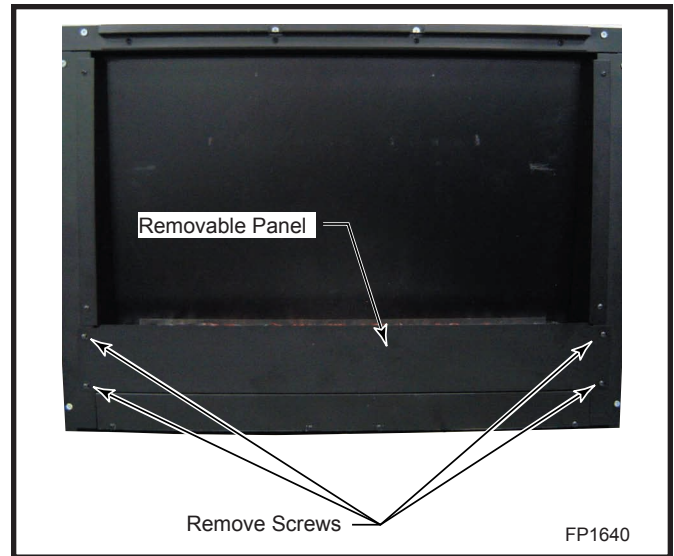


Fig. 6 Removable panel.

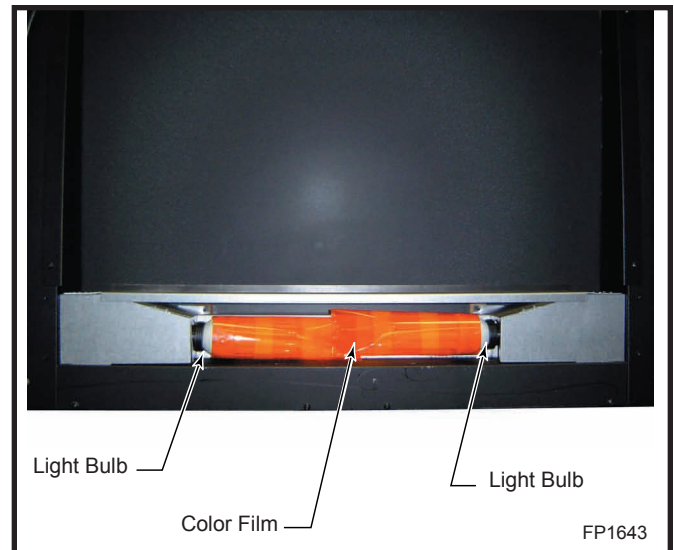
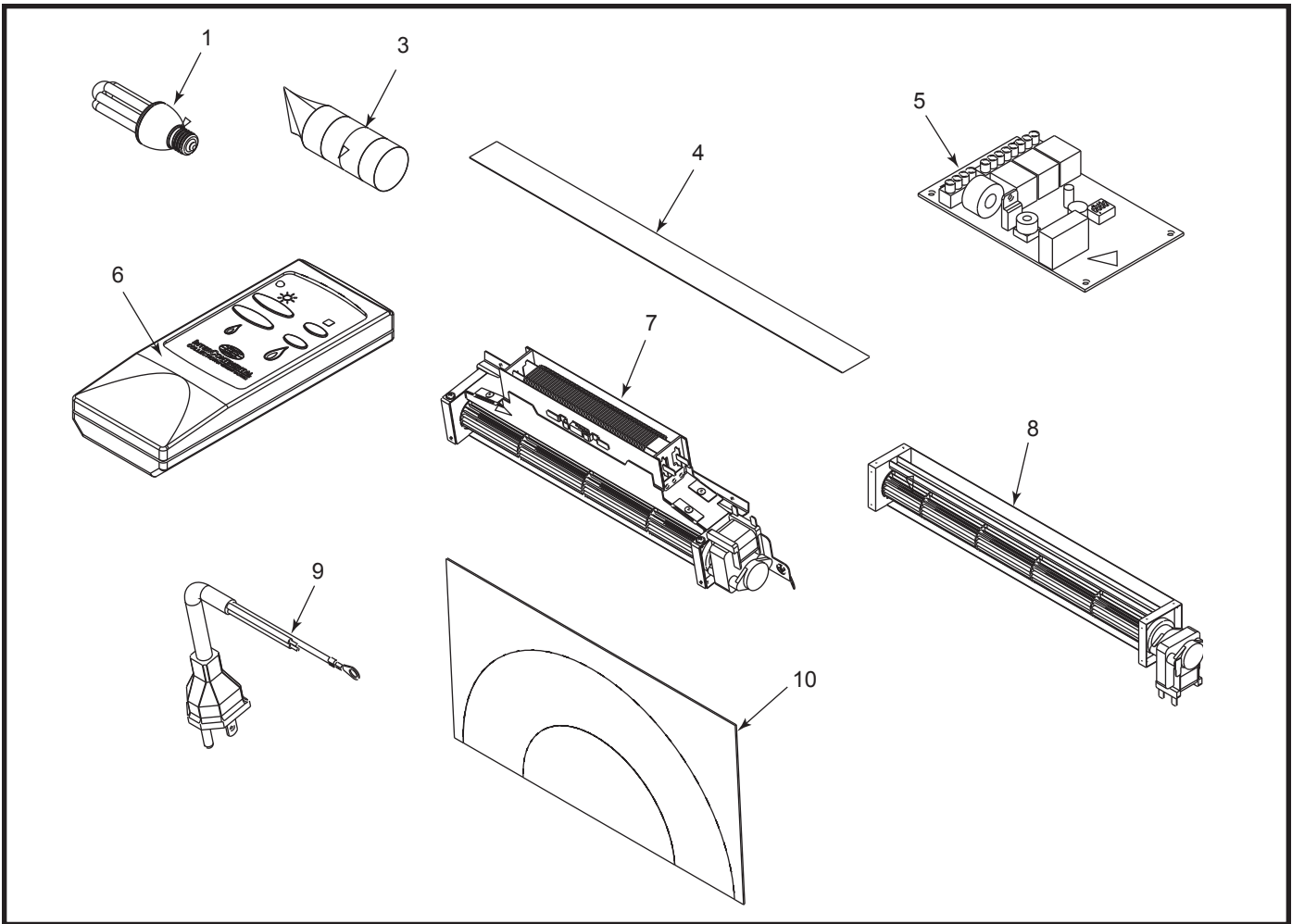


Fig. 7 Remove color film and remove light bulbs.



CFM Corporation reserves the right to make changes in design, materials, specifications, prices and discontinue colors and products at any time, without notice.

Inspire Replacement Parts

Ref.	Description	Part Number
1.	20W Energy Saving Bulb*	B-98830
2.	Pebble Pack (not shown)	B-81770
3.	Colored Filter	B-99670
4.	Ember Lava Rock	B-93420
5.	Circuit Board	B-99610
6.	Transmitter	B-100990
7.	Fan Heater	1097-99660
8.	Flame Blower	B-99580
9.	Power Cord	B-99590
10.	Landscape Electric Screen	B-91130

*Alternate: 20W Energy Saving Bulb - Sylvania CF20EL/830/MED/1

1 YEAR WARRANTY

For Vermont Castings Electric Fireplace

BASIC WARRANTY:

CFM Corporation (hereinafter referred to collectively as the "Company") warrants that your new electric fireplace is free from manufacturing and material defects for a period of one year from date of installation, subject to the following conditions and limitations.

1. This electric fireplace must be installed and operated at all times in accordance with the Installation and Operating instructions furnished with the product. Any alteration, willful abuse, accident, or misuse of the product shall nullify this warranty.
2. This warranty is non-transferrable, and is made to the original owner, provided that the purchase was made through an authorized supplier of the Company.
3. This warranty is limited to the repair or replacement of part(s) found to be defective in material or workmanship, provided that such part(s) have been subjected to normal conditions of use and service, after said defect is confirmed by the Company's inspection.
4. **This warranty does not cover the lightbulb(s) included with the fireplace.**
5. The Company may, at its discretion, fully discharge all obligations with respect to this warranty by refunding the wholesale price of the defective part(s).
6. Any installation, labor, construction, transportation, or other related costs/expenses arising from defective part(s), repair, replacement, or otherwise of same, will not be covered by this warranty, nor shall the Company assume responsibility for same. Further, the Company will not be responsible for any incidental, indirect, or consequential damages, except as provided by law.

7. All other warranties - expressed or implied - with respect to the product, its components and accessories, or any obligations/liabilities on the part of the Company are hereby expressly excluded.
8. The Company neither assumes, nor authorizes any third party to assume, on its behalf, any other liabilities with respect to the sale of this Vermont Castings product.
9. The warranties as outlined within this document do not apply to non-CFM Corporation accessories used in conjunction with the installation of this product.

This warranty is void if:

- a) The fireplace has been operated in atmospheres contaminated by chlorine, fluorine or other damaging chemicals.
- b) The fireplace is subjected to prolonged periods of dampness or condensation.
- c) Any alteration, willful abuse, accident, or misuse of the product.

IF WARRANTY SERVICE IS NEEDED . . .

- 1) Contact your supplier. Make sure you have your warranty, your sales receipt, and the model/serial number of your CFM Corporation product.
- 2) **DO NOT ATTEMPT TO DO ANY SERVICE WORK YOUR-SELF.**

CFM Corporation

2695 Meadowvale Blvd. • Mississauga, Ontario, Canada L5N 8A3
800-668-5323 • www.cfmcorp.com