

Genie®



Parts Manual

Refer to inside cover for additional serial number information

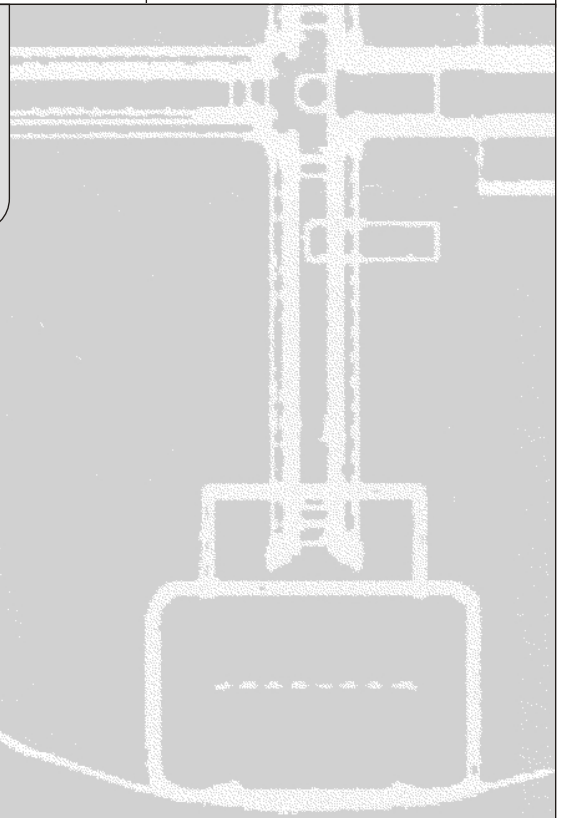
Part No. 107480

Rev B1

October 2006

AWP™ Super Series™

(from serial number AWP05-50000)



Technical Publications

Genie Industries has endeavored to deliver the highest degree of accuracy possible. However, continuous improvement of our products is a Genie policy. Therefore, product specifications are subject to change without notice.

Readers are encouraged to notify Genie of errors and send in suggestions for improvement. All communications will be carefully considered for future printings of this and all other manuals.

Serial Number Information

Genie Industries offers the following Parts Manuals for these models:

Title	Part No.
Genie AWPSS Parts Manual, First Edition (before serial number AWP05-50000)	38138

Contact Us:

www.genieindustries.com
e-mail: techsup@genieind.com

Copyright © 1996 by Genie Industries

107480 Rev B March 2006
Second Edition, Second Printing

"Genie" and "AWP" are registered trademarks of Genie Industries in the USA and many other countries.

 Printed on recycled paper

Printed in U.S.A.

How To Read Your Serial Number

MANUFACTURED BY/FABRIQUE PAR:
Genie Industries
18340 NE 76th Street
Redmond, WA 98052 USA



Model: AWP-30S
Serial number: AWP05-12345
Model year: 2005 **Manufacture date:** 9/11/05
Elec/Hydr Schematic: ES0071
Power supply voltage/Pneumatic Pressure:
220 VAC, 50-60 Hz, 8 Amps
Nominal Power: 1.5 Hp / 1.1 kW
Machine unladen weight: 783 lbs / 355 kg
Max Load: 350 lbs / 159 kg
Occupants and Equipment must not exceed:
350 lbs / 159 kg
Maximum allowable inclination of the chassis:
0°
Maximum Wind Speed:
Indoor: REFER TO OUTRIGGER DECAL
Outdoor: REFER TO OUTRIGGER DECAL
Gradeability: N/A
Maximum allowable side force: 45 lbs / 200 N
Maximum platform height: 29.5 ft / 9.0 m
Maximum Travel Height: N/A
Maximum number of platform occupants: 1
Country of manufacture: USA
This machine complies with:
EN 280
98/37/EC



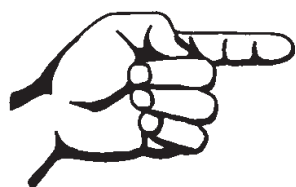
P/N 77172



AWP05 - 1234

Year of
manufacture

Sequence
number



This page intentionally left blank.

Table of Contents

This manual is updated frequently. Each parts figure listed below has a figure number and a revision letter. If a figure is updated with new information, the revision letter or 'Rev' is updated (example: from Rev A to Rev B).

Figure	Rev	Description
101.1	B	Decals

If you have a printed manual, you can keep it up to date by downloading new figures from the Genie website at www.genieindustries.com.

How to Read Your Serial Number	<i>iii</i>
Parts Stocking List	<i>vii</i>
How To Order Parts	<i>viii</i>
Service Parts Fax Order Form	<i>ix</i>

Electronic Version

Click on the figure description below to view the figure.

100 • Decals

101.1	A	Decals with Words
102.1	A	Decals with Symbols

200 • Base Components

201.1	B	Standard Base Assembly
202.1	B	Narrow Base Assembly
203.1	B	Rough Terrain Base Assembly
204.1	A	Outrigger Assembly
205.1	A	Outrigger Assembly Cross Reference

300 • Mast Components

301.1	A	Number 1 and 2 Column Assemblies, All Models
302.1	A	Number 3 and 4 Column Assemblies, AWP-20S
303.1	A	Number 3, 4 and 5 Column Assemblies, AWP-25S and AWP-36S
304.1	A	Number 3, 4, 5 and 6 Column Assemblies, AWP-30S and AWP-40S
305.1	A	Carriage Assembly
306.1	A	Lifting Chain Assembly, AWP-20S
307.1	A	Lifting Chain Assembly, AWP-25S and AWP-36S
308.1	A	Lifting Chain Assembly, AWP-30S and AWP-40S
309.1	A	Sequencing Cables Assembly
310.1	A	Mast Covers
311.1	A	Loading Pivot Assembly
312.1	B	Number 1 Column Attached Parts, Standard Base with Tilt-back Frame
313.1	A	Number 1 Column Attached Parts, Standard Base Model
314.1	A	Number 1 Column Attached Parts, Narrow or Rough Terrain Base Model
315.1	A	Tilt-back Frame Assembly
316.1	A	Outrigger Storage Bracket Assembly Cross Reference

400 • Power Groups

401.1	A	Battery Pack Assembly, DC Models
402.1	A	Battery Charger, Worldwide, Signet Model
403.1	A	Power Unit Installation, Standard Base, AC and DC Models
404.1	A	Power Unit Installation, Narrow or Rough Terrain Base, AC and DC Models
405.1	A	Power Unit Installation, Air Powered Models

Table of Contents continues on next page.



Table of Contents

400 • Power Groups *(continue)*

- | | | |
|-------|---|--|
| 406.1 | A | Power Pack Installation, Narrow or Rough Terrain Base, Air Powered Models Option |
| 407.1 | A | Ground Controls, DC Models |
| 408.1 | A | Ground Controls, AC Models |
| 409.1 | A | Ground Controls, Air Powered Models |
| 410.1 | A | Platform Controls, All Models |
| 411.1 | A | Control Cable Assembly, AWP-20S, AWP-30S and AWP-40S, AC and DC Models |
| 412.1 | A | Control Cable Assembly, AWP-25S and AWP-36S, AC and DC Models |
| 413.1 | A | Control Hose Assemblies, Air Powered Models |

500 • Platform Components

- | | | |
|-------|---|--|
| 501.1 | A | Platform Assembly, Aluminum, Sliding Mid-rail Entry |
| 502.1 | A | Platform Assembly, Aluminum, Gated Entry |
| 503.1 | A | Platform Assembly, Aluminum, Extra Large, Front and Side Entry |
| 504.1 | B | Platform Assembly, Fiberglass |
| 505.1 | A | Platform Assembly Cross Reference Chart |

600 • Hydraulic Components

- | | | |
|-------|---|--|
| 601.1 | A | Lift Cylinder |
| 602.1 | B | Hydraulic Power Unit, DC Models |
| 603.1 | B | Hydraulic Power Unit, AC Models |
| 604.1 | B | Hydraulic Power Unit, Air Powered Models |
| 605.1 | A | Hydraulic Hoses and Fittings |
| 606.1 | A | Pneumatic Hoses and Fittings, Air Powered Models |
| 606.1 | A | Pneumatic Hoses and Fittings, Air Powered Models |
| 607.1 | B | Hoses and Fittings, Cross Reference |

700 • Accessories

- | | | |
|-------|---|--|
| 701.1 | A | Operational Warning Light and Descent Alarm |
| 702.1 | A | Tube Caddy, Tray and Platform Locating Light |

Parts Stocking List

Required Parts

The following parts are required to perform maintenance procedures as outlined in the *Genie AWP/IWP Service Manual*.

Description	Part No.
Hydraulic Return Filter Element	52465
O-ring Kit (for O-ring Face Seal Fitting)	49612
Plug and Cap Kit (for O-ring Face Seal Fitting)	49613
Dielectric Grease	66399

Recommended Parts

Description	Part No.
Genie Gray Paint, 12 Ounce (355 ml) Aerosol	1268
Genie Blue Paint, 12 Ounce (355 ml) Aerosol	1484
Genie Blue Paint, 1 Gallon (3.78 liters)	32150
Genie Gray Paint, 1 Gallon (3.78 liters)	32151

Manuals

Genie Industries offers the following support documents for these models:

Title	Part No.
Genie AWPSS Parts Manual, 1st Edition	38138
Genie AWPSS and IWPSS Service Manual, 1st Edition	38139
Genie AWPSS Operator's Manual, 1st Edition	37168
Genie AWPSS Operator's Manual, 2nd Edition	82910
Genie AWPSS Operator's Manual, 3rd Edition	114002
EMI Safety Manual	27581
Manual of Responsibilities ANSI A 92.6	44163



How To Order Parts

Please be prepared with the following information when ordering replacement parts for your Genie product:

- Machine model number
- Machine serial number
- Genie part number
- Part description and quantity
- Purchase order number
- "Ship to" address
- Desired method of shipment
- Name and telephone number of the authorized Genie Distributor in your area

Use the Service Parts Fax Order Form on the next page and fax your order to our Parts Department.

If you don't know the name of your authorized distributor, or if your area is not currently serviced by an authorized distributor, please call Genie Industries.

Machine Information

Model

Serial Number

Date of Purchase

Authorized Genie Distributor

Phone Number

Genie North America

Telephone (425) 556-6551

Toll Free (877) 367-5606 in U.S.A. and Canada

Fax (425) 556-8659

Genie UK

Parts Telephone (44) (0) 1476 584352

Parts Fax (44) (0) 1476 584340

Genie Australia

Parts Telephone (617) 03375 1660

Parts Fax (617) 03375 1002

Genie France

Parts Telephone (33) (0) 237 26 09 99

Parts Fax (33) (0) 237 31 50 10

Genie Germany

Parts Telephone (49) (0) 4202 885223

Parts Fax (49) (0) 4202 885225

Genie Scandinavia

Parts Telephone (46) (31) 3409612

Parts Fax (46) (31) 3409613

Genie Iberica

Parts Telephone (34) (93) 5795042

Genie Brazil

Parts Telephone (55) (114) 1665755

Parts Fax (55) (114) 1665754

Genie Japan

Parts Telephone (81) (33) 4536082

Parts Fax (81) (33) 4536083

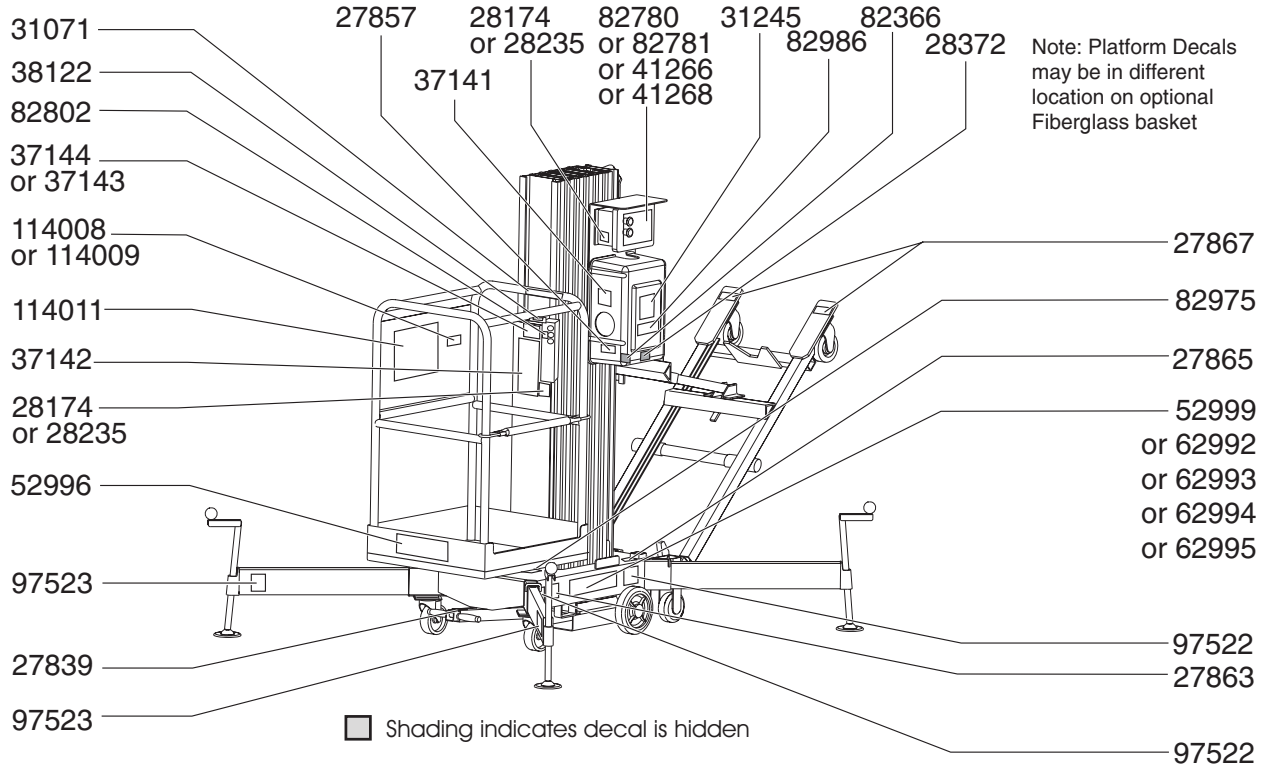
Genie China

Parts Telephone (86) (215) 3852570

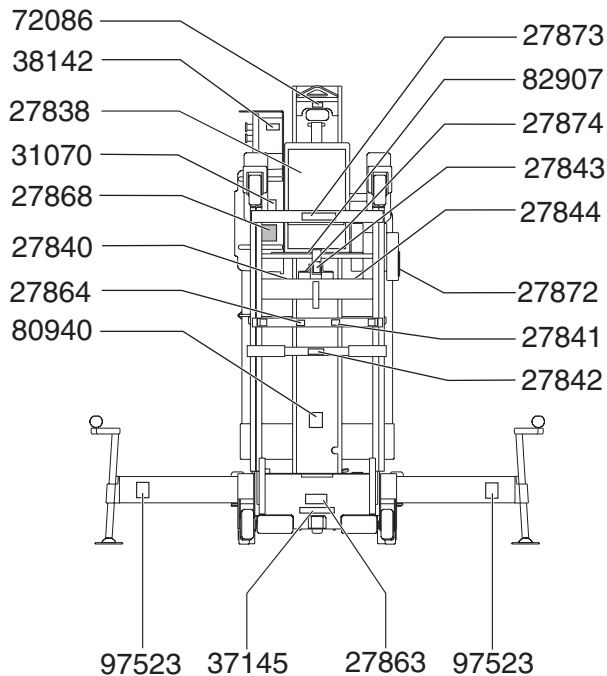
Parts Fax (86) (215) 3852569

Parts Figures

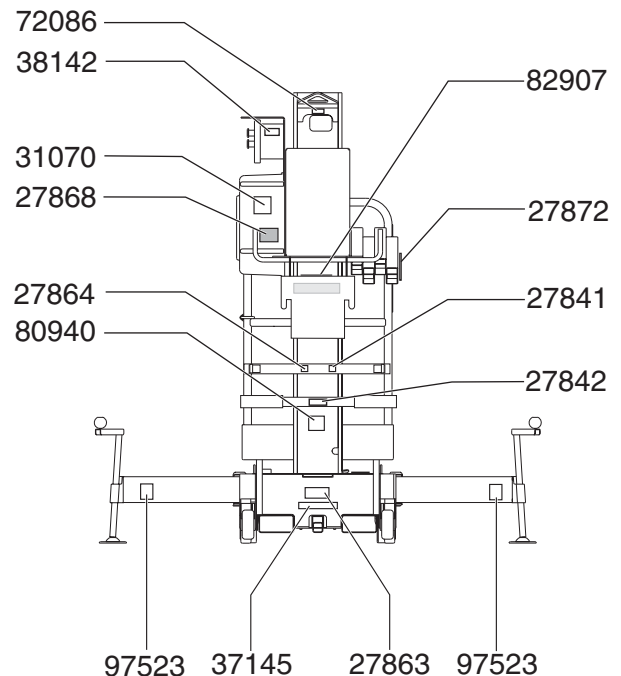
Figure 101.1
Rev A
Description Decals with Words



Models with Tilt-back Frame



Models without Tilt-back Frame

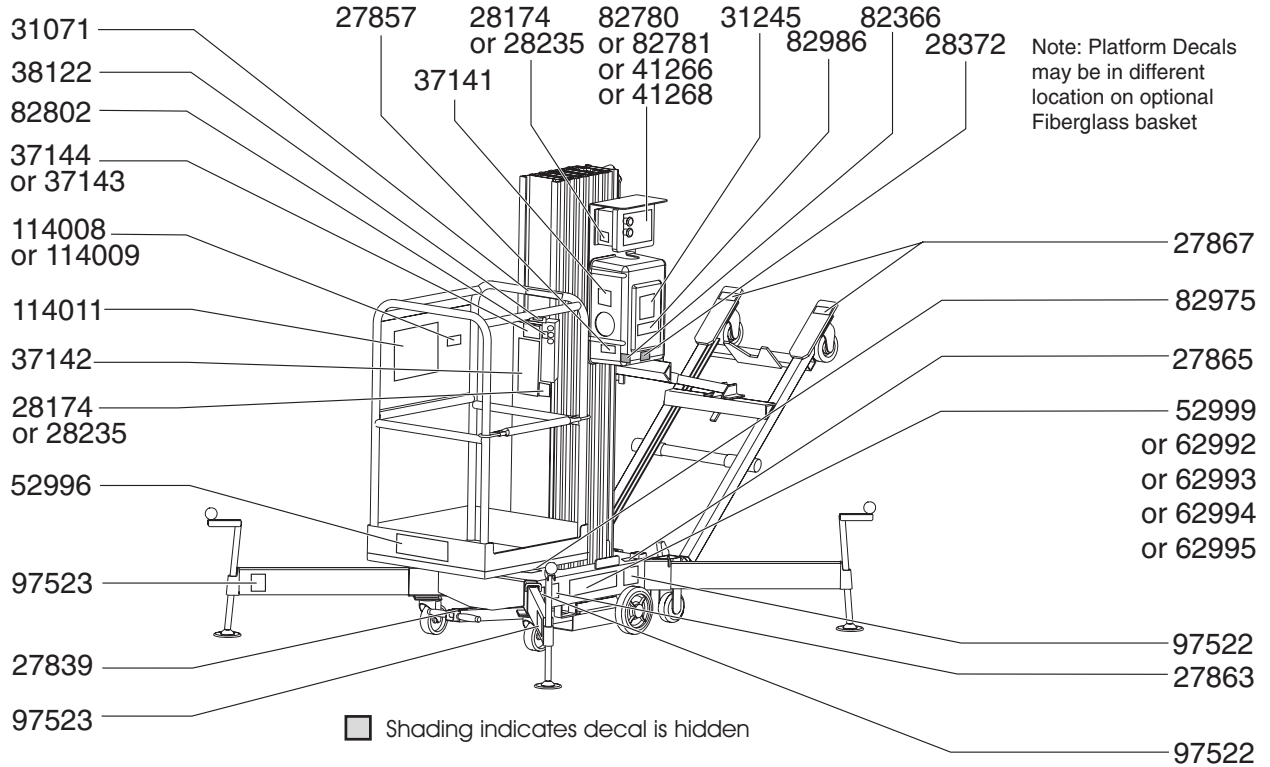


Item	Part No.	Description	Qty.	Item	Part No.	Description	Qty.
—	107392	Decal Kit - Safety/Instructional (models without tilt-back frame option) (includes items 2, 4, 5, 8-11, 13, 14, 17-21, 23, 24, 27, 28, 29, 32, 38-44)		18	28235	Label - Power to Platform, 115V AC	2
—	107393	Decal Kit - Safety/Instructional (models with tilt-back frame option) (includes items 1-24, 27, 28, 29, 32, 38, 39-41 and 44-50)		19	28372	Caution - Quick Disconnect	1
—	107394	Decal Kit - Platform (includes items 21, 24, 28, 32, 40 and 48)		20	31070	Danger - Tip-over Hazard, Moving	1
1	27838	Warning - Tilt-back Hazards/Instructions (models with tilt-back option)	1	21	31071	Warning - Failure to Read	1
2	27839	Label - Sliding T-handle	1	22	31245	Warning - Collision Hazard (models with tilt-back option)	1
3	27840	Label - Retaining Pin (models with tilt-back option)	1	23	37141	Notice - Manual Lowering Instructions	1
4	27841	Label - Stop Bracket	1	24	37142	Notice - Operating Instructions	1
5	27842	Label - Loading Pivot	1	25	37143	Notice - Max Capacity 300 lbs / 136 kg	1
6	27843	Label - Tilt-back Strut (models with tilt-back option)	1	26	37144	Notice - Max Capacity 350 lbs / 159 kg	1
7	27844	Label - Strut Socket (models with tilt-back option)	1	27	37145	Label - Manual Lowering Valve	1
8	27857	Caution - Pipe Plug	1	28	38122	Label - Manual Storage Container	1
9	27863	Warning - Collision Hazard	3	29	38142	Label - Circuit Breaker, AC models	1
10	27864	Notice - Lower Stop Bracket	1	30	41266	Label - Interlock Display, Standard Base, Air Models	1
11	27865	Label - Bubble Level	1	31	41268	Label - Interlock Display, Narrow Base, Air Models	1
12	27867	Label - Swivel Lock (models with tilt-back option)	1	32	52996	Cosmetic - Genie Logo	1
13	27868	Danger - Relief Valve	1	33	52999	Cosmetic - AWP-20S	2
14	27872	Danger - Tip-over Hazard, Outriggers	1	34	62992	Cosmetic - AWP-25S	2
15	27873	Notice - Maintain Firm Grasp (models with tilt-back option)	1	35	62993	Cosmetic - AWP-30S	2
16	27874	Label - Insert Retaining Pin (models with tilt-back option)	1	36	62994	Cosmetic - AWP-36S	2
17	28174	Label - Power to Platform, 230V AC	2	37	62995	Cosmetic - AWP-40S	2
				38	72086	Label - Lifting Eye	1
				39	80940	Label - Serial Number	1
				40	82366	Label - Chevron Rykon	1
				41	82780	Label - Interlock Display, Standard Base, AC / DC Models	1

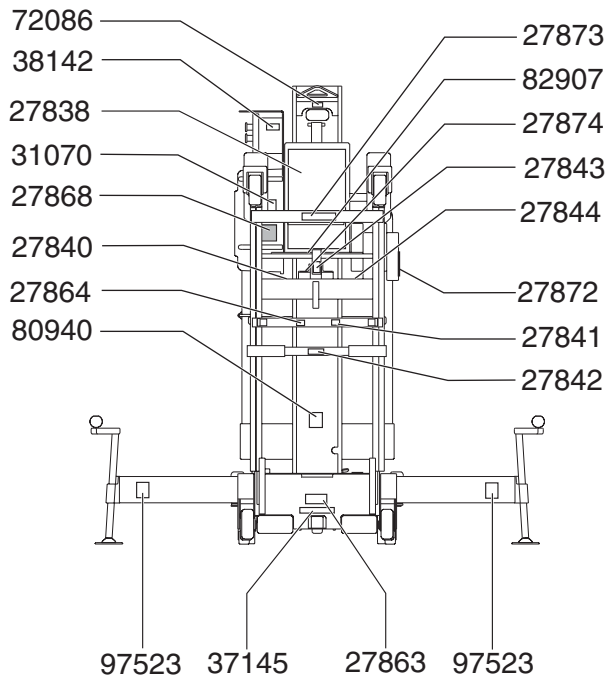
This list continues on the next page.



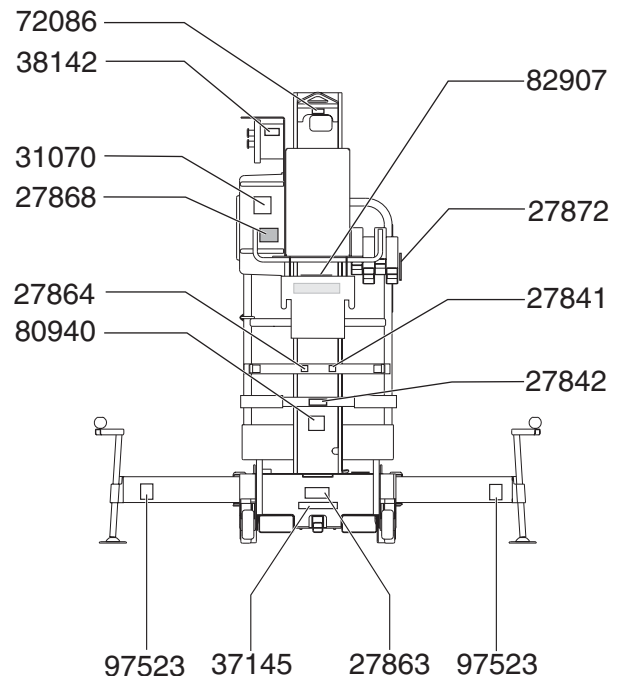
Figure 101.1
Rev A
Description Decals with Words



Models with Tilt-back Frame



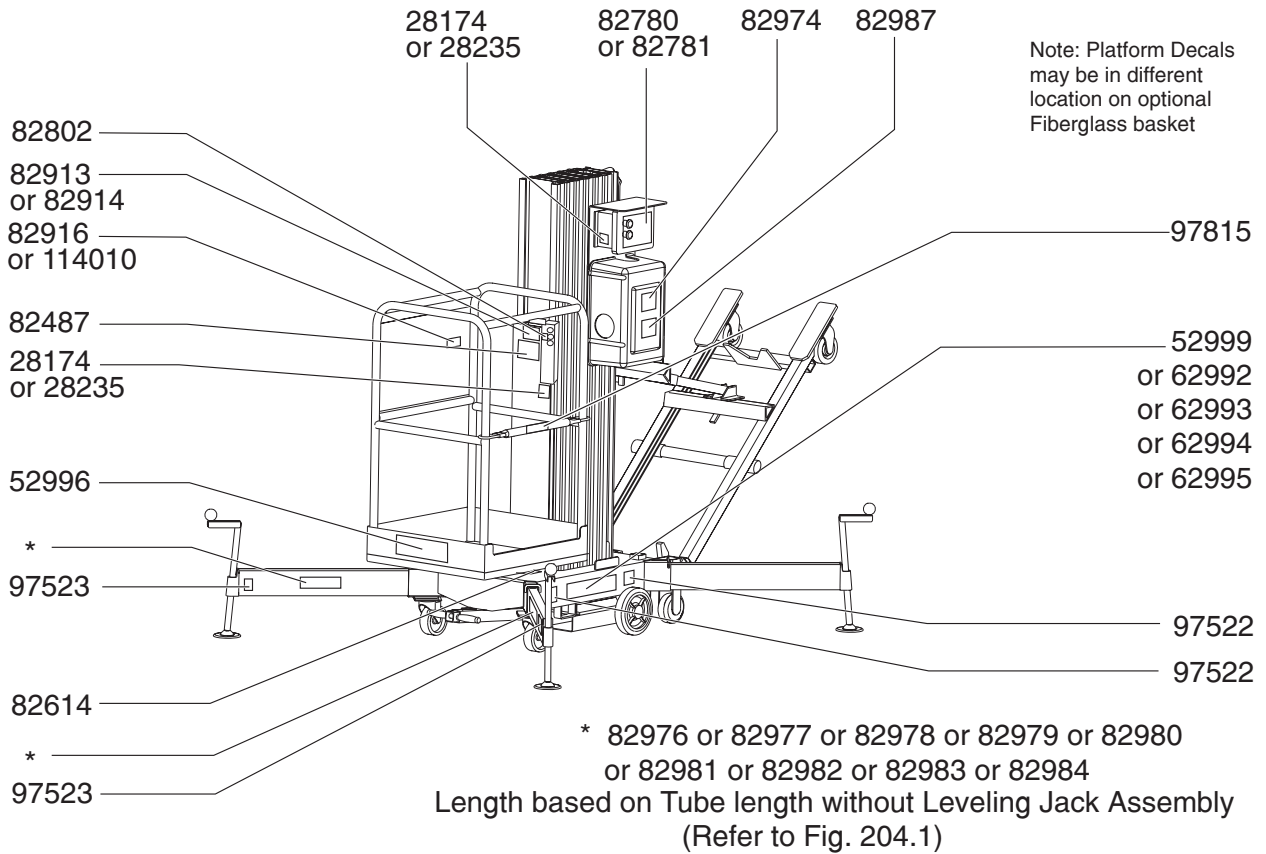
Models without Tilt-back Frame



Item	Part No.	Description	Qty.
42	82781	Label - Interlock Display, Narrow Base, AC/DC Models	1
43	82802	Label - Function Enable	1
44	82907	Danger - Battery Charger Safety	1
45	82975	Danger - Collision Hazard	1
46	82986	Danger - Electrocution Hazard	1
47	97522	Label - Wheel Load	4
48	97523	Label - Outrigger Load	4
49	114008	Notice - Max Side Force, 50 lbs/222N, ANSI/CSA	1
50	114009	Notice - Max Side Force, 45 lbs/200N, AUS	1
51	114011	Danger - General Safety	1

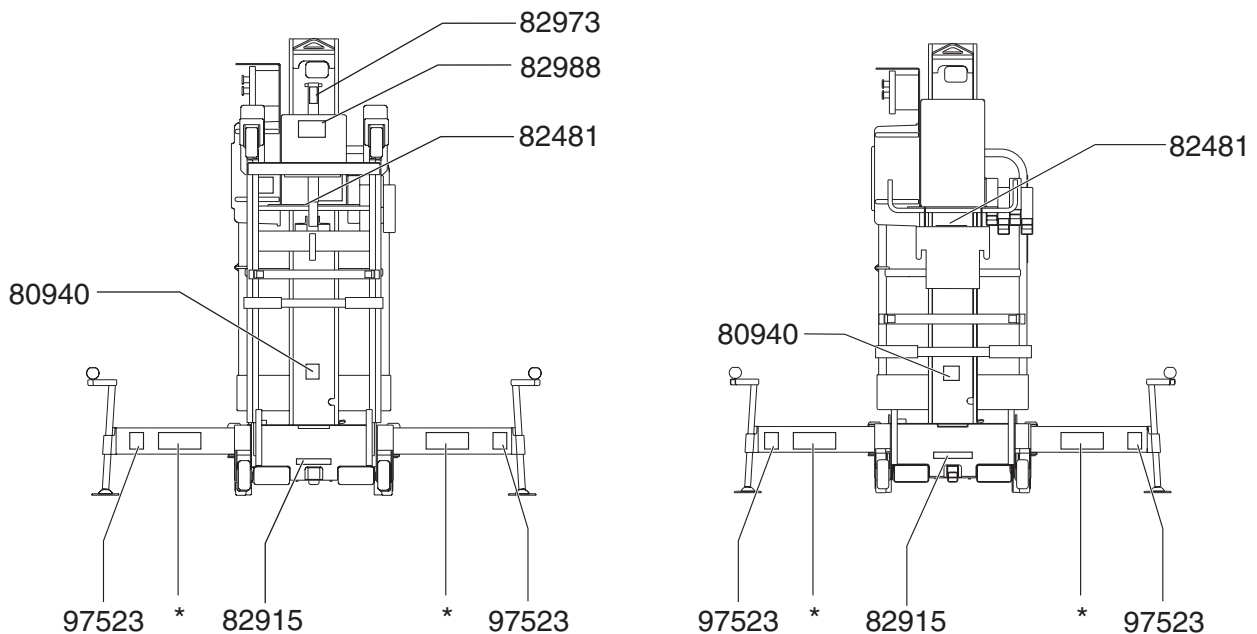


Figure 102.1
Rev A
Description Decals with Symbols



Models with Tilt-back Frame

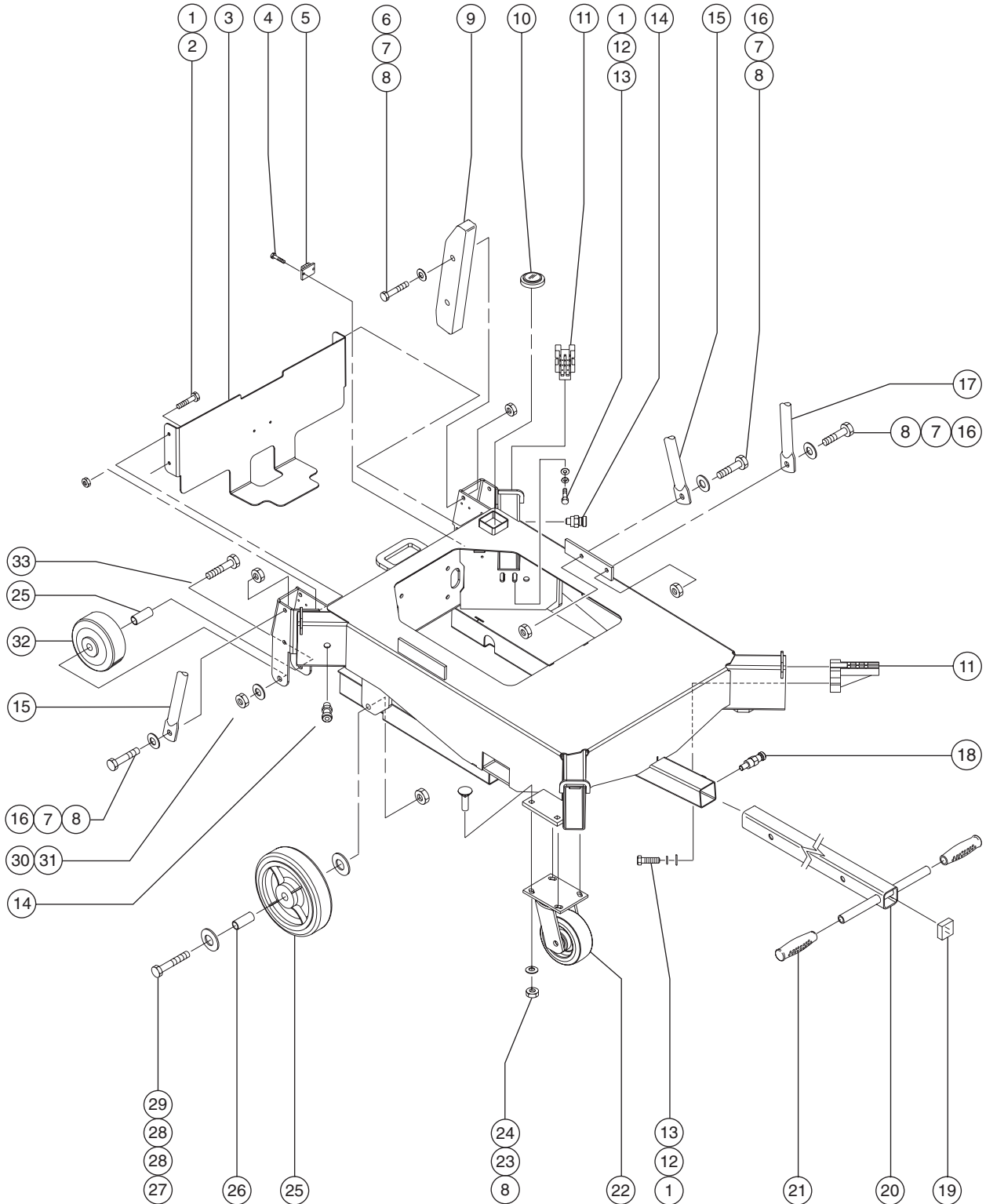
Models without Tilt-back Frame



Item	Part No.	Description	Qty.	Item	Part No.	Description	Qty.
—	107067	Decal Kit - Safety/Instructional (models without tilt-back frame option) (includes items 1, 2, 10-12, 15, 18-21, 31, 33 and 34)		21	82974	Warning - Collision Hazard	1
—	107068	Decal Kit - Safety/Instructional (models with tilt-back frame option) (includes items 1, 2, 10-12, 15, 18-21 and 30-32)		22	82976	Danger - Wind Speed, 20 inch, Outrigger	4
1	28174	Label - Power to Platform, 230V AC	2	23	82977	Danger - Wind Speed, 26 inch, Outrigger	4
2	28235	Label - Power to Platform, 115V AC	2	24	82978	Danger - Wind Speed, 30.5 inch, Outrigger	4
3	52996	Cosmetic - Genie Logo	2	25	82979	Danger - Wind Speed, 36 inch, Outrigger	4
4	52999	Cosmetic - AWP-20S	2	26	82980	Danger - Wind Speed, 40 inch, Outrigger	4
5	62992	Cosmetic - AWP-25S	2	27	82981	Danger - Wind Speed, 46 inch, Outrigger	4
6	62993	Cosmetic - AWP-30S	2	28	82982	Danger - Wind Speed, 60 inch, Outrigger	4
7	62994	Cosmetic - AWP-36S	2	29	82983	Danger - Wind Speed, 75 inch, Outrigger	4
8	62995	Cosmetic - AWP-40S	2	30	82984	Danger - Wind Speed, 85 inch, Outrigger	4
9	80940	Label - Serial Number	1	31	82987	Danger - Electrocution Hazard	1
10	82481	Danger - Battery Charger Safety	1	32	82988	Label - Read the Manual, Tilt-back Frame (models with tilt-back option)	1
11	82487	Label - Read the Manual	1	33	97522	Label - Wheel Load	4
12	82614	Caution - Collision Hazard	1	34	97523	Label - Outrigger Load	4
13	82780	Label - Interlock Display, Standard Base, AC/DC Models	1	35	97815	Label - Lower Mid-rail	1
14	82781	Label - Interlock Display, Narrow Base, AC/DC Models	1	36	114010	Danger - Maximum Side Force, 50 lbs/222N	1
15	82802	Label - Function Enable	1				
16	82913	Danger - Max Capacity, 350lbs/159 kg	1				
17	82914	Danger - Max Capacity, 300lbs/136 kg	1				
18	82915	Label - Manual Lowering Valve	1				
19	82916	Danger - Maximum Manual Force, 45 lbs/200N, CE	1				
20	82973	Warning - Insert Pin	1				



Figure 201.1
Rev B
Description Standard Base Assembly

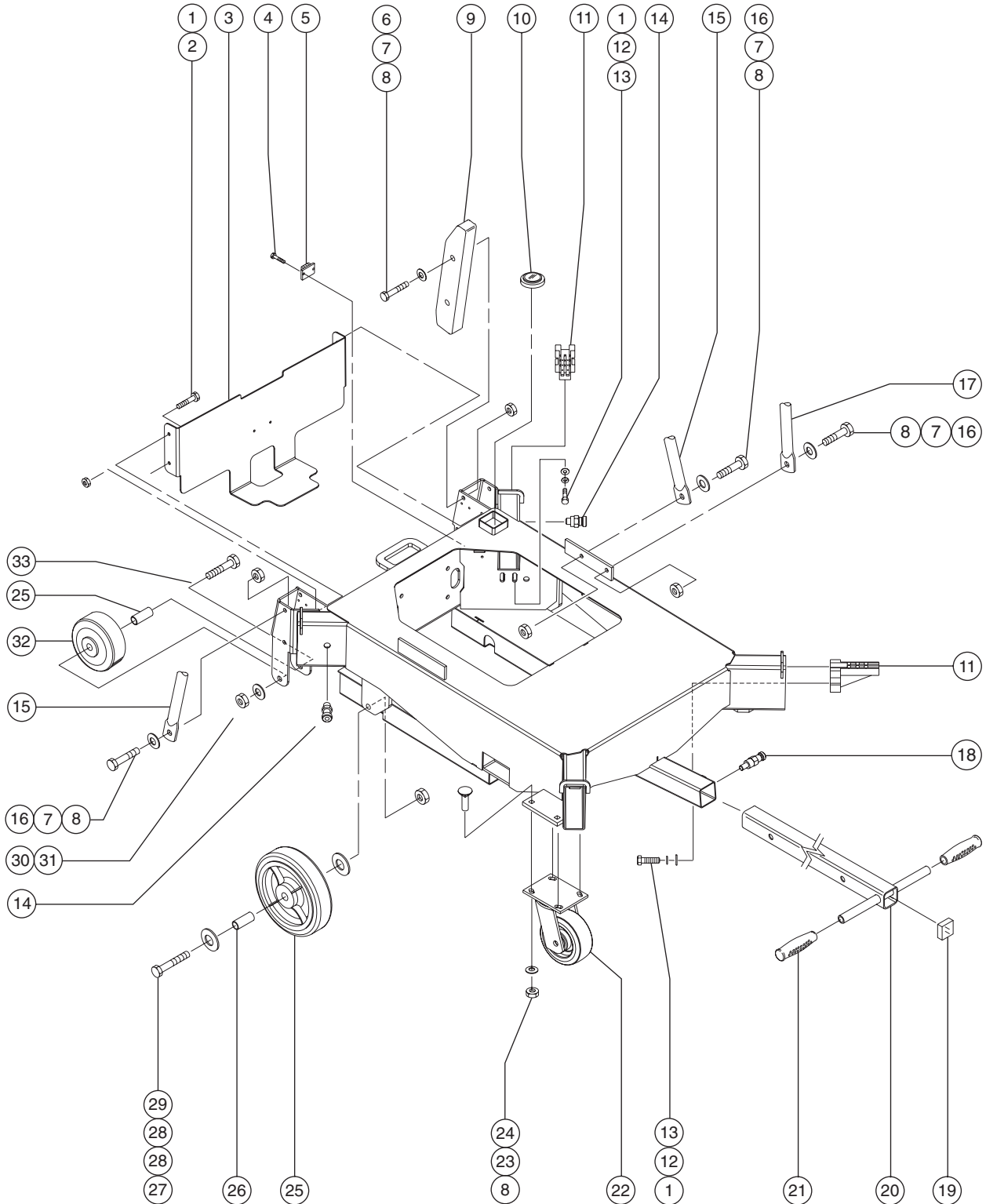


Item	Part No.	Description	Qty.	Item	Part No.	Description	Qty.
—	107069	Base Assembly (includes items 4, 5, 10, 14 and 18) (AWP-20S, AWP-25S, AWP-30S and AWP-36S) (USA and Canada models after serial number AWP04-29899)		5	80708	Terminal Strip Assembly, Wieland (AC and DC models) 1	
—	107071	Base Assembly (includes item 4, 10, 14, 18 and counterweight) (AWP-40S) (Canada models after serial number AWP04-29899)		—	74917	Jumper, 4 -Way	
—	107070	Base Assembly (includes items 4, 5, 10, 14 and 18) (AWP-20S, AWP-25S, AWP-30S and AWP-36S) (Asia, South America and Europe models after serial number AWP04-29899)		—	76479	Terminal Strip, 2 -Connector	
—	107072	Base Assembly (includes items 4, 5, 10, 14, 18 and counterweight) (AWP-40S) (Europe models after serial number AWP04-29899)		—	76480	Terminal Strip, End Plate	
1	6090	Screw - HHC, 1/4 -20 x 0.75 inch, GR 5		—	76481	End Plate, 4 -Connector	
2	6091	Nylock Nut, 1/4 -20		6	5224	Screw - HHC, 3/8 -16 x 2 inches, GR 5	
3	38178	Rear Cover Assembly with Word Decals (all models before serial number AWP04-29900) (USA, Australia, Canada models after serial number AWP04-29899) 1		7	6097	Flat Washer, 3/8 inch	
—	107073	Rear Cover Assembly with Symbol Decals (Asia, South America, Europe models after serial number AWP04-29899)		8	4828	Nylock Nut, 3/8 -16	
—	150153	Rear Cover Assembly with Word Decals (after serial number AWP06-51505)		9	27415	Glide Block 2	
—	150154	Rear Cover Assembly with Symbol Decals (after serial number AWP06-51504)		10	6714	Bubble Level 1	
4	10153	Screw - PHPM, 6-32 x 0.375 inch		11	Ref.	Outrigger Interlock Bracket Assembly, Standard Base (refer to 205.1)	
				12	6356	Lock Washer, 1/4 inch	
				13	6097	Flat Washer, 3/8 inch	
				14	6825	Outrigger Lock Pin 4	
				15	32425-S	Left Side Mast Brace, 40.25 inches (AWP-20S, AWP-25S and AWP-30S) 1	
				—	32424-S	Right Side Mast Brace, 40.25 inches (AWP-20S, AWP-25S and AWP-30S)	
				—	38344-S	Left Side Mast Brace, 28.12 inches (AWP-36S and AWP-40S) 1	
				—	38345-S	Right Side Mast Brace, 28.12 inches (AWP-36S and AWP-40S)	
				—	38343-S	Right Side Mast Brace, 28.5 inches (AWP-36S and AWP-40S) 1	
				—	38342-S	Left Side Mast Brace, 28.5 inches (AWP-36S and AWP-40S)	
				16	6019	Screw - HHC, 3/8 -16 x 1.25 inches, GR 5	

This list continues on the next page.



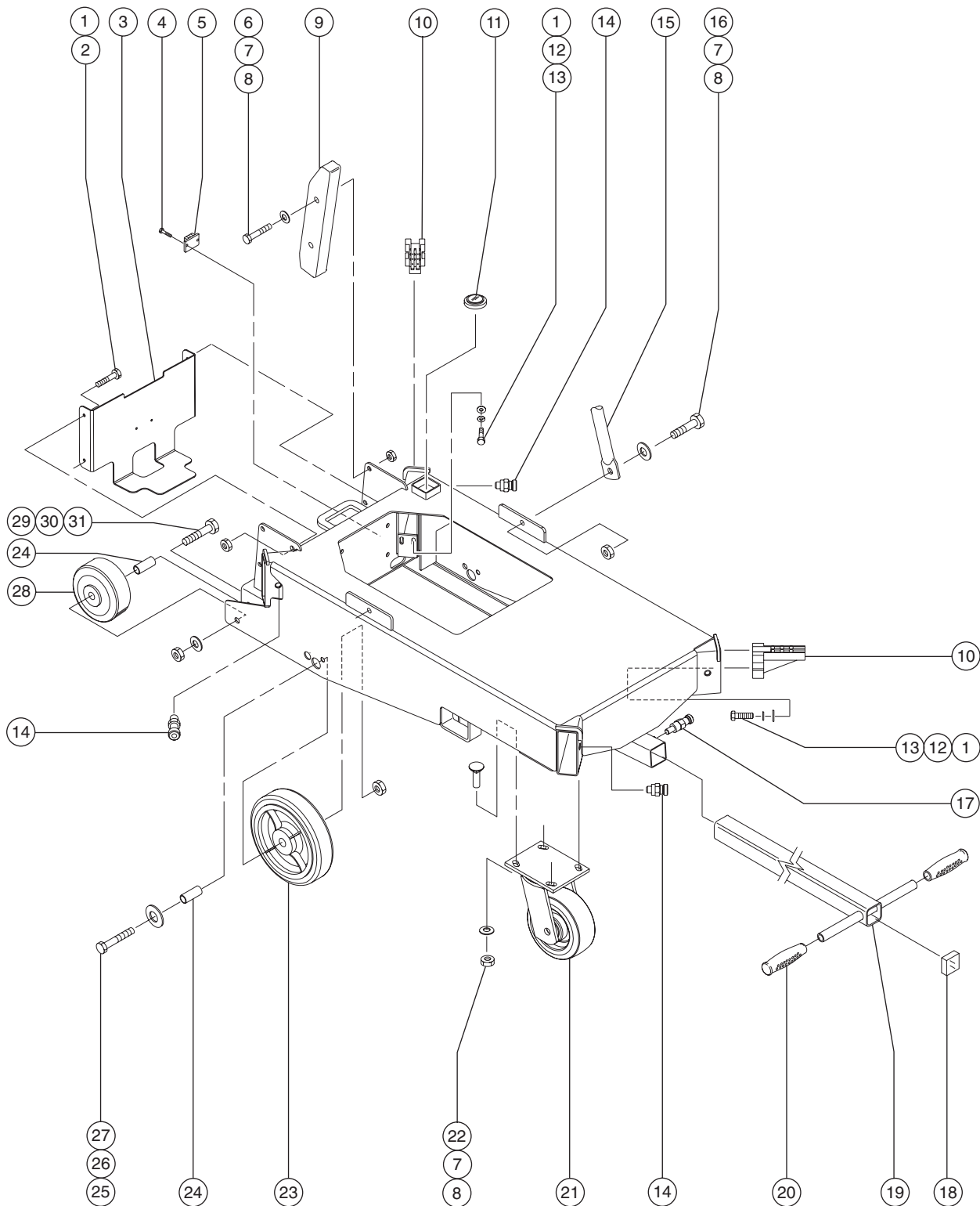
Figure 201.1
Rev B
Description Standard Base Assembly



Item	Part No.	Description	Qty.
17	38340-S	Left Side Mast Brace, 41.13 inches (AWP-36S and AWP-40S)	1
—	38341-S	Right Side Mast Brace, 41.13 inches (AWP-36S and AWP-40S)	
18	35830	T-handle Lock Pin	1
19	46567	Plastic Cap, 1.75 x 0.12 inch	1
20	37395-S	T-handle (AWP-20S, AWP-25S and AWP-36S)	1
—	38348-S	T-handle (AWP-30S and AWP-40S)	
21	6587	Rubber Grip	2
22	57732	Swivel Caster	2
23	5397	Flat Washer, ⁵ / ₁₆ inch	
24	105092	Carriage Bolt, ³ / ₈ -16 x 1.25 inches, GR5	
25	57787	Side Wheel, 8 x 2 inches	2
26	37202	Bushing, 6 x 2 Wheel	2
27	47279	Screw - HHC, ¹ / ₂ -13 x 3.75 inches, GR 5	
28	6095	Flat Washer, ¹ / ₂ inch	
29	6086	Low Profile Nylock Nut, ¹ / ₂ -13	
30	6198	Nylock Nut, ¹ / ₂ -13	
31	13066	Flat Washer, ¹ / ₂ inch	
32	57785	Rear Wheel, 5 x 2 inches	2
33	69226	Axle Screw with Grease Fitting, ¹ / ₂ -13 x 3.38 inches	2



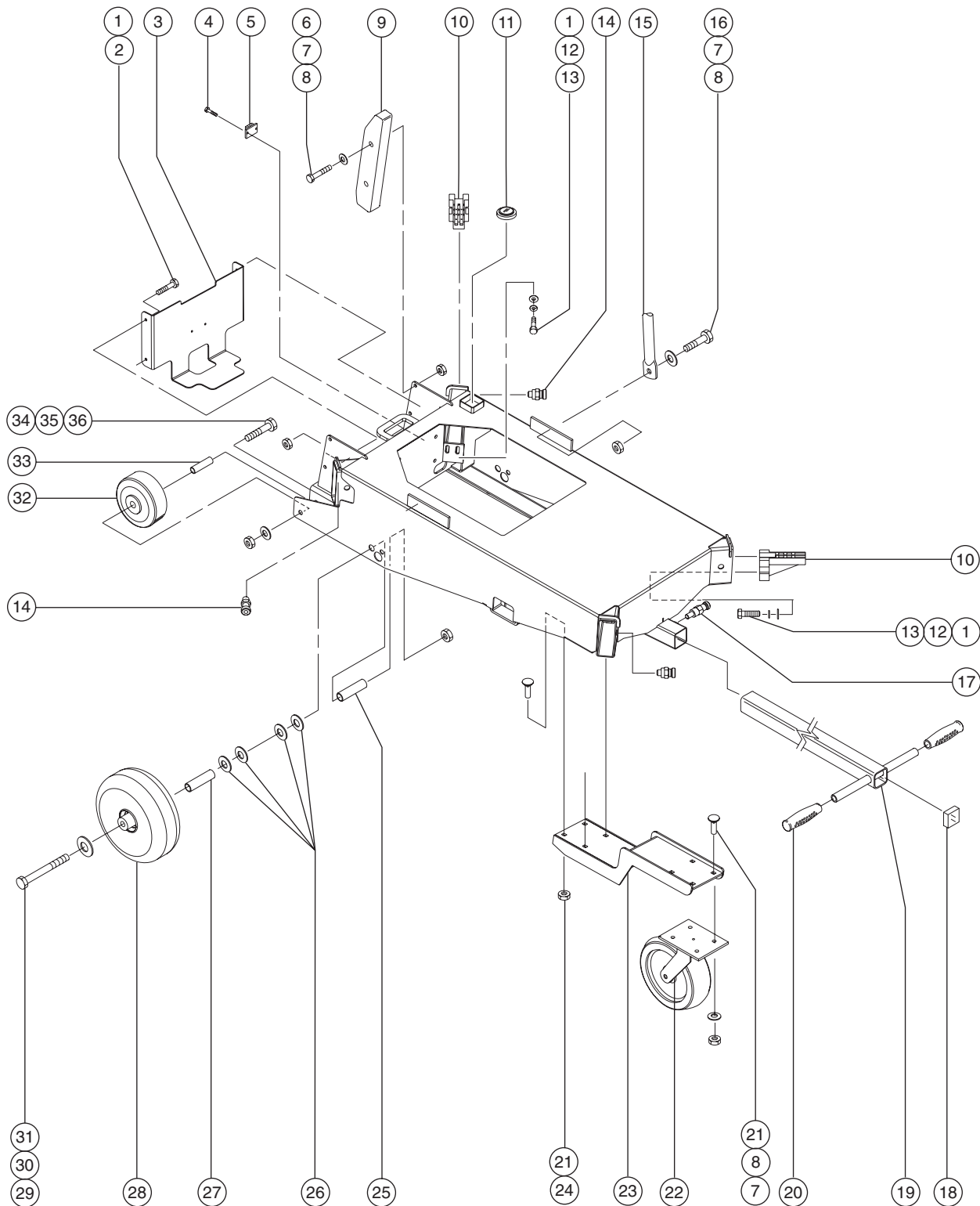
Figure 202.1
Rev B
Description Narrow Base Assembly



Item	Part No.	Description	Qty.	Item	Part No.	Description	Qty.
—	40272	Base Assembly with Word Decals (includes items 11, 14 and 18) (all models before serial number AWP04-29900) (USA, Australia and Canada models after serial number AWP04-29899)		10	Ref.	Outrigger Interlock Bracket Assembly (refer to 205.1)	
—	107074	Base Assembly with Symbol Decals (includes items 11, 14 and 18) (Asia, South America, Europe models after serial number AWP04-29899)		11	6714	Bubble Level 1	1
—	80362	Conversion Kit, Narrow to Rough Terrain		12	6356	Lock Washer, 1/4 inch	
1	6090	Screw - HHC, 1/4 -20 x 0.75 inch, GR 5		13	6638	Flat Washer, 1/4 inch	
2	6091	Nylock Nut, 1/4 -20		14	6825	Outrigger Lock Pin 4	4
3	40273	Rear Cover Assembly with Word Decals (all models before serial number AWP04-29900) (USA, Australia, Canada models after serial number AWP04-28999) 1	1	15	32425-S	Left Side Mast Brace, 40.25 inches (AWP-20S, AWP-25S and AWP-30S) 1	1
—	107075	Rear Cover Assembly with Symbol Decals (Asia, South America, Europe models after serial number AWP04-28999)		—	32424-S	Right Side Mast Brace, 40.25 inches (AWP-20S, AWP-25S and AWP-30S) 1	1
—	150155	Rear Cover Assembly with Word Decals (after serial number AWP06-51505)		16	6019	Screw - HHC, 3/8 -16 x 1.25 inches, GR 5	
—	150156	Rear Cover Assembly with Symbol Decals (after serial number AWP06-51504)		17	35830	T-handle Lock Pin Kit 1	1
4	10153	Screw - PHM, 6-32 x 0.38 inch		18	46567	Plastic Cap, 1.75 x 0.12 inch 1	1
5	80708	Terminal Strip Assembly, Wieland (AC and DC models) 1	1	19	37395-S	T-handle, AWP-20S, AWP-25S and AWP-30S 1	1
—	74917	Jumper, 4 -Way		20	6587	Rubber Grip 2	2
—	76479	Terminal Strip, 2 -Connector		21	57732	Swivel Caster 2	2
—	76480	Terminal Strip, End Plate		22	105092	Carriage Bolt, 3/8 -16 x 1.25 inches, GR5	
—	76481	End Plate, 4 -Connector		23	57787	Side Wheel, 8 x 2 inches 2	2
6	5224	Screw - HHC, 3/8 -16 x 2 inches, GR 5		24	37202	Bushing, 6 x 2 Wheel 2	2
7	6097	Flat Washer, 3/8 inch		25	47279	Screw - HHC, 1/2 -13 x 3.75 inches, GR 5	
8	4828	Nylock Nut, 3/8 -16		26	6095	Flat Washer, 1/2 inch	
9	27415	Glide Block 2	2	27	6086	Low Profile Nylock Nut, 1/2 -13	
				28	57785	Rear Wheel, 5 x 2 inches 2	2
				29	69226	Axle Screw with Grease Fitting, 1/2 -13 x 3.38 inches 2	2
				30	13066	Flat Washer, 1/2 inch	
				31	6198	Nylock Nut, 1/2 -13	



Figure 203.1
Rev B
Description Rough Terrain Base Assembly

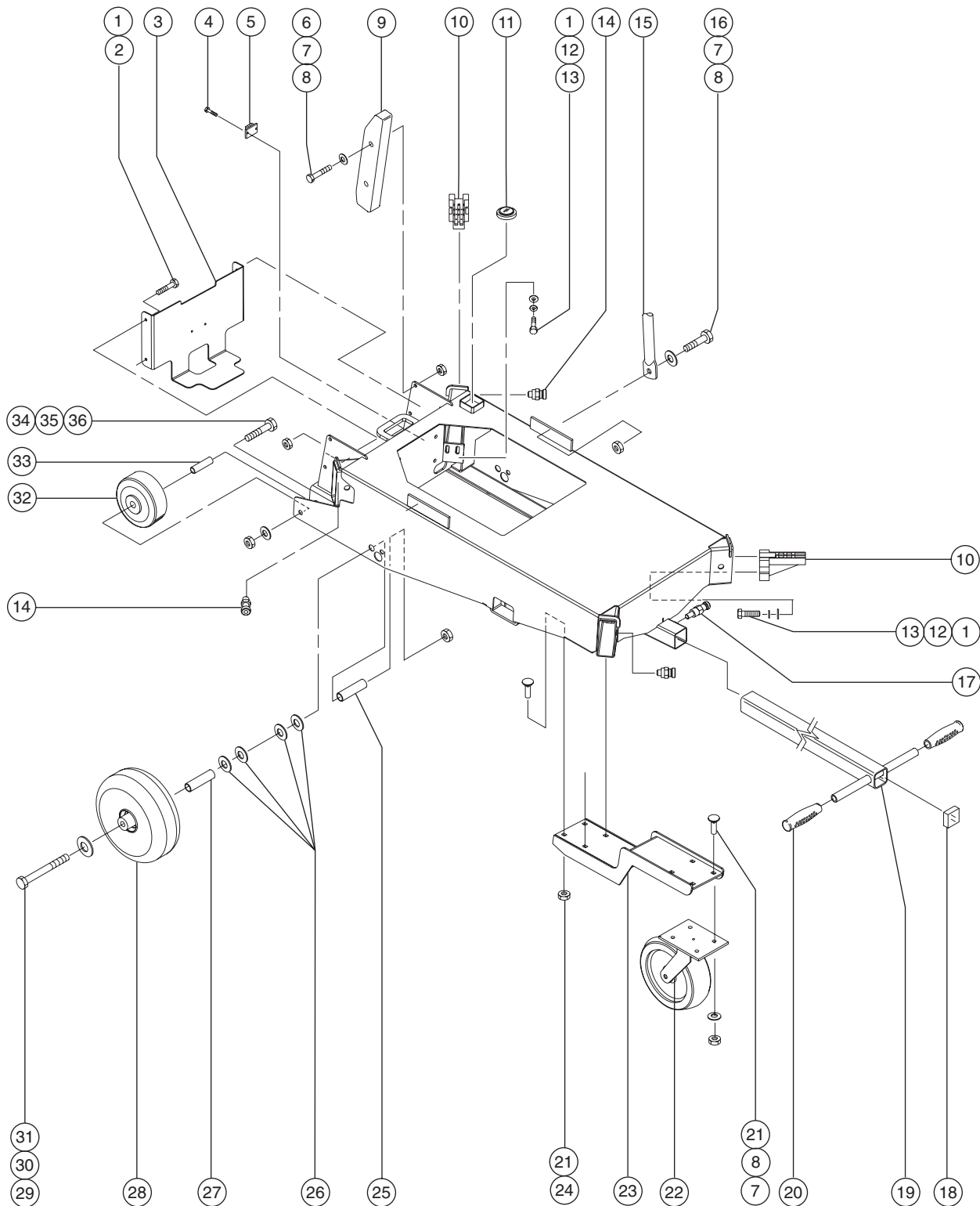


Item	Part No.	Description	Qty.	Item	Part No.	Description	Qty.
—	40272	Base Assembly with Word Decals (includes items 11, 14 and 18) (all models before serial number AWP04-29900) (USA, Australia and Canada models after serial number AWP04-29899)		9	27415	Glide Block	2
—	107074	Base Assembly with Symbol Decals (includes items 11, 14 and 18) (Asia, South America and Europe models after serial number AWP04-29899)		10	Ref.	Outrigger Interlock Bracket Assembly (refer to 205.1)	
—	80363	Conversion Kit, Rough Terrain to Narrow		11	6714	Bubble Level	1
1	6090	Screw - HHC, 1/4 -20 x 0.75 inch, GR 5		12	6356	Lock Washer, 1/4 inch	
2	6091	Nylock Nut, 1/4 -20		13	6638	Flat Washer, 1/4 inch	
3	40273	Rear Cover Assembly with Word Decals (all models before serial number AWP04-29900) (USA, Australia and Canada models after serial number AWP04-29899)	1	14	6825	Outrigger Lock Pin	4
—	107075	Rear Cover Assembly with Symbol Decals (Asia, South America and Europe models after serial number AWP04-29899)		15	32425-S	Left Side Mast Brace, 40.25 inches (AWP-20S, AWP-25S and AWP-30S)	1
—	150155	Rear Cover Assembly with Word Decals (after serial number AWP06-51505)		—	32424-S	Right Side Mast Brace, 40.25 inches (AWP-20S, AWP-25S and AWP-30S)	
—	150156	Rear Cover Assembly with Symbol Decals (after serial number AWP06-51504)		16	6019	Screw - HHC, 3/8 -16 x 1.25 inches, GR 5	
4	10153	Screw - PHM, 6-32 x 0.38 inch		17	35830	T-handle Lock Pin Kit	1
5	80708	Terminal Strip Assembly, Wieland (AC and DC models)	1	18	46567	Plastic Cap, 1.75 x 0.12 inch	1
—	74917	Jumper, 4 -Way		19	37395-S	T-handle, AWP-20S, AWP-25S and AWP-30S	1
—	76479	Terminal Strip, 2-Connector		20	6587	Rubber Grip	2
—	76480	Terminal Strip, End Plate		21	105092	Carriage Bolt, 3/8 -16 x 1.25, GR5	
—	76481	End Plate, 4 -Connector		22	38702	Pneumatic Caster, 8 inches	2
6	5224	Screw - HHC, 3/8 -16 x 2 inches, GR 5		23	38708-S	Caster Mount (before serial number AWP06-51505)	2
7	6097	Flat Washer, 3/8 inch		—	109665	Caster Mount (after serial number AWP06-51504)	
8	4828	Nylock Nut, 3/8 -16		24	7713	Low Profile Nylock Nut, 3/8 -16	
				25	57099	Bushing	2
				26	30748	Flat Washer, 1.01 x 1.63 x 0.062 inch	
				27	57098	Spanner Bushing, .75 x 1.00 x 3.5 inches	2
				28	57252	Pneumatic Wheel	2
				29	57100	Screw - HHC, 3/4 -10 x 8 inches, GR 5	
				30	6564	Flat Washer, 0.75 x 1.125 x 0.093 inch	

This list continues on the next page.



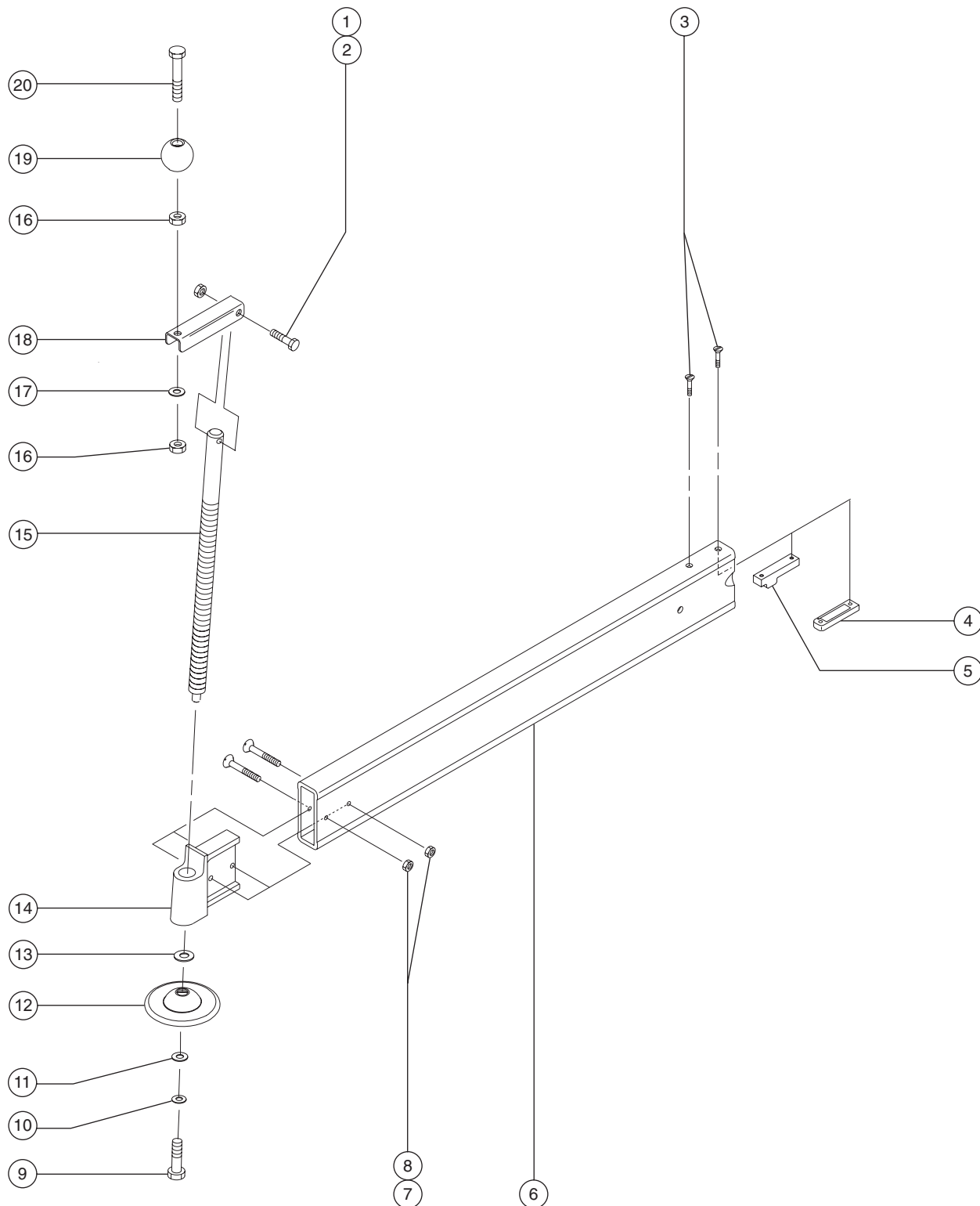
Figure 203.1
Rev B
Description Rough Terrain Base Assembly



Item	Part No.	Description	Qty.
31	10258	Nylock Nut, 3/4 -10	
32	57785	Rear Wheel, 5 x 2 inches	2
33	37202	Bushing, 6 x 2 Wheel	2
34	69226	Axle Screw with Grease Fitting, 1/2 -13 x 3.38 inches	2
35	13066	Flat Washer, 1/2 inch	
36	6198	Nylock Nut, 1/2 -13	



Figure 204.1
Rev A
Description Outrigger Assembly



Item	Part No.	Description	Qty.
—	27614	Leveling Jack Assembly (includes items 1, 2 and 9 - 20)	
1	6145	Screw - HHC, 1/4 -20 x 1.5 inches, GR 5	
2	6889	Low Profile Nylock Nut, 1/4 -20	
3	38596	Screw - FHPM, with Nylon, 10-32 x 0.5 inch	
4	Ref.	Outrigger Contact Assembly, AC and DC Models (refer to 205.1)	
5	Ref.	Outrigger Contact Assembly, Air Models (refer to 205.1)	
6	Ref.	Outrigger Tube Assembly (refer to 205.1)	
7	7713	Low Profile Nylock Nut, 3/8 -16	
8	6610	Screw - FHSC, 3/8 -16 x 2 inches, GR 8	8
9	10107	Screw - HHC, 5/16 -18 x 0.75 inch, GR 5	
10	6886	Lock Washer, 5/16 inch	
11	57201	Hardened Flat Washer, 0.313 inch	
12	14538	Leveling Jack Foot Pad	4
13	22261	Flat Washer, 5/8 inch	
14	24900	Leveling Jack Casting	4
15	23491	Leveling Jack Rod, 19.25 inches	4
16	6022	Nut, 3/8 -16 GR 2	
17	6021	Lock Washer, 3/8 inch	
18	8214	Leveling Jack Handle	4
19	6082	Handle Knob	4
20	6708	Screw - HHC, 3/8 -16 x 2.25 inches, GR 5	



Figure	Rev	Description
205.1	A	Outrigger Assembly Cross Reference

Standard Base

Applicable Standard / Region	AWP-20S (AC or DC)	AWP-25S (AC or DC)	AWP-30S (AC or DC)	AWP-30S (Air)	AWP-36S (AC or DC)	AWP-40S (AC or DC)
ANSI/CSA (USA, Asia, South America, Canada)						
Outrigger Assembly, Complete	107400	107400	107401	107402	107403	107404
Outrigger Tube Assembly (Fig. 204.1, item 6)	107100	107100	107102	107119	107104	107106
Interlock Bracket Assembly (Fig 201, item 11, Fig. 202.1 or 203.1, item 10)	40290	40290	40291	43006	40292	40292
Outrigger Contact Assembly (Fig. 204.1, item 4 or item 5)	40494	40494	40495	40954	40497	40498
CE (Europe) Indoor						
Outrigger Assembly, Complete	107405	107406	107407	107408	107409	107410
Outrigger Tube Assembly (Fig. 204.1, item 6)	107108	107109	107110	107122	107115	107116
Interlock Bracket Assembly (Fig 201, item 11, Fig. 202.1 or 203.1, item 10)	40290	40291	41336	43007	40292	40293
Outrigger Contact Assembly (Fig. 204.1, item 4 or item 5)	40494	40495	40496	40955	40497	40498
CE (Europe) Outdoor						
Outrigger Assembly	107411	107412	107412	107413	107414	107415
Outrigger Tube Assembly (Fig. 204.1, item 6)	107117	107113	107113	107124	107114	107118
Interlock Bracket Assembly (Fig 201, item 11, Fig. 202.1 or 203.1, item 10)	40290	40291	41336	43011	40292	40293
Outrigger Contact Assembly (Fig. 204.1, item 4 or item 5)	43622	43623	43623	41491	43624	43625

Outrigger Assembly, Complete includes items 1 through 20, figure 204.1

Outrigger Tube Assembly, Complete includes items 3 through 8, figure 204.1

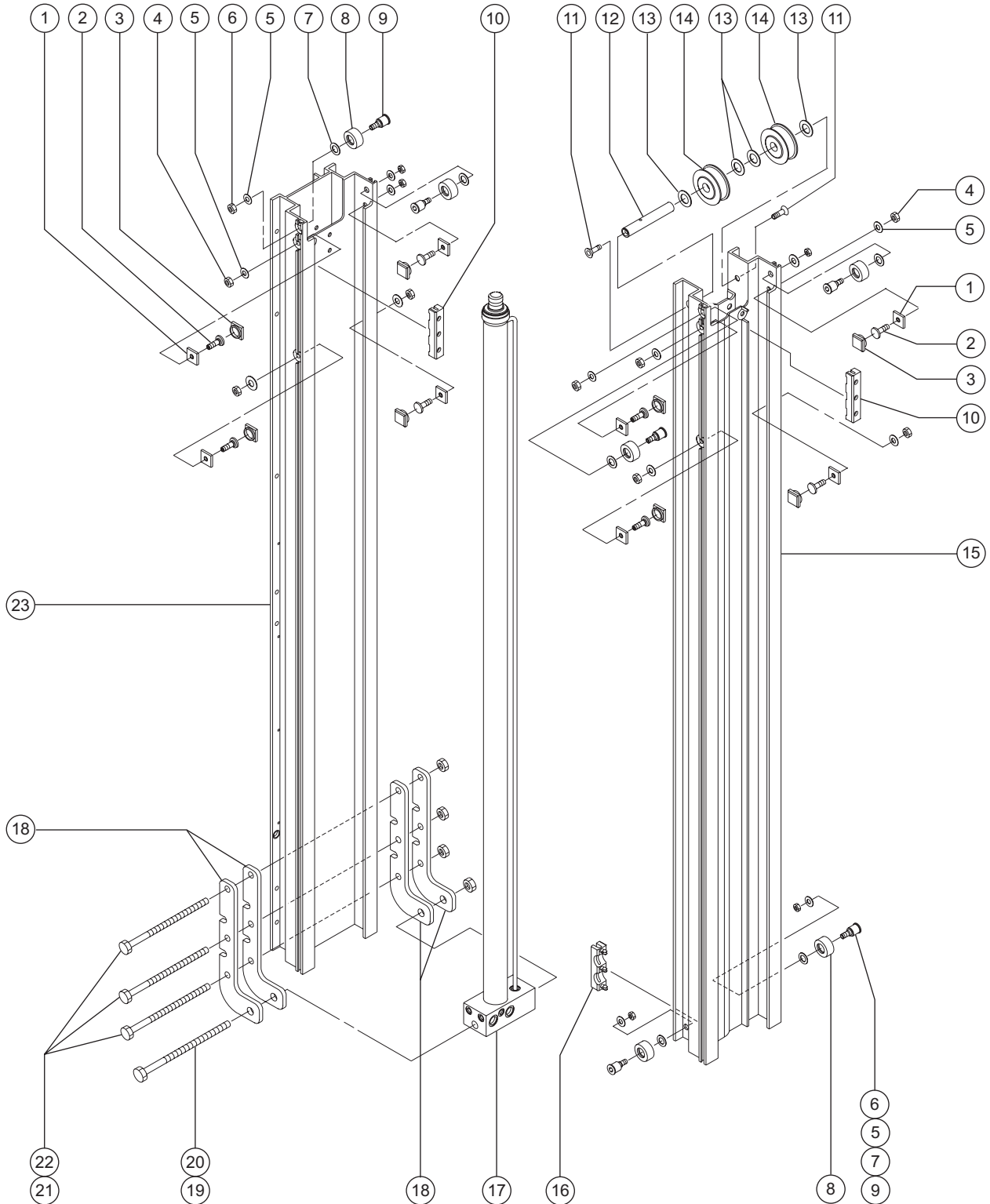
Narrow Base or Rough Terrain Base

Applicable Standard / Region	AWP-20S (AC or DC)	AWP-25S (AC or DC)	AWP-30S (AC or DC)	AWP-30S (Air)
ANSI/CSA (USA, Asia, South America, Canada)				
Outrigger Assembly, Complete	107416	107416	107417	107418
Outrigger Tube Assembly (figure 204.1, item 6)	107100	107100	107102	107119
Interlock Bracket Assembly (figure 202.1 or 203.1, item 10)	40290	40290	40291	43006
Outrigger Contact Assembly (figure 204.1, item 4 or item 5)	40494	40494	40495	40954
CE (European) Indoor				
Outrigger Assembly	107419	107419	107420	107421
Outrigger Tube Assembly (figure 204.1, item 6)	107109	107109	107115	107123
Interlock Bracket Assembly (figure 202.1 or 203.1, item 10)	40291	40291	40292	43008
Outrigger Contact Assembly (figure 204.1, item 4 or item 5)	40495	40495	40497	40955
CE (European) Outdoor				
Outrigger Assembly, Complete	107422	107422	107423	107424
Outrigger Tube Assembly (figure 204.1, item 6)	107113	107113	107114	107125
Interlock Bracket Assembly (figure 202.1 or 203.1, item 10)	40291	40291	40292	43009
Outrigger Contact Assembly (figure 204.1, item 4 or item 5)	43623	43623	43624	40955

Outrigger Assembly, Complete includes items 1 through 20, figure 204.1

Outrigger Tube Assembly, Complete includes items 3 through 8, figure 204.1

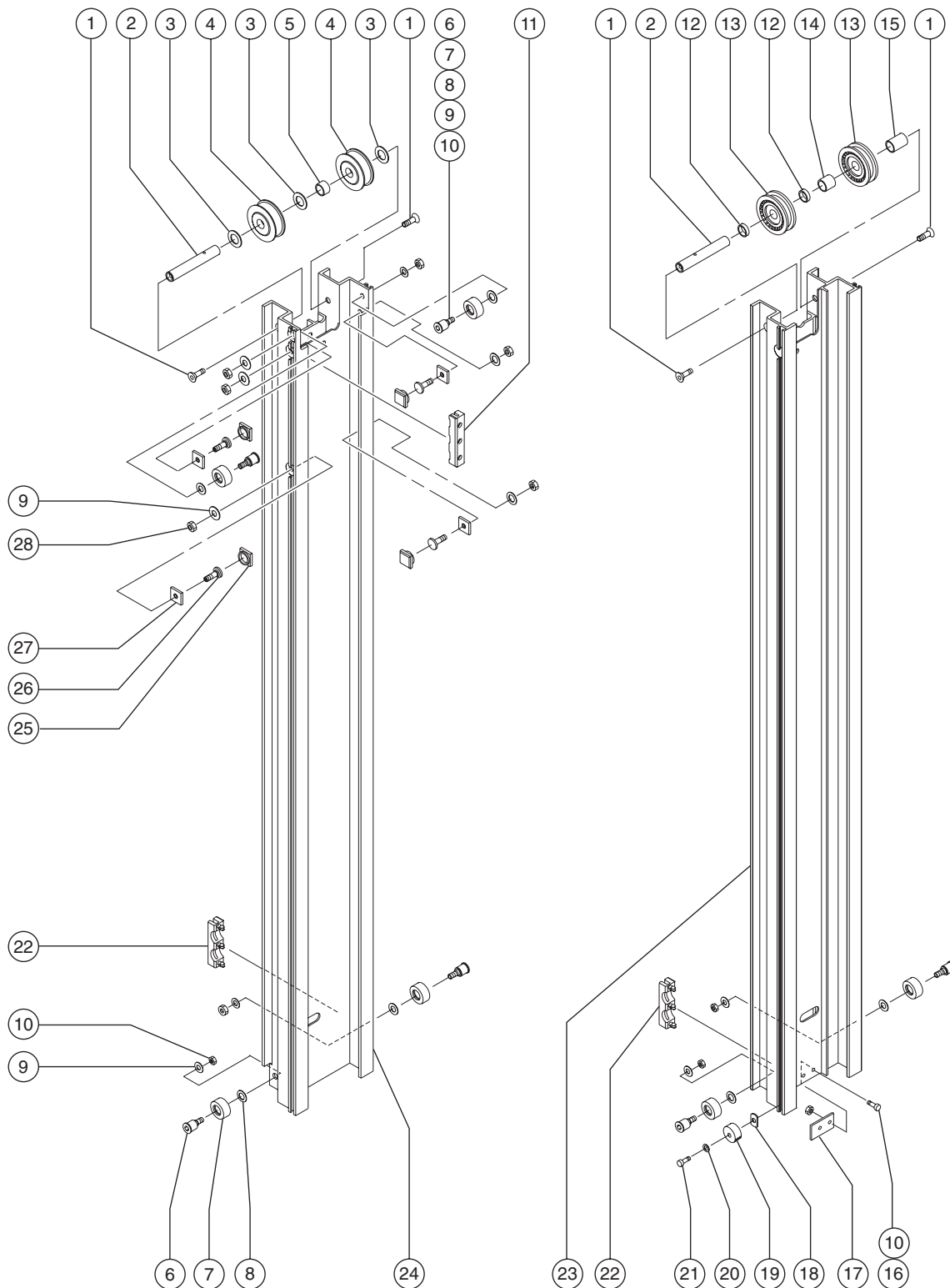
Figure 301.1 **Rev A** **Description**
 Number 1 and 2 Column Assemblies, All Models



Item	Part No.	Description	Qty.
1	38013	Glide Pad Lock Nut	8
2	40946	Glide Pad Bolt	8
3	38011	Glide Pad	8
4	6022	Hex Nut, 3/8 -16	
5	6097	Flat Washer, 3/8 inch	
6	7713	Low Profile Nylock Nut, 3/8 -16	
7	6052	Flat Washer, 0.5 x 0.875 x 0.063 inch	
8	38016	Roller	6
9	35706	Roller Bolt	6
10	35709	Upper Slide Block	2
11	45425	Screw - FHS, 3/8 -16 x 0.75 inch	
12	35707	Idler Wheel Axle	1
13	38709	Flat Washer, 0.938 x 1.375 x 0.05 inch	
14	38447	Large Chain Idler Wheel, 3 inches	2
15	35757	Number 2 Column Assembly, AWP-20S, AWP-25S and AWP-30S	1
—	35771	Number 2 Column Assembly, AWP-36S and AWP-40S	
16	35710	Lower Slide Block	1
17	Ref.	Lift Cylinder (refer to 601.1)	
18	35727P	Cylinder Mount Plate	4
19	35728	Screw - HHC, 5/8 -11 x 7.5 inches, GR 5	
20	38028	Nylock Nut, 5/8 -11	
21	38601	Screw - HHC, 1/2 -13 x 7.5 inches, GR 5	
22	6086	Nylock Nut, 1/2 -13	
23	40478	Number 1 Column Assembly, AWP-20S, AWP-25S and AWP-30S	1
—	40479	Number 1 Column Assembly, AWP-36S and AWP-40S	



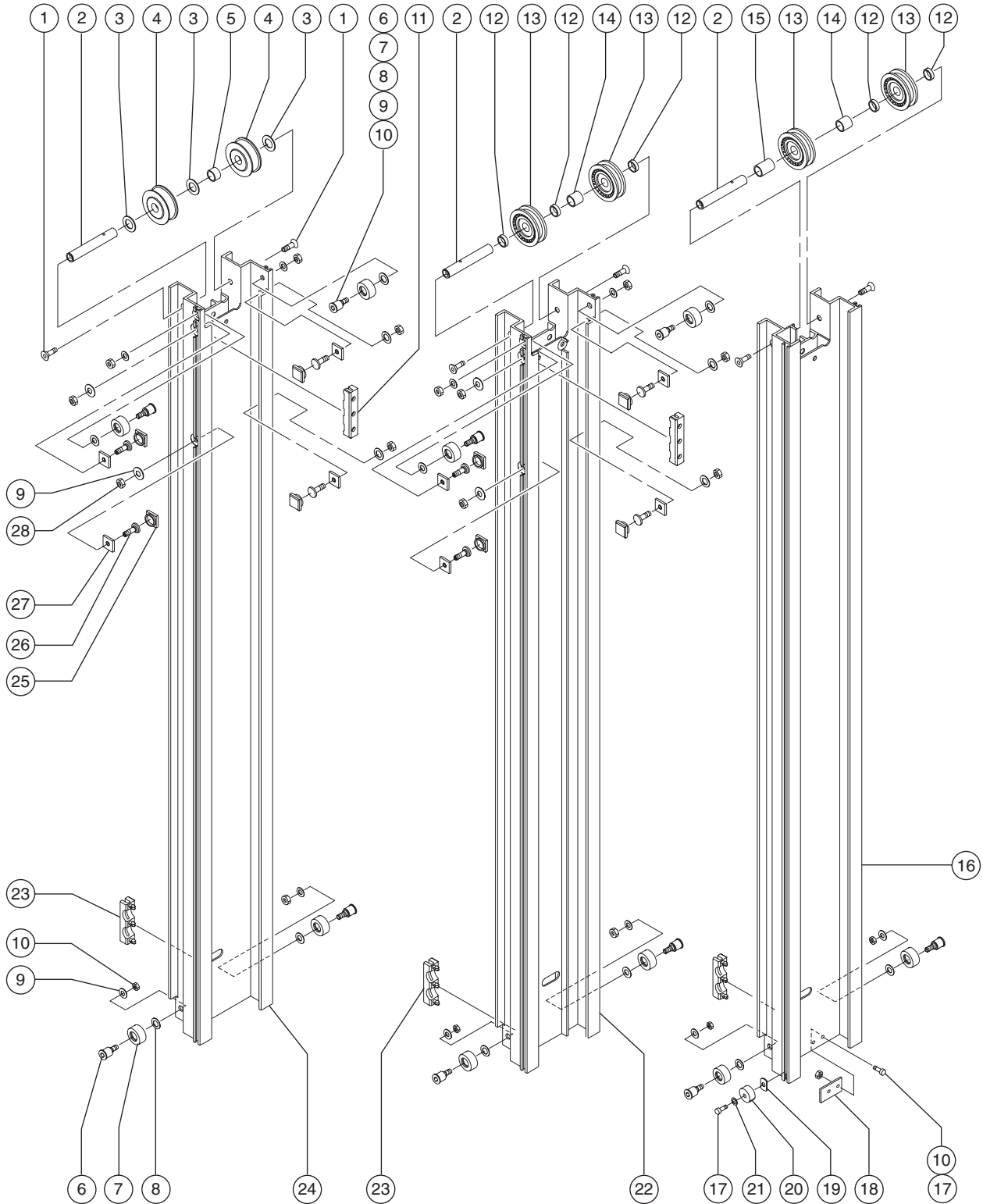
Figure 302.1 **Rev** A **Description** Number 3 and 4 Column Assemblies, AWP-20S



Item	Part No.	Description	Qty.
1	45425	Screw - FHS, 3/8 -16 x 0.75 inch	
2	35707	Idler Wheel Axle	2
3	38709	Shim Washer, 0.938 x 1.370 x 0.48 inch	
4	38447	Large Chain Idler Wheel, 3 inches	2
5	38316	Spacer, 0.82 x 1 x 0.56 inch	1
6	35706	Roller Bolt	6
7	80938	Roller	6
8	6052	Shim Washer, 0.5 x 0.875 x 0.063 inch	
9	6097	Flat Washer, 3/8 inch	
10	7713	Low Profile Nylock Nut, 3/8 -16	
11	35709	Upper Slide Block	1
12	35722	Spacer, 0.825 x 1 x 0.31 inch	2
13	35715	Small Chain Idler Wheel, 3.25 inches	2
14	35711	Spacer, 0.825 x 1 x 0.84 inch	1
15	37686	Spacer, 0.825 x 1 x 1.4 inches	1
16	8255	Screw - HHC, 3/8 -16 x 0.75 inch, GR 5	
17	40627-S	Reinforcement Plate	1
18	35991	Weld Nut, 1/4 -20	
19	38983	Mast Bumper	1
20	6638	Flat Washer, 1/4 inch	
21	6090	Screw - HHC, 1/4 -20 x 0.75 inch, GR 5	
22	35710	Lower Slide Block	2
23	35761	Number 4 Column	1
24	35758	Number 3 Column	1
25	38011	Adjustable Glide Pad	4
26	40946	Adjustable Glide Pad Bolt	4
27	38013	Adjustable Glide Pad Lock Nut	8
28	6022	Nut, 3/8 -16, GR 2	



Figure 303.1 **Rev** A **Description** Number 3, 4 and 5 Column Assemblies, AWP-25S and AWP-36S

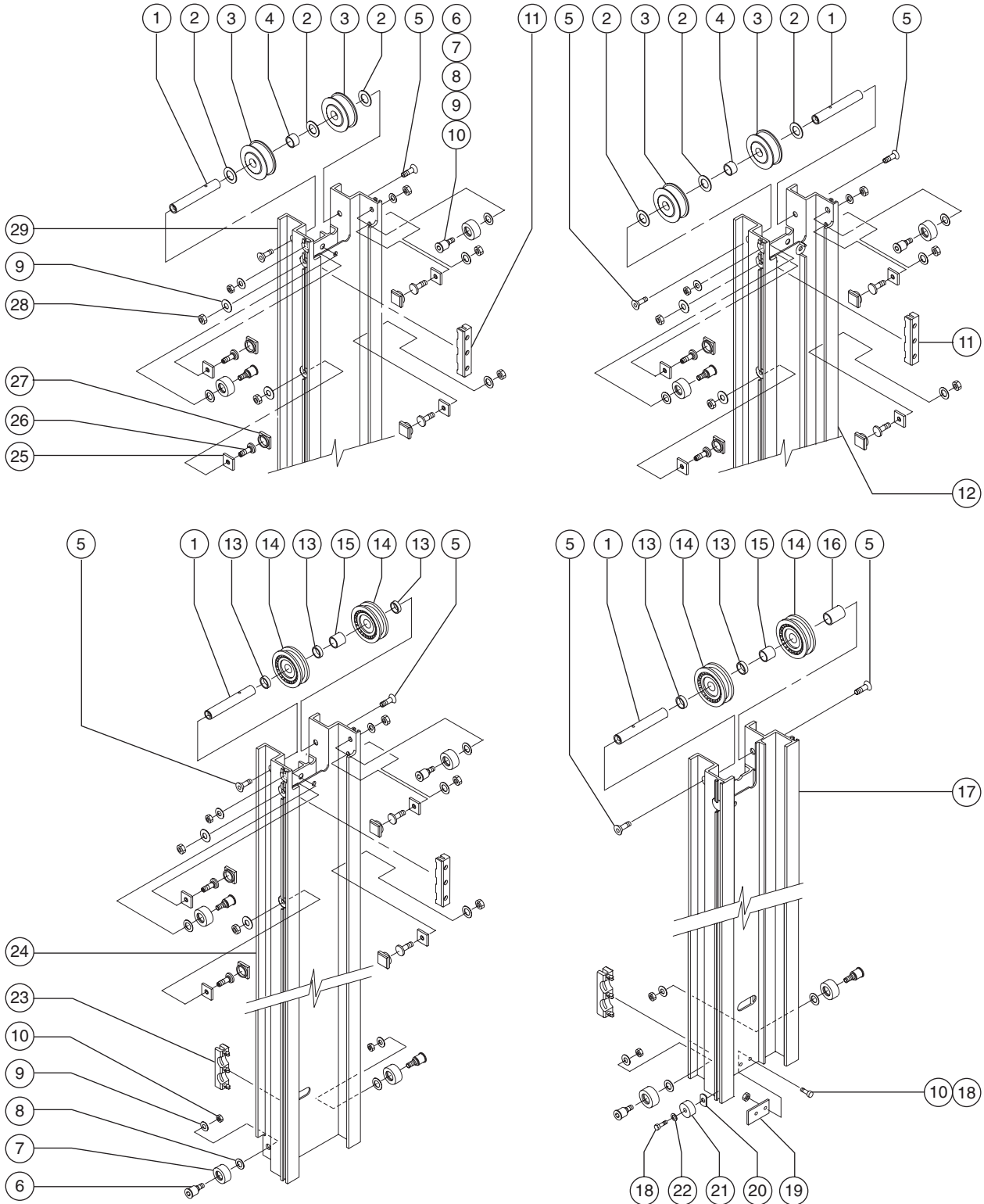


303.1
Number 3, 4 and 5 Column Assemblies, AWP-25S and AWP-36S Rev A

Item	Part No.	Description	Qty.	Item	Part No.	Description	Qty.
1	45425	Screw - FHSC, 3/8 -16 x 0.75 inch		27	38013	Adjustable Glide Pad Nut-Lock	8
2	35707	Idler Wheel Axle	3	28	46017	Jam Nut, 3/8 -16	
3	38709	Flat Washer, 0.938 x 1.375 x 0.05 inch					
4	38447	Large Chain Idler Wheel, 3 inches	2				
5	38316	Spacer, 0.82 x 1 x 0.56 inch	1				
6	35706	Roller Bolt	10				
7	38016	Roller	10				
8	6052	Shim Washer, 0.5 x 0.875 x 0.063 inch					
9	6097	Flat Washer, 3/8 inch					
10	7713	Low Profile Nylock Nut, 3/8 -16					
11	35709	Upper Slide Block	2				
12	35722	Spacer, 0.82 x 1 x 0.31 inch	5				
13	35715	Small Chain Idler Wheel, 3.25 inches.	4				
14	35711	Spacer, 0.82 x 1 x 0.84 inch	2				
15	37686	Spacer, 0.82 x 1 x 1.4 inches	1				
16	35760	Number 5 Column, AWP-25S	1				
—	35774	Number 5 Column, AWP-36S					
17	8255	Screw - HHC, 3/8 -16 x 0.75 inch, GR 5					
18	40627-S	Reinforcement Plate	1				
19	35991	Weld Nut, 1/4 -20	1				
20	38983	Mast Bumper	1				
21	6638	Flat Washer, 1/4 inch	2				
22	35759	Number 4 Column, AWP-25S	1				
—	35773	Number 4 Column, AWP-36S					
23	35710	Lower Slide Block,	3				
24	35758	Number 3 Column, AWP-25S	1				
—	35772	Number 3 Column, AWP-36S					
25	38011	Adjustable Glide Pad	8				
26	40946	Adjustable Glide Pad Bolt	8				



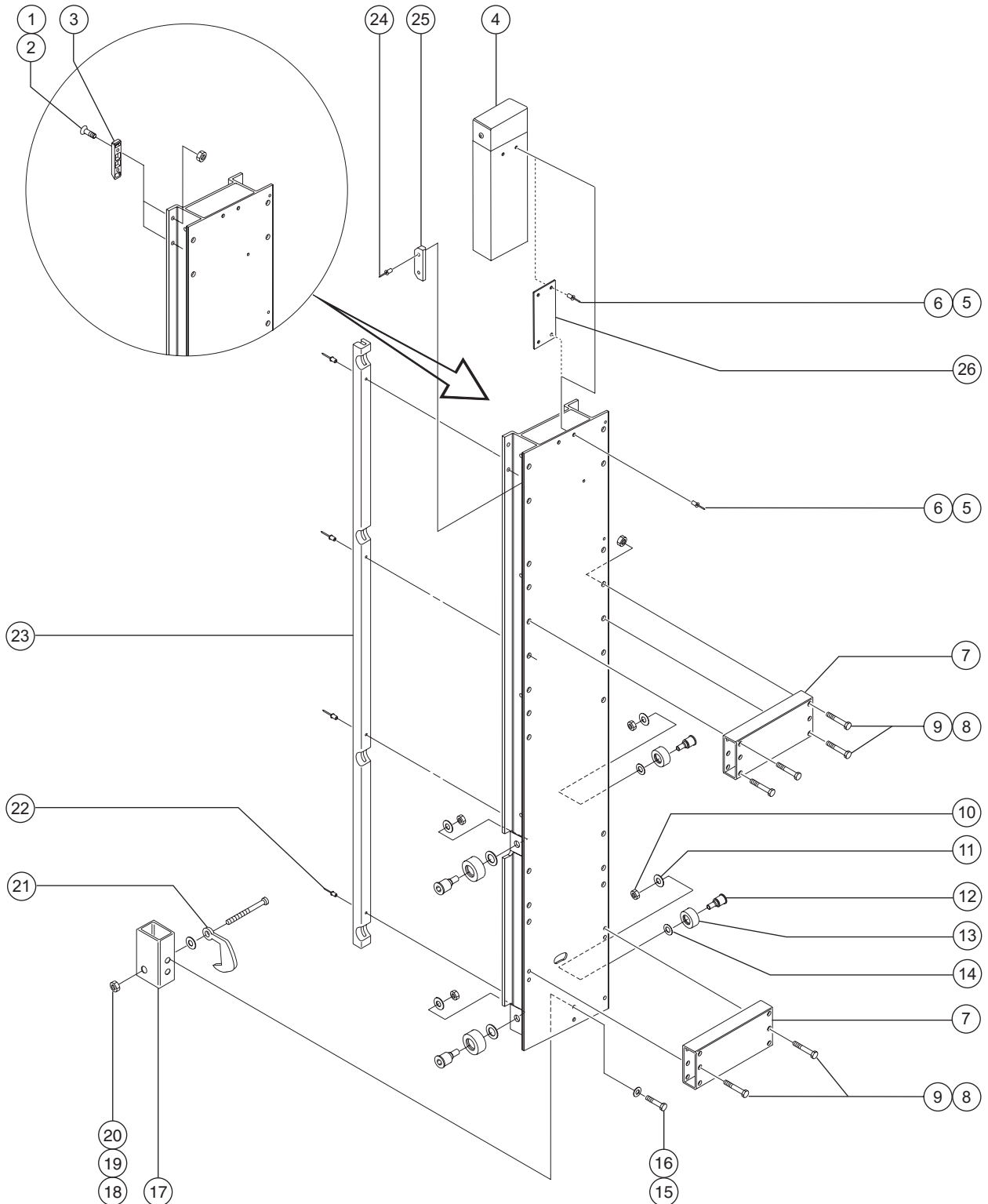
Figure 304.1 **Rev** A **Description** Number 3, 4, 5 and 6 Column Assemblies, AWP-30S and AWP-40S



Item	Part No.	Description	Qty.	Item	Part No.	Description	Qty.
1	35707	Idler Wheel Axle	4	27	38011	Adjustable Glide Pad	12
2	38709	Flat Washer, 0.938 x 1.375 x 0.05 inch	6	28	6022	Hex Nut, 3/8 -16	
3	38447	Large Chain Idler Wheel, 3 inches	4	29	35758	Number 3 Column, AWP-30S	1
4	38316	Spacer, 0.82 x 1 x 0.56 inch	2	—	35772	Number 3 Column, AWP-40S	
5	45425	Screw - FHSC, 3/8 -16 x 0.75 inch					
6	35706	Roller Bolt	14				
7	38016	Roller	14				
8	6052	Shim Washer, 0.5 x 0.875 x 0.063 inch					
9	6097	Flat Washer, 3/8 inch					
10	7713	Low Profile Nylock Nut, 3/8 -16					
11	35709	Upper Slide Block	3				
12	35759	Number 4 Column, AWP-30S	1				
—	35773	Number 4 Column, AWP-40S					
13	35722	Spacer, 0.82 x 1 x 0.31 inch	5				
14	35715	Small Chain Idler Wheel, 3.25 inches	4				
15	35711	Spacer, 0.82 x 1 x 0.84 inch	2				
16	37686	Spacer, 0.82 x 1 x 1.4 inches	1				
17	35761	Number 6 Column, AWP-30S	1				
—	35775	Number 6 Column, AWP-40S					
18	8255	Screw - HHC, 3/8 -16 x 0.75 inch, GR 5	3				
19	40627-S	Reinforcement Plate	1				
20	35991	Weld Nut, 1/4 -20	1				
21	38983	Mast Bumper	1				
22	6638	Flat Washer, 1/4 inch					
23	35710	Lower Slide Block	3				
24	35758	Number 5 Column, AWP-30S	1				
—	35772	Number 5 Column, AWP-40S					
25	38013	Adjustable Glide Pad Lock Nut	12				
26	40946	Adjustable Glide Pad Bolt	12				



Figure 305.1
Rev A
Description Carriage Assembly

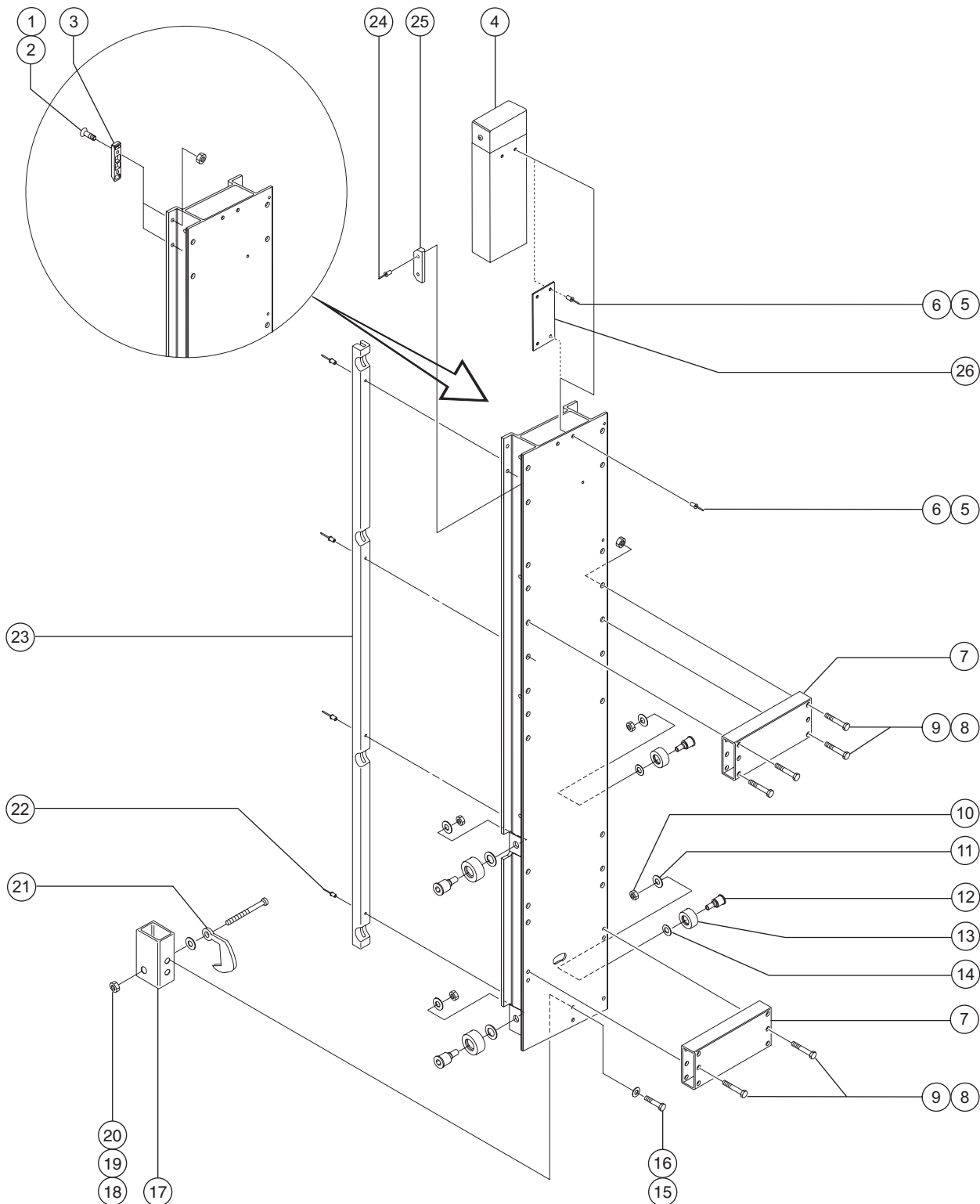


Item	Part No.	Description	Qty.	Item	Part No.	Description	Qty.
Assemblies with Word Decals:				1	14182	Screw - FHS, 1/4 -20 x 1 inch, GR 5	
—	107481	Carriage Assembly, Aluminum Platform (includes items 4-9, and 15-16) (AWP-20S and AWP-30S)		2	6091	Nylock Nut, 1/4 -20	
—	107482	Carriage Assembly, Aluminum Platform (includes items 4-9, and 15-16) (AWP-25S and AWP-36S)		3	38014	Carriage Shim	2
—	107483	Carriage Assembly, Aluminum Platform (includes items 4-9, and 15-16) (AWP-40S)		4	40267	Manual Storage Box Assembly with Word Decal (includes items 5 and 6)	1
—	107484	Carriage Assembly, Fiberglass Platform (includes items 4-9, 15-16 and 19) (AWP-20S and AWP-30S)		—	38728	Manual Holder	
—	107485	Carriage Assembly, Fiberglass Platform (includes items 4-9, 15-16 and 19) (AWP-25S and AWP-36S)		—	2223	Cable Assembly	
—	107486	Carriage Assembly, Fiberglass Platform (includes items 4-9, 15-16 and 19) (AWP-40S)		5	6271	Steel Rivet, 1/4 inch	3
				6	6638	Flat Washer, 1/4 inch	
				7	38989P	Platform Spacer	2
				8	6326	Screw - HHC, 3/8 -16 x 3 inches, GR 5	
				9	4828	Nylock Nut, 3/8 -16	
				10	7713	Low Profile Nylock Nut, 3/8 -16	
				11	6097	Flat Washer, 3/8 inch	
				12	35706	Roller Bolt	4
				13	38026	Roller	4
				14	6052	Flat Washer, 0.5 x 0.875 x 0.063 inch	
				15	7339	Screw - HHC, 3/8 -16 x 3 inches, GR 5	
				16	6356	Lock Washer, 1/4 inch	
				17	37389	Hold-down Tube	1
				18	7713	Low Profile Nylock Nut, 3/8 -16	
				19	6097	Flat Washer, 3/8 inch	
				20	13918	Screw - HHC, 3/8 -16 x 1.75 inches, GR 8	1
				21	35789P	Hold-down Hook	1
				22	8920	Aluminum Rivet, 5/32 x 0.375 inch	
				23	38005	Carriage Slider Block	1
				24	69855	Aluminum Rivet, 1/4 inch	

This list continues on the next page.



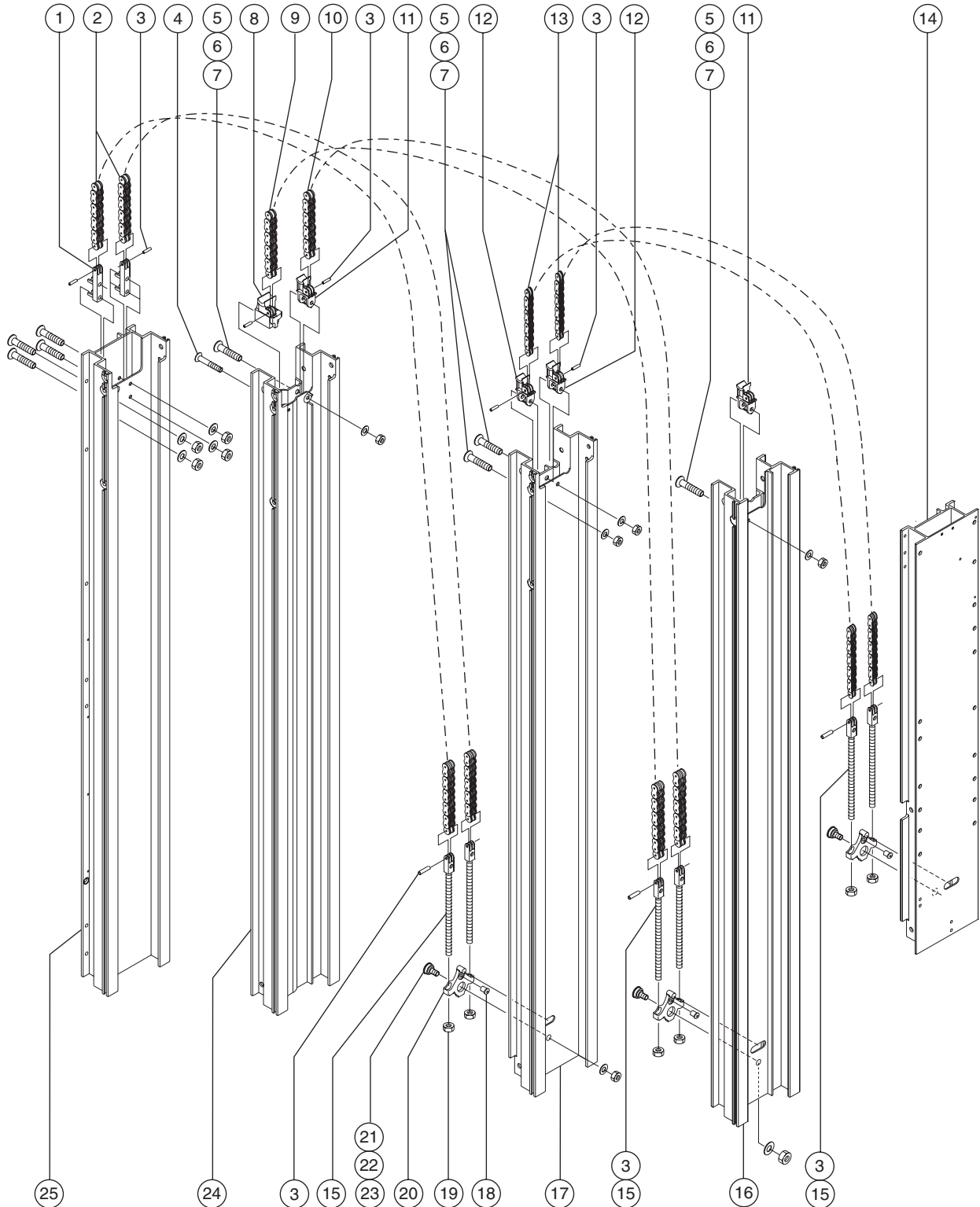
Figure 305.1
Rev A
Description Carriage Assembly



Item	Part No.	Description	Qty.
25	100171	Carriage Shim	2
26	46695-S	Manual Storage Tube Mounting Plate (models with Fiberglass Platform)	1



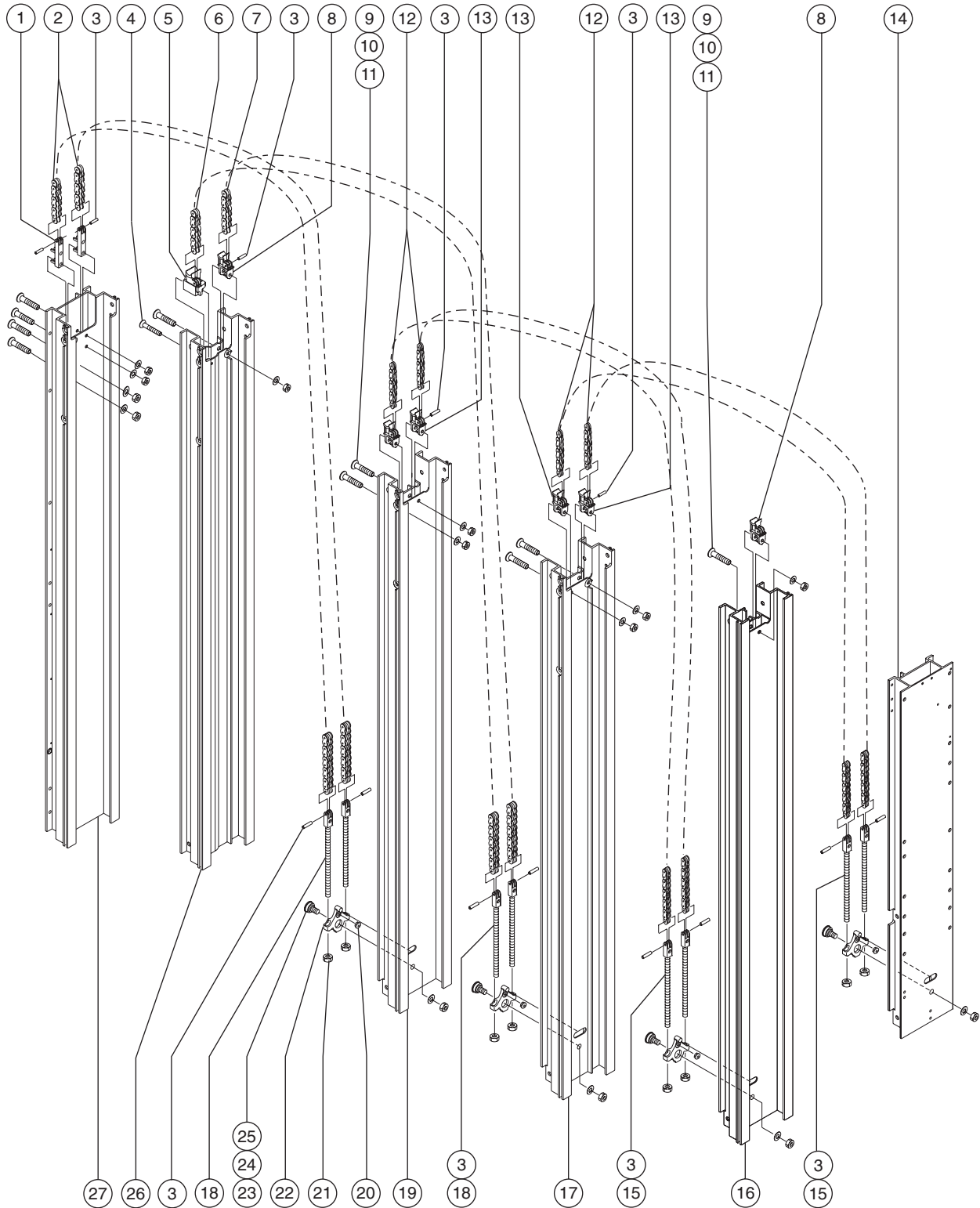
Figure 306.1 **Rev** A **Description** Lifting Chain Assembly, AWP-20S



Item	Part No.	Description	Qty.	Item	Part No.	Description	Qty.
1	35699	Upper Chain Terminal, Number 1 Column	2	19	35712	Nylock Nut, 3/8 -24	
2	37385	Chain Assembly, Number 1 Column (includes items 1, 3, and 15)	2	20	35698	Chain Tension Rocker	3
—	35704-6813	Leaf Chain, 68.5 inches		21	35705	Rocker Bolt	3
3	6534	Grooved Pin, 0.2 x 0.75 inch	12	22	6095	Flat Washer, 1/2 inch	
4	40945	Screw - FHS, 1/4 -20 x 2.25 inches		23	6086	Low Profile Nylock Nut, 1/2 -13	
5	35714	Screw - FHS, 3/8 -16 x 2.25 inches		24	Ref.	Number 2 Column Assembly (refer to 301.1)	
6	5397	Flat Washer, 5/16 inch		25	Ref.	Number 1 Column Assembly (refer to 301.1)	
7	4828	Nylock Nut, 3/8 -16					
8	35697	Chain Terminal, Clevis Cylinder ...	1				
9	37384	Chain Assembly, Number 2 Column (includes items 3, 8 and 15)	1				
—	35704-6813	Leaf Chain, 68.5 inches					
10	37386	Chain Assembly, Number 2 Column (includes items 3, 11 and 15)	1				
—	35704-6813	Leaf Chain, 68.5 inches					
11	35695	Chain Terminal - Pulley Support, Double Slot	2				
12	38980	Chain Terminal - Pulley Support, Single Slot	2				
13	37387	Chain Assembly, Number 3 Column (includes items 3, 12, and 15)	2				
—	35703-6813	Leaf Chain, 68.5 inches					
14	Ref.	Carriage Assembly (refer to 305.1)					
15	41224	Lower Chain Terminal, Single Slot (includes item 3)	2				
16	Ref.	Number 4 Column Assembly (refer to 302.1)					
17	Ref.	Number 3 Column Assembly (refer to 302.1)					
18	11890	Glide Button	3				



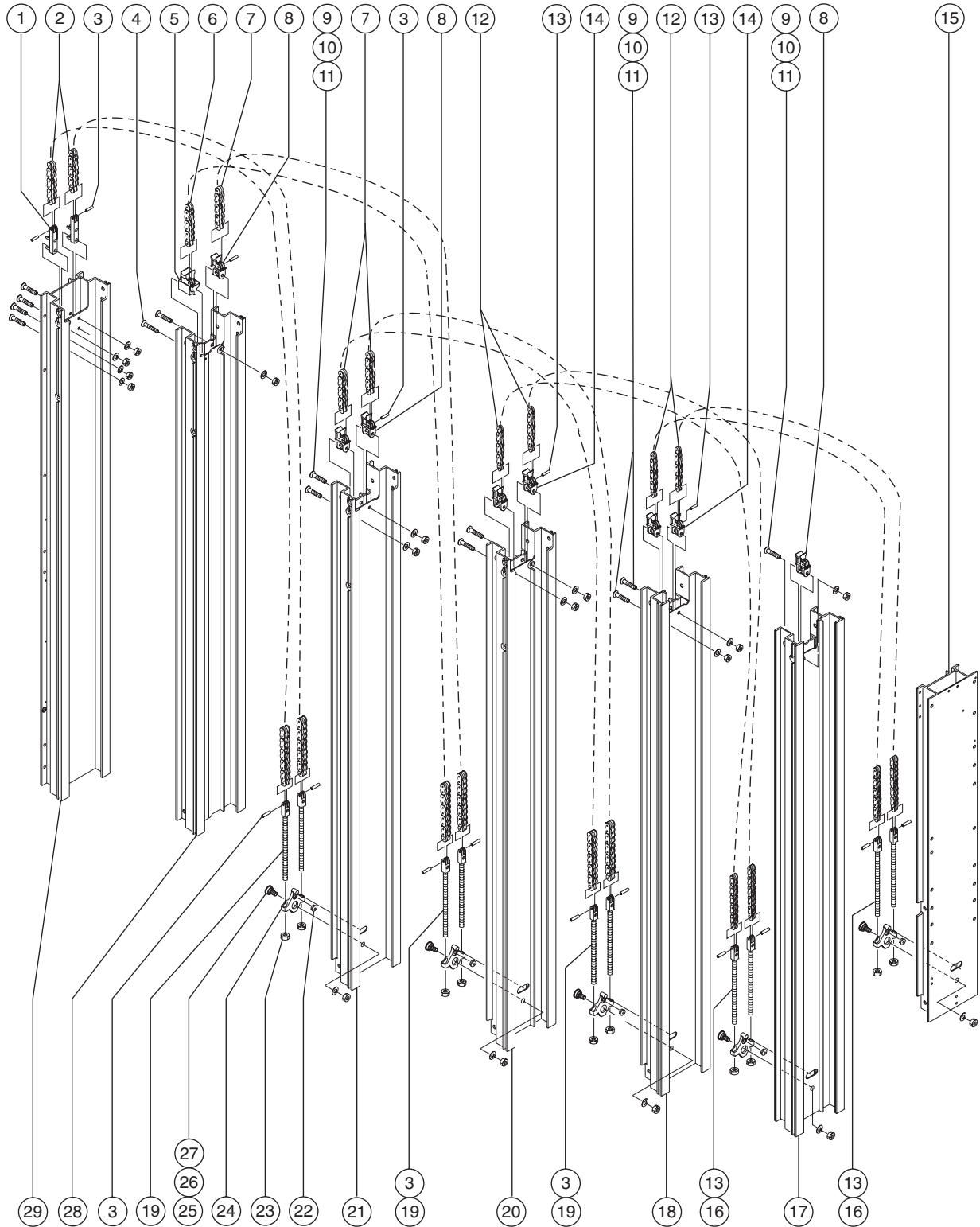
Figure 307.1 **Rev** A **Description** Lifting Chain Assembly, AWP-25S and AWP-36S



Item	Part No.	Description	Qty.	Item	Part No.	Description	Qty.
1	35699	Upper Chain Terminal, Number 1 Column	2	14	Ref.	Carriage Assembly (refer to 305.1)	
2	37385	Chain Assembly, Number 1 Column, AWP-25S (includes item 19)	1	15	41224	Lower Chain Terminal, Single Slot (includes item 13)	4
—	35704-6813	Leaf Chain, 68.5 inches		16	Ref.	Number 5 Column (refer to 304.1)	
—	37995	Chain Assembly, Number 1 Column, AWP-36S (includes item 19)	1	17	Ref.	Number 4 Column (refer to 303.1)	
—	35704-10063	Leaf Chain, 101 inches		18	38187	Lower Chain Terminal, Double Slot (includes item 3)	4
3	38986	Grooved Pin, 0.2 x 0.5 inch	1	19	Ref.	Number 3 Column (refer to 302.1)	
4	40945	Screw - FHSC, 1/4 -20 x 2.25 inches	1	20	11890	Glide Button	4
5	35697	Chain Terminal, Clevis Cylinder ...	1	21	35712	Nylock Nut, 3/8 -24	
6	37384	Chain Assembly, Number 1 Column, AWP-25S (includes items 3, 5 and 19)	1	22	35698	Chain Tension Rocker	4
—	35704-6813	Leaf Chain, 68.5 inches		23	35705	Rocker Bolt	4
—	37996	Chain Assembly, Number 2 Column, AWP-36S (includes items 3, 5 and 19)	1	24	6095	Flat Washer, 1/2 inch	
—	35704-10063	Leaf Chain, 101 inches		25	6198	Nylock Nut	
7	37386	Chain Assembly, AWP-25S (includes items 3, 8 and 19)	1	26	Ref.	Number 2 Column (refer to 301.1)	
—	35704-6813	Leaf Chain, 68.5 inches		27	Ref.	Number 1 Column (refer to 301.1)	
—	37997	Chain Assembly, AWP-36S (includes items 3, 8 and 19)	1				
—	35704-10063	Leaf Chain, 101 inches					
8	35695	Chain Terminal - Pulley Support, Double Slot	2				
9	35714	Screw - FHS, 3/8 -16 x 2.25 inches					
10	5397	Flat Washer, 5/16 inch					
11	4828	Nylock Nut, 3/8 -16					
12	41214	Chain Assembly, AWP-25S (includes items 13, 14 and 16)	4				
—	35704-6813	Leaf Chain, 101 inches					
12	43015	Chain Assembly, AWP-36S (includes items 13, 14 and 16)	4				
—	35704-10063	Leaf Chain, 101 inches					
13	38980	Chain Terminal - Pulley Support, Single Slot	4				



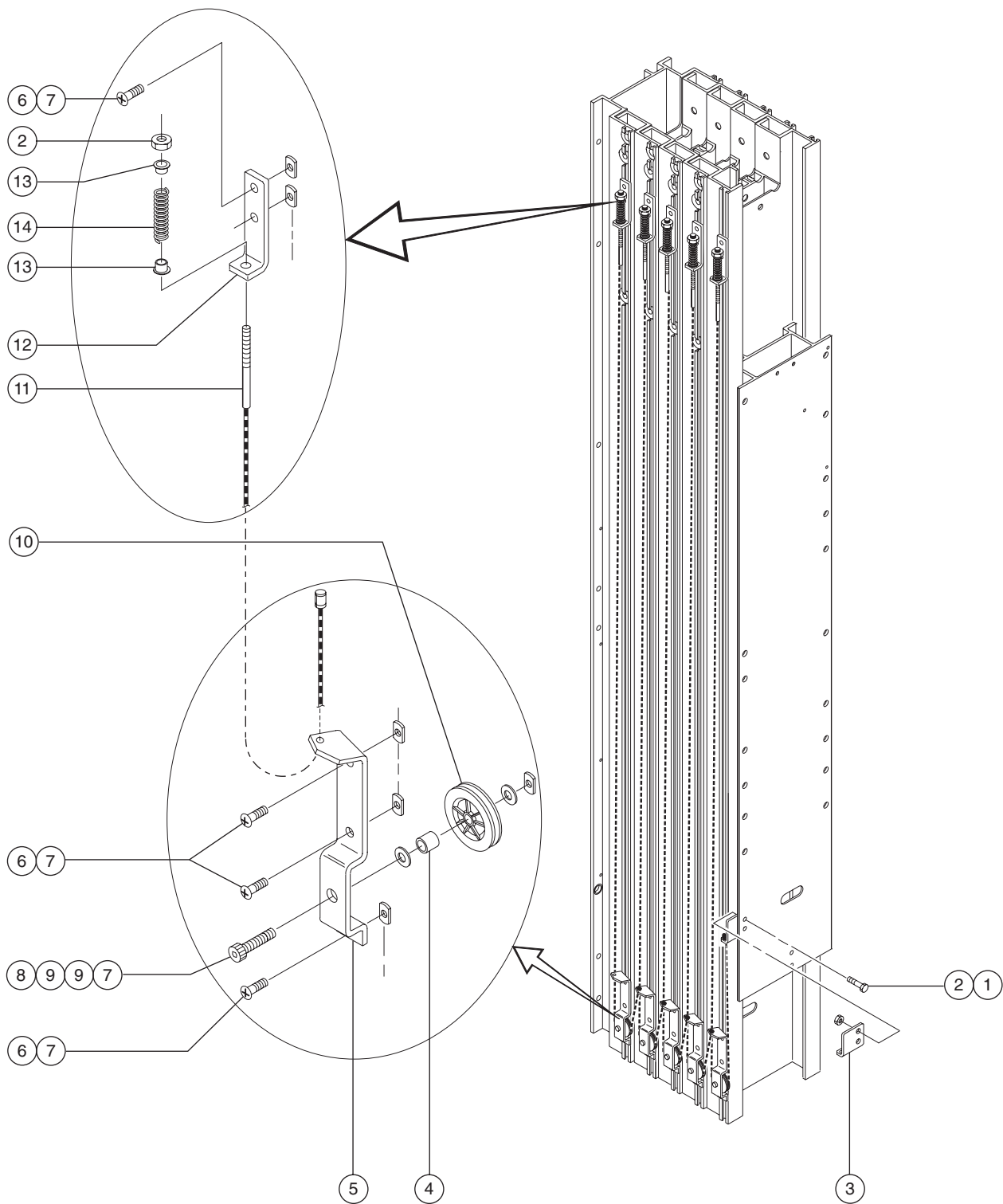
Figure 308.1 **Rev** A **Description** Lifting Chain Assembly, AWP-30S and AWP-40S



Item	Part No.	Description	Qty.	Item	Part No.	Description	Qty.
1	35699	Upper Chain Terminal, Number 1 Column	2	13	38986	Grooved Pin, 0.2 x 0.5 inch	8
2	37385	Chain Assembly, Number 1 Column, AWP-30S (includes items 1 and 19)	2	14	38980	Chain Terminal - Pulley Support, Single Slot	4
—	35704-6813	Leaf Chain, 68.5 inches		15	Ref.	Carriage Assembly (refer to 305.1)	
2	37995	Chain Assembly, Number 1 Column, AWP-40S (includes items 1 and 19)	2	16	41224	Lower Chain Terminal, Single Slot (includes item 3)	4
—	35704-10063	Leaf Chain, 101 inches		17	Ref.	Number 6 Column (refer to 304.1)	
3	6534	Grooved Pin, 0.2 x 0.75 inch	12	18	Ref.	Number 5 Column (refer to 304.1)	
4	40945	Screw - FHS, 1/4 -20 x 2.25 inches		19	38187	Lower Chain Terminal, Double Slot (includes item 3)	10
5	35697	Chain Terminal, Clevis Cylinder ...	1	20	Ref.	Number 4 Column (refer to 304.1)	
6	37384	Chain Assembly, Number 2 Column, AWP-30S (includes items 5 and 19)	1	21	Ref.	Number 3 Column (refer to 304.1)	
—	35704-6813	Leaf Chain, 68.5 inches		22	11890	Glide Button	5
6	37996	Chain Assembly, Number 2 Column, AWP-40S (includes items 5 and 19)	1	23	35712	Nylock Nut, 3/8 -24	
—	35704-10063	Leaf Chain, 101 inches		25	35705	Rocker Bolt	5
7	37386	Chain Assembly, AWP-30S (includes items 8 and 19)	3	26	6095	Flat Washer Flat, 1/2 inch	
—	35704-6813	Leaf Chain, 68.5 inches		27	6198	Nylock Nut, 1/2 -13	
7	37997	Chain Assembly, AWP-40S (includes items 8 and 19)	3	28	Ref.	Number 2 Column (refer to 301.1)	
—	35704-10063	Leaf Chain, 101 inches		29	Ref.	Number 1 Column (refer to 301.1)	
8	35695	Chain Terminal - Pulley Support, Double Slot	4				
9	35714	Screw - FHS, 3/8 -16 x 2.25 inches	12				
10	5397	Flat Washer, 5/16 inch					
11	4828	Nylock Nut, 3/8 -16					
12	41214	Chain Assembly, AWP-40S (includes items 13, 14 and 16)	4				
—	35703-6813	Leaf Chain, 68.5 inches					
12	43015	Chain Assembly, AWP-40S (includes items 13, 14 and 16)	4				
—	35703-10063	Leaf Chain, 101 inches					



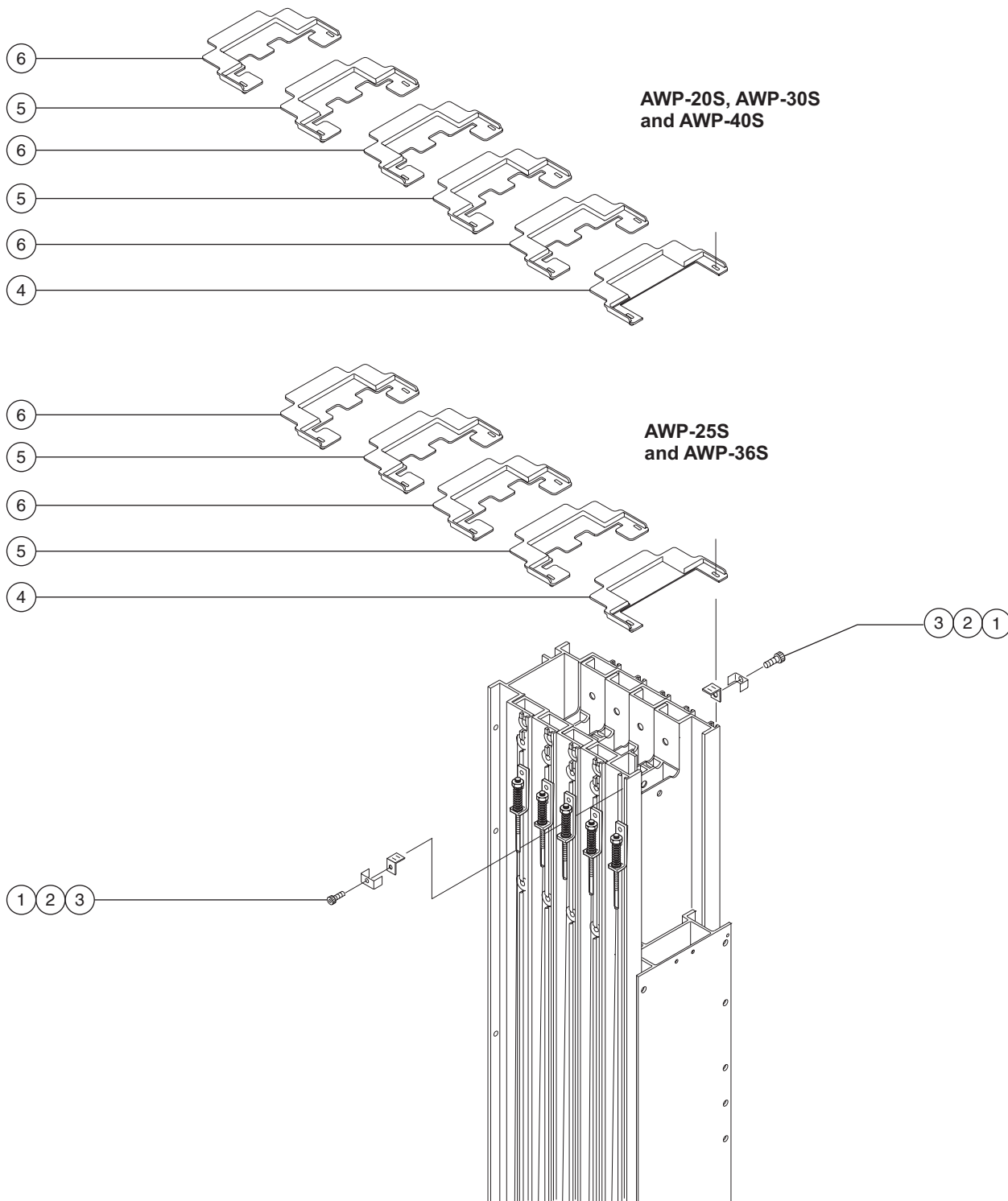
Figure 309.1 **Rev** A **Description** Sequencing Cables Assembly



Item	Part No.	Description	Qty.	Item	Part No.	Description	Qty.
1	6090	Screw - HHC, 1/4 -20 x 0.75 inch, GR 5		11	40314	Sequencing Cable Assembly, Carriage (includes item 3)	
2	6091	Nylock Nut, 1/4 -20 AWP-20S 5 AWP-25S and AWP-36S 6 AWP-30S and AWP-40S 7		—	69223	AWP-30S 1	
3	35734	Carriage Sequencing Bracket 1		—	69224	AWP-36S and AWP-40S 1	
4	44895	Spacer, 1/4 x 3/8 inch AWP-20S 3 AWP-25S and AWP-36S 4 AWP-30S and AWP-40S 5		—	69225	Sequencing Cable Assembly, Carriage (includes item 5) AWP-36S and AWP-40S 2	
5	35730	Lower Sequencing Bracket AWP-20S 3 AWP-25S and AWP-36S 4 AWP-30S and AWP-40S 5		—	40315	Sequencing Cable Assembly, Number 1 Column (includes item 5) AWP-36S and AWP-40S 1	
6	38979	Screw - PHPM, 1/4 -20 x 0.5 inch, GR 2 AWP-20S 15 AWP-25S and 36S 20 AWP-30S and 40S 25		12	57147	Upper Sequencing Bracket AWP-20S 3 AWP-25S and AWP-36S 4 AWP-30S and AWP-40S 5	
7	35991	Weld Nut, 1/4 -20 AWP-20S 18 AWP-25S and AWP-36S 24 AWP-30S and AWP-40S 30		13	38234	Flange Bushing, 0.25 x 0.375 inch AWP-20S 6 AWP-25S and AWP-36S 8 AWP-30S and AWP-40S 10	
8	41077	Screw - SHC, 1/4 -20 x 0.875 inch AWP-20S 3 AWP-25S and AWP-36S 4 AWP-30S and AWP-40S 5		14	8849	Novon Spring AWP-20S 3 AWP-25S and AWP-36S 4 AWP-30S and AWP-40S 5	
9	12906	Fender Washer, 0.25 x 1.25 x 0.062 inches, AWP-20S 6 AWP-25S and AWP-30S 8 AWP-30S and AWP-40S 10					
10	35733	Sequencing Pulley AWP-20S 3 AWP-25S and AWP-36S 4 AWP-30S and AWP-40S 5					
11	40313	Sequencing Cable Assembly (includes item 5) AWP-20S 2 AWP-25S 3 AWP-30S 4					



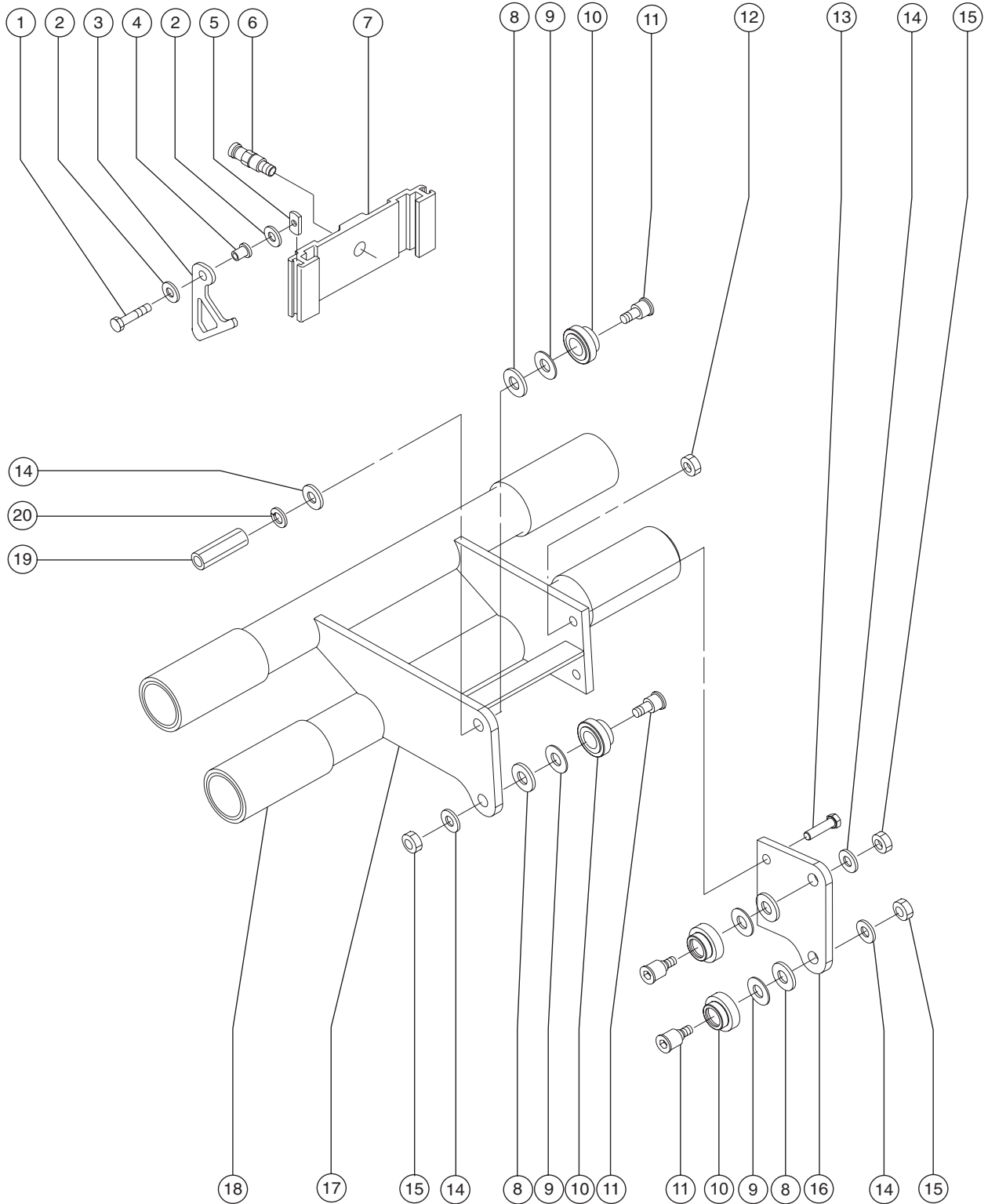
Figure 310.1
Rev A
Description Mast Covers



Item	Part No.	Description	Qty.
1	40004	Screw - SHC, 1/4 -20 x 0.375 inch AWP-20S 8 AWP-25S and AWP-36S 10 AWP-30S and AWP-40S 12	
2	41055	T-Slot Washer AWP-20S 8 AWP-25S and AWP-36S 10 AWP-30S and AWP-40S 12	
3	38730	Weld Nut, 1/4 -20, Angle AWP-20S 8 AWP-25S and AWP-36S 10 AWP-30S and AWP-40S 12	
AWP-20S			
4	38315	Carriage Cover, Number 4 Column 1	
6	38314	Mast Cover, Number 3 Column 1	
5	35786	Mast Cover, Number 2 Column 1	
6	38314	Mast Cover, Number 1 Column 1	
AWP-25S and AWP-36S			
4	38315	Carriage Cover, Number 5 Column 1	
5	35786	Mast Cover, Number 4 Column 1	
6	38314	Mast Cover, Number 3 Column 1	
5	35786	Mast Cover, Number 2 Column 1	
6	38314	Mast Cover, Number 1 Column 1	
AWP-30S and AWP-40S			
4	38315	Carriage Cover, Number 6 Column 1	
6	38314	Mast Cover, Number 5 Column 1	
5	35786	Mast Cover, Number 4 Column 1	
6	38314	Mast Cover, Number 3 Column 1	
5	35786	Mast Cover, Number 2 Column 1	
5	38314	Mast Cover, Number 1 Column 1	



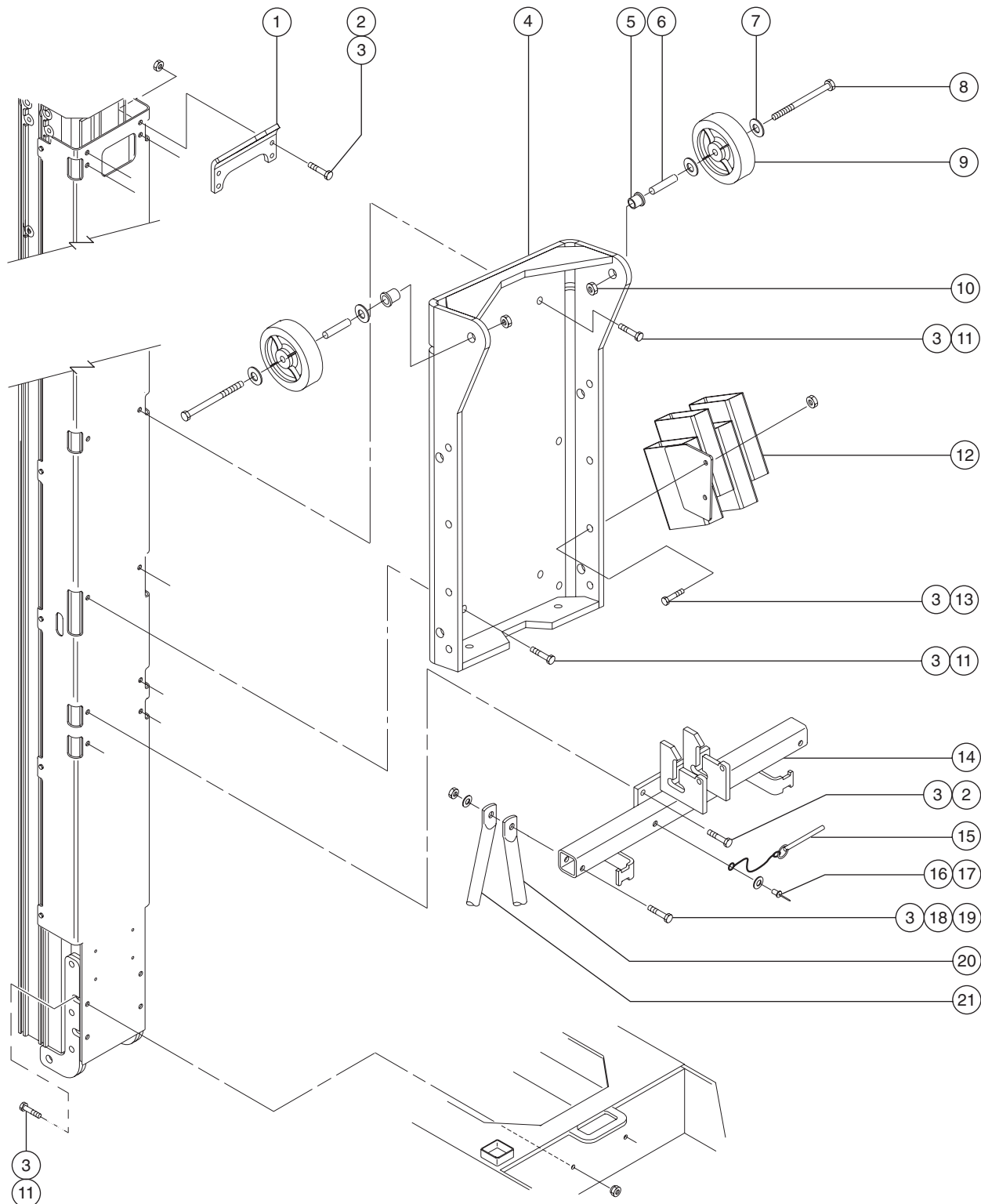
Figure 311.1
Rev A
Description Loading Pivot Assembly



Item	Part No.	Description	Qty.
1	6090	Screw - HHC, 1/4 -20 x 0.75 inch, GR 5	
2	6638	Flat Washer, 1/4 inch	
3	100944	Pivot Stop Retainer Hook	1
4	35732	Tube Spacer, 1/4 x 3/8 inch	1
5	35991	Weld Nut, 1/4 -20	1
6	35830	Snap Pin Kit	1
7	100943	Pivot Slider Stop	1
8	6052	Shim Washer, 0.5 x 0.875 x 0.063 inch	
9	6563	Shim Washer, 0.75 x 1.125 x 0.03 inch	
10	38347	Loading Roller	4
11	38975	Roller Bolt	4
12	6091	Nylock Nut, 1/4 -20	
13	6888	Screw - HHC, 1/4 -20 x 1 inch, GR 5	
14	5397	Flat Washer, 5/16 inch	
15	7713	Low Profile Nylock Nut, 3/8 -16	
16	100947	Load Pivot Plate, Right Rear, Narrow Base	1
—	100939	Load Pivot Plate, Right Rear, Standard Base	
17	107431	Pivot Slider Assembly with Decal, Standard Base	1
—	107432	Pivot Slider Assembly with Decal, Narrow Base	
18	27769	Bumper, Narrow Base	4
		Standard Base	2
19	38037	Coupling Nut, 3/8 -16 x 1 inch	
20	6021	Lock Washer, 3/8 inch	



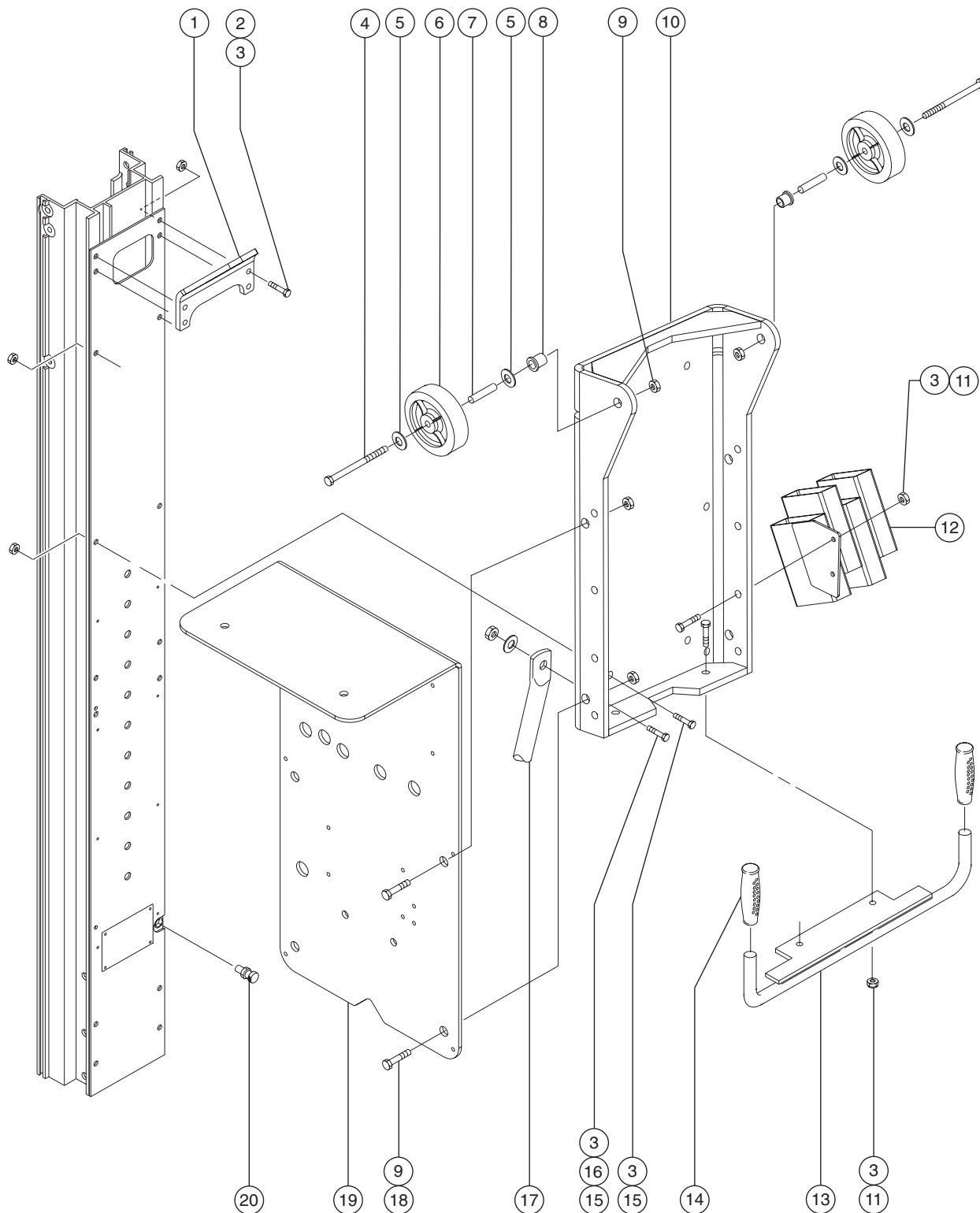
Figure 312.1 **Rev** B **Description** Number 1 Column Attached Parts, Standard Base with Tilt-back Frame



Item	Part No.	Description	Qty.	Item	Part No.	Description	Qty.
1	107023	Lifting Eye Plate Assembly with Decal (AWP-36S and AWP-40S)	1	20	38342-S	Mast Brace - Left Side (AWP-36S and AWP-40S) 28.5 inches (before serial number AWP06-51505)	1
—	107469	Lifting Eye Plate Assembly with Decal (AWP-20S, AWP-25S and AWP-30S)		—	38344-S	Mast Brace - Left Side (AWP-36S and AWP-40S) 28.12 inches (after serial number AWP06-51504)	1
2	8516	Screw - HHC, 3/8 -16 x 1.5 inches, GR 5		—	32425-S	Mast Brace - Left Side (AWP-20S, AWP-25S and AWP-30S) 40.25 inches (before serial number AWP06-51505)	
3	4828	Nylock Nut, 3/8 -16		—	38340-S	Mast Brace - Left Side, (AWP-20S, AWP-25S, AWP-30S, AWP-36S and AWP-40S) 41.13 inches (after serial number AWP06-51504)	
4	100895	Mast Mount Plate, Standard Base	1				
5	100902	Spacer Tube, 0.5 ID x 0.5 inch	2				
6	37202	Bushing, 6 x 2 Wheel	2				
7	6095	Flat Washer, 1/2 inch					
8	13854	Screw - HHC, 1/2 -13 x 4.5 inches, GR 8	2	21	38343-S	Mast Brace - Right Side (AWP-36S and AWP-40S) 28.5 inches (before serial number AWP06-51505)	1
9	57788	Wheel, Poly, 6 x 2 inches	2	—	38345-S	Mast Brace - Right Side (AWP-36S and AWP-40S) 28.12 inches (after serial number AWP06-51504)	1
10	6198	Nylock Nut, 1/2 -13		—	32424-S	Mast Brace - Right Side (AWP-20S, AWP-25S and AWP-30S) 40.25 inches (before serial number AWP06-51505)	
11	6019	Screw - HHC, 3/8 -16 x 1.25 inches, GR 5		—	38341-S	Mast Brace - Right Side (AWP-20S, AWP-25S, AWP-30S, AWP-36S and AWP-40S) 41.13 inches (before serial number AWP06-51504)	
12	Ref.	Outrigger Storage Bracket Assembly (refer to 316.1)					
13	6175	Screw - HHC, 3/8 -16 x 1 inch, GR 5					
14	38196	Battery Pack Hanger Assembly with Word Decals (AWP-36S and AWP-40S) (includes items 11-13)	1				
—	43052	Battery Pack Hanger Assembly with Word Decals (AWP-20S, AWP-25S and AWP-30S) (includes items 11-13)					
—	107381	Battery Pack Hanger Assembly (AWP-20S, AWP-25S and AWP-30S) (includes items 11-13)					
15	8525	Retainer Pin Assembly	1				
16	6271	Steel Rivet, 0.25 x 0.25 inch	1				
17	6638	Flat Washer, 1/4 inch	1				
18	6097	Flat Washer, 3/8 inch					
19	14033	Screw - HHC, 3/8 -16 x 2.75 inches, GR 5					



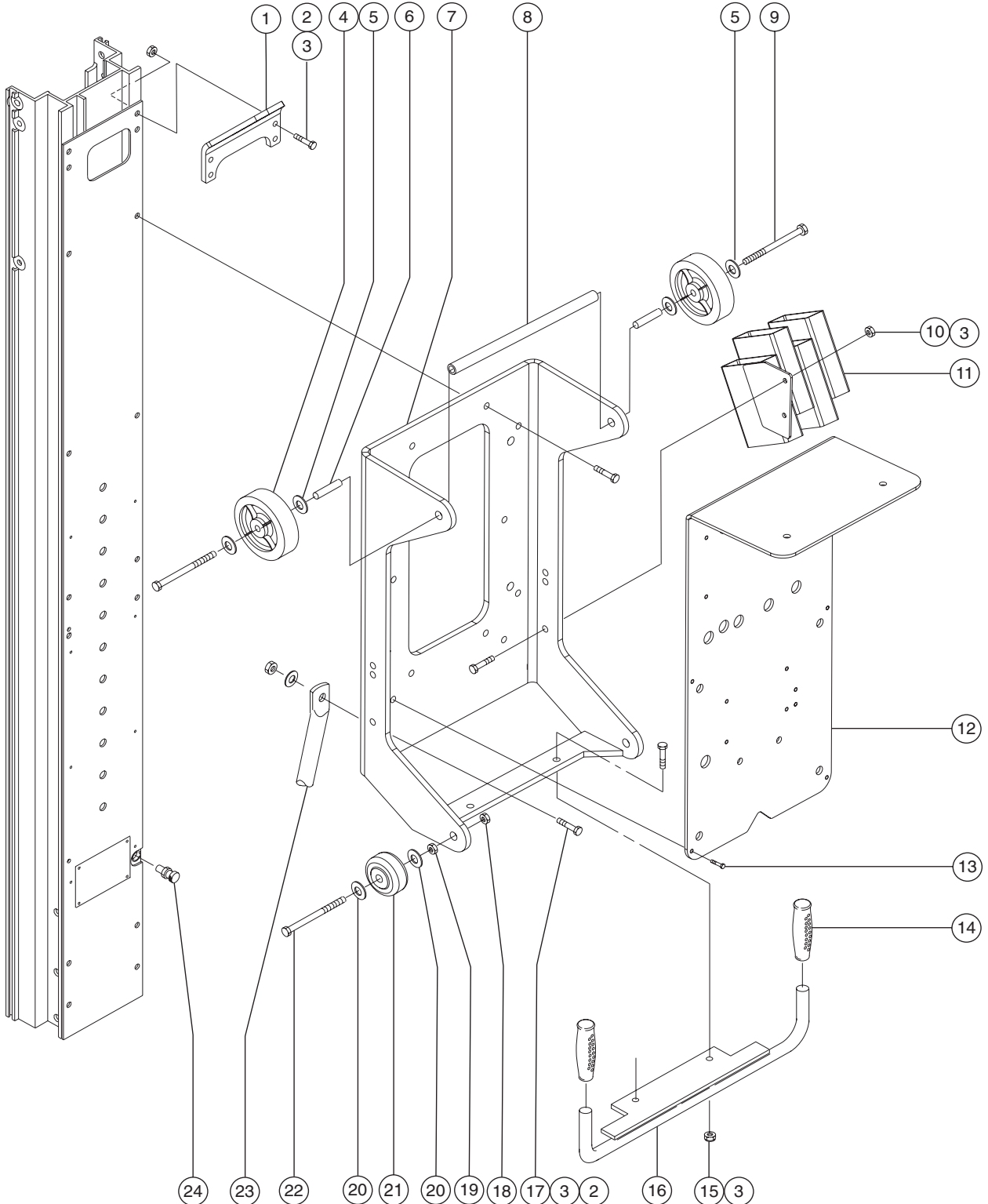
Figure 313.1 **Rev** A **Description** Number 1 Column Attached Parts, Standard Base Model



Item	Part No.	Description	Qty.
1	107023	Lifting Eye Plate Assembly with Decal (AWP-36S and AWP-40S)	1
—	107469	Lifting Eye Plate Assembly with Decal (AWP-20S, AWP-25S and AWP-30S)	
2	8516	Screw - HHC, 3/8 -16 x 1.5 inches, GR 5	
3	4828	Nylock Nut, 3/8 -16	
4	13854	Screw - HHC, 1/2 -13 x 4.5 inches, GR 8	2
5	6095	Flat Washer, 1/2 inch	
6	57788	Wheel, Poly, 6 x 2 inches	2
7	37202	Bushing, 6 x 2 Wheel	2
8	100902	Spacer Tube, 0.5 ID x 0.5 inch	2
9	6198	Nylock Nut, 1/2 -13	
10	100895	Mast Mount Plate, Standard Base	1
11	6175	Screw - HHC, 3/8 -16 x 1 inch, GR 5	
12	Ref.	Outrigger Storage Bracket (refer to 316.1)	
13	38040	Battery Box Hanger	1
14	6587	Rubber Grip	2
15	6019	Screw - HHC, 3/8 -16 x 1.25 inches, GR 5	
16	6097	Flat Washer, 3/8 inch	
17	32425-S	Left Side Mast Brace, AWP-20S, AWP-25S and AWP-30S 40.25 inches	1
—	32424-S	Right Side Mast Brace, AWP-20S, AWP-25S and AWP-30S 40.25 inches (not shown)	
18	51496	Screw - HHC, 1/2 -13 x 1.375 inches, GR 8	2
19	100893	Power Unit Mount Plate	1
20	33674	Snap Pin, 0.375 x 0.25 inch	1



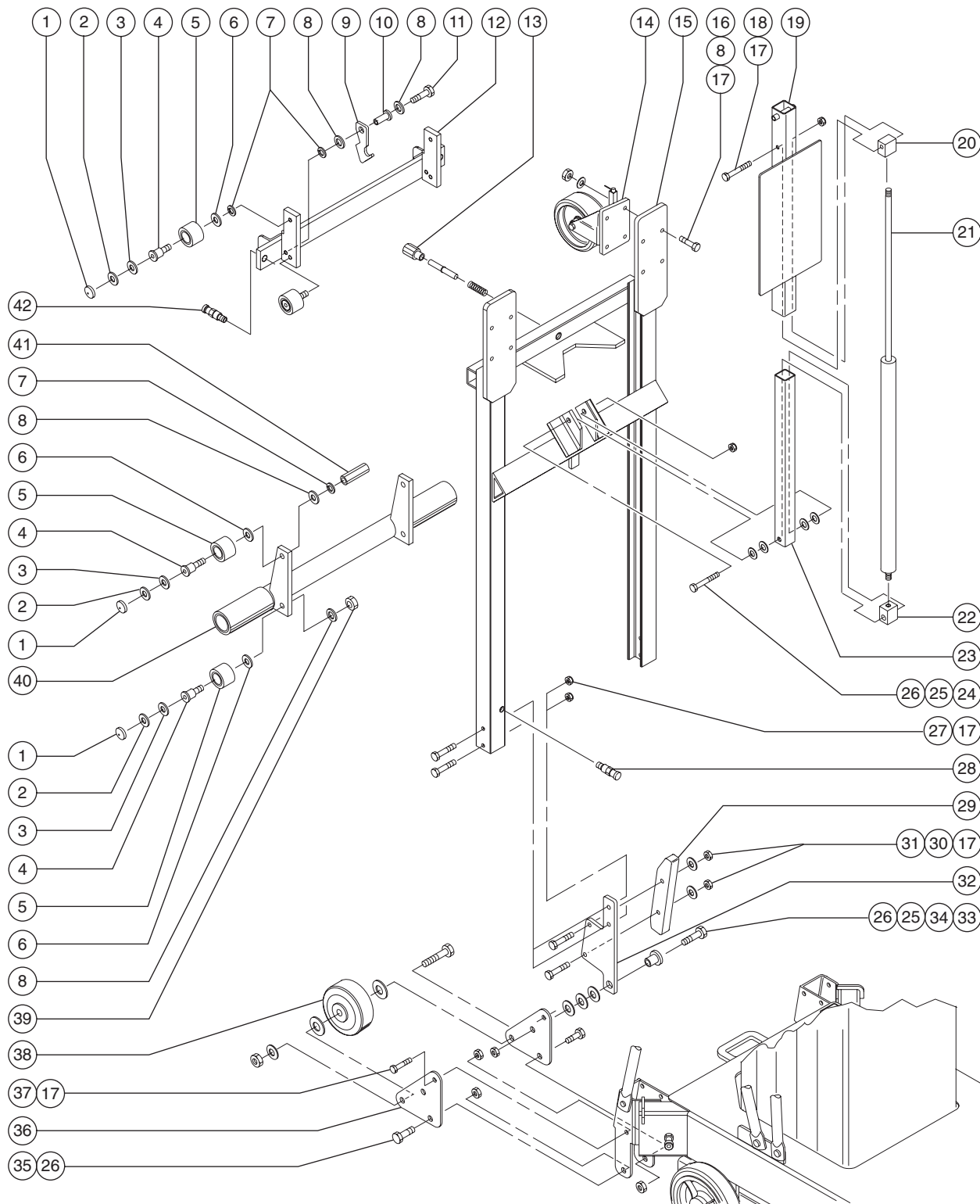
Figure 314.1 **Rev** A **Description** Number 1 Column Attached Parts, Narrow or Rough Terrain Base Model



Item	Part No.	Description	Qty.	Item	Part No.	Description	Qty.
1	107023	Lifting Eye Plate Assembly with Decal (AWP-36S and AWP-40S)	1	23	32425-S	Left Side Mast Brace, AWP-20S, AWP-25S and AWP-30S, 40.25 inches	1
—	107469	Lifting Eye Plate Assembly with Decal (AWP-20S, AWP-25S and AWP-30S)		—	32424-S	Right Side Mast Brace, AWP-20S, AWP-25S and AWP-30S, 40.25 inches (not shown)	
2	8516	Screw - HHC, 3/8 -16 x 1.5 inches, GR 5		24	33674	Snap Pin, 0.375 x 0.25 inch	1
3	4828	Nylock Nut, 3/8 -16					
4	57788	Wheel, Poly, 6 x 2 inches	2				
5	6564	Shim Washer , 0.765 x 1.312 x .093 inch					
6	37202	Bushing, 6 x 2 Wheel	2				
7	100896	Mast Mount Plate, Narrow Base	1				
8	38724	Coupler Tube, 13.62 inches	1				
9	8220	Screw - HHC, 1/2 -13 x 4 inches, GR 5					
10	6019	Screw - HHC, 3/8 -16 x 1.25 inches, GR 5					
11	Ref.	Outrigger Storage Bracket, Right Side (refer to 316.1)					
12	100893	Power Unit Mount Plate	1				
13	43136	Screw - PHM, 1/4 -20 x 0.625 inch, GR 5					
14	6587	Handle Grip, Rubber, 0.75 x 4.5 inches					
15	6175	Screw - HHC, 3/8 -16 x 1 inch, GR 5					
16	38040	Battery Box Hanger	1				
17	6097	Flat Washer, 3/8 inch					
18	6198	Nylock Nut, 1/2 -13					
19	6034	Hex Jam Nut, 1/2-13					
20	6095	Flat Washer, 1/2 inch					
21	57781	Polyolefin Wheel, 2.5 x 1.23 x 1/2 inch	2				
22	8357	Screw - HHC, 1/2-13 x 3.5 inches, GR 5					



Figure 315.1
Rev A
Description Tilt-back Frame Assembly



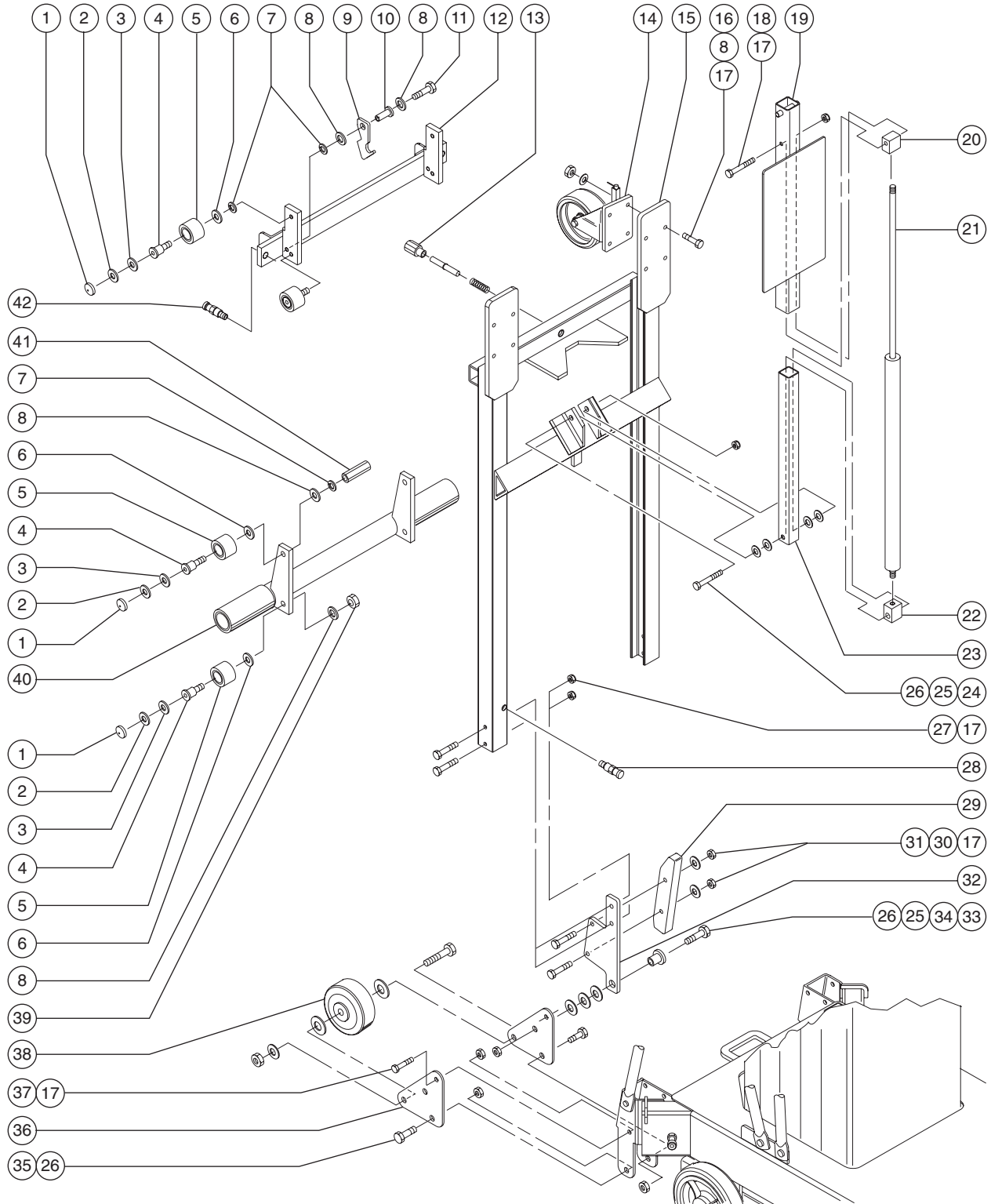
315.1
Tilt-back Frame Assembly Rev A

Item	Part No.	Description	Qty.	Item	Part No.	Description	Qty.
—	40274	Tilt-back Shock Absorber Assembly with Word Decals, AWP-36S (includes items 19-28 and decal plate with decal)		16	8516	Screw - HHC, 3/8 -16 x 1.5 inches, GR 5	
—	40275	Tilt-back Shock Absorber Assembly with Word Decals, AWP-40S (includes items 19-28 and decal plate with decal)		17	4828	Nylock Nut, 3/8 -16	
—	43058	Tilt-back Shock Absorber Assembly with Word Decals, AWP-20S (includes items 19-28)		18	8178	Screw - HHC, 3/8 -16 x 2.5 inches, GR 5	
—	43059	Tilt-back Shock Absorber Assembly with Word Decals, AWP-25S and AWP-30S (includes items 19-28)		19	40506	Upper Tube with Decals, AWP-36S and AWP-40S 1	
—	43056	Tilt-back Enhancement Kit, AWP-25S and AWP-30S		—	41033	Upper Tube, AWP-20S, AWP-25S and AWP-30S	
1	21279	Nylatron Button	8	20	38324	Shock Mount Block, Upper	1
2	21441	Shim, 0.45 x 0.75 x 0.016 inch	4	21	38990	Gas Shock, AWP-36S	1
3	21442	Shim, 0.45 x 0.75 x 0.03 inch	4	—	38322	Gas Shock, AWP-40S	
4	21437	Roller Bolt	8	—	41053	Gas Shock, AWP-20S	
5	21278	Nylatron Roller	8	—	41054	Gas Shock, AWP-25S and AWP-30S	
6	8519	Shim Washer, 0.5 x 0.875 x 0.023 inch	8	22	38323	Shock Mount Block, Lower	1
7	6021	Lock Washer , 3/8 inch		23	38318Z-S	Lower Tube, AWP-36S and AWP-40S	1
8	5397	Flat Washer , 5/16 inch		24	6732	Screw - HHC, 1/2 -13 x 3.25 inches, GR 5	
9	24697-S	Pivot Retainer Hook	1	25	6564	Shim Washer, 0.75 x 1.125 x 0.093 inch	14
10	33720	Flange Bushing, 3/8 inch	1	—	6563	Shim Washer, 0.75 x 1.125 x 0.03 inch	
11	32317	Screw - HHC, 3/8 -24 x 1 inch, GR 8	1	26	6198	Nylock Nut, 1/2 -13	
12	40276	Pivot Stop Bracket Assembly with Decal	1	27	6708	Screw - HHC, 3/8 -16 x 2.25 inches, GR 5	
13	25087	Tiltback Spring Assembly	1	28	6825	Lock Pin Assembly	1
—	25085	Spring Housing		29	27415	Glide Block	2
—	25086	Plunger		30	6097	Washer - Flat, 3/8 inch	
—	25084	Spring		31	5224	Screw - HHC, 3/8 -16 x 2 inches, GR 5	
14	57733	Caster, 5 x 2 inches	2	32	37681-S	Tilt-back Hinge Plate	2
15	38195	Tilt-back Frame with Decals, AWP-36S and AWP-40S	1	33	9145	Screw - HHC, 1/2 -13 x 2.5 inches, GR 5	
—	43054	Tilt-back Frame with Decals, AWP-20S, AWP-25S and AWP-30S		34	32834	Bronze Bushing, 0.5 x 0.75 inch	2

This list continues on the next page.



Figure 315.1 **Rev** A **Description** Tilt-back Frame Assembly



Item	Part No.	Description	Qty.
35	10597	Screw - HHC, 1/2 -13 x 1.25 inches, GR 5	
36	37687-S	Base Plate Attachment, Tilt-back Wheels 4	4
37	6019	Screw - HHC, 3/8 -16 x 1.25 inches, GR 5	
38	57785	Rear Wheel, 5 x 2 inches (includes mounting fasteners) 2	2
39	5408	Low Profile Nylock Nut, 3/8 -24 3	3
40	32925	Pivot Slider with Rubber Bumper 1	1
—	27769	Rubber Bumper	
—	6271	Steel Rivet , 0.25 x 0.25 inch	
41	6180	Coupler Nut, 3/8 -24 x 1 inch 1	1
42	35830	Snap Pin Kit 2	2



Figure	Rev	Description
316.1	A	Outrigger Storage Bracket Assembly Cross Reference

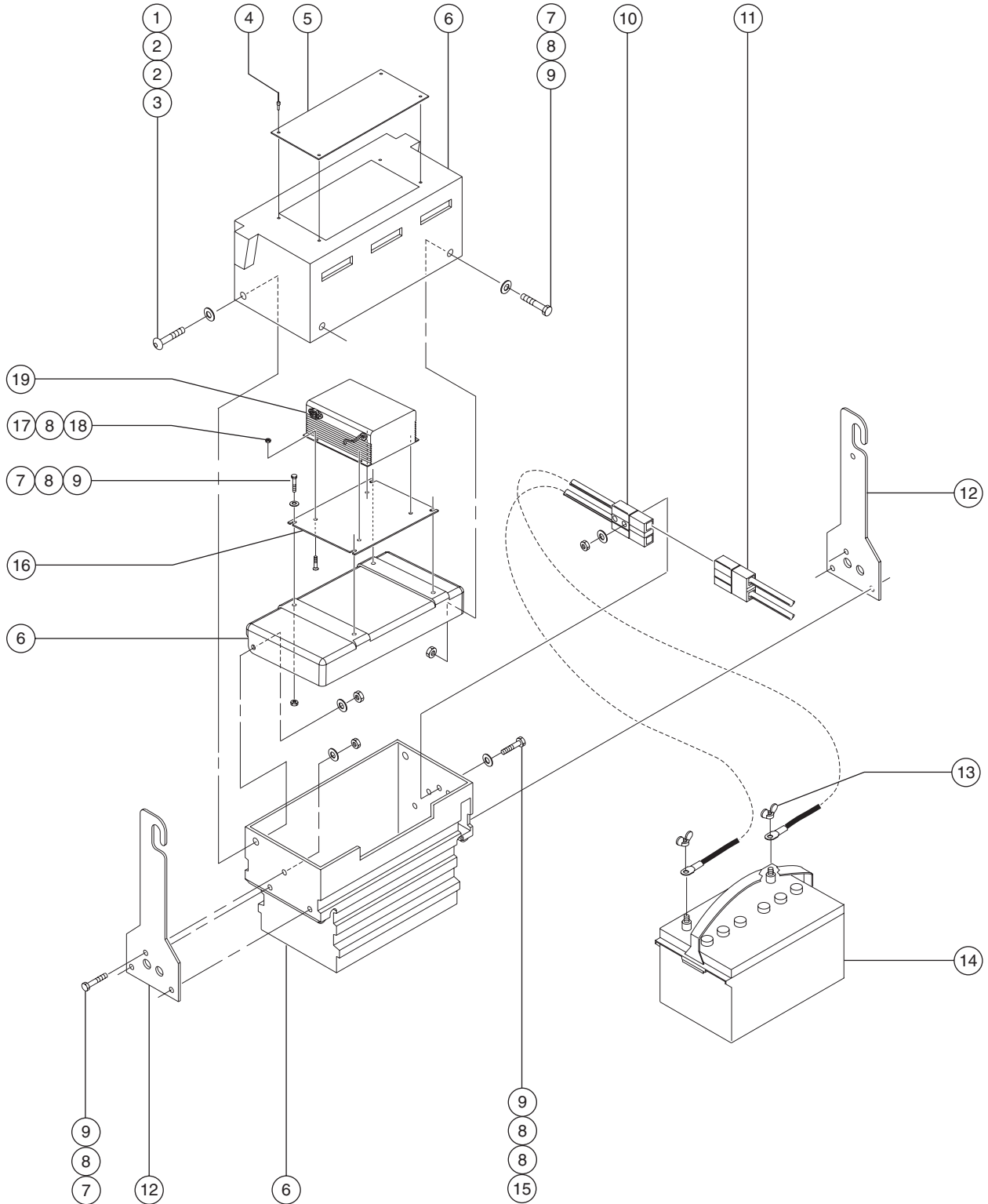
Standard Base

Applicable Standard / Region	AWP-20S (AC or DC)	AWP-25S (AC or DC)	AWP-30S (AC or DC)	AWP-30S (Air)	AWP-36S (AC or DC)	AWP-40S (AC or DC)
ANSI and CSA (USA, Asia, South America and Canada)						
Outrigger Storage Bracket Assembly (refer to 313.1)	107425	107425	107425	107425	107425	107425
CE (Europe) Indoor						
Outrigger Storage Bracket Assembly (refer to 313.1)	107425	107425	107426	107426	107425	107425
CE (Europe) Outdoor						
Outrigger Storage Bracket Assembly (refer to 313.1)	107425	107425	107426	107426	107425	107425

Narrow Base or Rough Terrain Base

Applicable Standard / Region	AWP-20S (AC or DC)	AWP-25S (AC or DC)	AWP-30S (AC or DC)	AWP-30S (Air)
ANSI and CSA (USA, Asia, South America and Canada)				
Outrigger Storage Bracket Assembly, Right side (figure 314.1)	107427	107427	107427	107427
Outrigger Storage Bracket Assembly, Left side (refer to 314.1)	107429	107429	107429	107429
CE (European) Indoor				
Outrigger Storage Bracket Assembly, Right side (figure 314.1)	107427	107427	107428	107428
Outrigger Storage Bracket Assembly, Left side (refer to 314.1)	107429	107429	107430	107430
CE (European) Outdoor				
Outrigger Storage Bracket Assembly, Right side (figure 314.1)	107427	107427	107428	107428
Outrigger Storage Bracket Assembly, Left side (refer to 314.1)	107429	107429	107430	107430

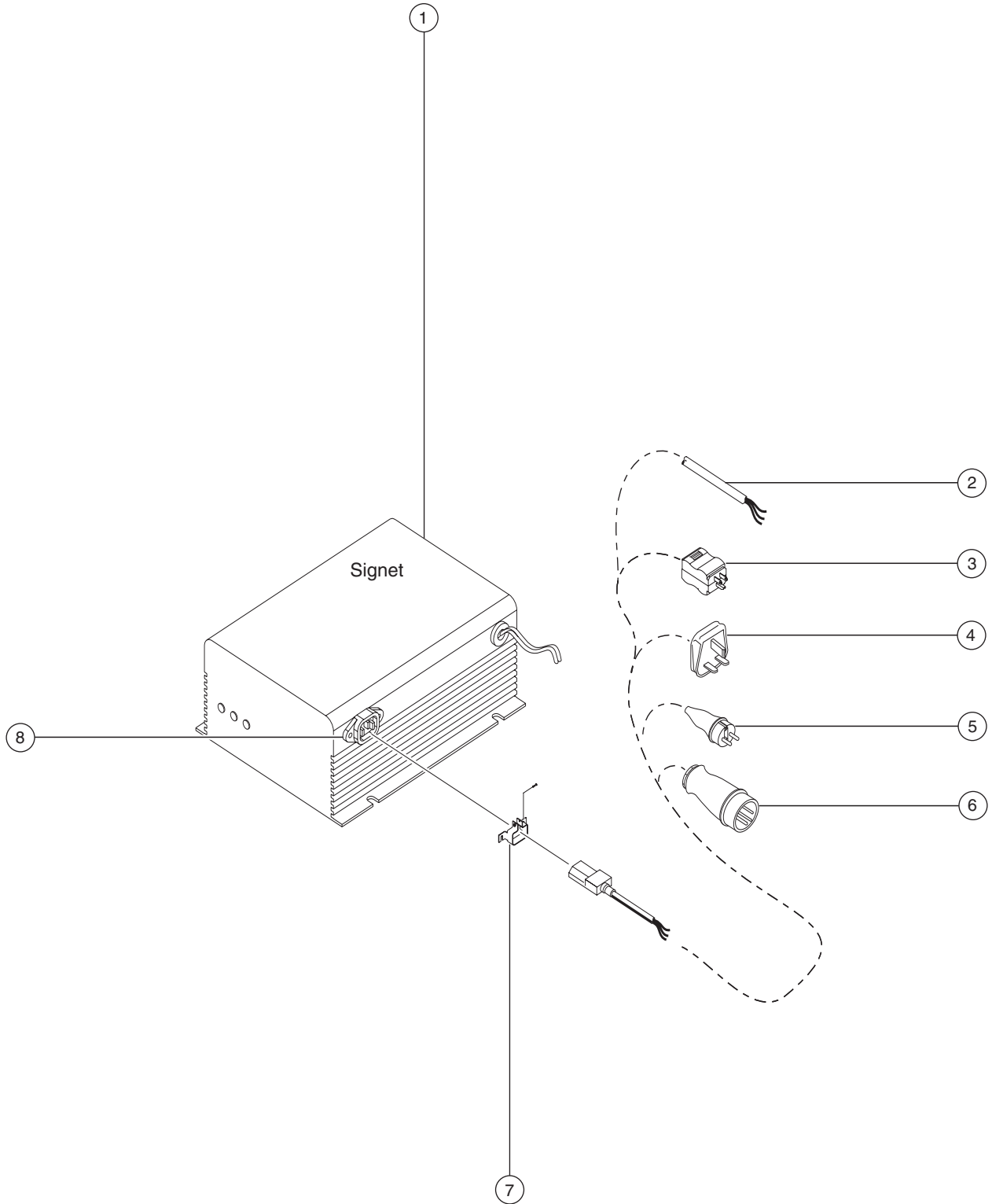
Figure 401.1
Rev A
Description Battery Pack Assembly, DC Models



Item	Part No.	Description	Qty.	Item	Part No.	Description	Qty.
—	85423	Battery Pack Assembly, with Battery (Instructions included)		18	17626	Screw - FHPM, 10-32 x 0.75 inch	
—	85424	Battery Pack Assembly, without Battery		19	Ref.	Battery Charger (refer to 402.1)	
1	28487	Screw - BHSC, 3/8 -16 x 1 inch					
2	5397	Flat Washer, 5/16 inch					
3	7713	Low Profile Nylock Nut, 3/8 -16					
4	8920	Aluminum Rivet, 5/32 inch					
5	107470	Battery Plate Assembly with Decal	1				
6	107471	Battery Box Assembly with Decals	1				
7	6090	Screw - HHC, 1/4 -20 x 0.75 inch, GR 5					
8	6638	Flat Washer, 1/4 inch					
9	6889	Nylock Nut, 1/4 -20					
10	38212	Cable Assembly (clamp terminal post)	1				
—	18189	Terminal Protector					
10	69228	Cable Assembly (threaded terminal post)					
—	8910	Terminal Protector					
11	38213	Power Cable Assembly - DC Hydraulic Power Unit	1				
12	40301	Battery Pack Hanger with Word Decals (USA, Australia and Canada)	2				
—	33245P	Battery Pack Hanger with Symbol Decals (Asia, South America and Europe)					
13	69229	Wing Nut, 5/16 -18					
—	69230	Wing Nut, 3/8 -16					
14	57159	Battery, 12V GRP 27,105 AH	1				
15	6145	Screw - HHC, 1/4 -20 x 1.5 inches, GR 5					
16	80989	Charger Mount Plate	1				
17	15513	Hex Nut, 10-32					



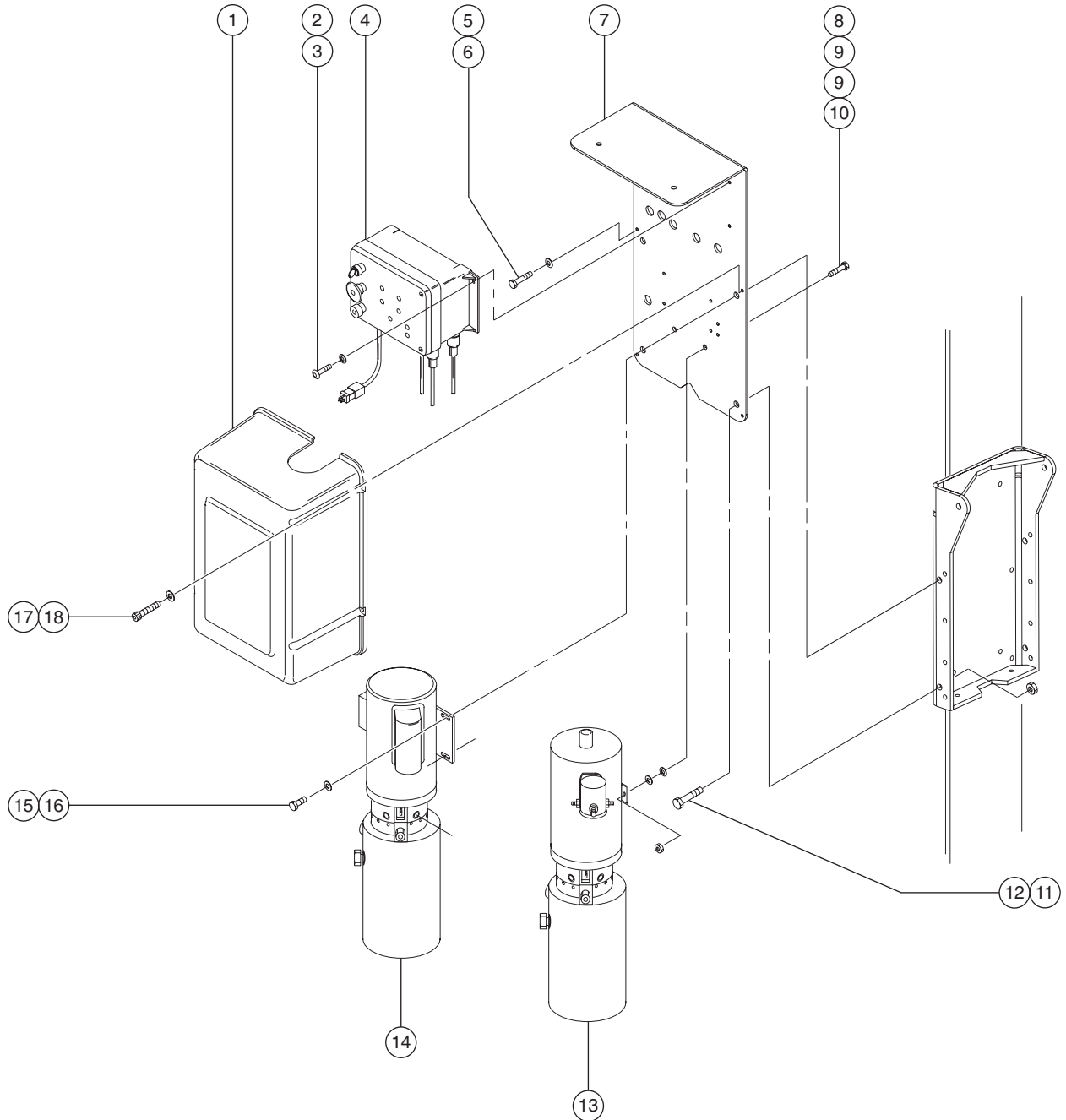
Figure 402.1 **Rev** A **Description** Battery Charger, Worldwide, Signet Model



Item	Part No.	Description	Qty.
1	80990	Battery Charger - Sealed, 110/220V AC (power cord not included)	1
—	97059	Fuse	
—	80889	Charger Kit	
2	48282	Power Cord, without Plug (79 inches)	1
3	55021	Power Cord Assembly, US, 110V AC Plug (8.25 inches)	1
—	100195	Power Cord, US Assembly, 110V AC Plug (98 inches)	
4	55018	Power Cord Assembly, British 3 Pin, 220V AC Plug (8.25 inches)	1
—	100193	Power Cord Assembly, British 3 Pin, 220V AC Plug (98 inches)	
5	55019	Power Cord Assembly, European 2 Pin, 220V AC Plug (8.25 inches)	1
—	100194	Power Cord Assembly, European 2 Pin, 220V AC Plug (98 inches)	
6	71706	Power Cord Assembly, British 3 Pin, 110V AC Plug (78 inches) (includes item 2)	1
—	12153	Power Cord Plug	
7	55010	Connector Lock	1
8	46440	Connector, IEC 320 Inlet	1
—	46441	Connector Pin, IEC 320	



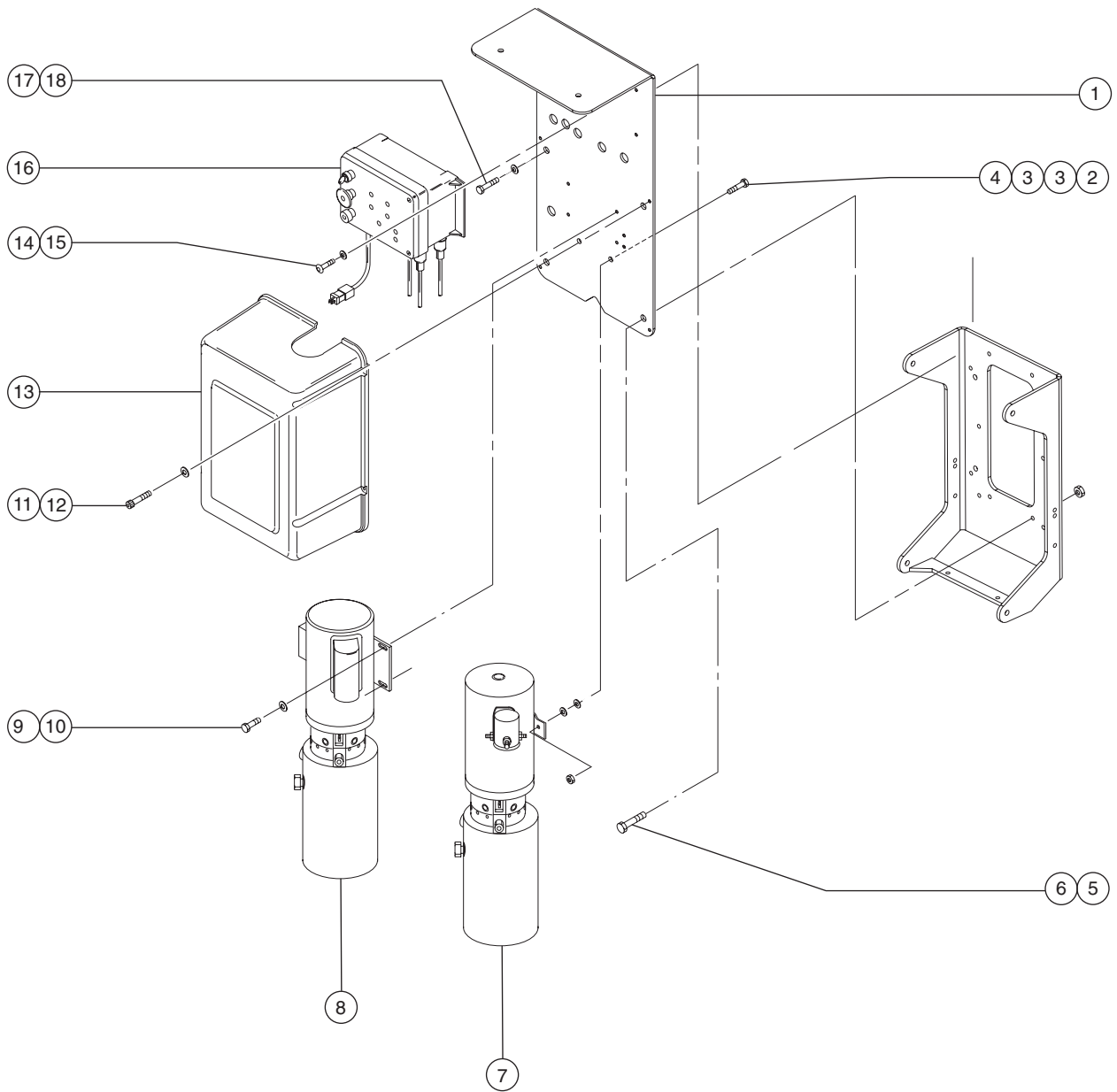
Figure 403.1 **Rev** A **Description** Power Unit Installation, Standard Base, AC and DC Models



Item	Part No.	Description	Qty.	Item	Part No.	Description	Qty.
Power Pack with Word Decals				10	7713	Low Profile Nylock Nut, 3/8 -16	
—	107472	110V AC, 50/60 Hz (includes items 1, 7 and 8)		11	10597	Screw - HHC, 1/2 -13 x 1.25 inches, GR 5	
—	107473	AC Power Unit Kit, 85V AC, 50/60 Hz (includes items 1, 7 and 8)		12	6198	Nylock Nut, 1/2 -13	
—	107474	220V AC, 50/60 Hz (includes items 1, 7 and 8)		13	Ref.	DC Hydraulic Power Unit (refer to figure 602.1)	
—	107475	12V DC (includes items 1, 7 and 8)		14	Ref.	AC Hydraulic Power Unit (refer to figure 603.1)	
Power Pack with Symbol Decals				15	7339	Screw - HHC, 1/4 -20 x 0.5 inch, GR 5	
—	107476	110V AC, 50/60 Hz (includes items 1 to 8 and 17 to 22)		16	6638	Flat Washer, 1/4 inch	
—	107477	85V AC, 50/60 Hz (includes items 1 to 8 and 17 to 22)		17	40004	Screw - SHC, 1/4 -20 x 0.375 inch	
—	107478	220V AC, 50/60 Hz (includes items 1 to 8 and 17 to 22)		18	14295	Flat Washer, 1/2 inch	
—	107479	12V DC Power (includes items 1 to 8 and 17 to 22)					
1	38197	Power Unit Cover Assembly with Word Decals (USA, Australia, Canada models)	1				
—	107024	Power Unit Cover Assembly with Symbol Decals (Asia, South America, Europe models)	1				
2	12011	Screw - BHHS, 1/4 -20 x 0.5 inch					
3	6356	Lock Washer, 1/4 inch					
4	Ref.	Ground Controls (refer to figure 407.1 or 408.1)					
5	33681	Screw - HHC, 3/8 -16 x 0.625 inch, GR 5					
6	6021	Lock Washer, 3/8 inch					
7	100893	Hydraulic Power Unit Mount	1				
8	6175	Screw - HHC, 3/8 -16 x 1 inch, GR 5					
9	5397	Flat Washer, 5/16 inch					



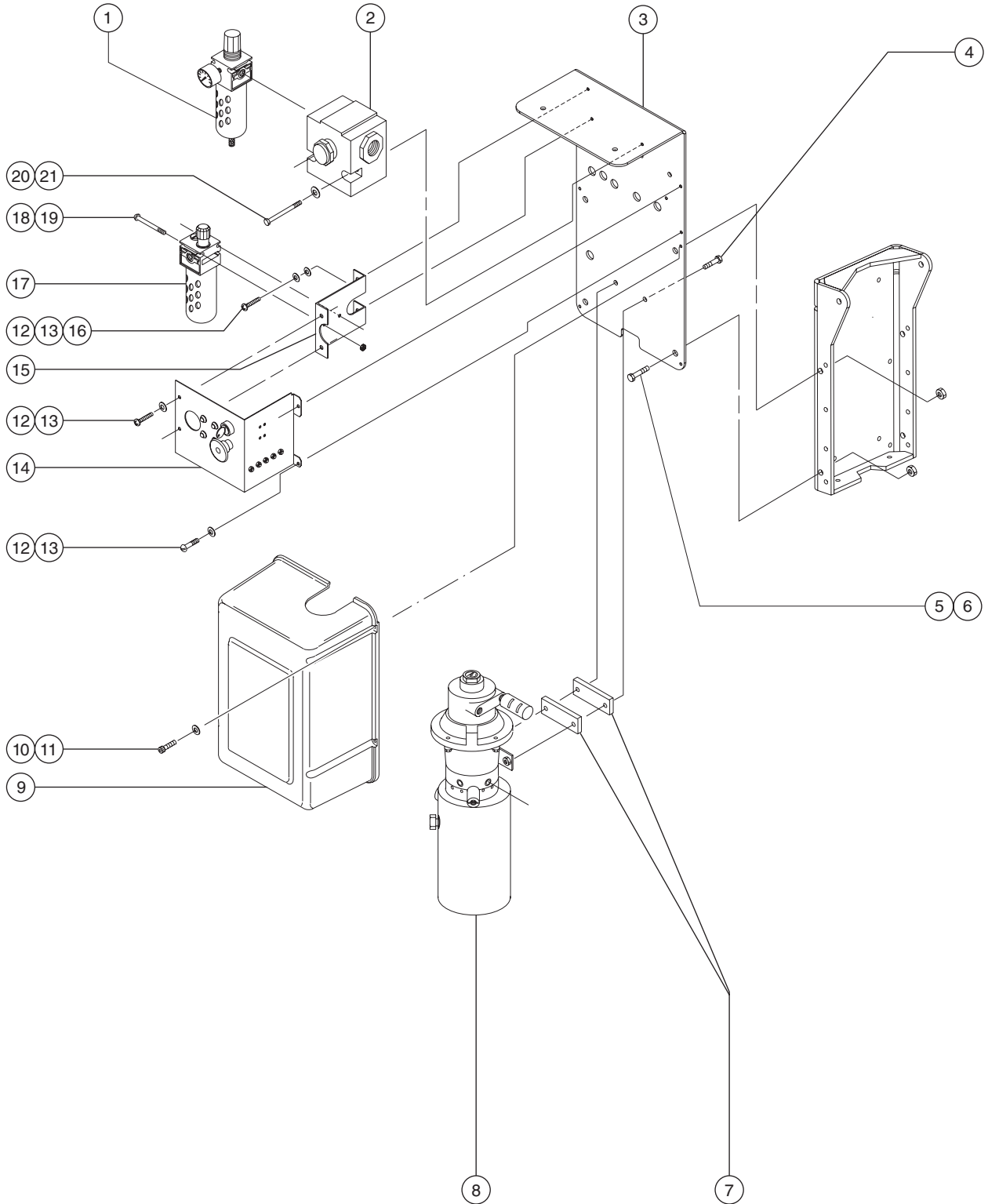
Figure 404.1 **Rev** A **Description** Power Unit Installation, Narrow or Rough Terrain Base, AC and DC Models



Item	Part No.	Description	Qty.
1	100893	Power Unit Mount Plate	1
2	6175	Screw - HHC, 3/8 -16 x 1 inch, GR 5	
3	5397	Flat Washer , 5/16 inch	
4	7713	Low Profile Nylock Nut, 3/8 -16	
5	10597	Screw - HHC, 1/2 -13 x 1.25 inches, GR 5	
6	6198	Nylock Nut, 1/2 -13	
7	Ref.	Hydraulic Power Unit - DC (refer to 602.1)	
8	Ref.	Hydraulic Power Unit - AC (refer to 603.1)	
9	7339	Screw - HHC, 1/4 -20 x 0.5 inch, GR 5	
10	6638	Flat Washer, 1/4 inch	
11	40004	Screw - SHC, 1/4 -20 x 0.38 inch	
12	14295	Shim Washer, 0.264 x 0.5 x 0.032 inch	4
13	107390	Motor Cover with Word Decals	1
—	107024	Motor Cover with Symbol Decals	
14	43136	Screw - PHM, 1/4 -20 x 0.63 inch, GR2	
15	6356	Lock Washer, 1/4 inch	
16	Ref.	Ground Controls (refer to 407.1 or 408.1)	
17	6021	Lock Washer, 3/8 inch	



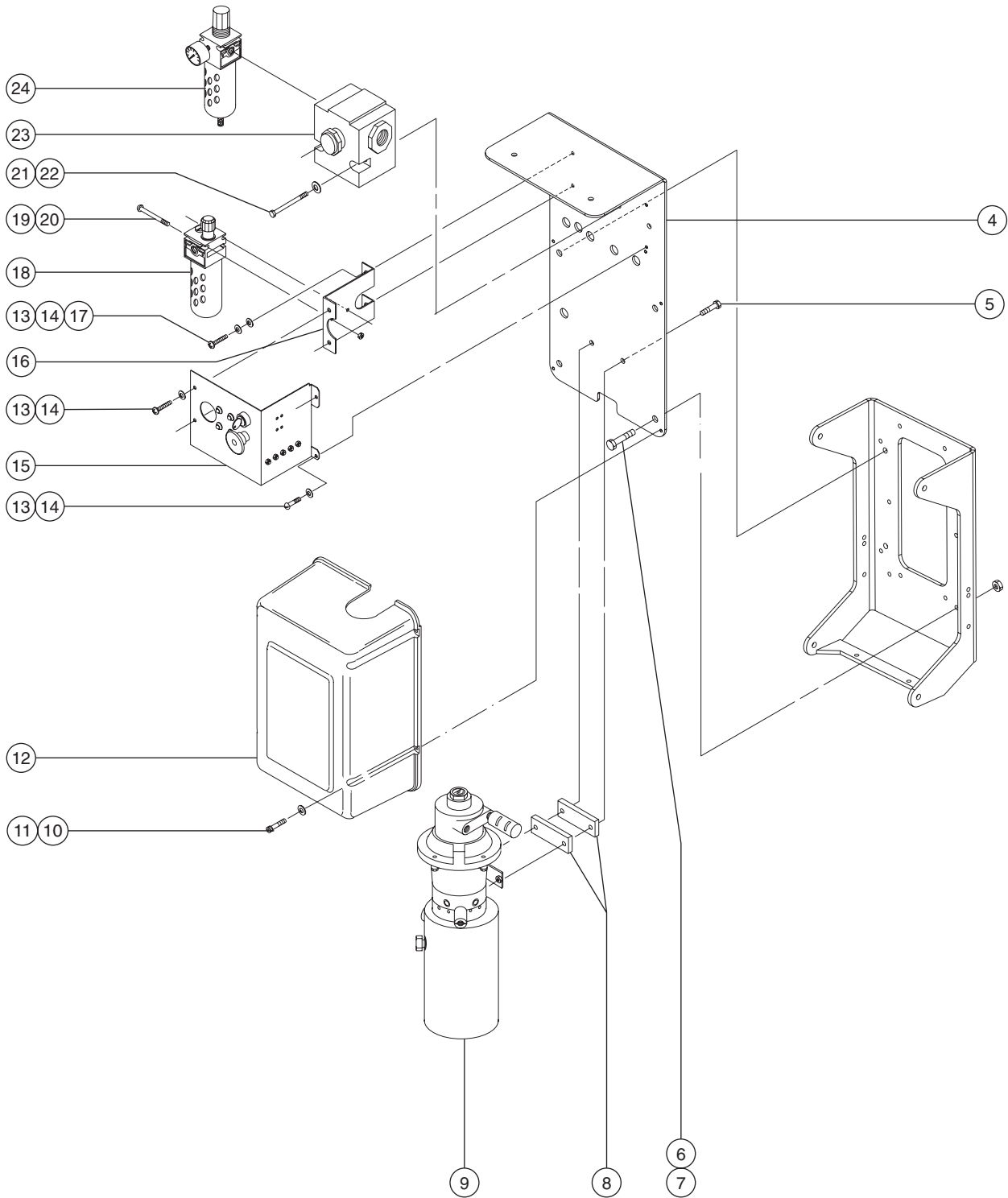
Figure 405.1 **Rev** A **Description** Power Unit Installation, Air Powered Models



Item	Part No.	Description	Qty.
—	41193	Filter Assembly Kit, Air Motor (includes items 1 and 21)	
—	41487	Air Pressure Gauge	
1	69227	Air Filter Regulator	1
2	41192	Air Valve, On/Off	1
3	100894	Power Unit Mount Plate	1
4	10597	Screw - HHC, 1/2 -13 x 1.25 inches, GR 5	
5	51496	Screw, HHC, 1/2 -13 x 1.375	
6	6198	Nylock Nut, 1/2 -13	
7	41198-S	Air Motor Spacer	2
8	Ref.	Hydraulic Power Unit - Air Powered (refer to 604.1)	
9	107390	Motor Cover with Word Decals	1
—	107024	Motor Cover with Symbol Decals	
10	40004	Screw - SHC, 1/4 -20 x 0.38 inch	
11	14295	Washer, Shim, 0.264 x 0.5 x 0.032 inch	
12	38979	Screw - PHM, 1/4 -20 x 0.5 inch, GR 2	
13	6356	Lock Washer, 1/4 inch	
14	Ref.	Ground Controls Panel with Decal (refer to 409.1)	
15	41038-S	Lubricator Mount Bracket	1
16	6638	Flat Washer, 1/4 inch	
17	41534	Lubricator	1
18	41488	Screw - RHM, 10-32 x 2 inches	
19	6178	Nylock Nut, 10-32	
20	41489	Screw - SHC, 5/16 -18 x 2 inches	
21	6886	Lock Washer, 5/16 inch	



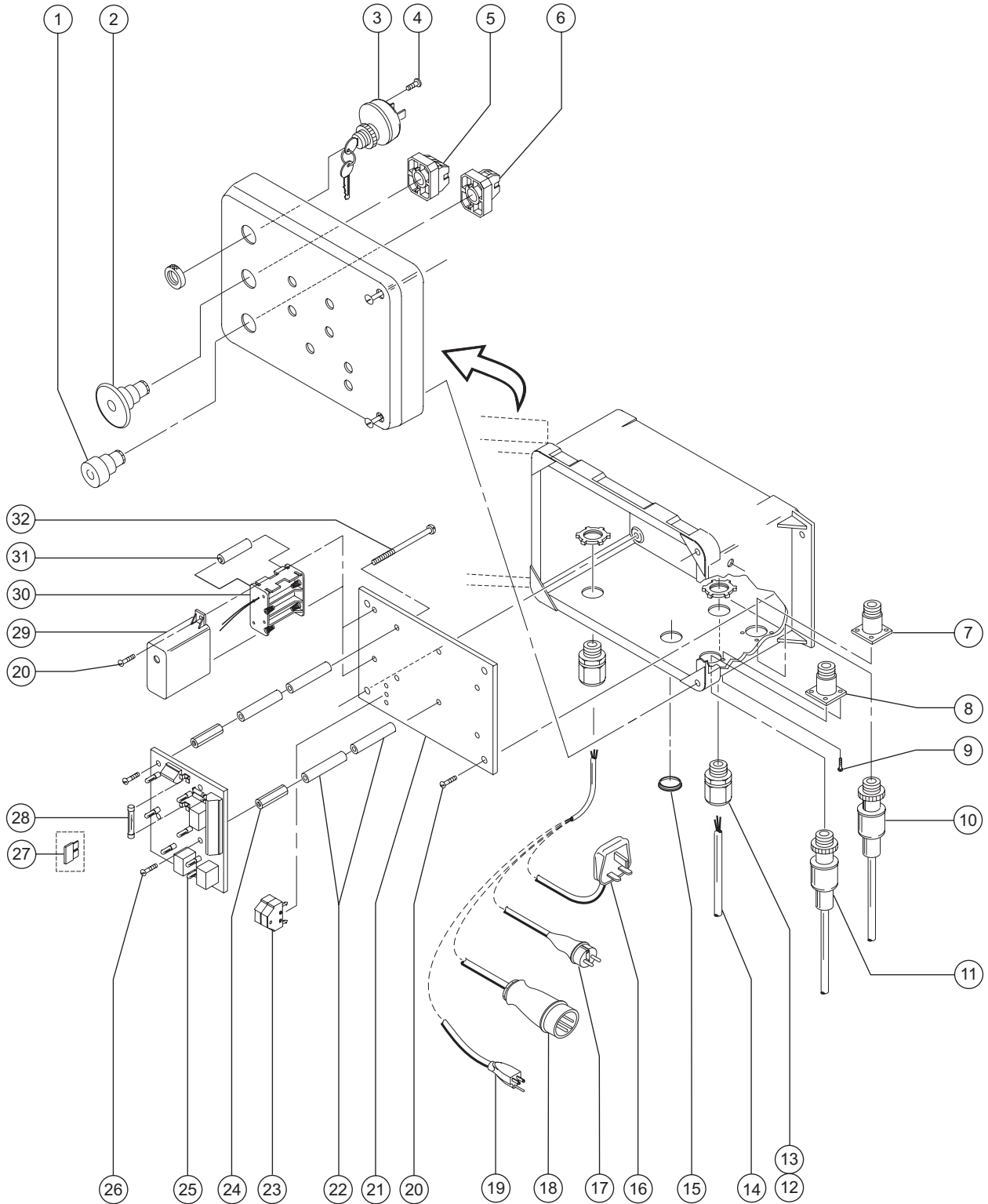
Figure 406.1 **Rev** A **Description** Power Pack Installation, Narrow or Rough Terrain Base, Air Powered Models Option



Item	Part No.	Description	Qty.	Item	Part No.	Description	Qty.
—	41193	Air Filter Assembly Kit, Air Motor (includes items 21 and 27)		23	41192	Air Valve, On/Off	1
—	41487	Air Pressure Gauge		24	69227	Air Filter/Regulator	1
1	4828	Nylock Nut, 3/8 -16					
2	6708	Screw - HHC, 3/8 -16 x 2.25 inches, GR 5					
3	40623-S	Counterweight	4				
4	100894	Power Unit Mount Plate	1				
5	33681	Screw, HHC, 3/8 -16 x 0.63 inch, GR 5					
6	51496	Screw, HHC, 1/2 -13 x 1.375					
7	6198	Nylock Nut, 1/2 -13					
8	41198-S	Air Motor Spacer	2				
9	Ref.	Hydraulic Power Unit - Air Powered (refer to 604.1)					
10	40004	Screw - SHC, 1/4 -20 x 0.38 inch					
11	14295	Shim Washer, 0.264 x 0.5 x 0.032 inch	4				
12	107390	Motor Cover with Word Decals	1				
—	107024	Motor Cover with Symbol Decals					
13	38979	Screw - PHM, 1/4 -20 x 0.5 inch, GR 2					
14	6356	Lock Washer, 1/4 inch					
15	Ref.	Ground Controls Panel with Decal (refer to 409.1)					
16	41038-S	Lubricator Mount Bracket	1				
17	6638	Flat Washer, 1/4 inch	4				
18	41534	Lubricator	1				
19	41488	Screw - RHM, 10-32 x 2 inches	2				
20	6178	Nylock Nut, 10-32	2				
21	41489	Screw - SHC, 5/16 -18 x 2 inches	2				
22	6886	Lock Washer, 5/16 inch	2				



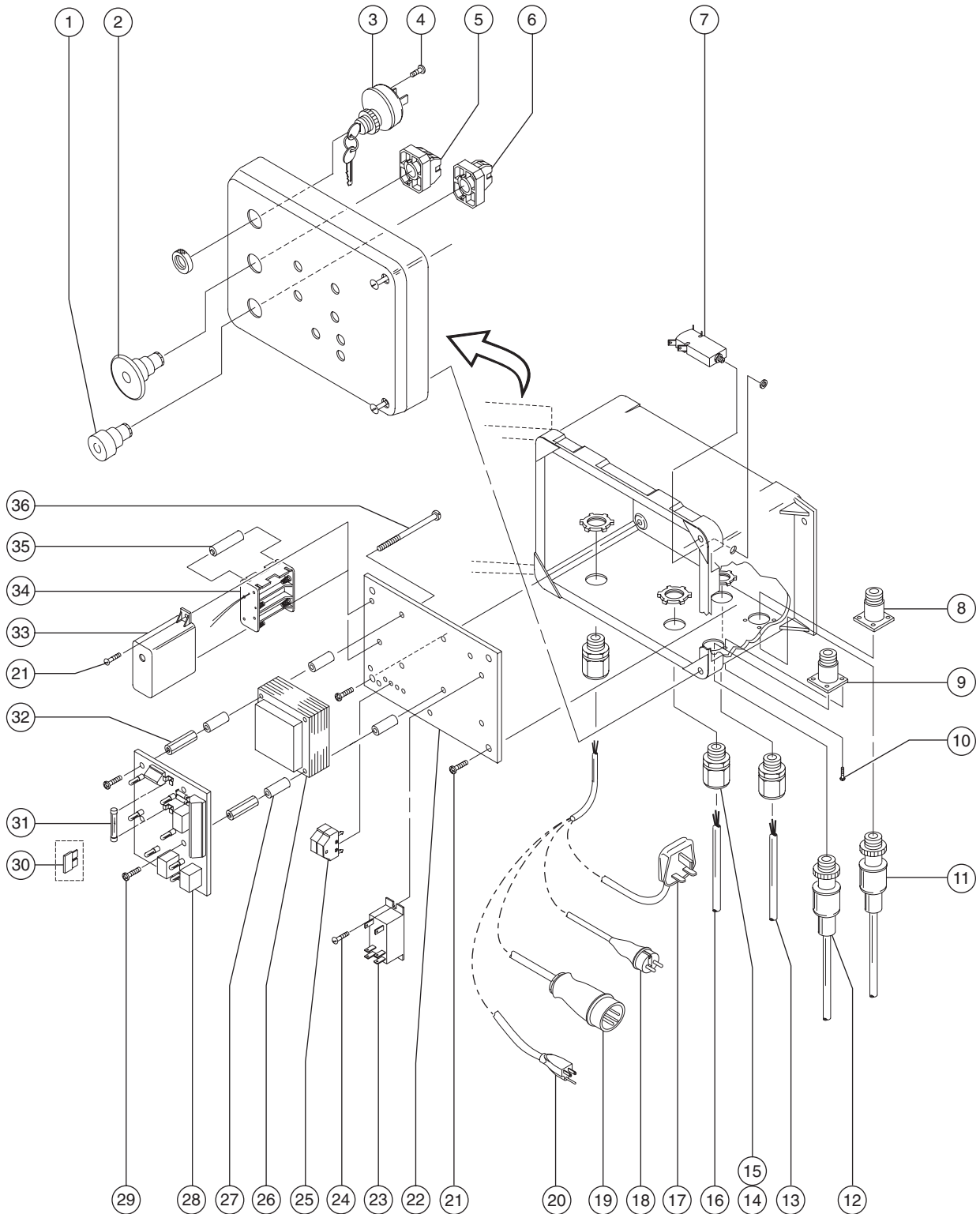
Figure 407.1
Rev A
Description Ground Controls, DC Models



Item	Part No.	Description	Qty.	Item	Part No.	Description	Qty.
—	85276	Ground Control Box Assembly		17	6666	Electrical Plug, European, 2 pins, 220V, Novon	1
—	107167	Ground Control Box Assembly, DC with Decals (includes item 22)		18	12153	Power Cord Assembly with Plug, British, 3 pins 110V AC	1
1	80076	Black Push Button (Auxillary Platform Lowering) (snap-on contact)	1	19	6595	Power Cord Assembly with Plug, US, 110V AC	1
2	66812	Red Emergency Stop Button (snap-on contact)	1	20	31182	Screw - PHPM, 10-32 x 0.375 inch	
3	96008	Key Switch, 3 Position, with keys (includes item 4)	1	21	37704	Mounting Plate	1
—	83093	Key		22	69847	Spacer	8
—	37947	Key (10)		23	80707	Terminal, 4 conductor	1
4	96010	Screw - PHM, 6-32 x 0.38 inch		—	80706	Terminal, 2 conductor	
5	66817	Red Emergency Stop Base (includes 1 each N.C. contact)	1	—	80705	Terminal End Plate	
—	66818	N.C. Contact		24	33585	Coupling Nut, 10-24 x 0.75 inch	4
6	66815	Black Push Button Base (includes 1 each N.O. contact)	1	25	40720	Circuit Board (includes item 28)	1
—	66816	N.O. Contact		26	21018	Screw - PHPM, 10-24 x 0.375 inch	
7	38217	Controls Wire Harness, with 6 Sockets	1	27	69864	Fuse, 5A, ATC	1
8	38216	Interlock Wire Harness, with 7 Pins	1	28	80711	Fuse, 7.5A	1
9	10153	Screw - PHM, Self Tapping, 6-32 x 0.38 inch	8	29	38583	Battery Cover	1
10	Ref.	Power Cable Assembly, Ground Controls to Platform (refer to 411.1 or 412.1)		30	38017	Battery Holder	1
11	Ref.	Power Cable Assembly, Ground Controls to Base (refer to 411.1 or 412.1)		31	38018	Battery, Size AA, 1.5V DC	8
12	7056	Squeeze Connector, 1/2 inch	2	32	33587	Screw - RHM, 10-24 x 3 inches	
13	6935	Locknut, 0.5 inch	2				
14	43956	Wire Cable, 14 Gauge, 3 Conductor SJO	30 inches				
15	33605	Nylon Plug	1				
16	25388	Fused Plug, UK, 2 pins, 250V, 13 Amp	1				
—	65737	Fuse, 13 Amp, 220V					



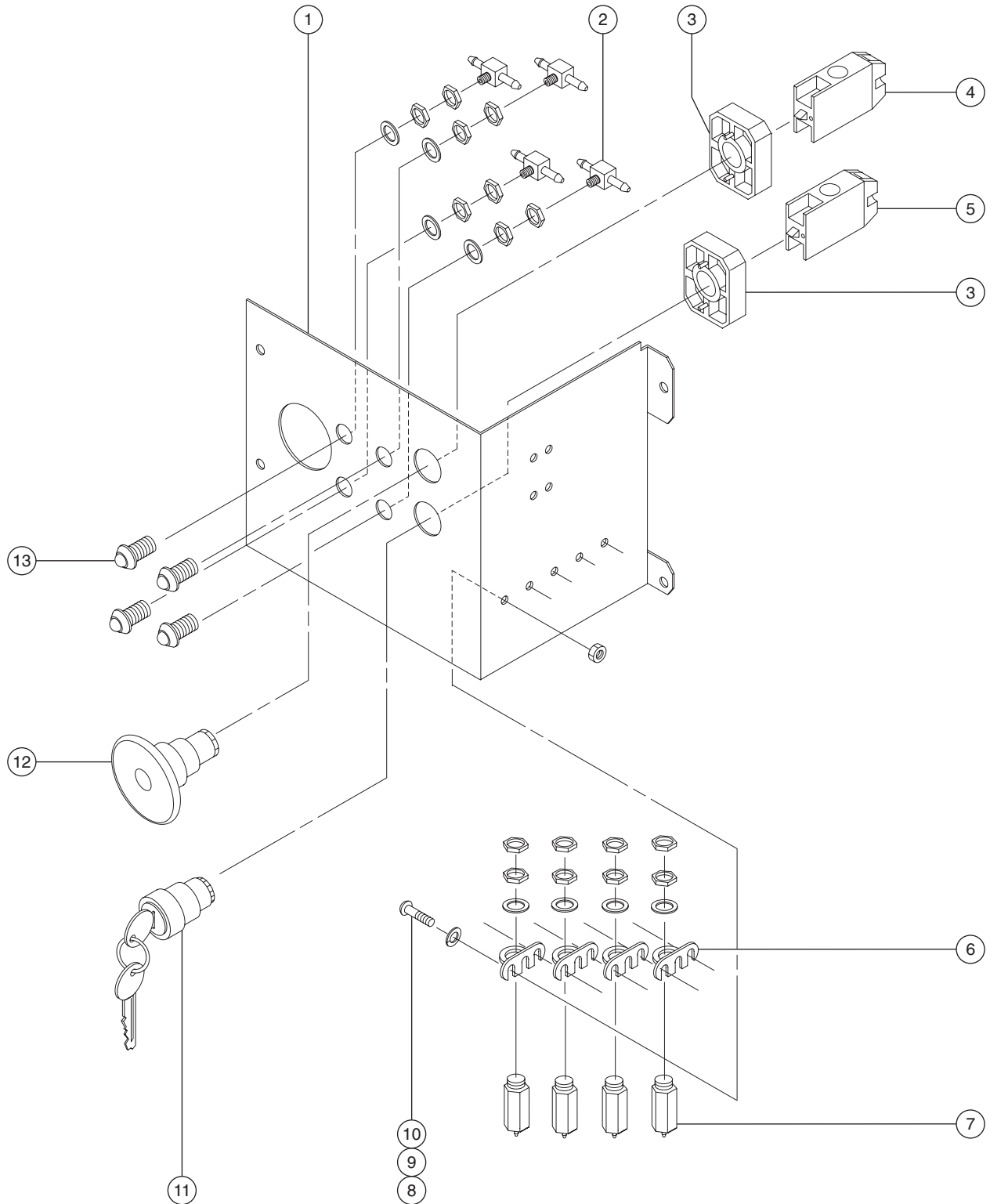
Figure 408.1
Rev A
Description Ground Controls, AC Models



Item	Part No.	Description	Qty.	Item	Part No.	Description	Qty.
—	85318	Ground Control Box Assembly, 110V AC		15	6935	Electric Locknut, 1/2 inch	3
—	85369	Ground Control Box Assembly, 85V AC (Japanese models)		16	43956	Wire Cable	29 inches
—	85320	Ground Control Box Assembly, 220V AC,		17	46608	Power Plug Cord Assembly, British, 13A, 220V AC	1
—	85473	Ground Control Box Housing Assembly		18	46609	Power Plug Cord Assembly, 2 Pin, European, 220V AC	1
1	80076	Black Push Button (Auxillary Platform Lowering) (snap-on contact)	1	19	46610	Power Plug Cord Assembly, 3 Pin, British, 16A, 110V AC	1
2	66812	Red Emergency Stop Button (snap-on contact)	1	20	46611	Power Plug Cord Assembly, US, 110V AC	1
3	96008	Key Switch, 3-position, with keys (includes item 4)	1	21	31182	Screw - PHM, 10-32 x 0.38 inch	
—	83093	Key, single		22	37704	Component Mounting Plate	1
—	37947	Keys (10)		23	33584	Motor Contactor Relay	1
4	96010	Screw - PHM, 6-32 x 0.25 inch		24	20342	Self Tapping Screw, #6 x 0.375 inch	
5	66817	Red Emergency Stop Base, (includes 1 each N.C. contact)	1	25	80707	Terminal, 4 conductor	2
—	66818	N.C. Contact		—	80706	Terminal, 2 conductor	
6	66815	Black Push Button Base, (includes 1 each N.O. contact)	1	—	80705	Terminal End Plate	
—	45081	N.O. Contact		26	33586	Transformer	1
7	38021	Circuit Breaker, 8A, 110V AC	1	—	69623	Transformer (Japanese models)	
—	38020	Circuit Breaker, 15A, 220V AC		27	69846	Transformer Spacer	8
8	38217	Control Wire Harness	1	28	40720	Circuit Board	1
—	33578	Connector, Male, 6 Sockets		29	21018	Screw - PHM, 10-24 x 0.38 inch	
9	38216	Interlock Wire Harness	1	30	69864	Fuse, 5A, ATC	1
—	33581	Connector, Female, 7 Pins		31	80711	Fuse, 7.5A	1
10	10153	Screw - PHM, 6-32 x 0.38 inch		32	33585	Coupling Nut, 10-24 x 0.75 inch	4
11	Ref.	Power Cable Assembly, Ground Controls to Platform (refer to 411.1or 412.1)		33	38583	Battery Cover	1
12	Ref.	Power Cable Assembly, Ground Controls to Base (refer to 411.1or 412.1)		34	38017	Battery Holder	1
13	43956	Wire Cable	26 inches	35	38018	Battery, Size AA, 1.5V DC	8
14	7056	Squeeze Connector, 1/2 inch NPT	3	36	69845	Screw - RHM, 10-24 x 2.75 inches	



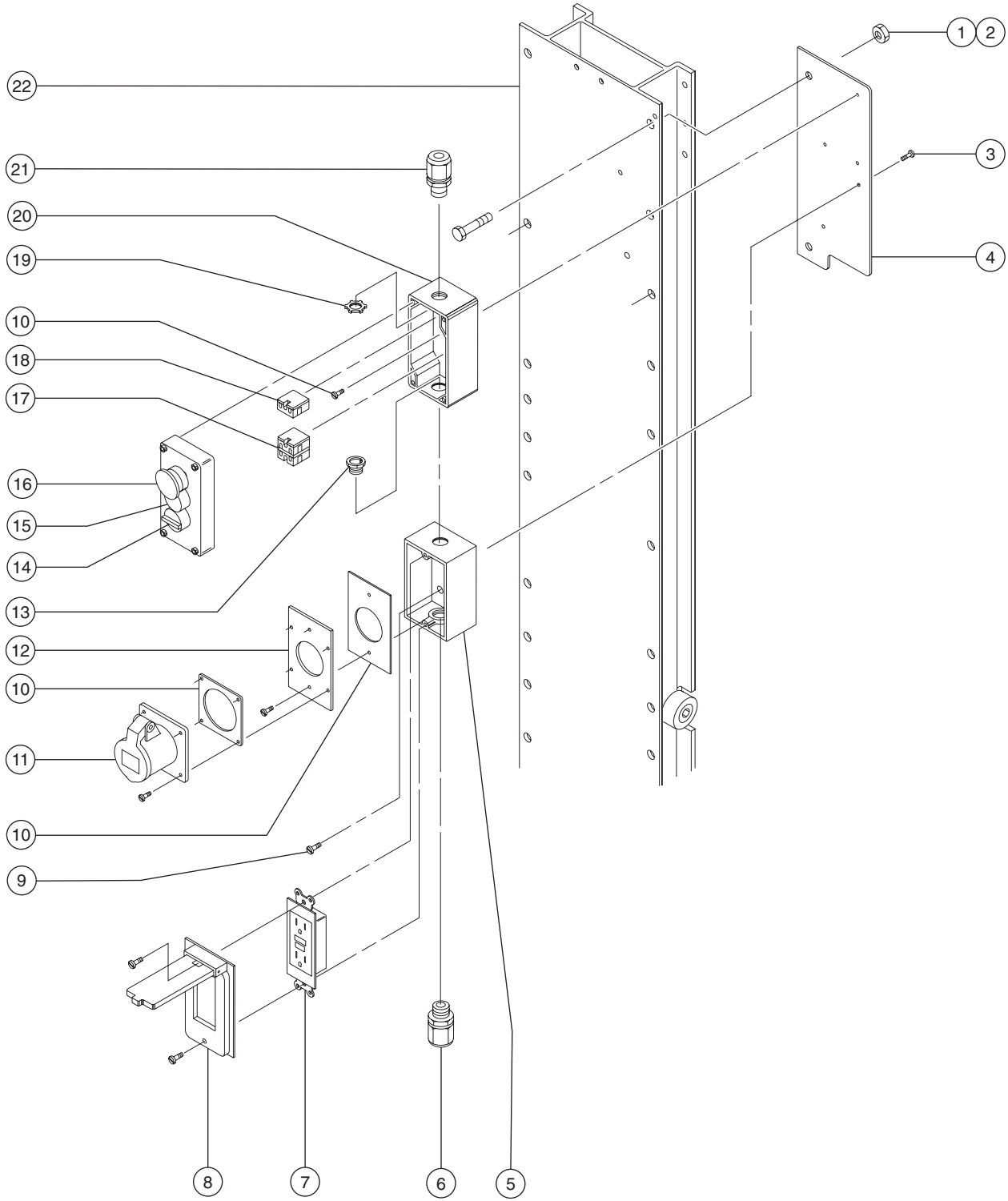
Figure 409.1
Rev A
Description Ground Controls, Air Powered Models



Item	Part No.	Description	Qty.
1	107383	Ground Controls Panel with Decals	1
2	41479	Branch Tee Fitting, 1/16 inch Barb x 10/32 inch (includes mounting fasteners)	4
3	33328	Contact Block Base	2
4	41202	Contact Block, Normally Passing (N.C.)	1
5	41203	Contact Block, Not Normally Passing (N.O.)	1
6	41521	Valve Mount Bracket	4
7	40970	Valve, 2 position 3 way (includes mounting fasteners)	4
8	31182	Screw - PHM, 10-32 x 0.38 inch	5
9	6607	Lock Washer, Plated, #10	2
10	14392	Low Profile Nylock Nut, 10-32	4
11	66811	Key Switch, 3 position, maintained, with keys	
—	33328	Contact Block Base	
—	21982	Key	
—	37947	Key (10)	
12	33321	Red Emergency Stop Button (includes item 3)	1
—	32614	Push Button	
13	40973	Outrigger Indicator (includes mounting fasteners)	4



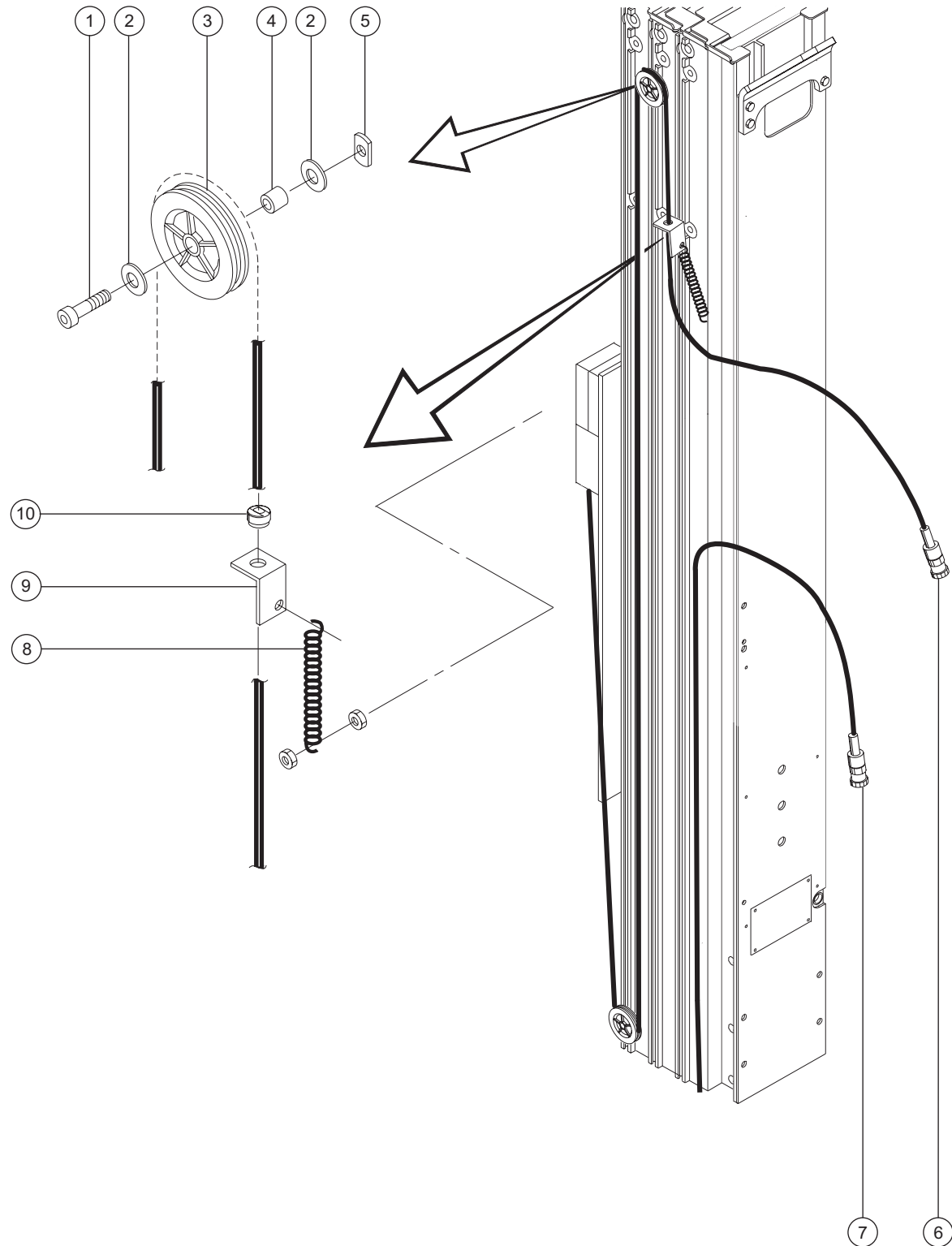
Figure 410.1 **Rev** A **Description** Platform Controls, All Models



Item	Part No.	Description	Qty.	Item	Part No.	Description	Qty.
1	7713	Low Profile Nylock Nut, 3/8 -16		21	7056	Squeeze Connector, 1/2 inch 1	
2	8255	Screw - HHC, 3/8 -16 x 0.75 inch, GR 5		22	Ref.	Carriage Assembly (refer to 305.1)	
3	57075	Screw - PHPM, 8-32 x 0.5 inch					
4	41546	Mounting Plate, Power to Platform	2				
5	10775	T-box	1				
6	7057	Squeeze Connector, 1/2 inch	1				
7	13585	Receptacle, 110V AC, GFCI with cover	1				
8	45437	GFCI cover, Weatherproof (includes gasket and mounting fasteners)	1				
—	10777	Blank Cover (includes gasket and mounting fasteners)					
9	21018	Screw - PHM, 10-24 x 0.38 inch					
10	33724	Gasket Kit (CE Models)	1				
11	67516	Receptacle, 110V AC (CE Models)	1				
12	33629	Power to Platform Plate, (CE Models)	1				
13	80712	Conduit Nipple, 1/2 inch	1				
14	80716	Selector Button (Up / Down)	1				
—	80714	N.O. Contact	1				
15	80076	Black Push Button (Control Activate)	1				
—	80714	N.O. Contact	1				
16	80713	Red Emergency Stop Button, 22 mm	1				
—	80715	N.C. Contact					
17	80714	Contact Block, N.O.	2				
18	80715	Contact Block , N.C.	1				
19	6935	Electric Locknut, 1/2 inch	2				
20	100256	Platform Control Box Assembly	1				
—	80071	Platform Control Box, 1-Button					
—	80071	Platform Control Box, 2-Button					



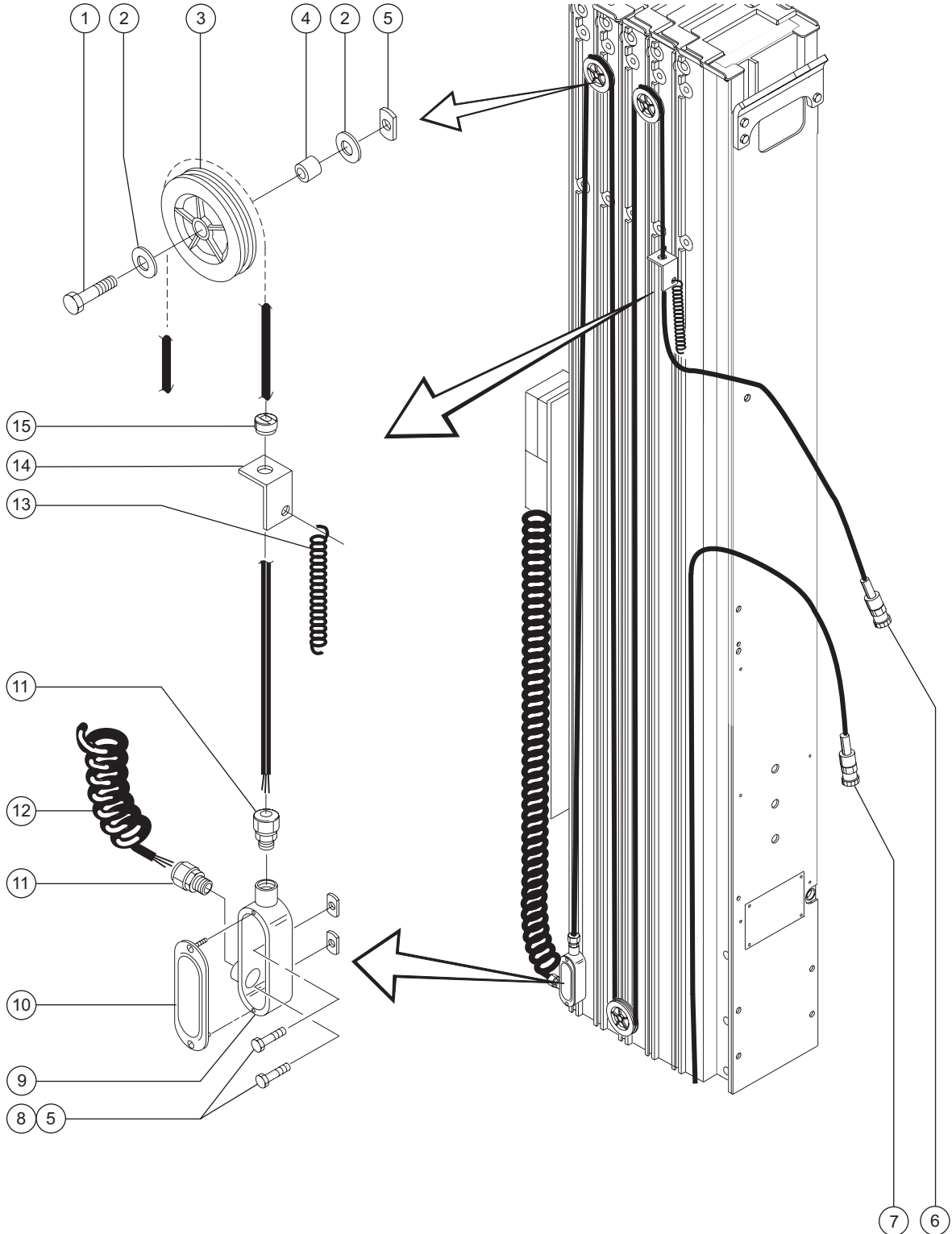
Figure	Rev	Description
411.1	A	Control Cable Assembly, AWP-20S, AWP-30S and AWP-40S, AC and DC Models



Item	Part No.	Description	Qty.
1	8915	Screw - HHC, 1/4 -20 x 1.25 inches, GR 5	
2	6638	Flat Washer, 1/4 inch	
3	23394	Control Cable Sheave, AWP-20S	4
—	23394	AWP-30S and AWP-40S	6
4	40735	Aluminum Spacer, 1/4 x 0.375 x 0.875 inch, AWP-20S	4
—	40735	AWP-30S and AWP-40S	6
5	35991	Weld Nut, 1/4 -20	
6	35049	Power Cable Assembly, Ground Controls to Platform, AWP-20S	1
—	41227	Power Cable Assembly, Ground Controls to Platform, AWP-30S	
—	38210	Power Cable Assembly, Ground Controls to Platform, AWP-40S	
7	46078	Power Cable Assembly, Ground Controls to Base	1
8	23396	Control Cable Tension Spring	1
9	23787	Control Cable Tension Bracket	1
10	23788	Strain Relief Bushing	1



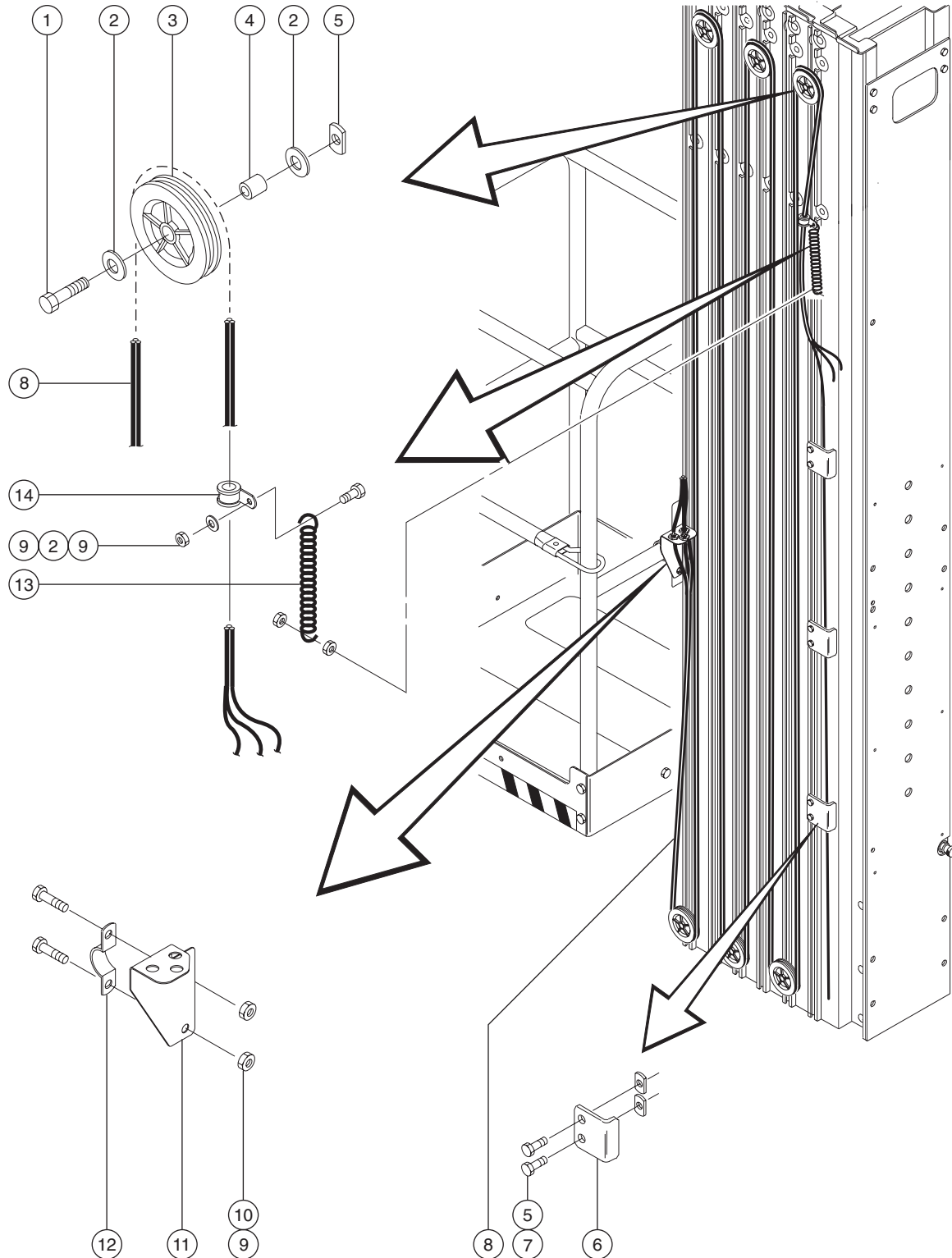
Figure 412.1 **Rev** A **Description** Control Cable Assembly, AWP-25S and AWP-36S, AC and DC Models



Item	Part No.	Description	Qty.
1	8915	Screw - HHC, 1/4 -20 x 1.25 inches, GR 5	
2	6638	Flat Washer, 1/4 inch	
3	23394	Control Cable Sheave, AWP-25S and AWP-36S	3
4	40735	Aluminum Spacer, 1/4 x 0.375 x 0.875 inch, AWP-25S and AWP-36S	3
5	35991	Weld Nut, 1/4 -20	
6	38207	Power Cable Assembly, Ground Controls to Platform	1
—	35049	Power Cable Assembly, Ground Controls to Platform, AWP-36S	
7	46078	Power Cable Assembly, Ground Controls to Base	1
8	7339	Screw - HHC, 1/4 -20 x 0.5 inch, GR 5	
9	40285	Oval Outlet Box	1
10	6633	Outlet Box Cover	1
11	7057	Squeeze Connector, 1/2 inch	2
12	27676	Coil Cord, AWP-25S	1
—	27494	Coil Cord, AWP-36S	
13	23396	Control Cable Tension Spring	1
14	23787	Control Cable Tension Bracket	1
15	23788	Strain Relief Bushing	1



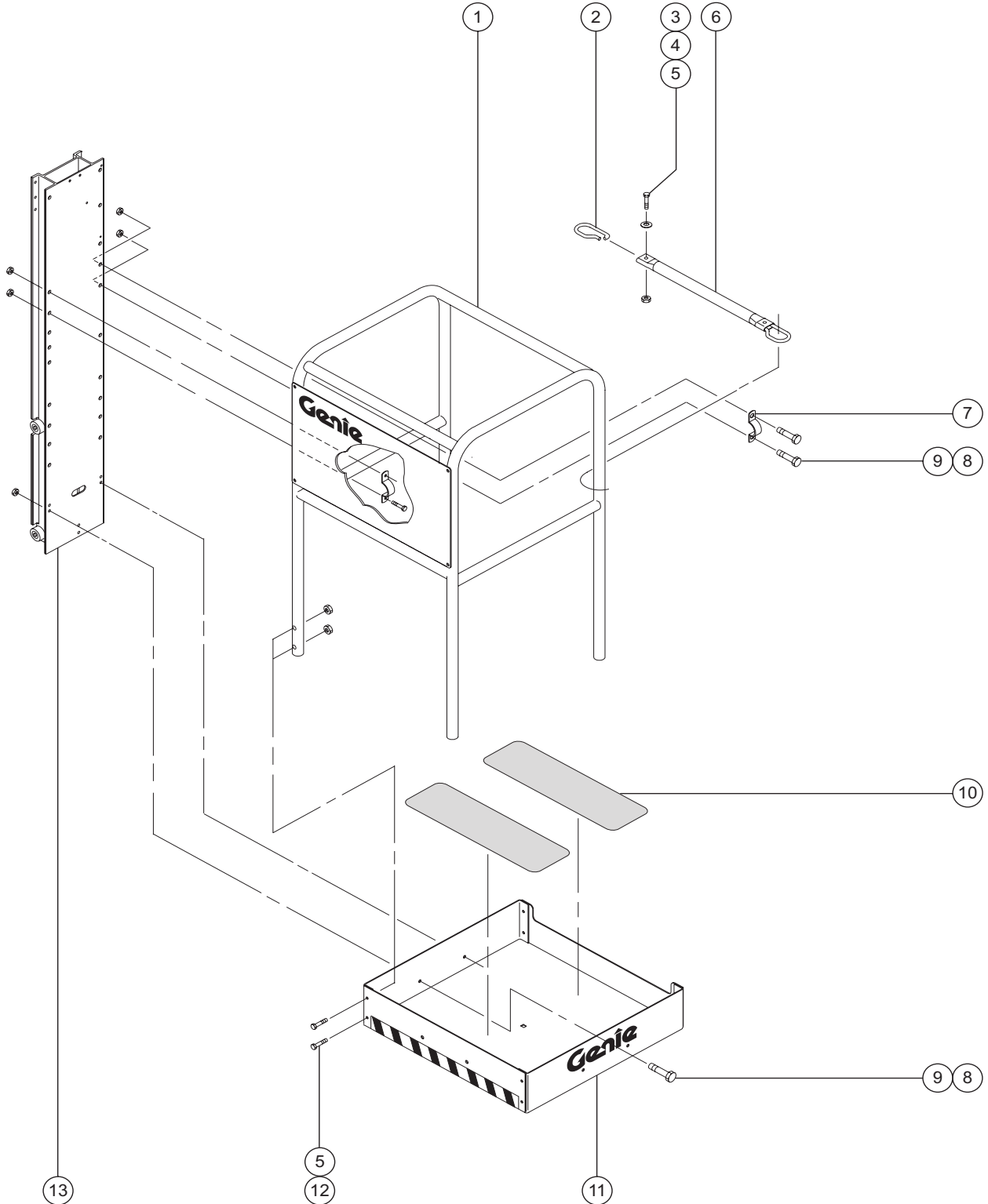
Figure 413.1 **Rev** A **Description** Control Hose Assemblies, Air Powered Models



Item	Part No.	Description	Qty.
1	8915	Screw - HHC, 1/4 -20 x 1.25 inches, GR 5, AWP-30S	6
2	6638	Flat Washer, 1/4 inch, AWP-30S	13
3	23394	Control Hose Sheave, AWP-30S	6
4	40735	Sleeve Spacer, 0.25 x 0.375 x 0.875 inch, AWP-30S and 40S	6
5	35991	Weld Nut, 1/4 -20, AWP-30S	12
		AWP-40S	6
6	37691	Cable and Hose Bracket, AWP-30S	3
7	7339	Screw - HHC, 1/4 -20 x 0.5 inch, GR 5, AWP-30S	6
8	41949	Control Hose, 3 Tubes, AWP-30S	
—	41955	Control Hose, 3 Tubes, AWP-30S Models with Narrow or Rough Terrain Base	
9	4828	Nylock Nut, 3/8 -16	2
10	6175	Screw - HHC, 3/8 -16 x 1 inch, GR 5	
11	41037-S	Bulkhead Bracket	1
12	38586	Platform Mount Clamp	1
13	23396	Control Hose Tension Spring	1
14	6833	Rubber Cushioned Clamp, 0.5 inch	1



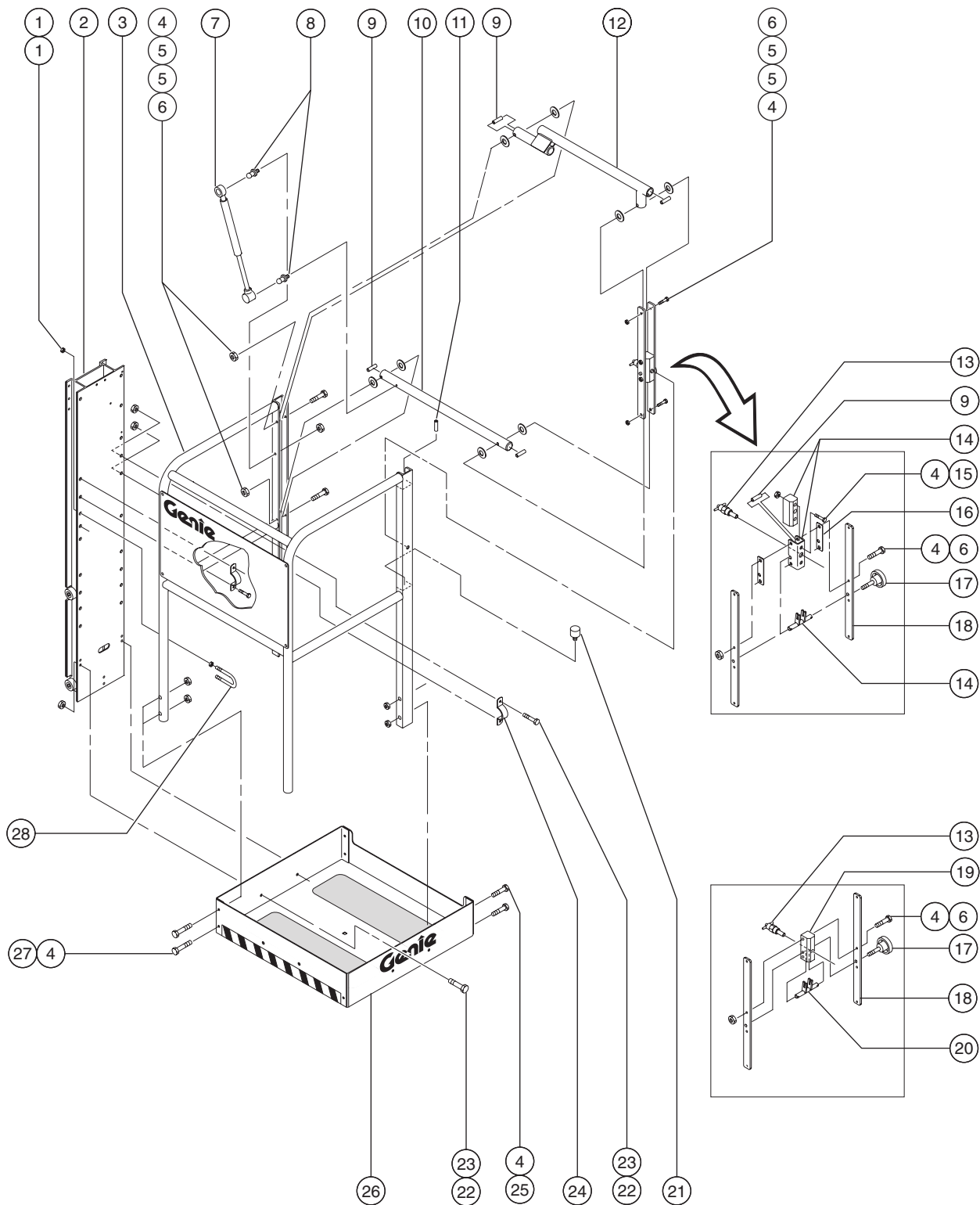
Figure 501.1 **Rev** A **Description** Platform Assembly, Aluminum, Sliding Mid-rail Entry



Item	Part No.	Description	Qty.
—	Ref.	Platform Assembly (see cross reference chart on 505.1)	
—	Ref.	Platform Assembly (see cross reference chart on 505.1)	
1	Ref.	Railing Assembly (includes items 2-6) (see cross reference chart on 505.1)	
—	Ref.	Railing Assembly (includes items 2-6) (see cross reference chart on 505.1)	
2	41292	Mid-rail Guide Assembly	2
—	31146	Wire Loom @ 16 inches	
3	6888	Screw - HHC, 1/4 -20 x 1 inch, GR 5	
4	56660	Back Up Washer, 1/4 inch	
5	6091	Nylock Nut, 1/4 -20	
6	107391	Mid-rail Tube Assembly with Decal	1
7	38586	Clamp	2
8	6175	Screw - HHC, 3/8 -16 x 1 inch, GR 5	
9	4828	Nylock Nut, 3/8 -16	
10	24537	Non-skid Tape, 6 x 24 inches	2
11	38204	Toeboard Assembly with Decals (includes item 10)	1
12	4266	Screw - HHC, 1/4 -20 x 2 inches, GR 5	
13	Ref.	Carriage Assembly (refer to 305.1)	



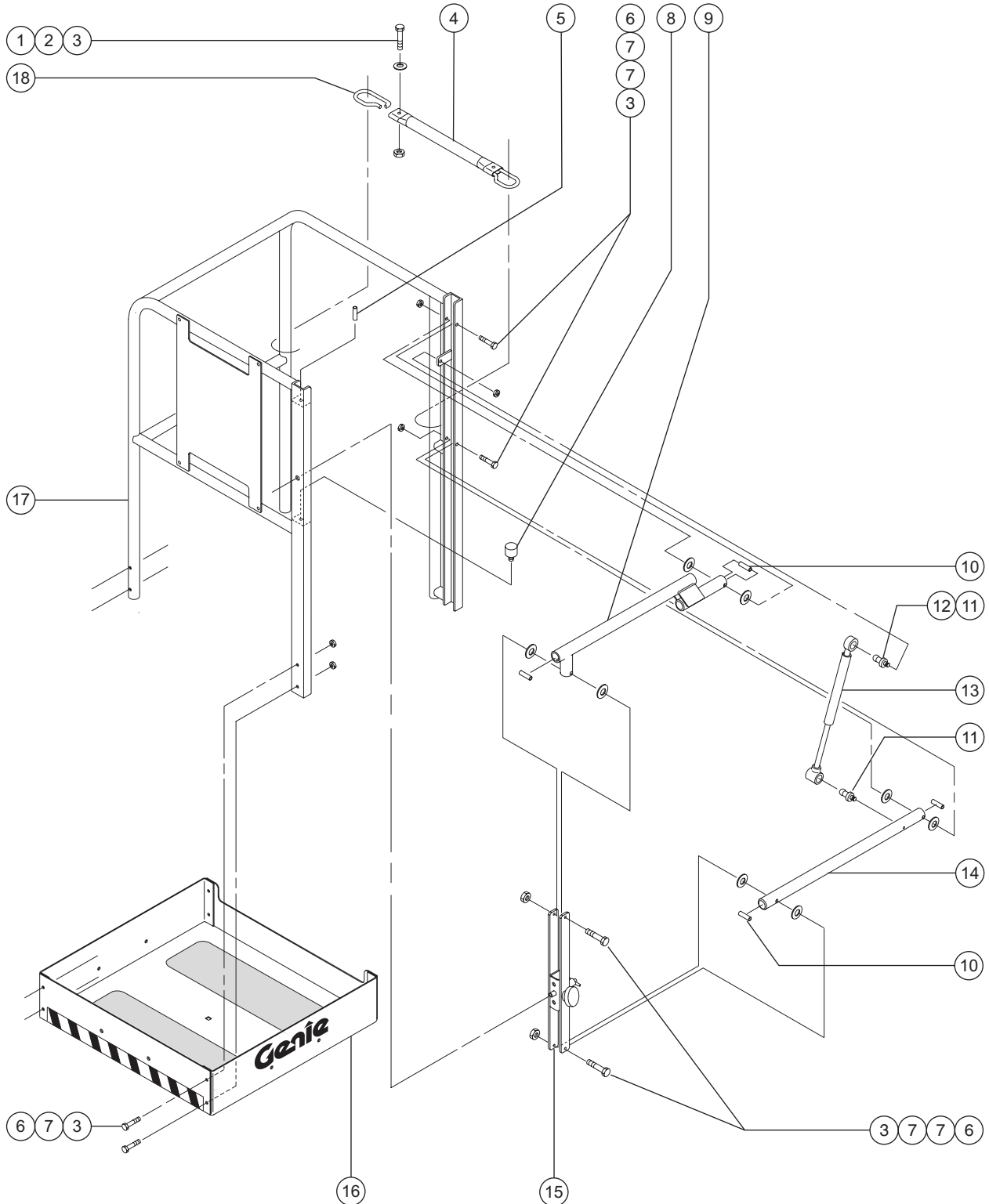
Figure 502.1 **Rev** A **Description** Platform Assembly, Aluminum, Gated Entry



Item	Part No.	Description	Qty.	Item	Part No.	Description	Qty.
—	Ref.	Platform Assembly (see cross reference chart on 505.1)		17	26787	Knob	2
				—	2095	Set Screw, 10-32 x 0.25 inch	
1	6022	Hex Nut, 3/8 -16		18	26780	Hinge	2
2	Ref.	Carriage Assembly (refer to 305.1 or 306.1)		19	57116	Gate Latch Housing	1
3	Ref.	Standard Railing Assembly (see cross reference chart on 505.1)		20	57138	Latch Rotator	1
—	Ref.	Narrow Railing Assembly (see cross reference chart on 505.1)		21	26785	Rubber Bumper	1
—	Ref.	Ultra-Narrow Railing Assembly (see cross reference chart on 505.1)		22	6175	Screw - HHC, 3/8 -16 x 1 inch, GR 5	
4	6091	Nylock Nut, 1/4 -20		23	4828	Nylock Nut, 3/8 -16	
5	12013	Flat Washer, 0.375 x 0.625 x 0.063 inch		24	38586	Clamp	2
6	6884	Screw - HHC, 1/4 -20 x 2.5 inches, GR 5		25	6888	Screw - HHC, 1/4 -20 x 1 inch, GR 5	
7	38593	Gas Strut	1	26	38204	Toeboard Assembly with Decal Standard Platform	1
—	65874	Socket		—	40258	Toeboard Assembly with Decal Narrow Platform	
8	40265	Ball Stud, Gas Strut	2	—	38220	Toeboard Assembly with Decal Ultra-narrow Platform	
9	37719	Bushing, 1.5 x 0.375 x 0.25 inch	6	—	24537	Non-skid Tape, 6 x 24 inches	
10	40264	Lower Pivot Assembly, Standard Platform (includes item 8)	1	27	4266	Screw - HHC, 1/4 -20 x 2 inches, GR 5	
—	40260	Lower Pivot Assembly, Narrow Platform		28	6550	U-Bolt, 3/8 -16 x 1.5 x 2.5 x 1.25 inches	
—	38222	Lower Pivot Assembly, Ultra-Narrow Platform					
11	38338	Roll Pin, 1/4 x 0.75 inch					
12	37982	Gate, Standard Platform	1				
—	38050	Gate, Narrow Platform					
—	38048	Gate, Ultra-narrow Platform					
13	37732	Pull Pin	1				
14	38223	Latch Attachment Assembly (includes items 19 and 20)	1				
15	38582	Screw - SHC, 1/4 -20 x 1 inch, GR 5					
16	37979	Shim	2				



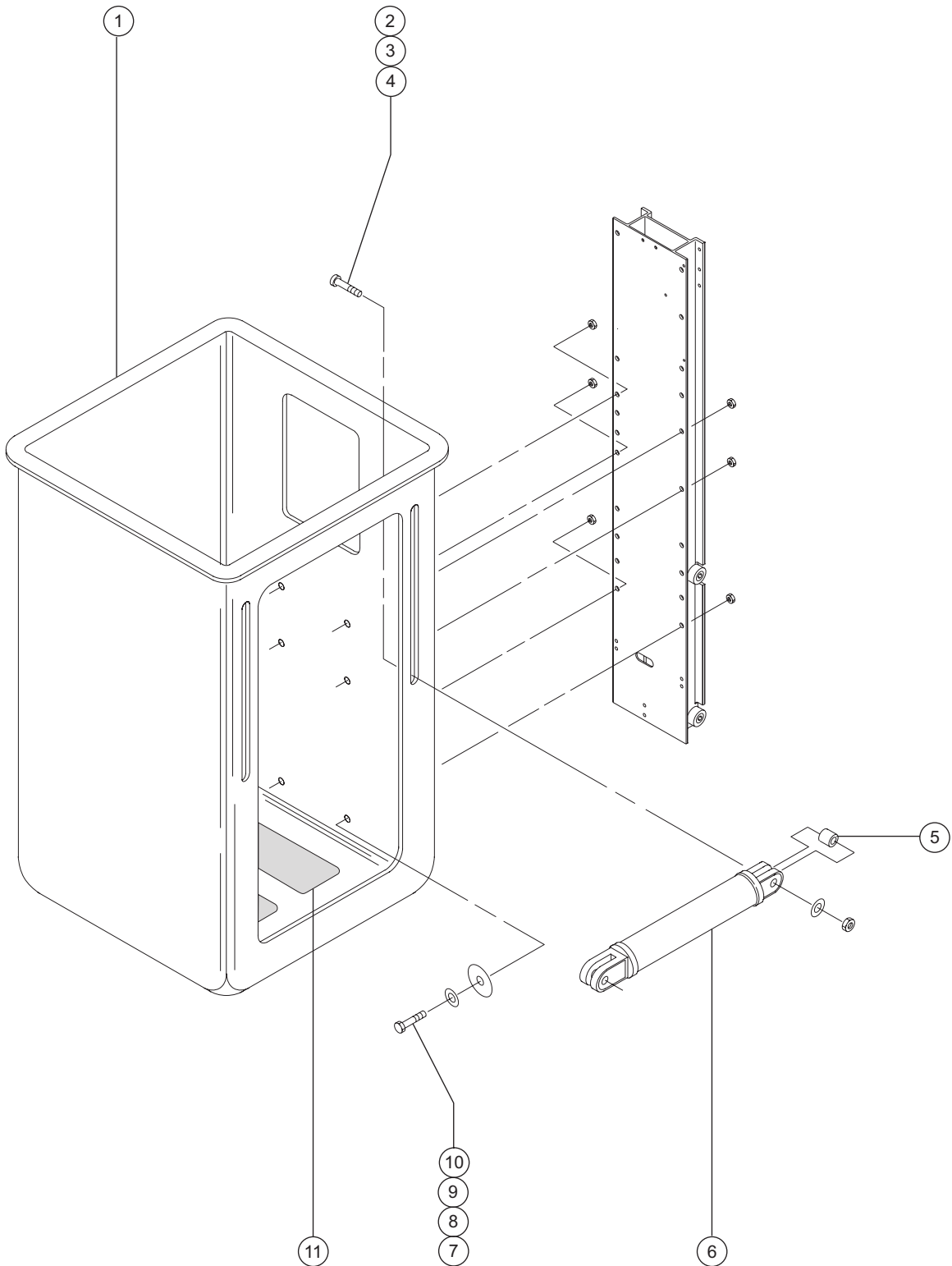
Figure 503.1 **Rev** A **Description** Platform Assembly, Aluminum, Extra Large, Front and Side Entry



Item	Part No.	Description	Qty.
—	Ref.	Platform Assembly (see cross reference chart on 505.1)	
1	8915	Screw - HHC, 1/4 -20 x 1.25 inches, GR 5	
2	6638	Flat Washer, 1/4 inch	
3	6091	Nylock Nut, 1/4 -20	
4	37391	Mid-rail Tube 1	1
5	38338	Roll Pin, 1/4 x 0.75 inch 1	1
6	6884	Screw - HHC, 1/4 -20 x 2.5 inches, GR 5	
7	12013	Flat Washer, 0.375 x 0.625 x 0.063 inch	
8	26785	Rubber Bumper 1	1
9	37982	Gate Assembly 1	1
10	37719	Bushing, 1.5 x 0.375 x 0.25 inch 6	6
11	40265	Ball Stud, Gas Strut 2	2
12	6002	Low Profile Nylock Nut, 5/16 -18	
13	38593	Gas Strut 1	1
14	40264	Lower Pivot Assembly 1	1
15	Ref.	Gate Latch Assembly (refer to 502.1)	
16	44977	Toeboard Assembly with Decals 1	1
—	24537	Non-skid Tape, 6 x 24 inches	
17	Ref.	Railing Assembly (see cross reference chart on 505.1)	
18	Ref.	Mid-rail Guide Assembly (refer to 501.1)	



Figure 504.1
Rev B
Description Platform Assembly, Fiberglass



Item	Part No.	Description	Qty.
—	Ref	Platform Assembly (see cross reference chart on 505.1)	
1	Ref	Fiberglass Platform Assembly (see cross reference chart on 505.1)	
2	23838	Screw - PHM, 1/4 -20 x 1.75 inches	
3	6638	Flat Washer, 1/4 inch	
4	6889	Low Profile Nylock Nut, 1/4 -20	
5	8149	Spacer - Nylon, 0.257 x 0.5 x 0.75 inch	2
6	40269	Mid-rail Assembly, Standard Platform	1
—	40271	Mid-rail Assembly, Narrow Platform	
7	5224	Screw, 3/8 -16 x 2 inches, GR 5	
8	6097	Flat Washer, 0.375 inch	
9	14016	Flat Washer, 0.5 x 1.74 x 0.04 inch	
10	7713	Low Profile Nylock Nut, 3/8 -16	
11	24537	Non-skid Tape, 6 x 24 inches	2



Figure	Rev	Description
505.1	A	Platform Assembly Cross Reference Chart

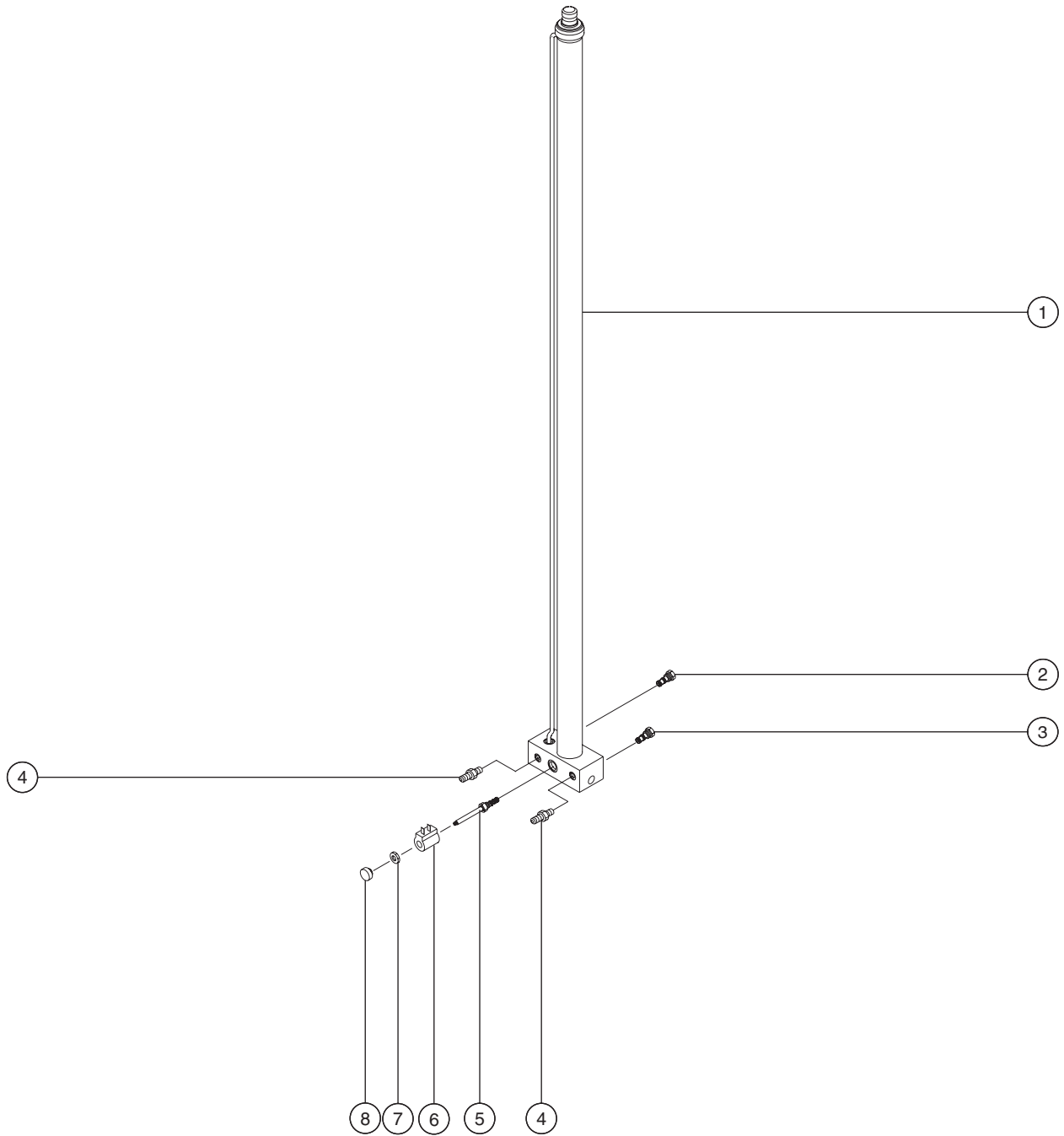
Platform Assemblies

Region	ANSI	CSA	AUS	CE
Aluminum, Sliding Mid-rail Entry				
Decals with Words	107433	107433	107434	
Decals with Symbols	107435			85497
Aluminum, Gated Entry				
Standard, Decals with Words	107436	107436	107437	
Narrow, Decals with Words	107438	107438	107439	
Ultra-Narrow, Decals with Words	107440	107440	107441	
Standard, Decals with Symbols	107442			84599
Narrow, Decals with Symbols	107443			85328
Ultra-Narrow, Decals with Symbols	107444			85330
Aluminum, Extra Large, Front/Side Entry				
Decals with Words	107445	107445	107446	
Decals with Symbols	107447			85338
Fiberglass				
Standard, Decals with Words	107448	107448	107449	
Standard, Decals with Symbols	107450			85356
Narrow, Decals with Words	107451	107451	107452	
Narrow, Decals with Symbols	107453			85358

Railing Assemblies

Region	ANSI	CSA	AUS	CE
Aluminum, Sliding Mid-rail Entry				
Decals with Words	107454	107454	107455	
Decals with Symbols	107456			85497
Aluminum, Gated Entry				
Standard, Decals with Words	107457	107457	107458	
Standard, Decals with Symbols	107459			85332
Narrow, Decals with Words	107460	107460	107461	
Narrow, Decals with Symbols	107462			85334
Ultra-Narrow, Decals with Words	107463	107463	107464	
Ultra-Narrow, Decals with Symbols	107465			85336
Aluminum, X-Large, Front/Side Entry				
Decals with Words	107466	107466	107467	
Decals with Symbols	107468			85340

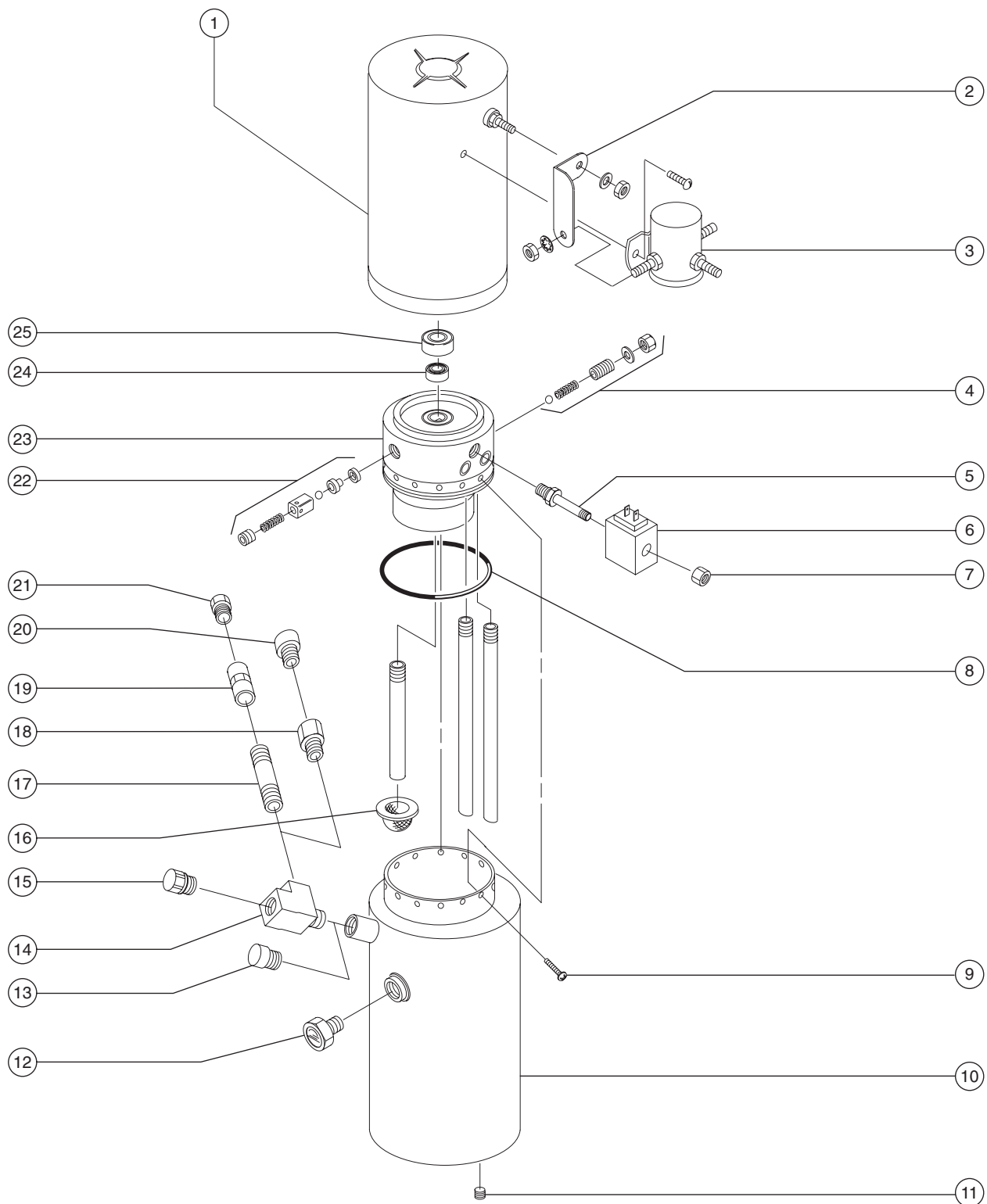
Figure	Rev	Description
601.1	A	Lift Cylinder



Item	Part No.	Description	Qty.
1	80950	Lift Cylinder (AWP-20S, AWP-25S and AWP-30S)	1
—	80943	Seal Kit	
1	80951	Lift Cylinder (AWP-40S)	1
—	80944	Seal Kit	
1	80952	Lift Cylinder (AWP-36S)	1
—	80945	Seal Kit	
2	35725	Flow Control Valve, 1 gpm / 3.78 L/min	2
3	35726	Check Valve	1
4	13755	Fitting	2
5	40571	Solenoid Valve Assembly, N.C. (includes items 6-8)	1
—	40477	Seal Kit	
6	40417	Coil, 10V DC	1
7	19792	Coil Nut	1
8	38068	Manual Lowering Valve Knob	1



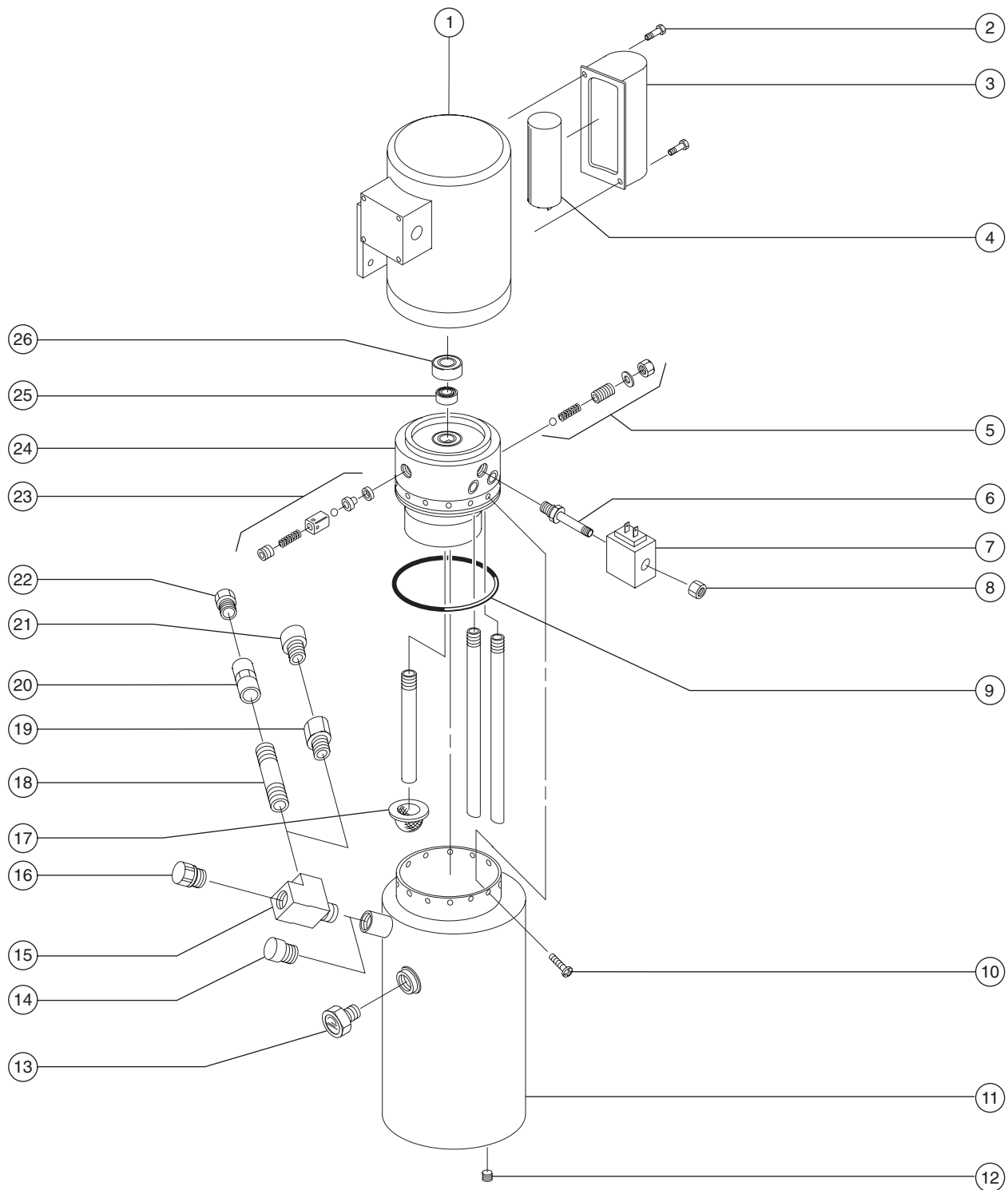
Figure 602.1 **Rev** B **Description** Hydraulic Power Unit, DC Models



Item	Part No.	Description	Qty.	Item	Part No.	Description	Qty.
—	100989	Hydraulic Power Unit, DC models		20	100255	Reservoir Breather Cap, Models with Narrow or Rough Terrain Base	1
1	38151	Electric Motor, 12V DC (includes item 25)	1	21	46051	Breather Cap, 3/8 NPT, Nickel Plated, Models with Narrow or Rough Terrain Base	1
—	38152	Brush Kit, DC Motor		22	38155	Check Valve Kit	1
2	44991	Solenoid Ground Strap	1	23	38154	Hydraulic Pump (includes items 4, 8, 22 and 24) ...	1
3	38153	Motor Starter Solenoid	1	24	40401	Motor Seal	1
4	38156	Relief Valve Kit	1	25	40400	Motor Bearing	1
5	100866	Valve - N.O. Solenoid (includes items 6 and 7)	1				
—	100867	Valve - Cartridge with Nut, N.O. Solenoid (includes item 7)					
6	100868	Coil, 10V DC	1				
7	100869	Coil Nut	1				
8	40318	Reservoir O-Ring	1				
9	21018	Screw - PHM, 10-24 x 0.38 inch					
10	85218	Plastic Reservoir with Decals, 3 Quarts / 2.84 Liters	1				
11	109802	Plug, Hex Socket	1				
12	38161	Sight Gauge	1				
13	100158	Reducer, Nylon, 3/4 NPT x 3/8 NPT, Models with Narrow or Rough Terrain Base	1				
14	40704	Fitting, 3/8 NPT, Models with Narrow or Rough Terrain Base	1				
15	48520	Valve Breather Cap, 3/8 NPT	1				
16	38160	Pick-up Filter	1				
17	48519	Check Valve, 3/8 NPT, Models with Narrow or Rough Terrain Base	1				
18	40706	Fitting - Adapter, 3/8 NPT, Models with Narrow or Rough Terrain Base	1				
19	46049	Fitting, 3/8 NPT x 1.12 inches, Models with Narrow or Rough Terrain Base	1				



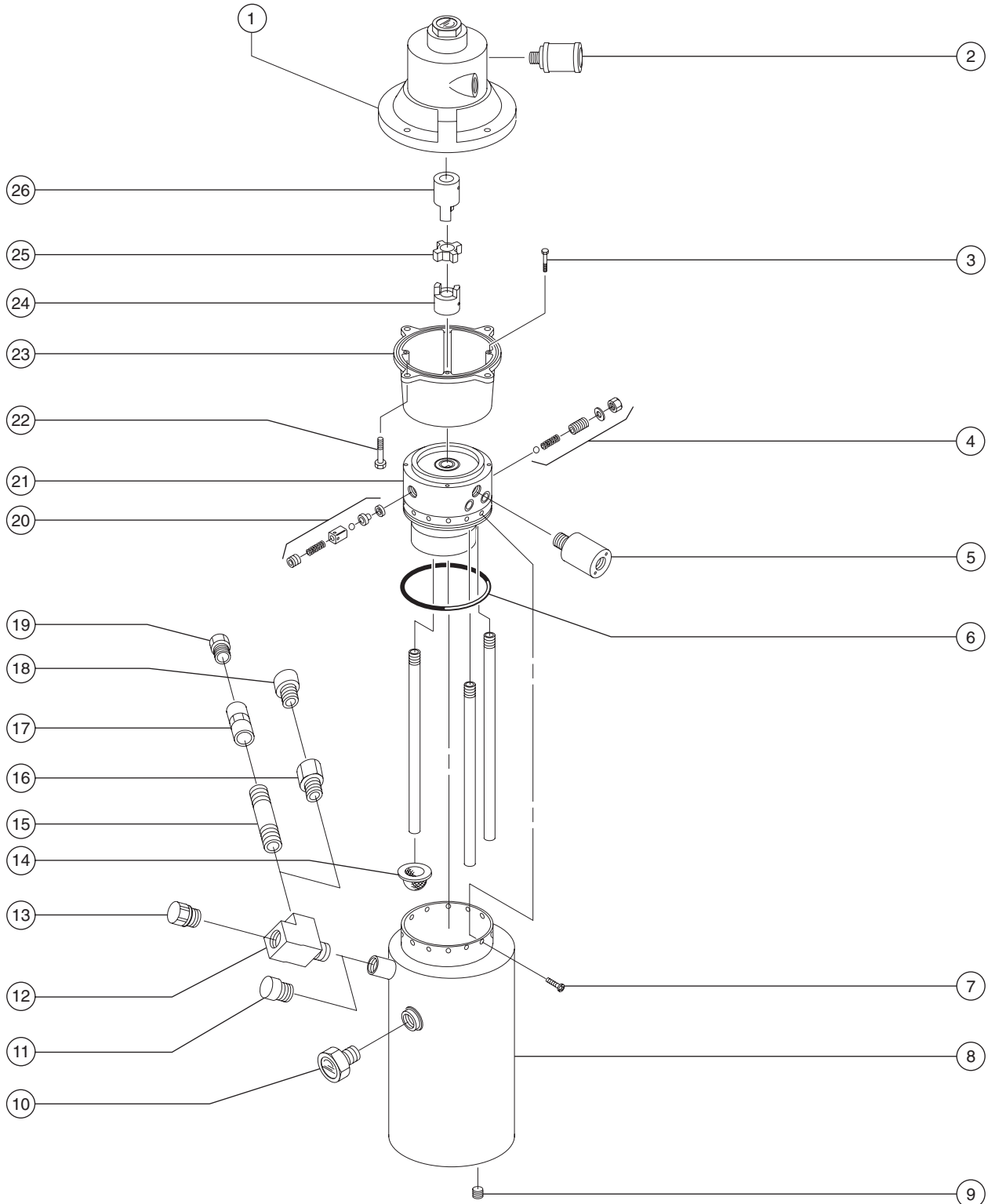
Figure 603.1 **Rev** B **Description** Hydraulic Power Unit, AC Models



Item	Part No.	Description	Qty.	Item	Part No.	Description	Qty.
—	100990	Hydraulic Power Unit, AC models		21	100255	Reservoir Breather Cap, Models with Narrow or Rough Terrain Base	1
1	38163	Motor, 115/230V AC, 50/60 Hz (includes item 25)	1	22	46051	Breather Cap, 3/8 NPT, Nickel Plated, Models with Narrow or Rough Terrain Base	1
2	45183	Screw - SHHC, 10-32 x 0.375 inch		23	38155	Check Valve Kit	1
3	40430	Capacitor Cover	1	24	38164	Hydraulic Pump (includes items 5, 9, 23 and 25)	1
4	40399	Capacitor, 400-480 MFD, 250V AC	1	25	40401	Motor Seal	1
5	38156	Relief Valve Kit	1	26	40400	Motor Bearing	1
6	100866	Valve - N.O. Solenoid (includes items 7 and 8)	1				
—	100867	Valve - Cartridge with Nut, N.O. Solenoid (includes item 7)					
7	100868	Coil, 10V DC	1				
8	100869	Coil Nut	1				
9	40318	Reservoir O-Ring	1				
10	21018	Screw - PHM, 10-24 x 0.38 inch					
11	85218	Plastic Reservoir with Decals, 3 Quarts / 2.84 Liters	1				
12	109802	Plug, Hex Socket	1				
13	38161	Sight Gauge	1				
14	100158	Reducer, Nylon, 3/4 NPT x 3/8 NPT, Models with Narrow or Rough Terrain Base	1				
15	40704	Fitting, 3/8 NPT, Models with Narrow or Rough Terrain Base	1				
16	48520	Valve Breather Cap, 3/8 NPT	2				
17	38160	Pick-up Filter	1				
18	48519	Check Valve, 3/8 NPT, Models with Narrow or Rough Terrain Base	1				
19	40706	Fitting - Adapter, 3/8 NPT, Models with Narrow or Rough Terrain Base	1				
20	46049	Fitting, 3/8 NPT x 1.12 inches, Models with Narrow or Rough Terrain Base	1				



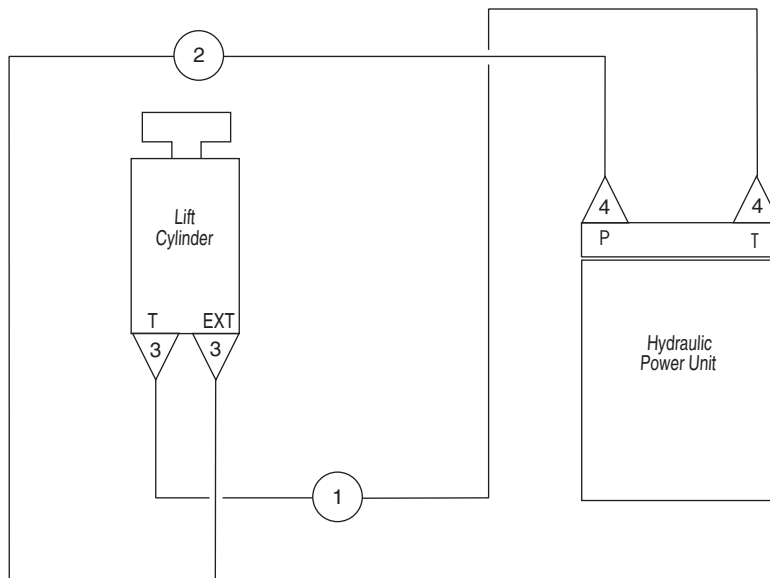
Figure 604.1 **Rev** B **Description** Hydraulic Power Unit, Air Powered Models



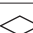


Item	Part No.	Description	Qty.	Item	Part No.	Description	Qty.
—	100088	Hydraulic Power Unit, Air Powered models		21	41929	Hydraulic Pump (includes items 4, 6 and 20)	1
1	41924	Air Motor	1	22	49857	Screw - HHC, 3/8 -16 x 0.88 inch, GR 5	
2	57191	Exhaust Muffler	1	23	41928	Pump/Motor Housing Adapter	1
3	12343	Screw - HHC, 1/4 -20 x 3 inches, GR 5		24	41927	Pump Side Coupling, 1/2 inch Bore	1
4	38156	Relief Valve Kit	1	25	41926	Spider Coupling, 33/64 inch Bore	1
5	41930	Valve - N.O., Air Pilot	1				
6	40318	Reservoir O-ring	1				
7	21018	Screw - PHM, 10-24 x 0.38 inch					
8	85218	Plastic Reservoir with Decals, 3 Quarts / 2.84 Liters	1				
9	109802	Plug, Hex Socket	1				
10	38161	Sight Gauge	1				
11	100158	Reducer, Nylon, 3/4 NPT x 3/8 NPT, Models with Narrow or Rough Terrain Base	1				
12	40704	Fitting, 3/8 NPT, Models with Narrow or Rough Terrain Base	1				
13	48520	Valve Breather Cap, 3/8 NPT	2				
14	38160	Pick-up Filter	1				
15	48519	Check Valve, 3/8 NPT, Models with Narrow or Rough Terrain Base	1				
16	40706	Fitting, 3/8 NPT, Models with Narrow or Rough Terrain Base	1				
17	46049	Fitting, 3/8 NPT x 1.12 inches, Models with Narrow or Rough Terrain Base	1				
18	100255	Reservior Breather Cap, Models with Narrow or Rough Terrain Base	1				
19	46051	Breather Cap, 3/8 NPT, Nickel Plated, Models with Narrow or Rough Terrain Base	1				
20	38155	Check Valve Kit	1				



Figure	Rev	Description
605.1	A	Hydraulic Hoses and Fittings

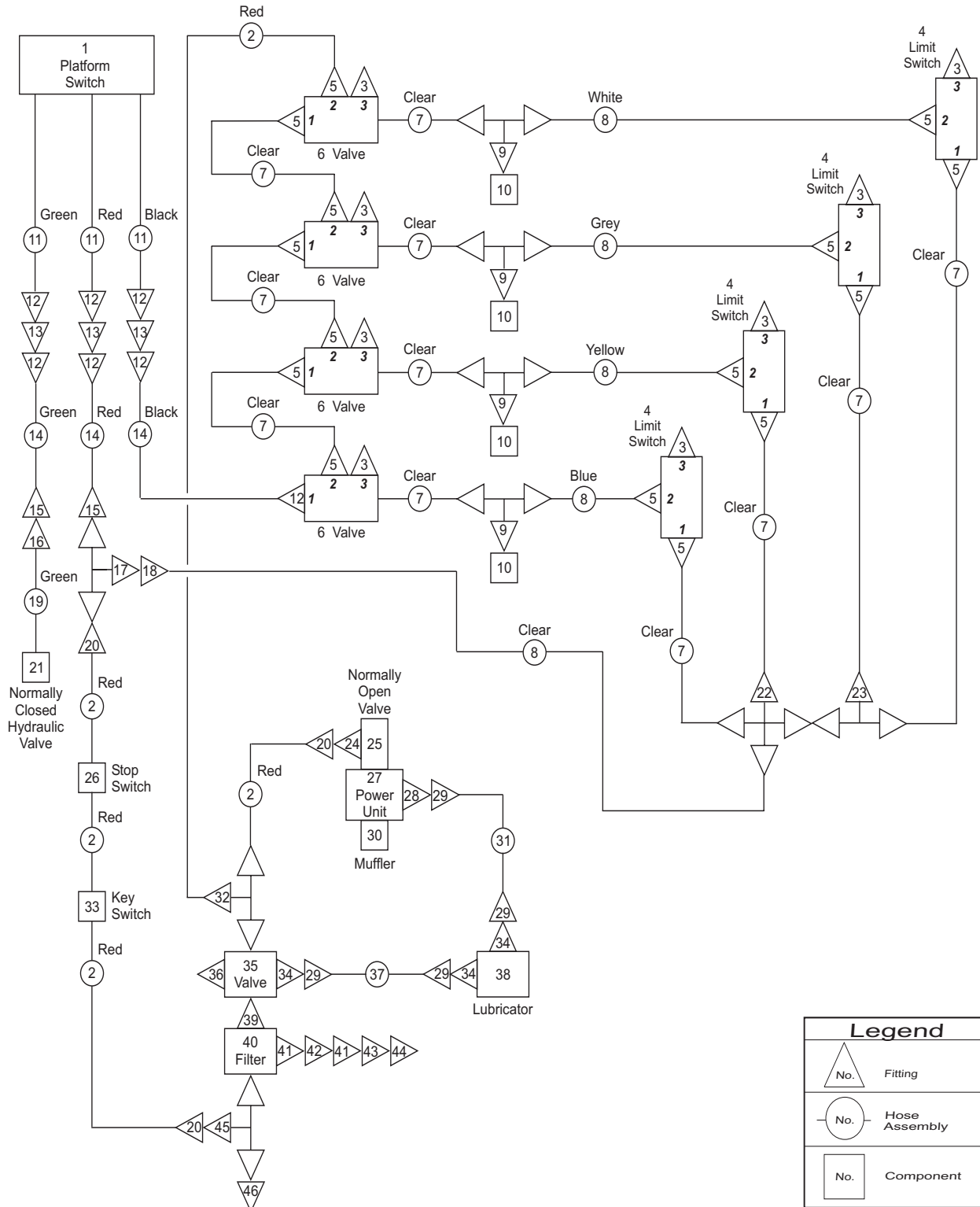


LEGEND	
	FITTING
	HOSE ASSEMBLY
	CONNECTOR

Item	Part No.	Description	Qty.
1	80623	Hose Assembly - Components: Genie part numbers 78855, 78855 and 78852 @ 62.4 inches	1
2	38606	Hose Assembly - Components: Genie part numbers 78855, 78855 and 78852 @ 125 inches	1
3	13755	Fitting	2
4	12340	Fitting	2

The length listed in the component description is the length of the hose only. Refer to 607.1 to cross-reference Genie part numbers to Parker part numbers.

Figure 606.1 **Rev** A **Description** Pneumatic Hoses and Fittings, Air Powered Models



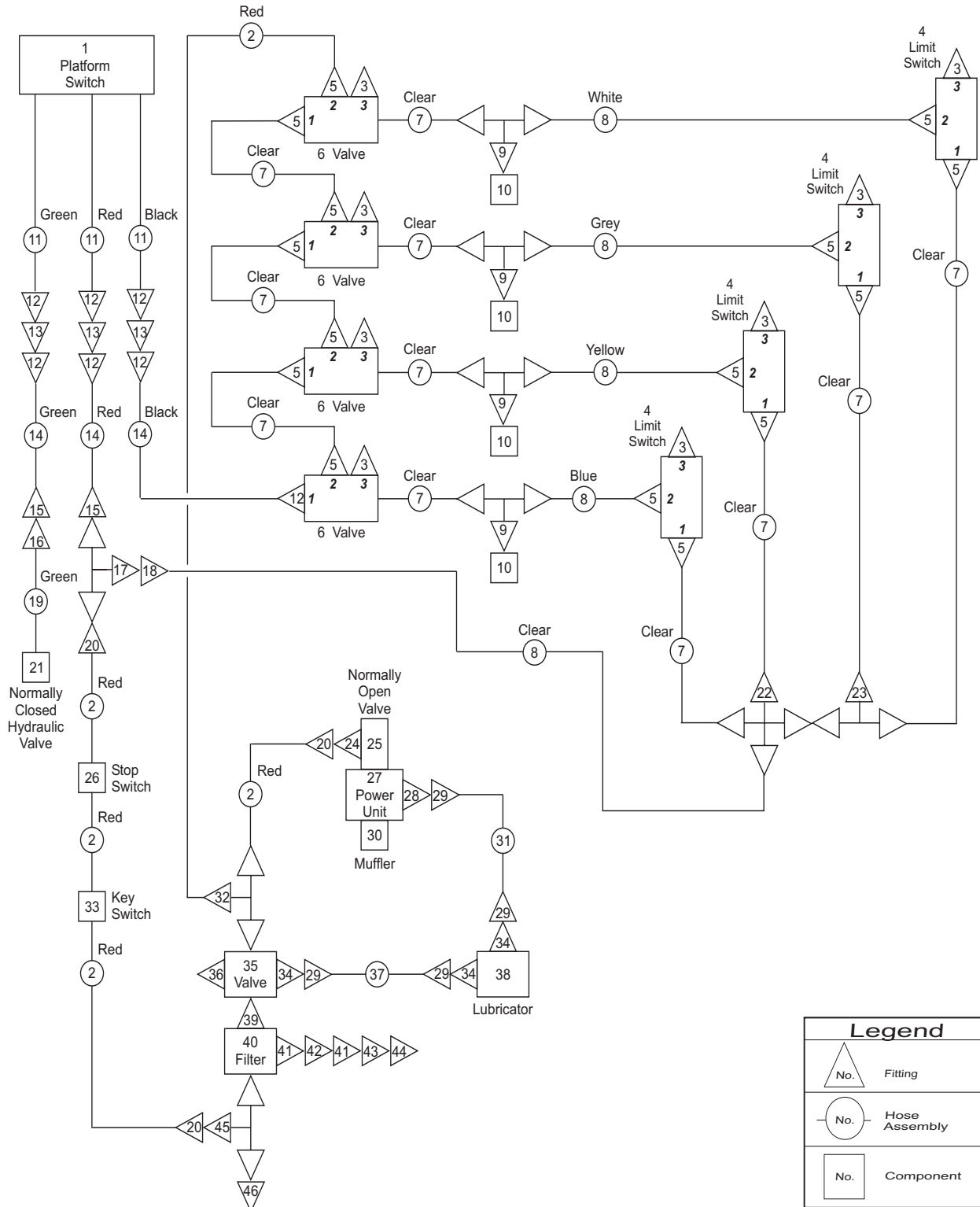
Legend	
	Fitting
	Hose Assembly
	Component

Item	Part No.	Description	Qty.	Item	Part No.	Description	Qty.
—	43077	Fitting, 1/16 Barb Union, Splice		19	41473	Green Hose, 1/4 inch, Nylon 3 inches	
1	Ref.	Platform Switch (refer to 501.1)		20	41469	Adapter Fitting, 1/8 inch MNPT x 5/32 inch Push-loc 3	
2	41470	Red Hose, 5/32 inch, Nylon 36 inches		21	40971	Manual Lowering Valve, 2 position 2 way, N.C. Poppet Air Pilot 1	
3	41476	Breather Vent, 10/32 inch 8		22	41484	Cross Fitting, 1/16 inch 1	
4	Ref.	Outrigger Interlock Bracket Assembly (refer to 201.1)		23	41485	Tee Fitting, 1/16 inch 1	
5	41477	Adapter Fitting, 10/32 x 1/16 inch Barb 15		24	41482	Street Elbow Fitting, 1/8 inch NPT 1	
6	40970	Valve, 2 position 3 way (includes mounting fasteners) 4		25	41930	Valve - N.O., Air Pilot 1	
7	41480	Clear Hose, 1/8 x 1/16 inch, Polyurethane 168 inches		26	Ref.	Push Button with Base - Red Mushroom Head (refer to 409.1) 1	
8	41483	Hose, 5 Tubes, 1/8 x 1/16 inch 108 inches		27	Ref.	Hydraulic Power Unit (refer to 604.1) 1	
9	41479	Branch Tee Fitting, 1/16 inch Barb x 10/32 inch 4		28	41467	Elbow Fitting, 1/4 inch MNPT x 1/2 inch Barb 1	
10	40973	Outrigger Indicator (includes mounting fasteners) 4		29	41462	Hose Clamp 4	
11	41377	Coiled Hose, 3 Tubes, AWP-30S 1		30	57191	Exhaust Muffler 1	
12	41465	Adapter Fitting, 10/32 x 1/8 inch Barb, AWP-30S 1		31	41463	Synflex Hose 17 inches	
13	41464	Bulkhead Fitting, 10/32 inch, AWP-30S 3		32	41481	Branch Tee Fitting, 5/32 inch Push x 1/8 inch Barb 1	
14	41949	Control Hose, 3 Tubes, AWP-30S		33	Ref.	Key Switch with Base (refer to 409.1) 1	
—	41955	Hose - Control, 3 Tubes, AWP-30S Models with Narrow or Rough Terrain Base		34	41461	Fitting, 90° Elbow, Brass, 1/2 inch MNPT x 1/2 inch Barb 3	
15	41471	Adapter Fitting, 1/8 inch MNPT x 1/8 inch Barb 2		35	41192	Air Valve, On/Off 1	
16	41472	Adapter Fitting, 1/8 inch FNPT x 1/4 inch Push 1		36	41486	Breather Vent, 3/4 inch NPT 1	
17	41475	Internal Tee Fitting, Brass, 1/8 NPT 1		37	41463	Synflex Hose 14 inches	
18	41474	Adapter Fitting, 1/8 inch MNPT x 1/16 inch Barb 1		38	41534	Lubricator 1	
				39	41195	Nipple Fitting, Hex, Brass, 1/2 inch NPT 1	
				40	69227	Filter/Regulator 1	

This parts list continues on the next page.



Figure 606.1 **Rev** A **Description** Pneumatic Hoses and Fittings, Air Powered Models



Legend	
	Fitting
	Hose Assembly
	Component



Item	Part No.	Description	Qty.
41	41459	Nipple Fitting, Brass, 3 inch x 1/2 inch 1	1
42	41460	Fitting, 90° Elbow, Brass, 1/2 inch NPT 1	1
43	41458	Connector, CP18, 1/2 inch FPT 1	1
44	41457	Hose Coupler, Automatic, 1/2 inch 1	1
45	41468	Tee Fitting, 1/8 inch 1	1
46	113000	Gauge, 2 inch Pressure 1	1



Figure 607.1 **Rev** B **Description** Hoses and Fittings, Cross Reference

Genie PN	Parker PN	Description	Genie PN	Parker PN	Description
12342	6-4 F5OX-S	CONNECTOR,STRAIGHT THREAD TO FLARE TUBE	42794	1 CR-S	ELBOW,90°,MALE PIPE
13757	4 R6X-S	RUN TEE,SWIVEL NUT,ORFS	42795	BV-0839	BALL VALVE
19685	12-10 C5OX-S	ELBOW,90°,STRAIGHT THREAD TO FLARE TUBE	42796	BV-0838	BALL VALVE
22664	12-10 C5OX	ELBOW,90°,STRAIGHT THREAD TO FLARE TUBE	42874	6-8 CLO-S	ELBOW,90°,MALE PIPE TO ORFS
27431	8-12 F5OX-S	CONNECTOR,STRAIGHT THREAD TO FLARE TUBE	42912	13943-6-4	HOSE END,90° FEMALE SWIVEL,JIC
28678	AS-B-33	SLEEVE,NYLON,1.81" ID	42920	BV-0840	BALL VALVE,90°
39871	6 WETX-WLN-S	UNION,90° BULKHEAD W/NUT,FLARE TUBE	42932	AS-B-17	SLEEVE,NYLON,1.22" ID
39872	4 R5OX-S	RUN TEE,STRAIGHT THREAD	42936	10243-2-4	HOSE END,FEMALE PIPE
39873	6 C5OX-S	ELBOW,90°,STRAIGHT THREAD TO FLARE TUBE	42953	1/2 DD-S	ELBOW,90°,FEMALE PIPE
39874	8-6 C5OX-S	ELBOW,90°,STRAIGHT THREAD TO FLARE TUBE	42956	6 WELO-WLNL-S	UNION,90° BULKHEAD W/NUT,ORFS
39875	4-6 C5OX-S	ELBOW,90°,STRAIGHT THREAD TO FLARE TUBE	45349	8 V5OX-S	ELBOW,45°,STRAIGHT THREAD TO FLARE TUBE
39876	6-8 C5OX-S	ELBOW,90°,STRAIGHT THREAD TO FLARE TUBE	45351	4 V5OX-S	ELBOW,45°,STRAIGHT THREAD TO FLARE TUBE
39877	4 F5OX-S	CONNECTOR,STRAIGHT THREAD TO FLARE TUBE	47223	10343-6-6	HOSE END,MALE,JIC
39878	6 F5OX-S	CONNECTOR,STRAIGHT THREAD TO FLARE TUBE	47419	PS690503-6-6	SWIVEL,90°,STRAIGHT THREAD TO 37° FLARE
39879	4-8 F5OX-S	CONNECTOR,STRAIGHT THREAD TO FLARE TUBE	48750	421-4	HOSE,1/4 INCH ID
39880	6-10 F5OX-S	CONNECTOR,STRAIGHT THREAD TO FLARE TUBE	48751	481TC-4	HOSE,1/4 INCH ID
39881	4-6 F5OX-S	CONNECTOR,STRAIGHT THREAD TO FLARE TUBE	48752	482TC-4	HOSE,1/4 INCH ID
39882	4-HP5ON-S	PLUG,STRAIGHT THREAD	48753	451TC-6	HOSE,3/8 INCH ID
39883	8-8 FTX-S	CONNECTOR,MALE PIPE TO FLARE TUBE	48754	482TC-6	HOSE,3/8 INCH ID
39885	269HB 12-12	ELBOW,90°,BEADED HOSE BARB TO MALE PIPE	48755	381-6	HOSE,3/8 INCH ID
39886	431-6	HOSE,3/8 INCH ID	48756	451TC-8	HOSE,1/2 INCH ID
39887	540N-2	HOSE,1/8 INCH ID	48757	482TC-8	HOSE,1/2 INCH ID
39888	801-8	HOSE,1/2 INCH ID	48758	381-8	HOSE,1/2 INCH ID
39889	801-12	HOSE,3/4 INCH ID	48759	381-10	HOSE,5/8 INCH ID
39890	10643-6-6	HOSE END,FEMALE SWIVEL,JIC	48760	451TC-10	HOSE,5/8 INCH ID
39891	13943-6-6	HOSE END,90° FEMALE SWIVEL,JIC	48761	482TC-12	HOSE,3/4 INCH ID
39892	13743-6-6	HOSE END,45° FEMALE SWIVEL,JIC	48762	451TC-12	HOSE,3/4 INCH ID
39894	30682-8-8	HOSE END,FEMALE SWIVEL,JIC	48763	772-12	HOSE,3/4 INCH ID
39895	30682-10-12	HOSE END,FEMALE SWIVEL,JIC	48764	881-16	HOSE,1 INCH ID
42286	8-8 CTX-S	ELBOW,90°,MALE PIPE TO FLARE TUBE	48765	772-16	HOSE,1 INCH ID
42756	8-12 CLO-S	ELBOW,90,MALE PIPE TO ORFS	48766	AS-B-15	SLEEVE,NYLON,1.06" ID
42757	8-12 FLO-S	CONNECTOR,MALE PIPE TO ORFS	48767	AS-B-22	SLEEVE,NYLON,1.42" ID
42758	4 JLO-S	UNION TEE,ORFS	48770	881-8	HOSE,1/2 INCH ID
42759	4-4 FLO-S	CONNECTOR,MALE PIPE TO ORFS	48771	881-10	HOSE,5/8 INCH ID
42760	6-8 FLO-S	CONNECTOR,MALE PIPE TO ORFS	48772	381-4	HOSE,1/4 INCH ID
42761	1J143-6-4	HOSE END,90° FEMALE SWIVEL,SEAL LOK	48773	AS-B-13	SLEEVE,NYLON,.86" ID
42762	1J743-6-4	HOSE END,45° FEMALE SWIVEL,SEAL LOK	48800	1JC43-4-4	HOSE END,FEMALE SWIVEL,SEAL LOK
42768	1JO43-4-4	HOSE END,MALE,SEAL LOK	48801	1J743-4-4	HOSE END,45° FEMALE SWIVEL,SEAL LOK
42776	601-8	HOSE,1/2 INCH ID	48802	1J943-4-4	HOSE END,90° FEMALE SWIVEL,SEAL LOK
42777	1J743-16-16	HOSE END,45° FEMALE SWIVEL,SEAL LOK	48804	1JM43-4-4	HOSE END,MALE,SEAL LOK, NO O-RING
42786	16 CLO-S	ELBOW,90°,MALE PIPE TO ORFS	48805	10643-4-4	HOSE END,FEMALE SWIVEL,JIC
42787	16 R6LO-S	RUN TEE,SWIVEL NUT,ORFS	48806	13943-4-4	HOSE END,90° FEMALE SWIVEL,JIC
42788	16-8 TRLO-BL-S	REDUCER,TUBE END TO SWIVEL,ORFS	48807	1JS43-4-4	HOSE END,FEMALE SWIVEL,SEAL LOK
42789	6-6 CLO-S	ELBOW,90°,MALE PIPE TO ORFS	48808	3JC82-8-8	HOSE END,FEMALE SWIVEL,SEAL LOK
42790	8-10 V5OLO-S	ELBOW,45°,STRAIGHT THREAD TO ORFS	48809	3JC82-12-12	HOSE END,FEMALE SWIVEL,SEAL LOK
42791	3/4 CD-S	ELBOW,90°,MALE TO FEMALE PIPE	48810	1JC43-6-4	HOSE END,FEMALE SWIVEL,SEAL LOK
42792	3/4 X 1/2 PTR-S	REDUCER,MALE TO FEMALE PIPE	48811	1J943-6-4	HOSE END,90° FEMALE SWIVEL,SEAL LOK
42793	1/2 CR-S	ELBOW,90°,MALE PIPE	48812	1JC43-6-6	HOSE END,FEMALE SWIVEL,SEAL LOK

607.1
Hoses and Fittings, Cross Reference Rev B

Genie PN	Parker PN	Description	Genie PN	Parker PN	Description
48813	1J143-6-6	HOSE END,90° FEMALE SWIVEL,SEAL LOK	48875	6 R6LO-S	RUN TEE,SWIVEL NUT,ORFS
48814	1J543-6-6	HOSE END,90° FEMALE SWIVEL,SEAL LOK	48878	16-12 C5OLO-S	ELBOW,90°,STRAIGHT THREAD TO ORFS
48815	1J743-6-6	HOSE END,45° FEMALE SWIVEL,SEAL LOK	48879	8 C6LO-S	ELBOW,90°,SWIVEL NUT ORFS
48816	1J943-6-6	HOSE END,90° FEMALE SWIVEL,SEAL LOK	48880	PD6-285	CAP,DIAGNOSTIC NIPPLE
48817	1JS43-6-8	HOSE END,FEMALE SWIVEL,SEAL LOK	48881	6 HLO-S	UNION,ORFS
48818	1J943-8-4	HOSE END,90° FEMALE SWIVEL,SEAL LOK	48882	PD34BTL	DIAGNOSTIC NIPPLE,SEAL-LOK SWIVEL
48819	1JC43-8-6	HOSE END,FEMALE SWIVEL,SEAL LOK	48883	8 P5ON-S	PLUG,STRAIGHT THREAD
48820	1J743-8-6	HOSE END,45° FEMALE SWIVEL,SEAL LOK	48885	4 WGTX-WLN-S	CONNECTOR,BULKHEAD,FEMALE PIPE TO FLARE TUBE
48821	1J943-8-6	HOSE END,90° FEMALE SWIVEL,SEAL LOK	48887	4 CTX-S	ELBOW,90°,MALE PIPE TO FLARE TUBE
48822	1JC43-8-8	HOSE END,FEMALE SWIVEL,SEAL LOK	48888	10-12 V5OLO-S	ELBOW,45°,STRAIGHT THREAD TO ORFS
48823	1JS43-8-8	HOSE END,FEMALE SWIVEL,SEAL LOK	48890	4 S5OLO-S	BRANCH TEE,STRAIGHT THREAD TO ORFS
48824	1J143-8-8	HOSE END,90° FEMALE SWIVEL,SEAL LOK	48891	4 S6LO-S	BRANCH TEE,SWIVEL NUT TO ORFS
48825	1J543-8-8	HOSE END,90° FEMALE SWIVEL,SEAL LOK	48892	6 C6LO-S	ELBOW,90°,SWIVEL NUT ORFS
48826	1J743-8-8	HOSE END,45° FEMALE SWIVEL,SEAL LOK	48893	6 F5OHAO-S	UNION,STRAIGHT THREAD
48827	1J943-8-8	HOSE END,90° FEMALE SWIVEL,SEAL LOK	48894	8 WLO-WLNL-S	UNION,BULKHEAD,ORFS
48828	1JC43-10-8	HOSE END,FEMALE SWIVEL,SEAL LOK	48895	DT-370-MSMO-5	VALVE,CHECK
48829	1JS43-10-8	HOSE END,FEMALE SWIVEL,SEAL LOK	48896	6 JLO-S	UNION,TEE,ORFS
48830	1J743-10-8	HOSE END,45° FEMALE SWIVEL,SEAL LOK	48897	DT-750-MSMS-5	VALVE,CHECK
48831	1J943-10-8	HOSE END,90° FEMALE SWIVEL,SEAL LOK	48898	DT-750-MOMS-5	VALVE,CHECK
48833	1JC43-10-10	HOSE END,FEMALE SWIVEL,SEAL LOK	48899	DT-620-MOMS-5	VALVE,CHECK
48834	1J943-10-10	HOSE END,90° FEMALE SWIVEL,SEAL LOK	48902	16-1 AOE4G-S	ELBOW,90° LONG,FEMALE PIPE TO STRAIGHT THREAD
48835	1JS43-10-12	HOSE END,FEMALE SWIVEL,SEAL LOK	48903	1 FF-S	NIPPLE,PIPE
48836	1JC43-12-8	HOSE END,FEMALE SWIVEL,SEAL LOK	48904	4 C5OLO-S	ELBOW,90°,STRAIGHT THREAD TO ORFS
48837	1JS43-12-8	HOSE END,FEMALE SWIVEL,SEAL LOK	48905	4 F5OLO-S	CONNECTOR,STRAIGHT THREAD TO ORFS
48838	1J743-12-8	HOSE END,45° FEMALE SWIVEL,SEAL LOK	48906	4 R5OLO-S	RUN TEE,STRAIGHT THREAD
48839	1J943-12-8	HOSE END,90° FEMALE SWIVEL,SEAL LOK	48907	4 V5OLO-S	ELBOW,45°,STRAIGHT THREAD TO ORFS
48840	1J943-12-10	HOSE END,90° FEMALE SWIVEL,SEAL LOK	48908	4 R6LO-S	RUN TEE,SWIVEL NUT,ORFS
48841	1JC43-12-12	HOSE END,FEMALE SWIVEL,SEAL LOK	48911	4-6 C5OLO-S	ELBOW,90°,STRAIGHT THREAD TO ORFS
48842	1JO43-12-12	HOSE END,MALE,SEAL LOK	48912	4-6 F5OLO-S	CONNECTOR,STRAIGHT THREAD TO ORFS
48843	1J143-12-12	HOSE END,90° FEMALE SWIVEL,SEAL LOK	48914	4-8 F5OLO-S	CONNECTOR,STRAIGHT THREAD TO ORFS
48844	1J543-12-12	HOSE END,90° FEMALE SWIVEL,SEAL LOK	48915	6 C5OLO-S	ELBOW,90°,STRAIGHT THREAD TO ORFS
48845	1J743-12-12	HOSE END,45° FEMALE SWIVEL,SEAL LOK	48916	6 F5OLO-S	CONNECTOR,STRAIGHT THREAD TO ORFS
48846	1J943-12-12	HOSE END,90° FEMALE SWIVEL,SEAL LOK	48917	6 FF5OLO-S	CONNECTOR,LONG,STRAIGHT THREAD TO ORFS
48847	13943-12-12	HOSE END,90° FEMALE SWIVEL,JIC	48918	6 R5OLO-S	RUN TEE,STRAIGHT THREAD
48848	10543-12-12	HOSE END,MALE,STRAIGHT THREAD	48919	6 S5OLO-S	BRANCH TEE,STRAIGHT THREAD TO ORFS
48849	1JC71-12-12	HOSE END,FEMALE SWIVEL,SEAL LOK	48920	6 V5OLO-S	ELBOW,45°,STRAIGHT THREAD TO ORFS
48850	1JS71-12-12	HOSE END,FEMALE SWIVEL,SEAL LOK	48921	6 FLO-S	CONNECTOR,MALE PIPE TO ORFS
48851	1J171-12-12	HOSE END,90° FEMALE SWIVEL,SEAL LOK	48922	6-6 FLO-S	CONNECTOR,MALE PIPE TO ORFS
48852	1J771-12-12	HOSE END,45° FEMALE SWIVEL,SEAL LOK	48923	6 P5ON-S	PLUG,STRAIGHT THREAD
48853	1J971-12-12	HOSE END,90° FEMALE SWIVEL,SEAL LOK	48925	6 WELO-S	UNION,90° BULKHEAD,ORFS
48854	1JC43-16-16	HOSE END,FEMALE SWIVEL,SEAL LOK	48926	6-4 C5OLO-S	ELBOW,90°,STRAIGHT THREAD TO ORFS
48855	1J943-16-16	HOSE END,90° FEMALE SWIVEL,SEAL LOK	48927	6-4 F5OLO-S	CONNECTOR,STRAIGHT THREAD TO ORFS
48856	1J171-16-16	HOSE END,90° FEMALE SWIVEL,SEAL LOK	48928	6-4 V5OLO-S	ELBOW,45°,STRAIGHT THREAD TO ORFS
48857	1J971-16-16	HOSE END,90° FEMALE SWIVEL,SEAL LOK	48929	6-8 C5OLO-S	ELBOW,90°,STRAIGHT THREAD TO ORFS
48859	1JS43-8-4	HOSE END,FEMALE SWIVEL,SEAL LOK	48930	6-8 F5OLO-S	CONNECTOR,STRAIGHT THREAD TO ORFS
48867	PD36BTL	DIAGNOSTIC NIPPLE,SEAL-LOK SWIVEL	48931	6-10 F5OLO-S	CONNECTOR,STRAIGHT THREAD TO ORFS
48873	6 PNLO-S	PLUG,TUBE END,ORFS			
48874	6 PNXX-S	PLUG,FLARE TUBE			

Figure 607.1 **Rev** B **Description**
Hoses and Fittings, Cross Reference

Genie PN	Parker PN	Description	Genie PN	Parker PN	Description
48932	8 C5OLO-S	ELBOW,90°,STRAIGHT THREAD TO ORFS	48983	16 C5OLO-S	ELBOW,90°,STRAIGHT THREAD TO ORFS
48933	8 F5OLO-S	CONNECTOR,STRAIGHT THREAD TO ORFS	48984	16 F5OLO-S	CONNECTOR,STRAIGHT THREAD TO ORFS
48934	8 FF5OLO-S	CONNECTOR,LONG,STRAIGHT THREAD TO ORFS	48985	16 V5OLO-S	ELBOW,45°,STRAIGHT THREAD TO ORFS
48935	8 R5OLO-S	RUN TEE,STRAIGHT THREAD	48986	16 FLO-S	CONNECTOR,MALE PIPE TO ORFS
48936	8 S5OLO-S	BRANCH TEE,STRAIGHT THREAD TO ORFS	48988	16 CD45-S	ELBOW,45°,MALE TO FEMALE PIPE
48937	8 V5OLO-S	ELBOW,45°,STRAIGHT THREAD TO ORFS	48989	12 CD45-S	ELBOW,45°,MALE TO FEMALE PIPE
48938	8 R6LO-S	RUN TEE,SWIVEL NUT,ORFS	48990	8 CD45-S	ELBOW,45°,MALE TO FEMALE PIPE
48939	8 S6LO-S	BRANCH TEE,SWIVEL NUT TO ORFS	48991	16-12 FLO-S	CONNECTOR,MALE PIPE TO ORFS
48941	8-4 TRLO-S	REDUCER,TUBE END TO SWIVEL,ORFS	48992	16-12 V5OLO-S	ELBOW,45°,STRAIGHT THREAD TO ORFS
48942	8-6 C5OLO-S	ELBOW,90°,STRAIGHT THREAD TO ORFS	48993	XV501-12	BALL VALVE
48943	8-6 F5OLO-S	CONNECTOR,STRAIGHT THREAD TO ORFS	48994	XV501-16	BALL VALVE
48944	8-8 FLO-S	CONNECTOR,MALE PIPE TO ORFS	48995	XV510P-12	BALL VALVE
48945	8 FTX-S	CONNECTOR,MALE PIPE TO FLARE TUBE	48996	XV510P-16	BALL VALVE
48946	8-10 F5OLO-S	CONNECTOR,STRAIGHT THREAD TO ORFS	48997	PD341	DIAGNOSTIC NIPPLE, STRAIGHT THREAD
48947	8-12 C5OLO-S	ELBOW,90°,STRAIGHT THREAD TO ORFS	48998	PD 361	DIAGNOSTIC NIPPLE, STRAIGHT THREAD
48948	8-12 F5OLO-S	CONNECTOR,STRAIGHT THREAD TO ORFS	48999	DT-500-MOMS-5	VALVE,CHECK
48949	8-16 F5OLO-S	CONNECTOR,STRAIGHT THREAD TO ORFS	49201	10 V5OLO-S	ELBOW,45°,STRAIGHT THREAD TO ORFS
48950	10 C5OLO-S	ELBOW,90°,STRAIGHT THREAD TO ORFS	49202	1JC43-12-10	HOSE END,FEMALE SWIVEL,SEAL LOK
48951	10 CC5OLO-S	ELBOW,90° LONG,STRAIGHT THREAD TO ORFS	49203	10-8 V5OLO-S	ELBOW,45°,STRAIGHT THREAD TO ORFS
48952	10 F5OLO-S	CONNECTOR,STRAIGHT THREAD TO ORFS	49205	6 F5OHAO-S	UNION,STRAIGHT THREAD
48953	10 R5OLO-S	RUN TEE,STRAIGHT THREAD	49207	PD34BTL	DIAGNOSTIC NIPPLE,SEAL-LOK SWIVEL
48954	10 S5OLO-S	BRANCH TEE,STRAIGHT THREAD TO ORFS	49209	8M18F870MX-S	CONNECTOR,METRIC,STRAIGHT THREAD TO FLARE TUBE
48955	10 R6LO-S	RUN TEE,SWIVEL NUT,ORFS	49212	8 WGTX-WLN-S	CONNECTOR,BULKHEAD,FEMALE PIPE TO FLARE TUBE
48956	10-4 TRLO-BL-S	REDUCER,TUBE END TO SWIVEL,ORFS	49213	30682-8-8	HOSE END,FEMALE SWIVEL,JIC
48957	10-6 TRLO-BL-S	REDUCER,TUBE END TO SWIVEL,ORFS	49216	831-8	HOSE,1/2 INCH ID
48958	10-12 F5OLO-S	CONNECTOR,STRAIGHT THREAD TO ORFS	49217	33982-8-8	HOSE END,90° FEMALE SWIVEL,JIC
48959	12 C5OLO-S	ELBOW,90°,STRAIGHT THREAD TO ORFS	49219	PS-B-35	SLEEVE,NYLON,2.19" ID
48960	12 F5OLO-S	CONNECTOR,STRAIGHT THREAD TO ORFS	49418	4-6 V5OLO-S	ELBOW,45°,STRAIGHT THREAD TO ORFS
48961	12 R5OLO-S	RUN TEE,STRAIGHT THREAD	49511	DT370-MOMS-5	VALVE,CHECK
48962	12 S5OLO-S	BRANCH TEE,STRAIGHT THREAD TO ORFS	49512	1 DD-S	ELBOW,90°,FEMALE PIPE
48963	12 V5OLO-S	ELBOW,45°,STRAIGHT THREAD TO ORFS	49513	1 FF-S	NIPPLE,PIPE
48964	12 R6LO-S	RUN TEE,SWIVEL NUT,ORFS	49514	10 HP5ON-S	PLUG,STRAIGHT THREAD
48965	12 CLO-S	ELBOW,90°,MALE PIPE TO ORFS	49515	12-16 CLO-S	ELBOW,90°,MALE PIPE TO ORFS
48966	12 FLO-S	CONNECTOR,MALE PIPE TO ORFS	109802	6 HP5ON-S	PLUG,STRAIGHT THREAD
48967	12 JLO-S	UNION TEE,ORFS	49519	16-12 F5OLO-S	CONNECTOR,STRAIGHT THREAD TO ORFS
48968	12 WLO-WLNL-S	UNION,BULKHEAD,ORFS	49520	4 VTX-S	ELBOW,45°,MALE PIPE TO FLARE TUBE
48969	12 WJLO-WLNL-S	RUN TEE, BULKHEAD,ORFS	49530	16 C6LO-S	ELBOW,90°,SWIVEL NUT ORFS
48970	12 WELO-WLNL-S	UNION,90° BULKHEAD W/NUT,ORFS	49612	PKT02586	O-RING KIT (ORFS FITTINGS)
48971	12 G5G5JG5-S	TEE,FEMALE STRAIGHT THREAD	49613	PKT06276	PLUG AND CAP KIT-SERVICE,ORFS
48972	12 XHL6-S	ADAPTER, 37° MALE TO SWIVEL ORFS	49728	10143-12-12	HOSE END, MALE PIPE
48973	12-1/2 F5OG-S	ADAPTER,FEMALE PIPE TO STRAIGHT THREAD	49729	16-1 F5OG-S	ADAPTER,FEMALE PIPE TO STRAIGHT THREAD
48974	12-10 C5OLO-S	ELBOW,90°,STRAIGHT THREAD TO ORFS	49814	12-8 FLO-S	CONNECTOR,MALE PIPE TO ORFS
48975	12-10 F5OLO-S	CONNECTOR,STRAIGHT THREAD TO ORFS	49831	881-12	HOSE,3/4 INCH ID
48976	12-16 C5OLO-S	ELBOW,90°,STRAIGHT THREAD TO ORFS	49834	16 JLO-S	UNION TEE,ORFS
48977	12-16 F5OLO-S	CONNECTOR,STRAIGHT THREAD TO ORFS	49838	12-8 TRLO-BL-S	REDUCER,TUBE END TO SWIVEL,ORFS
48978	12-16 V5OLO-S	ELBOW,45°,STRAIGHT THREAD TO ORFS			
48980	12-16 FLO-S	CONNECTOR,MALE PIPE TO ORFS			

607.1
Hoses and Fittings, Cross Reference Rev B

Genie PN	Parker PN	Description	Genie PN	Parker PN	Description
49840	8 JLO-S	UNION TEE,ORFS	56234	2-012	O-RING,ORFS,-6
49844	10-8 TRLO-BL-S	REDUCER,TUBE END TO SWIVEL,ORFS	56235	2-014	O-RING,ORFS,-8
49854	8 P5ON-S	PLUG,STRAIGHT THREAD	56236	2-016	O-RING,ORFS,-10
49855	1JC43-16-12	HOSE END,FEMALE SWIVEL,SEAL LOK	56237	2-018	O-RING,ORFS,-12
49859	4 P5ON-S	PLUG,STRAIGHT THREAD	56238	2-021	O-RING,ORFS,-16
49861	4 FF5OLO-S	CONNECTOR,LONG,STRAIGHT THREAD TO ORFS	56352	6 WLNL-S	LOCKNUT,BULKHEAD
49867	12-3/4 F5OG-S	ADAPTER,FEMALE PIPE TO STRAIGHT THREAD	56353	3J782-12-12	HOSE END,45° FEMALE SWIVEL,SEAL LOK
51152	6 R6X-S	RUN TEE,SWIVEL NUT,ORFS	56354	3J982-12-12	HOSE END,90° FEMALE SWIVEL,SEAL LOK
51153	6-4 TRTX-S	REDUCER,TUBE END TO SWIVEL,ORFS	56604	10-8 F5OLO-S	CONNECTOR,STRAIGHT THREAD TO ORFS
51154	4-4 GTX	CONNECTOR,FEMALE PIPE TO FLARE TUBE	56639	3JC82-10-10	HOSE END,FEMALE SWIVEL,SEAL LOK
51264	881-12	HOSE,3/4 INCH ID	56640	3J982-10-10	HOSE END,90° FEMALE SWIVEL,SEAL LOK
51265	8 JLO-S	UNION TEE,ORFS	56655	3JC82-8-10	HOSE END,FEMALE SWIVEL,SEAL LOK
51508	6 BTX-S	NUT,FLARE TUBE	56676	10-8 C5OLO-S	ELBOW,90°,STRAIGHT THREAD TO ORFS
51580	12-8 TRLO-BL-S	TUBE END REDUCER,ORFS	56776	471TC-6	HOSE,3/8 INCH ID
51628	6 R6X-S	RUN TEE,SWIVEL NUT,ORFS	56777	471TC-8	HOSE,1/2 INCH ID
51735	3/8 HHP	PLUG,PIPE THREAD	56789	811-16	HOSE,1 INCH ID
51803	1J943-6-8	HOSE END,90° FEMALE SWIVEL,SEAL LOK	57884	3/8 FF	NIPPLE,PIPE
53023	125HBL-5-4	FITTING,HOSE BARB TO MALE PIPE	59335	6 FNL-S	CAP, TUBE END
53497	PKT02585	O-RING KIT	59342	4 FNL-S	CAP, TUBE END
53499	1JC71-16-16	HOSE END,FEMALE SWIVEL,SEAL LOK	59371	8 HP5ON-S	PLUG,STRAIGHT THREAD
53500	3-904	O-RING,STRAIGHT THREAD,-4	60653	BV-0751	BALL VALVE
53501	3-906	O-RING,STRAIGHT THREAD,-6	60806	125HB-3-4	FITTING,HOSE BARB TO MALE PIPE
53502	3-908	O-RING,STRAIGHT THREAD,-8	61064	5-1/4 F5OG-S	ADAPTER,FEMALE PIPE TO STRAIGHT THREAD
53503	3-910	O-RING,STRAIGHT THREAD,-10	61079	4 WELO-WLNL-S	UNION,90° BULKHEAD W/NUT,ORFS
53535	3-912	O-RING,STRAIGHT THREAD,-12	61080	6 WLO-WLNL-S	UNION,BULKHEAD,ORFS
53536	4-PNLO-S	PLUG,TUBE END,ORFS	61083	24 F5OLO-S	CONNECTOR,STRAIGHT THREAD TO ORFS
53537	6 PNLO-S	PLUG,TUBE END,ORFS	61086	20 R5OLO-S	RUN TEE,STRAIGHT THREAD
53538	8 PNLO-S	PLUG,TUBE END,ORFS	61090	24-20 F5OLO-S	CONNECTOR,STRAIGHT THREAD TO ORFS
53539	10 PNLO-S	PLUG,TUBE END,ORFS	61091	1J943 24-24	HOSE END,90° FEMALE SWIVEL,SEAL LOK
53540	12 PNLO-S	PLUG,TUBE END,ORFS	61093	1J978-12-12	HOSE END,90° FEMALE SWIVEL,JIC
53946	129HB-5-4	FITTING,90° HOSE BARB TO MALE PIPE	61095	1JS43-20-16	HOSE END,FEMALE SWIVEL,SEAL LOK
53951	8-1/4F50G-S	ADAPTER,FEMALE PIPE TO STRAIGHT THREAD	61100	811-24	HOSE,1 1/2 INCH ID
53980	6 S6LO-S	BRANCH TEE,SWIVEL NUT TO ORFS	61130	1JS43-24-24	HOSE END,FEMALE SWIVEL,SEAL LOK
54132	4 C6LO-S	ELBOW,90°,SWIVEL NUT ORFS	61131	1JS78 12-12	HOSE END,FEMALE SWIVEL,SEAL LOK
54135	11343-16-16	HOSE END,MALE SWIVEL,PIPE	61132	1J778-12-12	HOSE END,45° FEMALE SWIVEL,JIC
54283	8-10 C5OLO-S	ELBOW,90°,STRAIGHT THREAD TO ORFS	61152	139HB-6-4	ELBOW,45°,BARB TO MALE PIPE
54428	8M18C87OMLO-S	ELBOW, 90° METRIC, STRAIGHT THREAD TO ORFS	61251	BV-0750	BALL VALVE
54803	FS-F-16-10	SLEEVE,FIRE,.96" ID	61259	4 CC5OLO-S	ELBOW,90° LONG,STRAIGHT THREAD TO ORFS
54954	10143-2-4	HOSE END, MALE PIPE	61260	20-12 TRLO-BL	REDUCER,TUBE END TO SWIVEL,ORFS
55190	3/8 HP-S	PLUG,PIPE THREAD	61262	12 C6LO-S	ELBOW,90°,SWIVEL NUT ORFS
55448	8 HLO-S	UNION,ORFS	61263	20 F5OHAO-S	UNION,STRAIGHT THREAD
55839	6 F65OX-S	CONNECTOR,STRAIGHT THREAD TO 37° SWIVEL	61264	6-10 C5OLO-S	ELBOW,90°,STRAIGHT THREAD TO ORFS
55968	10 C5OX-S	ELBOW,90°,STRAIGHT THREAD TO FLARE TUBE	61265	6 WNLO-WLNL-S	UNION,BULKHEAD 45°,ORFS
56003	6 CC5OLO-S	ELBOW,90° LONG,STRAIGHT THREAD TO ORFS	61268	4 WNLO-WLNL-S	UNION,BULKHEAD 45°,ORFS
56166	BV-0837	BALL VALVE,90°	61269	4 WLO-WLNL-S	UNION,BULKHEAD,ORFS
56188	10143-8-6	HOSE END, MALE PIPE	61272	12 AOEL6	ELBOW,90°,STRAIGHT THREAD TO ORFS SWIVEL
56233	2-011	O-RING,ORFS,-4			

Figure **Rev** **Description**
607.1 B Hoses and Fittings, Cross Reference

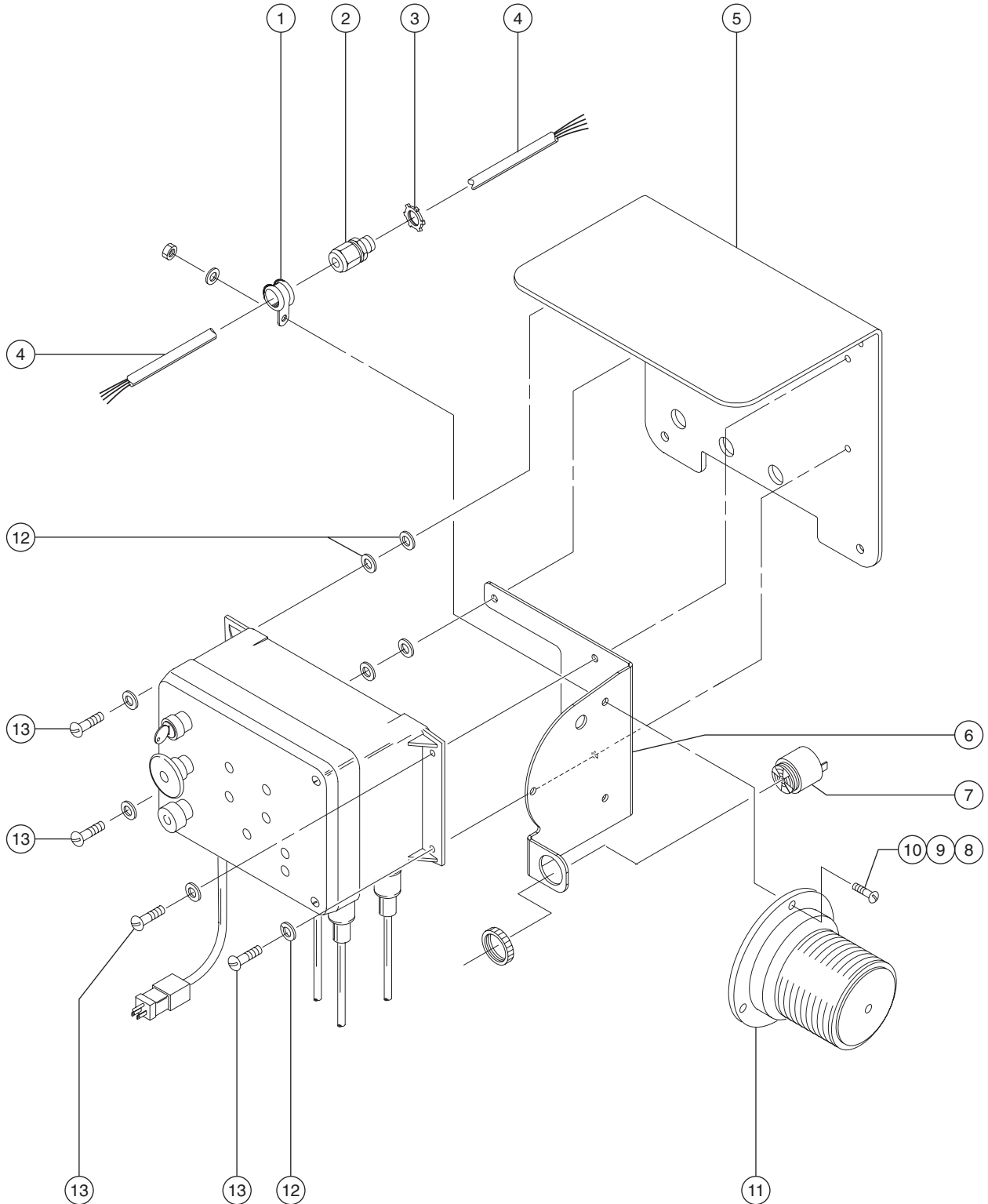
Genie PN	Parker PN	Description	Genie PN	Parker PN	Description
61316	482TC-16	HOSE,1 INCH ID	75042	8 WELO-WLNL-S	UNION,90° BULKHEAD W/NUT,ORFS
61321	6 JLO-S	UNION TEE,ORFS	75043	3/4 FF-S	NIPPLE,PIPE
61327	782-12	HOSE,3/4 INCH ID	75254	24 F5OHAO-S	UNION,STRAIGHT THREAD
61328	881-24	HOSE,1 1/2 INCH ID	75255	12 F5OHAO-S	UNION,STRAIGHT THREAD
61336	11943-20-24	HOSE END,90° FLANGE HEAD	75256	XV5O6P-24	BALL VALVE
61569	33782-8-8	HOSE END,45° FEMALE SWIVEL,,JIC	75574	4 WLNL-S	BULKHEAD LOCKNUT
61610	12 FF5OLO-S	CONNECTOR,LONG,STRAIGHT THREAD TO ORFS	75612	8 WJLO-WLNL-S	RUN TEE, BULKHEAD,ORFS
61742	1/8 X 1.5 FFF	NIPPLE,PIPE	75613	12-8 F5OG5-S	ADAPTER,FEMALE PIPE TO STRAIGHT THREAD
63426	8 PNTX-S	PLUG,FLARE TUBE	75614	8 CC5OLO-S	ELBOW,90° LONG,STRAIGHT THREAD TO ORFS
64271	4 WLO-WLNL-S	UNION,BULKHEAD,ORFS	75628	1JB43-4-4	HOSE END,BULKHEAD,SEAL LOK
64272	6 WLO-WLNL-S	UNION,BULKHEAD,ORFS	75631	801-6	HOSE,3/8 INCH ID
65776	8 F65OL-S	CONNECTOR,STRAIGHT THREAD TO ORFS SWIVEL	75654	20 F5OLO-S	CONNECTOR,STRAIGHT THREAD TO ORFS
65880	6001012	O-RING KIT	75655	1J943-20-20	HOSE END,90° FEMALE SWIVEL,SEAL LOK
66154	6 WTX-WLNS	UNION,BULKHEAD,FLARE TUBE	75656	881-20	HOSE,1-1/4 INCH ID
66155	6 WETX-S	UNION,BULKHEAD 90°,FLARE TUBE	75971	8 F5OHAO-S	UNION,STRAIGHT THREAD
66156	6 WLN-S	BULKHEAD LOCKNUT	77307	1JB43-8-8	HOSE END,BULKHEAD,SEAL LOK
66389	6-8 F5OX-S	CONNECTOR,STRAIGHT THREAD TO FLARE TUBE	77309	8 WLNL-S	BULKHEAD LOCKNUT
66392	6 R5OX-S	RUN TEE,STRAIGHT THREAD	77379	8M18C87OMX-S	ELBOW,90° METRIC,STRAIGHT THREAD TO FLARE TUBE
66396	811-12	HOSE,3/4 INCH ID	77703	3J982-8-8	HOSE END,90° FEMALE SWIVEL,SEAL LOK
66829	H3174PP	CLAMP,TUBE	77711	801-10	HOSE,5/8 INCH ID
67217	4 KLO-S	UNION,CROSS,ORFS	77758	12 WNLO-WLNL-S	UNION,BULKHEAD 45°,ORFS
67339	10-6 F5OX-S	CONNECTOR,STRAIGHT THREAD TO FLARE TUBE	78091	6 C6X-S	ELBOW,90°,SWIVEL NUT TO FLARE TUBE
67357	13943-8-6	HOSE END,90° FEMALE SWIVEL,,JIC	78684	30582-8-8B	HOSE END,PUSH LOK,MALE
67358	10 HP5ON-S	PLUG,STRAIGHT THREAD	78852	549-2	HOSE,1/8 INCH ID
67371	12 S6LO-S	BRANCH TEE,SWIVEL NUT TO ORFS	78855	10657-4-2	HOSE END,FEMALE SWIVEL,,JIC
67498	4 FNL-S	CAP, TUBE END	79138	PS-B-37	SLEEVE,NYLON,2.38" ID
67906	DC-370-F0F0-5	VALVE,CHECK	79476	1JS43-6-8	HOSE END,FEMALE SWIVEL,SEAL LOK
69316	8 FLO-S	CONNECTOR,MALE PIPE TO ORFS	79847	12-3/4 A0EG-S	ELBOW,90°,STRAIGHT THREAD TO FEMALE PIPE
69333	H3174PP	CLAMP,HYDRAULIC HOSE	80012	P8MCB6	PUSHLOCK,3/8NPTX #8, PLASTIC
69503	4 F65OX-S	CONNECTOR,STRAIGHT THREAD TO 37° SWIVEL	80013	X125HBL-8-6	PUSHLOCK,3/8 NPTX #8, BRASS
69775	8 FNL-S	CAP, TUBE END	80044	8 CLO-S	ELBOW,90°,MALE PIPE TO ORFS
71038	1/4X1/4F3HG-S	ADAPTER,CONVERSION	80502	8 F5OX-S	CONNECTOR,STRAIGHT THREAD TO FLARE TUBE
71196	12-8 F5OLO-S	CONNECTOR,STRAIGHT THREAD TO ORFS	80503	8 C5OX-S	ELBOW,90°,STRAIGHT THREAD TO FLARE TUBE
71383	1/4 CD45-S	ELBOW,45°,MALE TO FEMALE PIPE	81010	AS-B-27	SLEEVE,NYLON,1.63" ID
72270	12FNL-S	CAP, TUBE END	83052	821-6	HOSE,3/8 INCH ID
73436	60C-4	SLEEVE,COMPRESSION	83053	821-8	HOSE,1/2 INCH ID
73437	61C-4	NUT,COMPRESSION	83054	821-12	HOSE,3/4 INCH ID
73438	33482-4-4B	HOSE END,PUSH LOK,MALE	83055	30682-6-6	HOSE END,FEMALE SWIVEL,,JIC
73767	1CD-S	ELBOW,90°,MALE TO FEMALE PIPE	83056	30682-12-12	HOSE END,FEMALE SWIVEL,,JIC
73768	20-16-F5OG5-S	ADAPTER,FEMALE PIPE TO STRAIGHT THREAD	83057	33782-6-6	HOSE END,45° FEMALE SWIVEL,,JIC
73769	16-20 F5OLO-S	CONNECTOR,STRAIGHT THREAD TO ORFS	83058	33982-6-6	HOSE END,90° FEMALE SWIVEL,,JIC
74660	6-8 F42EDMLO-S	CONNECTOR,MALE BSPP TO ORFS	83060	33982-12-12	HOSE END,90° FEMALE SWIVEL,,JIC
74661	8-8 F42EDMLO-S	CONNECTOR,MALE BSPP TO ORFS	83063	13743-4-4	HOSE END,45° FEMALE SWIVEL,,JIC
75007	4 FLO-S	CONNECTOR,MALE PIPE TO ORFS	83064	13743-8-8	HOSE END,45° FEMALE SWIVEL,,JIC
75008	1/8 HP-S	PLUG,PIPE THREAD	83065	13743-12-12	HOSE END,45° FEMALE SWIVEL,,JIC
75014	1/2 HP-S	PLUG,PIPE THREAD	83066	13943-8-8	HOSE END,90° FEMALE SWIVEL,,JIC

607.1
Hoses and Fittings, Cross Reference Rev B

Genie PN	Parker PN	Description
83067	14143-6-6	HOSE END,90° FEMALE SWIVEL,JIC
83068	14143-8-8	HOSE END,90° FEMALE SWIVEL,JIC
83069	14143-12-12	HOSE END,90° FEMALE SWIVEL,JIC
83070	772-8	HOSE,1/2 INCH ID
83071	10671-8-8	HOSE END,FEMALE SWIVEL,JIC
83072	10671-12-12	HOSE END,FEMALE SWIVEL,JIC
83073	13771-8-8	HOSE END,45° FEMALE SWIVEL,JIC
83074	13771-12-12	HOSE END,45° FEMALE SWIVEL,JIC
83075	13971-8-8	HOSE END,90° FEMALE SWIVEL,JIC
83076	13971-12-12	HOSE END,90° FEMALE SWIVEL,JIC
83077	14171-8-8	HOSE END,90° FEMALE SWIVEL,JIC
83078	14171-12-12	HOSE END,90° FEMALE SWIVEL,JIC
83080	13943-16-16	HOSE END,90° FEMALE SWIVEL,JIC
83103	10671-16-12	HOSE END,FEMALE SWIVEL,JIC
83104	10671-10-12	HOSE END,FEMALE SWIVEL,JIC
83112	1JC71-8-8	HOSE END,FEMALE SWIVEL,SEAL LOK
83113	1JS71-16-12	HOSE END,FEMALE SWIVEL,SEAL LOK
83114	1JS71-10-12	HOSE END,FEMALE SWIVEL,SEAL LOK
83115	1J971-8-8	HOSE END,90° FEMALE SWIVEL,SEAL LOK
83116	1J171-8-8	HOSE END,90° FEMALE SWIVEL,SEAL LOK
83117	1J771-8-8	HOSE END,45° FEMALE SWIVEL,SEAL LOK
83127	1J543-6-8	HOSE END,90° FEMALE SWIVEL,JIC
83128	1JC43-6-8	HOSE END,FEMALE SWIVEL,SEAL LOK
87033	12-6 TRLO-S	REDUCER,TUBE END TO SWIVEL,ORFS
87034	3J782-8-8	HOSE END,45° FEMALE SWIVEL,SEAL LOK
87172	12 HP5ON-S	PLUG,STRAIGHT THREAD
87185	8 WNLO-WLNL-S	UNION,BULKHEAD 45°,ORFS
87246	4 C6X-S	ELBOW,90°,SWIVEL NUT TO FLARE TUBE
87679	6 LHP-S	FLANGE SEAL FITTING, MALE
87681	6PLS N0702	BONDED SEAL
88100	SR88100	ADAPTER,OIL DRAIN,GM 3.0L
88311	1JS43-20-20	HOSE END,FEMALE SWIVEL,SEAL LOK
88353	20 V5OLO-S	ELBOW,45°,STRAIGHT THREAD TO ORFS
88474	10081-20	Crimp Shell, 1.25"
88475	1988-20-24	HOSE END,90° FLANGE HEAD
88476	JS88-24-24	HOSE END,FEMALE SWIVEL,SEAL LOK
88477	1JC88-20-20	HOSE END,FEMALE SWIVEL,SEAL LOK
88478	811-20	HOSE,1 1/4 INCH ID
88936	20-16 F5OLO-S	CONNECTOR,STRAIGHT THREAD TO ORFS
88937	20-16 FLO-S	CONNECTOR,MALE PIPE TO ORFS
88938	1JC88-16-16	HOSE END,FEMALE SWIVEL,SEAL LOK
88939	1J988-16-16	HOSE END,90° FEMALE SWIVEL,ORFS
88940	811-16	HOSE,1 INCH ID
88944	1J988-20-20	HOSE END,90° FEMALE SWIVEL,ORFS
89403	16 VLO-S	ELBOW,45°,MALE PIPE TO ORFS
89449	6 WJLO-WLNL-S	RUN TEE, BULKHEAD,ORFS
89489	4 WJMLO-S	BRANCH TEE,BULKHEAD,ORFS
89551	1JB43-6-6	HOSE END,BULKHEAD,SEAL LOK

Genie PN	Parker PN	Description
89552	1JB43-8-8	HOSE END,BULKHEAD,SEAL LOK
89593	20 C5OLO-S	ELBOW,90°,STRAIGHT THREAD TO ORFS
94161	8-8 CLO-S	ELBOW,90°,MALE PIPE TO ORFS
94358	351TC-12	HOSE,3/4 INCH ID
94418	20 FLO-S	CONNECTOR,MALE PIPE TO ORFS
96358	12 TX-S	SLEEVE,FLARE TUBE
96359	12 BTX-S	NUT,FLARE TUBE
96397	8 F5OX-S	CONNECTOR,STRAIGHT THREAD TO FLARE TUBE
96398	12-8 F5OX-S	CONNECTOR,STRAIGHT THREAD TO FLARE TUBE
96402	10343-6-6	HOSE END,MALE,JIC
96407	30382-6-6B	HOSE END,MALE,JIC

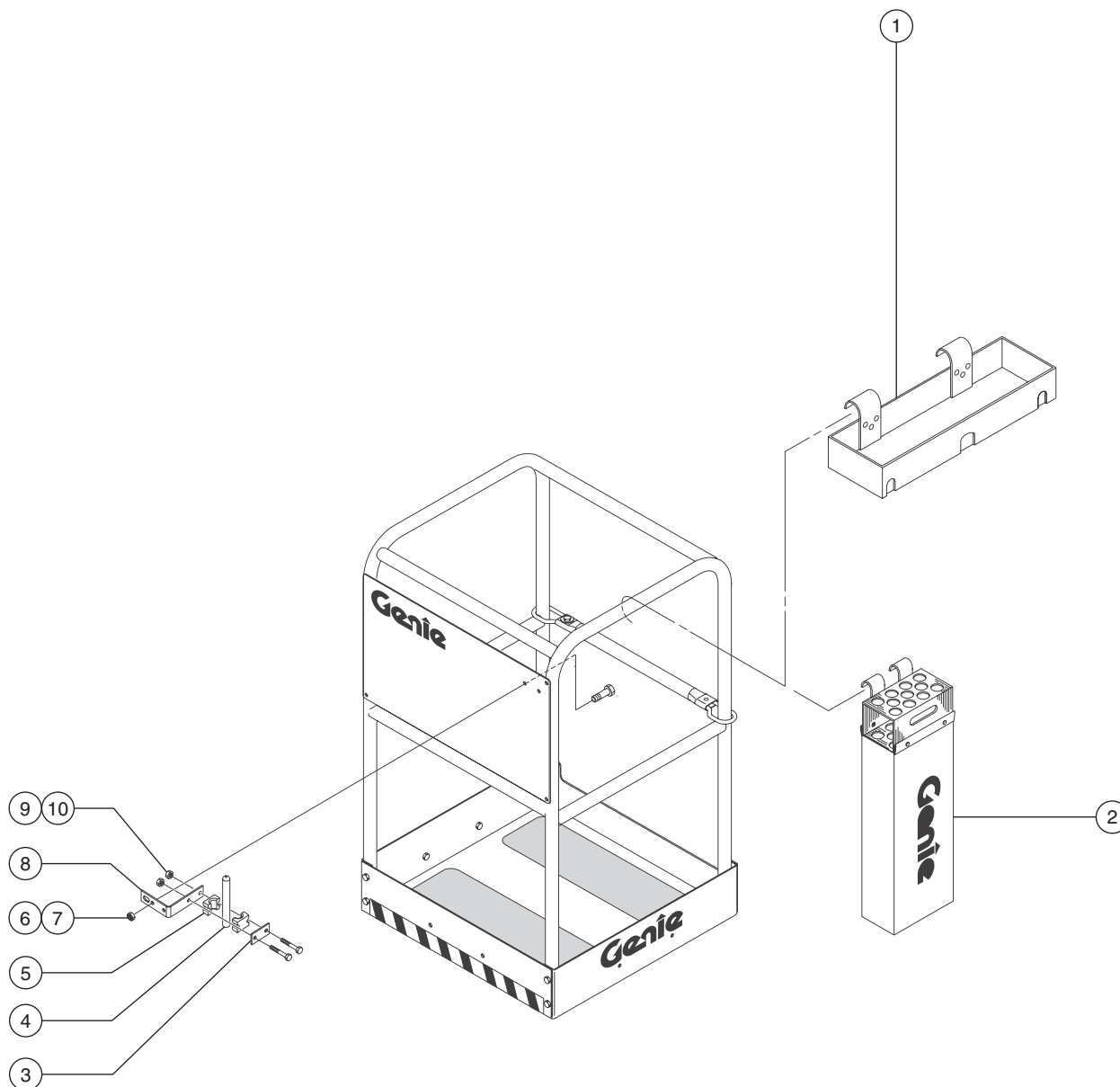
Figure 701.1 **Rev** A **Description** Operational Warning Light and Descent Alarm



Item	Part No.	Description	Qty.
—	37636-S	Operational Warning Light and Descent Alarm Package	
1	45470	Rubber Cusioned Clamp, 0.31 x 0.25 inch	1
2	33576	Squeeze Connector, 1/2 inch	1
3	6935	Electric Locknut, 0.5 inch	1
4	6562	Electrical Cord, 16 Gauge, 4 Conductor SJO	32 inches
5	37765-S	Control Box Mount	1
6	41452P	Strobe / Alarm Mount	1
7	45383	Descent Alarm, 12V DC	1
—	72326	Retainer Nut	
8	6606	Screw - RHSM, 10-32 x 0.75 inch	
9	6607	Lock Washer, #10	
10	15513	Hex Nut, 10-32	
11	20189	Amber Strobe, 12-72V DC (includes items 9 and 10)	1
—	72282	Amber Lens	
12	6638	Flat Washer, 1/4 inch	
13	43136	Screw - PHPM, 1/4 -20 x 0.625 inch	



Figure	Rev	Description
702.1	A	Tube Caddy, Tray and Platform Locating Light



Note:
 The Locating Light is mounted differently depending on the platform option. Refer to the instruction sheet that comes with the kit for mounting location.



Item	Part No.	Description	Qty.
1	9599-S	Tool Tray	1
2	38226	Flourescent Tube Caddy (includes mounting hardware and assembly instructions)	1
3	80995	Mounting Plate	1
4	80993	Locating Light	1
—	43078	Locating Light Assembly (includes items 3 and 5-10)	
5	80994	Cushion	2
6	4828	Nylock Nut, 3/8 -16	
7	6175	Screw - HHC, 3/8 -16 x 1 inch, GR 5	
8	80997	Mounting Bracket, Ultra Narrow Platform	1
9	6091	Nylock Nut, 1/4 -20	
10	6637	Screw - HHC, 1/4 -20 x 1.75 inches, GR 5	



Genie Scandinavia Phone +46 31 575100 Fax +46 31 579020
Genie France Phone +33 (0)2 37 26 09 99 Fax +33 (0)2 37 26 09 98
Genie Iberica Phone +34 93 579 5042 Fax +34 93 579 5059
Genie Germany Phone +49 (0)4202 88520 Fax +49 (0)4202 8852-20
Genie U.K. Phone +44 (0)1476 584333 Fax +44 (0)1476 584334
Genie Mexico City Phone +52 55 5666 5242 Fax +52 55 5666 3241

Genie North America
 Phone 425.881.1800
 Toll Free USA and Canada
 800.536.1800
 Fax 425.883.3475

Genie Australia Pty Ltd.
 Phone +61 7 3375 1660
 Fax +61 7 3375 1002

Genie China
 Phone +86 21 53852570
 Fax +86 21 53852569

Genie Malaysia
 Phone +65 98 480 775
 Fax +65 67 533 544

Genie Japan
 Phone +81 3 3453 6082
 Fax +81 3 3453 6083

Genie Korea
 Phone +82 25 587 267
 Fax +82 25 583 910

Genie Brasil
 Phone +55 11 41 665 755
 Fax +55 11 41 665 754

Genie Holland
 Phone +31 183 581 102
 Fax +31 183 581 566

Distributed By:

Parts Manual AWP Super Series

(after serial number AWP05-50000)

**Part No.
107480**

Rev B