

D-EV External Display Unit

1. Preface

This unit is an external display unit for the Multi-axis Linear Gage Counter, EV Counter. To obtain the best possible performance from this product and to ensure safe operation over a long term, read this user's manual carefully prior to setup and operation. And be sure to observe the precautions shown in the following.

TIP

For more details on how to operate this unit, refer to the user's manual of EV counter main unit.

2. Precautions on Use



- Neither remove the cover nor disassemble this unit. Doing so may expose personnel to electric shock or result in damage or fire to this unit due to a short circuit caused by metal chipping or dust.
- This unit is a precision instrument. Do not bump or apply excessive force to any part of this unit when setting it up or operating it.
- Use this unit in an environment where the temperature is between 0 and 40°C. The temperature variation should be minimized so there is no condensation.
- Avoid operating this unit in the following places:
 - Where it will be exposed to cutting chips and oil, dirt, dust, or significant vibrations.
 - Where it will be exposed to direct sunlight.
 - Near high-voltage/large current power equipment.

3. Export Control Compliance

The goods, technologies or software described herein may be subject to National or International, or Japanese Export Controls. To export directly or indirectly such matter without due approval from the appropriate authorities may therefore be a breach of export control regulations and the law.

4. Electromagnetic Compatibility (EMC)

This product complies with the EMC Directive. Note that in environments where electromagnetic interference exceeds EMC requirements defined in this directive, appropriate countermeasures are required to assure the product performance.

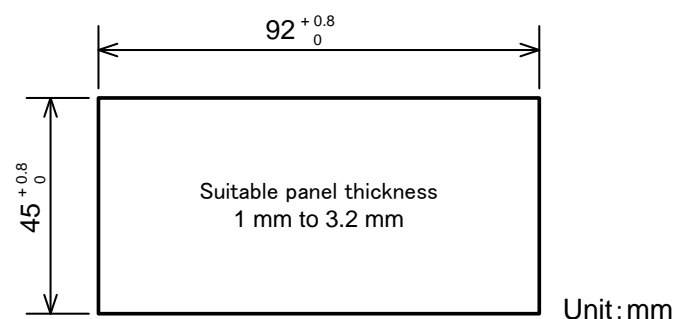
5. Warranty

If the Mitutoyo External Display Unit for D-EV should prove defective in workmanship or material, within one year from the date of purchase for use, it will be repaired or replaced, at our option, free of charge upon its prepaid return. For further information, contact your dealer or the local Mitutoyo sales office.

6. Setup

6.1 Mounting the D-EV

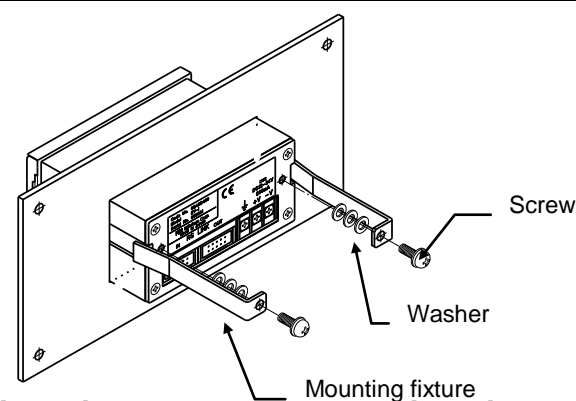
(1) Dimensions of panel opening



(2) Mounting to the panel

After temporarily removing the mounting fixture for the D-EV, insert it through the opening from the front of the panel. Secure the counter main unit from the rear with fixtures. Depending on the panel thickness, use the appropriate number of supplied washers.

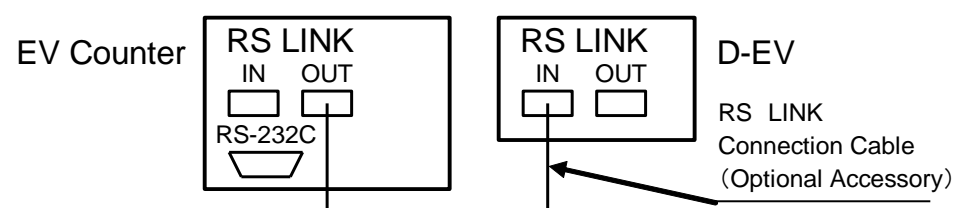
Panel thickness (mm)	1.0~1.3	1.4~1.7	1.8~2.5	2.6~3.2
Numbers of washers	0	1	2	3



6.2 Make connection with the EV counter main unit

(1) Connection procedure

Connect the RS LINK OUT connector on the EV counter main unit and the RS LINK IN connector on the D-EV with RS LINK connection cable.



(2) When connect with two counters

For connecting a second EV counter with D-EV, connect the RS LINK OUT connector on D-EV and the RS LINK IN connector on a second EV counter.

TIP

The D-EV displays the data sent from the EV counter which is connected to the RS LINK IN connector on D-EV.

7. Specification

Code No.	02ADD400
Model name	D-EV
Number of display digits	6disits excluding a sign (The EV counter operates with 8digits)
Power supply	DC +12V~+24V, Max. 200mA Terminal block (M3 screw)
External dimensions (W x H x D)	96(W) x 48(H) x 73.6(D) mm *excluding protrusions and accessories
Operation temperature	0 to 40 °C (20 to 80%RH with no condensation)
Storage temperature	-10 to 50 °C (20 to 80%RH with no condensation)
Mass	Approx. 150 g
CE marking	EMC Directive:EN61326-1 Immunity test requirements :Clause 6.2 Table2 Emission limit :Class B

8. Standard Accessories

Part No.	Item name	Quantity
—	Washer (For panel mounting)	6
99MBC036B	User's Manual (this document)	1
A42F08-003C	Supplemental operation manual	1
—	Warranty	1

9. Optional Accessories

(must be purchased separately)

Parts No.	Item name
02ADD950	RS LINK connection cable (0.5m)
936937	RS LINK connection cable (1m)
995014	RS LINK connection cable (2m)
02ADD930	Terminal strip connection cable *
02ADN460	AC adapter
02ZAA000	AC cable (Japan, &c.) *
02ZAA010	AC cable (USA, &c.) *
02ZAA020	AC cable (EU, &c.) *
02ZAA030	AC cable (UK, &c.) *
02ZAA040	AC cable (China, &c.) *
02ZAA050	AC cable (Korea, &c.) *

* Required if the AC adapter is used.