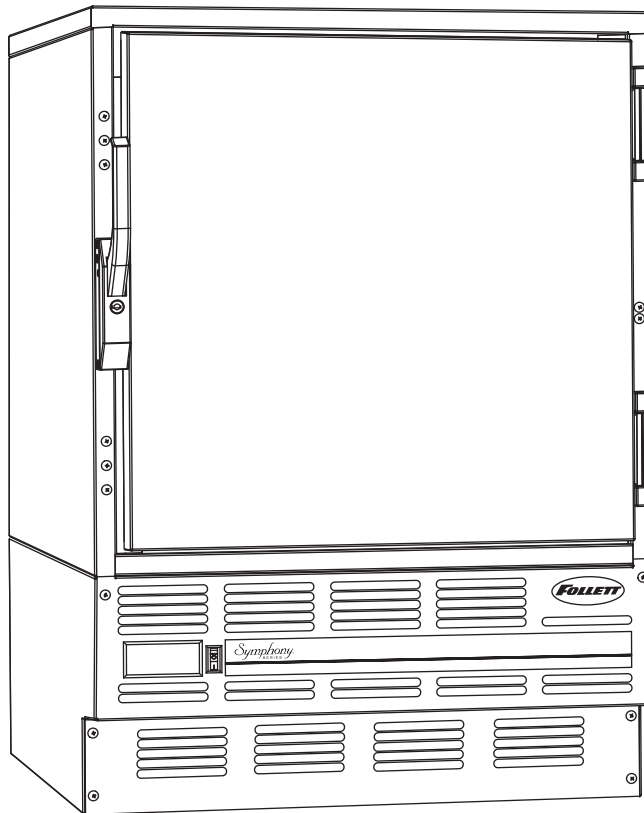


# FZR Series Undercounter Freezer

Order parts online  
[www.follettice.com](http://www.follettice.com)

## Installation, Operation and Service Manual

Serial numbers before C45184



**Following installation, please forward this manual  
to the appropriate operations person.**

This page intentionally left blank.

# Welcome to Follett

Follett equipment enjoys a well-deserved reputation for excellent performance, long-term reliability and outstanding after-the-sale support. To ensure that this product delivers that same degree of service, we ask that you take a moment to review this manual before beginning the installation. Should you have any questions or require technical help at any point, please call our technical service group at (800) 523-9361 or (610) 252-7301.

## Before you begin

After uncrating and removing all packing material, inspect the equipment for concealed shipping damage. If damage is found, notify the shipper immediately and contact Follett Corporation so that we can help in the filing of a claim, if necessary.

## Specifications

### Series specifications

FZR5

34.00" height for freestanding use or installation below standard 36" (915mm) high counter

4.0 cu ft (usable cubic volume)

FZR4-ADA

31.25" height for freestanding use or installation below 34" (864mm) high ADA-compatible counter

3.3 cu ft (usable cubic volume)

### Electrical specifications

115V, 60Hz, 1 phase

Full load amps: 8.0

Minimum circuit ampacity: 15 amp

Maximum size of branch circuit overcurrent device: 15 amp

### Refrigeration specifications

Refrigerant – R404A

Charge size – 10 oz

Maximum design pressures:

High side – 383psi

Low side – 175psi

### Installation specifications

Ambient temperature must not exceed 100 F (38 C).

The front louvered panel must be kept free of any cabinet trim or obstructions to ensure proper ventilation of the refrigeration system.



#### Important cautions

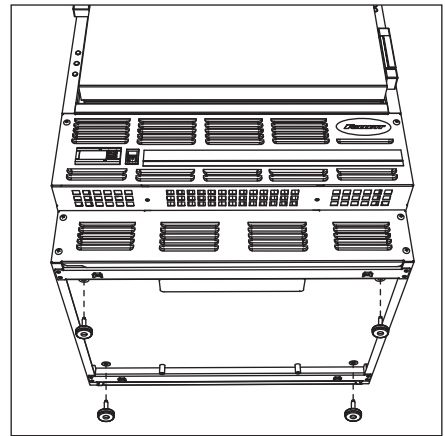
- Equipment must be wired according to local and NEC codes.
- Always disconnect power before servicing freezer.

# Installation

## Installing legs – required

1. Remove legs from plastic bag packed inside freezer.
2. Tip freezer back and screw legs in all the way to stop (they will extend 1/8" below base of freezer).
3. Adjust legs as needed to level freezer in both directions. To access legs, remove the lower front panel. Turn legs clockwise to extend legs.

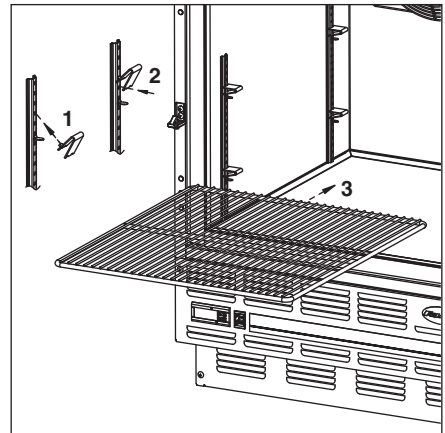
Fig. 1



## Installing shelves – required

1. Remove shelves and shelf brackets packed inside freezer.
2. Install shelf brackets in pilasters (insert top tab, squeeze and push in lower tab).

Fig. 2

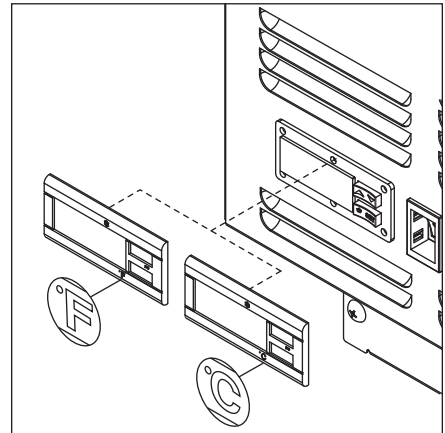


## Installing controller faceplate – required

The freezer is shipped from the factory configured to display in degrees C. If degrees F display is desired, resetting of temperature controller is required.

1. Remove degrees F and degrees C faceplates from plastic bag packed inside refrigerator.
2. Snap appropriate faceplate in place over controller face.

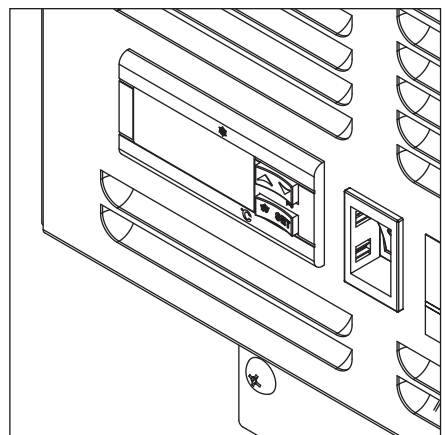
Fig. 3



## Changing temperature controller settings – optional

Follett's temperature controller is pre-programmed with a -25 C (-13 F) set point and degrees C display. The -25 C (-13 F) set point delivers a temperature range of -23 to -25 C (-9 to -13 F). Follett's controller set point can be changed to deliver up to a -15 C (+5 F) temperature for applications where a lower temperature is not desired (i.e. ice cream). See page 6 to change controller settings.

Fig. 4



## Reversing the door swing – optional

### NOTICE

When reinstalling latch and hinge screws, 242 blue Loctite\* MUST be applied to screws. Torque screws to 25 in-lbs.

1. Remove screws and latch from refrigerator cabinet (Fig. 5.1).
2. Use flat screwdriver to carefully remove (do not scratch) hinge covers (Fig. 6.1).
3. Support door and remove screws attaching hinge to refrigerator cabinet (Fig. 6.2).
4. Cover hinge screw holes with screw hole plugs removed from opposite side.
5. Reverse door. Apply 242 blue Loctite to hinge screws and reinstall torqued to 25 in-lbs.
6. Reinstall latch on opposite side.
7. Remove screws and handle from door (Fig. 7.1).
8. Rotate handle (Fig. 7.2).
9. Apply 242 blue Loctite to latch screws and reinstall torqued to 25 in-lbs.

Fig. 5

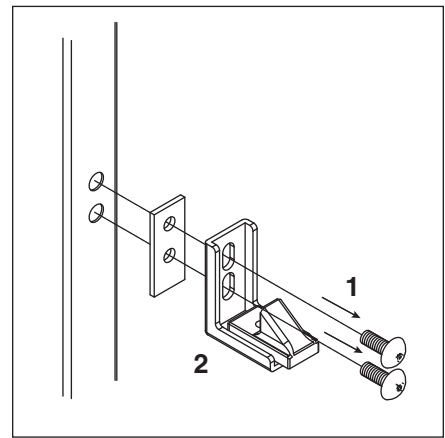


Fig. 6

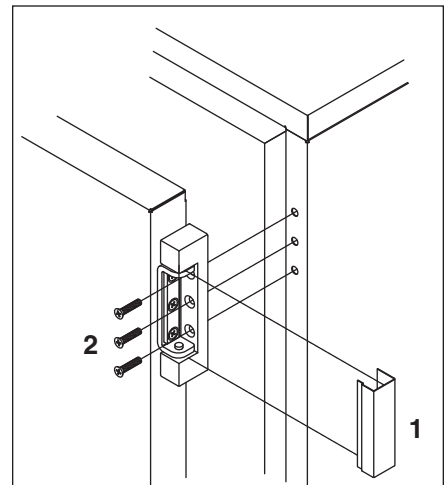
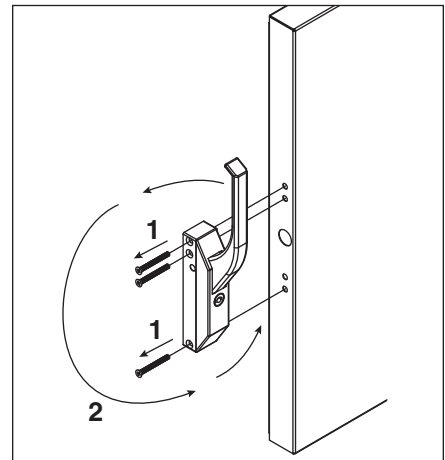


Fig. 7



## Controller operation

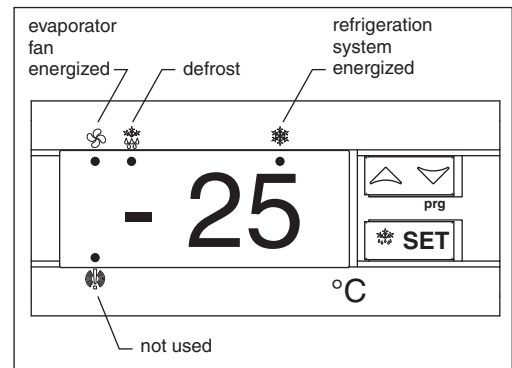
In normal operation the controller displays cabinet temperatures in degrees C (default) or user-selected degrees F. Degrees C temperatures are displayed to 1 decimal point.

Rocker buttons to the right of the temperature display control all programming functions.

The controller is pre-programmed with a -25 C (-13 F) set point which provides a compressor cut-in at -23 C (-9 F) and cut-out at -25 C (-13 F). The controller set point can be raised to -15 C (+5 F) for nourishment applications where a lower temperature is not desired (i.e. ice cream). Follow instructions for changing temperature cut-out below.

All set points have a 2 C differential. The 2 C differential means that with a -25 C set point, for example, the compressor will turn off at -25 C (-13 F) and turn on when it reaches -23 C (-9 F).

Fig. 8



## To display temperature cut-out

STEP	INPUT	DISPLAY
1	Press and release SET	Current cut-out temperature will display for approximately 5 seconds. Display will return to current refrigerator temperature.

## To change temperature cut-out

STEP	INPUT	DISPLAY
1	Press and hold SET for 3 seconds	Current cut-out temperature displayed, refrigeration system energized LED flashes
2	Press UP or DOWN arrows to desired cut-out temperature	New cut-out temperature displayed
3	Press and release SET	New cut-out temperature blinks three times, then current refrigerator temperature will display

## To change temperature display from degrees C to degrees F

Follett includes a programming key (part# 00155630) that changes the display and temperature settings from degrees C to degrees F.

## Programming freezer from a degree F key (download)

1. Turn OFF freezer.
2. Remove 6 screws from panel holding controller to access back of controller.
3. Insert degree F programmed key into 5 PIN receptacle on controller back.
4. TURN ON freezer.
5. Values from key automatically download to freezer (“dol” message blinks followed by “end”).
6. After 10 seconds display returns to current freezer temperature and controller will restart with new values.
7. Remove key.
8. Freezer will now display in degrees F.

**Note:** An “Err” message displays for failed programming. Turn freezer OFF then ON to restart download, or remove key to abort.

## **Controller security**

The controller panel can be locked to prevent inadvertent or intentional programming changes. In locked mode, the controller will display cabinet temperature and cut-out set point only.

### **To lock the controller**

1. Press the UP/DOWN ARROW in the middle until "POF" displays.
2. Programmer is now locked.

### **To unlock the controller**

1. Press UP/DOWN ARROW in middle until "PON" displays.
2. Programmer is now unlocked.

## **Controller programming key degrees C (optional accessory)**

A controller programming key is available from Follett to provide fast and easy reprogramming of factory settings in degrees C (part# 00155648).

### **Programming key from a freezer (upload)**

1. Set the controller to the desired cut-out temperature using the controller key pad.
2. Remove 6 screws from panel holding controller to access back of controller.
3. With controller ON, insert key into 5 PIN receptacle on controller back.
4. Push UP ARROW on controller front ("uPL" displays followed by "end").
5. Press SET ("end" stops flashing).
6. TURN OFF freezer and remove key.
7. Turn freezer back on.
8. Programming key is now programmed.

**Note:** An "Err" message displays for failed programming. Push UP ARROW again to restart upload or remove key and abort.

# Operation

The temperature controller and probe indicate when the refrigeration system is required to turn on and off.

The refrigeration system removes heat from the cabinet interior and rejects it to the surrounding room air. When the cabinet interior temperature reaches +2.2 C (+4 F) above the controller set point, the probe signals the controller to turn the refrigeration system on. The normally-open controller contacts 4 and 5 close and energize the evaporator and condenser fan motors, compressor and door heater. The LED's under the snowflake and fan on the controller will come on to indicate the refrigeration system is on. The compressor uses a current-style starting relay and a starting capacitor to start the compressor motor.

When the cabinet interior temperature falls to the set point, the probe signals the controller to turn the refrigeration system off. The controller contact 5 reopens, which de-energizes the condenser fan motor and the compressor. The LED under the snowflake will go out and the LED under the fan will remain on.

Any accumulated frost on the evaporator coils melts during the defrost cycle. The condensate drains to a drain pan mounted along the condensing unit. The heat from the condensing unit evaporates any condensate in the drain pan.

## Temperature control

The temperature control system is preset by the factory to maintain a cabinet temperature of -23 C (-10 F). If desired, the cut-out temperature can be raised as high as -15 C (5 F) by following the instructions on page 6 for changing the temperature set point. The 2 C cut-out differential will be maintained regardless of the controller set point.

## Defrosting

The FZR series undercounter freezers control frost accumulation on the evaporator through automatic timed defrost cycles. The defrost cycle is initiated by the temperature controller every 4 hours. Contacts 4 and 5 on the controller open and the refrigeration system is turned off. Contact 2 is closed and the defrost heater is energized. The LED under the melting snowflake on the controller will come on, and the temperature display will read: "DEF" to indicate the freezer is in the defrost cycle.

The heater warms the evaporator coil and drain pan to melt the frost and drain the water to the condensate pan. The temperature controller monitors evaporator temperature using a probe embedded in the coil. The controller terminates the defrost cycle when the evaporator temperature reaches +5 C (+41 F) or after 15 minutes of defrost time, whichever occurs first. As the defrost cycle terminates, the controller de-energizes the heater and restarts the compressor and condenser fan. The LED under the snowflake on the controller will come on to indicate the refrigeration system is running.

There is a 5 minute delay before the evaporator fan motor is re-energized. The LED under the fan on the controller will come on to indicate the fan is running and the temperature display resumes displaying cabinet temperature. A defrost cycle can be initiated manually at any time by depressing and holding the melting snowflake button for approximately three seconds. As a safety feature, a temperature safety switch mounted on the evaporator will turn off the defrost heater if the temperature of the evaporator reaches +27 C (+80 F) regardless of controller operation.

The FZR series freezers have been designed specifically for the storage of temperature-critical medications. Other storage applications may require modifications of the factory-programmed defrost cycle settings. Please consult Follett technical service if defrost modification is needed.

**Note: Storage of products with very low volumes may require additional product insulation.**

**Note: Serial numbers below C57095 were programmed with defrost cycles every 4 hours terminating at +5 C (+41 F) or after 15 minutes, whichever came first. If you are experiencing problems with frost on any of these earlier units, please call Follett's technical service department at (800) 523-9361 or (610) 252-7301 for a programming key to update your unit to the 2 hour - 18 minute defrost cycle.**

## Cleaning



**Use only non-chlorine-based cleaners. Cleaners containing chlorine can cause staining and pitting of the stainless steel.**

Interior – Using a sponge or soft cloth, clean unit with a non-abrasive, non-chlorinated, all-purpose detergent.

Exterior – Wipe exterior with a soft cloth in the direction of grain as needed. Stainless steel polish may be used to enhance the finish of the unit.

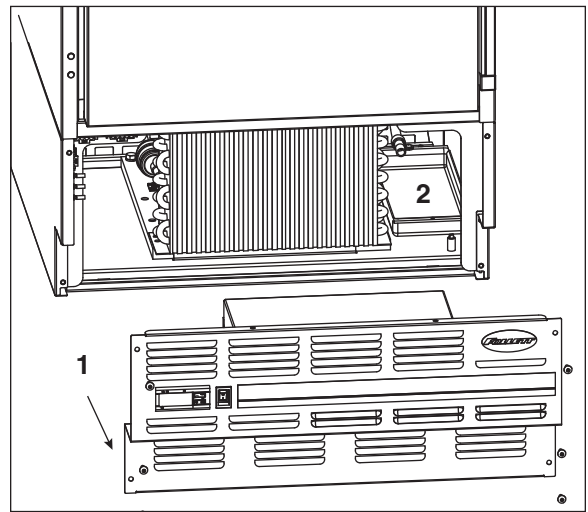


## Annual cleaning

Removal of dust and other particulates from air intake areas and the condenser is important for proper operation. Some environments with large amounts of dust may require more frequent cleaning.

1. Disconnect power to unit by turning switch on the lower front panel to the OFF position, switching circuit breaker to OFF position, and removing power cord from receptacle.
2. Remove lower front panel (Fig. 10.1).  
**Note:** Front louvered panel may be completely removed for easier cleaning by disconnecting the controller wiring plugs from the freezer.
3. Remove drain pan (Fig. 10.2).
4. Clean drain pan with a non-abrasive, non-chlorinated all-purpose detergent.
5. Reinstall drain pan.
6. Use a vacuum cleaner with brush attachment to clean condenser through lower front panel and compressor motor and related parts through lower rear panel.
7. Reinstall lower front panel.

Fig. 10



## Service

### Latch adjustment

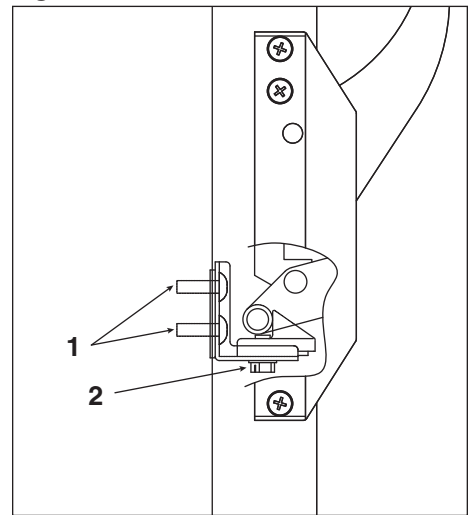
To adjust for proper latch engagement

1. Loosen striker plate mounting screws (Fig. 11.1).
2. Move striker plate up or down as required and tighten screws.
3. Test operation of latch.

To adjust for proper gasket seal

1. Loosen striker depth adjustment screw (Fig. 11.2).
2. Adjust stop in or out and tighten screws.
3. Test operation of latch.

Fig. 11



### Door gasket replacement

1. Remove existing gasket from mounting track.
2. Verify mounting track is free of any remaining gasket material.
3. Align new gasket with mounting track and press firmly in place.
4. Open and close door, checking for proper gasket seal without pinching against freezer.
5. Adjust latch and or striker as necessary for proper door closure.

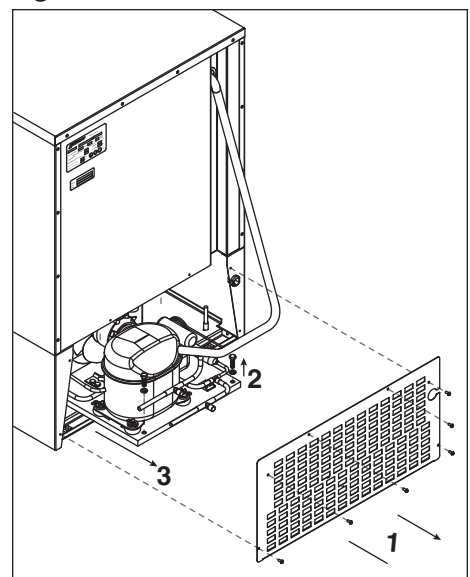
### Slide-out compressor tray

Follett's slide-out compressor tray allows technicians to partially slide the condensing unit from the freezer back without cutting refrigerant lines.

1. Remove rear panel (Fig. 12.1).
2. Remove two bolts securing condensing unit to refrigerator base (Fig. 12.2).
3. Gently slide condensing unit out (Fig. 12.3).

**Note:** Do not put undue strain on the refrigerant lines.

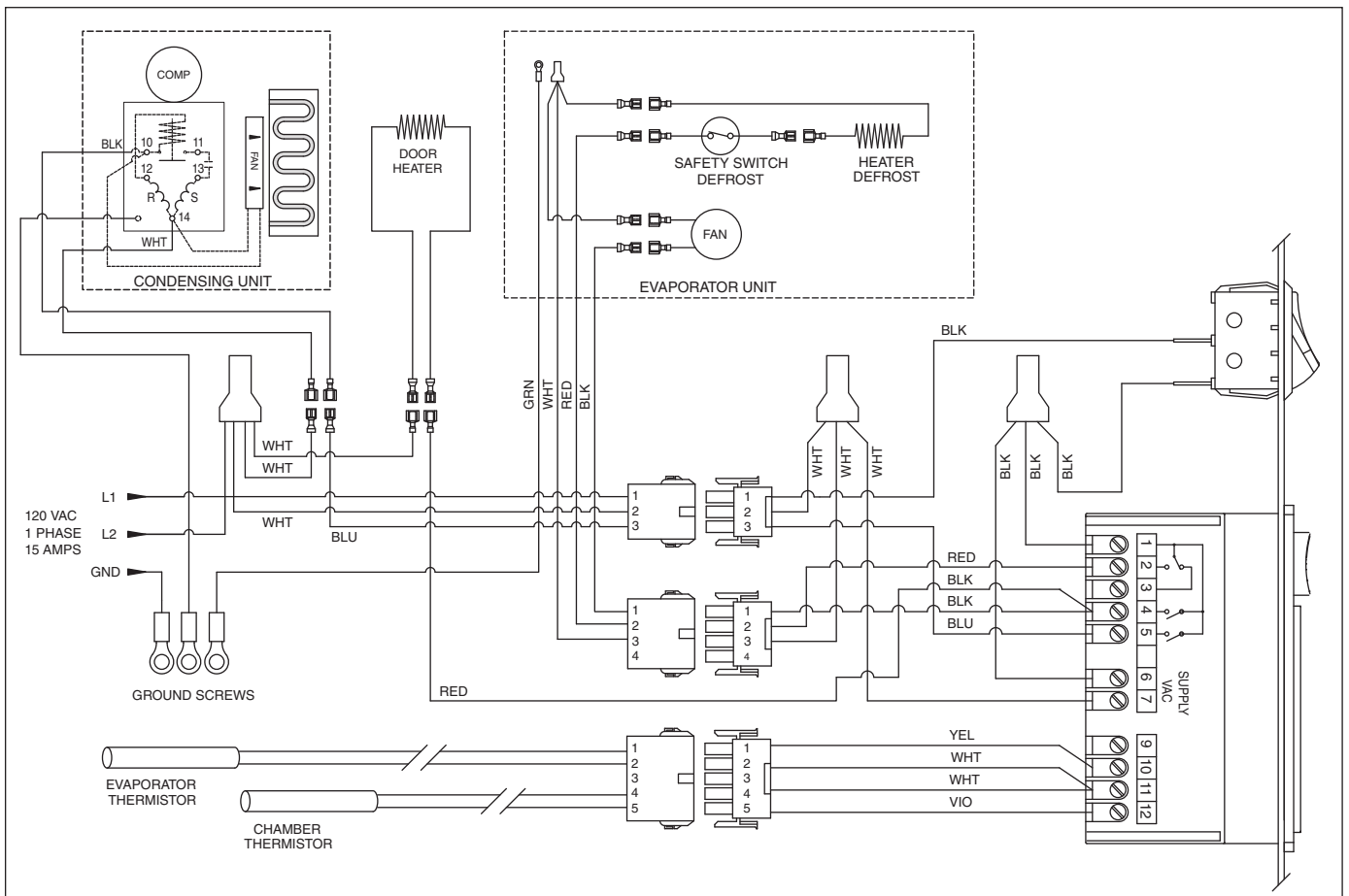
Fig. 12



## Controller replacement

1. Disconnect power to unit.
  - a. Push front panel rocker switch to OFF position.
  - b. Disconnect power cord.
2. Remove 6 screws from front panel and slide panel forward to access back of controller.
3. Disconnect front panel and wiring harness from freezer at the 3, 4, and 5 pin connectors and door heater connector to simplify replacement.
4. Push in on center of side brackets (on controller) to release and slide brackets back and off controller.
5. Push controller and wires out through front of front panel.
6. Using wiring schematic (attached to front panel and below) as a guide, remove wires one at a time from back of existing controller and connect to corresponding terminals on replacement controller.
7. Gently remove faceplate from existing controller and install on replacement controller.
8. Insert replacement controller back through front of panel.
9. Slide brackets onto sides of controller and push against back of front panel.
10. Reconnect 3, 4, and 5 pin connectors of wiring harness to freezer.
11. Keeping wiring clear of condenser, replace front panel.
12. Restore power and test operation. Reprogram replacement controller if necessary.

## Wiring diagram



## Refrigeration system

The FZR series -20 C (-4 F) freezer refrigeration system is designed to give many years of trouble-free service. Except for routine cleaning of the air-cooled condenser and related parts, the refrigeration system requires no service or maintenance. The system uses a thermostatic expansion valve and is critically charged. Access fittings are provided for ease of service. However, the connection of refrigeration service hoses to the fittings will almost invariably result in a significant change in the system charge. This change can adversely affect the performance of your freezer. Therefore, Follett recommends that if hoses are ever connected to the refrigeration system for service, the refrigerant should be recovered, the system evacuated, and recharged by weighing in the correct refrigerant charge.

**Note:** Do not charge the system by pressures.

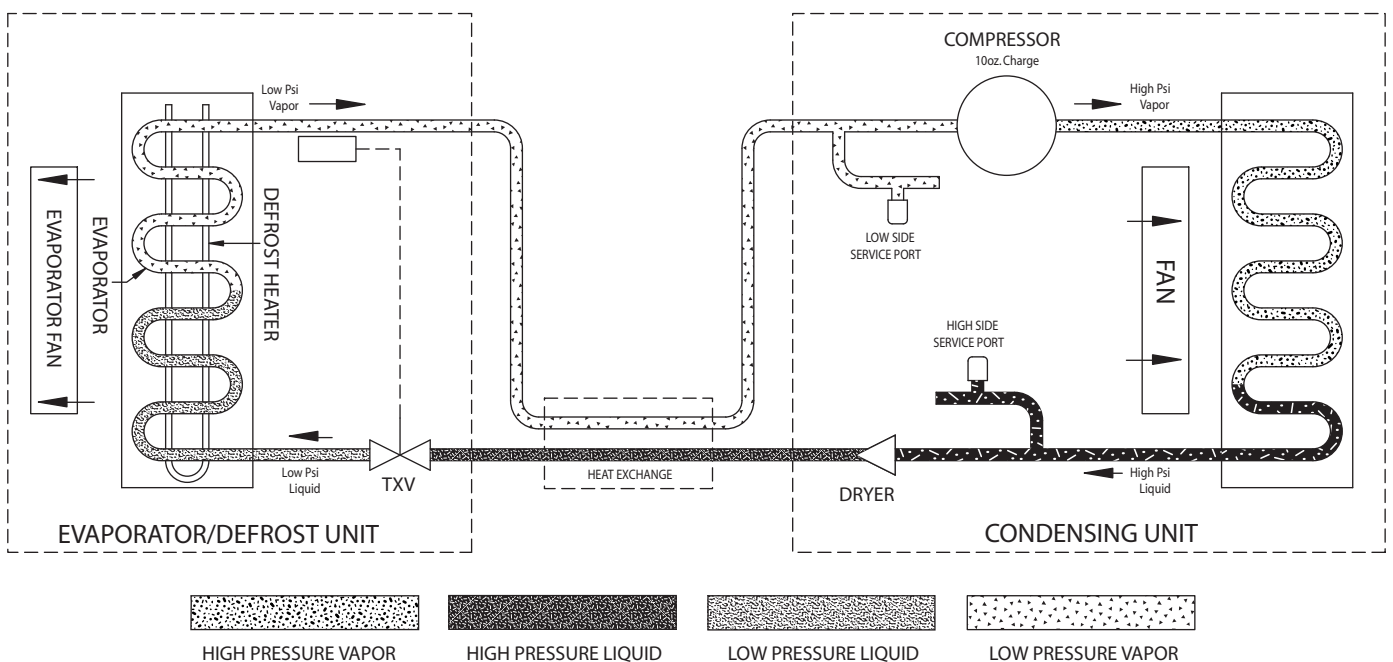
## Checking refrigeration system pressures

1. Remove the rear access panel (Fig. 12).
2. Turn the power switch to the on position.
3. Following the instructions on page 5 verify that the temperature controller is set to the original factory cut-in setting of -23 C (-9 F).
4. Allow the freezer to operate and stabilize at least 60 minutes, verifying the cut-out temperature is being reached.
5. Connect refrigerant hoses to access fittings and measure air temperature at condenser intake grille.
6. Verify correct pressures with the temperature chart below.
7. Troubleshoot refrigeration system as needed.

**Note:** Do not attempt to obtain correct refrigeration pressures by adjusting the system charge.

<b>Condenser inlet air temperature</b>	70 F	80 F	90 F	100 F
<b>Discharge pressure (psi)</b>	197	225	255	285
<b>Suction pressure (psi)</b>	12	13	14	15

## Refrigeration system diagram



## Freezer troubleshooting guide

### Before calling for service

1. Check that unit is plugged in.
2. Test outlet with another appliance to verify power.

Symptom	Possible cause	Solution
Freezer does not operate (no components run).	<ol style="list-style-type: none"> <li>1. Power switch faulty or in OFF position; loose connection.</li> <li>2. Freezer not plugged in.</li> <li>3. No power to cord.</li> <li>4. Temp controller not energizing components.</li> <li>5. Probe not sensing cut in temperature.</li> </ol>	<ol style="list-style-type: none"> <li>1. Turn power switch to ON position; check switch and connections.</li> <li>2. Connect plug.</li> <li>3. Restore power.</li> <li>4. Check controller contact terminals for power. Replace controller if needed.</li> <li>5. Replace controller and/or probe.</li> </ol>
Compressor does not run.	<ol style="list-style-type: none"> <li>1. Thermal overload open or defective.</li> <li>2. Capacitor and/or relay defective.</li> <li>3. Compressor defective.</li> </ol>	<ol style="list-style-type: none"> <li>1. Allow to cool or replace.</li> <li>2. Replace as required.</li> <li>3. Replace compressor.</li> </ol>
Compressor and condenser fan do not run.	<ol style="list-style-type: none"> <li>1. No power on terminal 5 of controller (during cooling).</li> </ol>	<ol style="list-style-type: none"> <li>1. Replace controller</li> </ol>
Evaporator fan motor does not run.	<ol style="list-style-type: none"> <li>1. No power on terminal 4 of controller (during cooling).</li> </ol>	<ol style="list-style-type: none"> <li>1. Replace controller.</li> </ol>
Freezer does not shut off.	<ol style="list-style-type: none"> <li>1. Controller not sensing cut off temperature.</li> <li>2. Controller keeping refrigeration system energized.</li> </ol>	<ol style="list-style-type: none"> <li>1. Replace controller and/or probe.</li> <li>2. Replace controller.</li> </ol>
Freezer does not maintain temperature (all components run).	<ol style="list-style-type: none"> <li>1. Condenser or evaporator coil needs cleaning.</li> <li>2. Faulty door gasket.</li> <li>3. Excessively high ambient.</li> <li>4. Refrigerant leak.</li> <li>5. Incorrect refrigerant charge.</li> <li>6. Plugged expansion valve.</li> <li>7. Inefficient compressor.</li> <li>8. Evaporator coil blocked with ice.</li> </ol>	<ol style="list-style-type: none"> <li>1. Clean coils as needed.</li> <li>2. Replace door gasket.</li> <li>3. Maximum recommended ambient is 100 degrees F.</li> <li>4. Locate and repair leak.</li> <li>5. Recover, evacuate and weigh in correct charge.</li> <li>6. Replace expansion valve.</li> <li>7. Consult technical service.</li> <li>8. Depress defrost button on controller to defrost coil.</li> </ol>
Evaporator does not defrost.	<ol style="list-style-type: none"> <li>1. Defective defrost heater.</li> <li>2. Faulty heater safety switch.</li> <li>3. No power on terminal 2 of controller (during defrost).</li> <li>4. Defrost settings may require change for specific applications.</li> </ol>	<ol style="list-style-type: none"> <li>1. Replace defrost heater</li> <li>2. Replace switch.</li> <li>3. Replace controller.</li> <li>4. Call Follett's technical service department.</li> </ol>

**If problems persist after following this basic troubleshooting guide, call Follett's technical service group at (800) 523-9361 or (610) 252-7301.**

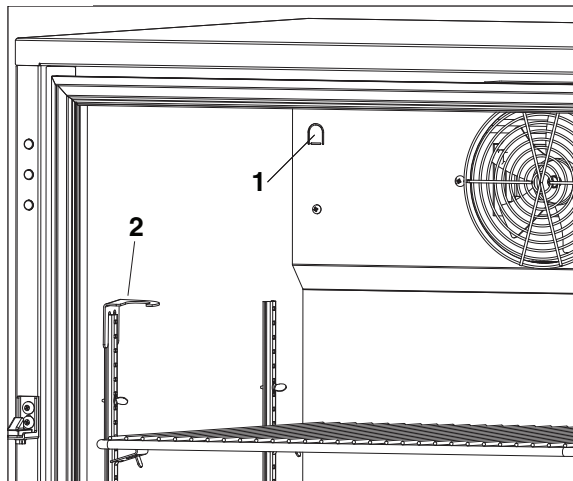
# Accessories

Follett offers alarm and temperature monitoring accessories to provide greater product security. Both accessories are equipped with immersible probes that should be routed through the gasketed refrigeration port in the back of the FZR to the product simulation bottle that will be installed in the unit.

## Installing probes

1. Use flat head screwdriver to open partial knockout on left side of evaporator cover panel inside freezer (Fig. 13.1).
2. Install supplied short length of plastic tubing on end of stainless probe.
3. From back of FZR, insert plastic tubing/probe assembly through soft gasketing where refrigeration line enters back of FZR.
4. Route tubing/probe assembly into FZR cabinet through opened knock-out in evaporator cover panel.
5. Remove tubing from probe and discard tubing.
6. Insert center tab of short bottle bracket into top of rear left pilaster (Fig. 13.2).  
**Note:** Use longer bottle bracket for FZR freezers with third shelf installed high in FZR.
7. Fill supplied plastic bottle with glycerin or other liquid solution used by your facility to simulate product.
8. Hang bottle in bracket.
9. Push probe through hole in top of gasketed bottle top.  
**Note:** Probe must be placed in bottle for proper alarming and/or operation.

Fig. 13



## Temperature alarm

### Before installing alarm

1. Remove supplied 9-volt back-up battery from packing box.
2. Remove 2 screws from module face and remove faceplate.
3. Install back-up battery on battery connector.
4. Locate DIP switches on the back of the faceplate (Fig. 14).
5. Review the factory DIP switch settings (Fig. 15) and make any changes required to meet the needs of your specific application.
6. Reinstall faceplate.

Fig. 14

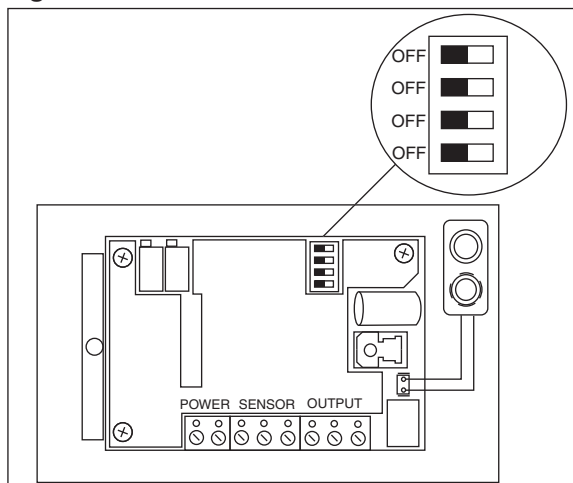


Fig. 15

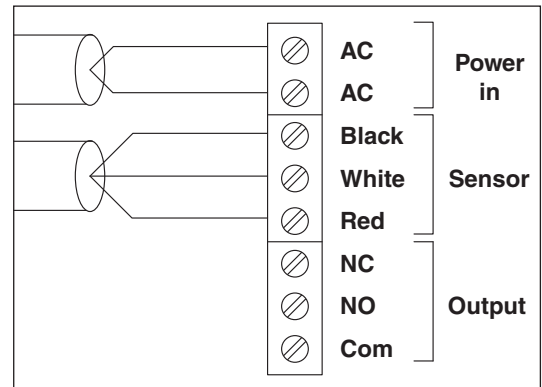
Dip Switch	OFF (factory default setting)	ON
1	No alarm delay	45 minute alarm delay
2	Auto reset (alarm stops automatically as soon as temperature returns to set range)	Manual reset of alarm (user must press RESET button to stop audible alarm even if temperature has returned to set range)
3 & 4	Audible alarm on (no snooze with both off)	No audible alarm
3	Enables 5 min alarm "snooze" when reset button is pressed (3 off with 4 on)	Enables 45 min alarm "snooze" when reset button is pressed (3 on with 4 off)

## Mounting alarm

1. Mount alarm in desired location with screws (supplied by others) through back of housing. Do not place undue strain on probe cable.
 

**Note:** Do not modify length of probe wire. Probe will not measure temperature correctly if wire length is changed.
2. Plug cord into 110 VAC outlet.
3. Refer to above instructions to install probe.
4. Refer to Figure 16 if attaching alarm to central monitoring or alarm system. A SPDT 1 amp 24 VAC resistive relay is provided for this connection.

Fig. 16

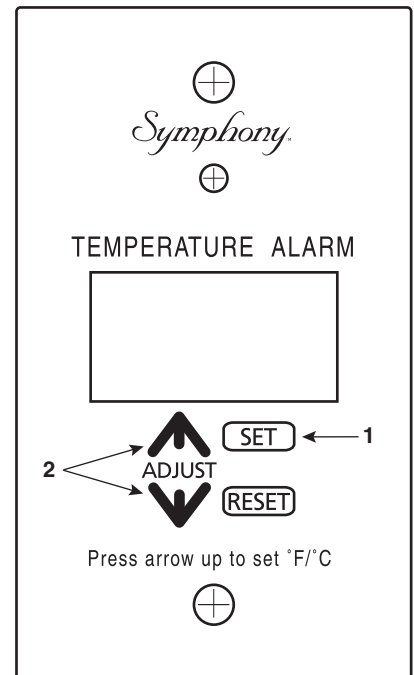


## Setting alarm temperatures

1. After the installation is complete, allow 30 minutes for the system to stabilize to ambient temperature.
2. Calibrate temperature alarm to refrigerator display
  - a. Calibration is best done with the alarm probe removed from the probe bottle and placed in the vicinity of the temperature controller probe. Allow at least 15 minutes for the probe temperature to stabilize.
  - b. Note the temperature value displayed on the refrigerator controller and subtract the temperature value displayed on the alarm. This value is the differential.
 

**Example:** Temperature controller: 36 F      Alarm: 38 F  
 Controller – Alarm = Differential      36 – 38 = -2
  - c. Press SET until “CAL” is displayed (Fig. 17.1).
  - d. Press SET again to display “CAL” value (Fig. 17.1).
  - e. Press top or bottom of ADJUST arrow to display the calculated differential (-2 F in example above).
3. Set high alarm limit
  - a. Press SET until “HSP” is displayed (Fig. 17.1).
  - b. Press SET again to display HSP value (Fig. 17.1).
  - c. Press top or bottom of ADJUST arrow until desired HSP value is displayed (Fig. 17.2).
4. Set low alarm limit
  - a. Press SET until “LSP” is displayed (Fig. 17.1).
  - b. Press SET again to display LSP value (Fig. 17.1).
  - c. Press top or bottom of ADJUST arrow until desired LSP value is displayed (Fig. 17.2).
5. Display will return to temperature display in approximately 15 seconds.
6. Place alarm probe back in probe bottle.

Fig. 17



## **Viewing high/low log**

Follett's alarm module allows users to view the highest and lowest temperatures recorded since the last time the RESET button was pressed.

To view high and low log values

1. Press SET button until "HI" appears.
2. Press SET button to view HI log value.
3. Press SET button until "LOW" appears.
4. Press SET button to view low log value.
5. Press RESET button to clear log.

## **Alarm operation facts**

The back-up battery will continue to provide alarm protection during power failure but will alarm ONLY if temperatures go out of the selected range. During power failure the alarm face will be dark but temperatures can be read by pressing the RESET button.

Because the temperature alarm display simulates the true temperature of stored medications rather than the air temperature inside the freezer, we suggest that staff refer to the alarm display to log temperatures for JCAHO compliance.

## **Automated medication dispensing and inventory systems interface**

*(Pyxis\*, Omnicell\*, MedSelect\*, etc.)*

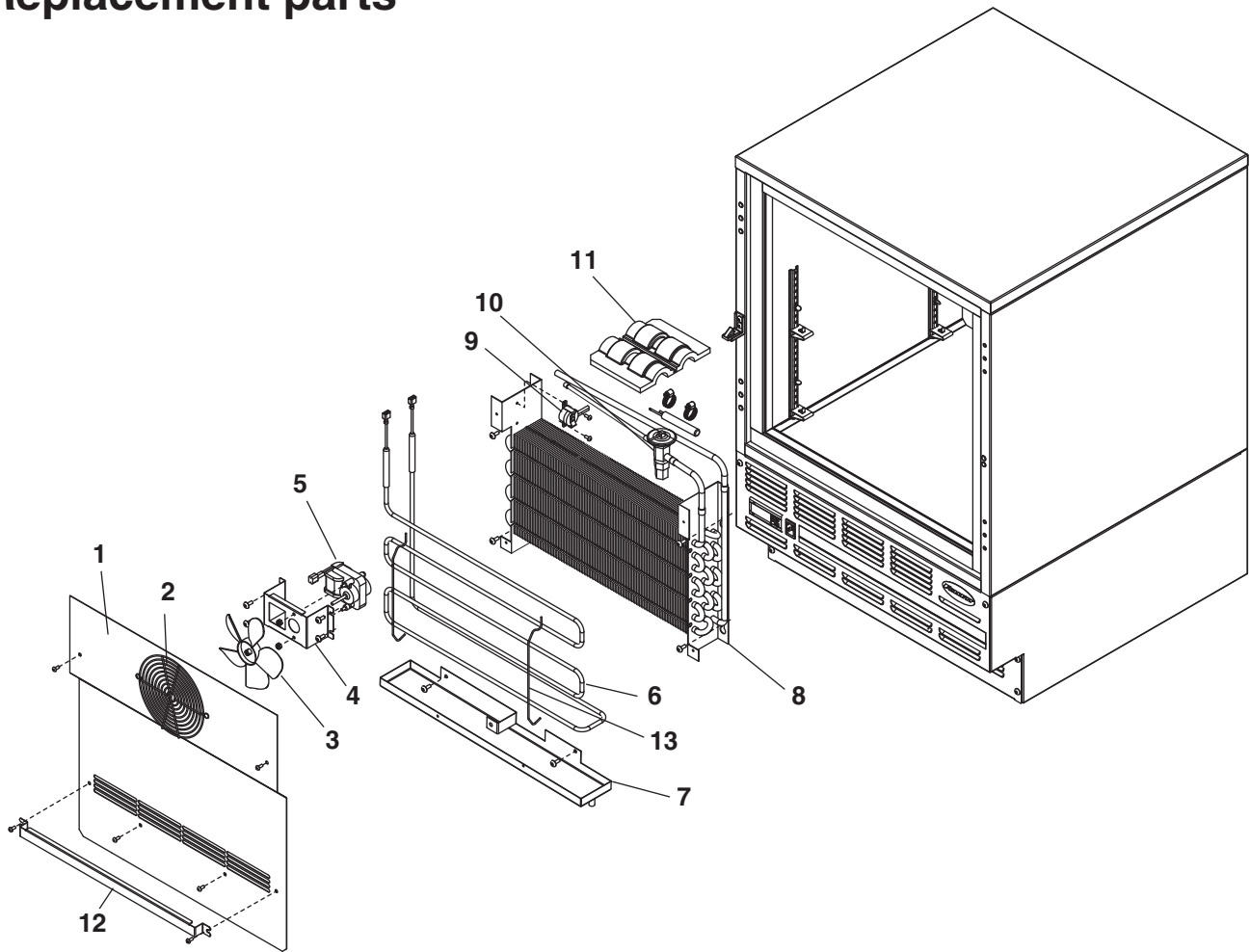
Follett refrigerators and freezers are compatible with most major automatic medication and inventory systems. In some cases a Follett bracket accessory is required. Contact factory for further information.

\*Pyxis is a registered trademark of Cardinal Health in the United States and other countries.

\*Omnicell is a registered trademark of Omnicell, Inc. in the United States.

\*MedSelect is a registered trademark of AmerisourceBergen Technology Group, in the United States.

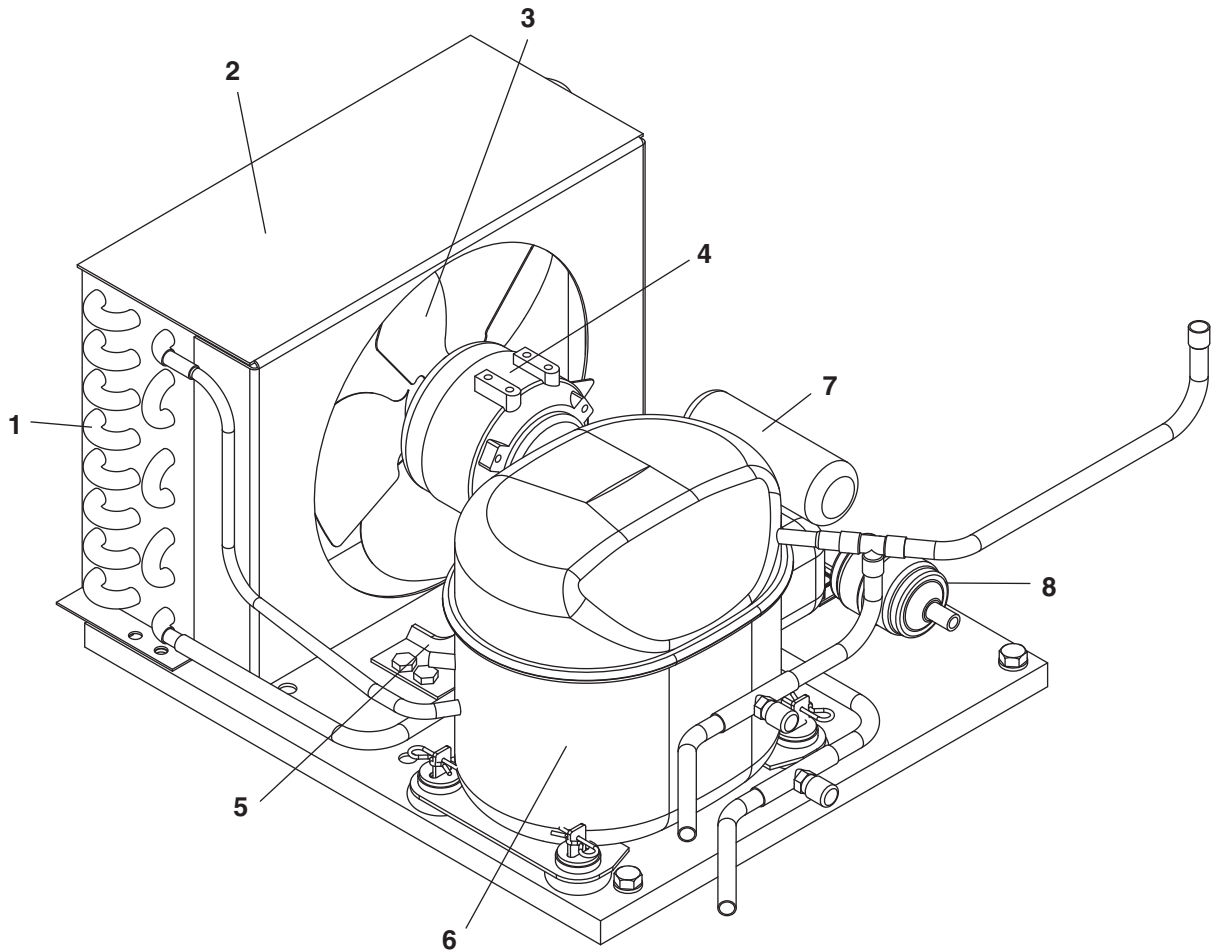
# Replacement parts



## Evaporator

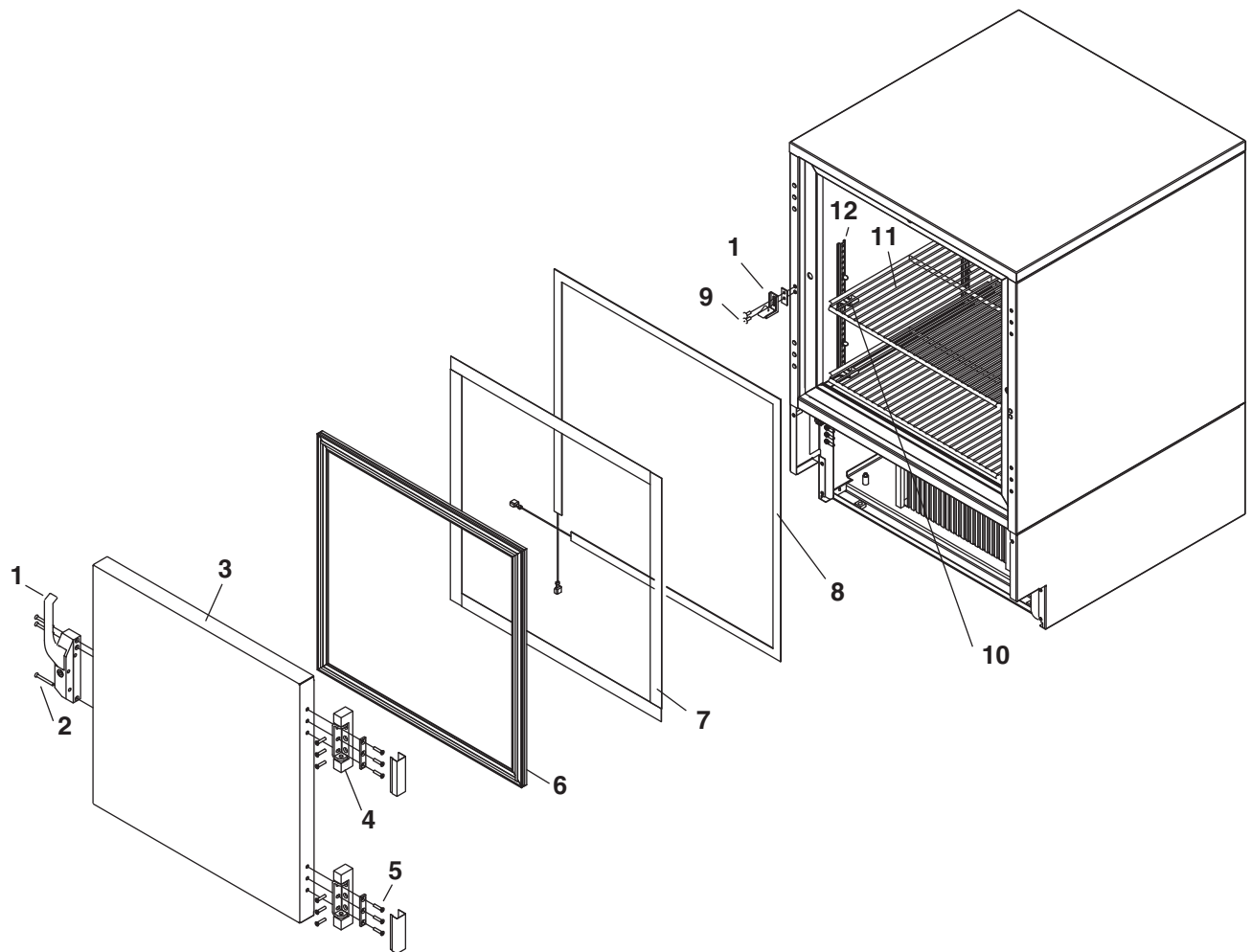
Reference #	Description	Part #
1	Cover, evaporator, FZR5 (includes 00152892)	00155564
1	Cover, evaporator, FZR4-ADA (includes 00152892)	00155572
2	Fan guard	00152892
3	Fan blade	00152991
4	Bracket, fan motor	00152983
5	Fan motor, evaporator	00104919
6	Defrost heater	00152645
7	Drain pan, evaporator, FZR5	00162511
7	Drain pan, evaporator, FZR4-ADA	00155614
8	Evaporator	00151563
9	Heater safety switch	00153932
10	Expansion valve (includes 00106534)	00155671
11	Insulation, bulb	00106534
12	Evaporator cover guard	00157586
13	Clips, defrost heater (2 needed)	00161554





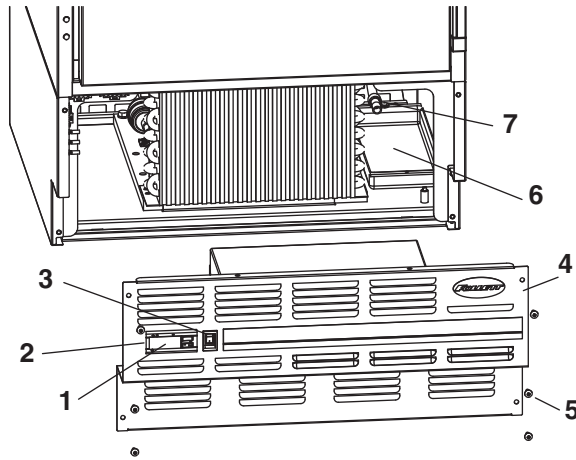
### Condensing Unit

Reference #	Description	Part #
	Condensing unit	00153874
1	Condenser	00157339
2	Shroud, condenser	00157347
3	Condenser fan blade	00105007
4	Condenser fan motor	00104992
5	Fan motor bracket	00157412
6	Compressor	00157313
7	Starting capacitor	00104968
8	Filter drier	502724
Not shown	Starting relay	00157305
Not shown	Overload protector	00104984



**Hardware**

Reference #	Description	Part #
1	Latch & striker includes screws	00105023
2	Latch screws, 3 per latch	00103507
3	Door, FZR5 (includes gasket - 21 3/8" x 21 3/8")	00105015
3	Door, FZR4-ADA (includes gasket - 21 3/8" x 18 5/8")	00113910
4	Hinge, each - 2 required, includes screws	00105031
5	Hinge screws, each - 6 per hinge	00105080
6	Gasket, FZR5	00125732
6	Gasket, FZR4-ADA	00127738
7	Strip sealer (set of 4) FZR5	00130138
7	Strip sealer (set of 4) FZR4-ADA	00130146
8	Door heater, FZR4-ADA (includes 00130146)	00155549
8	Door heater, FZR5 (includes 00130138)	00155531
9	Striker screws, each - 2 per striker	502287
10	Shelf	00152876
11	Shelf support, snap in, each	00156240
12	Pilaster, each	00105346
Not shown	Thumbscrews, set of 8	00105353



### Hardware & electrical components

Reference #	Description	Part #
1	Temperature controller	00900092
2	Faceplate, degrees F	00158055
2	Faceplate, degrees C	00157644
Not shown	Probes & harness	00155705
3	Power switch	00114371
4	Front panel (includes 00114371 and 00105379)	00157669
5	Front panel screws, each - 6 per panel	00105379
Not shown	Rear panel, includes screws	00130161
Not shown	Rear panel screws, each - 6 per panel	00105387
6	Condensate pan	00155622
7	Evaporator drain line, sold by the foot	203627
Not shown	Power cord	00103903

### Temperature alarm accessory

Reference #	Description	Part #
Not shown	Bottle kit (includes bottle, bracket and gasket)	00113779
Not shown	Controller kit (includes battery, probe and power supply)	00108175
Not shown	Gasket, bottle	00112029
Not shown	Bracket, bottle	00112011
Not shown	Bottle	00112037
Not shown	Battery	00112177
Not shown	Screws, (includes two for securing cover)	00115063
Not shown	Label, controller cover	00115071
Not shown	Temperature probe	00115097

