

**INSTALLER/CONSUMER  
SAFETY INFORMATION**

PLEASE READ THIS MANUAL  
BEFORE INSTALLING AND  
USING APPLIANCE.

**WARNING!**

IF THE INFORMATION IN THIS  
MANUAL IS NOT FOLLOWED  
EXACTLY, AN ELECTRICAL  
SHOCK OR FIRE MAY RESULT,  
CAUSING PROPERTY DAMAGE,  
PERSONAL INJURY OR LOSS  
OF LIFE.

**FOR YOUR SAFETY**

SERVICE MUST BE  
PERFORMED BY A QUALIFIED  
SERVICE AGENCY.

DO NOT STORE OR USE  
GASOLINE OR OTHER  
FLAMMABLE VAPORS AND  
LIQUIDS IN THE VICINITY OF  
THIS OR ANY OTHER  
APPLIANCE.



C US

# MAJESTIC™ *Fireplaces*

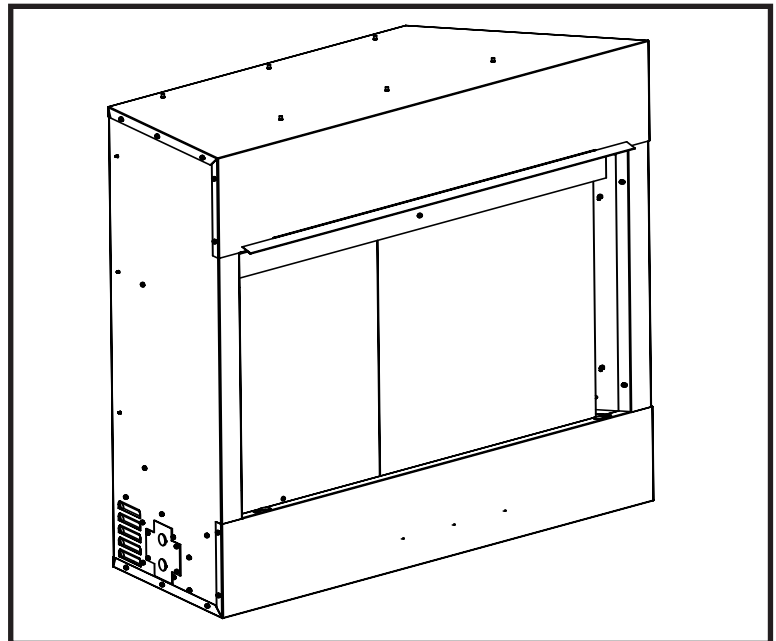
## Electric Fireplace

### Models:

**BREF30/36/42**

**BREF30NH/36NH/42NH**

**BREF36R/42R**



## Homeowner's Installation & Operating Manual

### CFM Specialty Home Products

410 Admiral Blvd. • Mississauga, Ontario, Canada L5T 2N6 • 905-670-7777  
www.majesticproducts.com • www.vermontcastings.com

**INSTALLER: DO NOT DISCARD THIS MANUAL - LEAVE FOR HOMEOWNER**

10004758 11/05 Rev. 5

# Table of Contents

**Please read the Installation & Operating Instructions before using this appliance.**

***Thank you, and Congratulations on your purchase of a  
CFM Specialty Home Products Electric Fireplace.***

**IMPORTANT:** Read all instructions and warnings carefully before starting installation. Failure to follow these instructions may result in possible electric shock, fire hazard, and/or injury, and will void the warranty.

<b>Installation Instructions</b>		
General Information .....		3
Wiring .....		3
Electrical Connection .....		3
Fireplace Dimensions .....		4
Electrical Specifications .....		4
Mantels .....		5
Framing .....		5
Finishing .....		6
Locating your Electric Fireplace .....		6
Clearance to Combustibles .....		6
Hearth .....		6
Cabinet Installations .....		6
Main Power Wall Switch Wiring .....		6
120 Volt Wall Switch Wiring Installation .....		6
240 Volt Wall Switch Wiring Installation .....		7
120/240 Volt Wall-Mounted Thermostat Wiring .....		7
Installation Cautions .....		7
120 Volt Unit Installation .....		8
120 Volt (NH) Unit Installation .....		8
240 Volt Unit Installation .....		8
Resetting the Temperature Cutout Switch .....		8
Screen Kit Installation .....		9
<b>Service Instructions</b>		
Maintenance of Motor .....		9
Installation of BREF36/BREF36R with Ceramic Log Set .....		9
Installation of BREF42/BREF42R with Ceramic Log Set .....		9
Replacing Light Bulbs .....		10
Cleaning Trim .....		10
Electrical Wiring Diagram without Integral Remote Control w/Ceramic Log Set .....		11
Electrical Wiring Diagram with Integral Remote Control w/Ceramic Log Set .....		12
Electrical Diagram with Heater and Integral Remote Control .....		13
Electrical Diagram without Heater and Integral Remote Control .....		14
<b>Operating Instructions for Units with Ceramic Log Sets</b>		
On/Off Switch .....		15
Heater Control .....		15
Relearn .....		15
On/Off .....		15
<b>Operating Instructions for all Other Units</b>		
On/Off Switch .....		16
Heater Control .....		16
Remote Control .....		16
<b>Replacement Parts</b> .....		17
<b>Accessories</b> .....		20
<b>Warranty</b> .....		23
For Units:	(all other units)	
(with ceramic log set)		
BREF36 FE10R0	BREF30 EFHM4H0	
BREF36R FE10R1	BREF30NH EFN1H0	
BREF42 GE10R0	BREF36 EFHM4J0	
BREF42R GE10R1	BREF36NH EFN1J0	
	BREF42 EFHM1M0	
	BREF42NH EFN1M0	

# Installation Instructions

## General Information

1. Read all instructions before using this appliance.
2. This appliance is hot when in use. To avoid burns, do not let bare skin touch hot surfaces. If provided, use handles when moving this appliance. Keep combustible materials, such as furniture, pillows, bedding, papers, clothes and curtains at least 3 feet (1 m) from the front of this appliance.



**CAUTION: Extreme caution is necessary when any heater is used by or near children or invalids, and whenever the heater is left operating and unattended.**

3. Do not operate any heater if the appliance malfunctions, or if it has been dropped or damaged in any manner.
4. Any repairs to this fireplace should be carried out by a qualified service person.
5. Under no circumstances should this fireplace be modified. Parts having to be removed for servicing must be replaced prior to operating this fireplace again.
6. Do not use outdoors.
7. This heater is not intended for use in bathrooms, laundry areas and similar indoor locations. Never locate this appliance where it may fall into a bathtub or other water container.
8. This appliance, when installed, must be electrically grounded in accordance with local codes, or, in the absence of local codes, with the current CSA C22.1 Canadian Electrical Code; for U.S.A. installations, follow local codes and the National Electrical Code, ANSI/NFPA NO. 70.
9. Do not insert or allow foreign objects to enter any ventilation or exhaust opening, as this may cause an electric shock or fire, or damage the appliance.
10. To prevent a possible fire, do not block air intake or exhaust in any manner. Do not use on soft surfaces (e.g., beds) where openings may become blocked.
11. This appliance has hot and arcing or sparking parts inside. Do not use it in areas where gasoline, paint or flammable liquids are used or stored. This fireplace should not be used as a drying rack for clothing, nor should Christmas stockings or decorations be hung in the area of it.
12. Use this appliance only as described in this manual. Any other use not recommended by the manufacturer may cause fire, electric shock or injury to persons.
13. Do not burn wood or other materials in this fireplace.
14. Do not strike the fireplace glass.
15. Always use a certified electrician for installation.

16. Disconnect all power coming to fireplace at main service panel before performing any cleaning or maintenance.
17. Do not install this fireplace on carpet or vinyl floors, as discoloration may occur.
18. SAVE THESE INSTRUCTIONS.

## Wiring



**Ensure the power conversion/switch (if equipped) is in the proper position for required supply voltage prior to connecting the unit to power supply.**



**Do not use this fireplace if any part of it has been under water. Immediately call a qualified service technician to inspect the fireplace and replace any part of the electrical system that has been under water.**



**A qualified electrician must perform any electrical wiring of this appliance. This wiring must be done in accordance with local codes, and/or in Canada, with the current CSA C22.1 Canadian Electrical code; for U.S.A. installation, National Electrical Code ANSI/NFPA No. 70.**

**NOTES: The unit is shipped from the factory configured for 120 Volt operation.**

**Ensure the power conversion switch is in the proper position for the required supply voltage.**

**All wiring must be completed prior to installing the unit.**

## Electrical Connection

1. Loosen the screws securing junction box cover.
2. Remove knockouts in the box cover to use a cable clamp.
3. Place the unit in position in the opening. Level it with shims if necessary, and attach the unit to the frame using the nailing flanges provided.
4. The unit is factory wired for 120 Volt power supply. If 208/240 Volt operation is required, flip the switch located on junction box and reconfigure the wiring as covered on page 7. Wires L1, L2, N, and G are located inside the junction box.
5. Wire a dedicated, properly fused, 20 Amp rated circuit for appropriate voltage (120 or 208/240).
6. Place all connectors inside junction box and replace the cover to ensure connections are tight.

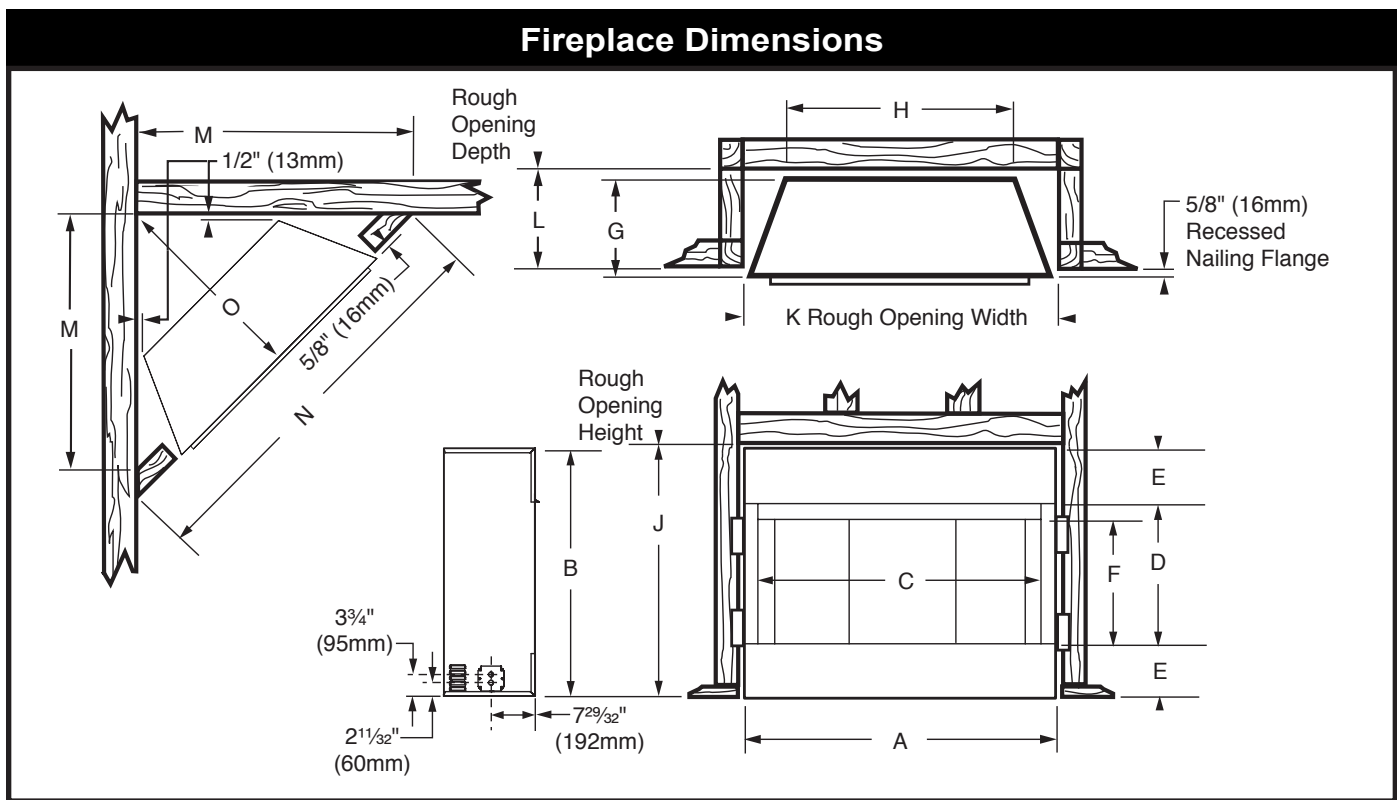


Fig. 1 Fireplace specifications and framing dimensions.

Ref.	BREF30/BREF30NH	BREF36/BREF36NH/BREF36R	BREF42/BREF42NH/BREF42R
A	34" (864 mm)	40" (1016mm)	45 <sup>57</sup> / <sub>64</sub> " (1166mm)
B	36" (914 mm)	36" (914mm)	36" (914mm)
C	30" (762 mm)	36" (914mm)	42" (1067mm)
D	21" (533 mm)	21" (533mm)	21" (533mm)
E	7 <sup>1</sup> / <sub>2</sub> " (191 mm)	7 <sup>1</sup> / <sub>2</sub> " (191mm)	7 <sup>1</sup> / <sub>2</sub> " (191mm)
F	19 <sup>3</sup> / <sub>4</sub> " (502 mm)	19 <sup>3</sup> / <sub>4</sub> " (502mm)	19 <sup>3</sup> / <sub>4</sub> " (502mm)
G	14" (356 mm)	14" (356mm)	16" (406mm)
H	27 <sup>1</sup> / <sub>2</sub> " (698 mm)	27 <sup>1</sup> / <sub>2</sub> " (698mm)	31 <sup>11</sup> / <sub>16</sub> " (85mm)
<b>Framing Dimensions</b>			
J	36 <sup>1</sup> / <sub>2</sub> " (927 mm)	36 <sup>1</sup> / <sub>2</sub> " (927mm)	36 <sup>1</sup> / <sub>2</sub> " (927mm)
K	35" (889 mm)	41" (1041mm)	46 <sup>57</sup> / <sub>64</sub> " (1191mm)
L	14" (356 mm)	14" (356mm)	16" (406mm)
M	37 <sup>1</sup> / <sub>2</sub> " (953 mm)	37 <sup>1</sup> / <sub>2</sub> " (953mm)	49" (1245mm)
N	54" (1372 mm)	54" (1372mm)	69 <sup>1</sup> / <sub>2</sub> " (1765mm)
O	27" (686 mm)	27" (686mm)	35 <sup>1</sup> / <sub>4</sub> " (895mm)

<b>Electrical Specifications</b>			
Voltage:	120 Volt	120 Volt (NH)	240 Volt
Total Amps:	13 Amps	2 Amps	12.9 Amps
Total Watts:	1550 Watts	240 Watts	3100 Watts
Heater Rating:	1455 Watts	N/A	2855 Watts

## Mantels

The height that a combustible mantel is fitted above the fireplace is dependent on the depth of the mantel. This also applies to the distance between the mantel leg (if fitted) and the fireplace.

For correct mounting height and width, refer to Figure 2a and 2b.

The distances and reference points are not affected by the fitting of a bay window front trim kit.

Noncombustible mantels and legs may be installed at any height and width around the appliance.

When using paint or lacquer to finish the mantel, such paint or lacquer must be heat-resistant to prevent discoloration.

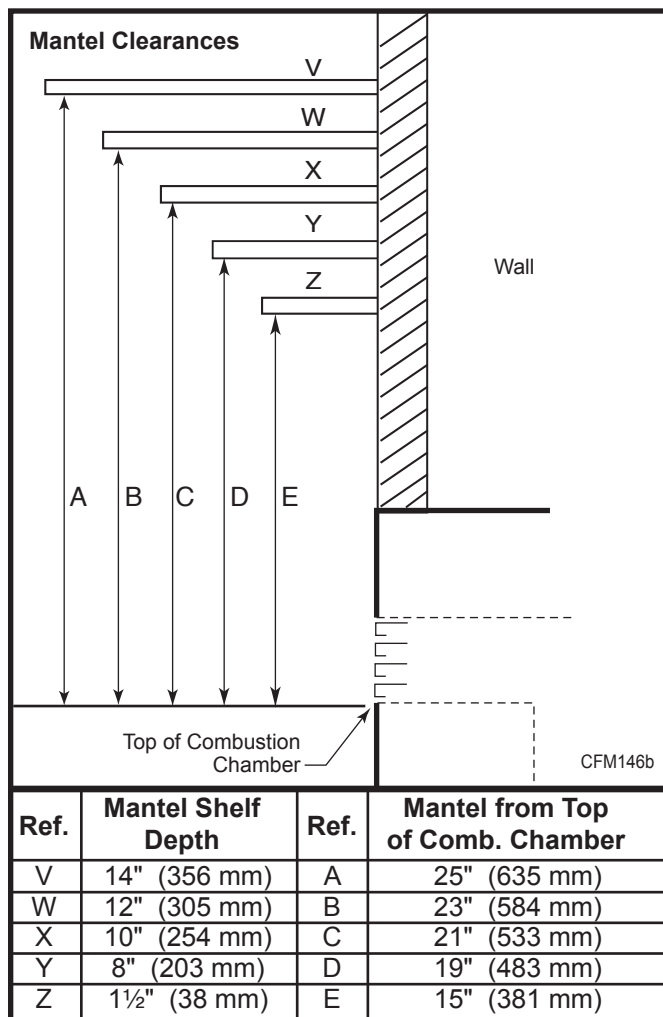
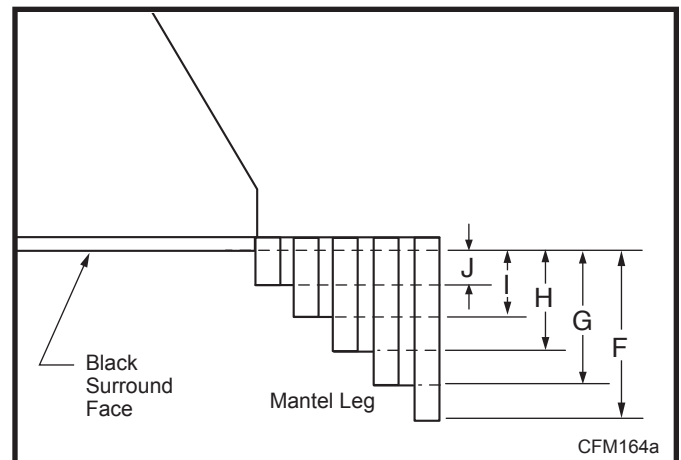
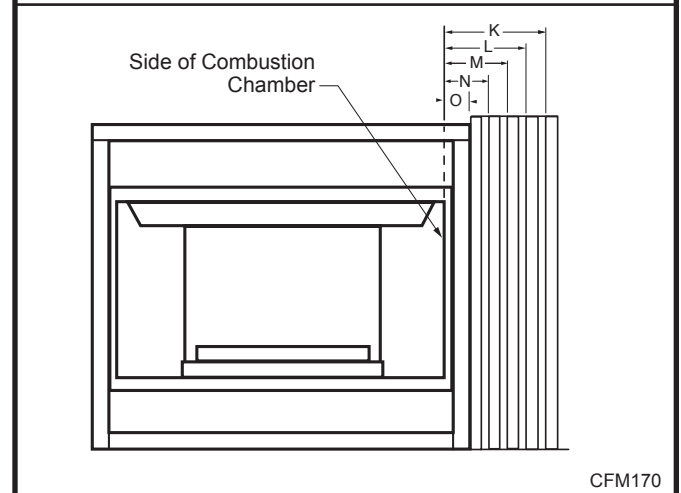


Fig. 2a Combustible mantel minimum installation.



CFM164a



CFM170

Ref.	Mantel Leg Depth	Ref.	Mantel Leg from Side of Comb. Opening
F	14" (356 mm)	K	14" (356 mm)
G	12" (305 mm)	L	12" (305 mm)
H	10" (254 mm)	M	10" (254 mm)
I	8" (203 mm)	N	8" (203 mm)
J	1½" (38 mm)	O	1½" (38 mm)

Fig. 2b Combustible mantel leg minimum installation.

## Framing

1. Choose fireplace location.
2. Place fireplace into position.
3. Frame in the fireplace with a header across the top. It is important to allow for finished face when setting the depth of the frame.

Four (4) nailing flanges are supplied with the fireplace (found on the fireplace hearth). To level the box and secure it firmly in place, remove the nailing flanges from the hearth and install at the sides of the fireplace as shown in Figure 3.

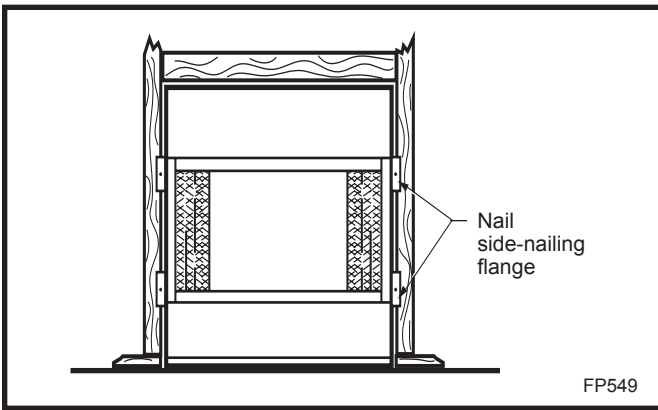


Fig. 3 Adjustable drywall strip (nailing flange).

### Finishing



**CAUTION:** All joints between the finished wall and the appliance surround (top and sides) may be sealed only with noncombustible material. Only noncombustible material can be applied as facing to the appliance surround (the black painted face).

When finishing the appliance, never obstruct or modify the air inlet/outlet grilles in any manner.

**NOTE:** Finish the wall with the material of your choice. Refer to Figures 2a and 2b for specific clearances when installing a combustible mantel or other combustible projection.

### Locating your Electric Fireplace

Your new fireplace may be installed into an existing masonry or zero-clearance fireplace. It may also be installed using a prefabricated cabinet available from your dealer, or be built into a wall.

When choosing a location for your new fireplace, ensure that the general instructions are followed. Also, for best effect, install the fireplace out of direct sunlight.

### Clearance to Combustibles

Sides .....	0" (0 mm)
Floor .....	0" (0 mm)
Top .....	0" (0 mm)

### Hearth

A hearth is not mandatory; however, for aesthetic purposes, we recommend use of a noncombustible hearth that does not obstruct the air openings.



**Cold Climate Installation:** To conform to applicable insulation codes, it is mandatory the outer walls be insulated when installing this unit against a non-insulated exterior wall or chase.

### Cabinet Installations

Cabinets are available from your dealer which allow fast, convenient installation of your fireplace against existing walls.

### Main Power Wall Switch Wiring



To reduce the risk of fire, electrical shock, and personal injury, before attempting maintenance or service, disconnect all power to the fireplace at the main service panel.

### 120 Volt Wall Switch Wiring Installation



A qualified electrician must perform any electrical wiring of this appliance. For Canadian installations, wiring must be done in accordance with local codes, and/or the current CSA C22.1 Canadian Electrical Code. For U.S.A. installations, wiring must be done in accordance with the National Electrical Code ANSI/NFPA No. 70.

**NOTE:** For 120 Volt installations, use a single-pole, single-throw, 20 Amp-rated wall switch. (NH models do not require the 20 Amp switch. A regular 15 Amp wall switch may be used.)

**Wiring of the wall switch must be completed prior to installing the unit.**

Connect the wall-mounted switch to the fireplace by running grounded 2-conductor wire (Min. 14 AWG) to the switch from the junction box on the side of the unit.

1. Locate the voltage selection switch under the logset on the left front corner of the unit. (Not applicable to NH models)
2. Ensure the switch is in the 120 Volt position. (Not applicable to NH models.)
3. Loosen the screws securing the junction box cover, and remove the cover.
4. Remove knockouts in the box cover to use a cable clamp.
5. Pull out two (2) wires: black and white.
6. Connect the hot wire (black) from the wall switch to the L1 (black) wire on the unit, and the other wire from the wall switch to the L1 (black) wire on the power supply.

7. Connect the white wire from the unit to the neutral (white) wire on the power supply.
8. Connect the ground wire from the wall switch to the wire grouping from the power supply and the ground stud in the junction box.
9. Make sure the red wire (L2) in the junction box has a closed end splice or a wire nut properly applied.
10. Ensure all connections are tight. Insert all wiring inside the junction box and secure the cover.

### 240 Volt Wall Switch Wiring Installation



**A qualified electrician must perform any electrical wiring of this appliance. For Canadian installation, wiring must be done in accordance with local codes, and/or the current CSA C22.1 Canadian Electrical Code. For U.S.A. installation, wiring must be done in accordance with the National Electrical Code ANSI/NFPA No. 70.**

**NOTE: For 240 Volt installations, use a double-pole, single-throw, 20 Amp, 240V rated wall switch.**

**Wiring of the wall switch must be completed prior to installing the unit.**

Connect the wall-mounted switch to the fireplace by running grounded 3-conductor wire (MIN. 14 AWG) to the switch from the junction box on the side of the unit.

1. Locate the voltage selection switch under the logset on the left front corner of the unit.
2. Move the switch from the 120 Volt to the 240 Volt position.
3. Loosen the screws securing the junction box cover, and remove the cover.
4. Remove knockouts in the box cover to use a cable clamp.
5. Pull out three (3) wires: black, red, and white.
6. Connect one (1) wire (black) from the wall switch to the L1 (black) wire on the unit, and the other wire from the wall switch to the L1 (black) wire on the power supply.
7. Connect one (1) of the wires from the wall switch to the L2 (red) wire on the unit, and the other wire from the wall switch to the L2 (red) wire on the power supply.
8. Connect the white wire from the unit to the neutral (white) wire on the power supply.
9. Connect the ground wire from the wall switch to the wire grouping from the power supply and ground stud in the junction box.
10. Ensure all connections are tight. Insert all wiring inside the junction box and secure the cover.

### 120/240 Volt Wall-Mounted Thermostat Wiring



**Before attempting maintenance or service—to reduce risk of fire, electrical shock and personal injury—disconnect all power to the fireplace at the main service panel.**

**NOTE: Wiring of the wall thermostat must be completed prior to the installation of the unit.**

**Use a single pole thermostat rated for 120/240 Volt operation.**

**When installing the wall thermostat, make sure to turn the heater control inside fireplace all the way clockwise to the highest set point temperature.**

Connect the wall-mounted thermostat to the fireplace by running a grounded 2-conductor wire (min. 14 AWG) to the thermostat from the junction box on the side of the unit.

1. Loosen the screws securing the junction box cover and remove the cover.
2. Remove knockouts in the box cover to use a cable clamp.
3. Pull out the two (2) brown wires with the closed end splice at the end.
4. Cut off the closed end splice, separate the two wires, and strip approximately 5/8" (15mm).
5. Connect one (1) wire from the thermostat to one (1) of the brown wires; connect the other wire from the thermostat to the other brown wire.
6. Connect the ground wire from the wall thermostat to the power supply wire group and the ground stud in the junction box.
7. Ensure all connections are tight. Insert all wiring into the junction box and secure the cover.

### Installation Cautions



**Make sure the power is turned OFF before proceeding.**



**If repairing or replacing any electrical component or wiring, the original wire routing, color coding and securing locations must be followed.**



**Any electrical repairs or rewiring of this unit should be carried out by a licensed electrician in accordance with national and local codes.**

## 120 Volt Unit Installation

1. Locate the switch under the logset on the left front corner of the unit.
2. Check the voltage selection switch position to ensure it is in the 120 Volt position.
3. Loosen the screws securing the junction box cover and remove the cover.
4. Remove knockouts in the box cover to use the cable clamp.
5. Pull out two (2) wires: black and white.
6. Connect the black wire from the unit to the L1 (black) from the power supply. Connect the white wire from the unit to the neutral (white) from the power supply.

**NOTE: Wiring must be connected to a 20 Amp dedicated circuit breaker or fuse in the electrical panel of the dwelling.**

7. Connect the ground wire from the power supply to ground stud in the junction box.
8. Make sure the red wire (L2) in the junction box has a closed end splice or a wire nut properly applied.
9. When the unit has been configured for the appropriate power supply voltage, ensure all connections are tight. Insert all wiring inside the junction box and secure the cover.
10. Turn the power to the unit on at the breaker/fuse panel. Place the unit into operation and check to make sure the whole system is operating properly.

## 120 Volt (NH) Unit Installation

1. Loosen the screws securing the junction box cover and remove the cover.
2. Remove knockouts in the box cover to use the cable clamp.
3. Pull out two (2) wires: black and white.
4. Connect the black wire from the unit to the L1 (black) from the power supply. Connect the white wire from the unit to the neutral (white) from the power supply.
5. Connect the ground wire from the power supply to the ground stud in the junction box.
6. Ensure all connections are tight. Insert all wiring inside the junction box and secure the cover.
7. Turn the power to the unit on at the breaker/fuse panel. Place the unit into operation and check to make sure the system is operating properly.

## 240 Volt Unit Installation

1. Locate the voltage selection switch under the logset on the left front corner of the unit.
2. Check the switch position to ensure it is in the 240 Volt position.
3. Loosen the screws securing the junction box cover and remove the cover.
4. Remove knockouts in the box cover to use the cable clamp.

5. Pull out three (3) wires: black, red, and white.
6. The unit is shipped from factory with a closed end splice on the red wire. Cut off this splice and strip approximately 5/8" (15mm) wire sheathing.
7. Connect the black wire from the unit to the L1 (black) from the power supply. Connect the red wire from the unit to the L2 (red) from the power supply. Connect the white wire from the unit to the neutral (white) from the power supply.

**NOTE: Wiring must be connected to a 20 Amp dedicated circuit breaker or fuse in the electrical panel of the dwelling.**

8. Connect the ground wire from the power supply to ground stud in the junction box.
9. When the unit has been configured for the appropriate power supply voltage, ensure all connections are tight. Insert all wiring inside the junction box and secure the cover.
10. Turn the power to the unit on at the breaker/fuse panel. Place the unit into operation and check to make sure the whole system is operating properly.

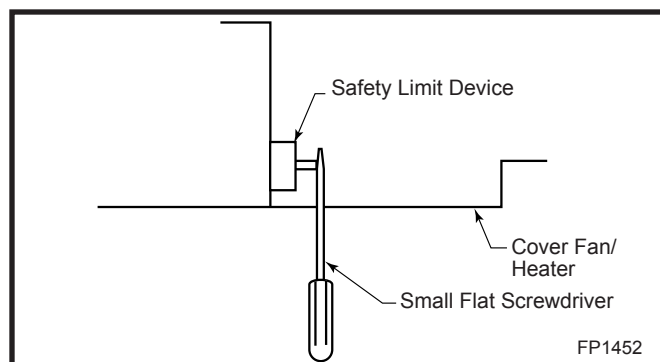
## Resetting the Temperature Cutout Switch



**To reduce the risk of fire, electrical shock, and personal injury, before attempting maintenance or service, disconnect all power to the fireplace at the main service panel.**

**NOTE: The heater on this fireplace is protected with a safety limit device to prevent overheating. Should the heater overheat, an automatic cutout turns the heater OFF; it will not come back ON without being manually reset.**

The safety limit device is located in a cutout at the right front top corner by the cover fan/heater. To reset the switch, insert a small flat screwdriver into this cutout and push the reset button on the safety limit device.



**Fig. 4** Reset the switch with a small flat screwdriver.



## Screen Kit Installation

1. Remove the plastic bag from each screen.
2. Remove the four (4) metal clips, two (2) for each side of the fireplace opening.
3. Slide screen panels against sides of the fireplace opening.
4. Align each metal clip with the hole it was removed from, while at the same time, hooking the clip through the last wire of the screen. Snap clips into place. (Fig. 5)
5. Pull screens back and forth to ensure they work freely.

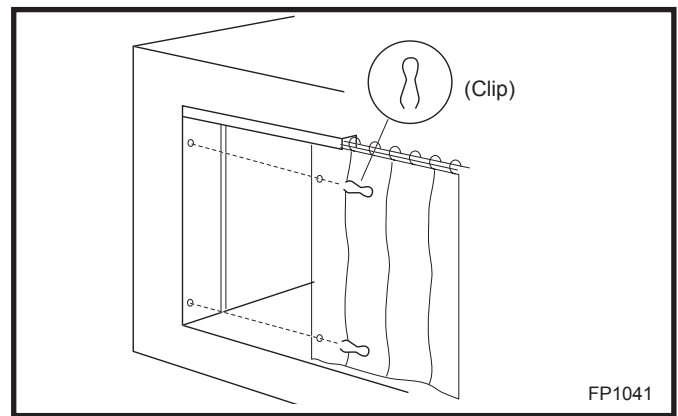


Fig. 5 Clip installation.

## Service Instructions



**To reduce the risk of fire, electrical shock or personal injury, disconnect all power coming to the fireplace at the main service panel before attempting any maintenance or cleaning.**

### Maintenance of Motor

The motors used on the fan and the drum assemblies are pre-lubricated for extended bearing life, and require no further lubrication. However, periodic cleaning/vacuuming of the fan/heater is recommended.

### Installation of BREF36/BREF36R with Ceramic Log Set

1. Turn OFF power to the unit at the main service panel.
2. Open glass (if applicable); open the steel curtain.
3. Remove logs from packaging.  
**NOTE: The ember lava rock is shipped in place; no adjustment is necessary.**
4. Fit the right log (B111) onto the plate log support. Ensure the bottom holes of B111 are located on the two pins of the support.
5. Place the center log (B112) on the ember lava rock. Use the notches under the center portion of B112 to locate it properly.
6. Place the bottom left log (B113) into position by resting the hole under the center of B113 over the knob on center top of B112. The other end of B113 rests against the back wall of the plate log support.
7. Fit the top left log (B114) onto the plate log support. Ensure the bottom holes of B114 are located on the two (2) pins of the support; rest the other end of B114 on the top back of B113.

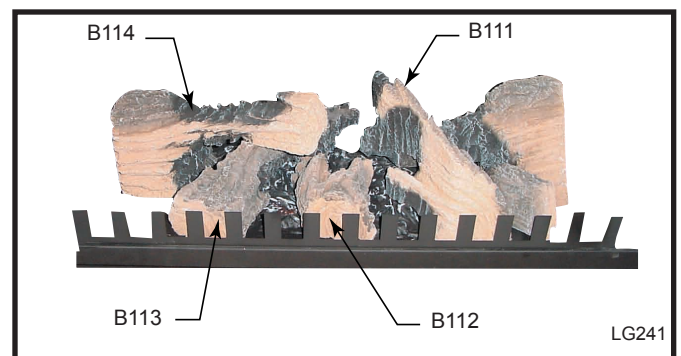


Fig. 6 BREF/BREF36R ceramic log set placement.

### Installation of BREF42/BREF42R with Ceramic Log Set

1. Turn OFF power to the unit at the main service panel.
2. Open glass (if applicable); open the steel curtain.
3. Remove logs from packaging.  
**NOTE: The ember lava rock is shipped in place; no adjustment is necessary.**
4. Place the front center log (G3) on the ember lava rock. Use the notches under the center front of the log to properly locate the log.
5. Fit the right rear log (G1) on the place support. Ensure the bottom holes of G1 are located on the two (2) pins of the support; rest the other end of G1 on the top back of G3.
6. Fit the left rear log (G2) on the place support. Ensure the bottom holes of G2 are located on the two (2) pins of the support.
7. Place the front left log (G4) in position by resting the front left back log on the top right log rear left (G2). The front of this log will rest against the back wall of the log support plate.

- Place the right front log (G5) in position on the ember lava rock. Use the notches under the log front right to have a proper location.

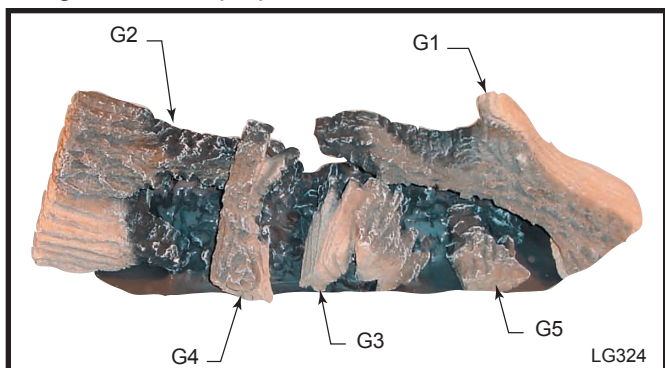


Fig. 7 BREF42/BREF42R ceramic log placement.



**To reduce the risk of fire, electrical shock or personal injury, disconnect all power coming to the fireplace at the main service panel before attempting any maintenance or cleaning.**

### Replacing Light Bulbs

This fireplace uses four (4) clear, 120 Volt, 60 Watt, E-12 socket base (small base, chandelier candle-type) light bulbs. These lights are located under the ember bed of the unit.



**Do not exceed 60 Watts per bulb. Use of higher-rated bulbs may result in fire, causing property damage, personal injury, or loss of life.**

**NOTE:** For the sake of convenience, you may wish to consider replacing all the light bulbs if one of them burns out.

- Turn OFF the power to the unit at the main service panel.
- If the fireplace has been operating, allow it to cool.
- Open glass (if applicable); open steel curtain.
- Remove the log. Remove the two (2) screws, one on each side of the ember bed/plate support log set down. Remove the ember bed/plate support log set.
- Examine the bulbs to determine which one(s) need to be replaced (if you are not going to replace all).
- Install new light bulb(s) by screwing in while holding the socket.
- Reinstall the ember bed, log set, glass door, and steel curtain.

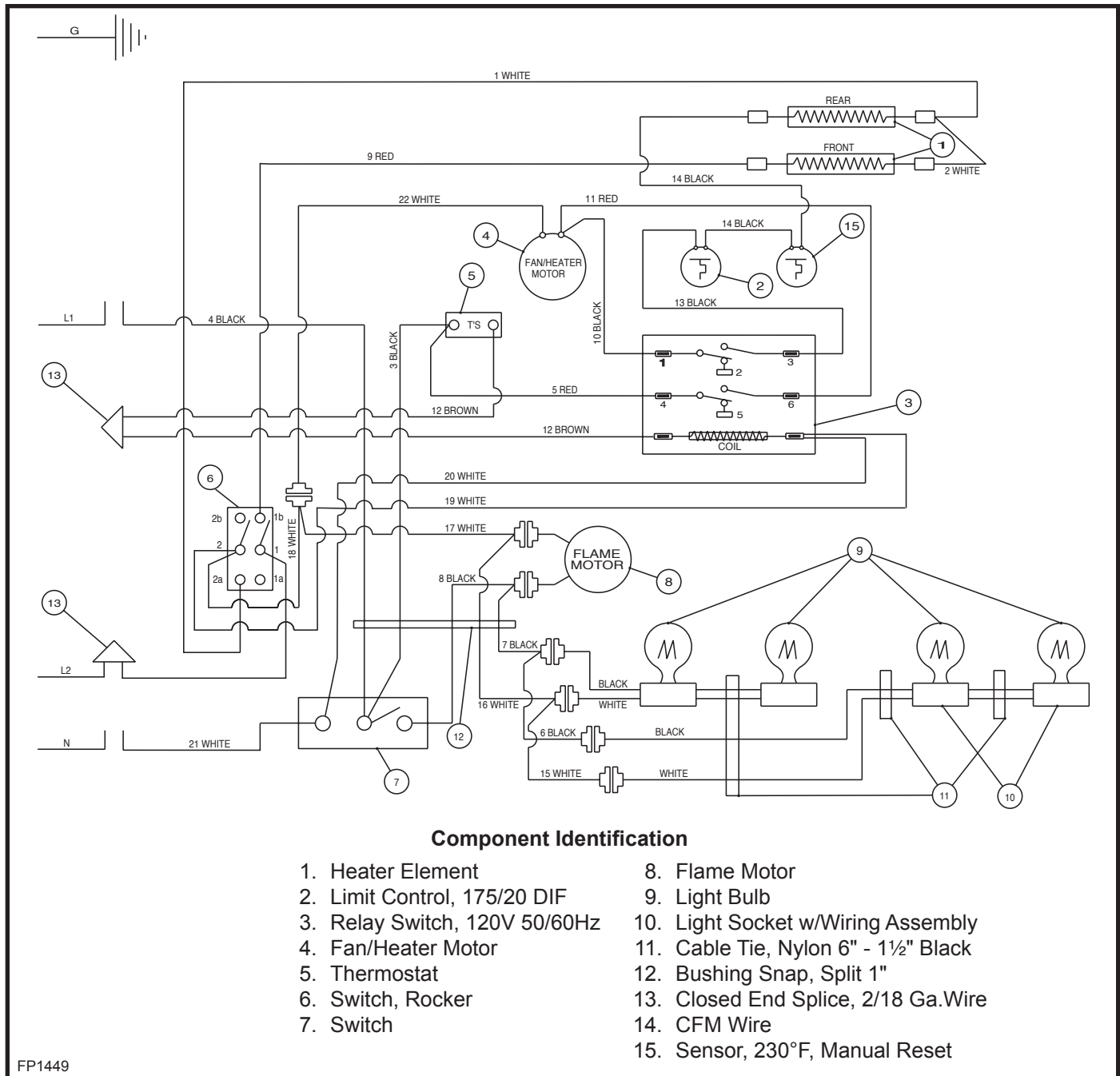
### Cleaning Trim

Clean the trim using a soft cloth you have slightly dampened with lemon oil; then buff with a clean soft cloth.

**NOTE:** You can obtain lemon oil at super-markets and hardware stores. Do not use commercially made brass polish or household cleaners, as these products will damage the trim.

## Electrical Wiring Diagram without Integral Remote Control

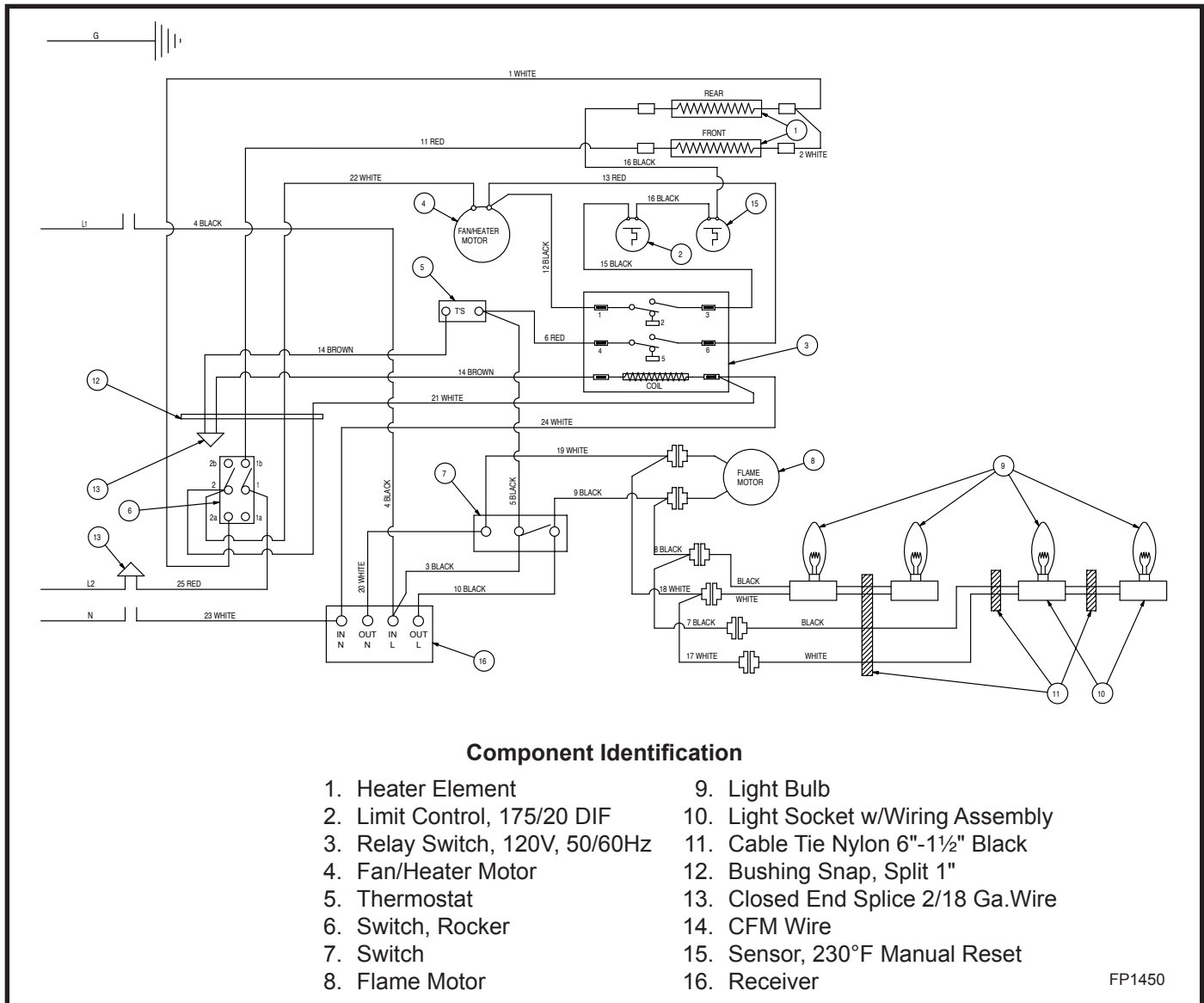
For Units with Ceramic Log Sets (Refer to Figures 6 & 7)



**Fig. 8** Wiring Diagram for units with ceramic log set. (Refer to Figure 6 & 7)

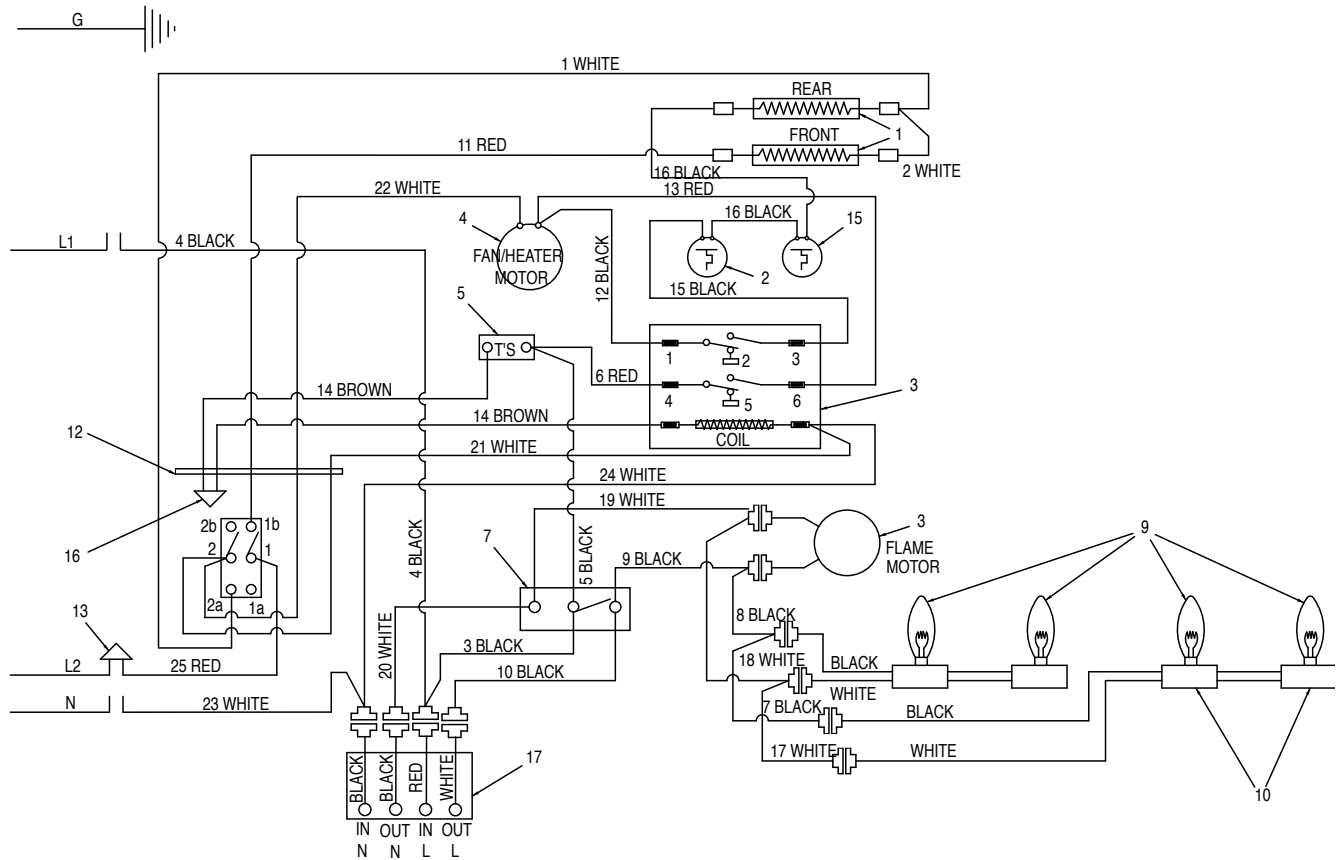
## Electrical Wiring Diagram with Integral Remote Control

For Units with Ceramic Log Sets (Refer to Figures 6 & 7)



**Fig. 9** Wiring Diagram for units with ceramic log set. (Refer to Figures 6 & 7) BREF36R/BREF42R

## Electrical Wiring Diagram with Heater and Integral Remote Control



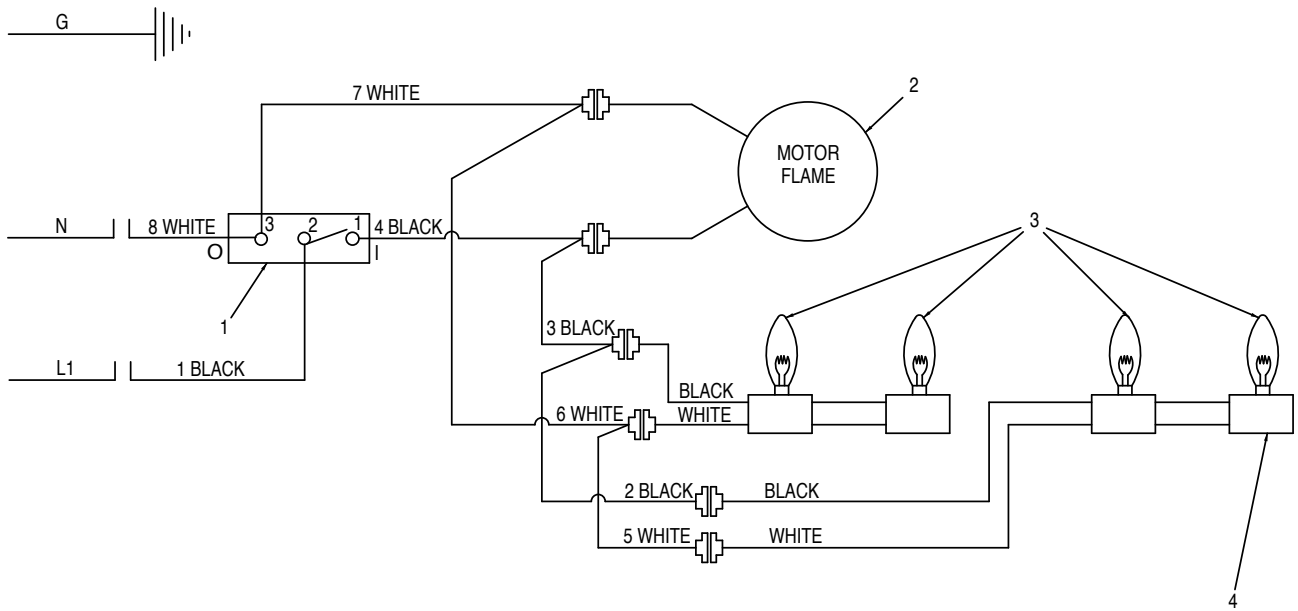
### Component Identification

- |                                   |                                      |
|-----------------------------------|--------------------------------------|
| 1. Heater Element                 | 9. Light Bulb                        |
| 2. Limit Control, 175/20 DIF      | 10. Light Socket w/Wiring Assembly   |
| 3. Relay Switching, 120V, 50/60Hz | 12. Bushing Snap, Split 1"           |
| 4. Fan/Heater Motor               | 13. Closed End Splice 2/18 Ga. Wire  |
| 5. Thermostat                     | 14. CFM Wire Req'd BREF36            |
| 6. Switch, Rocker                 | 15. Sensor, 230°F Manual Reset       |
| 7. Switch                         | 16. Closed End Splice 3/4" 18GA Wire |
| 8. Flame Motor                    | 17. Receiver                         |

FP1541

**Fig. 10** Wiring diagram for models with heat.

### Electrical Wiring Diagram without Heater and Integral Remote Control



#### CFM Component Identification

1. Switch
2. Flame Motor
3. Light Bulb
4. Light Socket w/Wiring Assembly
6. CFM Wire req'd

FP1540

Fig. 14 Wiring diagram for models without heat. (BREF30NH/BREF36NH/BREF42NH)

## Operating Instructions

### For units with ceramic log sets. (Figs. 6 & 7)

This set of instructions applies to units with ceramic log sets. (Figs. 6 & 7) The control compartment is located inside the fireplace behind the steel curtain near the left front corner. To access the controls, simply slide the steel curtain open.

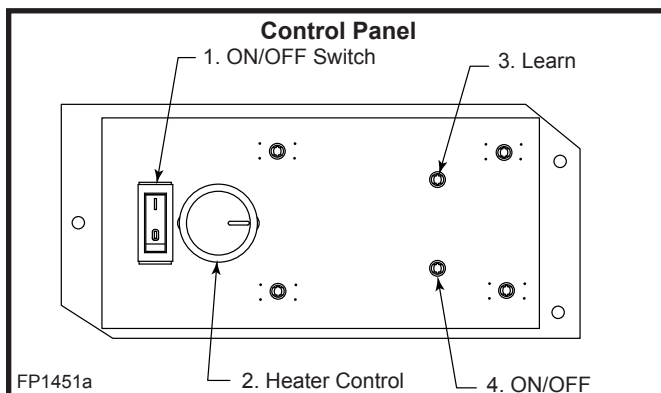


Fig. 12 Control panel.

### 1. ON/OFF Switch

The ON/OFF switch is for supplying power to light effects of the fireplace. This switch is normally illuminated to indicate there is electrical power to the unit.

### 2. Heater Control

The heater control acts to turn the heater ON and OFF, as well as setting the comfort level in the room.

Turn the knob clockwise from the "OFF" position to place the heater into operation. The further the knob is rotated clockwise, the higher the set point temperature.

Turn the knob counterclockwise to lower the set point temperature. Turn it all the way counterclockwise to turn the heater function OFF.

### 3. Relearn

The BREF36R and BREF42R fireplaces with integral remote control have pre-programmed, matched-pair receiver/transmitters already set with randomly selected house codes. It is highly unlikely that the fireplace code will ever need to be relearned. If the fireplace needs to relearn receiver/transmitter house codes, perform the following steps:

1. Be sure there is power to the fireplace.
2. Be sure there is a good battery in the transmitter (hand-held remote).
3. Open the battery compartment of the remote.
4. Press and release the small button located in the top left corner. This will randomly select a new house code in the remote transmitter.
5. Close the remote transmitter battery compartment.
6. Press either the ON or OFF button on the remote transmitter, and the Learn button on the fireplace at the same time. The fireplace is now ready to accept commands from the remote transmitter.

### 4. ON/OFF

The ON/OFF button on the fireplace (below the Learn button) is to turn the fireplace ON and OFF when the battery in remote transmitter is weak, or to manually operate the fireplace without the remote transmitter.

**NOTE: The device complies with Part 15 of the FCC Rules. Operation is subject to the following two condition:**

1. This device may not cause harmful interference, and
2. This device must accept any interference received, including interferences that may cause undesired operation.

## Operating Instructions

### For all other units.

The control compartment is located inside the fireplace behind the steel curtain near the left front corner. To access the controls, simply slide the steel curtain open.

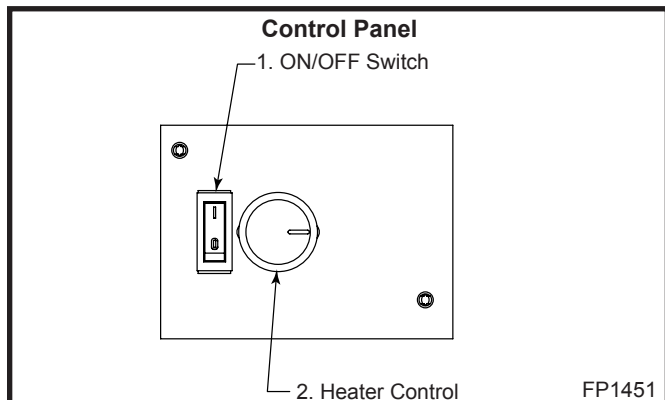


Fig. 13 Control panel.

### 1. ON/OFF Switch

The ON/OFF switch is for supplying power to light effects of the fireplace. This switch is normally illuminated to indicate that there is electrical power to the unit.

### 2. Heater Control

The heater control acts to turn the heater ON and OFF, as well as setting the comfort level in the room.

Turn the knob clockwise from the "OFF" position to place the heater into operation. The further the knob is rotated clockwise, the higher the set point temperature.

Turn the knob counterclockwise to lower the set point temperature. Turn it all the way counterclockwise to turn the heater function OFF.

### 3. Remote Control

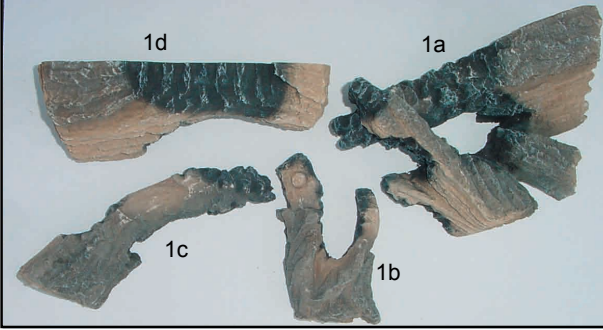
If the unit is equipped with an on/off remote control, this feature is to turn the flame effect on and off remotely while the switch on the control panel is off. If the control panel switch is on, this bypasses the remote control. The receiver and transmitter is a matched-pair that is pre-programmed and must be replaced together, if necessary.

**NOTE: The device complies with Part 15 of the FCC Rules. Operation is subject to the following two conditions:**

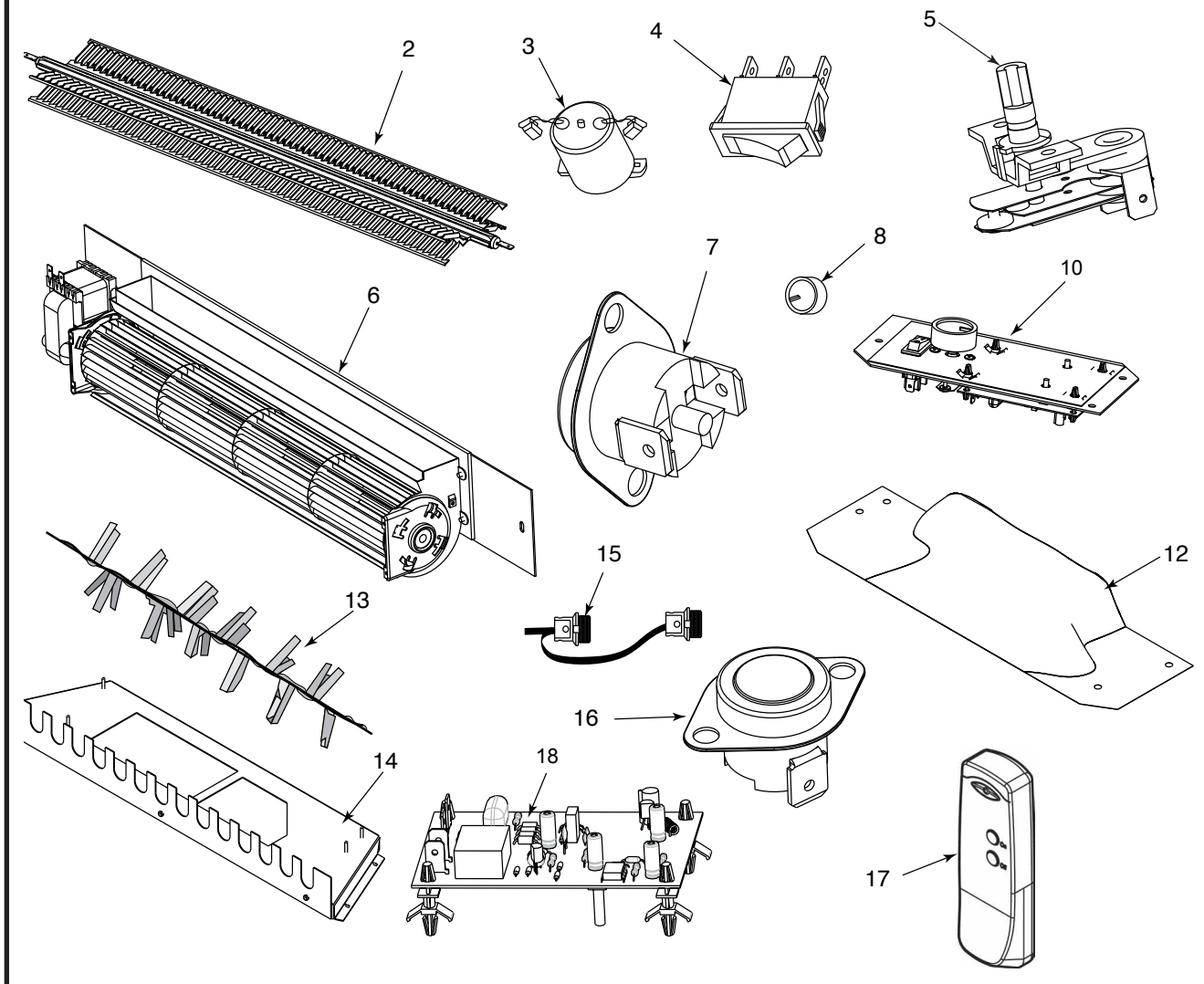
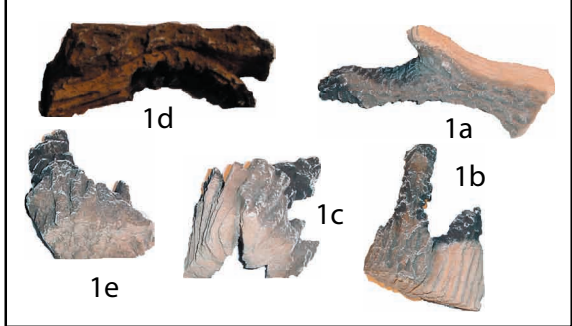
1. This device may not cause harmful interference, and
2. This device must accept any interference received, including interference that may cause undesired operation.



**BREF36/BREF36R**



**BREF42/BREF42R**

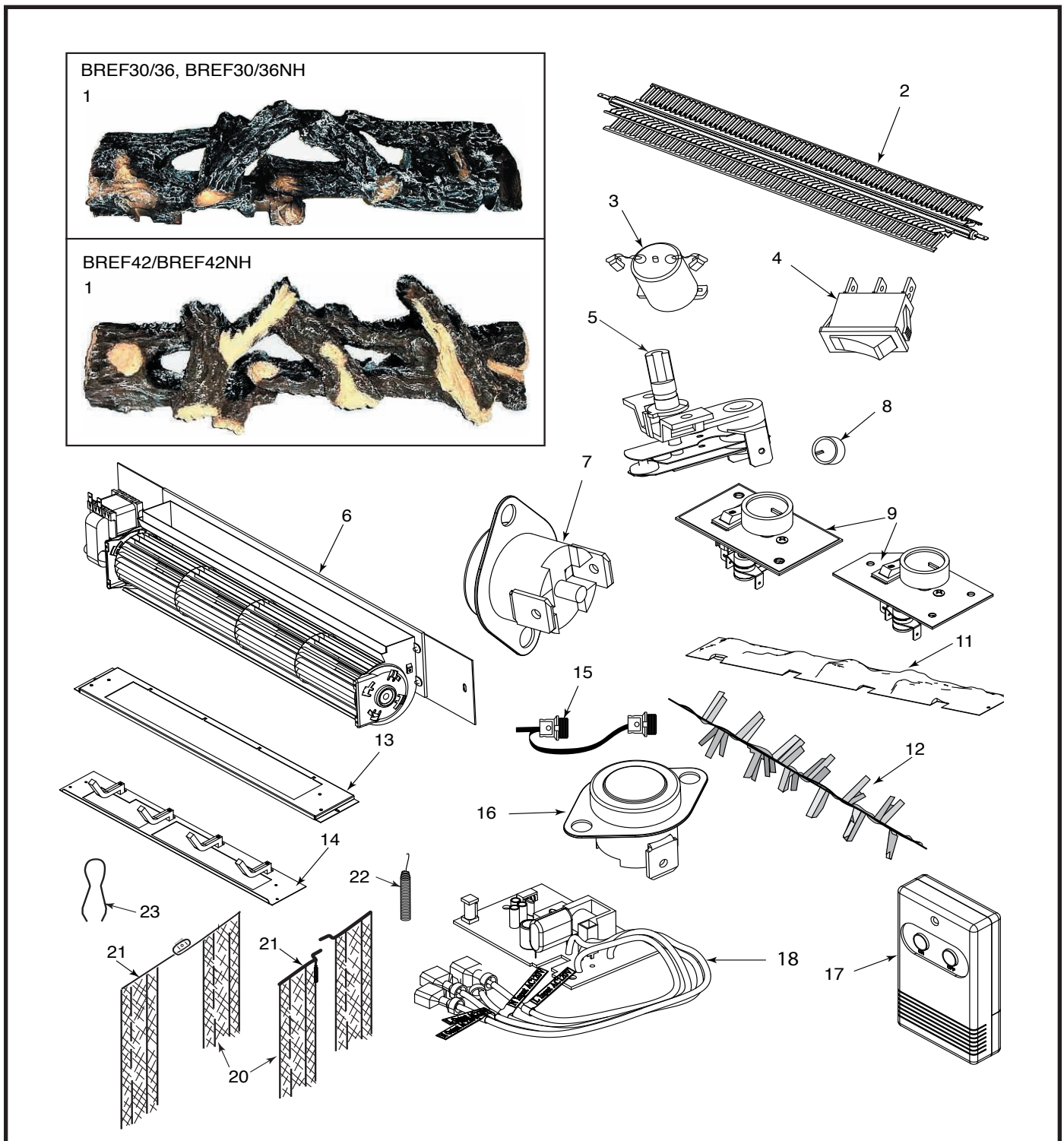


CFM Specialty Home Products reserves the right to make changes in design, materials, specifications, prices and discontinue colors and products at any time, without notice.

## BREF36/42, BREF36R/42R Electric Fireplace for Units with Ceramic Log Sets

## BREF36/42, BREF36R/42R Electric Fireplace for Units with Ceramic Log Sets (continued)

Ref.	Description	BREF36	BREF36R	BREF42	BREF42R
1.	Log Set Complete	10004797	10004797	10004950	10004950
1a.	Log	10004470 (B111)	10004470 (B111)	10004945 (G1)	10004945 (G1)
1b.	Log	10004471 (B112)	10004471 (B112)	10004946 (G2)	10004946 (G2)
1c.	Log	10004472 (B113)	10004472 (B113)	10004947 (G3)	10004947 (G3)
1d.	Log	10004473 (B114)	10004473 (B114)	10004948 (G4)	10004948 (G4)
1e.	Log	--	--	10004949 (G5)	10004949 (G5)
2.	Heater Element	10004584	10004584	10004584	10004584
3.	Motor, AC, w/Terminals	10004262	10004262	10004262	10004262
4.	Rocker Switch (Illuminated)	10001393	10001393	10001393	10001393
5.	Thermostat - Heater Control	10002987	10002987	10002987	10002987
6.	Fan w/Bracket Assembly	10004695	10004695	10004695	10004695
7.	Sensor, 230°F Manual Reset	10004720	10004720	10004720	10004720
8.	Knob - Flame Speed, Heater Controls	10001639	10001639	10001639	10001639
9.	Light Filter - Ember Bed (Not shown)	10004518	10004518	10004957	10004957
10.	Plate Control Assembly	10006386	10006389	10006386	10006389
11.	Screen Tinted Plastic (Not shown)	10006381	10006381	10006391	10006391
12.	Ember Lava Rock	10004517	10004517	10004958	10004958
13.	Flame Generator Assembly	10003350	10003350	10004847	10004847
14.	Plate Log Support Assembly	10006380	10006380	10004853	10004853
15.	Socket Light Bulb Lower Assembly	10003568	10003568	10003568	10003568
16.	Limit Control, 175/20 DIF	10001172	10001172	10001172	10001172
17.	Transmitter	--	10005140	--	10005140
18.	Receiver	--	10005141	--	10005141
19.	CFM Wire Req'd (Not shown)	10004851	10006382	10004851	10006382



CFM Specialty Home Products reserves the right to make changes in design, materials, specifications, prices and discontinue colors and products at any time, without notice.

## BREF30/36/42, BREF30NH/36NH/42NH Electric Fireplace

## BREF30/36/42, BREF30NH/36NH/42NH Electric Fireplace (continued)

Ref.	Description	BREF30	BREF30NH	BREF36	BREF36NH	BREF42	BREF42NH
1.	Log Set Complete	10006532	10006532	10006532	10006532	10007664	10007664
2.	Heater Element	10004584	--	10004584	--	10004584	--
3.	Motor, AC, w/Terminals	10004262	10004262	10004262	10004262	10004262	10004262
4.	Rocker Switch (Illuminated)	10001393	10001393	10001393	10001393	10001393	10001393
5.	Thermostat - Heater Control	10002987	--	10002987	--	10002987	--
6.	Fan w/Bracket Assembly	10004695	--	10004695	--	10004695	--
7.	Sensor, 230°F Manual Reset	10004720	--	10004720	--	10004720	--
8.	Knob - Heater Controls	10001639	--	10001639	--	10001639	--
9.	Plate Control Assembly	10007610	10007830	10007443	10007608	10007443	10007608
10.	Screen Tinted Plastic (Not Shown)	10007612	10007612	10007430	10007430	10006391	10006391
11.	Ember Lava Rock	10007461	10007461	10007461	10007461	10007667	10007667
12.	Flame Generator Assembly	10003350	10003350	10003350	10003350	10004847	10004847
13.	Support Plate	10007434	10007434	10007434	10007434	10007673	10007673
14.	Plate Log Support Assembly	10007447	10007447	10007447	10007447	10007666	10007666
15.	Socket Light Bulb Lower Assembly	10006453	10006453	10006453	10006453	10006453	10006453
16.	Limit Control, 175/20 DIF	10001172	--	10001172	--	10001172	--
17.	Transmitter	10008487	--	10008487	--	10008487	--
18.	Receiver	10008487	--	10008487	--	10008487	--
19.	CFM Wire Req'd (not shown)	10006382	10007639	10006382	10007639	10006382	10007639
20.	Screen Assembly	7554299	7554299	7554338	7554338	7554340	7554340
21.	Screen Rod	3993138	3993138	10007433	10007433	10007433	10007433
22.	One Piece Screen Pull (2 per Fireplace)	7554239	7554239	7554239	7554239	7554239	7554239
23.	Cable Clip (4 per Fireplace)	7512135	7512135	7512135	7512135	7512135	7512135

**NOTE: Items 17 and 18 (Transmitter and Receiver) must be replaced as a set.**

## Accessories

The following accessories for these appliances are available from your local CFM Specialty Home Products distributor.

See your CFM Specialty Home Products distributor or dealer for other finishing options, such as marble and mantels that are available in a wide selection of styles.

**NOTE: Each accessory comes with a separate installation instruction for mounting to the particular appliance. Be sure to read each instruction thoroughly before installing.**

Accessory	Description	Model Number
Thermostat	Wall Thermostat, electric fireplace	EBWT
Power Cord		10003095
Refractory Kit (not available for units with ceramic log set)	Refractory panels give the appliance a realistic brick look	BREF30RK BREF36RK BREF42RK
Bi-fold Glass Doors	Glass doors enhance the viewing area of the fireplace	Brushed Brass - 30GDKBB, 36GDKBB, 42GDKBB Black - 30GDKBK, 36GDKBK, 42GDKBK Polished Brass - 30GDKDP, 36GDKDP, 42GDKDP Pewter - 30GDKS, 36GDKS, 42GDKS





# 1 YEAR WARRANTY

For MAJESTIC FIREPLACES® Electric Fireplaces

## BASIC WARRANTY:

CFM Specialty Home Products (hereinafter referred to collectively as the "Company") warrants that your new Majestic Fireplaces® fireplace is free from manufacturing and material defects for a period of one year from date of installation, subject to the following conditions and limitations.

1. This electric fireplace **must be installed and operated** at all times in accordance with the Installation and Operating instructions furnished with the product. **Any alteration, willful abuse, accident, or misuse of the product shall nullify this warranty.**
2. This warranty is non-transferrable, and is made to the original owner, provided that the purchase was made through an authorized supplier of the Company.
3. This warranty is limited to the repair or replacement of part(s) found to be defective in material or workmanship, provided that such part(s) have been subjected to normal conditions of use and service, after said defect is confirmed by the Company's inspection.
4. **This warranty does not cover the lightbulb(s) included with the fireplace.**
5. The Company may, at its discretion, fully discharge all obligations with respect to this warranty by refunding the wholesale price of the defective part(s).
6. Any installation, labour, construction, transportation, or other related costs/expenses arising from defective part(s), repair, replacement, or otherwise of same, will not be covered by this warranty, nor shall the Company assume responsibility for same. Further, the Company will not be responsible for any incidental, indirect, or consequential damages, except as provided by law.
7. All other warranties - expressed or implied - with respect to the product, its components and accessories, or any obligations/liabilities on the part of the Company are hereby expressly excluded.
8. The Company neither assumes, nor authorizes any third party to assume, on its behalf, any other liabilities with respect to the sale of this **Majestic Fireplaces** product.
9. The warranties as outlined within this document do not apply to non **CFM Specialty Home Products** accessories used in conjunction with the installation of this product.

### This warranty is void if:

- a) The fireplace has been operated in atmospheres contaminated by chlorine, fluorine or other damaging chemicals.
- b) The fireplace is subjected to prolonged periods of dampness or condensation.
- c) Any alteration, willful abuse, accident, or misuse of the product.

### GLASS DOORS & BRASS PLATED PARTS . . .

Glass doors are not warranted for breakage due to misuse or accident.

Brass parts should be cleaned with lemon oil only. Brass cleaners cannot be used. Mortar mix and masonry cleaners may corrode the brass finish. The Company will not be responsible for, nor will it warrant any brass parts which are damaged by external chemicals.

### IF WARRANTY SERVICE IS NEEDED . . .

- 1) Contact your supplier. Make sure you have your warranty, your sales receipt, and the model/serial number of your **CFM Specialty Home Products** product.
- 2) **DO NOT ATTEMPT TO DO ANY SERVICE WORK YOURSELF.**

## GARANTIE DE BASE:

CFM Specialty Home Products (aux présentes nommée la "Société") garantit votre nouveau foyer électrique Majestic Fireplaces® contre tous défauts de fabrication et de matières premières pour une période d'un an à compter de la date d'installation, sujet aux conditions et limitations suivantes.

1. Le foyer électrique doit être installé par un entrepreneur de service autorisé et compétent. Il doit être installé et utilisé en tout temps selon les instructions d'installation et de fonctionnement fournies avec le produit. **Toute altération, abus volontaire, accident ou mauvais usage du produit annulera cette garantie.**
2. Cette garantie n'est pas transférable et est offerte à l'acheteur au détail d'origine, à condition que l'achat soit effectué par l'entremise d'un détaillant autorisé de la Société.
3. Cette garantie est limitée à la réparation ou au remplacement de(des) pièce(s) trouvée(s) défectueuse(s) en matières premières ou main-d'oeuvre, à condition que lesdites pièces aient été sujettes aux conditions normales d'usage et de service, après que ledit défaut a été confirmé par une inspection par la Société.
4. **Cette Garantie ne couvre pas les ampoules inclus dans le foyer électrique.**
5. La Société peut, à sa discrétion, se décharger entièrement de toutes obligations se rapportant à cette garantie en remboursant le prix de gros de la(des) pièce(s) défectueuse(s).
6. Tous les frais/dépenses d'installation, de main-d'oeuvre, de construction, de transport ou autres causés par une (des) pièce(s) défectueuse(s), une réparation, un remplacement ou autre, ne seront pas couverts sous cette garantie, et la Société n'assume aucune responsabilité pour ceux-ci. De plus, la Société ne pourra être tenue responsable pour tous dommages fortuits ou indirects sauf la ou prévu par la loi.
7. Toutes autres garanties, exprimées ou sous-entendues, en ce qui a trait au produit, ses composants et accessoires, ou toutes obligations/responsabilités de la part de la Société sont aux présentes expressément exclues.
8. La Société n'assume et n'autorise personne à assumer, en son nom, toutes responsabilités en ce qui a trait à la vente de ce produit **Majestic Fireplaces**.
9. Les garanties, telles que décrites dans ce document, ne s'appliquent accessoires non **CFM Specialty Home Products** utilisés conjointement pour l'installation de ce produit.
10. **Cette garantie est nulle si:**
  - a) Le foyer a été utilisé dans une atmosphère contaminée par du chlore, du fluor ou tous autres produits chimiques.
  - b) Le foyer est assujéti à de longues périodes d'humidité ou de condensation.
  - c) Toute altération, abus volontaire, accident ou mauvais usage du produit annulera cette garantie.

### PORTES EN VERRE & PIÈCES PLAQUÉES LAITON . . .

Les portes en verre ne sont pas garanties contre le bris causé par un mauvais usage ou un accident.

Les pièces en laiton devraient être nettoyées qu'avec de l'essence de citron. Les nettoyeurs de laiton ne peuvent pas être utilisés. La Société ne sera pas responsable pour, et ne garantit pas les pièces en laiton qui sont endommagées par de refoulement.

### SI UN SERVICE SOUS GARANTIE EST REQUIS . . .

- 1) Communiquez avec votre détaillant. Assurez-vous que vous avez votre garantie, votre reçu de caisse ainsi que le numéro de modèle/série de votre produit **CFM Specialty Home Products**.
- 2) **NE TENTEZ PAS D'EFFECTUER DES REPARATIONS VOUS-MEME.**

## **CFM Specialty Home Products**

410 Admiral Blvd. • Mississauga, Ontario, Canada L5T 2N6 • 905-670-7777  
[www.majesticproducts.com](http://www.majesticproducts.com) • [www.vermontcastings.com](http://www.vermontcastings.com)