

Page/Talk Indoor Junction Box

Model PTJ

Installation & Operation



P007380 Rev. C 150318 8/21/2015 9:41 AM

Table of Contents

Package Contents2
 Replacement Parts2
 Overview3
 Features3
 Installing the Junction Box.....9
 Product Specifications10
 Installation Cable Listing10
 Warranty11
 Disclaimer.....11
 Warning.....11
 Service Telephone Number11
 Feedback.....11
 Guardian Product Return12

Table of Figures

Figure 1 - Wiring.....4
 Figure 2 - Dimensions5
 Figure 3 - Mounting5
 Figure 4 - Electrical Connections6
 Figure 5 - Bus connector wiring at SJB relays, SJB, CTI and LET7
 Figure 6 - Select System connector wiring for 16 wires7
 Figure 7 - Select System connector wiring for 18 wires8
 Figure 8 - Combicon 14 pin connector top view.....8

Package Contents

- One (1) P8700 Page/Talk Indoor Junction Box
- One (1) Installation & Operation Manual

Replacement Parts

Part No.	Description
P006736	PCB Assembly

Overview

Page/Talk Junction Box

Guardian's Page/Talk Systems provide reliable and easy to use paging and communication within industrial environments such as plants, mills and factories. Individuals can be paged from any station and two or more persons can communicate on any available line.

The PTJ Terminal Junction Box described in this manual provides a convenient method of branching out from one to five legs of Page/Talk system wiring from one location. The unit also includes one system test port.

Features

Construction

- Fiberglass reinforced polyester enclosure, self extinguishing and halogen free

Cable Entrances

- Solid surfaces for punching holes to customer requirements

Mounting

- Mounts to any vertical surface

Connectors

- removable screw and plug Combicon connectors allow for ease of installation, simply screw wires into plug and reinsert plug into PCB socket

Capacity

- Six cables (1 in/5 out)

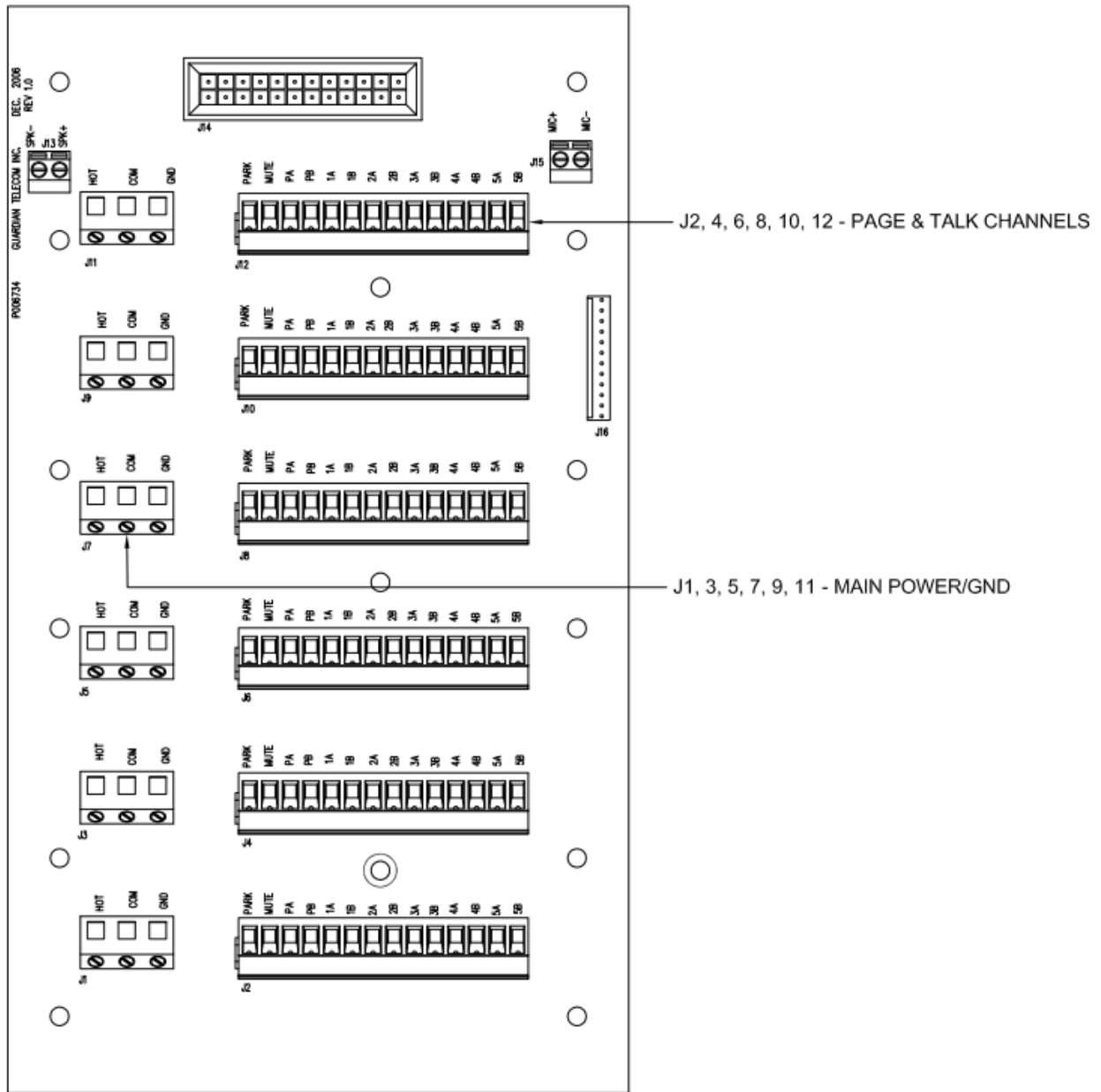


Figure 1 - Wiring

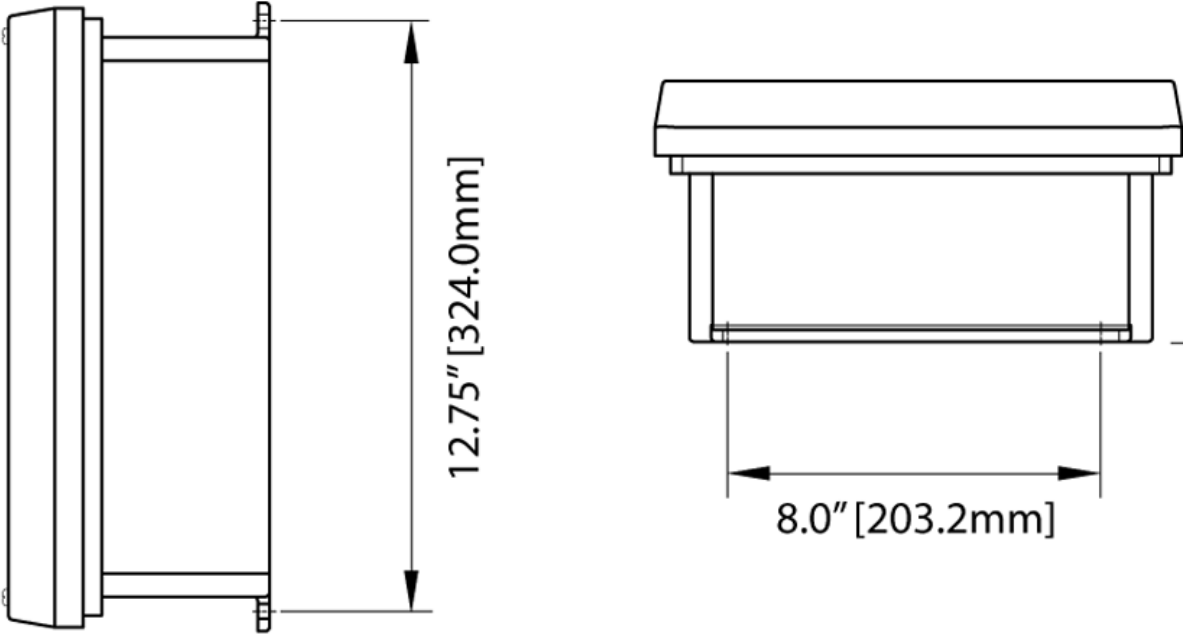


Figure 2 - Dimensions

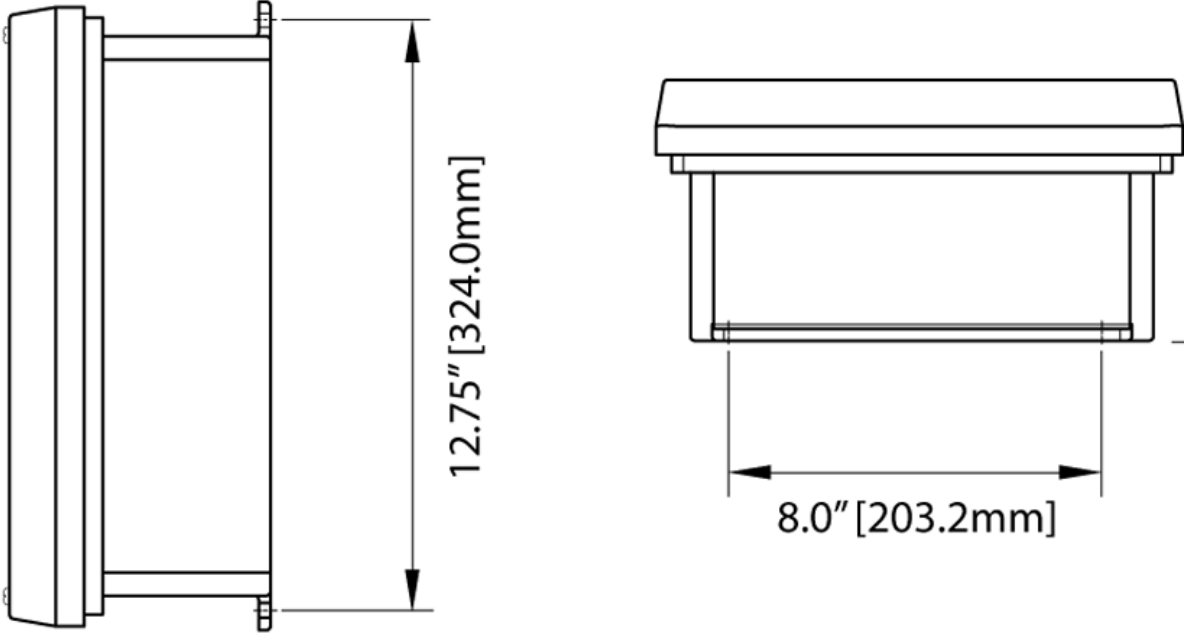


Figure 3 - Mounting

WIRE TERMINATION (16 CONDUCTOR CABLE)					
ASSIGNMENT	DESIGNATION	DESCRIPTION	JACKET COLOUR	STRIPE COLOUR	WIRE GAUGE
SYSTEM POWER	J1/J3/J5/J7/J9/J11	HOT	BLACK	BLACK	14 AWG
	J1/J3/J5/J7/J9/J11	COM	WHITE	WHITE	14 AWG
	J1/J3/J5/J7/J9/J11	GND	GREEN	GREEN	14 AWG
AMBIENT NOISE MICROPHONE	J15	MIC+	N/A	N/A	N/A
	J15	MIC-	N/A	N/A	N/A
SPEAKER	J13	SPEAKER+	N/A	N/A	N/A
	J13	SPEAKER-	N/A	N/A	N/A
PAGA LINE	J2/J4/J6/J8/J10/J12	PA	BLUE	RED	18 AWG
	J2/J4/J6/J8/J10/J12	PB	RED	BLUE	18 AWG
CHANNEL 1	J2/J4/J6/J8/J10/J12	1A	RED	-----	18 AWG
	J2/J4/J6/J8/J10/J12	1B	L. BROWN	RED	18 AWG
CHANNEL 2	J2/J4/J6/J8/J10/J12	2A	VIOLET	-----	18 AWG
	J2/J4/J6/J8/J10/J12	2B	L. BROWN	VIOLET	18 AWG
CHANNEL 3	J2/J4/J6/J8/J10/J12	3A	BLUE	-----	18 AWG
	J2/J4/J6/J8/J10/J12	3B	L. BROWN	BLUE	18 AWG
CHANNEL 4	J2/J4/J6/J8/J10/J12	4A	BROWN	-----	18 AWG
	J2/J4/J6/J8/J10/J12	4B	L. BROWN	BROWN	18 AWG
CHANNEL 5	J2/J4/J6/J8/J10/J12	5A	YELLOW	-----	18 AWG
	J2/J4/J6/J8/J10/J12	5A	L. BROWN	YELLOW	18 AWG
GROUP MUTING OF LOUDSPEAKERS	J2/J4/J6/J8/J10/J12	MUTE	ORANGE	-----	18 AWG
	J2/J4/J6/J8/J10/J12	PARK			
SPARE	N/A	EXTRA	ORANGE	-----	12 AWG

NOTES:

1. CHANNELS 2 TO 5 CONNECTIONS REMAIN EMPTY FOR SINGLE TALK HOOKUP.
2. IF THE CABLE IS 18 CONDUCTOR TYPE, TWO WIRES WILL BE WHITE/RED AND WHITE/BLACK. DO NOT CUT THESE WIRES CLOSE TO THE CABLE ENTRY, CONNECT WHITE/RED TO ALL OTHER WHITE/RED WIRES AND WHITE/BLACK TO ALL OTHER WHITE/BLACK WIRES AND INSULATE THEM.

Figure 4 - Electrical Connections

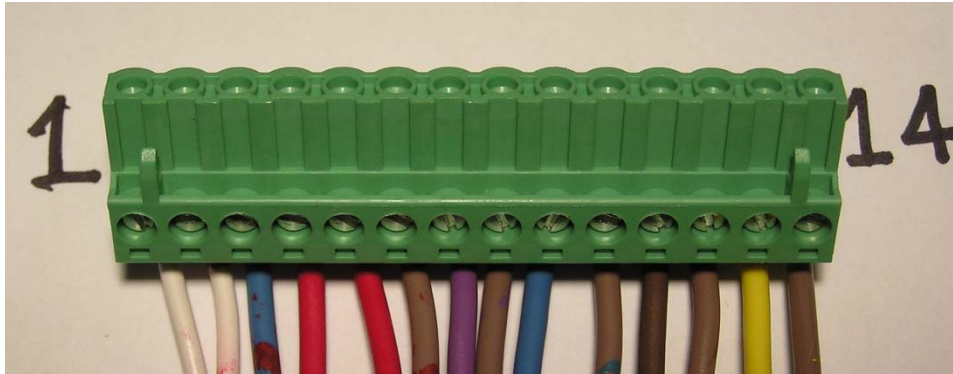


Figure 5 - Bus connector wiring at SJB relays, SJB, CTI and LET

The Page/Talk Communications cable is normally sheathed in a bright yellow plastic armored jacket.

In the Communications cable there are:

- 13 or 15 of the 18 gauge wires.
- 3 of 14 gauge wires.

The three 14 gauge wires used for AC are ground, AC neutral and AC live and these are not connected on the Bus connector. The AC wires are terminated at either a terminal strip or an AC breaker mounted on a DIN rail in the cabinet.

WIRE TERMINATION FOR 16 CONDUCTORS

PIN #	COLOUR OF 18 AWG WIRE	ABREV.	FUNCTION
1	ORANGE	TA	TEST A
2	JUMPER TO 12 (4B)	TB	TEST B
3	BLUE/RED	PA	PAGE A
4	RED/BLUE	PB	PAGE B
5	RED	1A	LINE 1A
6	LIGHT BROWN/RED	1B	LINE 1B
7	VIOLET	2A	LINE 2A
8	LIGHT BROWN/VIOLET	2B	LINE 2B
9	BLUE	3A	LINE 3A
10	LIGHT BROWN/BLUE	3B	LINE 3B
11	BROWN	4A	LINE 4A
12	LIGHT BROWN/BROWN	4B	LINE 4B
13	YELLOW	5A	LINE 5A
14	LIGHT BROWN/YELLOW	5B	LINE 5B
NOTE 14 AWG WIRES AS FOLLOWS:			
	GREEN		SAFETY GROUND
	WHITE		LINE NEUTRAL
	BLACK		LINE LIVE

Note the 18 AWG ORANGE wire on pin 1 is not used for Page/Talk local mute.

Figure 6 - Select System connector wiring for 16 wires

WIRE TERMINATION FOR 18 CONDUCTORS

PIN #	COLOUR OF 18 AWG WIRE		FUNCTION
1	WHITE/RED	TA	TEST A
2	WHITE/BLACK	TB	TEST B
3	BLUE/RED	PA	PAGE A
4	RED/BLUE	PB	PAGE B
5	RED	1A	LINE 1A
6	LIGHT BROWN/RED	1B	LINE 1B
7	VIOLET	2A	LINE 2A
8	LIGHT BROWN/VIOLET	2B	LINE 2B
9	BLUE	3A	LINE 3A
10	LIGHT BROWN/BLUE	3B	LINE 3B
11	BROWN	4A	LINE 4A
12	LIGHT BROWN/BROWN	4B	LINE 4B
13	YELLOW	5A	LINE 5A
14	LIGHT BROWN/YELLOW	5B	LINE 5B
NOTE 14 AWG WIRES AS FOLLOWS:			
	GREEN		SAFETY GROUND
	WHITE		LINE NEUTRAL
	BLACK		LINE LIVE

Note the 18 AWG ORANGE wire is not terminated, and is used for Page/Talk local mute.

Figure 7 - Select System connector wiring for 18 wires

Notes:

- The above colour scheme is for **background / marking**. For example BLUE / RED is a blue background with a red marking.
- Terminal and Breaker mean Terminal Block.

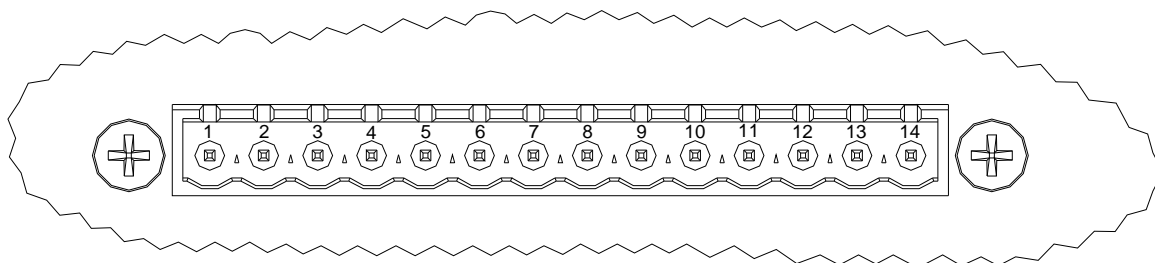
BUS COMBICOM CONNECTOR

Figure 8 - Combicom 14 pin connector top view


Installing the Junction Box

WARNING - high voltages are present in this equipment when it is connected to the power source.

- Follow all appropriate electrical codes and use only approved electrical fittings for the installation.
- Punch holes in the sides of the enclosure for cable fittings.
- Install suitable fittings in the cable entrances.
- Choose a wall location that is free of obstructions and permits space for conduit or wire.
- Ensure mounting can support 6.6 lbs. / 3 kg (with module installed), and any additional foreseeable load.
- Use the housing to locate and drill holes for mounting screws.
- Secure the unit to the wall.
- Ensure that none of the electrical connection circuits are live.
- Bring cable(s) into the enclosure through the conduit entrance(s) and attach individual wires to the Combicon connector(s). Make Talk channel connections to terminals 1A and 1B for a single line station.
- Plug the connector(s) into the receptacle(s) on the interface board.
- Ensure all connections are secure.

See: Figure 2 - Dimensions

See: Figure 4 - Electrical Connections

Product Specifications	
ENVIRONMENTAL	
WEATHER TIGHT	ENCLOSURE GASKET
DUST TIGHT	ENCLOSURE GASKET
TEMPERATURE RANGE	-58° to +300°F (-50° to +150°C)
INGRESS PROTECTION NEMA RATING	IP66 4X
MECHANICAL	
CAPACITY	SIX CABLES TO COMBICON CONNECTORS
CONSTRUCTION	FIBERGLASS REINFORCED POLYESTER ENCLOSURE, SELF EXTINGUISHING AND HALOGEN FREE
DIMENSIONS (H X W X D)	13.33 X 11.3X 5.59 INCHES / 338 X 287 X 142 MM
NET WEIGHT	6.6 LBS/3KG
MOUNTING	VERTICAL SURFACE
WIRING ACCESS	SOLID SURFACES FOR PUNCHING HOLES TO CUSTOMER REQUIREMENTS
COMPLIANCE	
CSA ("C" and "US")	CSA 1289924
	Canada: Class I Division 2 Groups A, B, C, D; Class II Groups E, F, G; T6
	United States: Class I Division 2 Groups A, B, C, D; Class II Groups E, F, G; Class I Zone 2, T6
ELECTRICAL SAFETY 	60950

Installation Cable Listing

Part No.	Description	Part No.	Description
P006183	2 Conductor 18AWG Armored Speaker	P005863	8 Conductor Armored (Single Line System)
P006184	2 Conductor 18AWG Standard Speaker	P005916	8 Conductor Standard (Single Line System)
P006217	4 Conductor 18AWG Armored Speaker	P005366	16 Conductor Armored (Five Line System)
P006216	4 Conductor 18AWG Standard Speaker	P005219	16 Conductor Standard (Five Line System)
		P006218	17 Conductor Armored (Five Line System)

Warranty

Guardian Telecom warrants your product to be free of defects in material and workmanship for a period of one year. Guardian Telecom will repair or replace any defective unit that is under warranty free of charge.

This warranty is null and void if any non-authorized modifications have been made to this product, or if it has been subjected to misuse, neglect, or accident. This warranty covers bench repairs only; such repairs must be made at Guardian Telecom or an authorized service depot. Guardian Telecom is not responsible for costs incurred for on-site service calls, freight, or brokerage.

A return authorization must be obtained prior to warranty claims or repairs.

Disclaimer

The products covered by this manual are designed for use in Industrial Environments and/or Hazardous Locations. Due to the range of possible applications for these instruments the manufacturer will not be responsible for damages or losses of any kind suffered as a result of the use of this product, including consequential damages.

Warning

High voltages may be present in this product, ensure that power is removed before installing, performing maintenance or making repairs.

Service Telephone Number

1-800-363-8010 Toll Free in North America

Guardian Telecom provides a customer service telephone number which is toll-free within North America. If you need assistance when installing or operating this product, please call the toll-free telephone number between regular business hours (7:30AM-5:00PM), Mountain Standard Time. If you are calling outside of regular business hours, please leave a detailed message, and a member of Guardian Telecom's Service Department will return your call as soon as possible. If your product requires service, Guardian personnel will supply you with an RMA (return materials authorization) number over the telephone or through our web site product return page. This number must be included with your return address and the name of the person to contact.

**Guardian Telecom Inc.
Toll-free 1-800-363-8010
Ph. (403) 258-3100
Fax. (403) 253-4967
www.guardiantelecom.com**

Feedback

Guardian Telecom continually strives to make reliable, durable, and easy to use products. If you, as an installer or user of our equipment, have any suggestions for improvements to this or any of our products or documents, including this manual, we would appreciate hearing from you.

Guardian Product Return
Guardian products have been quality tested and are in full working order when shipped from the factory, given the rugged nature of these products shipping is not expected to damage a unit. In the unlikely event of a malfunction, Guardian follows the three step procedure below.
<i>Step I - On-Site Correction</i>
<ul style="list-style-type: none"> • The most common source of difficulties with a new product is improper installation in one of two ways: incorrect wiring connections or connection to an incorrect power source. • Product wiring needs to be properly connected to the on-site wiring. Correct wiring instructions are shown in the user manual included with the product.
<i>Step II - Return Materials Authorization (RMA)</i>
<ul style="list-style-type: none"> • When a product has been installed following user manual instructions, and the unit fails to operate, the user must contact Guardian Telecom to obtain authorization to return the product. This can be done by completing a RMA form online at www.guardiantelecom.com, or by calling the service telephone number given in this manual. • After providing information on the product, the owner and the nature of the problem, Guardian will issue a RMA number, to be shown on documentation returned with the product. • In addition to the RMA number, shipping documents should include name, address and telephone number of the owner along with contact information for the person responsible for the repair and/or the user who identified the malfunction. • (Where a product is being returned for repair from outside of Canada, customs documentation must show the product's serial number, date of export [date of purchase], and a notation that the equipment is: "Canadian goods returning.")
<i>Step III - Factory Authorized Service</i>
<ul style="list-style-type: none"> • Once received, each product is carefully inspected and tested. If the product is under warranty, repairs are completed and the product returned to the owner, generally within five working days of receipt by the factory. • A product that has been subjected to misuse, neglect or accident or is beyond the warranty period will be evaluated. The service department will provide the owner's representative with a repair cost estimate. Once approved, repairs are completed and the product returned, generally within five working days.

Notes:

Model No.
Part No.
Serial No.
Date of Purchase

THIS PAGE INTENTIONALLY LEFT BLANK

THIS PAGE INTENTIONALLY LEFT BLANK



Guardian Telecom Inc.
Toll-free 1-800-363-8010
Phone (403) 258-3100
Fax. (403) 253-4967
www.guardiantelecom.com
E-mail: sales@guardiantelecom.com
(Click to open message box)

CONNECTED. PROTECTED.

© Guardian Telecom Inc. 2015