



INSTALLATION INSTRUCTIONS

STANDARD SERIES

Unvented Decorative Gas Fireplaces
P/N 904538 REV. E 02/2004

MODELS

CF5500-CMN
CF5500-CMP

CF6500-CMN
CF6500-CMP

RETAIN THESE INSTRUCTIONS FOR FUTURE REFERENCE



We suggest that our gas hearth products be installed and serviced by professionals who are certified in the U.S. by the National Fireplace Institute® (NFI) as NFI Gas Specialists.



WARNING: IF THE INFORMATION IN THIS MANUAL IS NOT FOLLOWED EXACTLY, A FIRE OR EXPLOSION MAY RESULT CAUSING PROPERTY DAMAGE, PERSONAL INJURY OR LOSS OF LIFE.

FOR YOUR SAFETY: Do not store or use gasoline or other flammable vapors or liquids in the vicinity of this or any other appliance.

FOR YOUR SAFETY: What to do if you smell gas:

- DO NOT light any appliance.
- DO NOT touch any electrical switches.
- DO NOT use any phone in your building.
- Immediately call your gas supplier from a neighbor's phone.

Follow your gas suppliers instructions.

- If your gas supplier cannot be reached, call the fire department.

Installation and service must be performed by a qualified installer, service agency or the gas supplier.

FOR USE ONLY WITH DECORATIVE TYPE UNVENTED ROOM HEATERS.

DO NOT BUILD A WOOD FIRE.

WARNING: IMPROPER INSTALLATION, ADJUSTMENT, ALTERATION, SERVICE OR MAINTENANCE CAN CAUSE INJURY OR PROPERTY DAMAGE. REFER TO THIS MANUAL. FOR ASSISTANCE OR ADDITIONAL INFORMATION CONSULT A QUALIFIED INSTALLER, SERVICE AGENCY OR THE GAS SUPPLIER.

WARNING: DO NOT BURN WOOD OR OTHER MATERIAL IN THESE APPLIANCES.

CAREFULLY REVIEW THE INSTRUCTIONS SUPPLIED WITH THE DECORATIVE TYPE UNVENTED ROOM HEATER FOR THE MINIMUM FIREPLACE SIZE REQUIREMENT.

DO NOT INSTALL THE APPLIANCE IN THIS FIREBOX, UNLESS THIS FIREBOX MEETS THE MINIMUM DIMENSIONS REQUIRED FOR THE INSTALLATIONS.

This is an unvented gas-fired heater. It uses air (oxygen) from the room in which it is installed. Provisions for adequate combustion and ventilation air must be provided. Refer to Combustion and Ventilation Air Section, Page 3.

Due to high temperatures, the appliance should be located out of traffic and away from furniture or draperies.

Do not place clothing or other materials on or near this appliance.

IMPORTANT: READ AND UNDERSTAND THESE INSTRUCTIONS COMPLETELY BEFORE INSTALLING YOUR UNVENTED ROOM HEATERS.

TABLE OF CONTENTS

General Information	page 2
Inventory	page 2
Tools and Building Supplies	page 2
Installation Applications	page 2
Important Safety Information	page 2
Codes	page 3
Combustion and Ventilation Air	page 3
Location of Fireplace	page 4
Clearances	page 4
Preinstallation	page 5
Installation Steps	page 5
Framing Dimensions	page 6
Connecting Gas Line	page 6
Electrical Wiring – Optional Blower ..	page 7
Gas Pressure Check	page 7
Finished Wall Details	page 8
Log Installation	page 8
Flame Appearance	page 10
Optional Equipment	page 11
Forced Air Kit	page 11
Cleaning and Servicing	page 13
Accessories/Components	page 14
Appliance Specifications	page 15
Troubleshooting Guide	page 16
Lighting Instructions	page 17
Replacement Parts List	page 18
Replacement Parts	page 19
Warranty	page 20

This installation manual will help you obtain a safe, efficient, dependable installation for your CF-5500 or CF-6500 appliance. Please read and understand these instructions completely before beginning your installation.

This document covers four models of Catalytic Fireplaces. Instructions are provided for all models and many alternative installations for each. Therefore, certain details may not be applicable to your model and may not be required for your application.

GENERAL INFORMATION

The Catalytic Fireplaces covered in this manual feature ceramic fiber split logs which glow realistically when the heater is operating.

The Millivolt appliances covered in this manual are manually controlled and can be incrementally adjusted through a range between High and Low settings.

Input of the CF5500 Millivolt appliance is 24,000 BTU/hr maximum modulated to 19,000 BTU/hr at the low flame setting for both natural and propane gas models.

Input of the CF6500 Millivolt appliance is 31,000 BTU/hr maximum modulated to 24,000 BTU/hr at the low flame setting for natural gas models. Input for propane gas models is 29,000 BTU/hr maximum modulated to 22,000 BTU/hr at the low flame setting.

Both CF5500 and CF6500 models feature a spark ignition system (piezo) that allows the appliances pilot gas to be lit without the use of matches or batteries. This manual systems provides continued service in the event of a power outage.

These appliances are fitted with a specially designed pilot oxygen depletion sensor (ODS) which responds to the amount of oxygen available in the room and shuts the appliances off before the oxygen level drops below 18.5%. The pilot can be re-lit only when fresh air is available. Refer to the Combustion and Ventilation Air section.

The Catalytic Fireplace Models covered in this manual designed to be built into a framed wall, and finished out with standard construction materials and practices.

Inventory

Unvented Gas Fireplace
Gas connection fittings
Installation and Operating Instructions

Tools and Building Supplies Normally Required

Tools Should Include:

Phillips screwdriver
Hammer
Saw and/or Sabersaw
Measuring tape
Electric drill and bits
Pliers
Square
Piping complying with local codes
Pipe wrench
Tee joint
Pipe compound

Building Supplies Should Include:

Framing materials
Wall finishing materials
Caulking materials (noncombustible)
Fireplace surround materials

Check the inventory list to be sure that you have all the necessary parts in usable condition. Also check for concealed damage.

IMPORTANT SAFETY INFORMATION

INSTALLER: PLEASE LEAVE THESE INSTRUCTIONS WITH THE OWNER.

OWNER: PLEASE RETAIN THESE INSTRUCTION FOR FUTURE REFERENCE.

WARNING: FAILURE TO COMPLY WITH THE INSTALLATION AND OPERATING INSTRUCTIONS PROVIDED IN THIS DOCUMENT WILL RESULT IN AN IMPROPERLY INSTALLED AND OPERATING APPLIANCE, VOIDING ITS WARRANTY. ANY CHANGE TO THIS APPLIANCE AND/OR ITS OPERATING CONTROLS IS DANGEROUS. IMPROPER INSTALLATION OR USE OF THIS APPLIANCE CAN CAUSE SERIOUS INJURY OR DEATH FROM FIRE, BURNS, EXPLOSION OR CARBON MONOXIDE POISONING.

Carbon Monoxide Poisoning: Early signs of carbon monoxide poisoning are similar to the flu with headaches, dizziness and/or nausea. If you have these signs, obtain fresh air immediately. Turn off the gas supply to the appliance and have it serviced by a qualified professional, as it may not be operating correctly.

WARNING: DO NOT USE A BLOWER INSERT, HEAT EXCHANGER INSERT OR OTHER ACCESSORY NOT APPROVED FOR USE WITH THIS HEATER.

IMPORTANT: BEFORE STARTING YOUR HEATER INSTALLATION, READ THESE INSTALLATION INSTRUCTIONS CAREFULLY, IN THEIR ENTIRETY TO BE SURE YOU UNDERSTAND THEM COMPLETELY. FAILURE TO FOLLOW THESE INSTRUCTIONS COULD CAUSE AN APPLIANCE MALFUNCTION RESULTING IN SERIOUS INJURY AND/OR PROPERTY DAMAGE.

IMPORTANT: THE INSTALLATION MUST CONFORM WITH LOCAL CODES OR, IN THE ABSENCE OF LOCAL CODES WITH THE NATIONAL FUEL GAS CODE, ANSI Z223.1.

- Due to high temperatures, the appliance should be located out of traffic and away from furniture and draperies.

- Children and adults should be alerted to the hazards of high surface temperatures and should stay away to avoid burns or clothing ignition.
- Young children should be carefully supervised when they are in the same room with the appliance.
- Do not place clothing or other flammable material on or near the appliance.
- Never operate this appliance without first ensuring that the glass enclosure panel is securely in place.
- Do not burn solid fuels in this listed unvented gas room heater.
- Installation and repair should only be completed by a qualified service person. The appliance should be inspected before use and at least annually by a professional service person. More frequent cleaning may be required due to excessive lint from carpeting, bedding material, etc. It is important that control compartments, burners and circulating air passages of the appliance be kept clean.
- Allow the appliance to cool before servicing. Always shut off the gas to the appliance while performing service work.
- Do not install these appliances in a bedroom or bathroom as all units exceed maximum allowable BTU/hr input of 10,000.
- The appliance and its individual shut-off valve must be disconnected from the gas supply piping system while performing any tests of the gas supply piping system at pressures in excess of ½ psig.
- The appliance must be isolated from the gas supply piping system by closing its individual manual shut-off valve during any pressure testing of the gas supply piping system at test pressures equal to or less than ½ psig.
- Keep appliance area clear and free from combustible materials, gasoline and other flammable vapors and liquids.
- Do not use this appliance if any part has been under water. Immediately call a qualified service technician to inspect the appliance and to replace any part of the control system and any gas control which has been under water.
- Operation of these catalytic systems at altitude will result in sporadic nuisance outages of the pilot system due to lack of sufficient oxygen, increasing in frequency as the altitude increases above 4,500 feet. Although this situation is not dangerous, pilot outages cannot be tolerated.

• **These catalytic appliances are rated for use at altitudes no greater than 5,500 feet. Do not install and use this appliance in locations in excess of this altitude.**

- Ensure that the appliance is clean when operating. Excessive dust accumulation on the burner and logs will increase the amount of carbon monoxide formation and could lead to carbon monoxide poisoning and death.
- Provide adequate clearances around air openings and adequate accessibility clearance for service and proper operation. Never obstruct the front openings of the appliance.
- These appliances are designed to operate on natural or propane gas only. The use of other fuels will degrade the performance of this system and may be dangerous.
- Do not tamper with the appliance in any way. Any modifications will result in a voided warranty and could result in CO poisoning or death.

CODES

These appliances comply with American National Safety Standards and are tested and listed by IAS Services to AGA/ANSI Z21.11.2b-1995 as an "Unvented Room Heater."

Adhere to all local codes or in their absence the latest edition of The National Fuel Gas Code ANSI Z223.1 or NFPA54 which can be obtained from The American National Standards Institute, Inc. (1430 Broadway, New York, NY, 10018) or National Fire Protection Association, Inc. (Batterymarch Park, Quincy, MA, 02269). All electrical wiring must be in accordance with local codes or in the absence of local codes the latest edition of the National Electrical Code, ANSI/NFPA 70.

COMBUSTION AND VENTILATION AIR

These heaters shall not be installed in a confined space. The heater may be located in unusually tight construction provided the space is unconfined, or if confined, is provided with two permanent openings communicating directly with an additional room(s) of sufficient volume so that the combined volume of all connected spaces meets the criteria for an unconfined space, (National Fuel Gas Code ANSI Z223.1 1992, Section 5.3). Generally 50 ft³ per 1,000 BTU input of all operating appliances in the space.

The National Fuel Gas Code defines a confined space as a space whose volume is less than 50 ft³ per 1,000 BTU/Hr (4.8 m³ per kw) of the aggregate input rating of all appliances installed in that space and an unconfined space as a space whose volume is not less than 50 ft³ per 1,000 BTU/Hr (4.8 m³ per kw) of the aggregate input rating of all appliances installed in that space. Rooms communicating directly with the space in which the appliances are installed, through openings not furnished with doors, are considered a part of the unconfined space.

Unusually tight construction is defined as construction where:

- a. wall and ceilings exposed to the outside atmosphere have a continuous water vapor retarder with a rating of one perm or less with openings gasketed or sealed, and
- b. weather stripping has been added on operable windows and doors, and
- c. caulking or sealants are applied to areas such as joints around window and door frames, between sole plates and floors, between wall-ceiling joints, between wall panels, at penetrations for plumbing, electrical, and gas lines, and at other openings.

Use the following equations to determine if you have a confined or unconfined space.

1. Determine the volume of space — ft³.

Length x Width x Height = _____ ft³
 (Include adjoining rooms with doorless passageways or ventilation grills between rooms.)

Example: 24' (L) x 16' (W) x 8' (H) = 3072 ft³

2. Divide the volume of space by 50 ft³ to determine the maximum BTU/hr the space can support.

_____ (volume of space – ft³) / 50 ft³ x 1000 = (Maximum BTU/hr the space can support)

Example: 3072 ft³ / 50 ft³ x 1000 = 61.44 or 61,440 BTU/hr the space can support.

3. Add the BTU/hr of all the fuel burning appliances in the space.

Vent-Free heater (Max.) _____ BTU/hr
 Gas appliance #1* _____ BTU/hr
 Gas appliance #2 + _____ BTU/hr
 Total = _____ BTU/hr

Example:

CF6500 Catalytic heater 29,000 BTU/hr
 Gas appliance #1 34,000 BTU/hr
 (water heater)
 Total = 63,000 BTU/hr

* Do not include direct-vent gas appliances. Direct-vent is sealed combustion and draws combustion air from the outdoors.

4. Compare the maximum BTU/hr the space can support with the actual amount of BTU/hr used.

_____ BTU/hr
 (max. the space can support)
 _____ BTU/hr
 (actual amount of BTU/hr used)

Example:

61,440 BTU/hr
 (max. the space can support)
 63,000 BTU/hr
 (actual amount of BTU/hr used)

The space in the above example is a confined space because the actual BTU/hr used is more than the maximum BTU/hr the space can support. You must provide additional fresh air.

WARNING: IF THE AREA IN WHICH THE HEATER MAY BE OPERATED IS SMALLER THAN THAT DEFINED AS AN UNCONFINED SPACE OR IF THE BUILDING IS OF UNUSUALLY TIGHT CONSTRUCTION, PROVIDE ADEQUATE COMBUSTION AND VENTILATION AIR BY ONE OF THE METHODS DESCRIBED IN THE NATIONAL FUEL GAS CODE, ANSI Z223.1 1992, SECTION 5.3 OR APPLICABLE LOCAL CODES.

Your options are:

a. Rework equations adding the space of adjoining room(s). If the extra volume provides an unconfined space, then remove door or add ventilation grills between rooms. Refer to National Fuel Gas Code, ANSI Z223.1 1992, Section 5.3.

b. Vent room directly to the outdoors. Refer to National Fuel Gas Code, ANSI Z223.1 1992, Section 5.3.

c. Install a lower BTU/hr heater, such as the 24,000 BTU/hr CF5500, to make the area an unconfined space.

If the actual BTU/hr used is less than the maximum BTU/hr the space can support, then the space is an unconfined space. You will need no additional fresh air ventilation for an unconfined space.

LOCATION OF FIREPLACE

Carefully select the best location for installation of your Catalytic Fireplace. The following factors should be taken into consideration:

- Clearance to side wall, ceiling, woodwork and windows.
- Location must not be affected by drafts caused by kitchen exhaust fans, return air registers for forced air furnaces/air conditioners, windows or doors.
- Installation must provide adequate combustion air.
- Do not install these appliances in a sleeping room or bathroom.
- Never obstruct the front opening of the heater or restrict the flow of combustion air.
- Minimize modifications to existing construction. Refer to *Figure 1* for location suggestions.

- This appliance may be installed in an aftermarket* manufactured (Mobile) Home, where not prohibited by state or local codes.
 *Aftermarket: Completion of sale, not for purpose of resale, from the manufacturer.
- This appliance is only for use with the type of gas indicated on the rating plate. This appliance is not convertible for use with other gases.

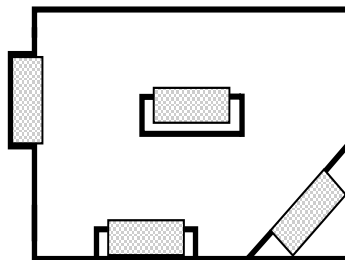


Figure 1

NOTE: DIAGRAMS & ILLUSTRATION NOT TO SCALE.

To ensure even heat distribution, it is best to position the heater centrally against the longest wall of the room. Make sure there is adequate ventilation where the heater is installed. The gas appliance will shut off if the oxygen level falls below 18.5%.

These appliances are uniquely suited for installations requiring a utility shelf positioned directly above the fireplace. Utility shelves like these are commonly used for locating television sets and decorative plants.

To provide for the lowest possible shelf surface, combustible materials used to support a utility shelf directly above these appliances should be positioned just above the appliance top spacers. The minimum height from the base of the CF5500 to the underside of combustible materials used to construct a utility shelf is 37" (940 mm). The minimum height from the base of the CF6500 to the underside of combustible materials used to construct a utility shelf is 42" (1067 mm).

The appliance should be mounted on a fully supported base extending the full width and depth of the unit. The appliance may be located on or near conventional construction materials. However, if installed on combustible materials, such as carpeting, vinyl tile, etc., a metal or wood barrier covering the entire bottom surface must be used.

If the appliance is to be elevated above floor level, a solid continuous platform must be constructed.

WARNING: MAINTAIN MINIMUM CLEARANCES.

Do not install in the vicinity of gasoline or other flammable liquids. The heater must be kept clear and free from these combustible materials and may not be located near where they are stored.

Clearances

WARNING: DO NOT INSTALL THESE APPLIANCES IN SLEEPING QUARTERS, OR IN RECREATIONAL VEHICLES.

WARNING: DO NOT INSTALL THESE APPLIANCES:

- WHERE CURTAINS, FURNITURE, CLOTHING OR OTHER FLAMMABLE OBJECTS ARE LESS THAN 42" FROM THE FRONT OF THE UNVENTED ROOM HEATER.
- IN HIGH TRAFFIC AREAS.
- IN WINDY OR DRAFTY AREAS.

Ensure the minimum clearances shown in *Figures 2, 3 and 4 thru 9* (whatever applicable) are maintained.

Minimum clearance to combustibles are:

Appliance:	side and back - 0"
	floor - 0"
	adjacent wall - 6"
	ceiling - 37 1/2" (953 mm)

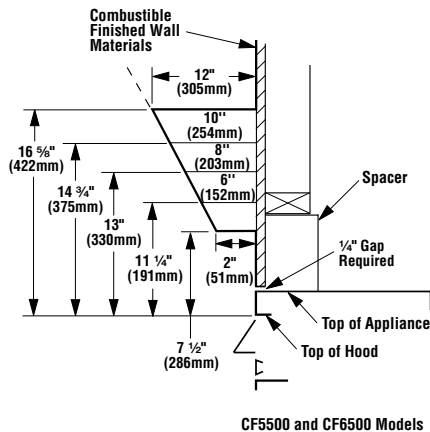


Figure 2

A hearth extension is not required with this appliance. If a hearth extension is used, do not block the lower control compartment door. Any hearth extensions used is for appearance only and does not have to conform to standard hearth extension installation requirements.

Note: Combustible wall finish materials and/or surround materials must not be allowed to encroach the area defined by the appliance front face (black sheet metal). Never allow combustible materials to be positioned in front of or overlapping the appliance front face.

A combustible mantel shelf projecting a maximum of 8" (203 mm) from the wall may be installed a minimum distance of 13" (330 mm) from the top of the hood (*Figure 3*).

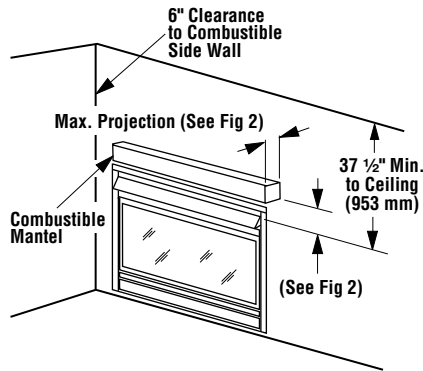


Figure 3

PREINSTALLATION

Check that all listed parts have been received.

Carefully inspect the heater case and contents for shipping damage and immediately inform the dealer from whom you purchased the gas fireplace if any damage is found.

The appliance is shipped with all gas controls and components installed and pre-wired. Remove the shipping carton, exposing the optional (if installed) front glass door frame. Remove wood slats and remove and discard the wood slat mount brackets. Loosen and remove the three (3) 1/4"-20 x 1" Phillips pan head screws at the three (3) tabs located along the door frame top edge. Tilt the glass door frame assembly outward and disengage the three (3) tabs along the bottom of the door from the three (3) brackets at the bottom of the firebox opening. Remove the door and set the panel aside protecting it from inadvertent damage. Retain the three (3) screws for use on reassembly.

Check Gas Type

This appliance can only be connected to the gas type specified on the appliance data plate. This appliance can not be modified in the field for a different gas type. If the gas type to be used is not the one specified contact the dealer to obtain the correct gas appliance.

Note: Illustrations shown in this manual reflect "typical" installations with nominal dimensions and are for design and framing reference only. Actual installations may vary due to individual design preferences. However, always maintain minimum clearances to combustible materials and do not violate any specific installation requirements.

Note: The following steps represent the normal sequence of installation. Each installation is unique, however, and might require a different sequence.

CAUTION: HEATERS CREATE WARM AIR CURRENTS. THESE CURRENTS MOVE HEAT TO WALL SURFACES NEXT TO HEATER. INSTALLING HEATER NEXT TO VINYL OR CLOTH WALL COVERINGS OR OPERATING HEATER WHERE IMPURITIES IN THE AIR (SUCH AS TOBACCO SMOKE) EXISTS, MAY DISCOLOR WALLS.

Step 1. Position heater in desired location (onto surround base or into prepared framing) and secure.

Step 2. Plumb gas line. (Gas connections should only be performed by an experienced, licensed/certified tradesman.)

Step 3. Assemble logs and test flame appearance.

Step 4. Complete finish wall material, surround and optional hearth extension to your individual taste.

INSTALLATION STEPS

WARNING: DO NOT ALLOW FANS TO BLOW DIRECTLY INTO THE FIREPLACE. AVOID ANY DRAFTS THAT ALTER BURNER FLAME PATTERNS.

WARNING: DO NOT USE A BLOWER INSERT, HEAT EXCHANGER INSERT OR OTHER ACCESSORY NOT APPROVED FOR USE WITH THIS HEATER.

This appliance must not be operated without a front glass panel installed.

Do not burn solid fuels in this listed unvented gas room heater.

Step 1. Frame CF5500 appliance enclosures as illustrated in *Figures 4, 5 and 6*. Frame CF6500 appliance enclosures as illustrated in *Figures 7, 8 and 9*.

Note: The framed depth (15 1/2" for a flat wall, 29 3/4" for a corner CF5500 and 19 1/2" and 33 7/8" for a CF6500) must always be measured from a finished surface. If a wall covering such as drywall is to be attached to the rear wall, then the dimension must be measured from the drywall surface.

Note: Framing dimensions in Figures 4 - 9 are calculated for a nailing flange depth of 1/2" (13 mm).

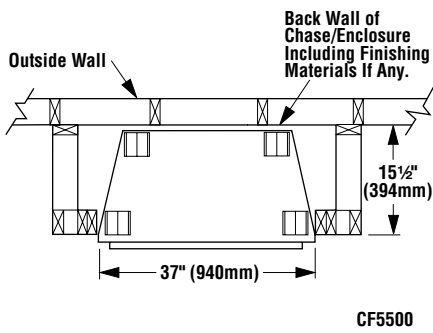


Figure 4

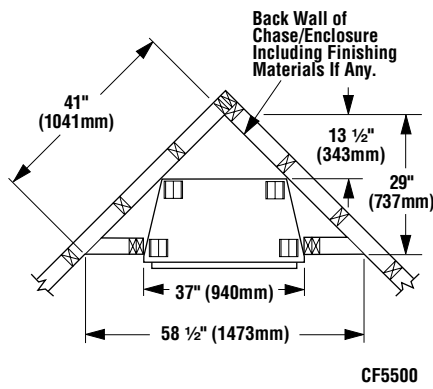


Figure 5

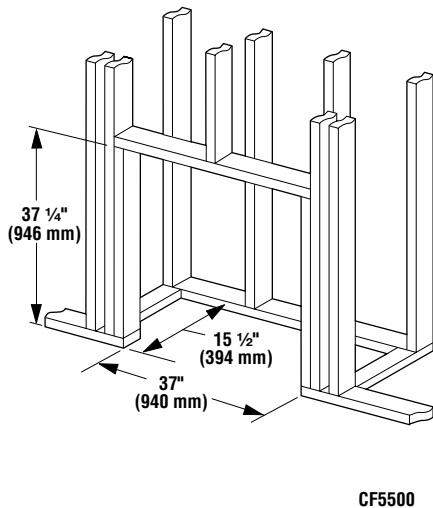


Figure 6

The header may be in direct contact with the top metal spacers, but must not rest on them or be notched to fit around them.

Step 2. Route a 1/2" (13 mm) gas line along the left or right side framing (see Figure 10).

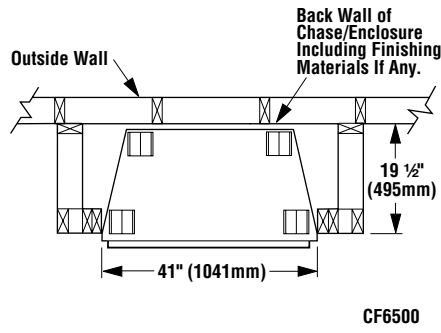


Figure 7

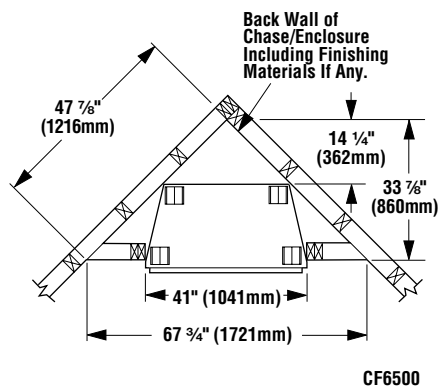


Figure 8

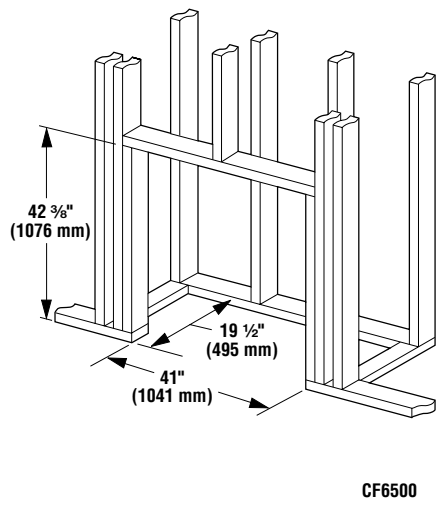


Figure 9

All appliances have a 3" long 3/8" NPT nipple installed at the valve. To quickly and easily complete the gas line routing, use the gas flex line kit, Model GFLV.

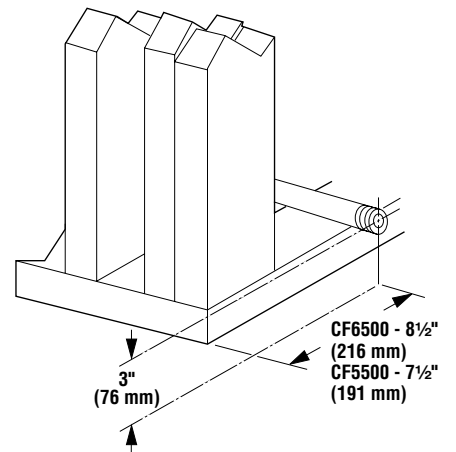


Figure 10

Step 3. Remove the nailing flanges from the lower control compartment and install in place with three (3) screws each. Align with the three holes on each side of the appliance (see Figure 11).

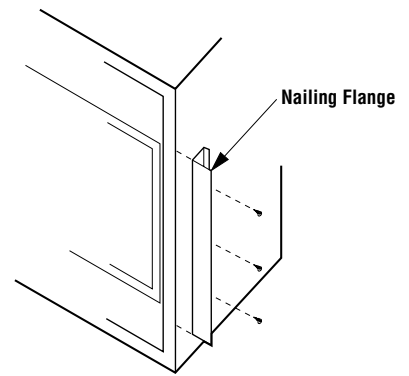


Figure 11

All units come complete from the factory with an installed hood. Ensure that the hood is installed. If required, position the hood in the open area above the appliance door covering the diverter baffles. Insert the tabs, on each end of the hood, into the bracket at each end. Bend the two tabs over to secure.

Step 4. Position appliance into prepared framing, secure with 6d nails at the nailing flange along each side.

Step 5. Connecting Gas Line – Make gas line connections. All codes require a shut-off valve mounted in the supply line. Figure 12 illustrates two methods for connecting the gas supply. Installation methods and materials must be in compliance with local codes.

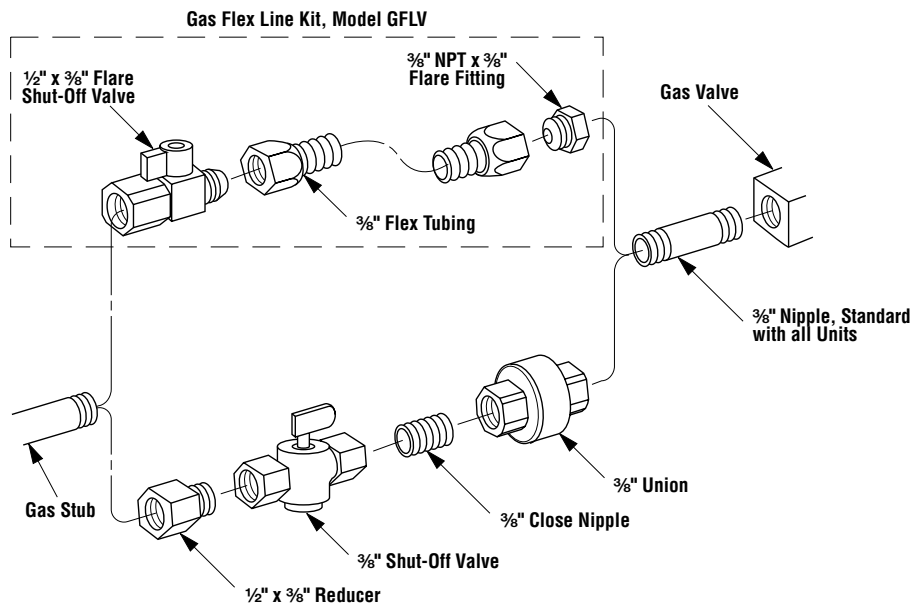


Figure 12

The gas control valve is located in the lower control compartment. To access the valve open the lower control compartment door (Figure 13). The control valve has a 3/8" NPT thread inlet port and is fitted with a 3" (76 mm) long nipple, 3/8" NPT on both ends. Plan the connections accordingly.

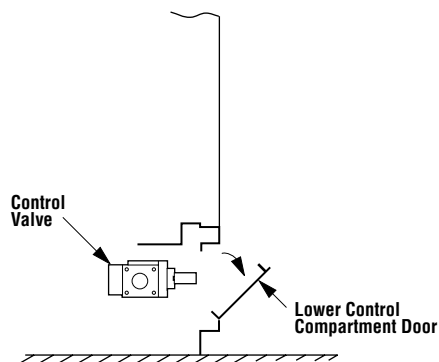


Figure 13

Secure all joints tightly using appropriate tools and sealing compounds (ensure propane resistant compounds are used in propane applications). Turn on gas supply and test for gas leaks using a soapy water solution. **Never use an open flame to check for leaks.**

A. Mix a 50% dish soap, 50% water solution.

B. Light the appliance (refer to safety and lighting instructions on page 17).

C. Brush all joints and connections with the soapy water solution to check for leaks. If bubbles are formed, or gas odor is detected, turn the gas control knob to the "OFF" position. Either tighten or refasten the leaking connection and retest as described above.

D. When the gas lines are tested and leak free, observe the individual tongues of flame on the burner. Make sure all ports are open and producing flame evenly across the burner. If any ports are blocked, or partially blocked, clean out the ports.

An external regulator must be used on all propane (L.P.G.) heaters, in addition to the regulator within the gas valve, to reduce the supply tank pressure to 13" w.c. (maximum).

WARNING: CONNECTING DIRECTLY TO AN UNREGULATED PROPANE TANK CAN CAUSE AN EXPLOSION.

Step 6. Wiring – The wiring diagram is detailed in Figure 14. Refer to Figure 15 to field wire optional wall switch. All electrical wiring must be in accordance with local codes or, in the absence of local codes the latest edition of the National Electrical Code, ANSI/NFPA 70. The heater must be electrically grounded.

Step 7. Installing the Optional Remote Wall Switch – The standard millivolt system comes from the factory wired as shown in Figure 14. Select a convenient location for the remote wall switch and connect the wiring to the appliance (Figure 15).

CAUTION: DO NOT CONNECT THE OPTIONAL REMOTE SWITCH TO A 120V POWER SUPPLY.

Note: The optional rocker switch is mounted to the appliance and wired in the same way as the remote wall switch.

NOTE: DIAGRAMS & ILLUSTRATION NOT TO SCALE.

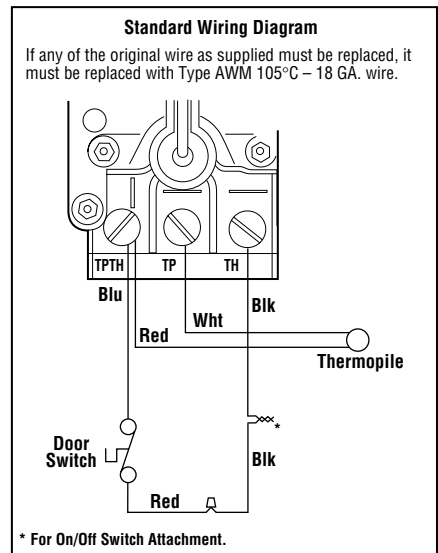


Figure 14

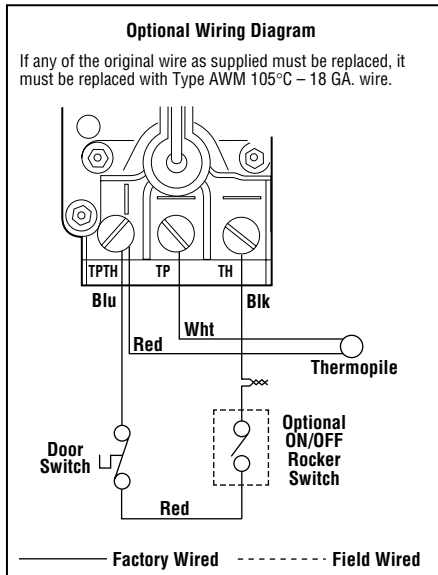
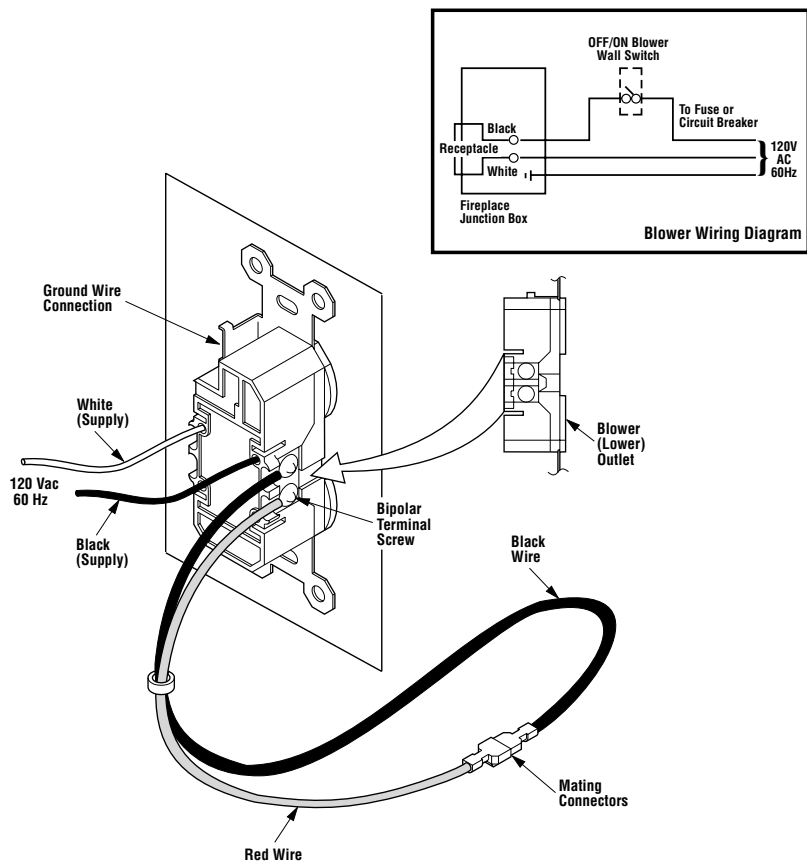


Figure 15

Step 8. Installing the Optional Forced Air Blower Kit Wiring – An electrical outlet box is provided for the installation of the FAB-1100 forced air blower kit (optional). Electrical power must be provided to this box to operate the blower.

Route a 3-wire, 120Vac power line with control switch to the lower right rear corner of the appliance. Make connections to the receptacle as shown in Figure 16.

IMPORTANT: Ground lead must be connected to the green screw located on the junction box cover plate. Failure to do so will prevent the appliance from operating. The appliance must be electrically grounded in accordance with local codes or, in the absence of local codes, the National Electrical Code, ANSI/NFPA 70- latest edition. (In Canada, the current CSA C22-1 Canadian Electrical Code.)



Note: Supply wires may be alternatively connected to the outlet using the screw terminals, however the black supply wire must be ganged wired to the same terminal that the pre-wired black wire is attached to and the white supply wire must be connected to the opposite side of the outlet.

Figure 16

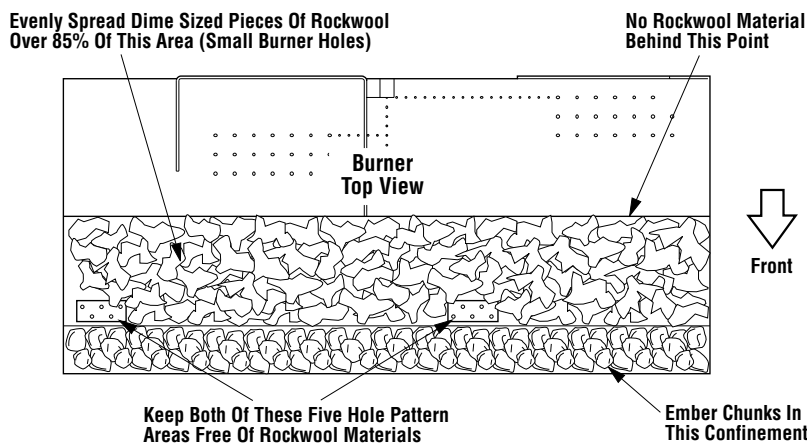


Figure 17

The forced air blower kit may be mounted at initial appliance installation or at any time thereafter. Follow the instructions provided with the blower kit.

Finished Wall Details

It is sometimes best to frame the appliance after it has been positioned in place. Frame with 2 x 4s or heavier lumber. Always frame in accordance with local building codes.

Note: The header may rest on the top spacers but must not be notched to fit around them.

In order to install the appliance facing flush with the finished wall, position the framework to accommodate the thickness of the finished wall (Refer to Figures 2 and 3).

If you live in a cold climate, seal all cracks around your appliance with noncombustible material and wherever cold air could enter the room. It is especially important to insulate outside chase cavity between studs and under floor on which appliance rests, if floor is above ground level.

WARNING: DO NOT ADD EXTRA LOGS OR ORNAMENTS SUCH AS PINE CONES, VERMICULITE OR ROCK WOOL. USING THESE ADDED ITEMS CAN CAUSE SOOTING.

WARNING: DO NOT PLACE ANY LAVA ROCK ON LOGS OR BURNERS. THIS MAY CAUSE SOOTING.

Step 9. Ember Coal, Rockwool and Log Installation – The logs are packaged in a carton packed inside the firebox. Remove the ceramic fiber coals from their packaging and spread evenly in the area in front of the burner. Place the rockwool over the front half of the burner ports, avoiding the two groups of five larger holes (refer to Figure 17). Place ember coals in the confined area in front of the burner and behind the appliance front lip. Reinstall the log grate removed in preparing the insert. Secure the grate with the two (2) screws previously removed.

WARNING: FAILURE TO POSITION THE PARTS IN ACCORDANCE WITH THESE DIAGRAMS OR FAILURE TO USE ONLY PARTS SPECIFICALLY APPROVED WITH THIS HEATER MAY RESULT IN PROPERTY DAMAGE OR PERSONAL INJURY.

Carefully position and center the fiber logs onto the burner in the manner illustrated (Figure 18). Positioning pins indicate log location. **The flames should not impinge on the logs.**

Install the logs beginning with the right rear log first (a). Engage it as shown over the pin located at the back of the right log rack bar (Figure 18).

Next, install the main log assembly (b) over the pin located at the back of the left log rack bar. The charred right nose of the main log rests directly on the burner pan positioned against the extension protruding from the right log rack bar, and the end of the short (second from the right) log rack bar.

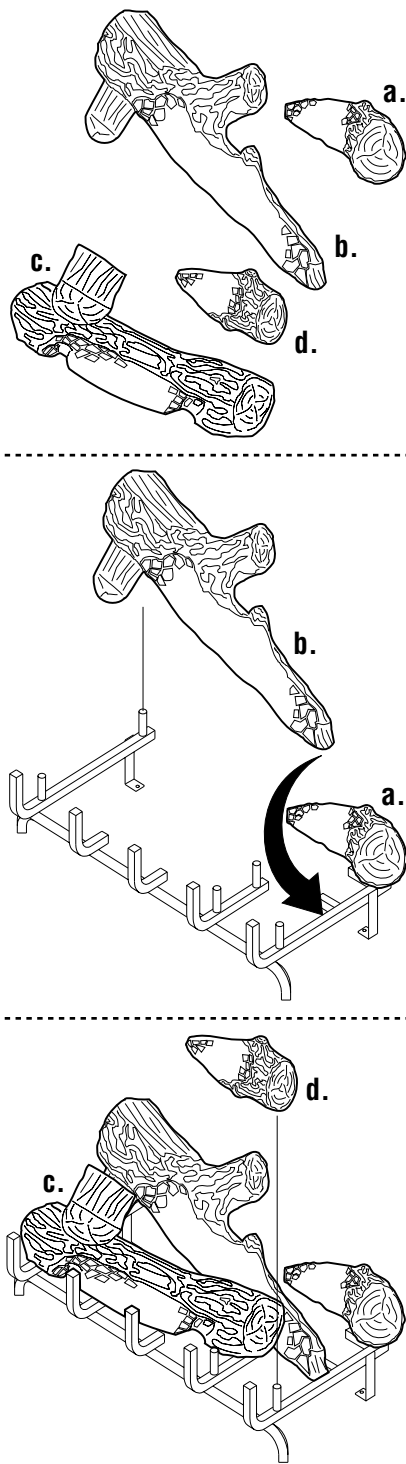


Figure 18

Position the front log assembly (c) over the pin located at the front of the left log rack bar and the back pin of the short (second from the right) log rack bar. Install the remaining right front log (d) over the last two pins located at the front of the right log rack bar and the short log rack bar respectively.

The installation of the logs should be complete and resemble *Figure 18*.

Step 10. Checking the System – After the gas line is installed, logs are in place and the system is leak checked, run initial system checkout before closing up the front of the unit. Follow the pilot lighting instructions on pages 16 and 17.

Note: Instructions are also found on the pull out panel located on the bottom surface of the appliance.

When first lighting the appliance, it will take a few minutes for the line to purge itself of air. Once purging is complete, the pilot and burner will light and operate as indicated in the instruction manual.

Subsequent lightings of the appliance will not require such purging. Inspect the pilot flame (remove logs, if necessary, handling carefully).

The flame should be steady, not lifting or floating. Flame should be blue in color with traces of orange at the outer edge.

For natural gas units the last $\frac{3}{8}$ " (10 mm) of the pilot generator (thermopile) and the top $\frac{1}{8}$ " (3.2 mm) min (tip) of the quick drop out thermocouple should be engulfed in the pilot flame (*Figure 19*).

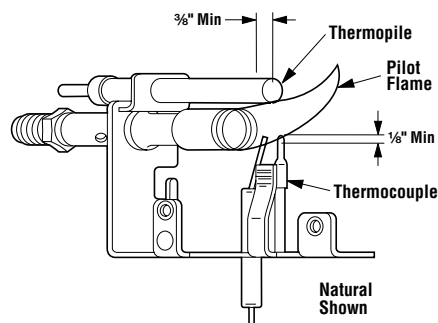


Figure 19

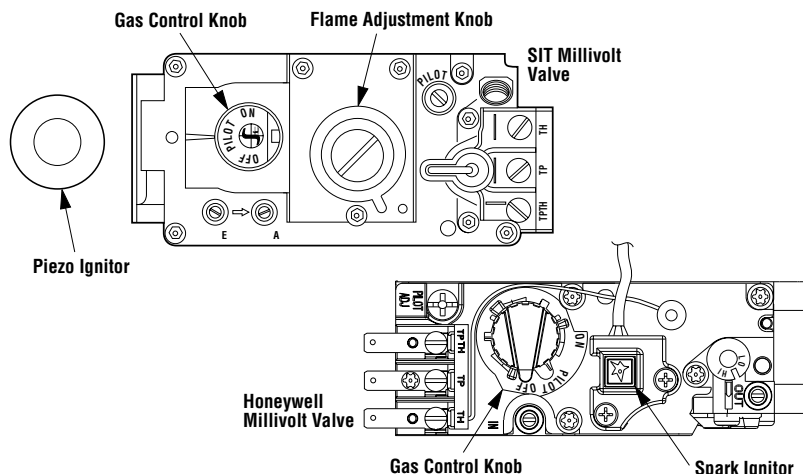


Figure 20

On propane models the last $\frac{3}{8}$ " (10mm) of the pilot generator should be engulfed in the pilot flame. The propane thermocouple is attached to the side of the pilot burner tube.

Replace logs if removed for pilot inspection.

To light the pilot, manually depress and hold the door safety switch (*Figure 21*) and rotate the control knob counterclockwise to the "PILOT" position and press in and light by pressing the piezo button (refer to lighting instructions on page 17 and *Figure 20*).

Note: The door safety switch must be held closed and the rocker switch must be "ON" for burner operation (*Figure 21*).

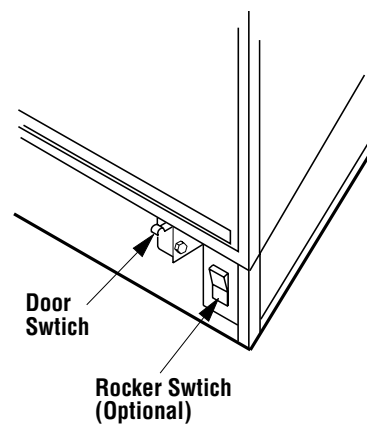


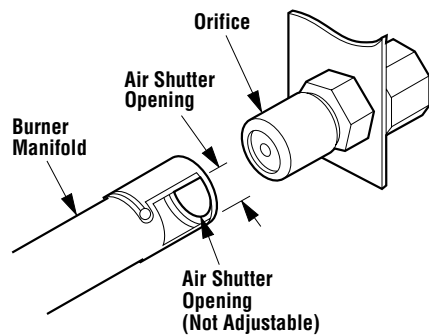
Figure 21

To obtain proper operation, it is imperative that the main burner characteristics are steady. The flame should produce a clear, bright orange/yellow flame. No smoke or soot elements should be visible. If questionable, check with your service man or gas supplier. The flames should not impinge on the logs, reposition them if necessary.

The flame height and BTU input may be altered by rotating the flame control valve from low to high.

CAUTION: DO NOT ATTEMPT TO REDUCE OR ALTER THE FLAME BY POSITIONING THE GAS VALVE IN OTHER THAN THE FULL "ON" POSITION.

The air shutter on the venturi tube has been set at the factory for both natural and propane gas models, refer to *Figure 22* for air shutter settings.



CF-5500	CF-6500
Natural Gas - 1/16" Open	Natural Gas - 1/16" Open
Propane Gas - 1/8" Open	Propane Gas - 3/16" Open

Figure 22

Flame Appearance

REFER TO THE OPERATING INSTRUCTIONS LOCATED AT THE BACK OF THIS MANUAL BEFORE LIGHTING THE HEATER TO OBSERVE THE FLAMES.

Note: Instructions are also found on the pull-out panel located in the lower control compartment of the appliance.

Note: The door switch must be held closed for burner operation when testing.

Flames from the pilot and main burner should be visually checked when the appliance is installed. In addition a periodic visual check of the flames should be made throughout the life of the appliance. The pilot flame should always be present when the heater is in operation and should just envelope the tip of the thermocouple (*Figure 23*). The main burner flames must not impinge on the logs with the exception of the charred areas, flame appearance should be as shown in *Figure 24*.

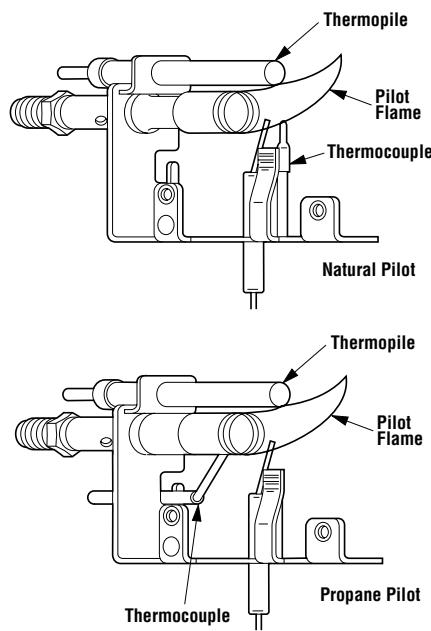
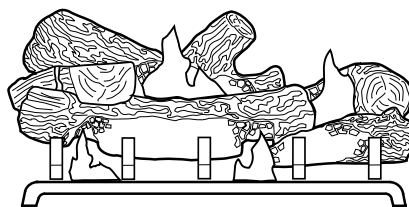


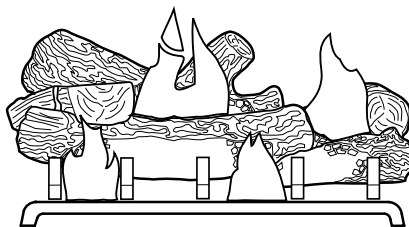
Figure 23

WARNING: NO ADJUSTMENTS ARE TO BE MADE TO THE ODS PILOT SYSTEM. TAMPERING WITH THIS SYSTEM WILL VOID THE WARRANTY AND CAN BE EXTREMELY HAZARDOUS.

A pilot flame that does not envelope the thermocouple tip, will cause the main burner to function improperly. If the pilot flame does not envelope the thermocouple tip as shown in *Figure 23*, contact your service representative. In normal operation after 15 minutes the following main burner flame appearance should be observed (*Figure 24*).



Low Flame



High Flame

Figure 24

Rear Burner Flames – The rear flames rising in front of center and rear logs should be yellow and extend about 2 1/2 – 3" above the large logs for natural gas and 1 1/2 – 2 1/2" above for propane gas.

Front Burner Flames – The flames at the front of the main burner will be blue becoming yellowish as they hit the bark-like texture on the front face of the front base log.

Low flame setting observable characteristics are approximately 2" to 2 1/2" shorter than the flames are on high.

Refer to the Operation and Maintenance instructions on page 12 of this manual for flame adjustment procedures.

Appliance Operation

WARNING: THE LOWER CONTROL COMPARTMENT AREA AND LOWER CONTROL COMPARTMENT ACCESS DOOR ARE EXTREMELY HOT WHEN THE APPLIANCE IS IN OPERATION. EXERCISE EXTREME CARE WHEN ACCESSING THIS AREA. TOUCH ONLY THE FAR ENDS OF THE LOWER CONTROL COMPARTMENT DOOR WHEN OPENING WHILE THE APPLIANCE IS HOT.

Step 11. Checking the System – With gas line installed run initial system checkout before closing up the front of the unit. Follow the pilot lighting instructions on pages 17.

Note: Instructions are also found on the pull out panel located in the lower control compartment of the appliance.

To light the burner; turn "ON" the optional remote wall switch (if installed) and rotate the gas valve control knob counterclockwise to the "ON" position.

Note: The door switch must be held closed for burner operation when testing.

When first lighting the appliance, it will take a few minutes for the line to purge itself of air. Once purging is complete, the pilot and burner will light and operate as indicated in the instruction manual. Subsequent lightings of the appliance will not require such purging. Inspect the pilot flame (remove logs, if necessary, handling carefully).

The pilot flame should be steady, not lifting or floating. Flame should be blue in color with traces of orange at the outer edge.

NOTE: DIAGRAMS & ILLUSTRATION NOT TO SCALE.

The last $\frac{3}{8}$ " (10 mm) of the pilot generator (thermopile) should be engaged with the pilot flame.

Replace logs if removed for pilot inspection.

Step 11. Installing the Glass Door Frame –

Retrieve the glass door frame visually. Position the door frame in front of the firebox opening, with the joint in the gasket down. Locate the three (3) tabs at the bottom edge of the door frame into the three (3) brackets at the base of the fireplace front opening. Lean the door frame back towards the fireplace ensuring that the frame seats evenly as it draws shut.

Install the three (3) $\frac{1}{4}$ "-20 x 1" Phillips pan head screws removed previously and tighten to secure. Ensure that the tab on the bottom of the door frame engages the door switch.

Make sure the screws are tightened equally to avoid torquing the door (Figure 25).

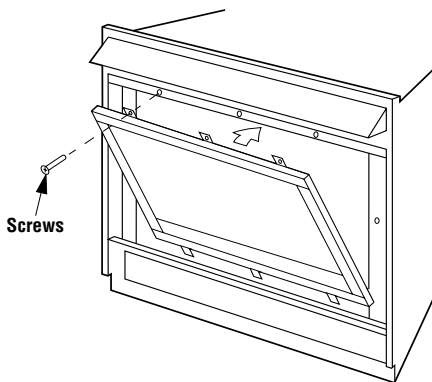


Figure 25

OPTIONAL EQUIPMENT

An incomparable package of options are available for use with these appliances. These options can both customize the operation of these unique appliances and enhance their beauty and charming appeal. All options are available in kit form, are easy to install and are packaged complete with all required parts and instructions. Some of the option kits need to be fitted prior to completing the installation of the appliance. The following paragraphs detail the kit options available for use with the appliances covered in this manual.

These outstanding optional items can be added individually or in sets of two or more to customize your appliance to fit your homes unique needs. Kit model numbers are provided on page 14 along with descriptive illustrations.

The appliances covered in this manual are heater rated and produce a great deal of heat. Decorative brass trim pieces and hoods may tarnish because of their proximity to the heater opening and front face. Tarnishing of these pieces is normal, unavoidable and should be expected.

Forced Air Kit

The FAB-1100 assembly (Figure 26) provides a forced air circulation feature for your appliance. This kit mounts directly into the lower intake chamber, behind the blower shield, with an electrical connection made at the receptacle provided (Figure 27). The appliance must have an independent 120Vac power line incorporated at the time of installation. Place the blower against the back wall of the appliance within its chamber behind the blower shield. The blower shield has to be removed for blower insertion and replaced before the installation is complete. The instructions provided with the blower kit detail all wiring and operation concerns.

The blower shield located at the back of the appliance lower control compartment isolates the blower chamber from the control area in front. The blower shield is secured in place with two screws that must be removed and retained for reuse. Pull the bottom of the shield forward and bring the top down to remove the shield horizontally, flat against the appliance bottom and below the gas controls, piping, and wiring. The blower may be inserted around the right side of the gas controls after any intervening connecting field installed gas line has been re-routed or removed. Place the blower within the chamber, (Refer to the diagrams provided with the blower Kit) and reinstall the blower shield. Ensure the blower wire is routed through the notch in the bottom edge of the shield.

Access to the blower chamber at the rear of the lower control compartment in CF-5500 appliances is restricted due to its compact design, by the interfering tubing of the gas controls assembly. To provide clearance for the blower, the spudplate assembly must be lifted up slightly to allow the blower to be inserted into its chamber under it. To allow the spudplate to be lifted, remove the four screws securing it to the appliance firebox floor. The screws must be accessed from within the firebox. Refer to Page 5 and Step 11 for door removal and replacement, refer to Step 9 for log removal, handling and placement instructions.

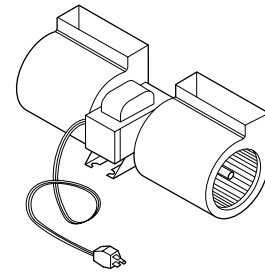


Figure 26

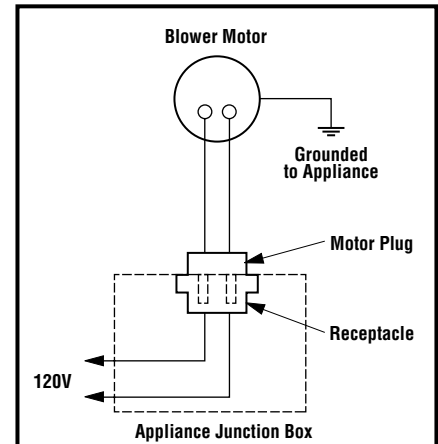


Figure 27

Wall Switch Kit

An optional wall switch kit can be installed along with all CF appliances. The kit consists of a standard UL wall switch with cover plate. This kit provides for remote (wall) operation of the appliance. Replace the wall switch and cover plate of this kit with the components of the RCK and you can have true remote control of your direct vent appliance, turning it on and off from your favorite easy chair. The wall switch kit should be installed along with the appliance. Refer to Figure 15 and Step 7 for detailed installation instructions.

Rocker Switch Switch Kit

An optional rocker switch kit can be installed directly on all CF series appliances to provide for On and Off operation in lieu of a wall switch. This kit is designed to install in the lower control compartment out of view and is perfect for use in high volume areas such as lobbies and model homes where limited access to the appliance On/Off switch is desirable. This kit can be retrofitted to previously installed appliances and may be temporarily installed in place of other switch circuitry.

Screen Panel Kit

An optional screen panel can be installed on the CF door. This screen panel is easy to install using the provided hardware. The screen panel can be installed with both ceramic and tempered glass in the door. This kit can be retrofitted to previously installed appliances. The screen panel kit may not be used in conjunction with the one piece decorative arch kits.

Remote Control Kit

The Model RCK adds the convenience of remote control for your appliance. The kit includes a wireless, hand held transmitter and a receiver that replaces the wall switch. This special receiver permits either manual or remote control modes. Both receiver and transmitter operate on standard 9 volt batteries (not included). Refer to the RCK installation instruction for specific details.

Brass Hood Kit

An attractive brass hood is available to be used on the CF appliance. These hoods are designed to be fitted to the face of the appliance above the door. In addition to providing an aesthetically pleasing appearance to your appliance installation, the hood reduces heat effects to decorative mantles and finish materials located directly above the fireplace opening. The hood kit includes the necessary attaching hardware. This kit can be retrofitted to previously installed appliances.

Brass Square Surround Kit

Decorative brass square surround kits are available for use with these appliances. The BSK-5 and BSK-6 are designed to attach directly to the front face of the appliance at its extreme edges. The brass square surround kits provide a picture frame finish for the appliance 2 1/2" wide. Use the BSK-5 with CF5500 appliances and the BSK-6 with CF6500 appliances. The brass square surround kit can be retrofitted onto previously installed appliances.

Brass Louver Kit

Decorative brass louvers are available for use these appliances. These louvers are designed to replace the standard black louvers that are provided with the appliance. The brass louver louver kit includes three (3) plated louvers and a fourth (black) louver, that simply snap into place. They provide a touch of elegance to the CF appliance. This kit can be retrofitted to previously installed appliances.

Wall Thermostat Kit

A wall thermostat kit is available for use with these appliances. The wall thermostat is designed to be wired directly to the appliance millivolt gas control circuit and provide automatic On/Off control of the appliance to maintain a desired temperature within the room.

Decorative Volcanic Stone

The decorative volcanic stone, Model DVS, can be used to enhance the look of your appliance. Spread the decorative volcanic stone evenly around the bottom of the firebox.

One Piece Arch Kit

A one piece complete door arch kit is available for use with these CF appliances. The kit is easy to install and does not require hardware to attach it to the standard door frame. This kit can be retrofitted to previously installed appliances. The one piece decorative arch kit can not be used in conjunction with the screen panel kit.

Gas Flex Line with Valve

A gas flex line kit is available to aid in attaching this appliance to the gas supply. This kit can only be used where local codes permit. The kit includes a 1/2" NPT to 3/8" flare in line shut-off valve, a 12" flex line 3/8" female flare through and a 3/8" flare to 3/8" NPT fitting. The components of this kit are rated for both natural and propane gas. This kit is designed to be used as an aid in installing the appliance.

WARNING: CHILDREN AND ADULTS SHOULD BE ALERTED TO THE HAZARDS OF HIGH SURFACE TEMPERATURES. USE CAUTION AROUND THE APPLIANCE TO AVOID BURNS OR CLOTHING IGNITION. YOUNG CHILDREN SHOULD BE SUPERVISED WHEN THEY ARE IN THE SAME ROOM AS THE APPLIANCE.

OPERATION AND CARE OF YOUR APPLIANCE

1. Appliance operation is controlled through an on/off switch. Separate switches may provide independent control for the optional forced air kit and fireplace operation (see Optional Equipment).

2. To light the appliance refer to the lighting instructions located at the back of this manual.

Note: Instructions are also found on the pull-out panel located in the lower control compartment of the appliance.

3. Flame Adjustments – These appliances are equipped with a two stage, High (HI), Low (LO) gas control valve. This valve provides for easy flame height adjustment. To adjust the burner between the HI and LO settings, rotate the HI/LO knob, located in the center of the valve front face, clockwise and counter-clockwise respectively.

4. When lit for the first time, the appliance will emit a slight odor for an hour or two. This is due to the "burn-in" of the internal paints and lubricants used in the manufacturing process. Additionally, when lit for the first time, this appliance may produce smoke, this is normal and should be expected. For the first few hours, operate the appliance with doors and windows open to encourage the dissipation of smoke and fumes.

5. Upon each lighting of the appliance, condensation may occur and fog the inside of the glass enclosure panel. This condition is normal and will disappear as the glass surface heats.

6. Always keep the appliance area clear and free from combustible materials, gasoline and other flammable liquids.

7. Remember, these appliances have a continuous burning pilot flame. Exercise caution when using products with combustible vapors.

WARNING: OBSERVE CAUTION NEAR THE GLASS ENCLOSURE PANEL. THE GLASS MAY SHATTER UNEXPECTEDLY OR IF STRUCK WITH AN OBJECT.

8. CAUTION: DO NOT OPERATE THIS APPLIANCE WITH A BROKEN GLASS PANEL. Where broken glass exists, the complete glass enclosure panel must be replaced. See the Replacement Parts List on page 18 for correct replacement part numbers. Glass enclosure panel removal and installation instructions are described on pages 5 and 10 respectively.

Maintenance

CAUTION: DO NOT OPERATE THE APPLIANCE WITH A BROKEN, DAMAGED OR MISSING CATALYTIC COMPONENT.

The appliance should be inspected before use and at least annually by a professional service person. Replace the catalytic component if CO levels measured at the appliance vent outlet exceed 1/1000 of 1% after (10 Min) of burning. Replacement of the catalytic component should only be completed by a qualified service person at least every 20 years.

Ensure the air shutter openings are not obstructed (*see Figure 22*).

Cleaning and Servicing

WARNING: TURN OFF THE APPLIANCE AND ALLOW TO COOL BEFORE CLEANING.

WARNING: ALWAYS TURN OFF THE GAS SUPPLY TO THE PILOT BEFORE CLEANING. BEFORE RE-LIGHTING, REFER TO THE LIGHTING INSTRUCTIONS IN THIS MANUAL. INSTRUCTIONS ARE ALSO FOUND ON THE PULL-OUT PANEL LOCATED IN THE APPLIANCE LOWER CONTROL COMPARTMENT. ONLY LIMITED CLEANING WILL BE REQUIRED UNDER THE NORMAL USE OF THE APPLIANCE. THE EXTERNAL CASE SHOULD BE OCCASIONALLY DUSTED AND WIPED WITH A DAMP SOAPY CLOTH.

Clean the glass only when necessary. Wipe surface with a clean, dampened, soft cloth. Follow with a dry, soft towel as desired. Take care not to scratch the glass surface.

WARNING: DO NOT USE ABRASIVE CLEANERS. NEVER CLEAN THE GLASS WHEN IT IS HOT.

If, after a period of use, the flames start to exhibit unusual shapes and behavior, or the burners fail to ignite smoothly, then the burner holes may require some cleaning. If this occurs, it is preferable to contact your nearest dealer to service the appliance.

Alternatively, at least annually, the glass enclosure panel should be removed and the inside of the firebox and the control compartments cleaned using a vacuum cleaner to remove dust. Remove the top and bottom logs, gently handling by holding each log at each end and set on a piece of paper or cloth to avoid getting any debris on carpet or floor. Use the vacuum cleaner to remove the embers from the base and walls of the firebox and from around the burners. More frequent cleaning may be required due to excessive lint from carpeting material, etc. It is important that control compartments, burners and circulating air passageways of the heater be kept clean. Replace the logs as detailed in Step 9 Log Assembly. Place Rockwool on screen of front burner.

CAUTION: REPLACE THE GLASS ENCLOSURE PANEL BEFORE USING THE APPLIANCE (REFER TO STEP 11).

IMPORTANT SAFEGUARDS

Even though your CF appliance gives a very realistic appearance of a wood-burning fire, it must not be used for burning wood or other similar materials. To avoid damage to the appliance or possible personal injury, matches, paper, garbage or any other material must not be placed or thrown on top of the logs or into the flames. Always ensure that the appliance glass enclosure panel is firmly fixed in place. Do not remove the glass enclosure panel during normal operation of the appliance.

To avoid personal injury, do not touch hot surfaces when the appliance is operating. Close supervision of children is necessary when the appliance is in use.

SPECIAL WARNINGS

Do not open the louvered control compartment access panel from the middle when unit is hot. Only the ends of the louvers are cool to the touch.

The glowing logs are manufactured from bonded ceramic fiber which is commonly used material in the heating industry worldwide.

Intentional misuse or deliberately fragmenting the material could be hazardous to health by inhaling.

These CF appliances are intended for use as a gas heater as described in these instructions and should not be used for any other purpose.

Repair and work involving replacing parts should only be carried out by a qualified service person.

Always shut off the gas supply and allow the appliance to cool before beginning any service work.

Always check for gas leaks after servicing.

If any major repair or service is required, the qualified service person must contact the SFC, INC. service department before proceeding.

REPLACEMENT PARTS

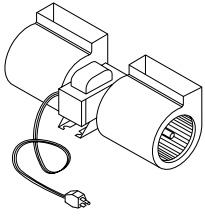
Exploded views of the appliances with numbered parts and parts lists can be found on pages 18 and 19. All parts should be ordered through your SFC distributor or dealer. Parts will be shipped at prevailing prices at time of order. When ordering repair parts, always give the following information:

1. The model number of the appliance.
2. The serial number of the appliance.
3. The part number.
4. The description of the part.
5. The quantity required.
6. The installation date of the appliance.

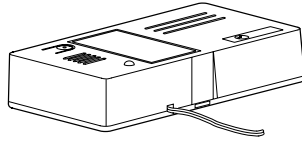
If you encounter any problems or have any questions concerning the installation of this system, please contact your distributor. For the name of your nearest distributor contact:

**SFC
1110 West Taft Avenue
Orange, CA 92865**

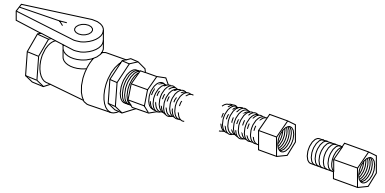
ACCESSORIES AND COMPONENTS



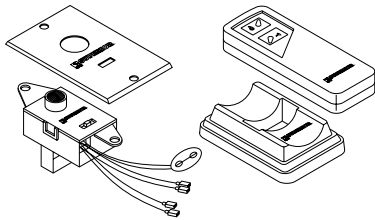
Forced Air Kit **FAB-1100**



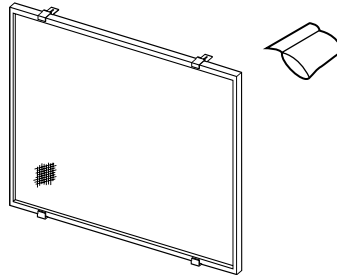
CO Sensor Kit **CMSK**



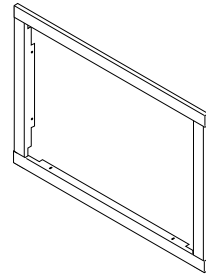
Gas Flex Line Kit **GFLV**



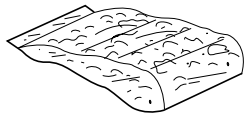
Remote Control Kit **RCK**



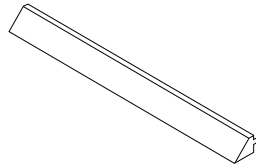
Screen Panel Kits **SPK-5000**
SPK-6000



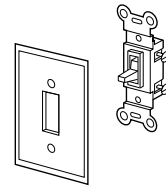
Brass Square Surround Kits **BSK-5**
BSK-6



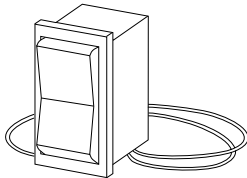
Decorative Volcanic Stone **DVS**



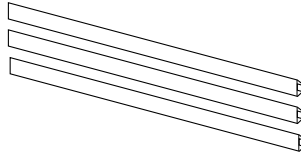
Brass Hood Kit **VF5-PBH**
VF6-PBH



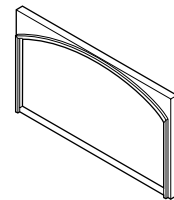
Wall Switch Kit **WSK**



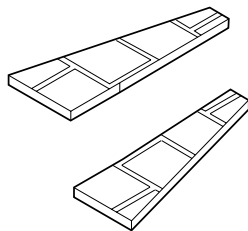
Rocker Switch Kit **RS**



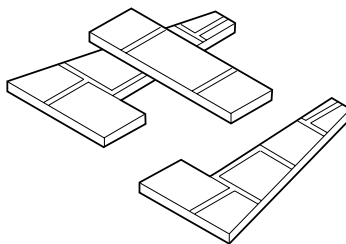
Brass Louver Kits **VF5-BRLK**
VF6-BRLK



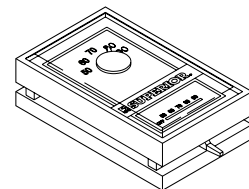
1-Piece Decorative Arch Frame Kit **DAT-5000-1**
DAT-6000-1



Bottom Brick Liner (CF-5500) **BBL-5**



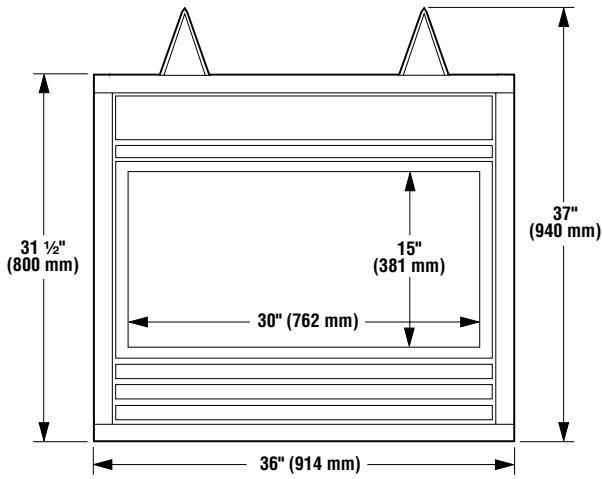
Bottom Brick Liner (CF-6500) **BBL-6**



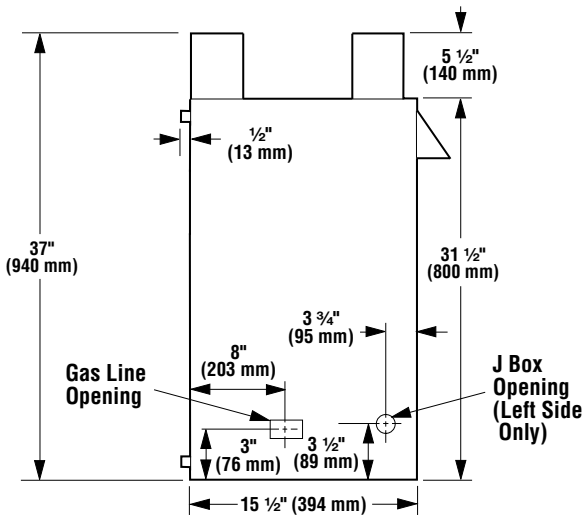
Thermostat **WTK**

NOTE: DIAGRAMS & ILLUSTRATION NOT TO SCALE.

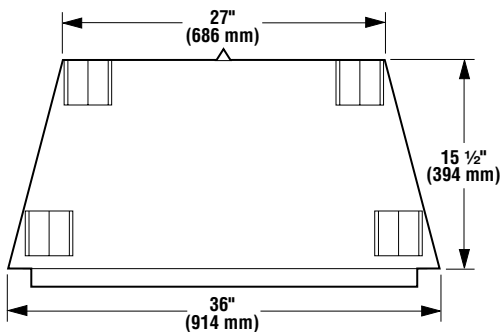
CF5500 SPECIFICATIONS



**Front View
(CF5500)**



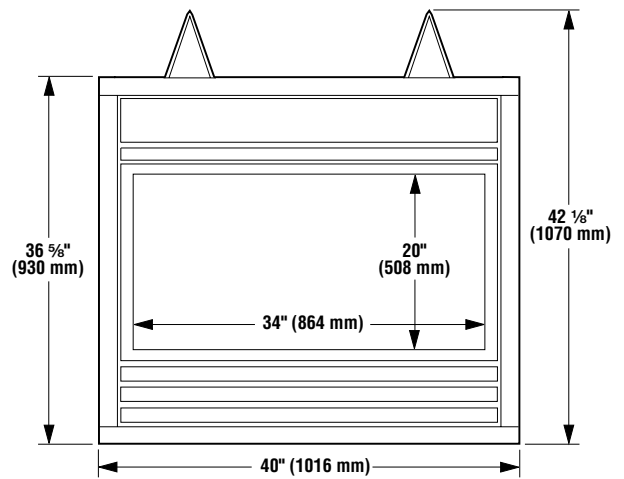
**Left Side View
(Right Side View - Opposite)**



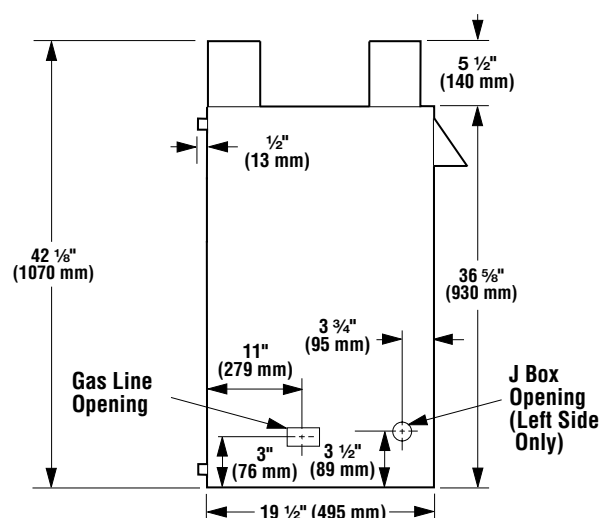
Top View

Figure 28

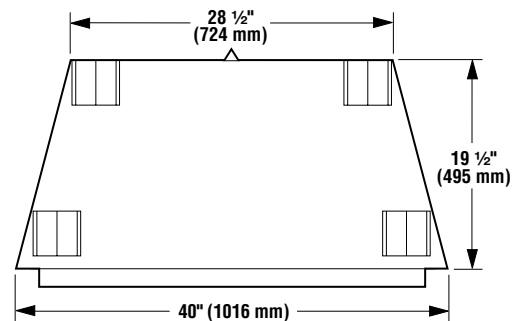
CF6500 SPECIFICATIONS



**Front View
(CF6500)**



**Left Side View
(Right Side View - Opposite)**



Top View

Figure 29

TROUBLESHOOTING THE CF MILLIVOLT GAS CONTROL SYSTEM

Note: Before troubleshooting the gas control system, be sure external gas shut off valve (located at gas supply inlet) is in the “ON” position.

SYMPTOM	POSSIBLE CAUSES	CORRECTIVE ACTION
1. Spark ignitor will not light pilot after repeated triggering of black button.	A. Defective ignitor (no spark at electrode).	Check for spark at electrode and ODS; if no spark and electrode wire is properly connected, replace ignitor.
	B. Defective or misaligned electrode at pilot (spark at electrode).	Using a match, light pilot. If pilot lights, turn off pilot and trigger the red button again. If pilot lights, an improper gas mixture caused the bad lighting and a longer purge period is recommended. If pilot will not light – check gap at electrode and pilot - should be 1/8" to have a strong spark. If gap measures 1/8", replace ODS system (<i>Figure 19</i>).
	C. Gas supply pressure errant.	Check inlet gas pressure. It should be within the limits as marked on the rating plate.
	D. Pilot orifice plugged.	Clean or replace ODS orifice.
2. Pilot will not stay lit after carefully following the lighting instructions.	A. Defective pilot generator (thermocouple).	Check pilot flame, it must impinge on thermocouple (<i>Figure 19</i>). Clean and/or replace or adjust ODS for maximum flame on thermocouple. Ensure that the connection between the valve and thermocouple are tight and secure.
3. Pilot burning, no gas to burner, Valve knob “ON,” Wall Switch “ON.”	A. Wall switch or wires defective.	Check wall switch and wires for proper connections. Jumper wire across terminals at wall switch, if burner comes on, replace defective wall switch. If okay, jumper wires across wall switch wires at valve, if burner comes on, wires are faulty or connections are bad.
	B. Thermopile may not be generating sufficient millivoltage.	Check thermopile with millivolt meter. Take reading at thermopile terminals of gas valve. Should read 325 millivolts minimum with optional wall switch “OFF.” Replace faulty ODS system if reading is below specified minimum.
	C. Plugged burner orifice.	Check burner orifice for stoppage and remove.
	D. Defective door switch (located at lower right corner of door frame).	Remove door frame (see instructions). Remove two (2) screws from switch mounting bracket, pull switch out. Jumper wire across terminals of door switch. If burner comes on, door switch is defective. Replace.
4. Frequent pilot outage problem.	A. Pilot flame may be too low or blowing (high) causing the pilot safety to drop out.	Clean and/or adjust pilot flame for maximum flame impingement on thermocouple (<i>Figure 19</i>).
5. Frequent burner outage problem.	A. Pilot flame may be too low or blowing (high) causing the valve safety to drop out.	Clean and/or adjust pilot flame for maximum flame impingement on thermopile (<i>Figure 19</i>).

LIGHTING INSTRUCTIONS – MILLIVOLT

FOR YOUR SAFETY READ BEFORE LIGHTING

WARNING: IF YOU DO NOT FOLLOW THESE INSTRUCTIONS EXACTLY, A FIRE OR EXPLOSION MAY RESULT CAUSING PROPERTY DAMAGE, PERSONAL INJURY OR LOSS OF LIFE.

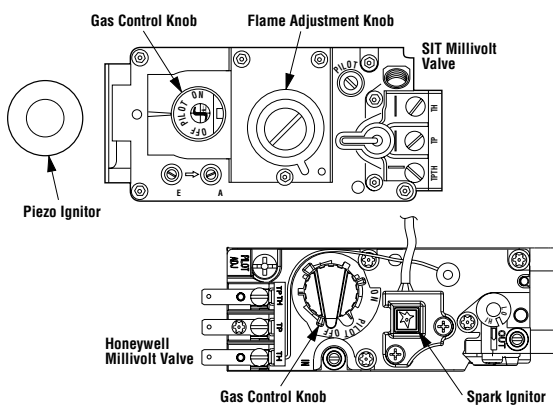
- A.** This appliance has a pilot which must be lit by hand. When lighting the pilot, follow these instructions exactly.
- B. BEFORE OPERATING** smell all around the appliance area for gas. Be sure to smell next to the floor because some gas is heavier than air and will settle on the floor.

WHAT TO DO IF YOU SMELL GAS

- Extinguish any open flame.
 - Open windows.
 - Do not light any appliance.
 - Do not touch any electrical switches.
- C.** Use only your hand to push in or turn the gas control knob. Never use tools. If the knob will not push in or turn by hand, do not try to repair it, call a qualified service technician. Force or attempted repair may result in a fire or an explosion.
- D.** Do not use this appliance if any part has been under water. Immediately call a qualified service technician to inspect the appliance and to replace any part of the control system and any gas control which has been under water.

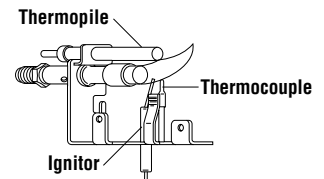
LIGHTING INSTRUCTIONS

1. **STOP!** Read the safety information above on this page.
2. Access left side louver.
3. Turn remote wall switch to “OFF.”
4. Verify main line shut-off valve is open.
5. Push in gas control knob slightly and turn clockwise to “OFF.”



Note: Knob cannot be turned from “PILOT” to “OFF” unless the knob is pushed in slightly. Do not force.

6. Wait five (5) minutes to clear out any gas. If you then smell gas, STOP! Follow “B” in the safety information above on this page. If you do not smell gas, go to the next step.
7. Push in gas control knob slightly and turn counterclockwise to “PILOT.”
8. Push in control knob all the way and hold in. Immediately light the pilot by triggering the spark ignitor (pushing red button) until pilot lights. Continue to hold the control knob in for about 1 ½ minutes after the pilot is lit. Release knob and it will pop back up. Pilot should remain lit. If it goes out, repeat steps 5 through 8.



- If knob does not pop up when released, stop and immediately call your service technician or gas supplier.
 - If pilot will not stay lit after several tries, turn the control knob to “OFF” and call your service technician or gas supplier.
9. Turn gas control knob counterclockwise to “ON.”
 10. Close the side louver.

Note: If the gas valve is turned directly from the “ON” to “OFF” position, the valve will latch in the “OFF” position for 60 seconds.

TO TURN OFF GAS TO APPLIANCE

1. Turn remote wall switch “OFF.” The pilot will remain lit for normal service.
2. For complete shutdown, turn remote wall switch to “OFF.”
3. Access the left side louver.
4. Depress gas control knob slightly and turn clockwise to “OFF.” Do not force.
5. Close the side louver.

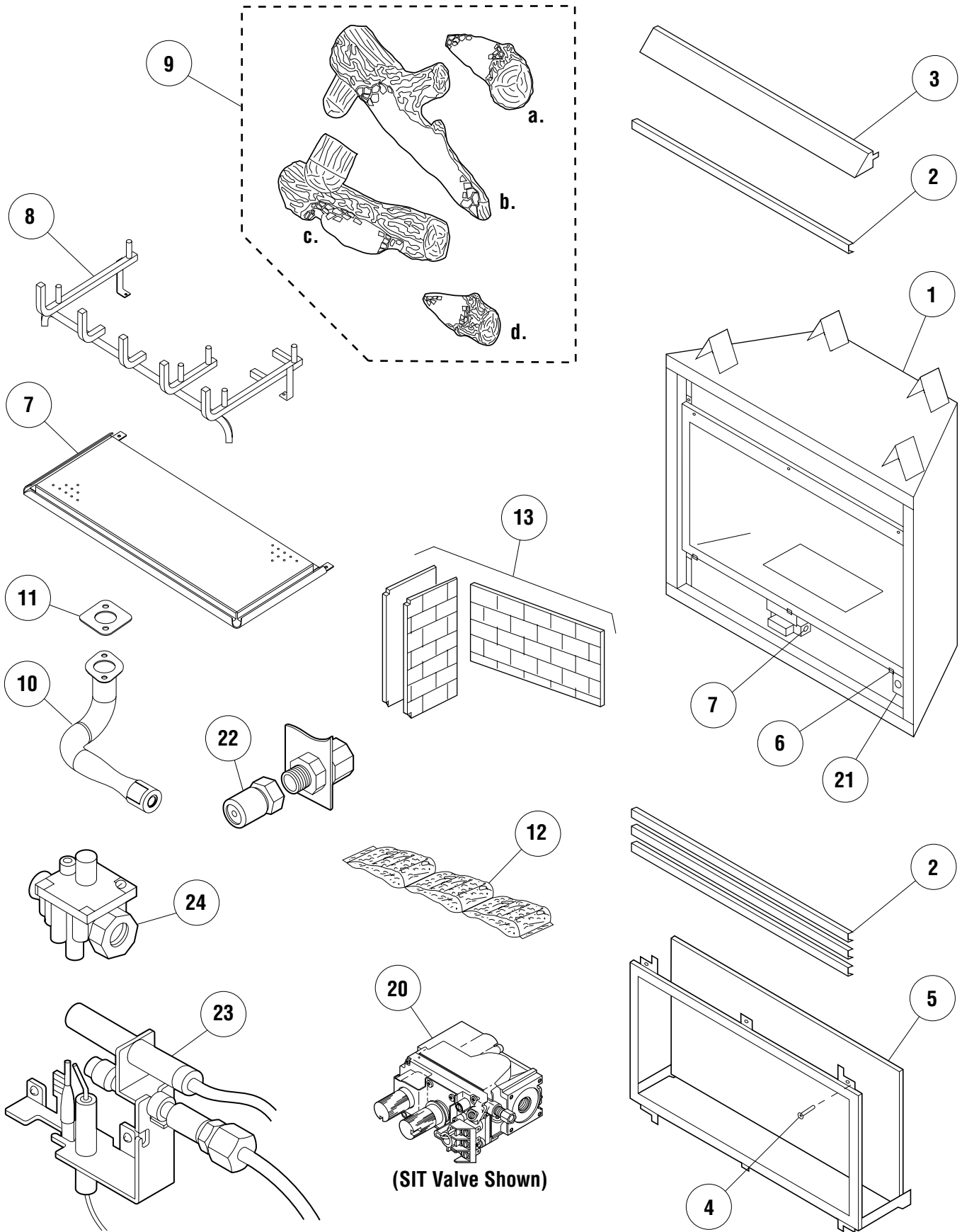
REPLACEMENT PARTS LIST — MILLIVOLT

No.	DESCRIPTION	CF5500-CMN		CF5500-CMP		CF6500-CMN		CF6500-CMP	
		Part No.	Qty.	Part No.	Qty.	Part No.	Qty.	Part No.	Qty.
1.	Gas Fireplace Assembly	128231	1	128232	1	128551	1	128552	1
2.	Bar, Louver (Black)	024504	4	024504	4	104951	4	104951	4
3.	Hood (Black), Clean Face	108951	1	108951	1	108971	1	108971	1
4.	Screw	000861	3	000861	3	000861	3	000861	3
5.	Replacement Glass Panel with Gasket	064099	1	064099	1	064101	1	064101	1
6.	Door Switch	094468	1	094468	1	094468	1	094468	1
7.	Pan Burner Assembly	128281	1	128281	1	128661	1	128661	1
8.	Log Grate	126461	1	126461	1	128831	1	128831	1
9.	Log Set (Split, Complete)	904555	1	904555	1	904556	1	904556	1
a.	Log, Rear Right	903923	1	903923	1	904563	1	904563	1
b.	Log, Rear	903921	1	903921	1	904561	1	904561	1
c.	Log, Front	903922	1	903922	1	904562	1	904562	1
d.	Log, Front Right	903924	1	903924	1	904564	1	904564	1
10.	Venturi Tube	097506	1	097506	1	097506	1	097506	1
11.	Gasket	900272	1	900272	1	900272	1	900272	1
12.	Bag of Rockwool/Ember Coals	125013	1	125013	1	125013	1	125013	1
13.	Refractory Liner, Rear	903502	1	903502	1	903499	1	903499	1
	Refractory Liner, Side Panel	903500	2	903500	2	903497	2	903497	2

GAS CONTROLS — MILLIVOLT

No.	DESCRIPTION	CF5500-CMN CF6500-CMN		CF5500-CMP CF6500-CMP	
		Part No.	Qty.	Part No.	Qty.
20.	Gas Valve - SIT	901916	1	901917	1
	Gas Valve - Honeywell	67L0101	1	67L0201	1
21.	Piezo Igniter	111061	1	111061	1
22.	Orifice/CF5500	903461	1	901694	1
	Orifice/CF6500	903883	1	901699	1
23.	Pilot Assembly (ODS)	901914	1	901915	1
24.	Regulator	903218	1	112081	1

REPLACEMENT PARTS



NOTE: DIAGRAMS & ILLUSTRATION NOT TO SCALE.

Catalytic Gas Fireplace Manufacturer's Limited Warranty 10 Years

THE WARRANTY

The manufacturer warrants the components of this Catalytic Gas Fireplace manufactured by SFC, INC. (hereinafter, SFC) to be free from defects in materials and workmanship at the time of manufacture.

REMEDY AND EXCLUSIONS

The coverage of this Warranty is limited to all components of the Catalytic Gas Fireplace manufactured by SFC. SFC warrants the components of this factory-built system manufactured by SFC to be free from defects in material and workmanship at the time of manufacture.

- 1) During the first five years of this warranty, SFC will, at its option and except for the components listed in subparagraphs (a) through (e) below provide replacement or repair components of the factory-built gas insert manufactured by SFC, at no charge, and will also pay for reasonable labor costs incurred in replacing or repairing such components. If repair or replacement is not commercially practicable, SFC will, at its option, refund the purchase price of the gas insert and chimney components and accessories. With respect to the components listed below, the remedies of this paragraph (1) are available only for the period of time indicated. Thereafter, however, until the expiration of 10 years from the date of installation, SFC will provide replacement parts at no charge but will not pay any labor costs. All replacement parts will be shipped F.O.B. factory.
 - (a) Gas logs, ember coals, brass-tone finishes, paint and fiber ceramic simulated brick side panels are not warranted with the exception of defects in material or workmanship.
 - (b) Unvented Gas Room Heater electrical components, such as fan motors and blowers, electrical cord and electrical switches – one year from the date of installation.
 - (c) Gas components, such as gas valves, pilot assembly, igniter, micro door switch and CO Sensor kit – one year from the date of installation.
 - (d) Tempered glass – one year from the date of installation.
 - (e) Catalyst assembly – 2 years parts and labor, 3-5th. year, parts only from the date of installation.

This warranty covers only parts and labor as provided above. In no case shall SFC be responsible for materials, components, or construction which are not manufactured or supplied by SFC, or for the labor necessary to install, repair or remove such materials, components or construction.

QUALIFICATIONS TO THE WARRANTY

The Unvented Gas Room Heater Warranty outlined above is further subject to the following qualifications:

- (1) The Unvented Gas Room Heater must be installed in accordance with SFC installation instructions and local building codes. The Warranty on this Unvented Gas Room Heater covers only the component parts manufactured by SFC. The use of components manufactured by others with this Unvented Gas Room Heater (except for a listed venting system as prescribed in the installation instructions) could create serious safety hazards, may result in the denial of certification by recognized national safety agencies, and could be in violation of local building codes. This Warranty does not cover any damages occurring from the use of any components not manufactured or supplied by SFC.
- (2) The Unvented Gas Room Heater must be subjected to normal use. The gas inserts are designed to burn either natural or propane gas only. Burning conventional fireplace fuels such as wood, coal, or any other solid fuel will cause damage to the gas insert, will produce excessive temperatures and will result in a fire hazard.

LIMITATION ON LIABILITY

It is expressly agreed and understood that SFC sole obligation and purchaser's exclusive remedy under this warranty, under any other warranty, expressed or implied, or in contract, tort or otherwise, shall be limited to replacement, repair, or refund, as specified above.

In no event shall SFC be responsible for any incidental or consequential damages caused by defects in its products, whether such damage occurs or is discovered before or after replacement or repair, and whether or not such damage is caused by SFC's negligence. Some states do not allow the exclusion or limitation of incidental or consequential damages, so the above limitation or exclusion may not apply to you. The duration of any implied warranty with respect to this Superior gas insert is limited to the duration of the foregoing warranty. Some states do not allow limitations on how long an implied warranty lasts, so the above may not apply to you.

INVESTIGATION OF CLAIMS AGAINST WARRANTY

SFC reserves the right to investigate any and all claims against this Warranty and to decide upon method of settlement.

SUPERIOR FIREPLACE COMPANY NOT RESPONSIBLE FOR WORK DONE WITHOUT WRITTEN CONSENT

SFC shall in no event be responsible for any warranty work done without first obtaining SFC's written consent.

DEALERS HAVE NO AUTHORITY TO ALTER THIS WARRANTY

SFC employees and dealers have no authority to make any warranties nor to authorize any remedies in addition to or inconsistent with those stated above.

HOW TO REGISTER A CLAIM AGAINST WARRANTY

In order for any claim under this Warranty to be valid, SFC must be notified of the claimed defect in writing to SFC, attention Customer Service Department, 1110 West Taft Avenue, Orange, California 92865, as soon as reasonably possible after the defect is discovered. Claims against this Warranty in writing should include the date of installation, and a description of the defect.

OTHER RIGHTS

This Warranty gives you specific legal rights, and you may also have other rights which vary from state to state.

The manufacturer reserves the right to make changes at any time, without notice, in design, materials, specifications, prices and also to discontinue colors, styles and products. Consult your local distributor for fireplace code information.