



# INSTALLATION INSTRUCTIONS

## DIRECT VENT DT-400 & DR-400

RETAIN THESE INSTRUCTIONS  
FOR FUTURE REFERENCE

VENTED GAS FIREPLACE HEATERS - DIRECT VENT MODELS  
P/N 700,020M REV. M 11/2004

### MODELS

This appliance may be installed in an aftermarket permanently located, manufactured home (USA only) or mobile home, where not prohibited by local codes. This appliance is only for use with the type of gas indicated on the rating plate. This appliance is not convertible for use with other gases, unless a certified kit is used.

<i>Millivolt Models</i>	<i>Electronic Models</i>
DT-400CMN	DT-400CEN
DT-400CMP	DT-400CEP
DR-400CMN	DR-400CEN
DR-400CMP	DR-400CEP

**WARNING: IF THE INFORMATION IN THIS MANUAL IS NOT FOLLOWED EXACTLY, A FIRE OR EXPLOSION MAY RESULT CAUSING PROPERTY DAMAGE, PERSONAL INJURY OR LOSS OF LIFE.**

**FOR YOUR SAFETY:** Do not store or use gasoline or other flammable vapors or liquids in the vicinity of this or any other appliance.

**FOR YOUR SAFETY:** What to do if you smell gas:

- DO NOT light any appliance.
- DO NOT touch any electrical switches.
- DO NOT use any phone in your building.
- Immediately call your gas supplier from a neighbor's phone. Follow your gas suppliers instructions.
- If your gas supplier cannot be reached, call the fire department.

Installation and service must be performed by a qualified installer, service agency or the gas supplier.

**AVERTISSEMENT: ASSUREZ-VOUS DE BIEN SUIVRE LES INSTRUCTIONS DONNÉ DANS CETTE NOTICE POUR RÉDUIRE AU MINIMUM LE RISQUE D'INCENDIE OU POUR ÉVITER TOUT DOMMAGE MATÉRIEL, TOUTE BLESSURE OU LA MORT.**

**POUR VOTRE SÉCURITÉ:** Ne pas entreposer ni utiliser d'essence ni d'autre vapeurs ou liquides inflammables dans le voisinage de cet appareil ou de tout autre appareil.

**POUR VOTRE SÉCURITÉ:** Que faire si vous sentez une odeur de gaz:

- Ne pas tenter d'allumer d'appareil.
- Ne touchez à aucun interrupteur. Ne pas vous servir des téléphones se trouvant dans le bâtiment où vous vous trouvez.
- Evacuez la pièce, le bâtiment ou la zone.
- Appelez immédiatement votre fournisseur de gaz depuis un voisin. Suivez les instructions du fournisseur.
- Si vous ne pouvez rejoindre le fournisseur de gaz, appelez le service des incendies.

L'installation et service doit être exécuté par un qualifié installateur, agence de service ou le fournisseur de gaz.



OMNI-Test Laboratories, Inc.

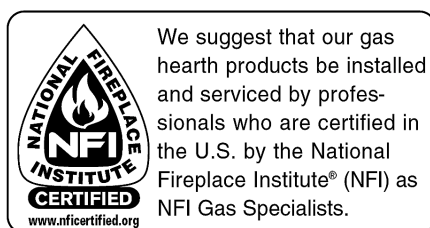
OTL Report No. 116-F-17-4

## TABLE OF CONTENTS

Packaging .....	page 2
Introduction .....	page 2
General Information .....	page 2
Location .....	page 4
Appliance and Vent Clearances .....	page 4
Vent Termination Clearances .....	page 5
Typical Installation Sequence .....	page 5
Detailed Installation Steps .....	page 5
Step 1. Framing .....	page 5
Step 2. Routing Gas Line .....	page 5
Fireplace Specifications .....	page 8
Step 3. Install the Venting System .	page 8
Vertical Termination Systems .....	page 9
Vent Section Length Chart .....	page 9
Vertical Vent Tables and Figures .....	page 12
Horizontal Termination System .....	page 14
Horizontal Vent Tables and Figures .	page 16
Venting Using Flexible Vent Pipe .....	page 19
Step 4. Field Wiring .....	page 20
Step 5. Optional Blower Kit Wiring	page 20
Step 6. Connecting Gas Line .....	page 21
Step 7. Installing Logs .....	page 22
Step 8. Checking Unit Operation .....	page 22
Step 9. Installing Glass Door .....	page 22
Step 10. Burner Adjustments .....	page 23
Step 11. Hood Installation .....	page 23
Finishing Requirements .....	page 23
Cold Climate Insulation .....	page 24
Installation Accessories .....	page 24
<b>Gas Conversion Kits .....</b>	<b>page 26</b>

This installation manual will help you obtain a safe, efficient, dependable installation for your appliance and vent system.

**Please read and understand these instructions before beginning your installation.**



## PACKAGING

The assembled vented gas fireplace heater is packaged with:

- 1 - one log set shrink-wrapped to the inside surface of the front glass enclosure panel.
- 2 - one plastic bag containing the literature package which consists of the homeowner's care and operation instructions, installation instructions and warranty; plastic bag located in the control area.
- 3 - one vent restrictor for use in top vent applications; restrictor is taped to the inside of the cabinet bottom.
- 4 - one hood wrapped in plastic taped to the front of the top unit standoffs.
- 5 - one bag of glowing embers located in the control area.

## INTRODUCTION

These vented gas fireplace heaters are sealed combustion, air circulating gas fireplaces designed for residential applications. These appliances must be installed with the **Secure Vent™** and/or **Secure Flex™** vent systems routed to the outside atmosphere.

Millivolt appliances are designed to operate on natural or propane gas. A millivolt gas control valve with piezo ignition system provides safe, efficient operation. External electrical power is required to operate the optional blower if installed in these units.

Electronic appliances are designed to operate on natural or propane gas. An electronic intermittent pilot ignition system provides safe, efficient operation. External electrical power is required to operate these units.

**These millivolt and electronic versions of these appliances are listed by Omni Test Laboratories for installation in bedrooms and mobile homes.**

Installation must conform to local codes. In the absence of local codes, installation must comply with the current National Fuel Gas Code, ANSI Z223.1. (In Canada, the current CAN-1 B149 installation code.) Electrical wiring must comply with the National Electrical Code ANSI/NFPA 70 - (latest edition). (In Canada, the current CSA C22-1 Canadian Electrical Code.)

**DO NOT ATTEMPT TO ALTER OR MODIFY THE CONSTRUCTION OF THE APPLIANCE OR ITS COMPONENTS. ANY MODIFICATION OR ALTERATION MAY VOID THE WARRANTY, CERTIFICATION AND LISTINGS OF THIS UNIT.**

## GENERAL INFORMATION

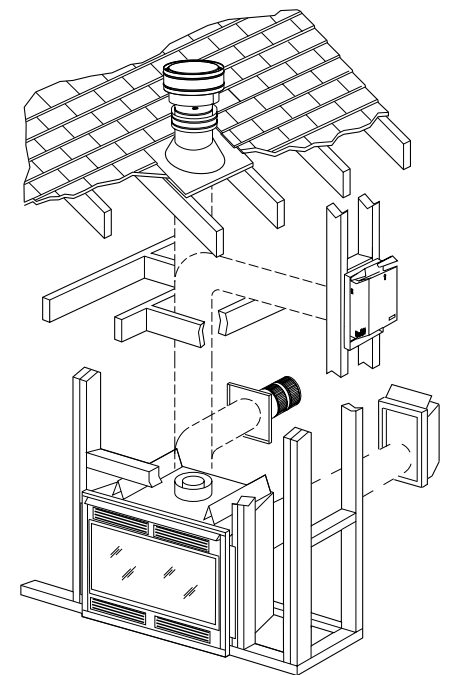
**Note:** Installation and repair should be performed by a qualified service person. The appliance should be inspected annually by a qualified professional service technician. More frequent inspections and cleanings may be required due to excessive lint from carpeting, bedding material, etc. It is imperative that the control compartment, burners and circulating air passage ways of the appliance be kept clean.

*S'assurer que le brûleur et le compartiment des commandes sont propres. Voir les instructions d'installation et d'utilisation qui accompagnent l'appareil.*

Provide adequate clearances around air openings and adequate accessibility clearance for service and proper operation. Never obstruct the front openings of the appliance.

**These appliances are designed to operate on natural or propane gas only.**

## TYPICAL INSTALLATION



**Figure 1**

### Millivolt Models -

Millivolt models come standard with the manually-modulated gas valve; flame appearance and heat output can be controlled at the gas valve. Input of millivolt models is shown in the following table:

Millivolt Models with Manually-Modulated Gas Valve	
Natural and Propane Gas	
Model Numbers	Input rate (BTU/H)
DT-400 DR-400	13,500 to 17,500

### Electronic Models -

Electronic models have a fixed rate gas valve. Input of electronic models is shown in the following table:

Electronic Models with Fixed-Rate Gas Valve	
Natural and Propane Gas	
Model Numbers	Input rate (BTU/H)
DT-400 DR-400	17,500

### All Models -

Maximum manifold pressure is 3.5 in. w.c. (0.87 kPa) for natural gas and 10 in. w.c. (2.49 kPa) for LP/Propane gas.

**Installations at Altitudes of 0 to 4500 ft.-**  
Units are tested and approved for elevations of 0 to 4500 feet (0 to 1372 meters).

**Installations at Altitudes above 4500 ft.-**  
For elevations above 4500 feet (1372 meters), install the unit according to the regulations of the local authorities having jurisdiction and, in the USA, the latest edition of the National Fuel Gas Code (ANSI Z223.1) or, in Canada, the latest edition of the CAN1-B149.1 and .2 codes.

**Table 1** shows the units' gas orifice size for the elevations indicated.

Model No.	Orifice size	
	Natural	Propane
DT-400	#45	0.048 inch
DR-400		

**Table 1**

The millivolt appliances are manually controlled and feature a spark ignitor (piezo) that allows the appliance's pilot gas to be lit without the use of matches or batteries. This system provides continued service in the event of a power outage.

Do not use these appliances if any part has been under water. Immediately call a qualified, professional service technician to inspect the appliance and to replace any parts of the control system and any gas control which have been under water.

Ne pas se servir de cet appareil s'il a été plongé dans l'eau, complètement ou en partie. Appeler un technicien qualifié pour inspecter l'appareil et remplacer toute partie du système de contrôle et toute commande qui ont été plongés dans l'eau.

**This appliance may be installed in an aftermarket permanently located, manufactured home (USA only) or mobile home, where not prohibited by local codes. This appliance is only for use with the type of gas indicated on the rating plate. This appliance is not convertible for use with other gases, unless a certified kit is used.**

**Cet appareil peut être installé dans un maison préfabriquée (É.-U. seulement) ou mobile déjà installée à demeure si les règlements locaux le permettent. Cet appareil doit être utilisé uniquement avec les types de gaz indiqués sur la plaque signalétique. Ne pas l'utiliser avec d'autres gaz sauf si un kit de conversion certifié est installé.**

Test gage connections are provided on the front of the millivolt gas control valve (identified IN for the inlet and OUT for the manifold side). A 1/8" NPT test gage connection is provided at the inlet and outlet side of the electronic gas control valve.

Minimum inlet gas pressure to these appliances is 5.0 inches water column (1.24 kPa) for natural gas and 11 inches water column (2.74 kPa) for propane for the purpose of input adjustment.

Maximum inlet gas supply pressure to these appliances is 10.5 inches water column (2.61 kPa) for natural gas and 13.0 inches water column (3.23 kPa) for propane.

These appliances must be isolated from the gas supply piping system (by closing their individual manual shut-off valve) during any pressure testing of the gas supply piping system at test pressures equal to or less than 1/2 psig (3.5 kPa).

These appliances and their individual shut-off valves must be disconnected from the gas supply piping system during any pressure testing of that system at pressures in excess of 1/2 psig (3.5 kPa).

**These appliances must not be connected to a chimney or flue serving a separate solid fuel burning appliance.**

**Carbon Monoxide Poisoning: Early signs of carbon monoxide poisoning are similar to the flu with headaches, dizziness and/or nausea. If you have these signs, obtain fresh air immediately. Turn off the gas supply to the appliance and have it serviced by a qualified professional, as it may not be operating correctly.**

**WARNING: FAILURE TO COMPLY WITH THE INSTALLATION AND OPERATING INSTRUCTIONS PROVIDED IN THIS DOCUMENT WILL RESULT IN AN IMPROPERLY INSTALLED AND OPERATING APPLIANCE, VOIDING ITS WARRANTY. ANY CHANGE TO THIS APPLIANCE AND/OR ITS OPERATING CONTROLS IS DANGEROUS. IMPROPER INSTALLATION OR USE OF THIS APPLIANCE CAN CAUSE SERIOUS INJURY OR DEATH FROM FIRE, BURNS, EXPLOSION OR CARBON MONOXIDE POISONING.**

**WARNING: CHILDREN AND ADULTS SHOULD BE ALERTED TO THE HAZARDS OF HIGH SURFACE TEMPERATURES. USE CAUTION AROUND THE APPLIANCE TO AVOID BURNS OR CLOTHING IGNITION. YOUNG CHILDREN SHOULD BE CAREFULLY SUPERVISED WHEN THEY ARE IN THE SAME ROOM AS THE APPLIANCE.**

**WARNING: DO NOT PLACE CLOTHING OR OTHER FLAMMABLE MATERIALS ON OR NEAR THIS APPLIANCE.**

**AVERTISSEMENT: SURVEILLER LES ENFANTS. GARDER LES VÊTEMENTS, LES MEUBLES, L'ESSENCE OU AUTRES LIQUIDES À VAPEUR INFLAMMABLES À CÔTÉ DE L'APPAREIL.**

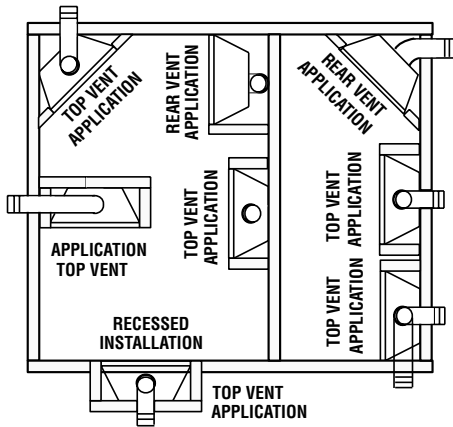
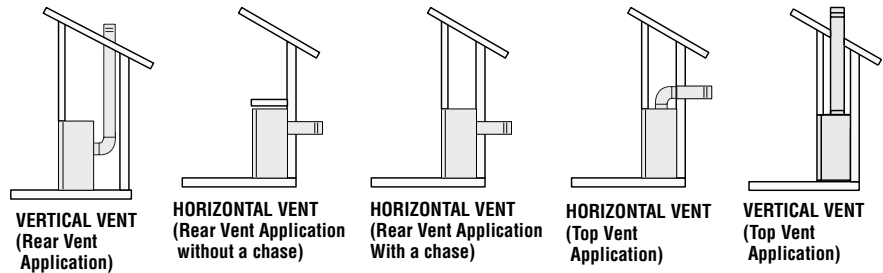


Figure 2



Typical Locations

### LOCATION

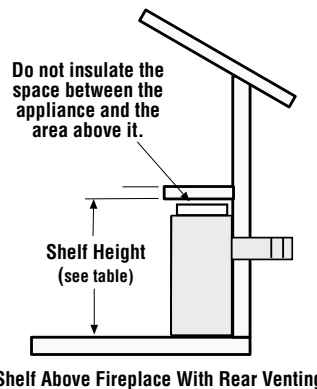
In selecting the location, the aesthetic and functional use of the appliance are primary concerns. However, vent system routing to the exterior and access to the fuel supply are also important. Consideration should be given to traffic ways, furniture, draperies, etc., due to elevated surface temperatures (*Figure 2*). The location should also be free of electrical, plumbing or other heating/air conditioning ducting.

These direct vent appliances are uniquely suited for installations requiring a utility shelf positioned directly above the fireplace. Utility shelves like these are commonly used for locating television sets and decorative plants.

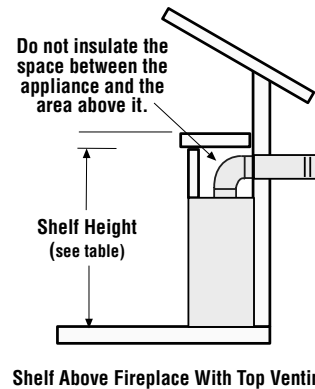
To provide for the lowest possible shelf surface use the alternate rear vent outlet with attached venting routed in a way to minimize obstructions to the use of the space above the appliance. **Do not insulate the space between the appliance and the area above it. See Figure 3.** The minimum height from the base of the appliance to the underside of combustible materials used to construct a utility shelf in this fashion is shown in the table in *Figure 3*.

The appliance should be mounted on a fully supported base extending the full width and depth of the unit. The appliance may be located on or near conventional construction materials. However, if installed on combustible materials, such as carpeting, vinyl tile, etc., a metal or wood barrier covering the entire bottom surface must be used.

Model No.	Shelf Height inches (mm)			
	Top Vent - with One 90 Degree Elbow		Rear Vent - Straight Out the Back	
	Secure Vent	Secure Flex	Secure Vent	Secure Flex
DT-400	44 1/8 (1121)	45 7/8 (1165)	N/A	N/A
DR-400	N/A	N/A	33 1/4 (845)	33 1/4 (845)



Shelf Above Fireplace With Rear Venting



Shelf Above Fireplace With Top Venting

Figure 3

### APPLIANCE AND VENT CLEARANCES

The appliance is approved with zero clearance to combustible materials on all sides (as detailed in *Table 2*), with the following exception: When the unit is installed with one side flush with a wall, the wall on the other side of the unit must not extend beyond the front edge of the unit. In addition, when the unit is recessed, the side walls surrounding the unit must not extend beyond the front edge of the unit. See *Figure 2*.

BACK	1/2 in. (13 mm) 0 in. (0 mm) spacers
SIDES	1/2 in. (13 mm) 0 in. (0 mm) spacers
TOP SPACERS	0 in. (0 mm)
FLOOR	0 in. (0 mm)
From Bottom of Unit to Ceiling	64 in. (1626 mm)
VENT	1 in. (25.4 mm)*
SERVICE CLEARANCES	
FRONT	3 Feet. (0.9 meters)

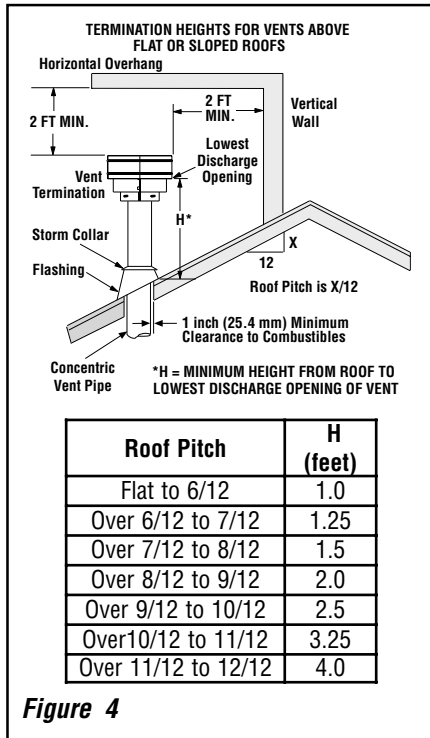
NOTE: DIAGRAMS & ILLUSTRATIONS NOT TO SCALE.

## VENT TERMINATION CLEARANCES

These instructions should be used as a guideline and do not supersede local codes in any way. Install vent according to local codes, these instructions, the current National Fuel Gas Code (ANSI-Z223.1) in the USA or the current standards of CAN/CGA-B149.1 and -B149.2 in Canada.

### Vertical Vent Termination Clearances

Terminate single vent caps relative to building components according to *Figure 4*.



Terminate multiple vent terminations according to the installation codes listed at the top of this page.

### Horizontal Vent Termination Clearances

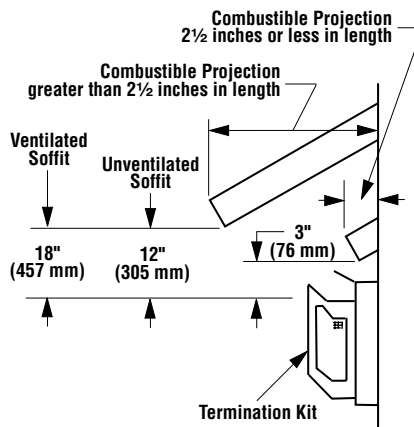
The horizontal vent termination must have a minimum of 3" (76 mm) clearance to any overhead combustible projection of 2 1/2" (64 mm) or less. See *Figure 5*. For projections exceeding 2 1/2" (64 mm), see *Figure 5*. For additional vent location restrictions refer to *Figure 7 on page 6*.

### TYPICAL INSTALLATION SEQUENCE

The typical sequence of installation follows, however, each installation is unique resulting in variations to those described. See the page numbers references in the following steps for detailed procedures.

**Step 1.** (page 5) Construct the appliance framing. Position the appliance within the framing and secure with nailing brackets.

### Horizontal Vent Termination Clearances



See *Figure 31 or 32* for the recess allowances, into exterior walls, of the round and square horizontal terminations.

*Figure 5 - Side Elevation View*

- Step 2.** (page 5) Route gas supply line to appliance location.
- Step 3.** (page 8) Install the vent system and exterior termination.
- Step 4.** (page 20) Field Wiring  
Millivolt Appliances – The operating control switch is factory installed.
- Step 5.** (page 20) Install blower kit (optional equipment).
- Step 6.** (page 21) Make connection to gas supply.
- Step 7.** (page 22) Install the logs, vermiculite and glowing embers.
- Step 8.** (page 22) Checkout appliance operation.
- Step 9.** (page 22) Install glass door frame assembly.
- Step 10.** (page 23) Adjust burner to ensure proper flame appearance.
- Step 11.** (page 23) Install the hoods.

### DETAILED INSTALLATION STEPS

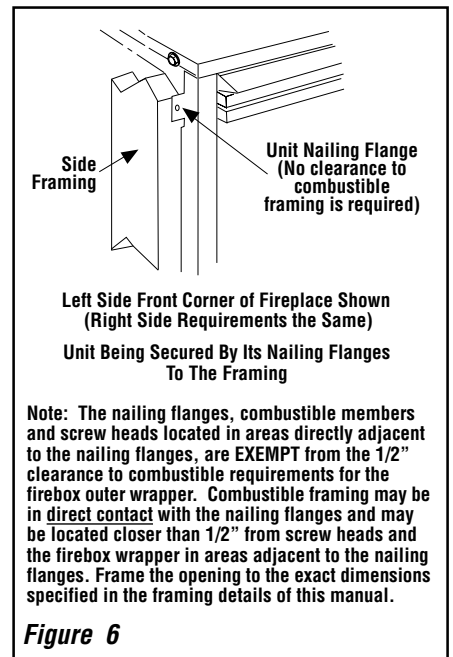
The appliance is shipped with all gas controls and components installed and pre-wired. Remove the shipping carton, exposing the front glass door. Remove the top panel. **Remove the cardboard from underneath the pressure relief plates.** Gently depress the outer top corners of the access panel until the catches "pop" the panel free, allowing it to swing out and down to open. Open the two latches (located under the firebox floor) securing the glass door. Remove the door by tilting it outward at the bottom and lifting it up. Set the door aside protecting it from inadvertent damage. See *Figure 50 on page 21*. **Remove the two cardboard pad strips from between the firebox subfloor and the firebox sides.**

NOTE: DIAGRAMS & ILLUSTRATIONS NOT TO SCALE.

### Step 1. FRAMING

Frame these appliances as illustrated in *Figures 8 on page 7*, unless the appliance is to be installed in a corner. See *Figure 9 on page 7* for corner framing installations. All framing details must allow for a minimum clearance to combustible framing members as shown in *Table 2 on page 4*.

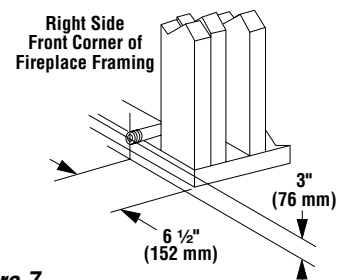
If the appliance is to be elevated above floor level, a solid continuous platform must be constructed. Headers may be in direct contact with the appliance top spacers but must not be supported by them or notched to fit around them. All construction above the appliance must be self supporting, **DO NOT** use the appliance for structural support. The fireplace should be secured to the side framing members using the unit's nailing flanges - one top and bottom on each side of the fireplace front. See *Figure 6*. Use 8d nails or their equivalent.



### Step 2. ROUTING GAS LINE

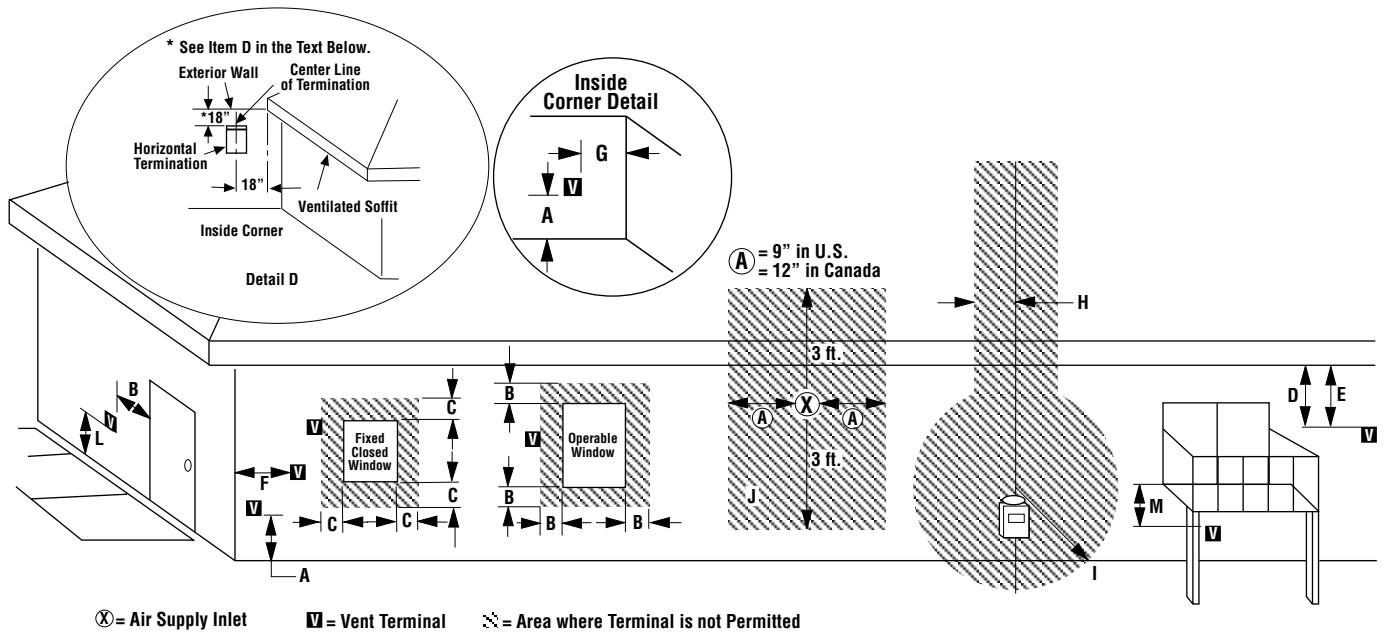
Route a 1/2" (13 mm) gas line along the inside of the right side framing as shown in *Figure 7*. Gas lines must be routed, constructed and made of materials that are in strict accordance with local codes and regulations.

All appliances are factory-equipped with a flexible gas line connector and 1/2 inch shutoff valve. (See *step 6 on page 20*).



*Figure 7*

## EXTERIOR HORIZONTAL VENT TERMINATION CLEARANCE REQUIREMENTS



	Canadian Installation*	US Installation**
<b>A</b> = Clearance above grade, veranda, porch, deck, or balcony.	12 inches (30cm)*	12 inches (30cm)**
<b>B</b> = Clearance to window or door that may be opened.	6 in (15cm) for appliances < 10,000 Btuh (3kW), 12 in (30cm) for appliances > 10,000 Btuh (3kW) and < 100,000 Btuh (30kW), 36 inches (91cm) for appliances > 100,000 Btuh (30kW)*	6 in (15cm) for appliances < 10,000 Btuh (3kW), 9 in (23cm) for appliances > 10,000 Btuh (3kW) and < 50,000 Btuh (15kW), 12 inches (30cm) for appliances > 50,000 Btuh (15kW)**
<b>C</b> = Clearance to permanently closed window	12" (305mm) recommended to prevent window condensation	9" (229mm) recommended to prevent window condensation
<b>D</b> = Vertical clearance to ventilated soffit located above the terminal within a horizontal distance of 18 inches (458mm) from the center line of the terminal	18" (458mm)	18" (458mm)
<b>E</b> = Clearance to unventilated soffit	12" (305mm)	12" (305mm)
<b>F</b> = Clearance to outside corner	5" (12.7cm) minimum	5" (12.7cm) minimum
<b>G</b> = Clearance to inside corner	6" (15.2cm) minimum	6" (15.2cm) minimum
<b>H</b> = Clearance to each inside of center line extended above meter/regulator assembly	3 feet (91cm) within a height of 15 feet above the meter/regulator assembly*	3 feet (91cm) within a height of 15 feet above the meter/regulator assembly**
<b>I</b> = Clearance to service regulator vent outlet	3 feet (91cm)*	3 feet (91cm)**
<b>J</b> = Clearance to nonmechanical air supply inlet to building or the combustion air inlet to any other appliance	6 in (15cm) for appliances < 10,000 Btuh (3kW), 12 in (30cm) for appliances > 10,000 Btuh (3kW) and < 100,000 Btuh (30kW), 36 inches (91cm) for appliances > 100,000 Btuh (30kW)*	6 in (15cm) for appliances < 10,000 Btuh (3kW), 9 in (23cm) for appliances > 10,000 Btuh (3kW) and < 50,000 Btuh (15kW), 12 inches (30cm) for appliances > 50,000 Btuh (15kW)**
<b>K</b> = Clearance to a mechanical air supply inlet	6 feet (1.83m)*	3 feet (91cm) above if within 10 feet (3m) horizontally**
<b>L</b> = Clearance above paved sidewalk or paved driveway located on public property	7 feet (2.13m)‡	7 feet (2.13m)‡
<b>M</b> = Clearance under veranda, porch, deck or balcony	12 inches (30cm)*‡	12 inches (30cm)‡

\* In accordance with the current CSA-B149.1 National Gas And Propane Installation Code.

\*\* In accordance with the current ANSI S2223.1/NFPA 54 National Fuel Gas Codes.

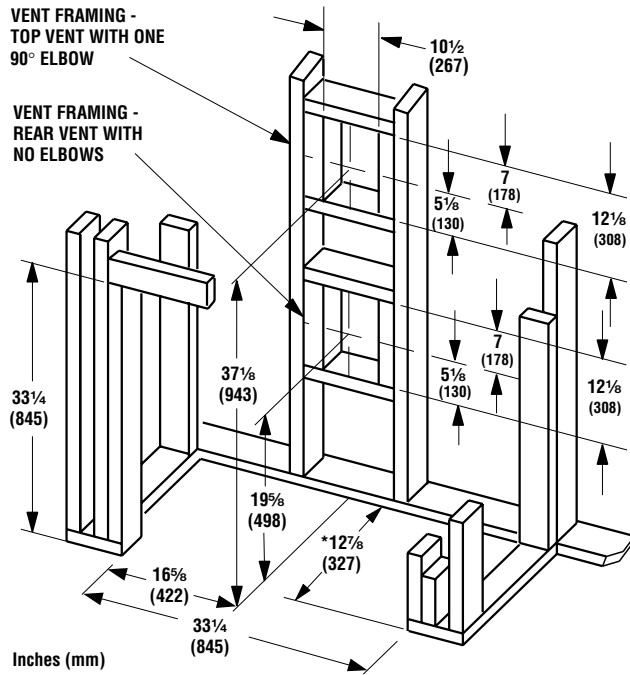
‡ A vent shall not terminate directly above a sidewalk or paved driveway which is located between two single family dwellings and serves both dwellings.

\*‡ Only permitted if veranda, porch, deck or balcony is fully open on a minimum 2 sides beneath the floor:

Figure 8

# FIREPLACE FRAMING SPECIFICATIONS

## \*\*FRAMING WITH SQUARE HORIZONTAL TERMINATIONS (SV4.5HTSSL, SV4.5HTSS or SV4.5HTS) AND ROUND HORIZONTAL TERMINATION (SV4.5HTR)



Framing should be constructed of 2x4 or larger lumber.

\*12 5/8 inches (327 mm) is the required framing depth dimension when the finish material (drywall) thickness is 1/2 in. (13mm).

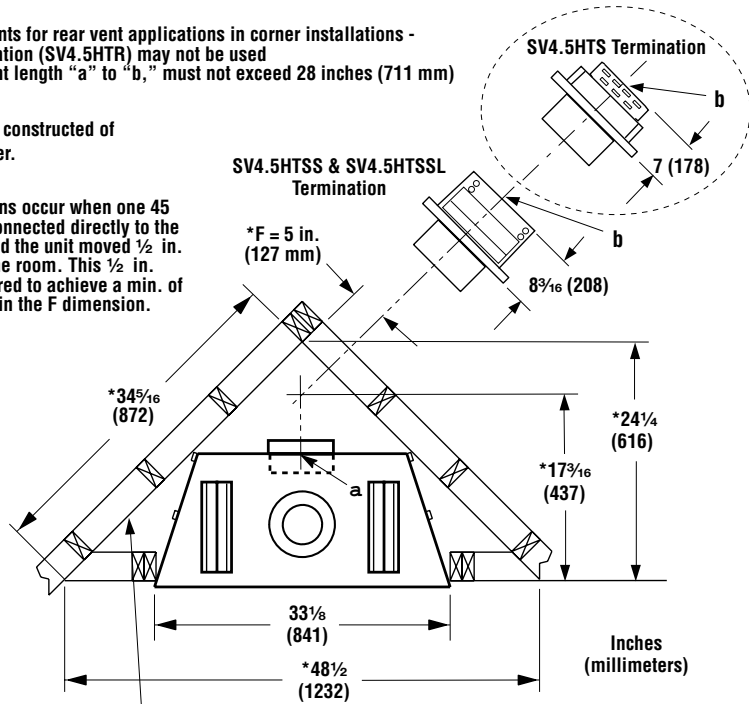
\*\* See the horizontal venting Figures 35 and 36 on page 16 for restrictions on the use of the round termination (SV4.5HTR)

Figure 9

Note-  
Venting requirements for rear vent applications in corner installations -  
- the round termination (SV4.5HTR) may not be used  
- the horizontal vent length "a" to "b," must not exceed 28 inches (711 mm)

Framing should be constructed of 2x4 or larger lumber.

\*These dimensions occur when one 45 degree elbow is connected directly to the appliance collar and the unit moved 1/2 in. (13 mm) into the room. This 1/2 in. movement is required to achieve a min. of 5 in (127 mm) in the F dimension.



Back wall of chase/enclosure (including any finishing materials)

## CORNER FRAMING WITH SQUARE HORIZONTAL TERMINATIONS (SV4.5HTSSL, SV4.5HTSS or SV4.5HTS)

Figure 10

# FIREPLACE SPECIFICATIONS

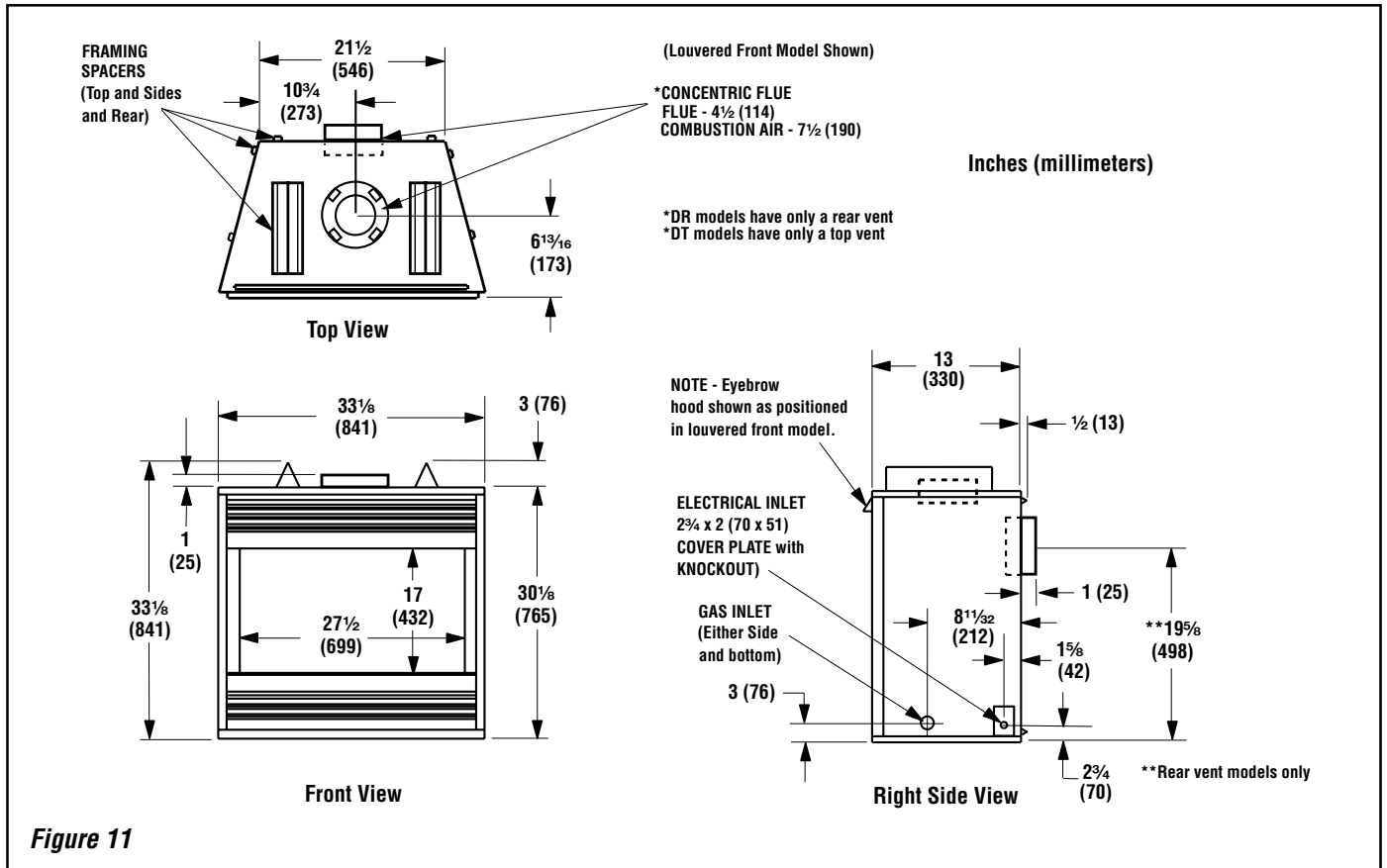


Figure 11

## Step 3. INSTALL THE VENT SYSTEM

### General Information

These instructions should be used as a guideline and do not supersede local codes in any way. Install vent according to local codes, these instructions, the current National Fuel Gas Code (ANSI-Z223.1) in the USA or the current standards of CAN/CGA-B149.1 and -B149.2 in Canada.

These fireplaces are designed, tested and listed for operation and installation with, and only with, Secure Vent™ (SV 4.5) Direct Vent System Components, Secure Flex™ Flexible Vent Components manufactured by Security Chimneys International. These approved vent system components are labeled for identification.

**DO NOT use any other manufacturer's vent components with these appliances. These fireplaces must be vented directly to the outside.**

The vent system may not service multiple appliances, and must never be connected to a flue serving a solid fuel burning appliance. The vent pipe is tested to be run inside an enclosing wall (such as a chase). There is no requirement for inspection openings in the enclosing wall at any of the joints in the vent pipe.

### Preparing the Appliance Top Vent Outlet in All Venting Applications Using the Appliance Top Vent Outlet

A vent restrictor may be needed with this appliance. Install the vent restrictor (provided) in the appliance top flue outlet as shown in Figure 12. It is held in place by friction, only.

### VENT RESTRICTOR INSTALLATION (TOP VENT)

In all venting applications using the top vent of the appliance, a vent restrictor may be needed. Install the vent restrictor in the top vent of the appliance outlet.

If needed, install the restrictor orientated as shown, either from inside or outside the unit, in the inner fireplace collar.

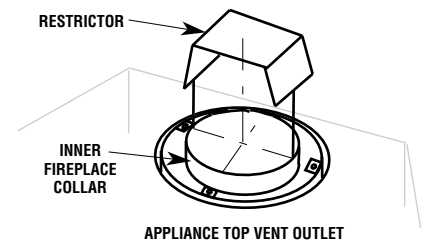


Figure 12



**Select Venting System - Horizontal or Vertical**

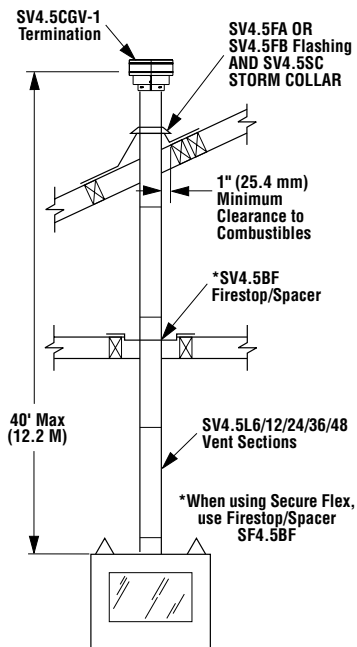
With the appliance secured in framing, determine vent routing and identify the exterior termination location. The following sections describe vertical (roof) and horizontal (exterior wall) vent applications. Refer to the section relating to your installation. **A list of approved venting components is shown in the tables on pages 24 and 25.**

**VERTICAL TERMINATION SYSTEMS (ROOF)**

**Figures 13, and Figures 23 through 27 on pages 12 to 13** and their associated Vertical Vent Tables illustrate the various vertical venting configurations that are possible for use with these appliances. **Secure Vent** pipe applications are shown in these figures; **Secure Flex** pipe may also be used. A Vertical Vent Table summarizes each system's minimum and maximum vertical and horizontal length values that can be used to design and install the vent components in a variety of applications. Both these vertical vent systems terminate through the roof. The minimum vent height above the roof and/or adjacent walls is specified in ANSI Z223.1-(latest edition) (In Canada, the current CAN-1 B149 installation code) by major building codes. Always consult your local codes for specific requirements. A general guide to follow is the Gas Vent Rule (refer to **Figure 4 on page 5**).

**Vertical (Straight) Installation**

Determine the number of straight vent sections required. 4 1/2" (114 mm), 10 1/2" (267 mm), 22 1/2" (572 mm), 34 1/2" (876 mm) and 46 1/2" (1181 mm) net section lengths are available. Plan the vent lengths so that a joint does not occur at the intersection of ceiling or roof joists. Refer to the Vent Section Length Chart.



**Figure 13**

VENT SECTION LENGTH CHART							T O T A L  Q U A N T I T Y
Nominal Section Length (inches)	6	12	24	36	48	Net Section Length (inches)	
Net Section Length (inches)	4-1/2	10-1/2	22-1/2	34-1/2	46-1/2		
Height of Vent		Number of Vent Sections					
inches	ft						
4.5	0.375	1	0	0	0	0	1
9	0.75	2	0	0	0	0	2
10.5	0.875	0	1	0	0	0	1
15	1.25	1	1	0	0	0	2
19.5	1.625	2	1	0	0	0	3
21	1.75	0	2	0	0	0	2
22.5	1.875	0	0	1	0	0	1
25.5	2.125	1	2	0	0	0	3
31.5	2.625	0	3	0	0	0	3
34.5	2.875	0	0	0	1	0	1
37.5	3.125	1	1	1	0	0	3
43.5	3.625	0	2	1	0	0	3
45	3.75	0	0	2	0	0	2
46.5	3.875	0	0	0	0	1	1
49.5	4.125	1	0	2	0	0	3
51	4.25	1	0	0	0	1	2
55.5	4.625	0	1	2	0	0	3
57	4.75	0	0	1	1	0	2
66	5.25	0	2	2	0	0	4
67.5	5.625	0	0	3	0	0	3
69	5.75	0	0	0	2	0	2
72	6	1	0	3	0	0	4
73.5	6.125	1	0	0	2	0	3
79.5	6.625	0	1	0	2	0	3
81	6.75	0	0	0	1	1	2
90	7.5	0	2	1	0	1	4
91.5	7.625	0	0	2	0	1	3
93	7.75	0	0	0	0	2	2
96	8	1	0	1	2	0	4
97.5	8.125	1	0	0	0	2	3
102	8.5	2	0	0	0	2	4
103.5	8.625	0	0	0	3	0	3
108	9	1	0	0	3	0	4
114	9.5	0	2	0	0	2	4
117	9.75	1	0	5	0	0	6
118.5	9.875	1	1	0	3	0	5
126	10.5	0	0	1	3	0	4
130.5	10.875	1	0	1	3	0	5
135	11.25	0	0	6	0	0	6
138	11.5	0	0	0	4	0	4
139.5	11.625	0	0	0	0	3	3
142.5	11.875	1	0	0	4	0	5

VENT SECTION LENGTH CHART							T O T A L  Q U A N T I T Y
Nominal Section Length (inches)	6	12	24	36	48	Net Section Length (inches)	
Net Section Length (inches)	4-1/2	10-1/2	22-1/2	34-1/2	46-1/2		
Height of Vent		Number of Vent Sections					
inches	ft						
144	12	1	0	0	0	3	4
150	12.5	0	1	0	0	3	4
154.5	12.875	1	1	0	0	3	5
160.5	13.375	0	2	0	0	3	5
172.5	14.375	0	0	0	5	0	5
177	14.75	1	0	0	5	0	6
183	15.25	0	1	0	5	0	6
186	15.5	0	0	0	0	4	4
190.5	15.875	1	0	0	0	4	5
196.5	16.375	0	1	0	0	4	5
205.5	17.125	0	1	1	5	0	7
207	17.25	0	0	0	6	0	6
211.5	17.625	1	0	0	6	0	7
217.5	18.125	0	1	0	6	0	7
229.5	19.125	0	0	1	6	0	7
232.5	19.375	0	0	0	0	5	5
237	19.75	1	0	0	0	5	6
241.5	20.125	0	0	0	7	0	7
246	20.5	1	0	0	7	0	8
252	21	0	1	0	7	0	8
264	22	0	0	1	7	0	8
276	23	0	0	0	8	0	8
279	23.25	0	0	0	0	6	6
280.5	23.375	1	0	0	8	0	9
283.5	23.625	1	0	0	0	6	7
289.5	24.125	0	1	0	0	6	7
301.5	25.125	0	0	1	0	6	7
310.5	25.875	0	0	0	9	0	9
315	26.5	1	0	0	9	0	10
325.5	27.125	0	0	0	0	7	7
330	27.5	1	0	0	0	7	8
336	28	0	1	0	0	7	8
345	28.75	0	0	0	10	0	10
349.5	29.125	1	0	0	10	0	11
372	31	0	0	0	0	8	8
376.5	31.375	1	0	0	0	8	9
379.5	31.625	0	0	0	11	0	11
418.5	34.875	0	0	0	0	9	9
423	35.25	1	0	0	0	9	10
465	38.75	0	0	0	0	10	10

NOTE: DIAGRAMS & ILLUSTRATIONS NOT TO SCALE.

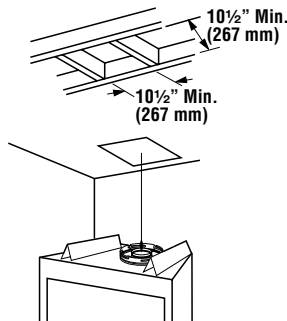
## Vertical (Offset) Installation

Analyze the vent routing and determine the quantities of vent sections and number of elbows required. Refer to **Vertical Vent Figures and Tables on page 12 and 13** to select the type of vertical installation desired. Vent sections are available in net lengths of 4 1/2" (114 mm), 10 1/2" (267 mm), 22 1/2" (572 mm), 34 1/2" (876 mm) and 46 1/2" (1181 mm). Refer to the **Vent Section Length Chart on page 9** for an aid in selecting length combinations. Elbows are available in 90° and 45° configurations. Refer to **Figure 18** for the SV4.5E45 and SV4.5E90 elbow dimensional specifications.

Where required, a **telescopic vent section (SV4.5LA)** may be used to provide the installer with an option in installing in tight and confined spaces or where the vent run made up of fixed length pieces develops a joint in a undesirable location, or will not build up to the required length. The SV4.5LA Telescopic Vent Section has an effective length of from 1 1/2" (38 mm) to 7 1/2" (191 mm). The SV4.5LA is fitted with a locking inclined channel end (identical to a normal vent section component) and a plain end with 3 pilot holes. Slip the plain end over the locking channel end of a standard SV4.5 vent component the required distance and secure with three screws.

**Maintain a minimum 1" (25 mm) clearance to combustible materials for all vertical elements. Clearances for all horizontal elements are 3" (76 mm) on top, 1" (25 mm) on sides and 1" (25 mm) on the bottom.**

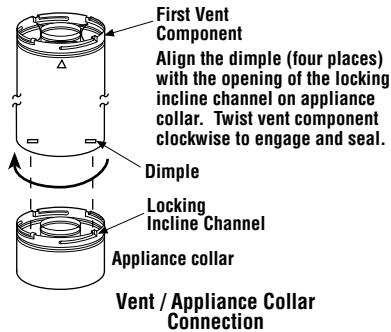
**A. Frame ceiling opening** - Use a plumb line from the ceiling above the appliance to locate center of the vertical run. Cut and/or frame an opening, 10 1/2" x 10 1/2" (267mm x 267mm) inside dimensions, about this center mark (**Figure 14**).



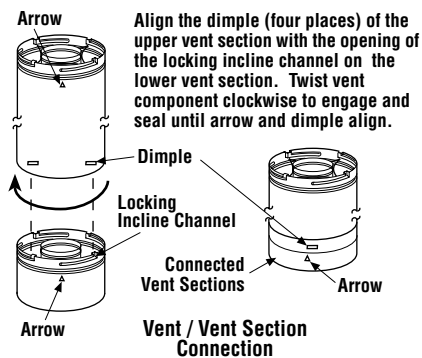
**Figure 14**

**B. Attach vent components to appliance** - **Secure Vent SV4.5** direct vent system components are unitized concentric pipe components featuring positive twist lock connections (see **Figure 15**).

All of the appliances covered in this document are fitted with collars having locking inclined channels. The dimpled end of the vent components fit over the appliance collar to create the positive twist lock connection.



**Figure 15**



**Figure 16**

To attach a vent component to the appliance collar, align the dimpled end over the collar, adjusting the radial alignment until the four locking dimples are aligned with the inlet of the four inclined channels on the collar (*refer to Figure 15*). Push the vent component against the collar until it fully engages, then twist the component clockwise, running the dimples down and along the incline channels until they seat at the end of the channels. The unitized design of the **Secure Vent** components will engage and seal both the inner and outer pipe without the need for sealant or screws. If desired, a #6 x 1/2" screw may be used at the joint, but is not required as the pipe will securely lock when twisted.

**Note:** An elbow may also be attached to the appliance collar. Attach in the same manner as you would a vent section.

**C. Attach vent components to each other** - Other vent sections may be added to the previously installed section in accordance with the requirements of the vertical vent figures and tables.

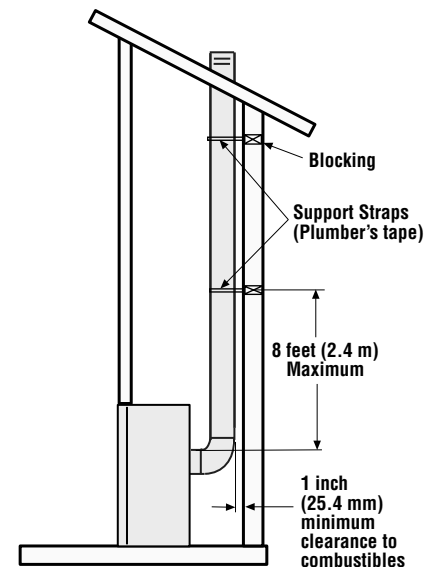
To add another vent component to a length of vent run, align the dimpled end over the inclined channel end of the previously installed section, adjusting the radial alignment until the four locking dimples are aligned with the inlets of the four incline channels of the previous section.

Push the vent component against the previous section until it fully engages, then twist the component clockwise running the dimples down and along the incline channels until they seat at the end of the channels. **This seating position is indicated by the alignment of the arrow and dimple as shown in Figure 16.**

**D. Install firestop/spacer at ceiling** - Use a SV4.5BF firestop/spacer at ceiling joists. If there is living space above the ceiling level, the firestop/spacer must be installed on the bottom side of the ceiling. If attic space is above the ceiling, the firestop/spacer must be installed on the top side of the joist. Route the vent sections through the framed opening and secure the firestop/spacer with 8d nails or other appropriate fasteners at each corner. **Remember to maintain 1" (25 mm) clearance to combustibles, framing members, and attic or ceiling insulation when running vertical chimney sections.**

**E. Support the vertical vent run sections** - **Note** - Proper venting support is very important. The weight of the vent must not be supported by the fireplace in any degree.

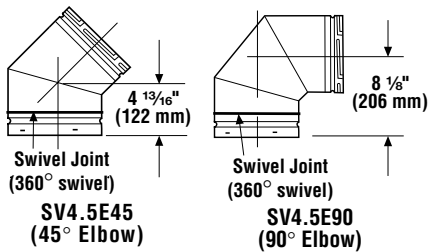
Support the vertical portion of the venting system every 8 feet (2.4m) above the fireplace vent outlet. One method of support is by utilizing field provided support straps (conventional plumber's tape). Secure the plumber's tape to the framing members with nails or screws.



**Figure 17**

Loop the tape around the vent, securing the ends of the tape to the framing. If desired, sheet metal screws #6 x 1/2" length may be used to secure the support straps to the vent pipe. Refer to **Figure 17**.

**F. Change vent direction to horizontal/inclined run** - At transition from or to a horizontal/inclined run, install the SV4.5E45 and SV4.5E90 elbows in the same manner as the straight vent sections. The elbows feature a twist section to allow them to be routed about the center axis of their initial collar section to align with the required direction of the next vent run element. **Twist elbow sections in a clockwise direction only so as to avoid the possibility of unlocking any of the previously connected vent sections.** See **Figure 18**.

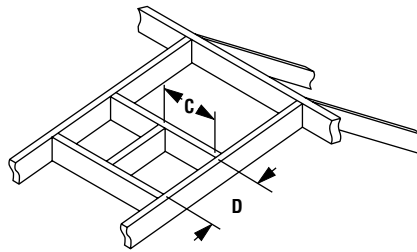


**Figure 18**

**G. Continue installation of horizontal/inclined sections** - Continue with the installation of the straight vent sections in horizontal/inclined run as described in **Step C**. Install support straps every 5' (1.52 m) along horizontal/inclined vent runs using conventional plumber's tape. **It is very important that the horizontal/inclined run be maintained in a straight (no dips) and recommended to be in a slightly elevated plane, in a direction away from the fireplace of 1/4" rise per foot (20 mm per meter) which is ideal, though rise per foot run ratios that are smaller are acceptable all the way down to at or near level.** Use a carpenter's level to measure from a constant surface and adjust the support straps as necessary.

**It is important to maintain the required clearances to combustibles: 1" (25 mm) at all sides for all vertical runs; and 3" (76 mm) at the top, 1" (25 mm) at sides, and 1" (25 mm) at the bottom for all horizontal/inclined runs.**

**H. Frame roof opening** - Identify location for vent at the roof. Cut and/or frame opening per Roof Framing Chart and **Figure 19**.

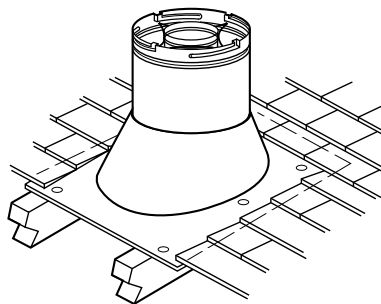


**Framing Dimensions for Roof**

Pitch	C	D
0/12	10½ in. (267 mm)	10½ in. (267 mm)
6/12	10½ in. (267 mm)	12 in. (305 mm)
12/12	10½ in. (267 mm)	17 ¾ in. (451 mm)

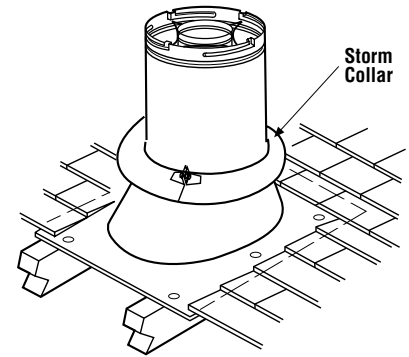
**Figure 19**

**I. Install the roof flashing** - Extend the vent sections through the roof structure. Install the roof flashing over the vent section and position such that the vent column rises vertically (use carpenter's level) (**Figure 20**). Nail along perimeter to secure flashing or adjust roofing to overlap the flashing edges at top and sides only and trim where necessary. Seal the top and both sides of the flashing with waterproof caulking.



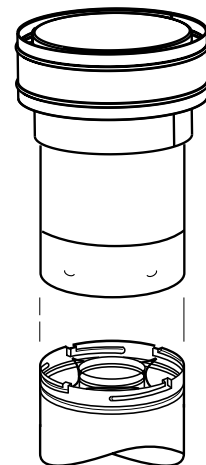
**Figure 20**

**J. Install the storm collar** - Install the storm collar, supplied with the flashing, over the vent/flashing joint. See **Figure 21**. Loosen the storm collar screw. Slide collar down until it meets the top of the flashing. Tighten the adjusting screw. Apply non-combustible caulking or mastic around the circumference of the joint to provide a water tight seal.



**Figure 21**

**K. Install the vertical termination** - The final step involves installation of the SV4.5CGV-1 Vertical Termination. Extend the vent sections to the height as shown in the "Vertical vent termination section" on **page 5**. The SV4.5CGV-1 Vertical Termination (**Figure 22**) installs in the exact same fashion as any other **Secure Vent** section. Align the termination over the end of the previously installed section, adjusting the radial alignment until the four locking dimples of the termination are aligned with the inlets of the four incline channels of the last vent section. Push the termination down until it fully engages, then twist the termination clockwise running the dimples down and along the incline channels until they seat at the end of the channels.



**Figure 22**

If the vent system extends more than 5' (1.5 m) above the roof flashing, stabilizers may be necessary. Additional screws may be used at section joints for added stability. Guide wires may be attached to the joint for additional support on multiple joint configurations.

**VERTICAL VENT FIGURES/TABLES**

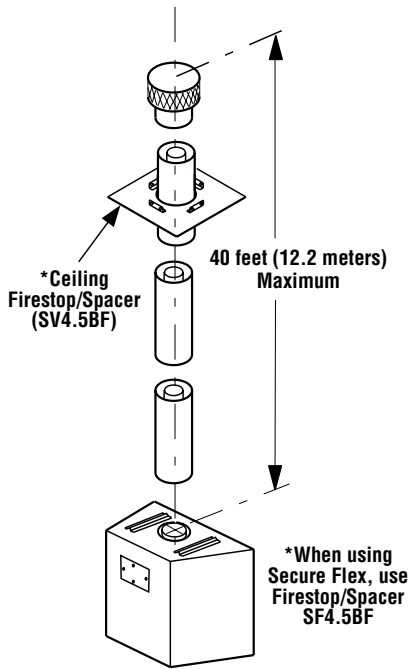
*Note: Secure Vent (rigid vent pipe) is shown in the figures; Secure Flex (flexible vent pipe) may also be used.*

**WARNING: UNDER NO CIRCUMSTANCES MAY SEPARATE SECTIONS OF CONCENTRIC FLEXIBLE VENT PIPE BE JOINED TOGETHER.**

*Note: It is very important that the horizontal/inclined run be maintained in a straight (no dips) and recommended to be in a slightly elevated plane, in a direction away from the fireplace of 1/4" rise per foot (20 mm per meter) which is ideal, though rise per foot run ratios that are smaller are acceptable all the way down to at or near level.*

*Note: SV4.5BF (Secure Vent), SF4.5BF (Secure Flex) firestop/spacer must be used anytime vent pipe passes through a combustible floor or ceiling. SV4.5HF (Secure Vent), SF4.5HF (Secure Flex) firestop/spacer must be used anytime vent pipe passes through a combustible wall.*

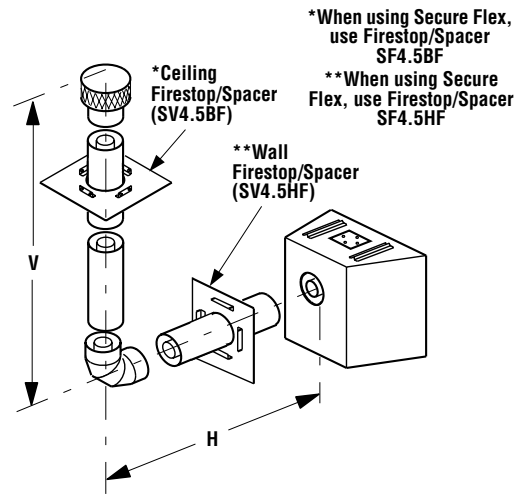
*Note: Two 45 degree elbows may be used in place of one 90 degree elbow. The same rise to run ratios, as shown in the venting figures for 90 elbows, must be followed if 45 degree elbows are used.*



**Figure 23 - Top Vent - STRAIGHT**

V MINIMUM		H Maximum	
feet	(m)	feet	(m)
1	(0.305)	2	(0.61)
2	(0.61)	4	(1.22)
3	(0.914)	6	(1.86)
4	(1.22)	8	(2.4)

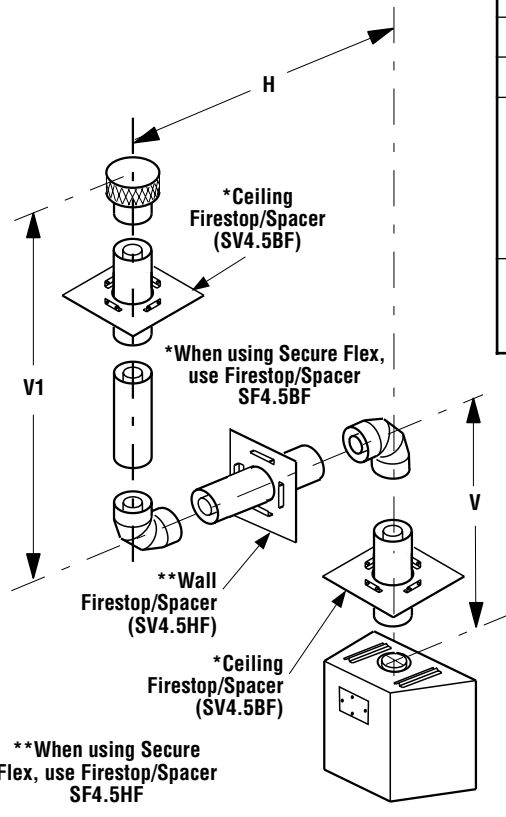
V + H = 40 feet (12.4 m) Max.  
H = 8 feet (2.4 m) Max.



**Figure 24 - Rear Vent - ONE 90 DEGREE ELBOW**

V MINIMUM		H Maximum	
feet	(meters)	feet	(meters)
1	(0.305)	5	(1.52)
2	(0.610)	10	(3.1)
3	(0.914)	15	(4.65)
4	(1.22)	20	(6.2)

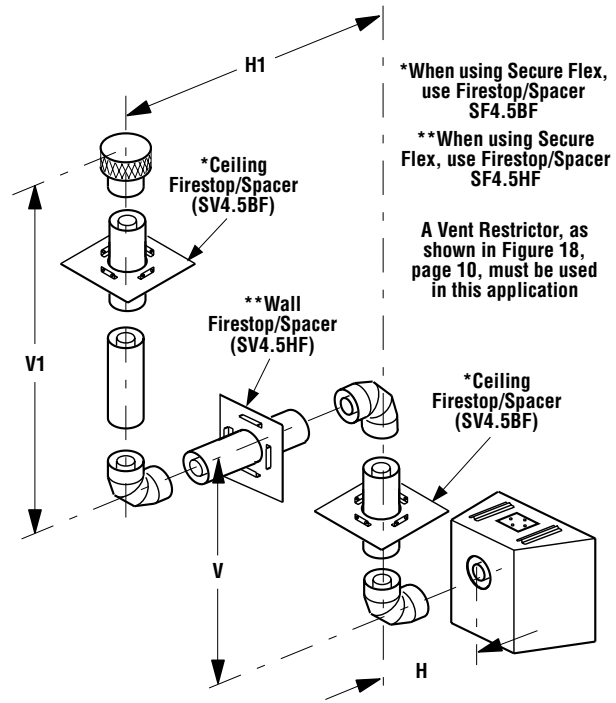
V + V<sub>1</sub> + H = 40 feet (12.4 m) Max.  
H = 20 feet (6.2 m) Max.



**Figure 25 - Top Vent - TWO 90 DEGREE ELBOWS**

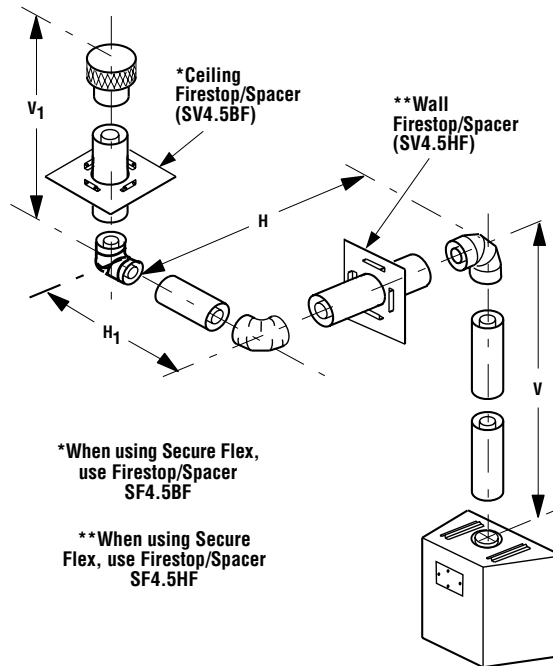
**VERTICAL VENT FIGURES/TABLES**  
(continued)

TABLE D					
V Minimum		H Maximum		H+H <sub>1</sub> Maximum	
feet	(m)	feet	(m)	feet	(m)
1	(0.305)	2	(0.610)	5	(1.52)
2	(0.610)	4	(1.22)	10	(3.1)
3	(0.914)	6	(1.86)	15	(4.65)
4	(1.22)	8	(2.48)	20	(6.2)
$V+V_1+H+H_1 = 40$ feet (12.4 m) Max. $H = 8$ feet (2.48 m) Max. $H + H_1 = 20$ feet (6.2 m) Max.					



**Figure 26 - Rear Vent - THREE ELBOWS**

TABLE E			
V MINIMUM		H + H <sub>1</sub> Maximum	
feet	(m)	feet	(m)
1	(0.305)	5	(1.52)
2	(0.610)	10	(3.1)
3	(0.914)	15	(4.65)
4	(1.22)	20	(6.2)
$H + H_1 = 20$ feet (6.2 m) Max. $V+V_1+H+H_1 = 40$ feet (12.4 m) Max.			



**Figure 27 - Top Vent - THREE ELBOWS**

## HORIZONTAL (OUTSIDE WALL) TERMINATION SYSTEM

**Figures 28, and Figures 34 to 41 on pages 16 to 18** and their associated Horizontal Vent Table illustrate the various horizontal venting configurations that are possible for use with these appliances. **Secure Vent** pipe applications are shown in these figures; **Secure Flex** pipe may also be used. A Horizontal Vent Table summarizes each system's minimum and maximum vertical and horizontal length values that can be used to design and install the vent components in a variety of applications. Both of these horizontal vent systems terminate through an outside wall. Building Codes limit or prohibit terminating in specific areas. Refer to **Figure 8 on page 6** for location guidelines.

**Secure Vent** SV4.5 direct vent system components are unitized concentric pipe components featuring positive twist lock connection, (refer to **Figure 15 on page 10**). All of the appliances covered in this document are fitted with collars having locking inclined channels. The dimpled end of the vent components fit over the appliance collar to create the positive twist lock connection.

### A. Plan the vent run -

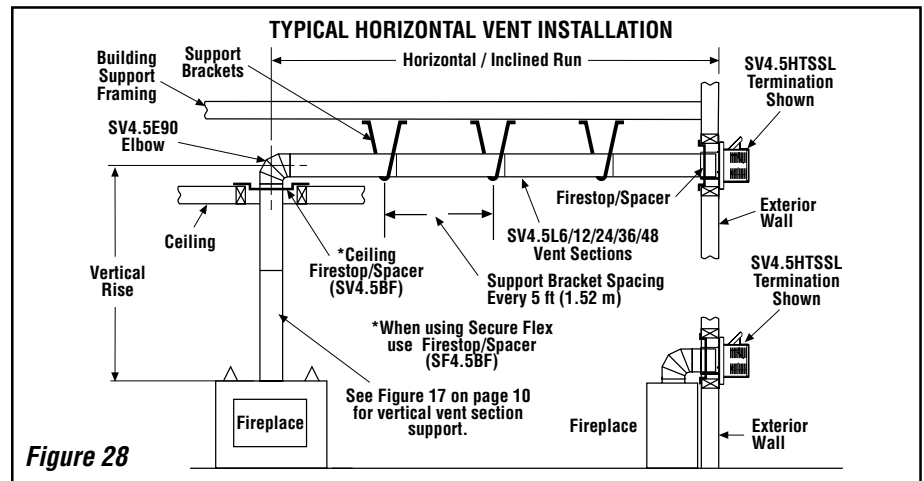
Analyze the vent routing and determine the types and quantities of sections required 4 1/2" (114 mm), 10 1/2" (267 mm), 22 1/2" (572 mm), 34 1/2" (876 mm) and 46 1/2" (1181 mm) net section lengths are available. Make allowances for elbows as indicated in **Figure 18 on page 10**. **Maintain a minimum 1" (25 mm) clearance to combustibles on the vertical sections. Clearances for the horizontal runs are; 3" (76 mm) on top, 1" (25 mm) on sides, and 1" (25 mm) at the bottom.**

### B. Frame exterior wall opening -

Locate the center of the vent outlet on the exterior wall according to the dimensions shown in **Figure 9 on page 7**. Cut and/or frame an opening, 10 1/2" x 12 1/8" (267 mm x 308mm) inside dimensions, about this center.

**C. Frame ceiling opening -** If the vertical route is to penetrate a ceiling, use plumb line to locate the center above the appliance. Cut and/or frame an opening, 10 1/2" x 10 1/2" (267 mm x 267 mm) inside dimensions, about this center (refer to **Figure 14 on page 10**).

**D. Attach vent components to appliance -** To attach a vent component to the appliance collar, align the dimpled end over the collar, adjusting the radial alignment until the four locking dimples are aligned with the inlets of the four incline channels on the collar (refer to **Figure 15 on page 10**). Push the vent component against the collar until it fully engages, then twist the component clockwise, running the dimples down and along the incline channels until they seat at the end of the channels. The unitized design of the **Secure Vent** components will engage and seal both the inner and outer pipe elements with the same procedure.



**Figure 28**

Sealant and securing screws are not required.

**Note:** An elbow may also be attached to the appliance collar. Attach in the same manner as you would a vent section.

### E. Attach vent components to each other -

Other vent sections may be added to the previously installed section in accordance with the requirements of the vent tables. To add another vent component to a length of vent run, align the dimpled end of the component over the inclined channel end of the previously installed section, adjusting the radial alignment until the four locking dimples are aligned with the inlets of the four incline channels of the previous section. Push the vent component against the previous section until it fully engages, then twist the component clockwise running the dimples down and along the incline channels until they seat at the end of the channels. **This seating position is indicated by the alignment of the arrow and dimple as shown in Figure 16 on page 10.**

### F. Install firestop/spacer at ceiling -

When using Secure Vent, use SV4.5BF firestop/spacer at ceiling joists; when using Secure Flex, use SF4.5BF firestop/spacer. If there is living space above the ceiling level, the firestop/spacer must be installed on the bottom side of the ceiling. If attic space is above the ceiling, the firestop/spacer must be installed on the top side of the joist. Route the vent sections through the framed opening and secure the firestop/spacer with 8d nails or other appropriate fasteners at each corner.

**Remember to maintain 1" (25 mm) clearance to combustibles, framing members, and attic or ceiling insulation when running vertical chimney sections.**

### G. Support the vertical run sections -

On the vertical run, support the venting system every 8 feet (2.4m) above the fireplace vent outlet with field provided support straps (Plumber's tape). Attach the straps to the vent pipe and secure to the framing members with nails or screws. See **Figure 17 on page 10**.

**H. Change vent direction -** At transition from or to a horizontal/inclined run, install the SV4.5E45 and SV4.5E90 elbows in the same manner as the straight vent sections. The elbows feature a twist section to allow them to be routed about the center axis of their initial collar section to align with the required direction of the next vent run element. **Twist elbow sections in a clockwise direction only so as to avoid the possibility of unlocking any of the previously connected vent sections.** See **Figure 18 on page 11**.

### I. Continue installation of horizontal/inclined sections -

Continue with the installation of the straight vent sections in horizontal/inclined run as described in **Step E**. Install support straps every 5 ft. (1.52 m) along horizontal/inclined vent runs using conventional plumber's tape. See **Figure 28**. **It is very important that the horizontal/inclined run be maintained in a straight (no dips) and recommended to be in a slightly elevated plane, in a direction away from the fireplace of 1/4" rise per foot (20 mm per meter) which is ideal, though rise per foot run ratios that are smaller are acceptable all the way down to at or near level.** Use a carpenter's level to measure from a constant surface and adjust the support straps as necessary.

**It is important to maintain the required clearances to combustibles: 1" (25 mm) at all sides for all vertical runs; and 3" (76 mm) at the top, 1" (25 mm) at sides, and 1" (25 mm) at the bottom for all horizontal/inclined runs.**

**J. Assemble vent run to exterior wall -** If not previously measured, locate the center of the vent at the exterior wall. Prepare an opening as described in **Step B**

**When using square (SV4.5 HTS), shortsquare (SV4.5 HTSS) or round (SV4.5HTR) horizontal termination -**

Assemble the vent system to point where the terminus of the last section is within 6 in. (152 mm) to 10 1/4 in. (260 mm) inboard of the exterior surface to which the termination is to be attached, see **Figure 31 on page 15**.

If the terminus of the last section is not within this distance, use the **telescopic vent section SV4.5LA**, as the last vent section. For wall thicknesses greater than that shown in **Figure 31**, refer to **table 3 on page 16**. This table lists the additional venting components needed (in addition to the termination and adapter) for a particular range of wall thicknesses.

**When using long square (SV4.5HTSSL) horizontal termination -**

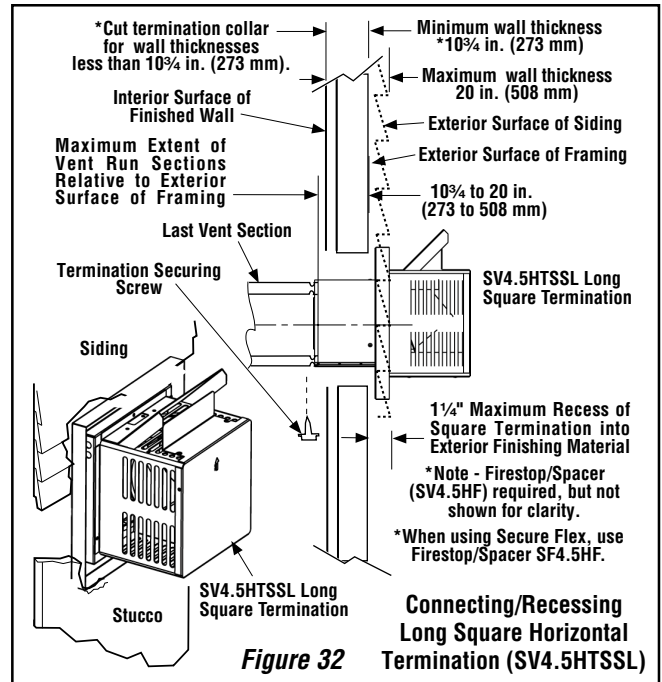
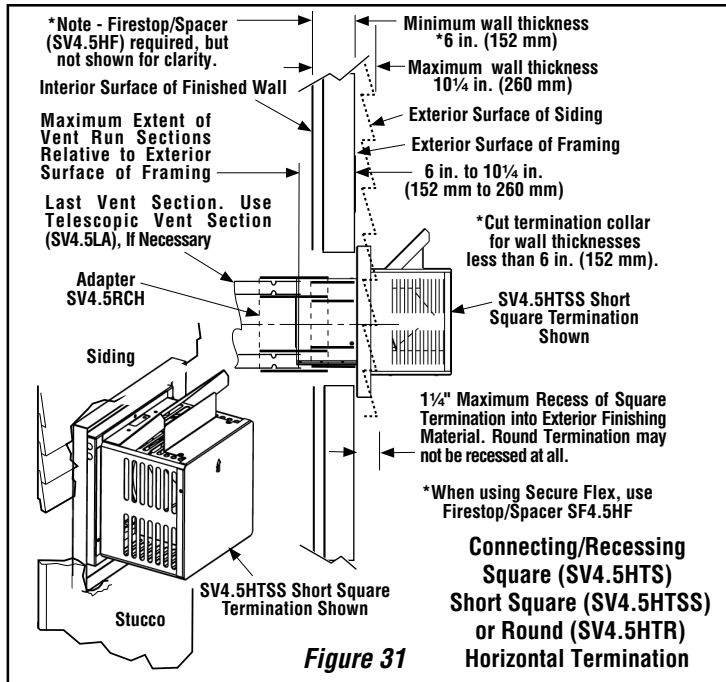
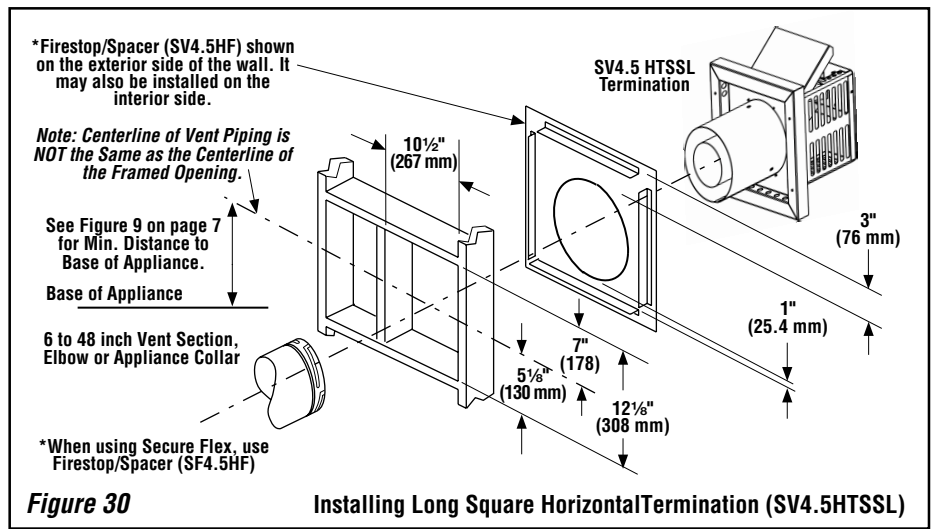
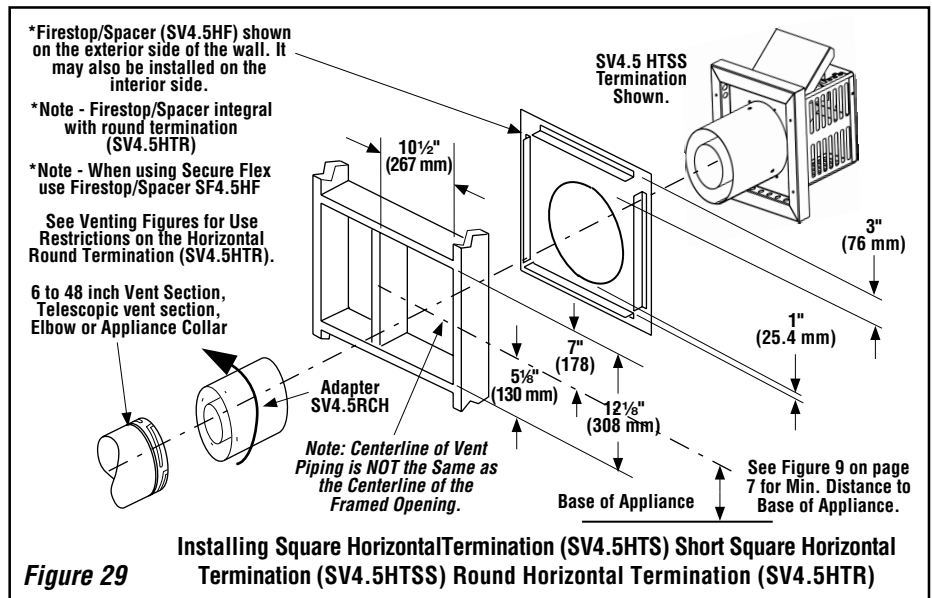
Assemble the vent system to point where the terminus of the last section is within 0 in. (0 mm) to 9¼ in. (248 mm) inboard of the exterior surface to which the termination is to be attached, see **Figure 32**.

**K. When using square (SV4.5HTS) or short square (SV4.5 HTSS) horizontal termination - attach termination adapter -**

Attach the adapter (adapter - SV4.5RCH - provided with the termination) to the vent section or telescoping vent section, elbow or appliance collar as shown in **Figure 29** in the same manner as any SV4.5 vent component (refer to **Step E**).

**L. Install Firestop/Spacer at exterior wall -**

When using either of the **square** terminations, install SV4.5HF (Secure Vent), or SF4.5HF (Secure Flex) firestop/spacer over the opening at the exterior side of the framing, long side up, with the 3 inch spacer clearance at the top as shown in **Figure 29 or 30**, and nail into place. (The Firestop/Spacer may be installed over the opening at the interior side of the framing.) When using the **round** termination, a separate firestop/spacer is not required since this termination has integral spacers which provide the same function as a separate firestop/spacer.



**M. Install the desired termination - See the horizontal venting figures for application restrictions on the round termination (SV4.5HTR).**

**1. Install the square (SV4.5HTS) or short square termination (SV4.5HTSS) -** For the last step, from outside the exterior wall, slide the collars of the termination into the adapter (see **Figure 31**) until the termination seats against the exterior wall surface to which it will be attached. Orient the housing of the termination with the arrow pointed upwards. Secure the termination to the exterior wall. **The horizontal termination must not be recessed into the exterior wall or siding** by more than the 1 1/4" (32 mm) as shown in **Figure 31**.

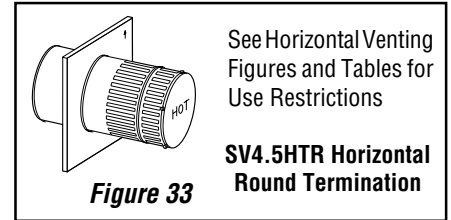
**2. Install the long square termination (SV4.5HTSSL) -** For the last step, from outside the exterior wall, slide the collars of the termination onto the last vent section (see **Figure 32**) until the termination seats against the exterior wall surface to which it will be attached.

Orient the housing of the termination with the arrow pointed upwards. Secure the termination to the exterior wall. **The horizontal termination must not be recessed into the exterior wall or siding** by more than the 1 1/4" (32 mm) as shown in **Figure 32**.

**3. Install the round termination (SV4.5HTR) -** See **Figure 33** for an illustration of the round termination. For the last step, from outside the exterior wall, slide the collars of the termination onto the adapter (same as shown in **Figure 31** for the SV4.5HTSS short square termination) until the termination seats against the exterior wall surface to which it will be attached. Orient the housing of the termination with the arrow pointed upwards. Secure the termination to the exterior wall.

**The SV4.5HTR Round Termination may not be used when the appliance is vented directly out the wall from the rear as shown in Figures 34 and 35.**

**Do Not recess the SV4.5HTR round termination at all.**



**SFHRK Snorkel Cap -**The snorkel cap is designed to be fitted into a basement window box. The SFHRK cap is for use with flex vent. The vertical distance between the inlet and outlet of the cap is 28 in. (711 mm). pipe.

**HORIZONTAL VENT FIGURES/TABLES**

TABLE 3 - Venting Components Required for Various Exterior Wall Thicknesses, When Using Any of These Termination Kits - Square Termination (SV4.5HTS) Small Square Termination (SV4.5HTSS) Round Termination (SV4.5HTR)	
Venting Components Required	Exterior Wall Thicknesses inches (mm)
Termination Kit Only	6 to 10 1/4 (152 to 260)
Termination Kit and 6 in. vent section (SV4.5L6)	10 1/4 to 14 3/4 (260 to 375)
Termination Kit and 12 in. vent section (SV4.5L12)	16 3/4 to *20 3/4 (425 to *527)
Termination Kit and Telescopic section (SV4.5LA) and 6 in. vent section (SV4.5L6)	11 3/4 to *21 3/4 (298 to *552)

**\*Note: See Figure 35 for wall thickness range reductions when using SV4.5HTS and SV4.5HTSS terminations.**

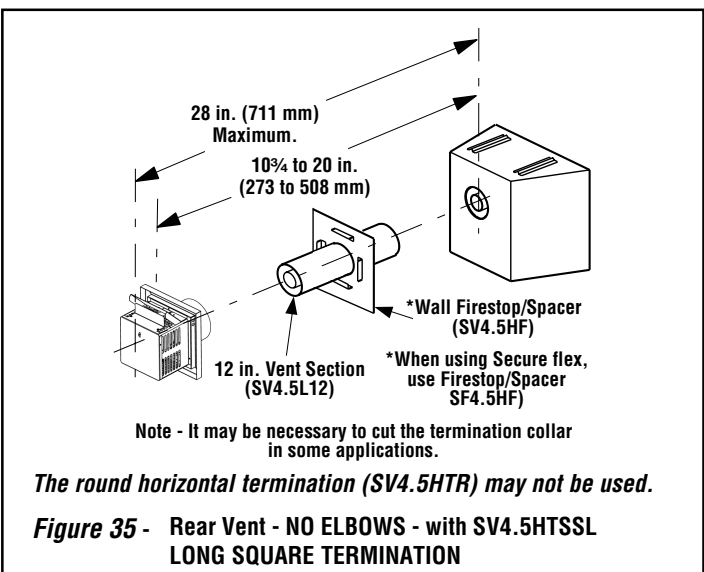
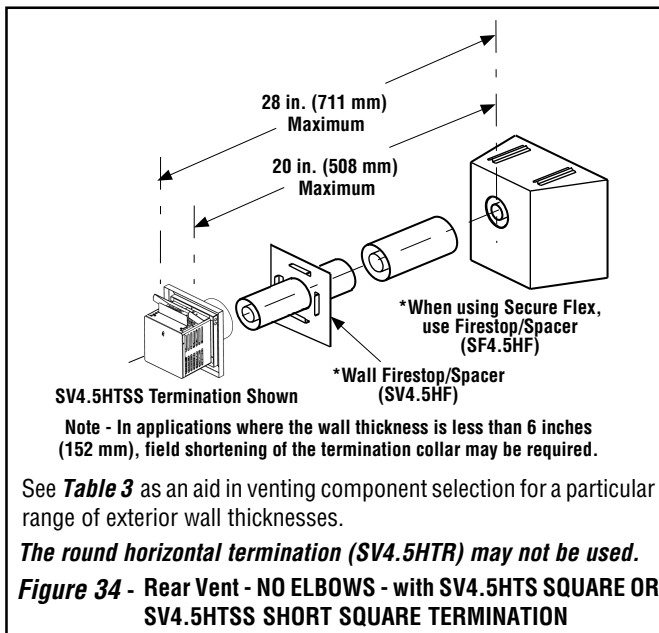
**Note: Secure Vent components (rigid vent pipe and terminal) are shown in the figures; Secure Flex components (flexible vent pipe and terminal) may also be used.**

**Note: SV4.5BF (Secure Vent), SF4.5BF (Secure Flex) firestop/spacer must be used anytime vent pipe passes through a combustible floor or ceiling. SV4.5HF (Secure Vent), SF4.5HF (Secure Flex) firestop/spacer must be used anytime vent pipe passes through a combustible wall.**

**Note: Two 45 degree elbows may be used in place of one 90 degree elbow. The same rise to run ratios, as shown in the venting figures for 90 elbows, must be followed if 45 degree elbows are used.**

**Note: It is very important that the horizontal/inclined run be maintained in a straight (no dips) and recommended to be in a slightly elevated plane, in a direction away from the fireplace of 1/4" rise per foot (20 mm per meter) which is ideal, though rise per foot run ratios that are smaller are acceptable all the way down to at or near level.**

**WARNING: UNDER NO CIRCUMSTANCES MAY SEPARATE SECTIONS OF CONCENTRIC FLEXIBLE VENT PIPE BE JOINED TOGETHER.**



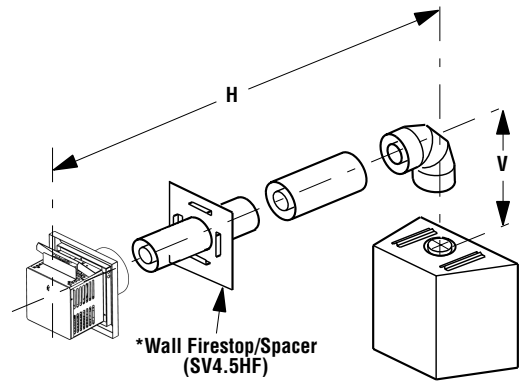


**HORIZONTAL VENT FIGURES/TABLES (CONTINUED)**

TABLE F	
V = One 90 degree elbow	
H = 3 feet (0.914 m) Max.	

Refer to **Table 3 on page 16** for an aid in venting component selection for a particular range of exterior wall thicknesses when using the square (SV4.5HTS), small square (SV4.5HTSS) or the round (SV4.5HTR) termination .

**Short Square Termination (SV4.5HTSS) shown;**  
**Long Square Termination (SV4.5HTSSL) may also be used;**  
**Square Termination (SV4.5HTS) may also be used**  
**Round Termination (SV4.5HTR) may also be used.**



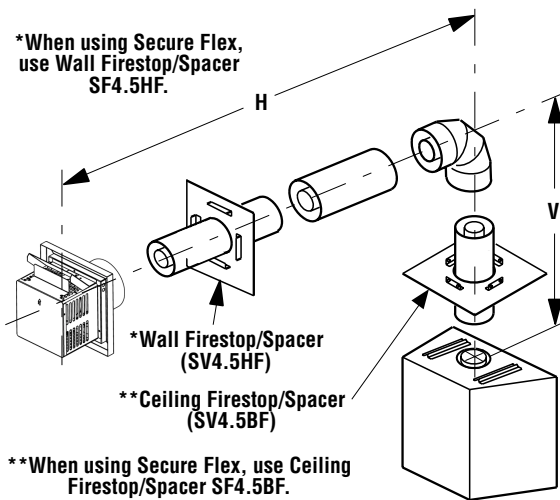
\*When using Secure Flex, use Wall Firestop/Spacer SV4.5HF.

**Figure 36 - Top Vent - ONE 90 DEGREE ELBOW - ELBOW CONNECTION AT APPLIANCE**

TABLE G			
V Minimum		H Maximum	
feet	(m)	feet	(m)
1	(0.305)	5	(1.52)
2	(0.61)	10	(3.1)
3	(0.914)	15	(4.65)
4	(1.22)	20	(6.2)
V + H = 40 feet (12.4 m) Max.			
H = 20 feet (6.2 m) Max.			

Refer to **Table 3 on page 16** for an aid in venting component selection for a particular range of exterior wall thicknesses when using the square (SV4.5HTS), small square (SV4.5HTSS) or the round (SV4.5HTR) termination .

**Short Square Termination (SV4.5HTSS) shown;**  
**Long Square Termination (SV4.5HTSSL) may also be used;**  
**Square Termination (SV4.5HTS) may also be used**  
**Round Termination (SV4.5HTR) may also be used.**



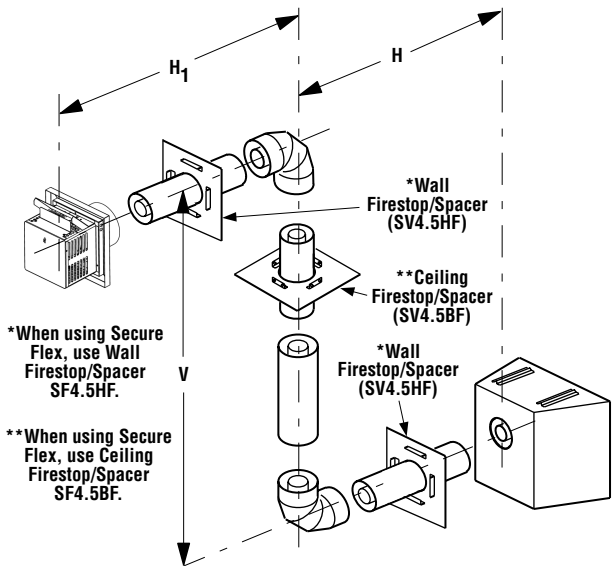
\*\*When using Secure Flex, use Ceiling Firestop/Spacer SF4.5BF.

**Figure 37 - Top Vent - ONE 90 DEGREE ELBOW - ELBOW CONNECTION NOT DIRECTLY AT APPLIANCE**

TABLE H					
V Minimum		H Maximum		H+H <sub>1</sub> Maximum	
feet	(m)	feet	(m)	feet	(m)
1	(0.305)	2	(0.610)	5	(1.52)
2	(0.610)	4	(1.22)	10	(3.1)
3	(0.914)	6	(1.86)	15	(4.65)
4	(1.22)	8	(2.48)	20	(6.2)
V+H+H <sub>1</sub> = 40 feet (12.4 m) Max.					
H = 8 feet (2.48 m) Max.					
H + H <sub>1</sub> = 20 feet (6.2 m) Max.					

Refer to **Table 3 on page 16** for an aid in venting component selection for a particular range of exterior wall thicknesses when using the square (SV4.5HTS), small square (SV4.5HTSS) or the round (SV4.5HTR) termination .

**Short Square Termination (SV4.5HTSS) shown;**  
**Long Square Termination (SV4.5HTSSL) may also be used;**  
**Square Termination (SV4.5HTS) may also be used**  
**Round Termination (SV4.5HTR) may also be used.**



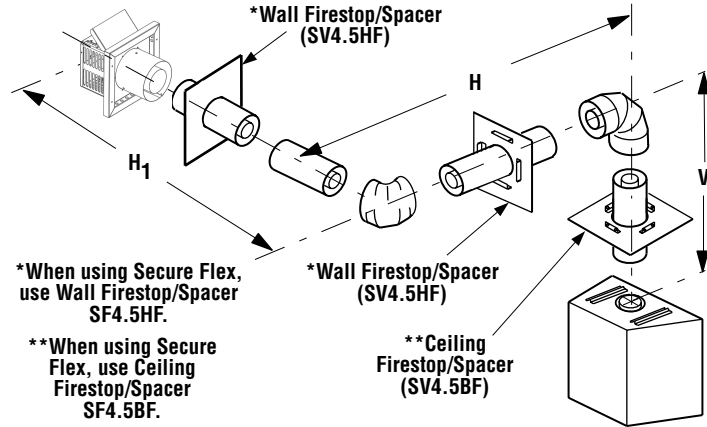
\*\*When using Secure Flex, use Ceiling Firestop/Spacer SF4.5BF.

**Figure 38- Rear Vent - TWO 90 DEGREE ELBOWS**

**HORIZONTAL VENT FIGURES/TABLE (CONTINUED)**

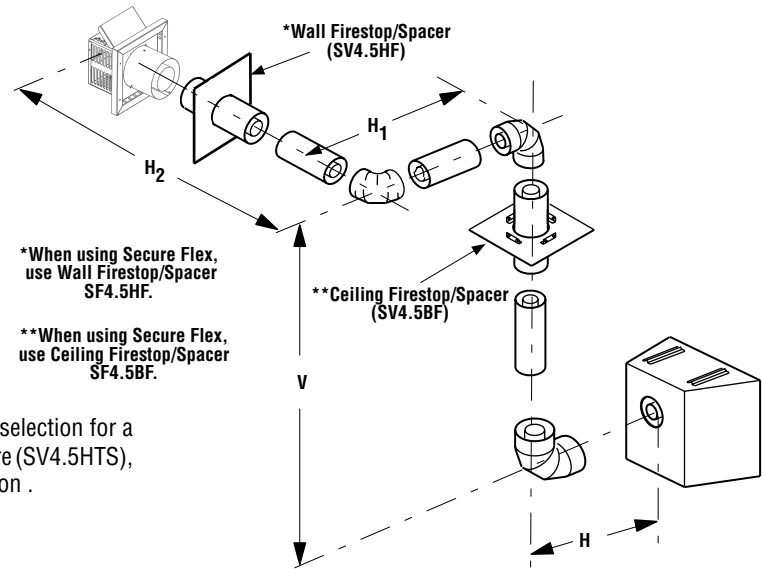
<b>TABLE J</b>			
<b>V Minimum</b>		<b>H + H<sub>1</sub> Maximum</b>	
feet	(m)	feet	(m)
1	(0.305)	5	(1.52)
2	(0.610)	10	(3.1)
3	(0.914)	15	(4.65)
4	(1.22)	20	(6.2)
V + H + H <sub>1</sub> = 40 feet (12.4 m) Max. H + H <sub>1</sub> = 20 feet (6.2 m) Max.			

Refer to **Table 3 on page 16** for an aid in venting component selection for a particular range of exterior wall thicknesses when using the square (SV4.5HTS), small square (SV4.5HTSS) or the round (SV4.5HTR) termination .



**Short Square Termination (SV4.5HTSS) shown;**  
**Long Square Termination (SV4.5HTSSL) may also be used;**  
**Square Termination (SV4.5HTS) may also be used**  
**Round Termination (SV4.5HTR) may also be used.**  
**Figure 39 - Top Vent - TWO 90 DEGREE ELBOWS**

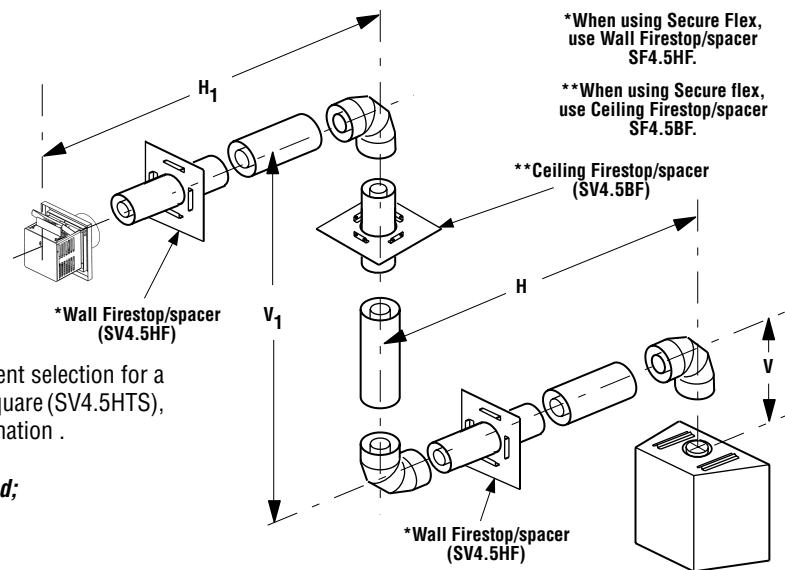
<b>TABLE K</b>					
<b>V Minimum</b>		<b>H Maximum</b>		<b>H+H<sub>1</sub>+H<sub>2</sub> Maximum</b>	
feet	(m)	feet	(m)	feet	(m)
1	(0.305)	2	(0.610)	5	(1.52)
2	(0.610)	4	(1.22)	10	(3.1)
3	(0.914)	6	(1.86)	15	(4.65)
4	(1.22)	8	(2.48)	20	(6.2)
V+H+H <sub>1</sub> +H <sub>2</sub> = 40 feet (12.4 m) Max. H = 8 feet (2.48 m) Max. H+H <sub>1</sub> +H <sub>2</sub> = 20 feet (6.2 m) Max.					



Refer to **Table 3 on page 16** for an aid in venting component selection for a particular range of exterior wall thicknesses when using the square (SV4.5HTS), small square (SV4.5HTSS) or the round (SV4.5HTR) termination .

**Short Square Termination (SV4.5HTSS) shown;**  
**Long Square Termination (SV4.5HTSSL) may also be used;**  
**Square Termination (SV4.5HTS) may also be used**  
**Round Termination (SV4.5HTR) may also be used.**  
**Figure 40 - Rear Vent - THREE 90 DEGREE ELBOWS**

<b>TABLE L</b>			
<b>V Minimum</b>		<b>H Maximum</b>	
feet	(m)	feet	(m)
1	(0.305)	5	(1.52)
2	(0.610)	10	(3.1)
3	(0.914)	15	(4.65)
4	(1.22)	20	(6.2)
H + H <sub>1</sub> = 20 feet (6.2 m) Max. V + V <sub>1</sub> + H + H <sub>1</sub> = 40 feet (12.4 m) Max.			



Refer to **Table 3 on page 16** for an aid in venting component selection for a particular range of exterior wall thicknesses when using the square (SV4.5HTS), small square (SV4.5HTSS) or the round (SV4.5HTR) termination .

**Short Square Termination (SV4.5HTSS) shown;**  
**Long Square Termination (SV4.5HTSSL) may also be used;**  
**Square Termination (SV4.5HTS) may also be used**  
**Round Termination (SV4.5HTR) may also be used.**  
**Figure 41 - Top Vent - THREE 90 DEGREE ELBOWS**

## VERTICAL OR HORIZONTAL VENTING USING SECURE FLEX KITS AND COMPONENTS

**Secure Flex** venting kits and components may be used in any venting application where rigid **Secure Vent** (SV4.5) direct vent components can be used. All restrictions, clearances and allowances that pertain to the rigid piping apply to the flexible venting. **Secure Flex kits may not be modified; also, under no circumstances may separate sections of flex pipe be joined together.** **Secure Flex** kits may be added to the end of a vent run made up of rigid **Secure Vent** (SV4.5) vent sections provided that doing so does not violate any of the venting length, height, routing, horizontal to vertical ratio requirements or clearance considerations detailed in this manual.

**Secure Flex** kits come with an included adapter that can be fitted to the appliance collar or the inclined channel end of the last **Secure Vent** (SV4.5) vent section in a rigid system in the exact same fashion as any other **Secure Vent** section. Align the dimpled end of the adapter over the previously installed section or appliance collar, adjusting the radial alignment until the four locking dimples of the adapter are aligned with the inlets of the four incline channels of the last vent section or collar. Push on the adapter until it fully engages, then twist the adapter clockwise running the dimples down and along the incline channels until they seat at the end of the channels.

**Attach the flexible vent to the adapter as follows (see also Figure 42):**

### A. Install the Inner Flex Pipe -

1. Install the small gear clamp loosely around the inner flexible vent pipe, push it back out of the way.

2. Apply a bead of **Mill-Pac Black (700°F) high temperature sealant - Catalog No. 10K81** to the inner adapter collar, approximately ½ inch from the end.

3. Pull and extend the inner flexible vent pipe.

4. Slide the inner flex pipe over the adapter collar. Ensure the flexible vent pipe completely engages the adapter collar to a distance of 1¾ inches from the end, and that it is free from damage or tears.

5. Slide the gear clamp down and tighten it fully to secure the flexible vent to the adapter inner collar approximately ¾ inch from the end of the flex.

6. Install **three screws 120 degrees apart** through the flexible vent pipe and into the adapter collar just below the gear clamp to provide additional security to the connection.

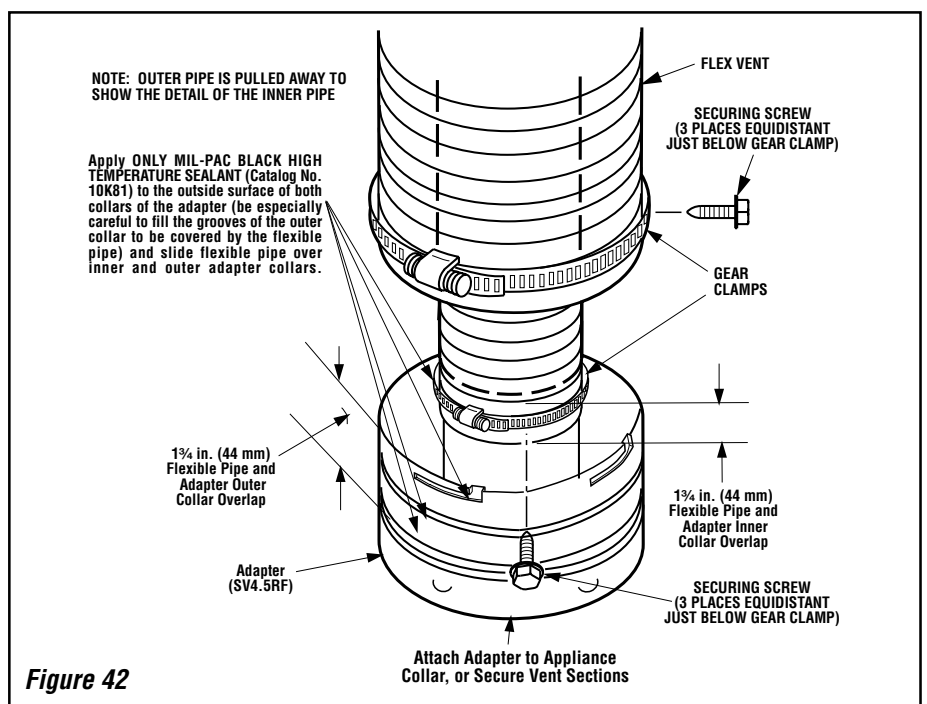


Figure 42

### B. Install the Outer Flex Pipe -

1. Install the large gear clamp loosely around the outer flexible vent pipe, push it back out of the way.

2. Apply a bead of **Mill-Pac Black (700°F) high temperature sealant - Catalog No. 10K81** to the outer adapter collar; to the grooves of the collar which extend approximately 1 inch from the end and to the flat surface, approximately 1¾ inches from the end.

3. Pull and extend the outer flexible vent pipe.

4. Slide the outer flex pipe over the adapter collar. Ensure the flexible vent pipe completely engages the adapter collar to a distance of 1¾ inches from the end, and that it is free from damage or tears.

5. Slide the gear clamp down and tighten it fully to secure the flexible vent to the adapter outer collar approximately ¾ inch from the end of the flex.

6. Install **three screws 120 degrees apart** through the flexible vent pipe and into the adapter collar just below the gear clamp to provide additional security to the connection.

### C. Route Flex Vent -

Ensure that the flex vent is properly routed to provide the required clearance. Do Not allow the flexible vent to bend in a radius tighter than 5" (127 mm). Refer to **Figure 43**. Support horizontal sections of flex with metal straps at 2 foot (0.61 m) intervals.

### D. Install Firestop/Spacers at ceilings and walls -

When **Secure Flex** penetrates a wall or ceiling, a firestop/spacer is required: use the SF4.5 BF firestop/spacer for ceilings and the SF4.5 HF firestop/spacer for walls. See the appropriate sections and figures shown throughout the venting section for their installation requirements.

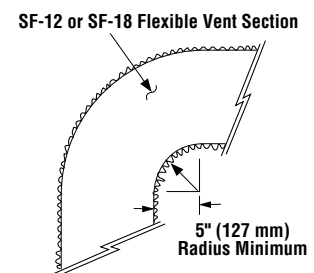


Figure 43

### E. Attach Flex Vent to Termination -

**Secure Flex** components can be purchased separately and attached to bulk lengths of **Secure Flex** flexible tubing cut to size at the job site. Secure the flexible vent to the **Secure Flex** terminations in the same manner (see **Figure 42**) as it was attached to the adapter.

**Note: Secure Flex vent must be attached to Secure Flex terminations only. DO NOT substitute Secure Vent terminations or the Secure Vent adapter for Secure Flex components. The collars of Secure Flex terminations and adapters have a different circumference than that used with the Secure Vent pipe. Additionally, Secure Flex components have an extended length center tube for use in attaching the flexible vent.**

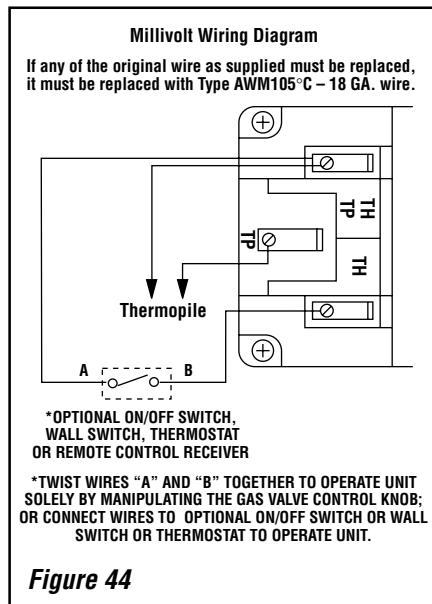
## Step 4. FIELD WIRING

The gas valve is set in place and pre-wired at the factory on both models.

### A. SIT and Honeywell Millivolt Wiring (See Figure 44) –

1. Select any of the following optional controls: appliance-mounted (rocker switch) or wall-mounted switch, thermostat, or one of the optional remote control kits. If appliance-mounted ON/OFF control is selected mount it in the gas valve mounting bracket.
2. If wall-mounted ON/OFF control or thermostat is selected mount it in a convenient location on a wall near the fireplace.
3. Wire the control switch within the millivolt control circuit using the 15 feet of 2 conductor wire supplied with the unit. **Caution: do not connect the optional wall switch to a 120V power supply.**
4. Alternatively, the appliance may be operated without the use of the controls indicated in step 1, solely by manipulating the gas valve control knob. In order to use this method, twist the free ends of the two conductor wire (located inside the bottom compartment of the unit) together as shown in **Figure 44**.

**Note:** The supplied 15 feet of 2 conductor wire has one end of each conductor connected to the gas valve circuit and the other end of each conductor placed loose inside the bottom compartment of the unit.



**Note:** The supplied 15 feet of 2 conductor wire has one end of each conductor connected to the gas valve circuit and the other end of each conductor placed loose inside the bottom compartment.

### B. Electronic Wiring (See Figure 45) –

**Note:** The electronic appliance must be connected to the main power supply.

1. Route a 3-wire 120Vac 60Hz 1ph power supply to the appliance junction box.
2. Remove the outlet box from the junction box by removing two screws .
3. Connect the black power supply wire to the **lower outlet's** red pigtail lead and the white power supply wire to the **common** terminal of the outlet as shown in **Figure 46**.
4. Connect the ground supply wire to the outlet's green ground screw.
5. Locate and install a low voltage (24V) wall switch or thermostat (not supplied) in the desired location.
6. Connect the low voltage wire to this switch or thermostat.
7. Insert the control circuit plug into the **lower** outlet box.
8. After wiring is complete, replace the outlet box.

**Note:** The gas valve-mounted ON/OFF switch is shown in **Figure 45**. It is integral with the gas valve.

## Step 5. WIRING - OPTIONAL FORCED AIR BLOWER KIT (See Figure 45)

An electrical outlet box is provided for the installation of the FBK-100, FBK-200 forced air blower kits (optional). Electrical power must be provided to this box to operate these blowers.

1. Route a 3-wire, 120Vac 60Hz 1ph power line with control switch to the lower right rear corner of the appliance.
2. Remove the outlet box by removing two screws.
3. Connect the supply wires to the blower control switch. Then connect the wires from the blower control switch to the 'outlet box' pigtail leads as shown in **Figure 45**.

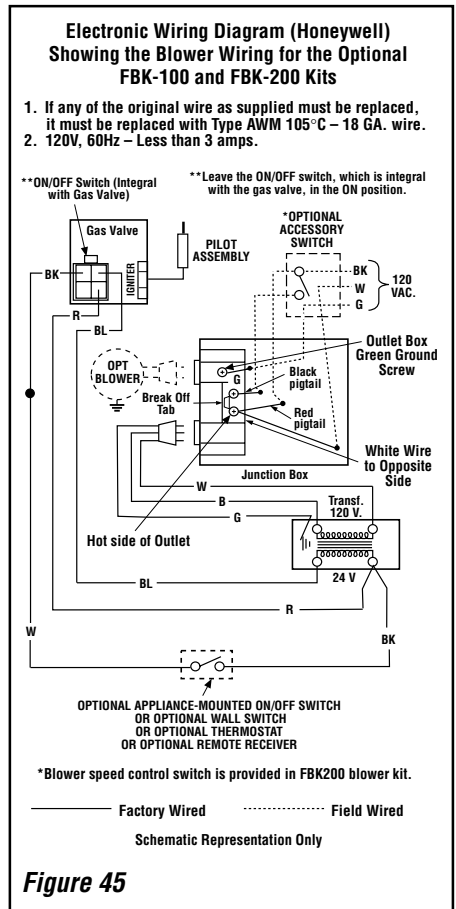
4. Connect the ground supply wire to the outlet's green ground screw.

5. Reinstall the outlet box.

6. Insert the blower plug into the **top** outlet.

(The bottom outlet is unused on millivolt units, while the burner control circuit plugs into the bottom outlet on electronic units.)

**IMPORTANT: Ground lead must be connected to the green screw located on the outlet box. See Figure 45. Failure to do so will result in a potential safety hazard. The appliance must be electrically grounded in accordance with local codes or, in the absence of local codes, the National Electrical Code, ANSI/NFPA 70- (latest edition). (In Canada, the current CSA C22-1 Canadian Electrical Code.)**



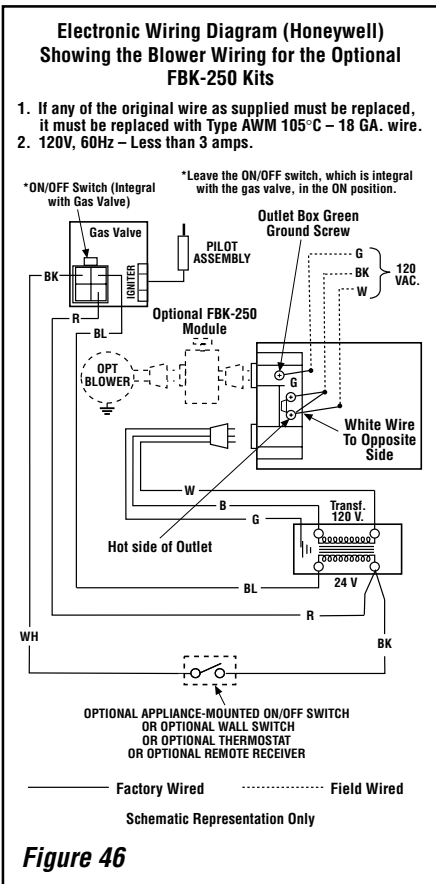
## FBK-250 Blower Kit (See Figure 46)

An electrical outlet box is provided for the installation of the **FBK-250** forced air blower kit. Electrical power must be provided to this box to operate these blowers. Install the blower kit according to the installation instructions provided with the kit.

1. Route a 3-wire, 120Vac 60Hz 1ph power line to the lower right rear corner of the appliance.
2. Remove the outlet box by removing two screws.
3. Connect the black supply wire to **both** of the outlet box' pigtail leads and the white supply wire to the **common** terminal of the outlet box as shown in **Figure 46**.
4. Connect the ground supply wire to the outlet's green ground screw.
5. Reinstall the outlet box.
6. Insert the kit-provided module plug into the **top** outlet.

*(The bottom outlet is unused on millivolt units, while the burner control circuit plugs into the bottom outlet on electronic units.)*

7. Insert the blower plug into the **module's** receptacle.



## Step 6. CONNECTING GAS LINE

Make gas line connections. All codes require a shut-off valve mounted in the supply line. **Figure 47** illustrates two methods for connecting the gas supply. The flex-line method is acceptable in the U.S., however, Canadian requirements vary depending on locality. Installation must be in compliance with local codes.

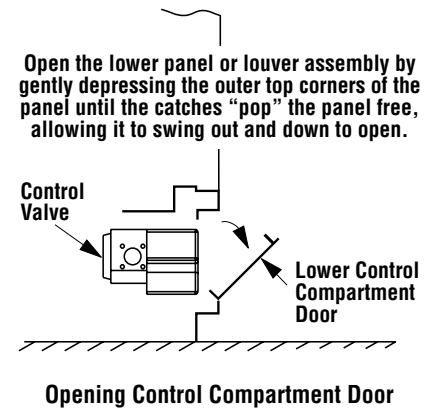
These appliances can be equipped with a gas flex line for use (where permitted) in connecting the unit to the gas line. The gas flex line (not provided) is to aid in attaching the direct vent appliance to the gas supply. The gas flex line can only be used where local codes permit. See **Figure 47** for flex line description. The flex line is rated for both natural and propane gas. The optional gas flex line is equipped with a manual shut off valve.

Open the control compartment access panel (**Figure 48**) by actuating the spring-loaded magnetic catches securing the panel, gently depressing the outer top corners of the panel until the catches "pop" the panel free, allowing it to swing out and down to open.

The millivolt control valve has a  $\frac{3}{8}$ " (10 mm) NPT thread inlet port.

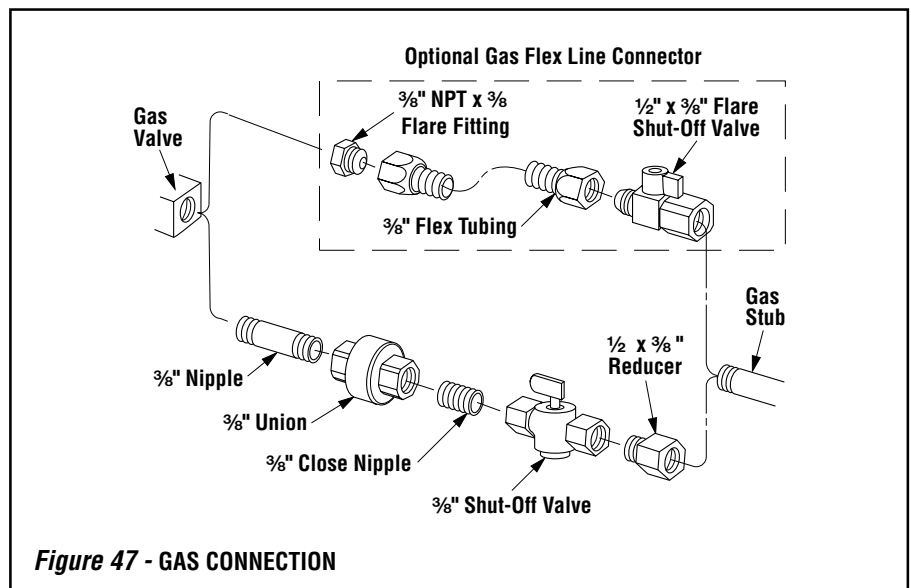
**Secure all joints tightly using appropriate tools and sealing compounds (ensure propane resistant compounds are used in propane applications).**

Turn on gas supply and test for gas leaks using a soapy water solution. **Never use an open flame to check for leaks.**



**Figure 48**

- A. Mix a 50% dish soap, 50% water solution.
- B. Light the appliance (refer to the lighting instructions provided in the Homeowner's Care and Operation Instructions).
- C. Brush all joints and connections with the soapy water solution to check for leaks. If bubbles are formed, or gas odor is detected, turn the gas control knob to the "OFF" position. Either tighten or refasten the leaking connection and retest as described above.
- D. When the gas lines are tested and leak free, observe the individual tongues of flame on the burner. Make sure all ports are open and producing flame evenly across the burner. If any ports are blocked, or partially blocked, clean out the ports.



## Step 7. INSTALLING LOGS AND GLOWING EMBERS

The logs are packaged in a carton which is shrink-wrapped to the front glass enclosure panel. The glowing embers are packaged separately in a plastic bag located in the control area of the fireplace.

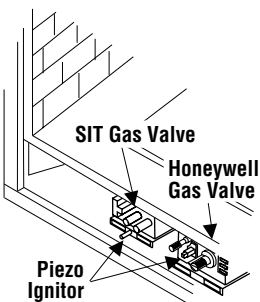
Refer to the homeowner's care and operation instructions for detailed placement instructions for the logs and glowing embers.

## Step 8. CHECKING APPLIANCE OPERATION

With gas line installed run initial system checkout before closing up the front of the unit. Follow the pilot lighting instructions provided in the Homeowner's Care and Operation Instructions. For piezo ignitor location see **Figure 49** (SIT and Honeywell millivolt appliances only).

**Note:** Instructions are also found on the literature tag attached to the gas valve train.

When first lighting the appliance, it will take a few minutes for the line to purge itself of air. Once purging is complete, the pilot and burner will light and operate as indicated in the instruction manual. Subsequent lightings of the appliance will not require such purging. Inspect the pilot flame (remove logs, if necessary, handling carefully).



Sit and Honeywell Millivolt Gas Valve Showing Piezo Ignitor Location (Each Unit is Equipped with Only One of these Gas Valves)

Figure 49

### SIT and Honeywell Millivolt Appliance Checkout

The pilot flame should be steady, not lifting or floating. Flame should be blue in color with traces of orange at the outer edge. The top  $\frac{3}{8}$ " (10 mm) at the pilot generator (thermopile) and the top  $\frac{1}{8}$ " min (tip) of the quick drop out thermocouple should be engulfed in the pilot flame. The flame should project 1" (25 mm) beyond the hood at all three ports (**Figure 50 - SIT, Figure 51 - Honeywell**)

Replace logs if removed for pilot inspection.

To light the burner; turn "ON" the remote wall switch and rotate the gas valve control knob counterclockwise to the "ON" position.

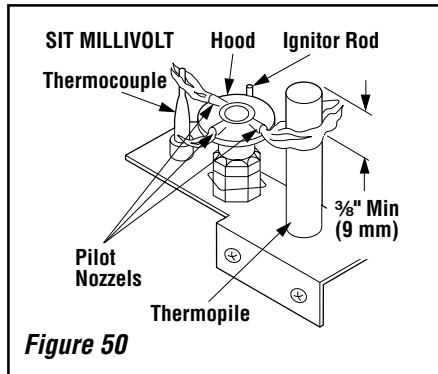


Figure 50

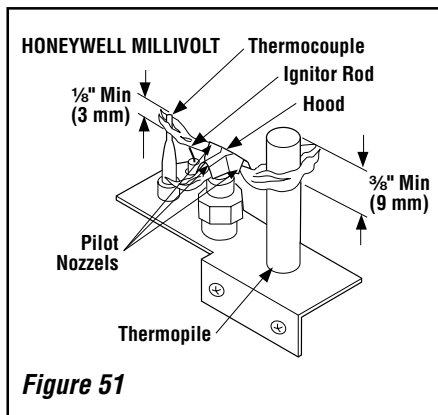


Figure 51

### Electronic Appliance Checkout

To light the burner, turn 'ON' the optional remote wall switch, and turn the gas control switch to the "ON" position. Ensure the ignitor lights the pilot. The pilot flame should engulf the flame rod as shown in **Figure 52**.

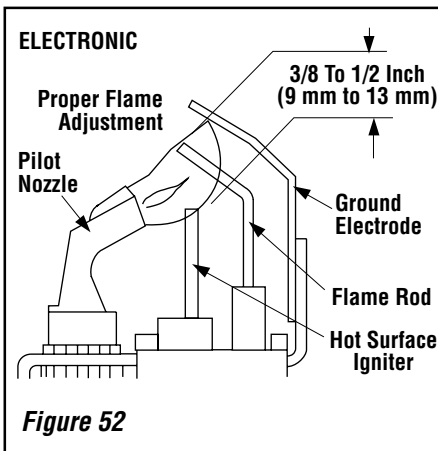


Figure 52

## Step 9. INSTALLING THE GLASS DOOR

Retrieve the glass door. Visually inspect the gasket on the backside of the frame. Gasket surface must be clean, free of irregularities and seated firmly.

Position the door in front of the firebox opening with the bottom of the door held away from the fireplace (**Figure 53**). Hook the top flange of the door frame over the top of the firebox frame.

Let the bottom of the door frame swing gently in towards the fireplace ensuring that the gasket seats evenly as the door frame draws shut. Fasten the two latches located underneath the firebox floor to the door's vee-flange. Close both the latches securely.

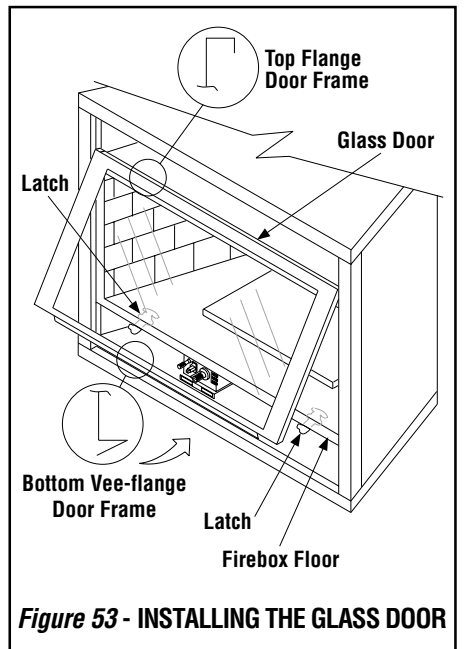


Figure 53 - INSTALLING THE GLASS DOOR

**WARNING: HANDLE THIS GLASS WITH EXTREME CARE! THE GLASS PANEL IS SUSCEPTIBLE TO DAMAGE — DO NOT SCRATCH WHILE HANDLING OR WHILE RE-INSTALLING THE GLASS DOOR FRAME.**

**WARNING: NEVER OPERATE THE APPLIANCE WITHOUT THE FRONT GLASS ENCLOSURE PANEL IN PLACE AND SECURE.**

## Step 10. BURNER ADJUSTMENTS

### Flame Appearance and Sooting

Proper flame appearance is a matter of taste. Generally, most people prefer the warm glow of a yellow to orange flame. Appliances operated with air shutter openings that are too large will exhibit flames that are blue and transparent. These weak, blue and transparent flames are termed anemic. If the air shutter opening is too small sooting may develop.

Sooting is indicated by black puffs developing at the tips of very long orange flames. Sooting results in black deposits forming on the logs, appliance inside surfaces and on exterior surfaces adjacent to the vent termination. Sooting is caused by incomplete combustion in the flames and lack of combustion air entering the air shutter opening. To achieve a warm yellow to orange flame with an orange body that does not soot, the shutter opening must be adjusted between these two extremes.

No smoke or soot should be present. Reposition the logs if flames impinge on any of them. If the logs are properly positioned and sooting conditions exist, the air shutter opening on the main burner tube should be adjusted. Normally, the more offsets in the vent system, the greater the need for the air shutter to be opened further.

### Burner Adjustment

**WARNING: AIR SHUTTER ADJUSTMENT SHOULD ONLY BE PERFORMED BY A QUALIFIED PROFESSIONAL SERVICE TECHNICIAN.**

**IMPORTANT: ENSURE THAT THE FRONT GLASS PANEL IS IN PLACE AND SEALED DURING ADJUSTMENT.**

**CAUTION: THE AIR SHUTTER DOOR AND NEARBY APPLIANCE SURFACES ARE HOT. EXERCISE CAUTION TO AVOID INJURY WHILE ADJUSTING FLAME APPEARANCE.**

To adjust the flame, move the adjustment rod (located in the lower control area) up or down to increase or reduce the air shutter opening, respectively. **Initially, always position the air shutter to the factory setting (the minimum air opening position) as shown in Figure 54.** This can be done by pulling the adjustment rod all the way down.

Allow the burner to operate for at least 15 minutes. Observe the flame continuously. If it appears weak or sooty as previously described, adjust the air shutter by pushing or pulling on the adjustment rod until the flame appearance is as desired.

The adjustment rod and associated adjustable air shutter is patented technology. Flame adjustments can be made quickly and accurately to taste without the need of disassembling the appliance and waiting for 30 minutes after each adjustment.

**Note: If the flame still appears anemic with the air shutter closed all the way against the stop (usually a result of lengthy vertical runs), turn the appliance off, turn the gas supply off, wait for the parts to cool, remove the glass door and logs to access the air shutter. The shutter is prevented from actually closing all the way by an adjustment set screw (see Figure 54). Remove this screw using a 1/4 inch nut driver. Reinstall the logs and glass door, turn the gas back on and then restart the appliance. After 30 minutes, reobserve the flame. Adjust the air shutter as previously described.**

When satisfied that the appliance operates properly, proceed to finish the installation. Leave the control knob in the ON position and the remote switch OFF. Close the lower control compartment door.

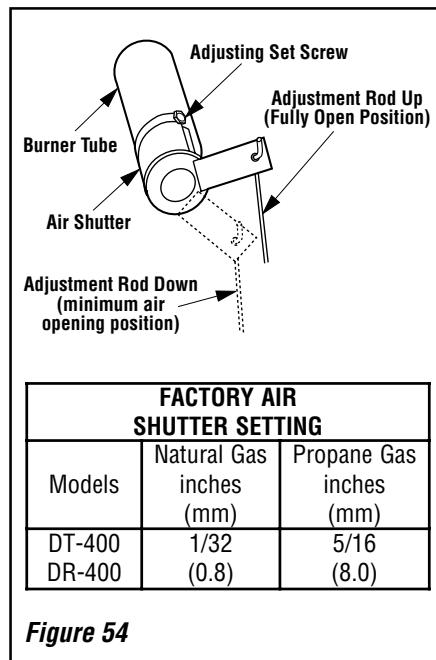


Figure 54

NOTE: DIAGRAMS & ILLUSTRATIONS NOT TO SCALE.

## Step 11. HOOD INSTALLATION

**All of these appliances must have hoods installed prior to operating.**

On all clean face units, slide the hood into the slots on the lower edge of the radiant panel (Figure 55).

On louvered face units, slide the hood into the slots on the lower edge of the cabinet top (Figure 56).

## FINISHING REQUIREMENTS

### Wall Details

Complete finished interior wall. To install the appliance facing flush with the finished wall, position framework to accommodate the thickness of the finished wall (Figures 55 and 56).

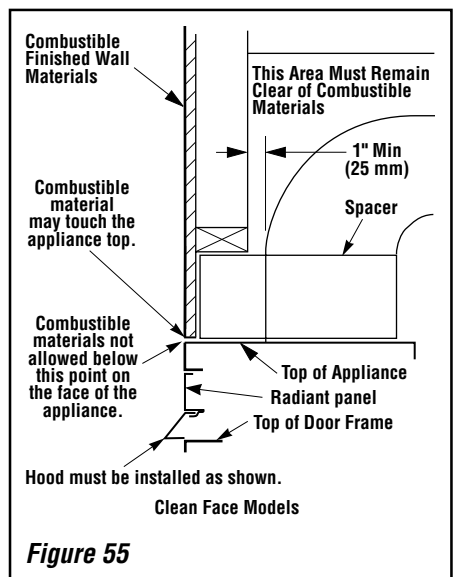


Figure 55

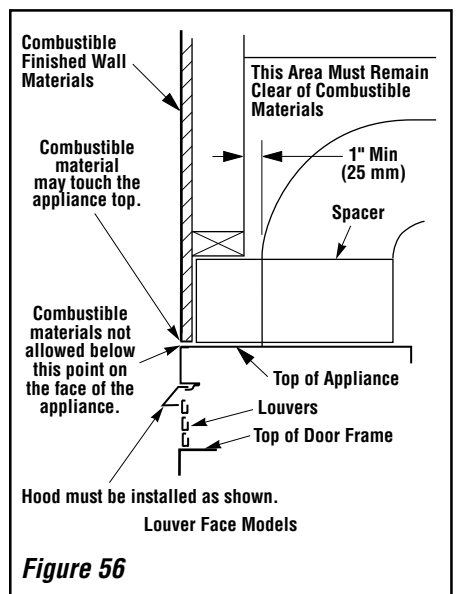


Figure 56

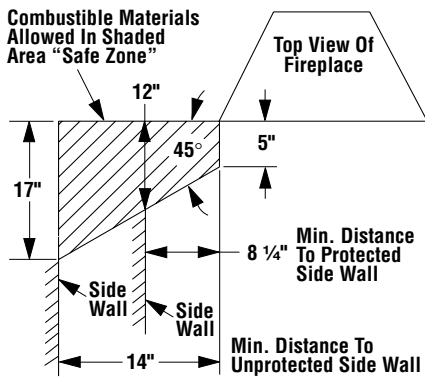
A hearth extension is not required with this appliance. If a hearth extension is used, do not block the lower control compartment door. Any hearth extension used is for appearance only and does not have to conform to standard hearth extension installation requirements.

**Note:** Combustible wall finish materials and/or surround materials must not be allowed to encroach the area defined by the appliance front face (black sheet metal). Never allow combustible materials to be positioned in front of or overlapping the appliance front face. See **Figures 55 and 56 on page 23**.

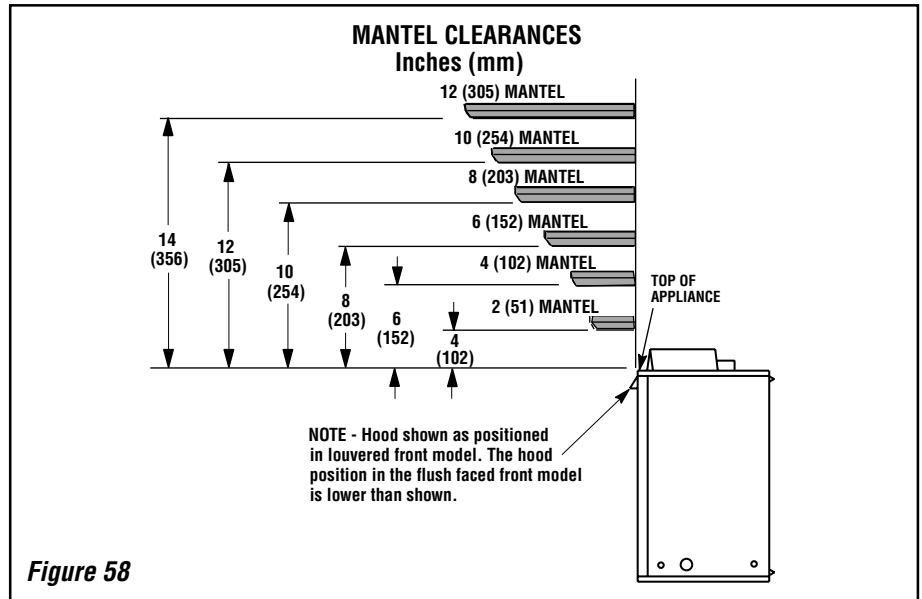
Non-combustible materials, such as surrounds and other appliance trim, may be installed on the appliance front face with these exceptions: they must not cover any portion of the glass or louvers; they may cover any portion of the top radiant panel or the air gaps surrounding the top radiant panel up to the installed hood.

Vertical installation clearances to combustible mantels vary according to the depth of the mantel. (See **Figure 58**). Mantels constructed of non-combustible materials may be installed at any height above the appliance opening; however, do not allow anything to hang below the hood.

Combustible materials may project beyond the sides of the fireplace opening as long as they are kept within the shaded areas illustrated in **Figure 57**.



**Figure 57**



**Figure 58**

## COLD CLIMATE INSULATION

If you live in a cold climate, seal all cracks around your appliance with noncombustible material and wherever cold air could enter the room. It is especially important to insulate outside chase cavity between studs and under floor on which appliance rests, if floor is above ground level.

## INSTALLATION ACCESSORIES


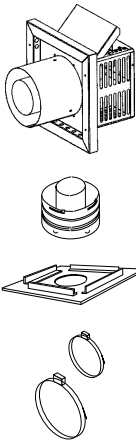

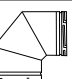
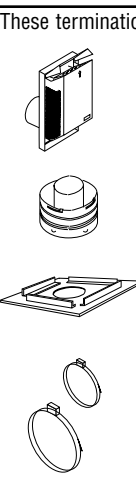
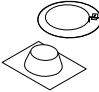
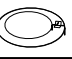

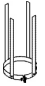

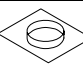

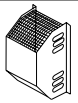
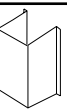
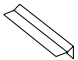

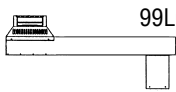
Listed <b>Secure Vent™</b> Components			
	Cat. No.	Model No.	Description
	86L95	SV4.5HTR	Horizontal Round Termination with Firestop/Spacer (96K80) and Adapter (74L61)
	98L27	SV4.5HTSSL	Horizontal Long Small Square Termination with Firestop/Spacer (96K80) and 12 in. (305 mm) vent section (77L71)
	86L97	SV4.5HTS	Horizontal Square Termination with Firestop/Spacer (96K80) and Adapter (74L61)
	94L10	SV4.5HTSS	Horizontal Short Square Termination with Firestop/Spacer (96K80) and Adapter (74L61)
	H2152	SV4.5CGV-1	Vertical Termination

Listed <b>Secure Flex™</b> Components			
	Cat. No.	Model No.	Description
These termination kits include firestop/spacer, gear clamps and flex adapter.			
	86L94	SF-HTR	Horizontal Round Termination without Flex
	77L82	SFKIT12R	Flex Round Term. with 12 in. (305 mm) of *compressed Flex
	77L83	SFKIT18R	Flex Round Term. with 18 in. (457 mm) of *compressed Flex
	77L84	SFKIT24R	Flex Round Term. with 24 in. (610 mm) of *compressed Flex
	77L85	SFKIT36R	Flex Round Term. with 36 in. (914 mm) *compressed Flex
	77L86	SFKIT48R	Flex Round Term. with 48 in. (1219 mm) of *compressed Flex
	87L01	SFHRK	Snorkel Riser Kit with Flex Adapter, a section of Flex, and Gear Clamps
	19M40	SF4.5HF	Firestop/Spacer-Horizontal (3-1-1 spacing)
	19M41	SF4.5BF	Firestop/Spacer-Vertical (1-1-1 spacing)

\* All compressed flex vents can be expanded up to two times.



## INSTALLATION ACCESSORIES (Continued)

Listed <b>Secure Vent™</b> Components				Listed <b>Secure Flex™</b> Components			
	Cat. No.	Model No.	Description		Cat. No.	Model No.	Description
	77L70	SV4.5L6	6 inch (152 mm) Vent Section		These termination kits include firestop/spacer, gear clamps and flex adapter.		
	77L71	SV4.5L12	12 inch (305 mm) Vent Section		94L09	SF-HTSS	Horizontal Short Small Square Termination without Flex
	77L72	SV4.5L24	24 inch (610 mm) Vent Section		94L04	SFKIT12S-S	Flex Short Small Square Term. with 12 in. (305 mm) of *compressed Flex
	77L73	SV4.5L36	36 inch (914 mm) Vent Section		94L05	SFKIT18S-S	Flex Short Small Square Term. with 18 in. (457 mm) of *compressed Flex
	77L74	SV4.5L48	48 inch (1219 mm) Vent Section		94L06	SFKIT24S-S	Flex Short Small Square Term. with 24 in. (610 mm) of *compressed Flex
	77L75	SV4.5LA	Telescopic Section		94L07	SFKIT36S-S	Flex Short Small Square Term. with 36 in. (914 mm) of *compressed Flex
	77L76	SV4.5E45	45 Degree Elbow		94L08	SFKIT48S-S	Flex Short Small Square Term. with 48 in. (1219 mm) of *compressed Flex
	77L77	SV4.5E90	90 Degree Elbow		These termination kits include firestop/spacer, gear clamps and flex adapter.		
The following flashings come packaged with a storm collar.					86L96	SF-HTS	Horizontal Square Termination without Flex
	91L01	SV4.5F-B	Flat Roof Flashing		77L87	SFKIT12S	Flex Square Term. with 12 in. (305 mm) of *compressed Flex
	91L02	SV4.5FA-B	1/12 to 7/12 Adjust. Flashing		77L88	SFKIT18S	Flex Square Term. with 18 in. (457 mm) of *compressed Flex
	91L03	SV4.5FB-B	7/12 to 12/12 Adjust. Flashing		77L89	SFKIT24S	Flex Square Term. with 24 in. (610 mm) of *compressed Flex
	77L81	SV4.5SC6	Storm Collars (6 collars/box)		77L90	SFKIT36S	Flex Square Term. with 36 in. (914 mm) of *compressed Flex
	96K80	SV4.5HF	Firestop/Spacer - Horizontal (3-1-1 spacing)		77L91	SFKIT48S	Flex Square Term. with 48 in. (1219 mm) of *compressed Flex
	96K87	SV4.5BF	Firestop/Spacer - Vertical (1-1-1 spacing)		56L74	SFVT30	Vertical Termin. for Flex (flat to 6/12) with Flex Adapter, section of rigid vent, roof support collar assembly, roof flashing and storm collar.
	96K93	SV4.5SU	Support Strap		56L75	SFVT45	Vertical Termin. for Flex (6/12 to 12/12) with Flex Adapter section of rigid vent, roof support collar assembly, roof flashing and storm collar.
	96K94	SV4.5RSA	Attic Insulation Shield		60L10	SF-18	18 ft. (5.49 m) *compressed Flex
	96K92	SV4.5SP	Support Plate		98K03	SF-12	12 ft. (3.66 m) *compressed Flex
	97K00	SV4.5HGR	Heat Guard Round	10K81	SFMP	Mil Pac Black Hi-Temperature Sealant	
	87L02	SV4.5HGS	Heat Guard Square	88J01	SF-GC4	Gear Clamp 4.5in. (114 mm) for Flex	
	17M52	SV4.5 HGS-1	Heat Guard Square (1 - Pack)	83J00	SF-GC7	Gear Clamp 7.5 in. (190.5 mm) for Flex	
	17M53	SV4.5 HGS-12	Heat Guard Square (12 - Pack)	87L00	SF4.5RF	Flex Adapter	
	96K98	SV4.5HDR	Heat Deflector for Round Termination				
	86L98	SV4.5RFF	Adapter - Crimped Fireplace Collar to Secure Vent				
	99L03	SV4.5HRK36	Horizontal Riser Kit 36"				
	99L02	SV4.5HRK14	Horizontal Riser Kit 14"				

\* All compressed flex vents can be expanded up to two times.

NOTE: DIAGRAMS & ILLUSTRATIONS NOT TO SCALE.

## GAS CONVERSION KITS

**WARNING: THIS CONVERSION KIT SHALL BE INSTALLED BY A QUALIFIED SERVICE AGENCY IN ACCORDANCE WITH THE MANUFACTURER'S INSTRUCTIONS AND ALL APPLICABLE CODES AND REQUIREMENTS OF THE AUTHORIZED AGENCY HAVING JURISDICTION. IF THE INFORMATION IN THESE INSTRUCTIONS IS NOT FOLLOWED EXACTLY, A FIRE, EXPLOSION OR PRODUCTION OF CARBON MONOXIDE MAY RESULT CAUSING PROPERTY DAMAGE, PERSONAL INJURY OR LOSS OF LIFE. THE INSTALLATION IS NOT PROPER AND COMPLETE UNTIL THE OPERATION OF THE CONVERTED APPLIANCE IS CHECKED AS SPECIFIED IN THE OWNER INSTRUCTIONS SUPPLIED WITH THE KIT. THE QUALIFIED SERVICE AGENCY PERFORMING THIS INSTALLATION ASSUMES RESPONSIBILITY FOR THIS CONVERSION.**

**AVERTISSEMENT: CET ÉQUIPEMENT DE CONVERSION SERA INSTALLÉ PAR UNE AGENCE QUALIFIÉE DE SERVICE CONFORMÉMENT AUX INSTRUCTIONS DU FABRICANT ET TOUTES EXIGENCES ET CODES APPLICABLES DE L'AUTORISÉS AVOIR LA JURISDICTION. SI L'INFORMATION DANS CETTE INSTRUCTION N'EST PAS SUIVIE EXACTEMENT, UN FEU, EXPLOSION OU PRODUCTION DE PROTOXYDE DE CARBONE PEUT RÉSULTER LE DOMMAGES CAUSER DE PROPRIÉTÉ, PERTE OU BLESSURE PERSONNELLE DE VIE. L'AGENCE QUALIFIÉE DE SERVICE EST ESPONSABLE DE L'INSTALLATION PROPRE DE CET ÉQUIPEMENT. L'INSTALLATION N'EST PAS PROPRE ET COMPLÈTE JUSQU'À L'OPÉRATION DE L'APPAREIL CONVERTI EST CHÉQUE SUIVANT LES CRITÈRES ÉTABLIS DANS LES INSTRUCTIONS DE PROPRIÉTAIRE PROVISIONNÉES AVEC L'ÉQUIPEMENT.**

### In Canada:

THE CONVERSION SHALL BE CARRIED OUT IN ACCORDANCE WITH THE REQUIREMENTS OF THE PROVINCIAL AUTHORITIES HAVING JURISDICTION AND IN ACCORDANCE WITH THE REQUIREMENTS OF THE CAN1-B149.1 AND .2 INSTALLATION CODE.

LA CONVERSION DEVRA ÊTRE EFFECTUÉE CONFORMÉMENT AUX RECOMMANDATIONS DES AUTORITÉS PROVINCIALES AYANT JURISDICTION ET CONFORMÉMENT AUX EXIGENCES DU CODE D'INSTALLATION CAN1-B149.1 ET.2.

Gas conversion kits are available to adapt your appliance from the use of one type of gas to the use of another. These kits contain all the necessary components needed to complete the task including labeling that must be affixed to ensure safe operation.

Kit part numbers are listed here and the following steps detail the conversion procedure.

**Step 1.** Turn off the gas supply to the appliance. Remove the front glass door/frame from the appliance. Access the control compartment.

**Step 2.** Carefully remove the logs. *Exercise care as not to break the logs.*

**Step 3.** Locate the screws securing the burner (tray) to the appliance. Remove the burner and retain the securing screws.

### Natural To Propane Gas Conversion Kit (SIT Systems)

Models No.	Unit Type	Catalog No.
DT-400	millivolt	H1594
DR-400	millivolt	H1594
DT-400	electronic	99L90
DR-400	electronic	99L90

### Propane to Natural Gas Conversion Kit (SIT Systems)

Model No.	Unit Type	Catalog No.
DT-400	millivolt	H1595
DR-400	millivolt	H1595
DT-400	electronic	99L91
DR-400	electronic	99L91

### Step 4. Millivolt Appliances - SIT Systems

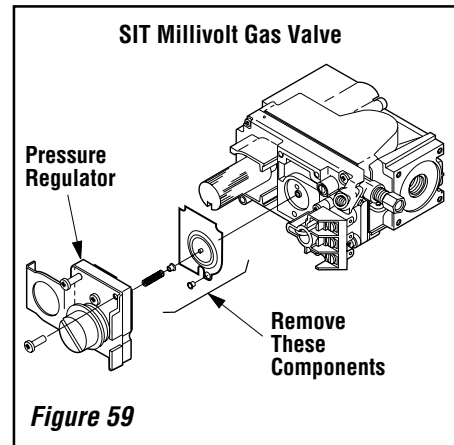
a. See **Figure 59** and the instructions provided with the kit. Using a Torx T20, remove and discard the three pressure regulator mounting screws. Remove the pressure regulator, spring, poppet, diaphragm and bushing. **Discard all removed components.** Ensure the rubber gasket installed on the back of the replacement pressure regulator is properly positioned and install the new pressure regulator using the new screws supplied with the kit. Tighten screws to 25 In. lb. torque.

### Natural To Propane Gas Conversion Kit (Honeywell Systems)

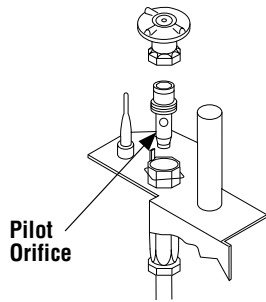
Models No.	Unit Type	Catalog No.
DT-400	millivolt	26M51
DR-400	millivolt	26M51
DT-400	electronic	99L90
DR-400	electronic	99L90

### Propane to Natural Gas Conversion Kit (Honeywell Systems)

Model No.	Unit Type	Catalog No.
DT-400	millivolt	26M55
DR-400	millivolt	26M55
DT-400	electronic	99L91
DR-400	electronic	99L91



**Pilot for SIT Millivolt Gas Valve**



**Figure 60**

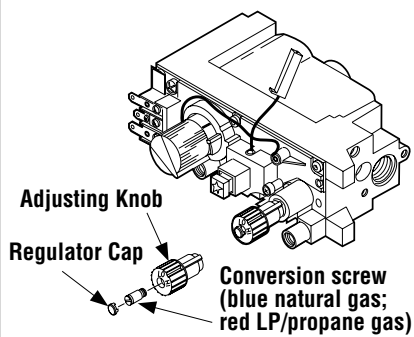
b. Attach manometer to the manifold side pressure test fitting and verify manifold pressure reads 3.5 inches water column (0.87 kPa) for natural gas, and 10.0 inches water column (2.49 kPa) for propane gas.

c. Refer to **Figure 60** and remove the pilot hood assembly to access the hexed pilot orifice. Remove and replace the orifice with the one provided with the kit.

**Step 5. Millivolt Appliances - Honeywell Systems**

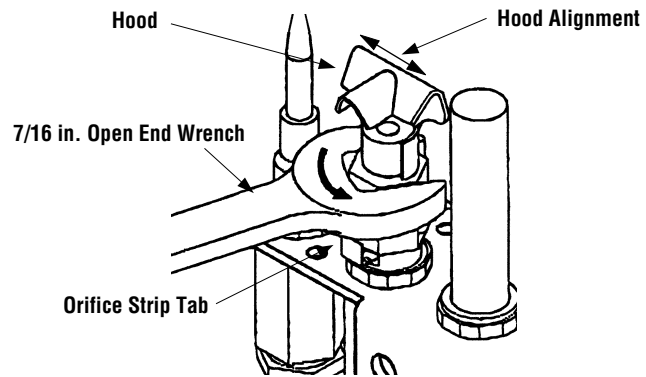
a. Convert the gas valve as follows (see **Figure 61**): Remove the plastic protecting cap. Remove the gas type setting screw by turning it counter-clockwise. Obtain the replacement gas type setting screw from the kit and screw it into place (red for propane and blue for natural gas). Tighten the gas type setting screw by turning it clockwise. Replace the plastic protecting cap.

**Honeywell Millivolt Gas Valve**



**Figure 61**

**Pilot for Honeywell Millivolt Gas Valve (Loosening of Hex Fitting For Orifice Strip Tab Positioning)**

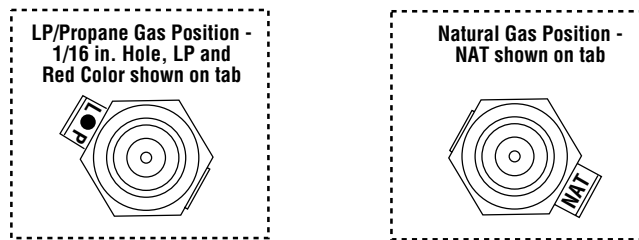


Take Care Not to Contact the Orifice Strip Tab with the Hex Fitting Wrench - Distortion of the Tab May Render the Pilot Inoperative.

**Figure 62**

**Pilot for Honeywell Millivolt Gas Valve**

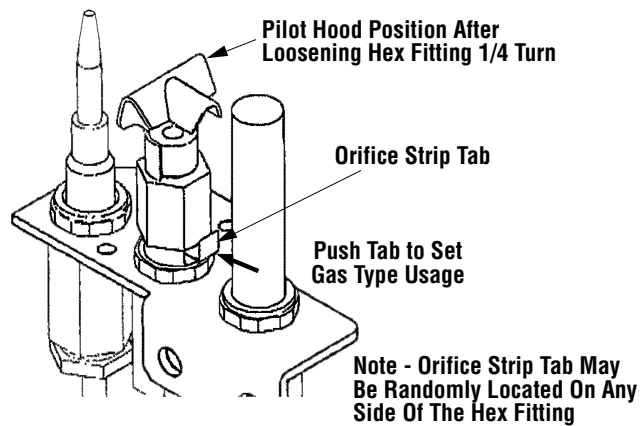
**Orifice Strip Tab Position Identification For LP/Propane and Natural Gas**



**Figure 63**

Top View of Hex Fitting and Orifice Strip Tab

**Pilot for Honeywell Millivolt Gas Valve Orifice Strip Tab Positioning**



**Figure 64**

b. Attach manometer to the manifold side pressure test fitting and verify manifold pressure reads 3.5 inches water column (0.87 kPa) for natural gas, and 10.0 inches water column (2.49 kPa) for propane gas.

c. Convert the pilot orifice as follows (refer to Figures 62, 63 and 64):

**Note - Use extra care not to engage the orifice strip with the 7/16" open end wrench (contacting the orifice strip could cause strip distortion rendering the pilot inoperative). Also avoid wrench contact to any of the other pilot parts.**

Use a 7/16" open end wrench and turn the pilot hex fitting counter-clockwise 1/4 turn. (refer to Figure 62).

**Note - The orifice strip tab may be randomly located on any side of the hex fitting.**

d. Push the orifice strip tab all the way against the hex fitting to align the appropriate gas type orifice (refer to Figures 63 and 64). The type of gas for which the pilot is set, is, the gas type shown on the tab.

e. Retighten, clockwise, the pilot hex fitting until the pilot hood aligns with the thermocouple and thermopile as indicated by the arrows shown in Figure 62.

### Step 6. Electronic Appliances - Honeywell Systems

See Figure 65 and the instructions provided with the kit. Remove the slotted cap screw, o-ring, pressure-regulating adjusting screw and spring. Retain all parts for possible later use. Install new components from the kit. Black cap and red spring for propane gas units. Silver cap and stainless steel spring for natural gas units. Before installing the cap, attach manometer to the manifold side pressure test fitting and adjust screw until pressure reads 3.5 inches water column (0.87 kPa) for natural gas, and 10.0 inches water column (2.49 kPa) for propane gas.

See Figure 66 and replace the pilot orifice as follows: Remove the ignitor assembly retainer clip, and carefully remove the ignitor assembly. Exercise extreme care to prevent damage to or breakage of the ignitor assembly.

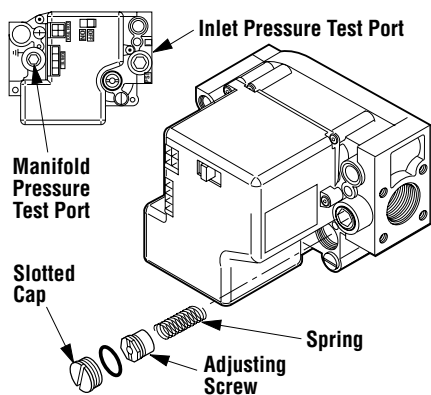
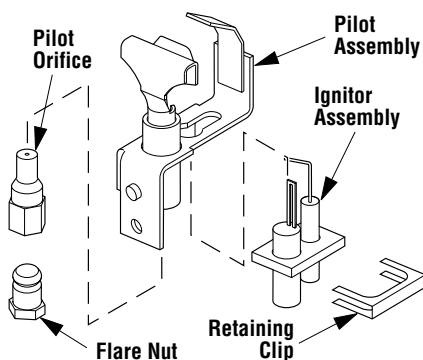


Figure 65

Remove the screw securing the pilot assembly to its mounting bracket. Back off the flare nut at the end of the pilot gas line to free the pilot assembly from the gas line.

Remove the pilot orifice and replace it with the one provided with the conversion kit. Reinstall the pilot assembly by reversing the steps detailed here.

**When reinstalling the ignitor assembly, use extreme care to prevent damage and breakage. Do not apply any leverage to the ignitor assembly while restoring the retainer clip to its original position.**



**Note: If the ignitor is damaged, a replacement kit is available - order Catalog Number 87L54.**

Figure 66

### All Models

**Step 7.** Remove the orifice from the manifold and replace it with the one provided with the kit. See the following table for orifice sizes for natural and propane models. Figure 67 illustrates the orifice.

Model No.	Orifice size	
	Natural	Propane
DT-400	#45	0.048 inch
DR-400		

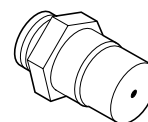


Figure 67

**Step 8.** Reassemble all removed components by reversing the procedures outlined in the preceding steps. Use pipe joint compound or Teflon tape on all pipe fittings before installing (ensure propane resistant compounds are used in propane applications, do not use pipe joint compounds on flare fittings).

**Step 9.** Attach the conversion label provided in the conversion kit to the rating plate on the appliance.

**Step 10.** Turn on gas supply and test for gas leaks.

NOTE: DIAGRAMS & ILLUSTRATIONS NOT TO SCALE.

The manufacturer reserves the right to make changes at any time, without notice, in design, materials, specifications, prices and also to discontinue colors, styles and products. Consult your local distributor for fireplace code information.