

QTFX-V1

Smoke Machine User Manual

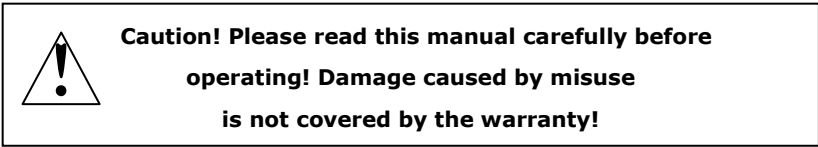
WWW.QTXLIGHT.CO.UK

Copyright protected by QTX Light

160.456UK

Version 1.1

QTFX-V1 Smoke Machine – For indoor use only



1. General Introduction :

This unique smoke machine is the first of its kind in that it can be operated horizontally, vertically or hung upside down from trussing. With a 1300W heater and high-pressured pump, it can produce around 20,000 Cu Ft (566m³) of smoke per minute and project up to a height of 5m. It can be operated by the wireless remote or by a single channel on DMX. As with other QTFX smoke machines, this unit features MIRROR piping patent technology to reduce the rate of jamming, and the special microcomputer control system maintains a high temperature allowing the unit to run efficiently for long periods of time.

Features :

- Can be operated horizontally or vertically
- Mounted points for hanging from trussing upside down (please follow instructions)
- Conveniently placed carry handle
- Operated by wireless remote control
- 1 channel DMX
- Master & Slave mode
- Large tank capacity 2.5 litres
- Anti-jamming pipe technology



Effects Fluid Chart

Bubble Fluid

Description	Results	Bottle Volume	Item Reference	Suitable for use with
Bubble fluid	Lightweight bubbles that last longer	1 Litre 5 Litre	160.574UK 160.575UK	All makers of bubble machines: QTX LIGHT FX machines: 160.562UK, 160.573UK, 160.571UK, 160.570UK
UV bubble fluid	Lightweight bubbles that glow when under UV Light	1 Litre 5 Litre	160.576UK 160.577UK	

Snow Fluid

Description	Results	Bottle Volume	Item Reference	Suitable for use with:
Snow Fluid	High quality snow lasts 30% longer than other standard fluids	1 Litre 5 Litre	160.578UK 160.579UK	QTX LIGHT FX Snow machine, 160.568UK and all other makers of snow machines

Smoke Fluid

Description	Fluid Colour	Results			Bottle Volume	Item Reference	For use with:
		Dispersion	Density	Stability			
Standard smoke fluid	Yellow	Quick	Light	Low	1 Litre 5 Litre	160.643UK 160.582UK	QTX LIGHT FX Smoke machines: 160.452UK, 160.543UK, 160.449UK, 160.428UK, 160.429UK, 160.430UK and for all makers of smoke machines. (for best results use any machine up to 900W)
High grade smoke fluid	Orange	Slow	Medium	Good	1 Litre 5 Litre	160.587UK 160.588UK	QTX LIGHT FX Smoke machines: 160.455UK, 160.437UK, 160.446UK and for all other makers of smoke machines. (For the best results use with machines between 1000 - 5000W)
High quality smoke fluid	Pink	Slow	High	Good	5 Litre	160.583UK	All smoke machines
Premium smoke fluid	Clear	Slow	V. High	V. Good	5 Litre	160.589UK	
Smoke machine cleaner	Clear	Longer life from your smoke machine			20ml	160.670UK	

Haze

Description	Fluid Colour	Results			Bottle Volume	Item Reference	For use with:
		Dispersion	Density	Stability			
High quality haze fluid	Clear	Slow	High	Good	1 Litre 5 Litre	160.590UK 160.591UK	QTX LIGHT FX Haze machines: 160.451UK, 160.454UK and any other maker of heater type Haze machines



14. Technical specification :

Power supply	230Vac, 50Hz
Fuse	F7A
Power	1300W
Re-heat time	4 min (approx)
Smoke Output	20,000 Cu Ft (1,132m ³)
Tank capacity	2.5 Litres
Dimensions	341 x 345 x 194mm
Weight	7.8kg

15. Disposal :



Please disposal of the unserviceable device according to the current statutory requirements.

2. Package Contents :

Please check the contents to ensure that the product has been received in good condition.

QTFX-V1 Smoke Machine x 1pcs	User's Guide x 1pcs
Power Cord x 1pcs	Wireless remote control x 1pcs

If you find any accessory is missing or the machine has arrived with any problems, please contact your local dealer at once. Do not try to fix this item yourself or you will lose the warranty. Please keep the original package and invoice for any possible replacement or returned demand.

3. Recommended Fluid:

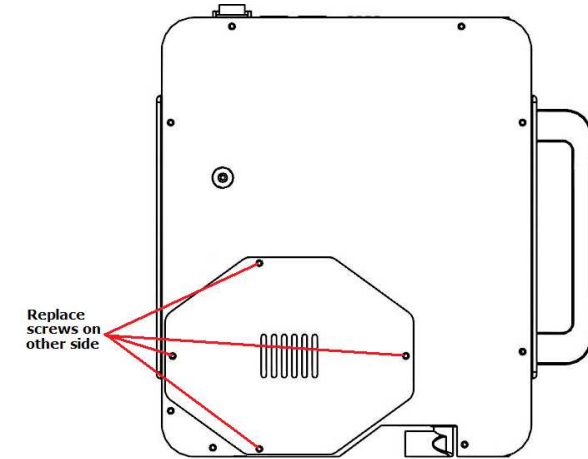
For the QTFX-V1 smoke machine we strongly recommend the following fluids which have been specifically formulated to perform best in any smoke machines with a power rating between 1000 – 3000W.

QTX Ref	Description	Size	Results
160.644UK	High quality smoke fluid	1L	High quality ultra fine mist
160.583UK		5L	
160.589UK	Premium smoke fluid	5L	Premium mist
160.594UK	Vapour blast fluid	1L	CO2 Blast type effect
160.595UK		5L	

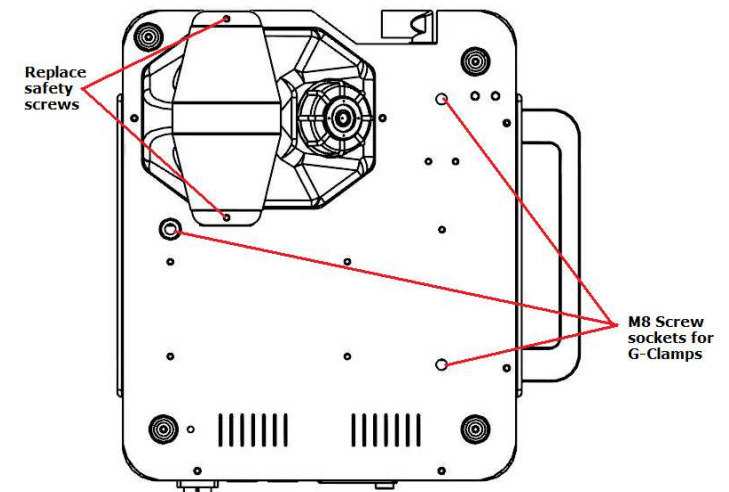
4. Setup :

1. Unpack the fog machine
2. Unscrew the top cap of the tank and remove to fill with the recommended smoke fluid
3. Replace the bottle and screw the cap securely ensuring the pipe is fed down to the bottom of the bottle so a consistent flow of fluid is supplied to the machine
4. Connect the remote control
5. Connect the IEC mains plug and power up
6. Heat up time is usually around 4 minutes. Please ensure no button is pressed during the heat up time. When the machine is ready the word "HEAT" will disappear from the control display.
7. Press the button on the remote control for 5 seconds so the fluid has a chance to flow through the heater block making it ready to use..
8. After this you will be able to use the smoke machine. It is recommended to produce smoke with small pauses in between so that the temperature is maintained and the thermostat doesn't switch off.

- 3) Once released turn the machine round again and fit the bottle panel on the top side securely.

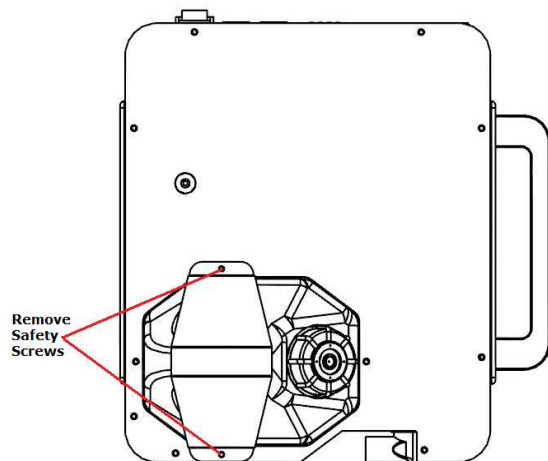


- 4) Turn the machine upside down again and fit the bottle securing the bottle lock. Fit your G Clamps in the highlighted M8 screw sockets.

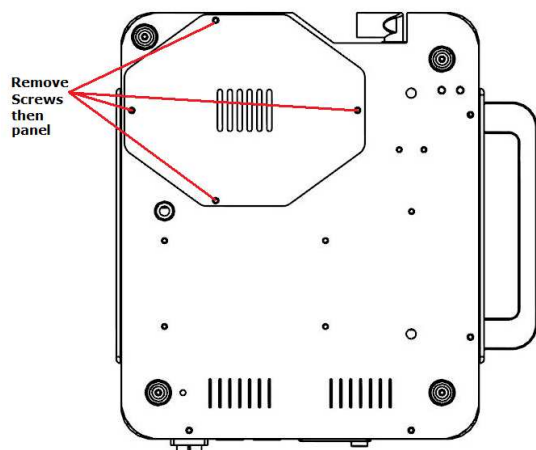


16. How to mount to trussing:

- 1) Remove the bottle from the machine.



- 2) Turn the machine upside down and remove the 4 highlighted screws to release the bottle panel.

**5. Mounting instruction :**

The fixture may be mounted in any position provided there is adequate room for ventilation and the fluid can not leak.

It is important never to obstruct the front of the machine, fan or vents pathway. Mount the fixture using a clamp.

Adjust angle of the fixture loosening both knobs and tilting the fixture. After finding desired position, re-tighten both knobs.

When selecting installation location, take into consideration refilling the tank and routine maintenance. Safety cables must always be used.

Never mount in places where the fixture will be exposed to rain, high humidity, extreme temperatures changes or restricted ventilation. Also do not mount so vertically over people as occasionally condensation builds up and the fluid can be quite hot.

6. Caution! To prevent Mortal Electrical Risk and Long Life Operation :


For your safety, please kindly pay attention to all of the warnings listed below:

- Always plug in the power plug last and disconnect from the mains when the device is not in use or before cleaning.
- Do not install and operate the device in rain or extreme heat, moisture or dusty environments.
- This device is for indoor use only and in a dry environment.
- Do not switch on immediately but wait until it reaches to room temperature if the device has been exposed to drastic temperature fluctuations.
- Do not shake the device and avoid brute force when installing or operating.

- Do not use the device during thunderstorms and please disconnect the power.
- Do not use solvents or aggressive detergent to clean the device. Use a soft and clean cloth.
- Do not modify the device or the connected power cord without authorization.
- Use appropriate safety-rope for safety.
- Clean the machine regularly using water or smoke cleaning fluid (160.670).

7. Connect with power supply - The ground wire must be connected :

Use the plug to connect to the main power supply as following.

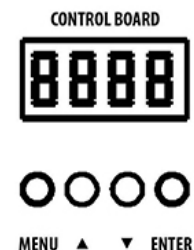
Wire	Connection	International signal
Brown	Live	L
Blue	Neutral	N
Yellow /Green	Earth	

8. Quick Trouble Shooting :

If the unit is not functioning properly

- 8.1 Check if main power is on and fuse hasn't blown
- 8.2 The remote control is plugged in correctly in to the socket
- 8.3 Check there is fluid in the tank
- 8.4 Check that the pipe is pushed down to the bottom of the tank
- 8.5 Check the correct fluid has been used.
- 8.6 If there is a block use distilled water or smoke machine cleaning fluid.

14. Control Display:



- MENU: Press to access the menu functions
- UP: Scroll up through the options
- DOWN: Scroll down through the options
- ENTER: Confirm a selection

Display	Description
HEAT	The smoke machine is warming up. This usually happens when the unit is first turned on or is re-heating.
Addr	Set the DMX Address 000 - 512
rEno	Turns the wireless remote on or off
orL	Turns the fluid level sensor on or off

15. DMX Operation:

DMX channel	DMX Scale	Detail function
CH 1	000 - 005	0% Output
	006 - 255	100% Output

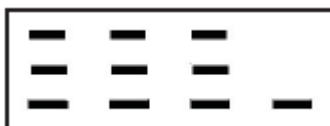
13. Wireless Remote Control:



Press the ON button to turn on the continuous out put from the smoke machine and the OFF button to stop all output.

If the remote is not working then you may need to pair the wireless controller with the smoke machine.

Ensure the wireless remote mode is turned on (see next section) Turn on the machine and the LCD display will show as below.



During this time press and hold any button on the wireless controller until the display flashes twice to indicate a match. (Note this can take up to 12 seconds)

Once this has been done the wireless remote frequency will be stored and there will be no need to do this again.

9. Replacing Fuse :

Disconnect from the main power supply first, then remove the fuse holder above the IEC Socket to reveal the fuse. Replace the correct fuse rating as stated on lighting or user guide. Then, lock the fuse holder cover back into place.

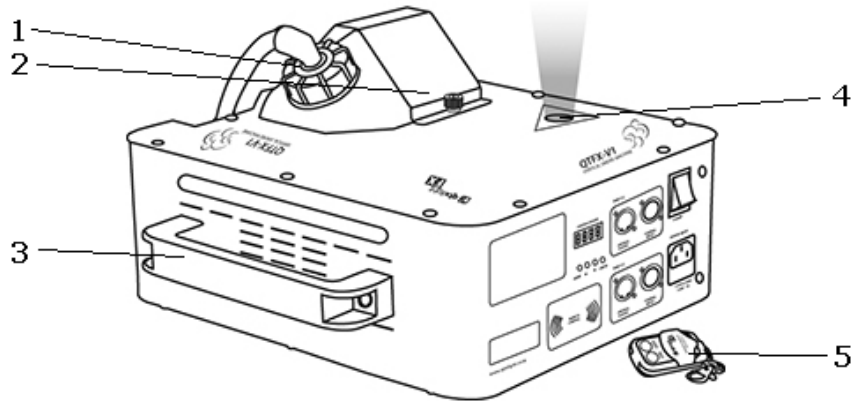
10. General Maintenance :

To maintain optimum performance and minimize wear, the item should be cleaned frequently. Usage and environment are contributing factors in determining frequency. As a general rule, fixtures should be cleaned after use to avoid dust build-up and blockages, which can result in poor performances, overheating and breakages. Be sure to power off the fixture before conducting maintenance.

Unplug fixture from power. Use a vacuum or air compressor and a soft brush to remove dust collected on external vents and internal components. Clean the external case when the fixture is cold with a dry cloth or tissue, and drag dirt and grime to the outside case.

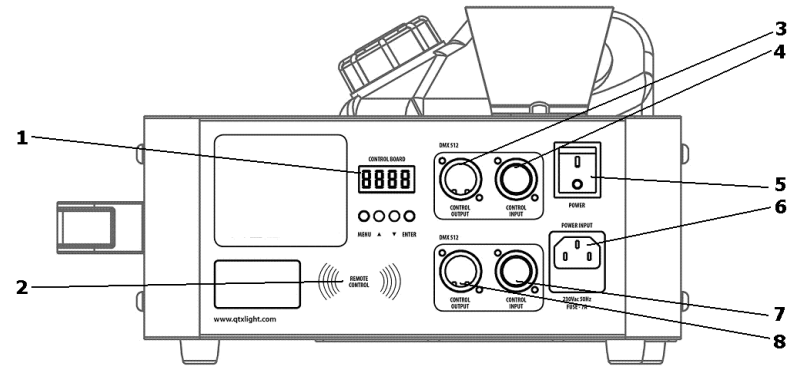
To ensure a continuing high performance it is recommended to use water or smoke cleaning fluid (160.670) to clean the internal workings. Simply empty the tank of any smoke fluid. Fill with water or smoke cleaning fluid then operate two full cycles to clean the internal pipes this should be done once every 2 months to ensure continuing high performance

11. Layout:



- 1) 2.5l Storage Bottle
- 2) Bottle safety lock
- 3) Carry Handel
- 4) Smoke Output
- 5) Wireless remote

12. Rear Layout:



- 1) LED Display
- 2) Built in wireless receiver
- 3) DMX OUT (3 Pin)
- 4) DMX IN (3 Pin)
- 5) Power ON/OFF
- 6) IEC Power Input
- 7) DMX OUT (5 Pin)
- 8) DMX IN (5 Pin)