

E10A-USB Optional 38-Pin User System Interface Cable

HS0005ECK01H

User's Manual

Renesas Microcomputer Development Environment System

HS0005ECK01HE

Rev.1.00

Revision Date: Jun. 28, 2006

RenesasTechnology

www.renesas.com

User's Manual

Keep safety first in your circuit designs!

1. Renesas Technology Corp. puts the maximum effort into making semiconductor products better and more reliable, but there is always the possibility that trouble may occur with them. Trouble with semiconductors may lead to personal injury, fire or property damage.
Remember to give due consideration to safety when making your circuit designs, with appropriate measures such as (i) placement of substitutive, auxiliary circuits, (ii) use of nonflammable material or (iii) prevention against any malfunction or mishap.

Notes regarding these materials

1. These materials are intended as a reference to assist our customers in the selection of the Renesas Technology Corp. product best suited to the customer's application; they do not convey any license under any intellectual property rights, or any other rights, belonging to Renesas Technology Corp. or a third party.
2. Renesas Technology Corp. assumes no responsibility for any damage, or infringement of any third-party's rights, originating in the use of any product data, diagrams, charts, programs, algorithms, or circuit application examples contained in these materials.
3. All information contained in these materials, including product data, diagrams, charts, programs and algorithms represents information on products at the time of publication of these materials, and are subject to change by Renesas Technology Corp. without notice due to product improvements or other reasons. It is therefore recommended that customers contact Renesas Technology Corp. or an authorized Renesas Technology Corp. product distributor for the latest product information before purchasing a product listed herein.
The information described here may contain technical inaccuracies or typographical errors. Renesas Technology Corp. assumes no responsibility for any damage, liability, or other loss rising from these inaccuracies or errors.
Please also pay attention to information published by Renesas Technology Corp. by various means, including the Renesas Technology Corp. Semiconductor home page (<http://www.renesas.com>).
4. When using any or all of the information contained in these materials, including product data, diagrams, charts, programs, and algorithms, please be sure to evaluate all information as a total system before making a final decision on the applicability of the information and products. Renesas Technology Corp. assumes no responsibility for any damage, liability or other loss resulting from the information contained herein.
5. Renesas Technology Corp. semiconductors are not designed or manufactured for use in a device or system that is used under circumstances in which human life is potentially at stake. Please contact Renesas Technology Corp. or an authorized Renesas Technology Corp. product distributor when considering the use of a product contained herein for any specific purposes, such as apparatus or systems for transportation, vehicular, medical, aerospace, nuclear, or undersea repeater use.
6. The prior written approval of Renesas Technology Corp. is necessary to reprint or reproduce in whole or in part these materials.
7. If these products or technologies are subject to the Japanese export control restrictions, they must be exported under a license from the Japanese government and cannot be imported into a country other than the approved destination.
Any diversion or reexport contrary to the export control laws and regulations of Japan and/or the country of destination is prohibited.
8. Please contact Renesas Technology Corp. for further details on these materials or the products contained therein.

IMPORTANT INFORMATION

READ FIRST

- **READ this user's manual before using this emulator product.**
- **KEEP the user's manual handy for future reference.**

Do not attempt to use the emulator product until you fully understand its mechanism.

Emulator Product:

Throughout this document, the term "emulator product" shall be defined as the following products produced only by Renesas Technology Corp. excluding all subsidiary products.

- Emulator
- User system interface cable

The user system or a host computer is not included in this definition.

Purpose of the User System Interface Cable:

This user system interface cable is for connecting the emulator unit and user system. This user system interface cable must only be used for the above purpose.

Limited Applications:

This emulator product is not authorized for use in MEDICAL, atomic energy, aeronautical or space technology applications without consent of the appropriate officer of a Renesas sales company. Such use includes, but is not limited to, use in life support systems. Buyers of this emulator product must notify the relevant Renesas sales offices before planning to use the product in such applications.

Improvement Policy:

Renesas Technology Corp. (including its subsidiaries, hereafter collectively referred to as Renesas) pursues a policy of continuing improvement in design, performance, and safety of the emulator product. Renesas reserves the right to change, wholly or partially, the specifications, design, user's manual, and other documentation at any time without notice.

Target User of the Emulator Product:

This emulator product should only be used by those who have carefully read and thoroughly understood the information and restrictions contained in the user's manual. Do not attempt to use the emulator product until you fully understand its mechanism.

It is highly recommended that first-time users be instructed by users that are well versed in the operation of the emulator product.

LIMITED WARRANTY

Renesas warrants its user system interface cables to be manufactured in accordance with published specifications and free from defects in material and/or workmanship. Renesas will repair or replace any user system interface cables determined to be defective in material and/or workmanship. User system interface cables are wearing parts which Renesas will not repair or replace if damaged and/or worn through use. The foregoing shall constitute the sole remedy for any breach of Renesas' warranty. This warranty extends only to you, the original Purchaser. It is not transferable to anyone who subsequently purchases the user system interface cable from you. Renesas is not liable for any claim made by a third party or made by you for a third party.

DISCLAIMER

RENESAS MAKES NO WARRANTIES, EITHER EXPRESS OR IMPLIED, ORAL OR WRITTEN, EXCEPT AS PROVIDED HEREIN, INCLUDING WITHOUT LIMITATION THEREOF, WARRANTIES AS TO MARKETABILITY, MERCHANTABILITY, FITNESS FOR ANY PARTICULAR PURPOSE OR USE, OR AGAINST INFRINGEMENT OF ANY PATENT. IN NO EVENT SHALL RENESAS BE LIABLE FOR ANY DIRECT, INCIDENTAL OR CONSEQUENTIAL DAMAGES OF ANY NATURE, OR LOSSES OR EXPENSES RESULTING FROM ANY DEFECTIVE USER SYSTEM INTERFACE CABLE, THE USE OF ANY USER SYSTEM INTERFACE CABLE, OR ITS DOCUMENTATION, EVEN IF ADVISED OF THE POSSIBILITY OF SUCH DAMAGES. EXCEPT AS EXPRESSLY STATED OTHERWISE IN THIS WARRANTY, THIS USER SYSTEM INTERFACE CABLE IS SOLD "AS IS", AND YOU MUST ASSUME ALL RISK FOR THE USE AND RESULTS OBTAINED FROM THE USER SYSTEM INTERFACE CABLE.

State Law:

Some states do not allow the exclusion or limitation of implied warranties or liability for incidental or consequential damages, so the above limitation or exclusion may not apply to you. This warranty gives you specific legal rights, and you may have other rights which may vary from state to state.

The Warranty is Void in the Following Cases:

Renesas shall have no liability or legal responsibility for any problems caused by misuse, abuse, misapplication, neglect, improper handling, installation, repair or modifications of the emulator product without Renesas' prior written consent or any problems caused by the user system.

All Rights Reserved:

This user's manual and emulator product are copyrighted and all rights are reserved by Renesas. No part of this user's manual, all or part, may be reproduced or duplicated in any form, in hard-copy or machine-readable form, by any means available without Renesas' prior written consent.

Other Important Things to Keep in Mind:

1. Circuitry and other examples described herein are meant merely to indicate the characteristics and performance of Renesas' semiconductor products. Renesas assumes no responsibility for any intellectual property claims or other problems that may result from applications based on the examples described herein.
2. No license is granted by implication or otherwise under any patents or other rights of any third party or Renesas.

Figures:

Some figures in this user's manual may show items different from your actual system.

Limited Anticipation of Danger:

Renesas cannot anticipate every possible circumstance that might involve a potential hazard. The warnings in this user's manual and on the emulator product are therefore not all inclusive. Therefore, you must use the emulator product safely at your own risk.

SAFETY PAGE

READ FIRST

- **READ** this user's manual before using this emulator product.
- **KEEP the user's manual handy for future reference.**

Do not attempt to use the emulator product until you fully understand its mechanism.

DEFINITION OF SIGNAL WORDS



This is the safety alert symbol. It is used to alert you to potential personal injury hazards. Obey all safety messages that follow this symbol to avoid possible injury or death.



DANGER indicates an imminently hazardous situation which, if not avoided, will result in death or serious injury.



WARNING indicates a potentially hazardous situation which, if not avoided, could result in death or serious injury.



CAUTION indicates a potentially hazardous situation which, if not avoided, may result in minor or moderate injury.



CAUTION used without the safety alert symbol indicates a potentially hazardous situation which, if not avoided, may result in property damage.

NOTE emphasizes essential information.

WARNING

Observe the precautions listed below. Failure to do so will result in a FIRE HAZARD and will damage the user system and the emulator product or will result in PERSONAL INJURY. The USER PROGRAM will be LOST.

- 1. Do not repair or remodel the emulator product by yourself for electric shock prevention and quality assurance.**
- 2. Always switch OFF the host computer and user system before connecting or disconnecting any CABLES or PARTS.**
- 3. Connect the connectors in the user system and in the user system interface cable by confirming the correct direction.**

Warnings on Emulator Usage

Be sure to read and understand the warnings below before using this emulator. Note that these are the main warnings, not the complete list.



WARNING

Always switch OFF the host computer and user system before connecting or disconnecting any CABLES or PARTS.

Failure to do so will result in a FIRE HAZARD and will damage the user system and the emulator product or will result in PERSONAL INJURY. The USER PROGRAM will be LOST.

CAUTION

Place the host computer and user system so that no cable is bent or twisted. A bent or twisted cable will impose stress on the user interface leading to connection or contact failure.

Make sure that the host computer and the user system are placed in a secure position so that they do not move during use nor impose stress on the user interface.


Contents

Section 1	Components of the E10A-USB Optional 38-Pin User System Interface Cable	1
Section 2	Connecting the Emulator to the User System	2
Section 3	Installing the H-UDI Port Connector on the User System.....	3
Section 4	Pin Assignments of the H-UDI Port Connector.....	4
Section 5	Restriction on Component Mounting.....	7
Section 6	Notes	8

Section 1 Components of the E10A-USB Optional 38-Pin User System Interface Cable

Table 1.1 lists the components of the E10A-USB optional 38-pin user system interface cable. After unpacking the product, check to ensure you have all components in table 1.1.

Table 1.1 Components of the E10A-USB Optional 38-Pin User System Interface Cable

Component	Appearance	Quantity	Remarks
User system interface cable		1	38-pin type Length: 30 cm, Mass: 62 g
E10A-USB Optional 38-Pin User System Interface Cable User's Manual		1	HS0005ECK01HJ and HS0005ECK01HE

Section 2 Connecting the Emulator to the User System

Follow the procedure below to connect the E10A-USB emulator (hereinafter referred to as the emulator) to the user system with the user system interface cable, and when reconnecting them after disconnection to move the emulator or user system.

1. Ensure that the host computer is turned off or the emulator is not connected to the host computer with the USB cable.
2. Connect the user system interface cable to the connector on the user side of the emulator.
3. Connect the USB cable to the connector on the host side of the emulator.

Section 3 Installing the H-UDI Port Connector on the User System

Table 3.1 shows the recommended H-UDI port connector for this user system interface cable.

Table 3.1 Recommended Connector

Connector	Type Number	Manufacturer	Specifications
38-pin connector	2-5767004-2	Tyco Electronics AMP K.K.	38-pin Mictor type

Note: When designing the placement of the 38-pin connector layout on the user board, reduce cross-talk noise etc. by keeping other signal lines out of the region where the H-UDI port connector is situated.

Section 4 Pin Assignments of the H-UDI Port Connector

Pin No.	Signal *4	Input/ Output *1	Note	Pin No.	Signal *4	Input/ Output*1	Note
1	N.C.	—		20	N.C.	—	
2	N.C.	—		21	TRST# *2	Input	
3	MPMD (GND)	—		22	N.C.	—	
4	N.C.	—		23	N.C.	—	
5	UCON# (GND)*3	—		24	AUDATA3		
6	AUDCK	Output		25	N.C.	—	
7	N.C.	—		26	AUDATA2		
8	ASEBRK#/ BRKACK *2	Input/ output		27	N.C.	—	
9	RESET# *2	Output	User reset	28	AUDATA1		
10	N.C.	—		29	N.C.	—	
11	TDO	Output		30	AUDATA0		
12	UVCC_AUD	Output		31	N.C.	—	
13	N.C.	—		32	AUDSYNC# *2	Output	
14	UVCC	Output		33	N.C.	—	
15	TCK	Input		34	AUDRST# *2	—	
16	N.C.	—		35	N.C.	—	
17	TMS	Input		36	AUDMD	—	
18	N.C.	—		37	N.C.	—	
19	TDI	Input		38	N.C.	—	

Notes: 1. Input to or output from the user system.

2. The symbol "*" means that the signal is active-low.

3. The emulator monitors the GND signal of the user system to detect whether or not the user system is connected.

4. Signal names are not intended to correspond to those for the actual MCU. Refer to recommended circuits and notes described in the Supplementary Information on Using the SHxxxx and connect only the required signals. Other than UVCC_AUD, the signals are the same as those for the 36-pin interface. Supply the operating voltage of the AUD to UVCC_AUD.

5. The GND bus leads, which are allocated on the center of the H-UDI port connector, must be connected to GND.

6. When an MCU incorporating the AUD with the SSTL18 specification (e.g., the SH7785) is used, the emulator is used with the same circuit as for the E200F. For details, refer to the E200F emulator additional document (Supplementary Information on Using the SHxxxx).

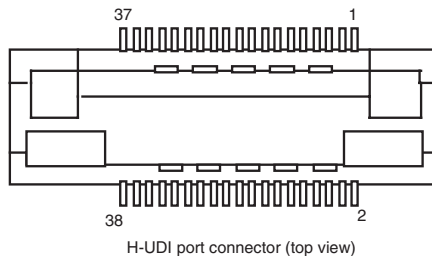


Figure 4.1 Pin Assignments of the H-UDI Port Connector (38 Pins)

The following shows the correspondence between the 38-pin and 36-pin connectors. For the required processing between the target MCU and the connector, refer to Supplementary Information on Using the SHxxxx.

Signal Name	38-Pin Connector	36-Pin Connector	Note
	1	-----	
	2	-----	
MPMD	3	-----	22
	4	-----	
UCON#	5	-----	33
AUDCK	6	-----	1
	7	-----	
ASEBRK#/BRKACK	8	-----	27
RESET#	9	-----	31
	10	-----	
TDO	11	-----	25
UVCC_AUD	12	-----	Specific to the 38-pin connector
	13	-----	
UVCC	14	-----	29
TCK	15	-----	17
	16	-----	
TMS	17	-----	19
	18	-----	
TDI	19	-----	23
	20	-----	
TRST#	21	-----	21
	22	-----	
	23	-----	
AUDATA3	24	-----	9
	25	-----	

Signal Name	38-Pin Connector		36-Pin Connector	Note
AUDATA2	26	-----	7	
	27	-----		
AUDATA1	28	-----	5	
	29	-----		
AUDATA0	30	-----	3	
	31	-----		
AUDSYNC#	32	-----	11	
	33	-----		
AUDRST#	34	-----	13	
	35	-----		
AUDMD	36	-----	15	
	37	-----		
Reserved	38	-----	35	

Section 5 Restriction on Component Mounting

An upper limit (5 mm) applies to the heights of components mounted around the user system connector. The connector for the user system interface cable is of the straight (plug) type.

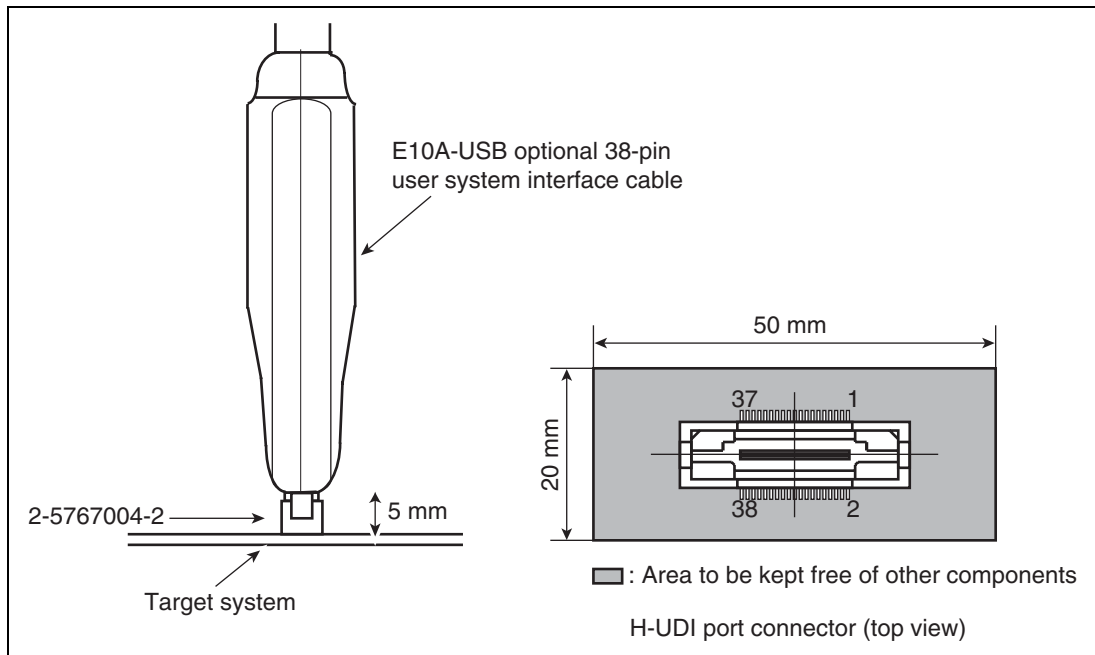


Figure 5.1 Restriction on Component Mounting

Section 6 Notes

1. When connecting the user system interface cable to the user system, be sure to note the position of pin 1 to avoid erroneous connections.
2. Do not apply force to the user system interface cable while it is connected to the user system.

E10A-USB Optional 38-Pin User System Interface Cable HS0005ECK01H User's Manual

Publication Date: Rev.1.00, June 28, 2006
Published by: Sales Strategic Planning Div.
Renesas Technology Corp.
Edited by: Customer Support Department
Global Strategic Communication Div.
Renesas Solutions Corp.

Renesas Technology Corp. Sales Strategic Planning Div. Nippon Bldg., 2-6-2, Ohte-machi, Chiyoda-ku, Tokyo 100-0004, Japan



RENESAS SALES OFFICES

<http://www.renesas.com>

Refer to "<http://www.renesas.com/en/network>" for the latest and detailed information.

Renesas Technology America, Inc.

450 Holger Way, San Jose, CA 95134-1368, U.S.A
Tel: <1> (408) 382-7500, Fax: <1> (408) 382-7501

Renesas Technology Europe Limited

Dukes Meadow, Millboard Road, Bourne End, Buckinghamshire, SL8 5FH, U.K.
Tel: <44> (1628) 585-100, Fax: <44> (1628) 585-900

Renesas Technology (Shanghai) Co., Ltd.

Unit 204, 205, AZIACenter, No.1233 Lujiazui Ring Rd, Pudong District, Shanghai, China 200120
Tel: <86> (21) 5877-1818, Fax: <86> (21) 6887-7898

Renesas Technology Hong Kong Ltd.

7th Floor, North Tower, World Finance Centre, Harbour City, 1 Canton Road, Tsimshatsui, Kowloon, Hong Kong
Tel: <852> 2265-6688, Fax: <852> 2730-6071

Renesas Technology Taiwan Co., Ltd.

10th Floor, No.99, Fushing North Road, Taipei, Taiwan
Tel: <886> (2) 2715-2888, Fax: <886> (2) 2713-2999

Renesas Technology Singapore Pte. Ltd.

1 Harbour Front Avenue, #06-10, Keppel Bay Tower, Singapore 098632
Tel: <65> 6213-0200, Fax: <65> 6278-8001

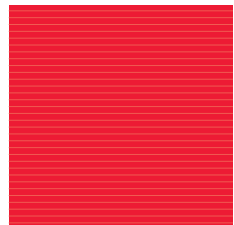
Renesas Technology Korea Co., Ltd.

Kukje Center Bldg. 18th Fl., 191, 2-ka, Hangang-ro, Yongsan-ku, Seoul 140-702, Korea
Tel: <82> (2) 796-3115, Fax: <82> (2) 796-2145

Renesas Technology Malaysia Sdn. Bhd

Unit 906, Block B, Menara Amcorp, Amcorp Trade Centre, No.18, Jalan Persiaran Barat, 46050 Petaling Jaya, Selangor Darul Ehsan, Malaysia
Tel: <603> 7955-9390, Fax: <603> 7955-9510

E10A-USB Optional 38-Pin
User System Interface Cable
HS0005ECK01H
User's Manual



Renesas Technology Corp.

2-6-2, Ote-machi, Chiyoda-ku, Tokyo, 100-0004, Japan