
IStandalone Controller MT601 User Manual



1. Product Specification

Item	specification
power	DC12V±10%; 1.2A
Lock Relay	12VDC/2A
Temperature	working: 0°C~45°C storage: -10°C~55°C
Relative Humidity	working: 40%~90%RH storage: 20%~90%RH
User Capacity	1000
Frequency	125KHz or 13.56Mhz
Card Type	EM card
Read range	EM: 5-15cm;
External Reader	One extra W26 reader
Other Connections	Lock, exit button, bell, door sensor, alarm

2. Factory Defaulted Set

Item	Defaulted Value
Programming Code	881122
Open Door Mode	Card or public code (1234)
Door open time	3 seconds
Anti-break Alarm	able
Door Magnet Alarm	disabled
lock status	disabled
Alarm delay	0 second
Change Personal Code Function	disabled

3. the LED and Buzzer

3.1 Normal working status

3.1.1. Valid command: short beep

3.1.2. In valid command: long beep

3.2 Programming state

3.2...1 Green LED on

3.2.2 Valid command: two short beeps

3.2.3 In valid command: Three beeps

4. Cancel Command

Press key # to cancel command before finish it

5. Functions & Setup

5.1 Enter the programming mode

Press # + 6 digit code (default 881122)

5.2 Modify the programming pin

Press 0+ new 6-digit pin +confirm the new 6-digit pin

5.3 Enroll card

Press [5]

+ [3-digit index code] (2beeps)

+ [card 1] Beep, two beeps

+ [card 2] Beep, two beeps

+.....

+ [card n] Beep, two beeps

+ [#] 2 beeps

5.3.1 3-digit index code: Range from 001-999(card can be deleted by this code)

5.3.2 When the enrolling multiple cards, every card index code will be calculated in order. For example, card one's index code is 015, card two's will be 016.

5.4 Delete valid Card

5.4.1 delete by index code:

Press 7

+ 3-digit code1 (2 beeps)

+ 3-digit code2 (2 beeps)

+.....

+ 3-digit code n (2 beeps)

+ # (2 beeps)

5.4.2 Delete by presenting Card:

Press 7

+ presenting card1 (beep, 2beeps)

+ presenting card 2 (beep, 2beeps)

+.....

+ presenting card n (beep, 2beeps)

+ # (2 beeps)

5.4.3 Delete all cards:

Please restore the factory default.

5.5 Exit programming Mode

Press # (2 beeps)

5.6 Open Door Mode

5.6.1 card or code mode

Press 1 + 0 (2 beeps)

5.6.2 card + personal code mode

Press 1 + 1 (2 beeps)

5.7 Code

5.7.1 code include personal code and public code

5.7.2 Disable changing personal code

Press 1 + 2 (2 beeps)

5.7.3 Enable Changing personal code

Press 1 + 3 (2 beeps)

5.7.4 Change Personal code (not under programming mode)

Press # for 5 seconds, show card, input 4 digit old code, input 4 new digit code, confirm the new code (2 beeps)

5.7.5 Change public code

Press 3 + 4 digit code (defaulted 1234)

When the public pin is 0000, the pin is avail in “card or pin” mode

5.8 Change Door Open Time

Press 2 + TT; TT stands for the delay time, such as door open time is 3 seconds, then TT=03

5.9 Anti-break alarm

5.9.1 closed anti-break alarm press [4] + [0]

5.9.2 Open anti-break alarm press [4] + [1]

5.10 Door contact sensor

5.10.1 closed door contact sensor: press [6] + [0].

5.10.2 Open door contact sensor: press [6] + [1]

5.11 Door sensor alarm

5.11.1 Close sensor alarm: press [8] + [0]

5.11.2 Open sensor alarm: press [8] + [1]

After turning on this function, the controller will give off continuous long beep when the door is not closed after normal opening, or the door is not opened through the controller.

5.12 Alarm delay time

Press [82] + [TT].TT is time interval in second. For example, if the delay time is 3 seconds, then TT=03.

When the door is locked TT seconds, if the door contact sensor is in alarm status, the controller is in alarm mode. This function should be used when the door sensor alarm is on.

6 Restore factory default

Press [9] + [86] there will be 2beeps, 3 beeps and 3beeps after 5 seconds, then the factory defaults are restored.

7 User's instruction

7.1 card or pin mode:

7.1.1 The pins should be entered in 2 seconds

7.1.2 Press # key o cancel pin input

7.2 card + Private Pin mode

7.2.1(Reading card) (2 beeps) + (Private Pin)

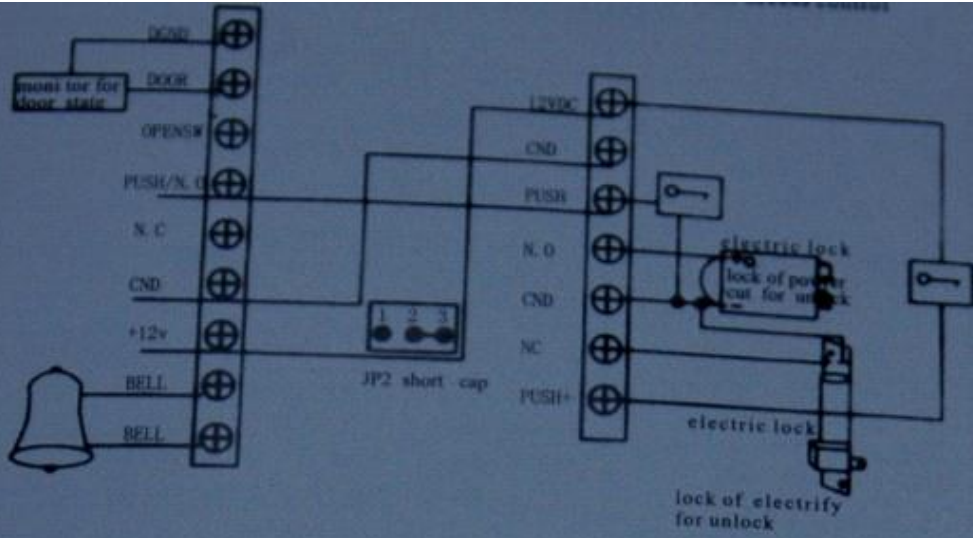
7.2.2 Press# key to cancel pin input

8 Reset programming pin See Wiring Diagram Notes

9 FAQ

Symptom	Possible solutions
After the lock is opened, there are 8 short beeps	The controller needs higher voltage; the power supply should be checked
The card reading distance is short or card cannot be read	1. If the controller is on metal surface, it should be moved to other place. 2. Check the power supply
After reading card, there are 3 beeps and lock is not open	1. It's in card + pin mode. 2. [#] key is pressed; wait for 5 seconds to present the card.
The enrolled card cannot open the door	1. Check if the door sensor is in alarm status. 2. Disable the door sensor alarm.
Press #[programming pin] there is long beep and cannot enter the programming mode	Other keys are pressed before pressing the # key. Keep on pressing # key after long beep, then enter the programming mode again.
Press [#]key, there is long beep and cannot enter the programming mode	Other keys are pressed before pressing the # key. Keep on pressing # key after long beep, then press the #programming key again.
Press [5], there are 3 beeps	The controller has full card capacity.
Press [5] + [index code], 3 beeps	This index code is in use, select another index code.
Press [5]+ [index code], 2 beeps +[presenting card]3 beeps	This card is in use.
The controller exit programming mode	In programming mode, if there is no input in 20 seconds, the controller exits programming mode automatically.

10. Wiring Diagram



build in connection two

ordinary electrical source out 12VDC

