

PRODUCT MANUAL
MANUEL DU PRODUIT
MANUALE DI PRODOTTO
PRODUKT HANDBUCH
MANUAL DE PRODUCTO



ASSOCIATI

NETYS

UNINTERRUPTIBLE POWER SUPPLY (UPS)
ALIMENTATION SANS INTERRUPTION (ASI)
SISTEMA DI CONTINUITÀ (UPS)
UNTERBRECHUNGSFREIE STROMVERSORGUNG (USV)
SISTEMA DE ALIMENTACIÓN ININTERRUMPIDA (SAI)

NeTYS PR 1000÷3000 VA

PRODUCT MANUAL

CONTENTS

1. SAFETY STANDARDS	4
2. GENERAL DESCRIPTION.....	5
2.1. LED-BASED CONTROL AND DISPLAY PANEL	6
3. UNPACKING AND INSTALLATION.....	7
3.1. UNPACKING.....	7
3.2. ENVIRONMENTAL REQUIREMENTS FOR INSTALLATION.....	7
3.3. CONNECTION TO THE MAINS POWER SUPPLY AND CONNECTING THE LOAD.....	8
4. CONFIGURATION AND START-UP	9
5. OPERATING MODES	10
6. COMMUNICATION	11
7. MAINTENANCE	12
7.1. REMEDIES FOR MINOR PROBLEMS.....	12
8. TECHNICAL DATA	13

CERTIFICATE AND CONDITIONS OF WARRANTY

This SOCOMEC SICON UPS uninterruptible power system is guaranteed against manufacturing and material defects, for a period of 24 months from the date of purchase and not however more than 27 months from the date of shipment by SOCOMEC SICON UPS..

The warranty is of the 'carry-in' type: free supply of parts and labour for repairs, with return of a product to be replaced to SOCOMEC SICON UPS, or authorized centres, at the customer's cost and risk.

In order to use the warranty service, the user must respect the following rules:

- the product must be returned exclusively in its original packaging. Any damage caused during shipping in packaging other than the original is not covered by the warranty;
- the product must be accompanied by proof of purchase: a document (bill, invoice, receipt) showing the date of purchase and the information necessary to identify the product (model, serial number). The number of the authorization for return for repairs must also be attached, with a detailed description of the defect found in the product. If any of these elements is missing, the warranty is invalid. The return authorization number is issued by the service centres by telephone on receiving notification of the malfunction;

The warranty is recognised within Italian territory. If the UPS is exported outside Italian territory, the warranty shall be limited to the cover of the parts used to repair the fault.

The warranty shall not apply in the following cases:

- Failures due to fortuitous circumstances or force majeure (lightning, floods, etc.);
- Failures due to negligence or improper use (use outside tolerance limits: temperature, humidity, ventilation, electric power supply, applied load, batteries);
- Insufficient or inadequate maintenance;
- Attempted maintenance, repairs or modifications not carried out by SOCOMEC SICON UPS personnel or personnel from a support centre authorised by SOCOMEC SICON UPS.
- If the battery has not been recharged in accordance with the terms indicated on the packaging and in the manual, in cases of extended storage or UPS inactivity.

SOCOMECSICON UPS may, at its own discretion, opt for the repair of the product or for the replacement of the faulty or defective parts with new parts or with used parts that are equivalent to new parts with regard to functions and performance.

Defective or faulty parts replaced free of charge are to be put at the disposal of SOCOMEC SICON UPS that becomes the sole owner.

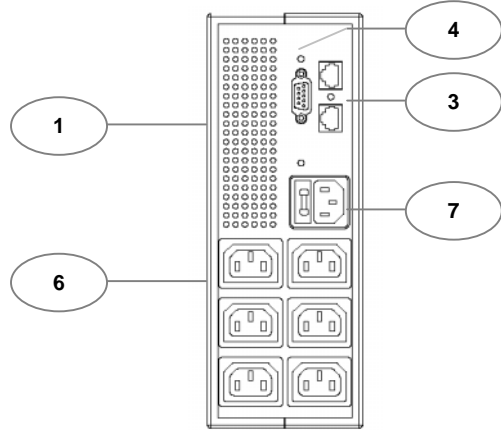
Replacements or repairs of parts and any modifications to the product during the warranty period shall not extend the duration of the warranty.

In no case will SOCOMEC SICON UPS be responsible for damages (including, without limitations, damage for loss of earnings, interruption of activity, loss of information or other economic losses) deriving from the use of the product.

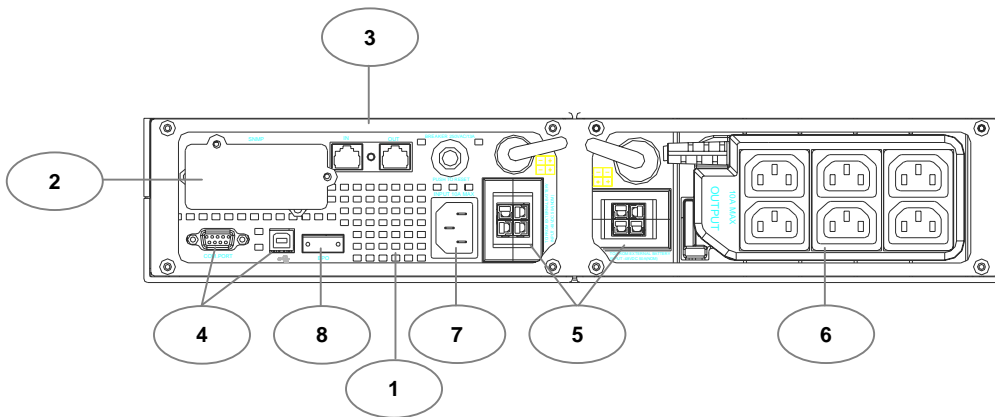
The present conditions are subject to Italian law. Any dispute falls under the province of the Court of Vicenza.

* For further information: www.socomec-sicon.com

NeTYS PR 1000 VA

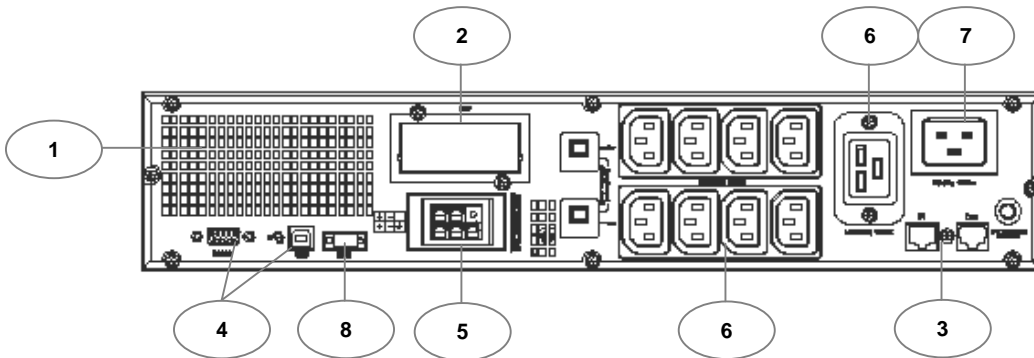


NeTYS PR 1500-2000 VA



NeTYS PR 3000 VA

Rear view

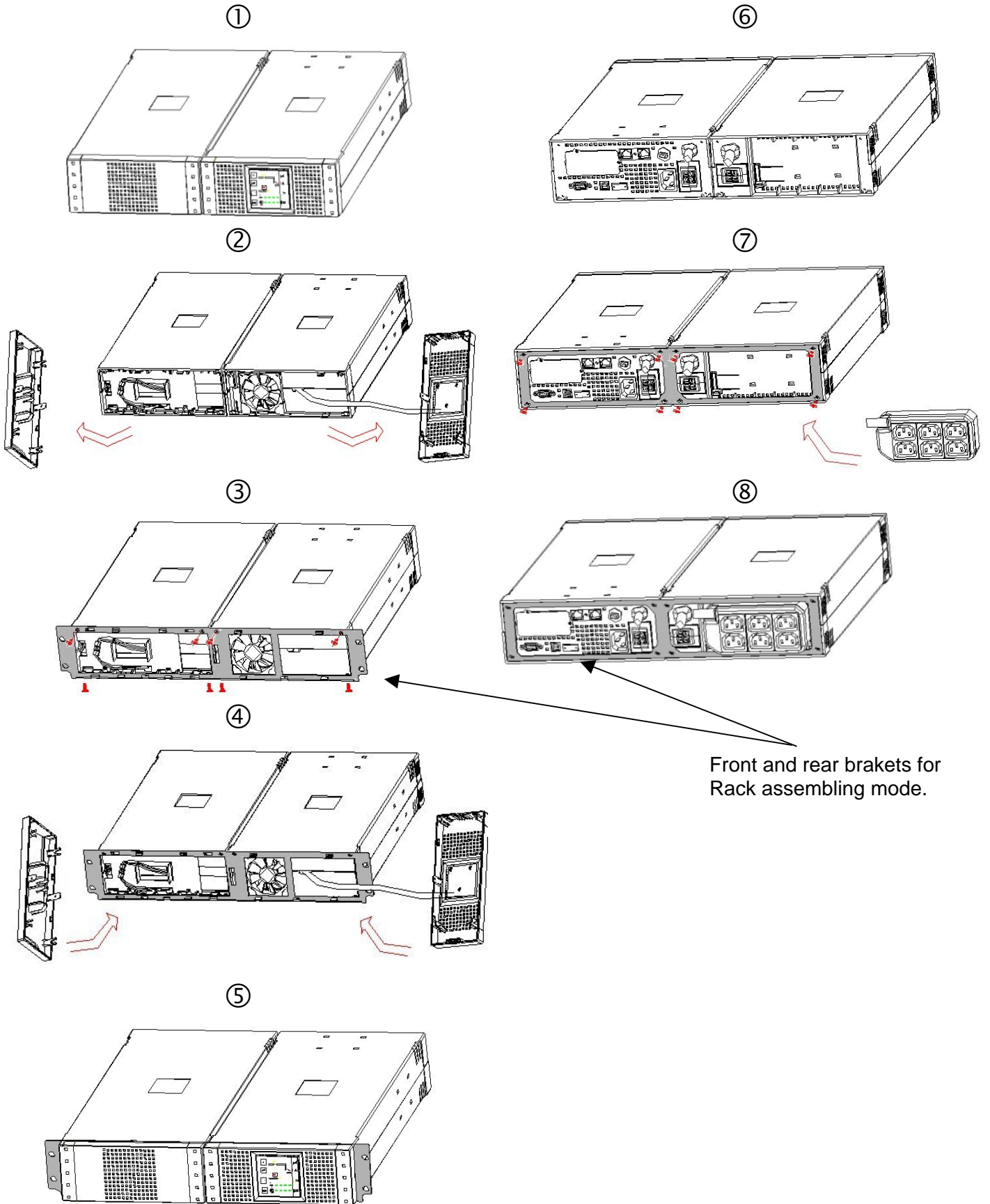


GB	F
<ul style="list-style-type: none"> 1 Fan / air vents 2 Slot for optional communication boards 3 NTP protections (RJ45) 4 RS232/USB serial port 5 Battery connection for extension 6 UPS output sockets 7 Input socket and fuse 8 EPO emergency Power Off 	<ul style="list-style-type: none"> 1 Ventilateur / prises d'air 2 Cache pour cartes de communication optionnelles 3 Protection NTP (RJ45) 4 Connecteur série RS232/USB 5 Connecteur batterie pour extension externe 6 Prise de sortie (ASI) 7 Prise arrivée réseau et fusible 8 EPO emergency Power Off

I	D
<ul style="list-style-type: none"> 1 Ventilatore / griglia di ventilazione 2 Slot per schede di comunicazione opzionali 3 Protezione NTP (RJ45) 4 Connettore seriale RS232/USB 5 Connettore batteria per espansione esterna 6 Presa di uscita UPS 7 Presa ingresso rete e fusibile 8 EPO emergency Power Off 	<ul style="list-style-type: none"> 1 Lüfter / Belüftungsanlage 2 Abdeckung für Kommunikationskarten (Option) 3 Sicherung NTP (RJ45) 4 Serieller Anschluß RS232/USB 5 Batterieanschluß für eine externe Erweiterung 6 Ausgang zur Last (USV) 7 Netzeingang und Sicherung 8 EPO emergency Power Off

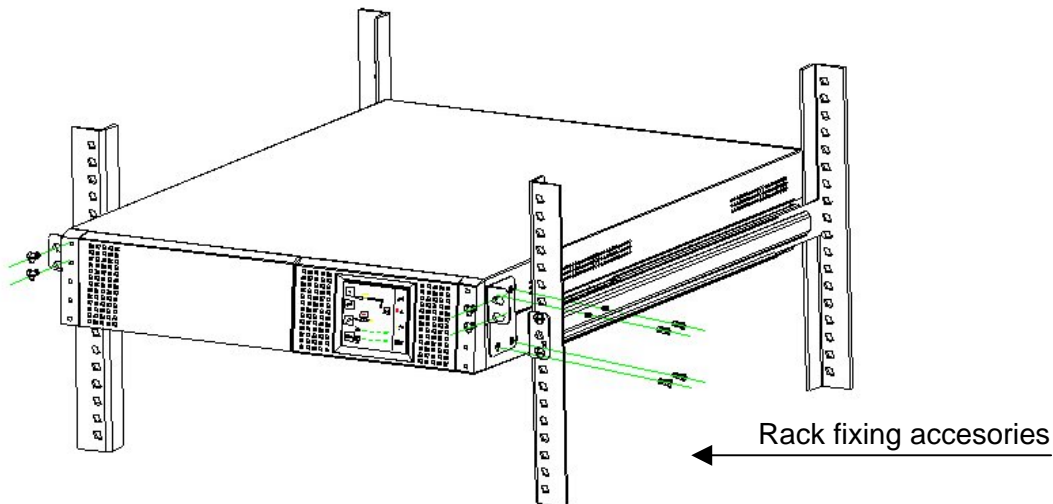
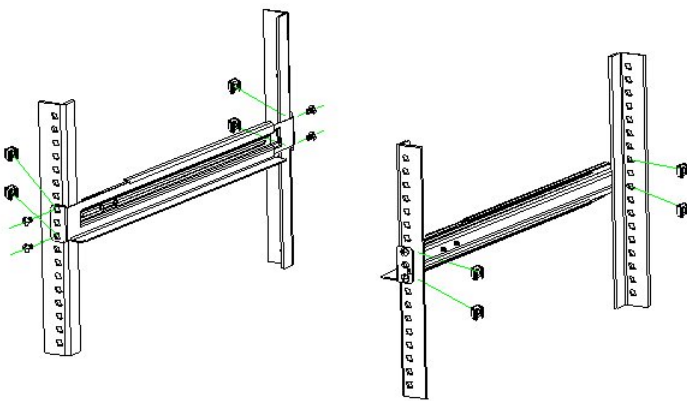
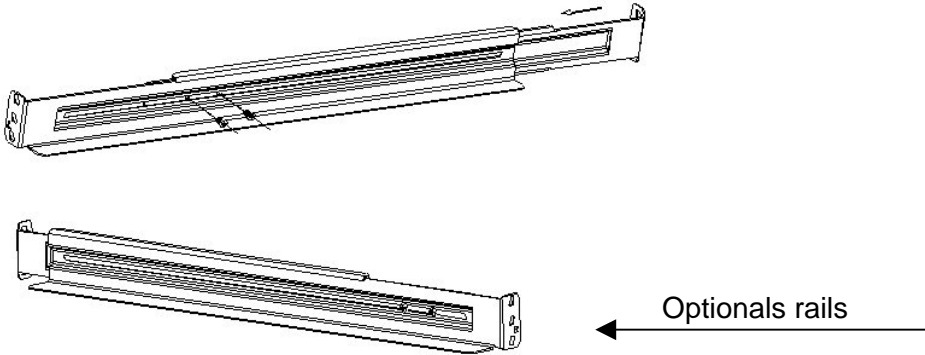
E
<ul style="list-style-type: none"> 1 Ventilador / tomas de aire 2 Slot para tarjetas de comunicación opcionales 3 Protección NTP (RJ45) 4 Conector serie RS232/USB 5 Conector de batería para expansión externa 6 Toma de salida (SAI) 7 Toma de entrada red y fusible 8 EPO emergency Power Off

NeTYS PR 1500-2000 VA migration from Tower to Rack 19"



Front and rear brackets for Rack assembling mode.

NeTYS PR 3000 VA migration from Tower to Rack 19"



1. SAFETY STANDARDS

This manual must be kept next to the UPS, so that the operator may consult it at any time for clarification on the correct use of the UPS.

Read the manual carefully before connecting the unit to the mains power supply and to the devices to be powered. Before switching on the UPS (*Uninterruptible Power Supply*), the operator must be fully aware of the functions and positions of all the controls and of the technical and functional characteristics of the system, in order to avoid any risk to persons and to the equipment.

- Before starting, the unit must have an equipotential connection as established by the safety standards in force. The earth cable of the UPS must be connected to an efficient earth point.
- If the unit is not earthed, all devices connected to the UPS will not have an equipotential connection. In this case the manufacturer declines all responsibility for damage or accidents caused by non-observance of the aforementioned standards.
- This is pluggable type A equipment with battery already installed by the supplier, it's operator installable and may be operated by layman.
- In case of power failure (UPS in back up mode), do not disconnect the input cable from the mains so as to ensure earth connection to the powered loads.
- All subsequent maintenance operations must be carried out solely and exclusively by authorized personnel. Inside the system high electric voltages are generated which may endanger maintenance personnel who are not sufficiently prepared and trained for such tasks.
- If at any time a hazard condition is created during use, disconnect the mains power supply (if possible through the control panel upstream of the unit) and shutdown the UPS completely following the appropriate procedure.
- When assembling and replacing the battery, the UPS should always be switched off and disconnected from the mains power supply. Do not dispose of batteries in a fire, the battery may explode.
- CAUTION : a battery can present a risk of electric shock and high short circuit current. The following precaution should be observed when working on batteries: remove watches, rings or other metal objects and use tools with insulated handles.
- The batteries constitute an internal power source for the UPS and mean that the system output may be powered even when the UPS is not connected to the mains power supply.
- Do not force, break or try to open the batteries. They are sealed and do not require any maintenance. They contain substances that are toxic to health and that pollute the atmosphere. Do not switch the UPS on if any leakage of liquid or white powder residue is noted.
- Replace batteries with the same number and type of batteries as originally installed in the equipment.
- Replace the fuses ONLY with other fuses of the same type.
- As the mains cable of the UPS is considered a disconnecting device, the mains socket to which the UPS is connected and/or the rear of the UPS must be accessible and easy to disconnect.
- Avoid contact of the UPS unit with water or liquids in general. Do not introduce foreign bodies.
- If the unit needs to be scrapped, it must be handed over solely and exclusively to specialist disposal companies. These companies are obliged to break up and dispose of the various components in accordance with the national legal provisions in force.
- The UPS generates a leakage current of about 1.5mA. To guarantee the maximum limit leakage current of 3.5mA, make sure that the maximum leakage current of the load is 2 mA. If the load current exceeds this value, have qualified personnel connect the UPS to an industrial type, IEC 309 compliant power supply mains, with a current of correct dimensions for the UPS power rating.
- NeTYS UPS is intended for commercial and industrial use; it is not recommended for use in medical applications that are essential to the survival of the patient.
- Use the UPS in accordance with the technical specifications given in the User Manual.

2. GENERAL DESCRIPTION

NeTYS: sure power supply for PC, servers, graphics stations and network devices.

The main purpose of the UPS is to protect sensitive and critical equipment from electrical disturbances that can compromise operation. Black-outs, brown-outs, variations in voltage and frequency, lightning, electrostatic discharges and rapid over voltages are phenomena found in all office and industrial environments and which cause damage to the hardware and loss of data.

NeTYS is an Uninterruptible Power Supply designed to power computers and connected peripherals, with the exception of any other electrical device (such as household appliances, television sets, stereo systems and video recorders).

INTRODUCTION

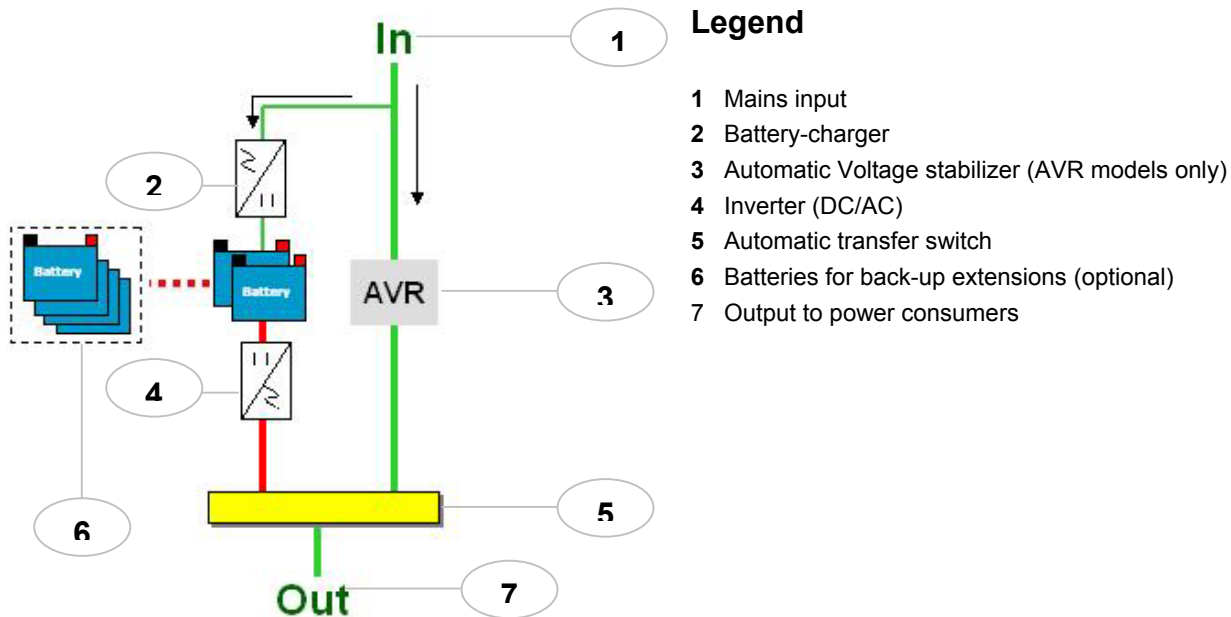
The characteristic feature of these UPS is the constant monitoring of the power supply which, duly filtered and stabilised (on models with AVR) and if considered suitable, is used to supply consumers. In cases of a mains failure or if the mains is considered to be outside limits accepted by the load, the inverter (the heart of the UPS) is activated immediately. Drawing on the power stored in the batteries, the inverter generates a voltage that instantly takes over from the mains without any disruption to the equipment connected.

During operation under emergency conditions, the internal batteries discharge but are recharged again automatically when mains power returns.

Being hermetically sealed, the batteries do not require maintenance of any kind at any stage of their working life.

Block diagram










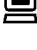



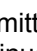
The block diagram provides a useful aid to understanding how the machine operates.



Legend

- 1 Mains input
- 2 Battery-charger
- 3 Automatic Voltage stabilizer (AVR models only)
- 4 Inverter (DC/AC)
- 5 Automatic transfer switch
- 6 Batteries for back-up extensions (optional)
- 7 Output to power consumers

2.1. LED-BASED CONTROL AND DISPLAY PANEL

		ON/OFF button (press for 3 seconds)
		Buzzer silence & self test mode button
		Configuration mode button
	ENTER	Button to confirm
	<p>Visual indication of operating mode</p> <p>LED green (1) lit = NORMAL MODE (mains ok) flashing = NORMAL MODE (AVR active)</p> <p>LED yellow (2) flashing = BATTERY MODE (mains absent or abnormal) flashing fast = battery low</p> <p>LED  (red) flashing = alarm present; lit = fault</p> <p>LED  (yellow) flashing = overload</p> <p>LED  (yellow) flashing = wide range input mode</p> <p>LED  (red) flashing = battery disconnected; lit = battery needs replacing</p> <p> Battery LED bar (capacity %) 25% steps</p> <p> Load LED bar (power %) 25% steps</p> <p>Detailed alarm indication = LED  flashing +: 25% battery LED bar flashing = Fan fault</p> <p>Detailed failure indication = LED  lit +: 25% of battery LED bar flashing = Fan failure 50% of battery bar LED flashing = Overtemperature stop All LEDs on battery bar flashing = Shortcircuit 75% of battery bar LED flashing = Output voltage abnormal 100% of battery LED bar flashing = abnormal battery recharge</p> <p>Acoustic alarms ^()</p> <p>Intermittent alarm every 4 seconds = BATTERY MODE Intermittent alarm every second = battery low Intermittent alarm every second = overload if  LED is flashing Continuous alarm = UPS failure (see detailed failure indication)</p>	

3. UNPACKING AND INSTALLATION

3.1. UNPACKING

Remove the UPS and all the accessories that come with it (cables, CD-ROMs, etc) from its packing case. It is always advisable to keep the original packaging that has been specially designed for safe transport, in case the unit has to be moved again.

3.2. ENVIRONMENTAL REQUIREMENTS FOR INSTALLATION

Install the UPS after first checking the following:

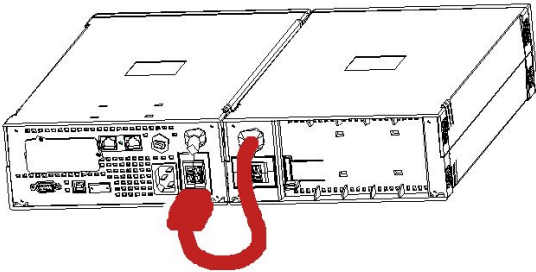
- NeTYS has been designed for use in closed environments.
- Place the UPS on a flat and stable surface, in a ventilated environment away from heat sources and exposure to direct sunlight.
- Keep ambient temperature between 0°C and 40°C and humidity less than 90% (non-condensing); the best temperature to guarantee longest possible battery life is 15-20°C.
- Ensure that the environment where the UPS will be installed is not dusty, and leave a space of at least 20 cm around it to allow for adequate ventilation and access to the rear panel.
- Make sure not to place the UPS or any other heavy object on the cables.
- Check that the voltage and frequency preset for operation is right for your electrical power supply looking the data can be found on the data plate.
- Use only the manufacturer-supplied or recommended cables and accessories for connections to the RS232/USB serial interface

The lateral brackets supplied must be mounted on models designed for installation in standard 19" cabinets.

It is recommended that the batteries be left to charge for 8 hours the first time the unit is used.

3.3. CONNECTION TO THE MAINS POWER SUPPLY AND CONNECTING THE LOAD

Cables with the appropriate cross-section and conforming to the safety standards in force should be used for connection to the mains and connection of the loads.



1500/2000VA model only: connect the UPS power cord to the mains power supply.

Connect the UPS power cord to the mains power supply

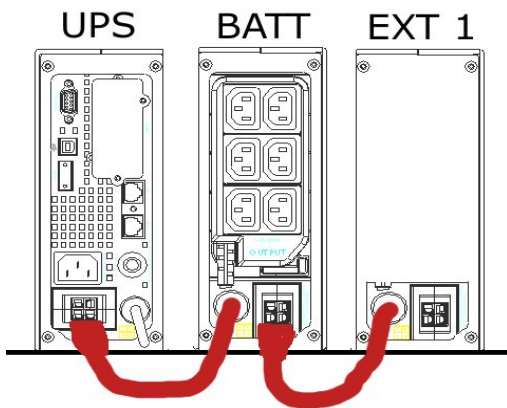
The mains input may be connected using the cable that previously powered the server.

Connect the loads to the outlet sockets on the rear of the UPS.

Use the two IEC320 cables supplied for the output connections.

Use of the battery expansions (optional on models 1500/2000/3000 PR)

Back-up extension units are available on some models when long-life battery operation is required. By combining the UPS with one or maximum two battery expansion units, back-up times of up to 60 minutes may be obtained.



Danger

Make sure that the safety switch on the battery expansion unit is in the "OFF" position during the connection procedure.

Place the battery expansion unit beside the UPS on the side with no air vents. Connect the battery expansion unit to the UPS using the special cable supplied.

Once connection has been completed, configure the back-up expansion unit using the special menu as described in chapter 4.

SWITCHING THE UPS ON

Switch the UPS on by pressing the ON button on the front panel. The "Normal mode" LED will light up: allow ten seconds for the self-teach procedures to run.

When you are sure that the UPS is functioning properly, the various loads may be switched on and work may commence in protected mode.

SWITCHING THE UPS OFF

Warning! This UPS has been designed to control and maintain the battery charge; therefore only in exceptional circumstances are you advised to switch it off completely

To shutdown the UPS completely, press and hold down the OFF button and take out or disconnect the mains power supply.

The UPS switches off all the LEDs and is then fully deactivated. If the mains cable is not disconnected, the battery-charger remains active.

4. CONFIGURATION AND START-UP

CONFIGURATION OF THE OUTPUT VOLTAGE/BATTERY EXPANSION UNITS

	<p>WARNING</p> <p>The factory default configuration for the NeTYS PR model is for operation with an output voltage of 230V, without any additional battery expansion units. <i>No configuration is required for normal use with standard back-up.</i></p>
--	--

Parameter settings:

- Input mode (normal 184÷276V /wide range \Rightarrow 160÷276V)
- Output voltage (220/230/240 V)
- Battery expansion units (0-1-2)

are configured using free UPS communication software that can be downloaded from:
www.socomec-sicon.com.

If wide range has been configured the yellow LED \Rightarrow will come flashing.

Configuration from mimic panel

Output voltage and Battery expansion parameters are also settable by mimic panel following the below procedure:

Output voltage configuration menu



push

3 seconds to start the procedure.
First is current setting 230 V led flashing



push again

second is 240 V flashing



push again

third is 220 V flashing



240 V

230 V

220 V

ENTER push 3 seconds to confirm, at the same time, change to Battery extensions configuration menu.

After Output voltage configuration

Battery expansion configuration menu



push

First is 0 expansion (only UPS) led flashing



push

second is 1 expansion led flashing



push

third is 2 expansion led flashing



2 battery expansion

1 battery expansion

0 =no battery expansion

ENTER push 3 seconds to confirm configuration and exit.

5. OPERATING MODES

NORMAL MODE

When mains power is available and the voltage falls within the acceptable range, the **NORMAL MODE** LED on the front panel remains on permanently. In this mode, the loads are powered from the mains power supply either directly or through the AVR stabiliser which intervenes in cases of voltage peaks. The batteries are constantly recharged.

BATTERY MODE

The UPS switches automatically to this operating mode when mains power fails (spikes or lengthy black-outs) or if the mains is at a value considered to be dangerous; the consumers are powered using the energy stored in the batteries converted to AC voltage through the inverter.

In this mode, a slow intermittent acoustic alarm sounds, while the **BATTERY MODE** LED on the front panel flashes. In cases of prolonged mains failure, the UPS powers the consumers until it shuts down when the batteries are fully depleted (see the chapter on COMMUNICATION for orderly shutdown via software).

Just before shutdown when the battery charge runs out fully, low battery charge is signalled via a rapid intermittent acoustic alarm.

The UPS automatically returns to normal operating mode about two seconds after the mains power is restored. The time taken to transfer from normal to battery mode and vice-versa is imperceptible to the load.

OVERLOAD


The UPS can power loads up to the power rating declared on the machine's data plate; once this limit is exceeded, the machine goes into overload condition.


Overloads are signalled by a rapid sounding acoustic alarm .

Warning: Significant overloads could cause permanent damage to the UPS!

Avoid connecting laser printers that generate absorption peaks liable to cause overloads on the UPS.

SELF TEST

In **NORMAL MODE**, when the  button is pressed for more than five seconds, a procedure is run to check battery and inverter operation.

If everything is working properly, the UPS automatically returns to **NORMAL MODE**; if not the test is suspended and the battery failure is reported through the Battery failure LED . If the test fails, however, it is recommended that you leave the battery to charge overnight and repeat the test the next day.

It is advisable to perform the test with the batteries fully charged (LED bar fully lit up).

6. COMMUNICATION

The UPS provides excellent protection against interruptions or imperfections in the mains power supply. In these cases the computer (load) is powered by the UPS using battery power until this runs out.

Various software applications and communication options are available to optimise operation of the UPS and to correctly manage shutdown when back-up power ends. The status of the UPS can be monitored, keeping track of all the mains failures and battery discharges so as to activate an automatic and orderly procedure to close the programs and shutdown the system. When mains power returns the system will restart automatically.

All NeTYS models are equipped with RS232 and USB communication interface (USB not available on the NeTYS PR 1000 model).

COMMUNICATION SOLUTIONS

Depending on the model, there are different types of connections and software compatibility as shown in the table below:

Uni Vision local management software for local shutdown of Windows™ & Linux systems. <i>Free on http://www.socomec.fr/page_uk/lien_prod_ups.htm</i>	RS232
Uni Vision Pro network management software for local and remote shutdown: supports the major operating systems through Java Shutdown Client technology.	RS232
HID: UPS management based on Windows™ embedded service	USB
NetVision Web/SNMP manager for UPS control over LAN with TCP/IP protocol. Allows remote shutdown through Java Shutdown Client technology.	Web/SNMP card
BMS: possibility to integrate the UPS with BMS (Building Management Systems)	JBUS protocol

RS232 INTERFACE

Communication with the server can take place directly via the **RS232** interface.

In addition to local or networked shutdown it is possible to perform full monitoring of the electrical parameters regarding battery status and the automatic programming of the UPS start-up and shutdown procedures.

For a complete description of the software features, refer to the **Uni Vision** and **Uni Vision Pro** documentation.

USB INTERFACE

In addition to the RS232 serial link, it is also possible to establish communication directly through USB with the HID protocol, when this is available in the operating system.

In this case, no SW needs to be installed. A standard USB cable is used and once this is connected, it is recognised just as any normal peripheral.

The control parameters of the unit can be set directly via the operating system service menu.

Net Vision card x slot

Net Vision permits direct connection of the UPS to a LAN (RJ45 Ethernet) and remote control of the UPS through TCP/IP using a WEB browser. For a complete description, refer to the **Net Vision** documentation.

7. MAINTENANCE

7.1. REMEDIES FOR MINOR PROBLEMS

This section examines some of most likely problems that can compromise correct operation of the UPS, attempting to solve them and identifying the possible causes and remedies.



THE UPS INTERNALLY GENERATES HAZARDOUS ELECTRICAL VOLTAGES. ALL MAINTENANCE MUST BE PERFORMED SOLELY AND EXCLUSIVELY BY AUTHORIZED PERSONNEL.

If you have difficulty in getting the UPS to work, the reason may be among those listed below. For any other problem, you are advised to get in touch with your dealer or service organisation directly. For quick and effective action, when you call it is important to give precise details of the defect, the model number and the manufacturing serial number that can be found on the conformance and inspection certificate or on the data plate on the bottom of the UPS.

PROBLEM	CAUSE	SOLUTION
The UPS works in battery mode even if mains power is available	<ul style="list-style-type: none"> - Poor connection to the input mains. -The mains voltage is out of range -Input protection triggered (blown fuse or automatic switch) 	<ul style="list-style-type: none"> -Check the connection of the cable to the UPS and to the mains outlet. -No solution because mode of operation is correct. -Replace the input fuse with another of the same type or reset the automatic switch.
Back-up time shorter than expected	<ul style="list-style-type: none"> -Batteries not fully charged. -Batteries not working properly. 	<ul style="list-style-type: none"> -Leave the batteries to charge for 8 hours consecutively. -Have the batteries replaced by authorised personnel.
The UPS stalls/goes into overload alarm	Overload on the load line.	Check that the load applied is not greater than the maximum permitted or reduce the load power requirement.

IF THE EQUIPMENT IS TO BE LEFT IDLE FOR A LONG PERIOD, WAIT FOR THE BATTERIES TO CHARGE FULLY BEFORE SWITCHING OFF. WHILE THE UPS IS LEFT IDLE, MAKE SURE THAT THE BATTERIES ARE RECHARGED FOR 24 HOURS AT LEAST ONCE EVERY 4 WEEKS.

8. TECHNICAL DATA

NeTYS PR	1000 MT	1500 MT	2000 MT	3000 RT
Power	1000VA (700W)	1500VA (1000W)	2000VA (1340W)	3000VA (2100W)

INPUT

Voltage	160* - 276 V (230V nominal)			
Frequency	50 / 60 Hz with automatic selection			
Mains connection	IEC320 (10A)			IEC320 (16A)
Spike protection IEC 61000-4-5	300V, 230j / 6500 A	300V, 460j / 6500 A		

OUTPUT

Voltage (in Normal Mode with AVR)	The AVR increases (boost 1) the output voltage by 15% when the input voltage drops below 90% of the nominal value, The AVR decreases (bucks) the output voltage by 12% when the input voltage rises above 110% of the nominal value.			
Voltage (in Battery Mode)	230V ± 5% (-10% after battery low)			
Frequency	50 / 60 Hz			
Wave form	Sinusoidal			
Transfer time	2-4 milliseconds (typical)			
Normal Mode protections	overload (110% for 3 minutes); shortcircuit protected			
Battery Mode protections	overload (110% for 30 seconds); shortcircuit protected			
Load connection socket IEC 320	# 6 (10A)		# 8 (10A) # 1 (16A)	

BATTERY

Typical back-up time	8 min.	8 min.	8 min.	8 min.
Battery recharge	4 hours 80% Cn (after full discharge) Under permanent charge even when the UPS is off (mains present)			

COMMUNICATION

Communication interface	RS232 / USB**			
Ethernet adapter	NET-VISION (TCP/IP & SNMP) optional card**			
Local communication software	UPS Management software – Windows™ & Linux (free download)			
Local and remote communication software	Optional UNI VISION PRO CD Windows™, AIX4.3/5.1, HP-UX10.20/11, Solaris 8/9, GNU/Linux, Novell.5/6			
Data line protection	NTP data line suppressor: RJ45 10 Base T			

ENVIRONMENT

Noise level (normal mode)	< 45 dBA (at 1 meter)			
Temperature	0- 40°C (10- 25°C for optimum battery life)			
Environment	Altitude: 2000 mt, humidity: 95% non-condensing			
Reference standards	(EN) IEC62040-1-1 (safety), EN50091-2/IEC 62040-2 (EMC), EN 61000-4-5/C62.41:1991 (surge)			

WEIGHT AND DIMENSIONS

Dimensions (WxDxH mm)	87 x 385 x 235	2 x (87x 415 x 220)		87 x 585 x 440
Dimensions (WxDxH mm) 2U, RM		435 x 415 x 87		440 x 585 x 87
Net weight	9,6 Kg	18 Kg	19 Kg	31,5 Kg

* selecting wide mode.

** 1500/2000/3000 models

Socomec Sicon UPS worldwide:

IN EUROPE

BELGIUM

Schaatsstraat, 30 rue de Patinage
B - 1190 Bruxelles
Tel. +32 (0)2 340 02 34 - Fax +32 (0)2 346 16 69
ups.sales@socomec.com

FRANCE

95, rue Pierre Grange
- 94132 Fontenay-sous-Bois Cedex
Tel. +33 (0)1 45 14 63 90 - Fax +33 (0)1 48 77 31 12
ups.paris.dcm@socomec.com

GERMANY

Heppenheimerstraße 57
D - 68309 Mannheim
Tel. +49 (0) 621 7168 40 - Fax +49 (0) 621 7168 444
info@sicon-socomec.de

ITALY

Viale Tolstoi, 73 - Zivido
20098 San Giuliano Milanese (MI)
Tel. +39 02 98 242 942 - Fax +39 02 98 240 723
siconmi@socomec.com

NETHERLANDS

Bergveste 2F
NL - 3992De Houten
Tel. +31 (0)30 63 71 504 - Fax +31 (0)30 63 72 166
info@socomec.nl

SLOVENIA

Savlje 89
SI - 1000 Ljubljana
Tel. +386 1 5807 860 - Fax +386 1 5611 173
info@socomec-sicon-ups.si

SPAIN

C/Nord, 22 Pol. Ind. Buvisa
- 08329 Teià (Barcelona)
Tel. +34 93540 7575 - Fax +34 93540 7576
info@socomec-aron.com

UNITED KINGDOM

Units 401/402
Cirencester Business Park
Love Lane
Cirencester
Gloucestershire
GL7 1YG
Tel. +44 1285 644 444 - Fax +44 1285 644 414
ups.uk.sales@socomec.com

IN ASIA

INDIA

Atma Ram Mansion
1/21 Asaf Ali Road
IN - New Dehli - 110 002
Tel. +91 11 23234411 - Fax +91 1123232639
hpl@hplindia.com

SINGAPORE

25 Tagore Lane, # 01-02
Singapore Godown
SG - 787 602 Singapore
Tel. +65 6 554-0900 - Fax +65 6 458-7377
general@socomecsicon.com.sg

THAILAND

17/178 Prachachuen Road
Tungsonghong, Laksi
TH - 10210 Bangkok
Tel. +66 2 503 92 43 - Fax +66 2 503 99 23
inquiry@socomec-unitrio.co.th

HEAD OFFICE

SOCOMEK GROUP SWITCHING PROTECTION AND UPS

S.A. capital 10 923 800 € - R.C. Strasbourg 548500 149 B

SOCOMEK SICON UPS Strasbourg

11, route de Strasbourg - B.P. 50 - F-67230 Huttenheim - FRANCE

Tel. +33 (0)3 88 57 45 45 - Fax +33 (0)3 88 74 07 90

ups.benfeld.admin@socomec.com

SOCOMEK SICON UPS Vicenza

Via della Tecnica, 1 - I - 36030 Villaverla - ITALIA

Tel. +39 0445 359 111 - Fax +39 0445 359 222

info.it.ups@socomec.com

SALES AND MARKETING MANAGEMENT

SOCOMEK SICON UPS Paris

95, rue Pierre Grange
F-94132 Fontenay-sous-Bois Cedex - FRANCE

Tel. +33 (0)1 45 14 63 90

Fax +33 (0)1 48 77 31 12

ups.paris.dcm@socomec.com

www.socomec-sicon.com

