

# STOVAX

---



## *Stockton 7 & 8* *Inset Convector Stove*

### **User Instructions**

MODELS: 7125/7126

**For Use in Great Britain and Eire**

This product is suitable for use in the stated countries. To install the product in other countries it is essential to obtain translated instructions and in some cases the product may require modification. Contact Stovax to obtain further information.

#### **IMPORTANT**

**Please read these instructions carefully before using the appliance.  
Keep them safe for future reference and when servicing the appliance.**

# FOR YOUR RECORDS

To assist us in any Guarantee claim please complete the following information:-

## Stovax dealer appliance was purchased from

Name: .....  
Address: .....  
.....  
Telephone number: .....

## Essential information - MUST be completed

Date installed: .....  
Model Description: .....  
Serial number: .....

## Installation Engineer

Company name: .....  
Address: .....  
.....  
Telephone number: .....

## Commissioning Checks (to be completed and signed)

- Is flue system correct for the appliance      YES       NO
- Flue swept and soundness test complete      YES       NO
- Smoke test completed on installed appliance      YES       NO
- Spillage test completed      YES       NO
- Use of appliance and operation of controls explained      YES       NO
- Instruction books handed to customer      YES       NO

Signature: .....      Print name: .....

# OPERATING INSTRUCTIONS

Before use of this appliance please read these instructions fully

## 1. GENERAL

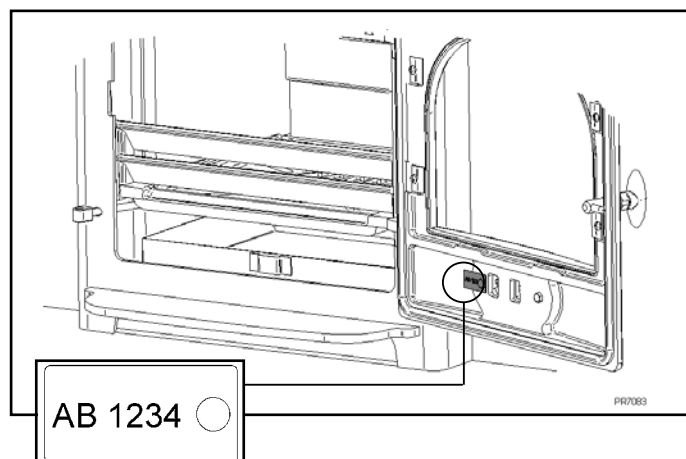
- 1.1 This stove is designed for domestic heating and should only be used for this purpose, and in accordance with the manufacturers operating instructions.

**It should be installed by a competent installer, in accordance with the relevant local and national regulations.**

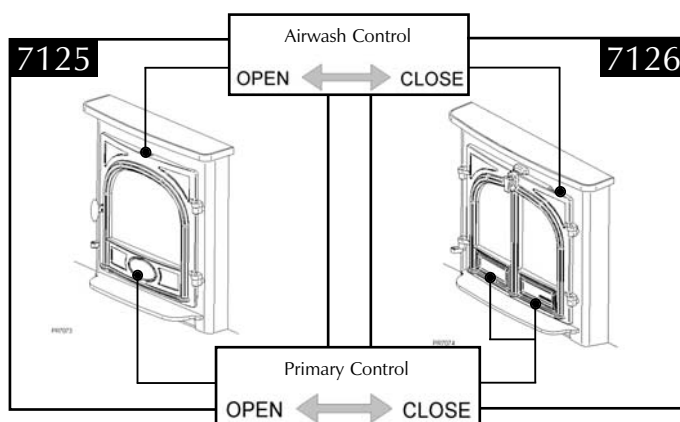
- 1.2 The stove should only be used to burn approved fuels and should not be used with liquid fuels or used as an incinerator.
- 1.3 As with all heating stoves the surfaces will become very hot when in use, therefore due care should be taken when near the stove. If the appliance is to be used in the presence of young children, elderly or infirm persons a suitable fireguard should be used. Care should also be taken with the placement of combustible items near the stove as conducted and radiated heat could cause a fire hazard.
- 1.4 Due to the high temperature of the convected air above the front of the stove we recommend that no valuable photographs, paintings, porcelain or other items are placed on the wall in this area. Such artifacts may be damaged by long term exposure to fluctuating temperatures.
- 1.5 The additional ventilation required for the safe use of this stove should be kept free of any obstructions, both inside and outside the building, at all times.
- 1.6 Have your Stovax product serviced annually by a competent service engineer, and if repairs are required use only Stovax approved spare parts.
- 1.7 **Do not make unauthorised modifications or changes to the stove.**

## SERIAL NUMBER

This number will be required when ordering spare parts or making any warranty claims. It is found on the back of the door as shown.



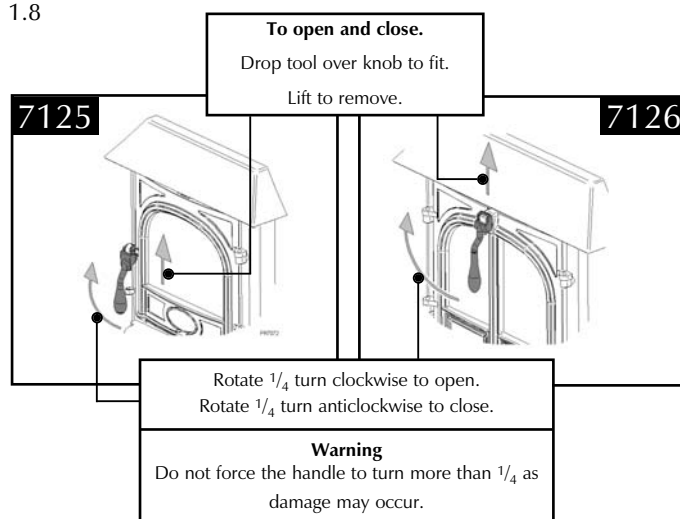
## AIR CONTROLS



See instructions for detailed use of controls

## DOOR HANDLE

1.8

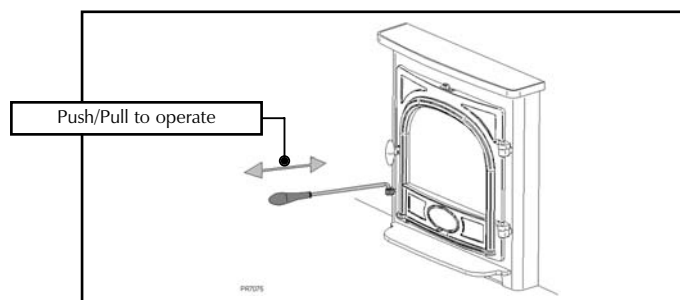


1.9 Never open the door with your bare hands.

1.10 Closing the door is the reverse of the previous.

## RIDDLING GRATE

1.11 To de-ash the firebed, using the riddling grate system, operate by using the removable handle to pull the riddling knob in and out. This causes the ash to fall down into the ashpan.



1.12 Never operate the grate with your bare hands.

# OPERATING INSTRUCTIONS

## 2. USING THE STOVE FOR THE FIRST TIME

- 2.1 When new, it is best to burn the fire at a low output for the first few days of use. This will allow the construction to settle and all fixing glues and paint to fully cure.
- 2.2 During this time the stove may give off some unpleasant odours, and we recommend that you keep the room well ventilated during this period to avoid a build-up of fumes.

## 3. BURNING WOOD

- 3.1 Open the **Airwash control** fully and open the **Primary air control** to approximately 25% open.
- 3.2 Place some pieces of firelighter or dry crumpled paper on the grate and cover with some small pieces of dry kindling wood. Light the paper or firelighters. Do not burn plastics.
- 3.3 To avoid the build up of condensation on the door glass it is advisable to leave the door slightly open as the fire establishes, and the glass warms.
- 3.4 As the fire becomes established add larger pieces of wood and fully close the door. Do not leave the stove with the door slightly open as this could over-fire the stove and cause permanent damage.

The stove may be operated with the door fully open if a sparkguard (Stockton 7 - Stovax part 7227/Stockton 8 - Stovax part 7228) is fitted.

- 3.5 As the fire becomes established close the **Primary air control** and control the burn rate using the **Airwash control** only.
- 3.6 To burn wood efficiently it is best to allow a bed of ash to build-up on the grate, and control the combustion using the **Airwash control** only.
- 3.7 Before re-fuelling the stove it is advisable to first rake the embers evenly over the firebed then open the **Airwash control** fully for a few minutes, to establish a glowing bed before adding new logs.
- 3.8 Allow the new logs to burn at high output for a few minutes before adjusting the burn rate with the **Airwash control** to the desired setting. It is best to refuel little and often to maintain clean and efficient burning.
- 3.9 The ideal control settings to suit the particular installation and personal preferences will be established by experience in using the appliance.
- 3.10 It is not recommended to load large amounts of logs and burn with the **Airwash control** on low settings for long periods of time. As this will reduce the effectiveness of the glass cleaning effect of the airwash. Also this will cause a large build up of tars and creosotes in the stove and flue system.

- 3.11 We would recommend that the stove is burnt at high output for at least 30 minutes each day when it is in use. This will help reduce the build-up of tars and creosotes within the appliance.

## 4. BURNING SOLID FUEL

- 4.1 Open the **Airwash control** to approximately 50% and the **Primary air control** fully.
- 4.2 Place some pieces of firelighter or dry crumpled paper on the grate and cover with some small pieces of dry kindling wood. Light the paper or firelighters. Do not burn plastics.
- 4.3 To avoid the build-up of condensation on the glass door it is advisable to leave the door slightly open as the fire establishes, and the glass warms.
- 4.4 As the fire becomes established add larger pieces of solid fuel and fully close the door. Do not leave the stove with the door slightly open as this could over-fire the stove and cause permanent damage.

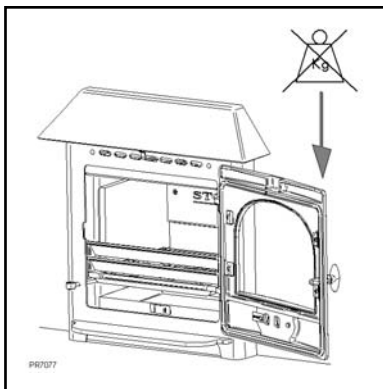
The stove may be operated with the door fully open if a sparkguard (Stockton 7 - Stovax part 7227/Stockton 8 - Stovax part 7228) is fitted.

- 4.5 As the fire becomes established reduce the **Airwash air control** to approximately 25% and control the burn rate using **Primary air control** only.
- 4.6 Before re-fuelling the appliance it is advisable to first de-ash the firebed, using the riddling grate system, operated by using removable handle to pull the riddling knob in and out. This causes the ash to fall down into the ashpan. **Do not use bare hands to operate the riddling system.**
- 4.7 Then open the **Primary air control** fully for a few minutes, to establish a glowing bed before adding new fuel.
- 4.8 Allow the new fuel to burn at a high output for a few minutes before adjusting the burn rate with the **Primary air control** to the desired setting. It is best to refuel little and often to maintain clean and effective burning.
- 4.9 The ideal control settings to suit the particular installation and personal preferences will be established by experience in using the stove.
- 4.10 It is not recommended to load large amounts of fuel and burn with the **Primary air control** on low settings for long periods of time. As this will reduce the effectiveness of the glass cleaning effect of the airwash. Also this will cause a large build-up of tars and creosotes in the stove and flue system.

# OPERATING INSTRUCTIONS

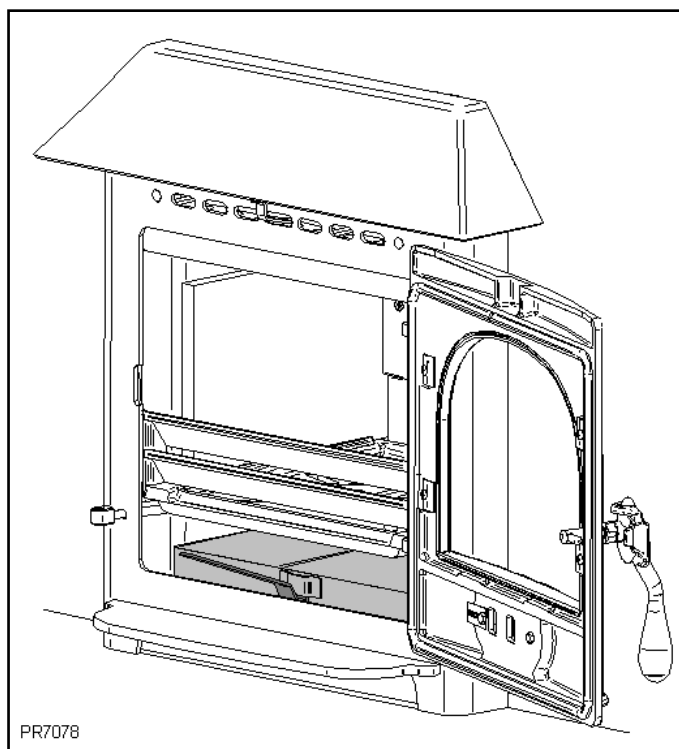
- 4.11 We would recommend that the appliance is burnt at high output for at least 30 minutes each day when it is in use. This will help reduce the build up of tars and creosotes within the stove.

**WARNING: DO NOT USE THE DOOR AS A REST OR SUPPORT WHEN REFUELLING OR ADJUSTING THE AIR CONTROLS AS THIS COULD CAUSE PERMANENT DAMAGE TO THE APPLIANCE.**



## 5. ASH REMOVAL

- 5.1 The burning of any fuel will product ash, which will have to be removed after a period of use. This time will depend on the fuel used. Before removing the ash from the stove it is advisable to let the fire burn down to a low level, or even go out completely. The ashpan can be removed from the stove using the tool provided, after opening the door.



- 5.2 As heat can remain in the ash for a long period after use care must be taken when removing and carrying the full ashpan. We suggest that the ashpan is carried using gloved hands. Or the ash is placed directly in to a Stovax Ash Caddle (Stovax part number 4228)
- 5.3 When burning wood the amount of ash will be smaller and may only need removal once every week. To do this, allow the fire to burn out and cool. Then after removing the log retainer scoop out the ash with the suitable shovel. It is best to leave a layer of ash in the stove to form a bed for the new fire.
- 5.4 Do not place ash in a bin made from plastic or any other combustible material.

## 6. RECOMMENDED FUELS

- 6.1 **Wood**  
Burn only seasoned timber, with a moisture content of less than 20%. In most cases this would require drying cut wood for 12 to 18 months before use. Poor quality timber could cause low combustion efficiency, produce large amounts of harmful condensation, which could reduce the effectiveness of the airwash system, and ultimately the life of the stove. **Do not burn painted or impregnated wood.**

The symptoms of poor performance related to wet wood include:-

- Difficulty getting a fire going and keeping it burning well
- Smokey fires with little flame
- Dirty glass
- Rapid creosote build-up in the chimney
- Low heat output
- Short burn times, excessive fuel consumption and blue/grey smoke from the chimney.

To help avoid large build-ups of tar and creosote within the stove and the flue system, it is recommended to burn at high output for at least 30 minutes each day. The use of Stovax Protector chimney cleaner will also help to reduce the problem.

- 6.2 **Solid Fuel**  
Burn manufactured smokeless fuels, or anthracite, list as suitable for use with closed heating stoves. **Do not burn 'petro-coke' or other petroleum based fuels, as this will invalidate the product guarantee.**

If you require advice on suitable solid fuels contact your local Approved Coal Merchant. Details can be obtained by ringing the solid Fuel Association advice line on freephone 0800 600 000. Or their web site at [www.solidfuel.co.uk](http://www.solidfuel.co.uk)

# MAINTENANCE AND SERVICING

## 1. GENERAL CLEANING

- 1.1 We would recommend that your Stockton stove be cleaned fully on a regular basis, according to the level of use. Attention should be given to cleaning the baffle system, flueways and removing ash. Regular cleaning and preventative maintenance will help give many years of safe use.

## 2. CLEANING GLASS

- 2.1 While the correct use of the airwash system, and good quality fuel, will generally keep the glass clean when the appliance is used you may sometimes need to clean the glass.
- 2.2 This can be done as follows. Allow the stove to cool fully, never attempt to clean hot glass. Any deposits can be removed using a soft cloth and Stovax Glass Cleaner.
- 2.3 Alternatively, it is possible to remove some stains using a soft cloth and warm soapy water, ensure the you do not wet the door sealing ropes.
- 2.4 Before re-lighting the appliance, dry the glass fully.
- 2.5 Do not use abrasive cleaner or cleaning pads.

## 3. CHIMNEY SWEEPING

- 3.1 We would recommend that to maintain the safe and efficient use of the appliance the flue/chimney is inspected and swept at least **once a year**.

At the end of the heating season it is recommended to strip, inspect and clean the stove as detailed:-

## 4. ANNUAL SERVICE

- 4.1 Remove the doors from the appliance.
- 4.2 Carefully remove all of the following internal parts: Internal Baffle, Firebricks and Ashpan. See sections 5 and 6 for the instructions on how to remove the baffles and firebricks.
- 4.3 Vacuum clean any remaining ash and debris from the inside of the stove.
- 4.4 Clean the internal surfaces of the stove using a wire brush and scraper as required. Vacuum and brush the resulting debris from the stove then give the inside of the stove a protective coating of light oil, such as WD40®. Take care not to get any oil on to the external paintwork of the appliance.
- 4.5 Clean the Baffle and Grate parts with a wire brush, and check the parts for any damage. Replace any damaged parts, if required, and coat all parts with a protective coating of light oil, such as WD40®.

- 4.6 Check and clean, with a soft brush, the Firebricks. Replace any broken bricks. It is normal for some surface damage to occur during use.
- 4.7 Re-fit cleaned internal parts.
- 4.8 Remove the glass from the door, see section 7, and discard all old rope seals.
- 4.9 Remove the door rope seal from the outer edge of the door, clean the old glue from the door sealing rope groove.
- 4.10 Clean the door glass using Stovax Stove Glass Cleaner and a soft cloth, do not use abrasive cleaners to remove tar or soot deposits from the glass.
- 4.11 Replace the glass seal with new and re-fit the glass into place in the door.
- 4.12 Fit new door rope seal, gluing it in place with Stovax Thermic Seal rope adhesive. When fitting new door seals we recommend closing the stove door and leaving for at least 12 hours before using. This allows the adhesive to fully bond to the seal before use.
- 4.13 Lightly oil the door catch mechanism and hinge pins. Avoid getting oil on to the door seals and glass.
- 4.14 To refresh painted finishes it is possible to re-paint using Stovax Thermolac Stove Paint. Stainless steel trim parts may be cleaned using Stovax Stainless Steel Cleaner.
- 4.15 We recommend that only genuine Stovax replacement parts are used to keep your appliance in safe and efficient working order. Your local Stovax dealer will be able to provide you with the genuine parts you require.

# MAINTENANCE AND SERVICING

This is a list of the maintenance products you may need to use

Task	Product Name	Stovax Code Number
Glass Cleaning	Stove glass cleaner 500ml-wipe on	4111
	Stove glass cleaner-spray on	4103
Preventing Build-up of Creosote in Flue	Protector (15 sachets)	7002
	Protector (1kg tub)	7025
Sealing Flue Pipe Joints	Fire Cement-500g tub	2020
	Fire Cement-600g cartridge	2021
Re-Painting	Thermolac Black (400ml aerosol)	2019
	Thermolac Black (200ml brush on)	2057
	Thermolac Metallic Blue (400ml aerosol)	2019BL
	Thermolac Metallic Brown (400ml aerosol)	2019BR
	Thermolac Metallic Green (400ml aerosol)	2019GR
Cleaning the Surface of Matt Black Stoves	Colloidal black (85ml)	7000
Protecting Your Hands	Heat resistant leather gloves	4008
Sealing the Stove Door	14mm Black rope seal-handy pack	5000
	14mm Black rope seal-25m pack	4670
	10mm x 2mm Insulation tape-handy pack	4951
	10mm x 2mm Insulation tape-25m pack	4955
Sealing the Stove Glass	3mm Black rope seal-handy pack	4975
	3mm Black rope seal-25m reel	4974
Fixing Door Seal	Thermic Seal Glue	5037

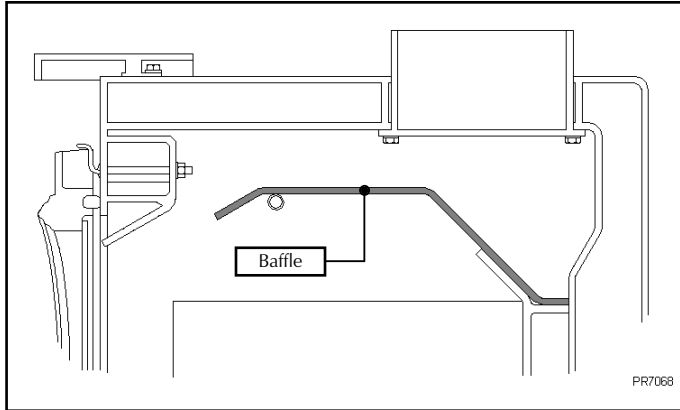
These products, all available from your local Stovax dealer, along with regular maintenance and use of correct fuels, will help your stove in the best possible condition.

- 4.16 Your Stockton stove will have contained a brochure illustrating all Stovax hearth and fireplace accessories. If this is mislaid, or you require more information about your Stovax products visit our web site [www.stovax.com](http://www.stovax.com).
- 4.17 When using the stove for the first time again it is best to burn the fire at low output for the first day of use. This will allow the new seals to settle and all new fixing glues and paint to fully cure.
- 4.18 During this time the stove may give off some unpleasant odours, and we recommend that you keep the room well ventilated during this period to avoid a build-up of fumes.
- 4.19 If you require help your Stovax dealer will be able to carry-out all of your service and maintenance requirements for a reasonable cost.

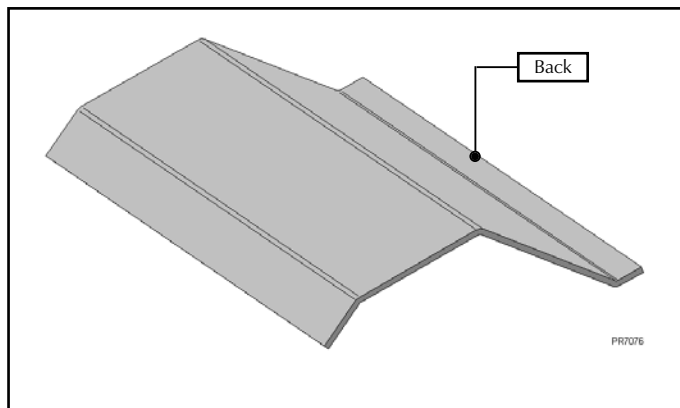
# MAINTENANCE AND SERVICING

## 5. FITTING AND REMOVING OF BAFFLE

- 5.1 To maintain efficient combustion the stove is fitted with a steel baffle in the top of the firebox.



- 5.2 Allow the stove to cool fully before removing the baffle.
- 5.3 To remove the baffle, first remove the Log Guard from the stove to give access to the firebox.
- 5.4 Remove the Baffle by lifting the front edge to clear the support bars, then pull the baffle forward to disengage the rear edge from the location above air inlet holes. Rotate the baffle to remove from the firebox through the door opening.



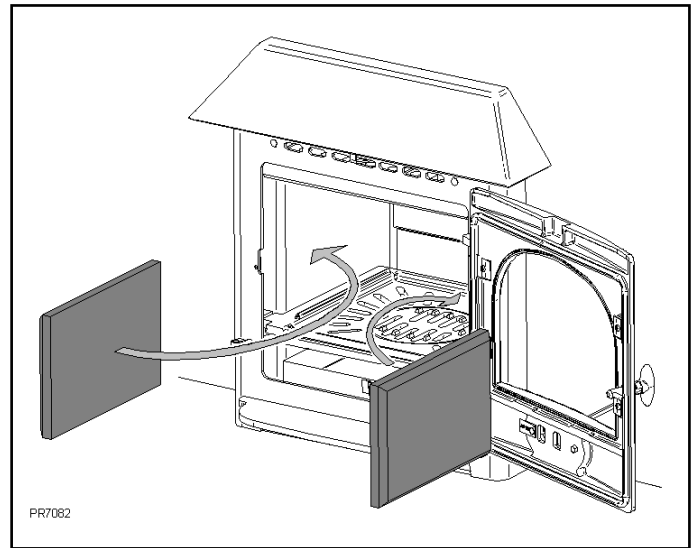
- 5.5 The replacement of the system is the reverse of the previous operations, ensuring it is replaced the correct way around.
- 5.6 It is important to remove the clean Baffle System to ensure the flue ways are clear of soot and debris and to ensure the safe and efficient operation of the stove. The frequency of cleaning will depend on the stove operating conditions.

- 5.7 The baffle system is designed to give safe and efficient operation of the stove. Replace any damaged baffles immediately.

- 5.8 Do not modify the baffle system.

## 6. FITTING AND REMOVAL OF FIREBRICKS

- 6.1 As part of the routine maintenance of the stove you may have to remove the firebricks from the stove. This can be carried-out without the use of tools, but the bricks must be removed and replaced, after removing the baffle system.
- 6.2 Allow the stove to cool fully before removing firebricks.



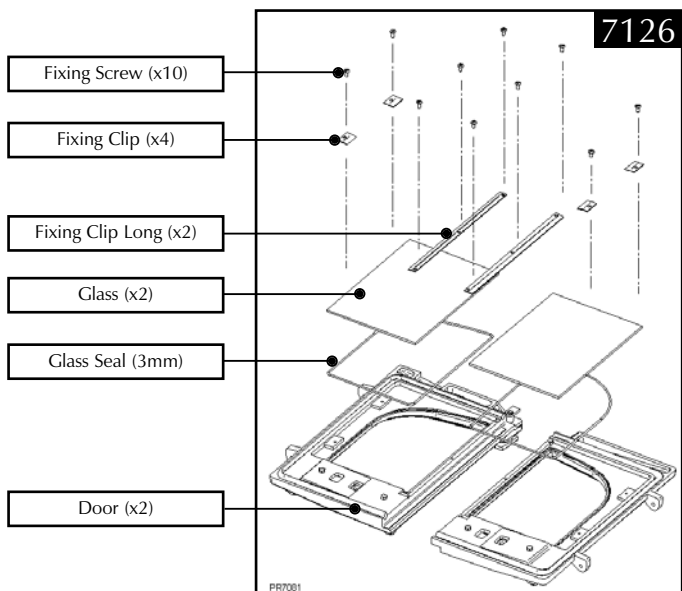
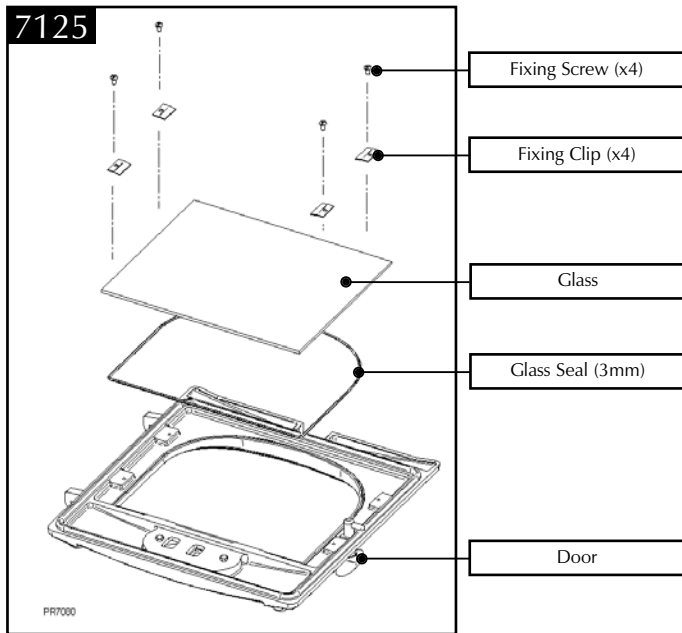
- 6.3 Replace the bricks in the reverse order from removal.
- 6.4 Care should be taken when handling bricks, as they can become fragile after a period of use. This is normal and the life will depend on the type of fuels burn and the level of use. Damaged bricks should be replaced as soon as possible, and can be purchased from your Stovax dealer.



# MAINTENANCE AND SERVICING

## 7. FITTING A NEW DOOR GLASS

- 7.1 To maintain the safe use of your stove you may need to replace a damaged door glass. To complete this operation, use this method.
- 7.2 Remove the door, by opening and lifting the door free of the hinge blocks. Then lie the door face down on a soft flat surface, to protect the paintwork and glass.

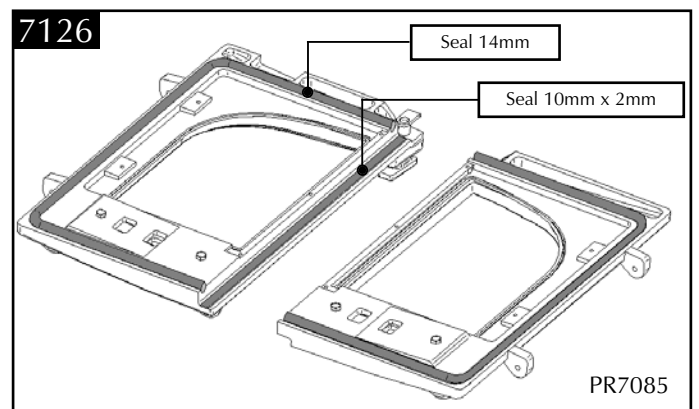
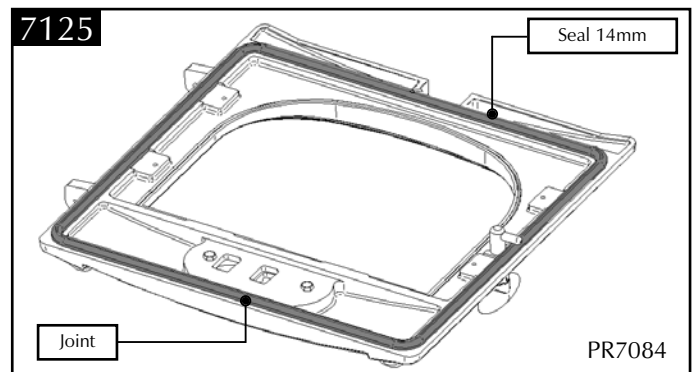


- 7.3 Using a screwdriver remove the glass clip fixing screws (4). The old glass can then be lifted clear of the door. (Note how the 3mm sealing rope is placed between the glass and the door.) Remember to dispose of the old glass safely.

- 7.4 Clean and re-paint, the rear door if required. Clean the screws with light oil or WD40®, this will aid future removal.
- 7.5 Fit a new sealing rope between the new glass and the door, and place the glass into position in the door. Place the glass fixing clips into position and re-fix with the clean fixing screws, tighten the screws evenly until the clips hold the glass. Do not over tighten the clips as this could break the glass.
- 7.6 Fit only Stovax ceramic glass, which is suitable to use in high temperature applications.
- 7.7 Using the stove with a damaged door glass could cause dangerous fumes to enter the room, of the stove to overfire, resulting in damage.

## 8. FITTING A NEW DOOR SEAL

- 8.1 To maintain the safe use of your stove you may need to replace a damaged or worn door sealing rope. To complete this operation, use this method.



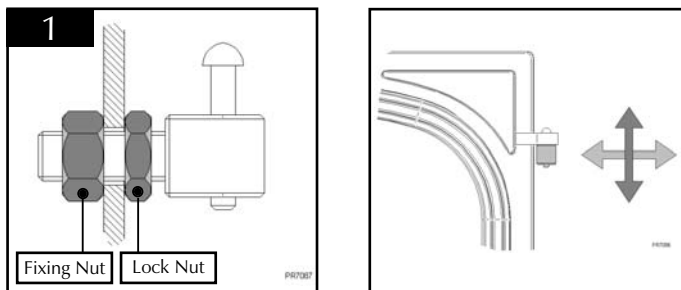
- 8.2 Remove the door from the stove, by opening and lifting the door free of the hinged blocks. Then lie the door face down on a soft flat surface, to protect the paintwork and glass.
- 8.3 Remove the old rope and scrape old glue from the locating groove. Clean the locating groove with a clean, dry cloth to remove all old dust and debris.

# MAINTENANCE AND SERVICING

- 8.4 Stockton 8 (7126) only, Remove the old centre strip seal and old fixing glue from the left hand door and use a clean, dry cloth to remove all old dust and debris.
- 8.5 Squeeze a generous bead of fresh Stovax Thermic Seal Glue into the rope locating groove. Press the new Stovax rope into the locating groove, placing the joint in the middle of the lower edge of the door.
- 8.6 Stockton 8 (7126)only, apply a bead of fresh Stovax Thermic Seal Glue to the centre seal location on the left hand door.Press a new seal strip into position.
- 8.7 Refit the door and close the door to apply pressure to new rope. Leave the stove closed for at least 12 hours before lighting the stove and using at a low output for approximately one day.
- 8.8 Using the stove with damaged door seals could cause dangerous fumes to enter the room, or the stove to overfire, resulting in damage.

## 9. ADJUSTING DOOR HINGES

- 9.1 To maintain the safe use of your Stockton, you may need to adjust the door hinges to ensure the safe, correct closing of the door. Complete this operation as follows.
- 9.2 Open the door to give access to the hinge block fixing nut.



- 9.3 Using a 20mm A/F spanner loosen the fixing nut inside the stove as shown in diagram 1, and reposition the hinge blocks to achieve a correct fit. This may need a trial and error approach to find the correct position.

## NOTES



**Stovax Ltd, Falcon Road, Sowton Industrial Estate, Exeter, Devon, England EX2 7LF**  
**Tel: (01392) 474011 Fax: (01392) 219932 E-mail: [info@stovax.com](mailto:info@stovax.com) [www.stovax.com](http://www.stovax.com)**