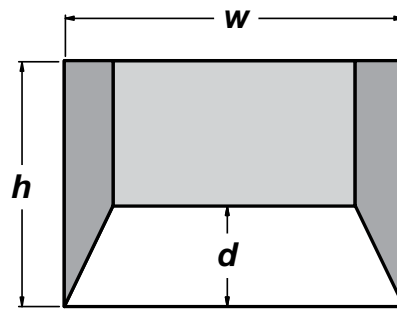
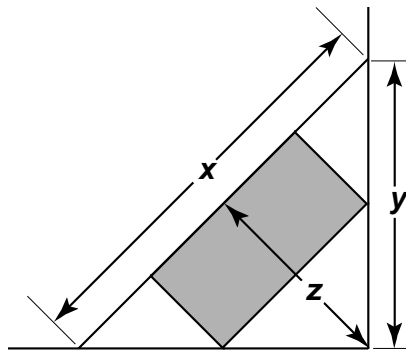


LOCATION

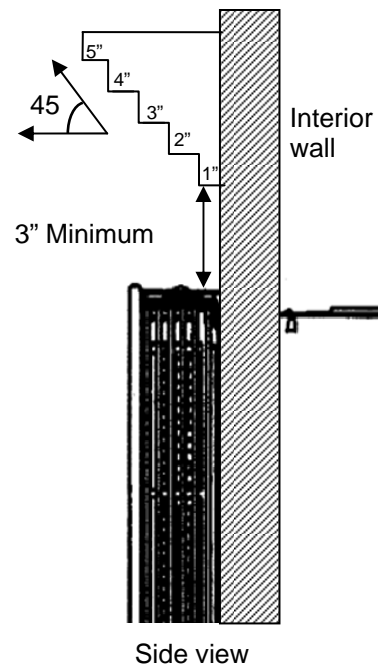
Minimum Enclosure Dimensions	
Width (w)	33.8 in (860 mm)
Height (h)	26.0 - 26.2 in (660-665 mm)
Depth (d)	15.0 - 16.9 in (380-430 mm)



Minimum Enclosure Dimensions in a Corner	
x	63.8 in (1620 mm)
y	45.1 in (1146 mm)
z	31.9 in (810 mm)



Clearances for a mantle or decorative overhang



FASCIAS

Available Fascias (Front Panels)

Description	Part Number
Flat Metal - Black Front	R2700
Flat Metal - Stainless Steel Front	R2701
Radius Glass - Silver Front	R2702
Radius Glass - Black Front	R2703

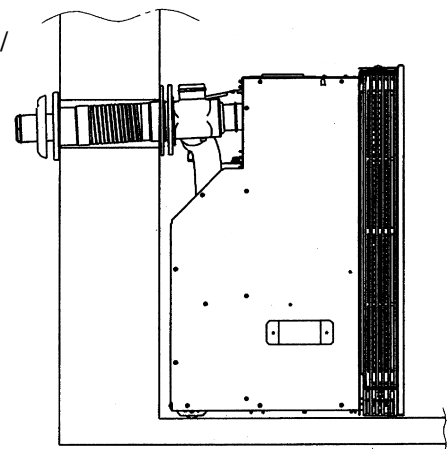
VENTING WITH NO EXTENSIONS

Name	Kit No.	fits walls
Vent Kit A	FOT-203	4 1/3 - 9 1/2 inch (110 - 240 mm)
Vent Kit B	FOT-204	9 1/2 - 15 3/4 inch (240 - 400 mm)

Wall penetration hole: 3 1/2 in (90 mm)

Flue extensions are not authorized to be used with the FOT-203 and FOT-204 manifolds.

FOT-203 /
FOT-204



VENTING WITH EXTENSIONS

Certified and Listed Vent Products

Manufacturer: Metal-Fab

Product: Corr/Guard

Part Number	Description
3CGRFA	Adapter Kit (available from Rinnai)
3CGDS	Condensate Collector
3CGRVT	Vertical Termination
3CGRHT	Horizontal Termination
3CG6	6" Vent Pipe Extension
3CG12	12" Vent Pipe Extension
3CG18	18" Vent Pipe Extension
3CG24	24" Vent Pipe Extension
3CG36	36" Vent Pipe Extension
3CGRHA	90 Degree Vent Pipe Elbow

NOTICE

Installations depicted are examples of configurations only and exclude brackets, flashing, trim, and other accessories required for a complete installation.

Follow the guidelines in the Rinnai RHFE-750ETRA manual and follow the Metal-Fab installation instructions for installing the venting.

Refer to the Metal-Fab direct vent system components catalogue to determine the parts required for you particular vent application.

Maximum Length = 33 feet (10 m) and 3 elbows

