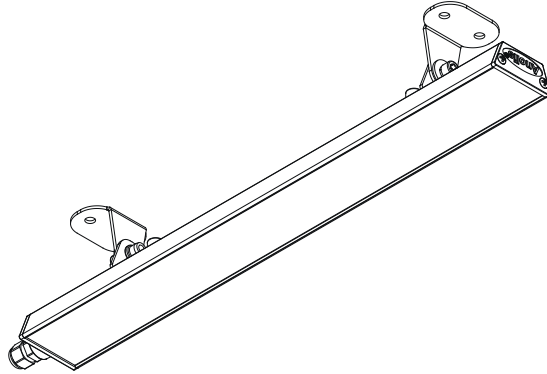


User instructions

ArcLine 12 RGB,ArcLine 24 RGB,ArcLine 36 RGB

The modules generate coloured light using red,green and blue LEDs.The products were designed to use with the ArcPower 36 and for indoor use only.

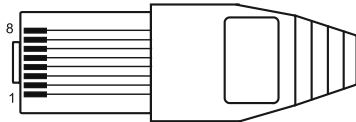


1.Attention:

- Do not install the module near high in flammable liquids or materials
- Do not allow anything to rest on the module
- Do not use the module near high humidity or water or expose to the rain
- Do not install the module near the naked flames
- Do not install the module in dirty,dusty or badly ventilated location

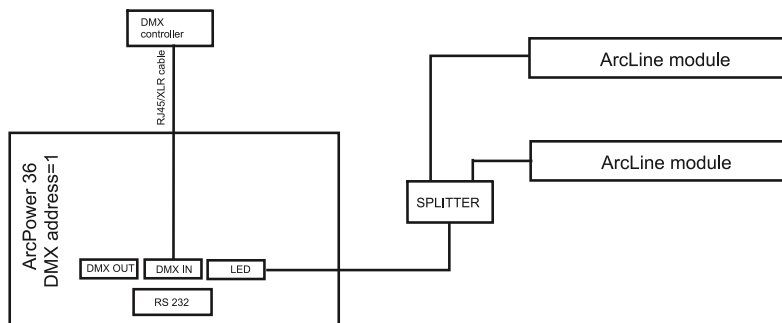
2.Device connection:

Connection of the RJ45 plug
(View facing pins)



Pin	Colour (Wire)	Function
1	white/orange	Red LED +
2	orange	Green LED +
3	white/green	Blue LED +
4	blue	Not used
5	white blue	Red LED -
6	green	Green LED -
7	white/brown	Blue LED -
8	brown	Not used

3.Typical installation:



LED modules are supplied with 1.5 meters of cable for direct connection to the ArcPower 36 (ArcPower 144).

See ArcPower 36 (ArcPower 144) user manual for full details of mains power requirements and DMX operation.

LED modules should only be connected to ArcPower units.

CAUTION!
Avoid looking directly into the LED light beam at close range!

4. Technical specifications:

ArcLine

	12 RGB	24 RGB	36 RGB
Input voltage:	48 volts DC	48 volts DC	48 volts DC
Maximum Power Consumption:	13.6 watts	27.2 watts	40.8 watts
Power /Data Connection:	RJ45 8x8	RJ45 8x8	RJ45 8x8
Compatible Power Supplies:	ArcPower 36	ArcPower 36	ArcPower 36
Operating Ambient Temp. Range:	-20°C/+40°C	-20°C/+40°C	-20°C/+40°C
Operating Temperature:	+50°C@ambient 25°C	+50°C@ambient 25°C	+50°C@ambient 25°C
Cooling System:	conduct. cooling system	conduct. cooling system	conduct. cooling system
Optical Systems Available:	170 degree wide angle LED's	170 degree wide angle LED's	170 degree wide angle LED's
Typical Lumen Maintenance:	70% @ 50,000 hours	70% @ 50,000 hours	70% @ 50,000 hours
Led Life Expectancy:	minimum 50,000 hours	minimum 50,000 hours	minimum 50,000 hours
Construction:	precision extruded alluminium	precision extruded alluminium	precision extruded alluminium
Installation method:	Integral univers. mount. system	Integral univers. mount. system	Integral universal mounting system
Flammability:	94v-0 flame class rating	94v-0 flame class rating	94v-0 flame class rating

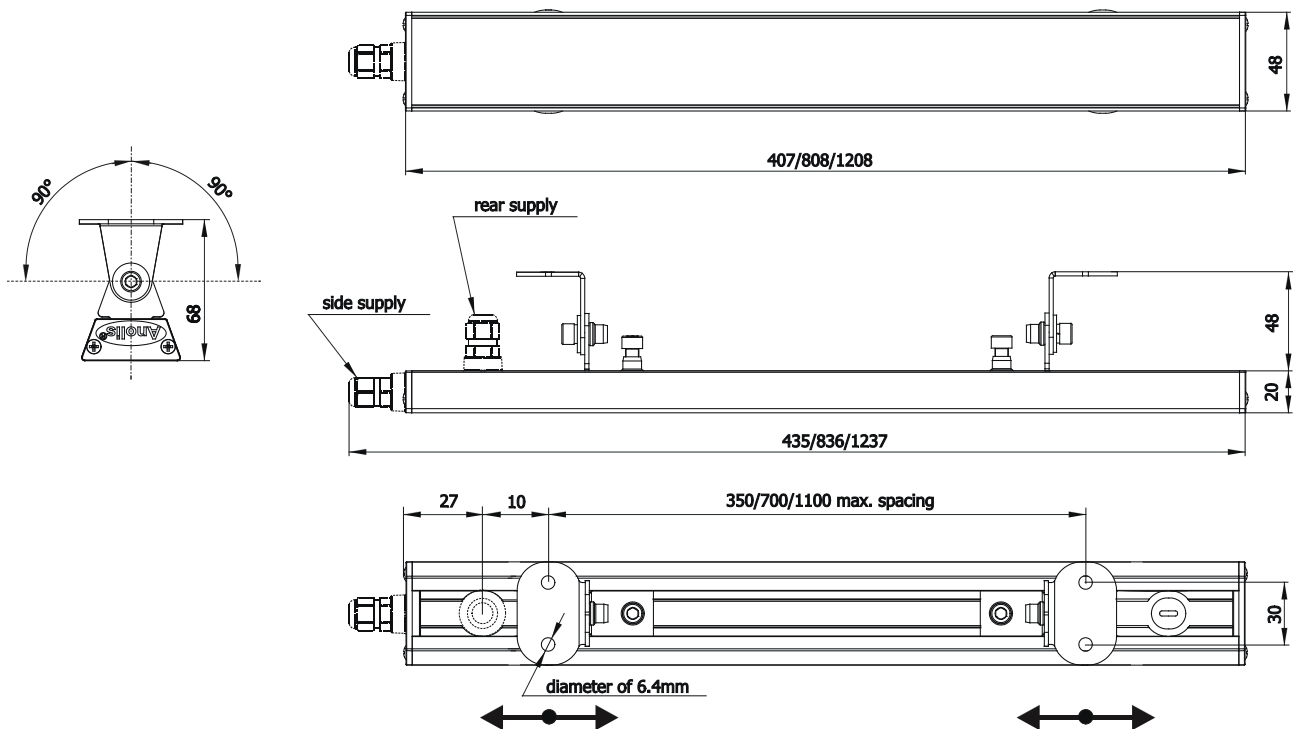
5. Available Models:

ArcLine 12 RGB	400mm
ArcLine 24 RGB	800mm
ArcLine 36 RGB	1200mm

All above-mentioned models are available with the side power supply connection or rear power supply connection.

6. Dimensions:

(All dimensions are in mm)



7. Accessories

- Allen wrench.....1 piece
- Splitter.....1 piece (No. 13050690)

8. Maintenance

- Keep the module dry.
- Operate only in places where the sufficient airflow to cool the module is present
- Periodically clean the front transparent cover. Use a moist, lint-free cloth. Never use alcohol or solvents!