



WARMLY YOURS
MAKING COMFORT EASY



**User Manual for WarmlyYours
Under Area Rug Warmer**

Thank you for choosing the WarmlyYours Under Area Rug Warmer (Warmer). This product fits discreetly beneath area rugs throughout the home to add luxurious warmth without unsightly vents or portable heaters. Radiant warmth gently rises from floor-to-ceiling across the full surface area of the Warmer.

SAFETY INFORMATION



- Never cut or trim the Warmer to fit an area rug that is smaller.
- Never use the Warmer in bathrooms or other wet areas.
- Never shampoo or steam clean an area rug while the Warmer is underneath.
- Never use the Warmer on stairways or steps.
- Never lay on or sleep on top of unit
- Never drop or place heavy solid objects with a footprint of 6” x 6” or larger, such as an armoire or stereo equipment, on top of the Warmer.
- Never place any items other than an area rug over the system. This includes but is not limited to: Duvets, pet beds, bean bags, chairs, air mattresses, pillows, etc.
- Never staple or otherwise puncture the Warmer with sharp objects.
- Never use over another radiant floor warming system.
- Never fold the Warmer or overlap multiple Warmers.
- Never place non-slip padding or any other type of padding on top of the Warmer.
- Never use Warmer over vinyl flooring.
- Consult manufacturer’s recommendations when using over hardwood, laminate or engineered wood flooring.

CLEANING INFORMATION

Clean your Under Area Rug Warmer by shaking the rug out and/or lightly vacuuming it. Never shampoo or steam clean an area rug while the Warmer is underneath.

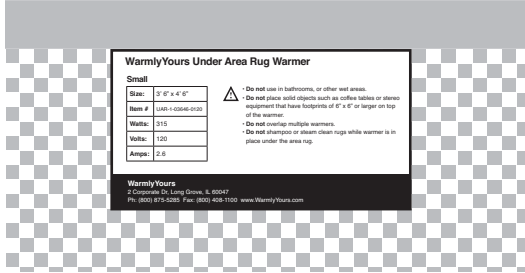
INSTALLATION AND OPERATIONAL INSTRUCTIONS

This appliance must be installed in accordance with the instructions in this manual. Please read all instructions before installing and operating the Under Area Rug Warmer.

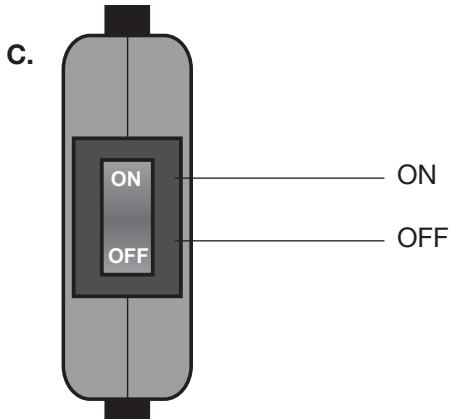
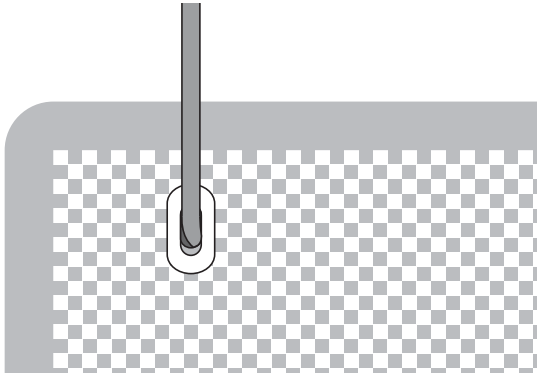
1. Clean the floor of any debris or sharp objects.
2. Lay the Warmer flat on the floor and unroll it fully; it may take up to 30 minutes for the Warmer to lay completely flat.
3. Be sure the Warmer is right side up. The side with the non-slip padding, product tag and attached cord should be facing downward toward the floor. **(Diagram A & B)**
4. Remove any excess cord from underneath the Warmer before connecting the power cord to the electrical outlet. Plug the Warmer into a standard 120V, 15A electrical outlet.
5. Select the “on” position located on the rocker switch to turn the warmer on. **(Diagram C)**
6. Cover the Warmer with your area rug to enjoy the warmth. The area rug must completely cover the system with a 1” space on all sides.
7. Do not place furniture with a footprint larger than 6” x 6” on top of the area rug when the Warmer is underneath. Doing so could cause a heat build up which could compromise the integrity of the furniture as well as the Warmer.
8. Turn the warmer off when not in use.

DIAGRAMS

A. BOTTOM



B. BOTTOM



TESTING YOUR APPLIANCE LEAKAGE CURRENT INTERRUPTER (ALCI)

- Test the ALCI periodically by pressing the white button while the Warmer is in operation. This will cause the red button to pop up and disconnect the Warmer from the power supply.
- Reset the ALCI by pressing the red button to reconnect the Warmer to the power supply.

PRODUCT SPECIFICATIONS

Product Purpose

- The purpose of the Under Area Rug Warmer (Warmer) is to gently warm the surface of an area rug to a temperature of up to 100°F bringing soothing radiant warmth to that area of the room.
- The Warmer is portable, connects to a standard electrical outlet, and can be installed quickly and easily beneath a new or existing area rug.
- The system may be used for any residential application where you have an area rug and additional warmth is desired, such as your family room, recreation room, sunroom and dining room.

Specifications

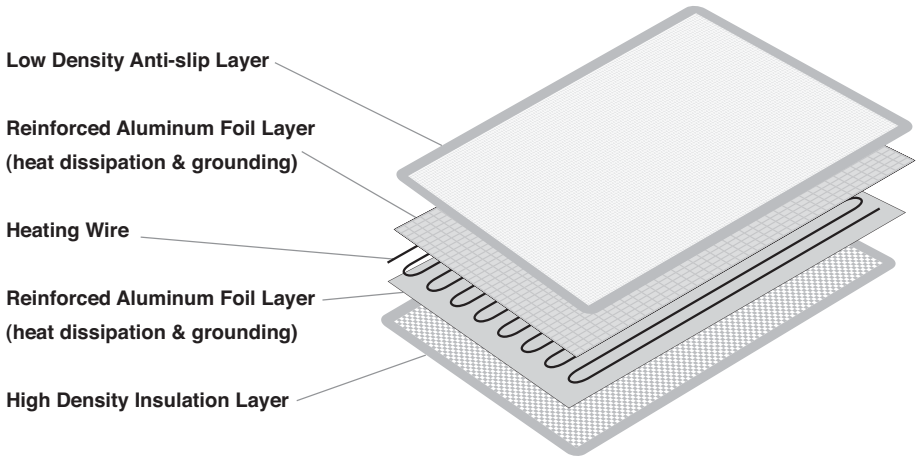
Model	Dimensions	Watts	Volts	Amps
UAR-1-03646-0120	3'6" x 4'6"	315	120	2.0
UAR-1-04979-0120	4'9" x 7'9"	735	120	6.0

Product Construction

The product has a total thickness of less than ¼” thick and is constructed in 5 layers:

- High Density Thermal Anti-slip matting—insulates and prevents the rug from slipping on smooth or polished floors.
- Reinforced Aluminum Foil—facilitates heat dissipation and electrical grounding.
- Coaxial Tefzel® extruded insulation warming element—spaced for uniform heating.
- Reinforced Aluminum Foil—facilitates heat dissipation and electrical grounding.
- Low Density Anti-slip matting—prevents rug from slipping on top of the Warmer while allowing heat to transfer through.

Product Diagram

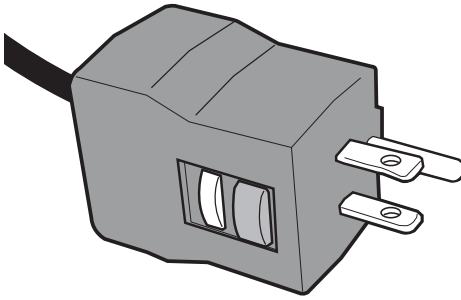


Connection Method

Wall plug (**Diagram D**) has built in, ALCI plug connected to an 18AWG, SVT cable; 105°C power cord with 6A, 120VAC rated in-line ON/OFF switch. The plug, cord and switch are UL listed components.

ALCI WALL PLUG FOR CONNECTION TO OUTLET

D.



Safety Ratings

- The system is water resistant and rated to IPX 7.
- The main electrical plug incorporates an ALCI for North America.
- Plug is UL and NEC (National Electrical Code) compliant.