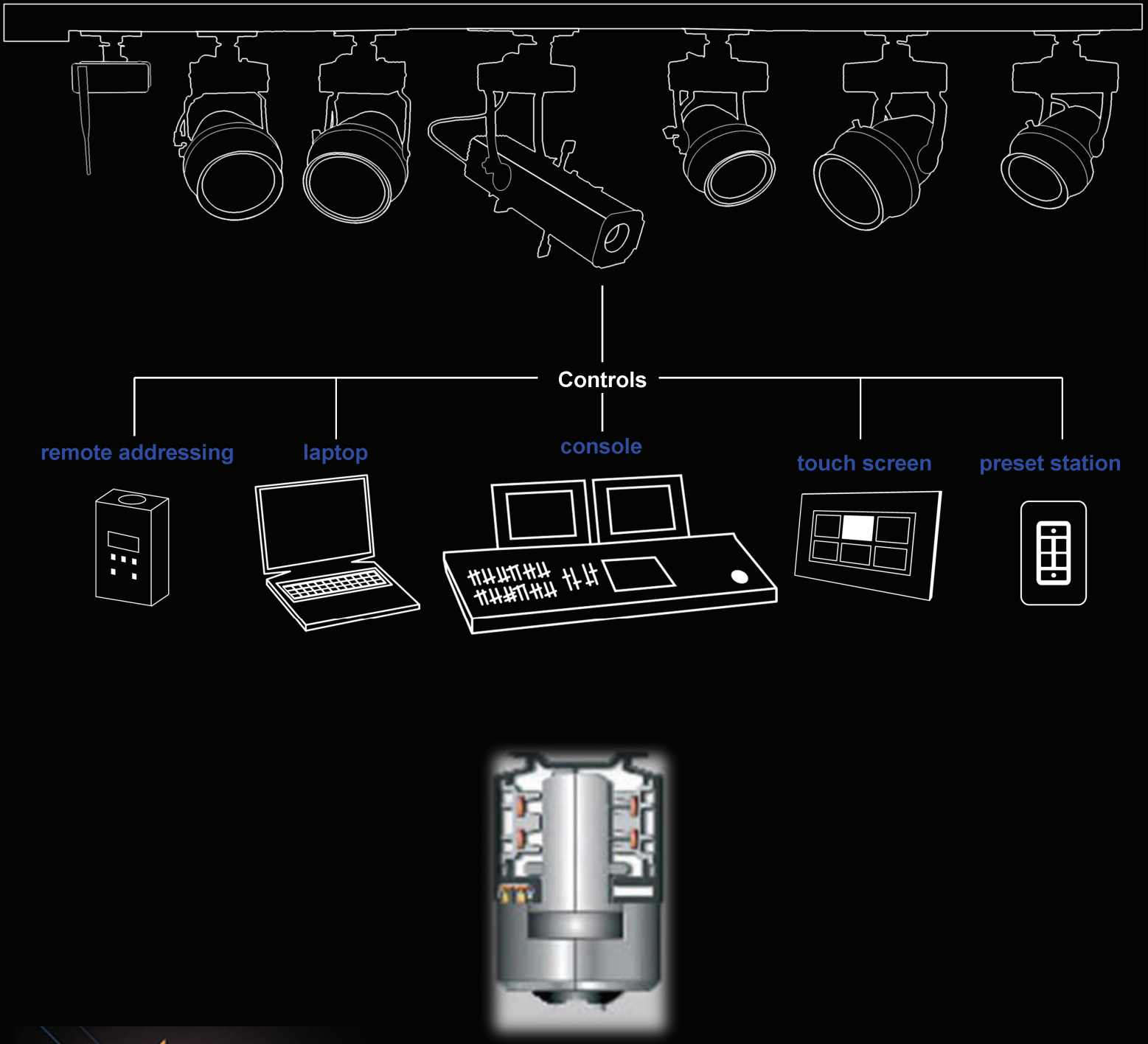


# Altman Lighting Smart-Track® Lighting System User Manual



# Altman Lighting 2 Circuit Smart Track Table of Contents

Smart Track Introduction	3
Smart Track Part and Accessories	4
Smart Track Planning Aid	9
Smart Track Lighting & Track Specifications	16
Safety & Installation Instructions	17
Smart Track LED Fixture Settings	18
Smart Track Quartz & HID Settings	21
Smart Track Fixture Installation	22
Smart Track Maximum Weight Loads	23
Smart Track 120 V AC Wiring	23
Smart Track Fixture RDM Features	24
RAD (Remote Authorization Device)	26

[www.altmanlighting.com](http://www.altmanlighting.com)

57 Alexander St., Yonkers, NY 10701  
Tel: 1-800-4Altman Fax: 914-963-7304

**ALTMAN**  
Lighting, Inc.  
BRINGING IMAGINATION TO LIGHT

# Altman Lighting 2 Circuit Smart Track Introduction

## Smart Track

Altman Architectural/ Theatrical Smart Track Lighting Systems is a revolutionary way to bring digital control signals to addressable architectural/ theatrical luminaires without the need for dimmer packs and bulky cable runs.

Altman Smart Track is easy to lay out, install and offers lighting professionals the opportunity to easily create and activate new lighting scenes time after time. The Smart Track Lighting System works in conjunction with Altman Smart Track luminaires; from the IQ Series, a family of pars, UV, LED and wall washers; the Master & Micro Series of pars and ellipsoidals, and select Theatrical fixtures. Quartz, CDM, low voltage and LED selections are available in both Smart to Non-Smart versions of various types.

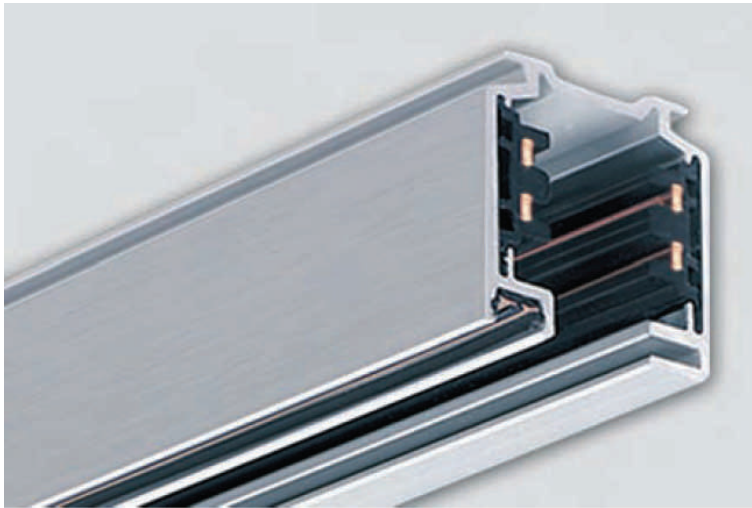
Smart units have an addressable DMX dimmer for quartz units, a DMX on/off relay for CDM and on board power supply and DMX interface for LED lighting units. Non-Smart units work via direct power and cannot be addressed or controlled. With Smart Track you can dim individual quartz lamps; switch the CDM lamps on and off; as well as dim and color mix LED sources. The unique features and capabilities of Altman Smart Track make it the ideal solution for many applications. The system is suitable for retail stores, museums, churches, restaurants, theme parks, night clubs and much more. The range of applications for Altman Smart Track is as varied as the looks the system makes possible.

Altman Smart Track is a comprehensive system of components that offers innovative solutions for transporting control signals as well as power to individual luminaires. Whether using simple architectural stations; a laptop; or a DMX based theatrical lighting console, the lighting professionals are always in control with Smart Track. The heavy duty extruded aluminum track is ideal for demanding applications where a low profile look is desired but numerous luminaires are required. The Altman Smart luminaires retain their identity and programming, even when moved to new location on the track.

Automated luminaires as well as other DMX luminaires and accessories may be controlled from the Altman Smart Track by using a Smart Track DMX convenience adapter. AC convenience adapters are also available. Non DMX luminaires can be controlled via the Smart Box, a Smart 600 watt maximum load addressable dimmer with a receptacle for powering and dimming from the track. Support for these types of fixtures is independent from the track.

For total flexibility, you can choose your protocol. Smart Track is compatible with DMX and RDM (Remote Device Management). It can also be integrated into existing systems to easily expand new designs. By incorporating the digital control signal into the track, the Smart Track system allows dimming, switching and effects to be obtained when using any of the numerous compatible Altman luminaires. With the quartz and CDM luminaires with on board control as well as Altman Spectra series luminaires for color mixing, the lighting potentials are endless.

# Altman Lighting 2 Circuit Smart Track Parts & Accessories



All part numbers ending in -\* are available in white, black or silver.  
Add the following codes to finish: **3-1** for Silver **2-2** for Black **1-3** for White

## Smart Track

2 Circuit/ 2 Neutral surface track with DMX/ data bus offers the ability to control individual Altman Lighting luminaries with addressable on board DMX dimmers, HID on/ off relay or LED color changers.

### Part numbers

**ASL-23310-\*** 4' Section 2 Circuit Smart Track

**ASL-23320-\*** 8' Section 2 Circuit Smart Track

**ASL-23330-\*** 12' Section 2 Circuit Smart Track

## Smart Track Features



### Color and finish

The track is available in black or white powder coat or silver anodized. All system components and adapters are available in white, black or painted finish.



### Easy to cut on site

Any given profile can be easily cut to length on site. It is not necessary to cut back and bend back copper wire.



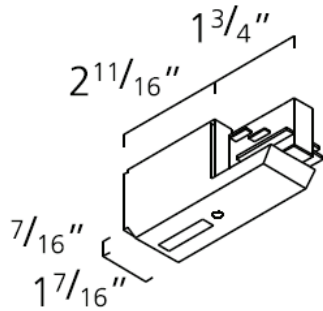
### Mounting Points

The track has pre-punched holes 1/4" (6mm) x 3/8" (35mm) for surface mounting. The holes are spaced 8" on center and can be easily pushed out using a screwdriver.



# Altman Lighting 2 Circuit Smart Track Parts & Accessories

All part numbers ending in -\* are available in white, black or silver.  
Add the following codes to finish: **3-1** for Silver **2-2** for Black **1-3** for White



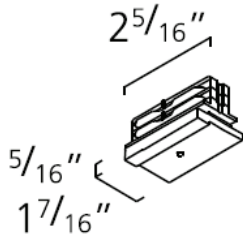
## Live End Feeds

With gold plated DMX/data bus contacts & nickel plated line voltage springs for feeding AC and DMX in or out.

### Part Numbers

ASL-99802-\* DMX contacts inside

ASL-99803-\* DMX contacts outside



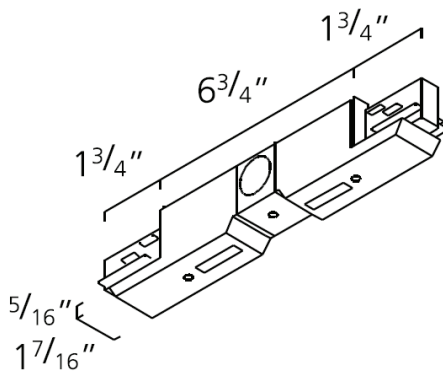
## Straight Coupler

Recessed, for butt joint of two pieces of Smart Track with DMX/ data contacts. For feeding through DMX and AC only.

Non-Feed

### Part Number

ASL-99874-\*



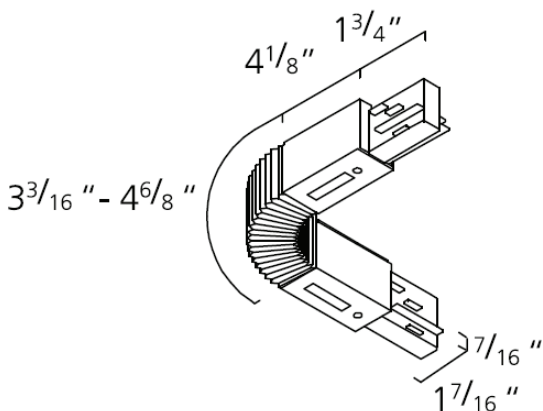
## Electrical Straight Coupler

Straight coupler for joining two pieces of Smart Track. Can be used as a feed for either DMX/ data or AC.

Note: DMX/ data must run linear.

### Part Number

ASL-99806-\*



## Flexible Coupler .

The flexible connector can be used from 30° to 330°. Can be used as a DMX/ data & AC feed or as a pass through.

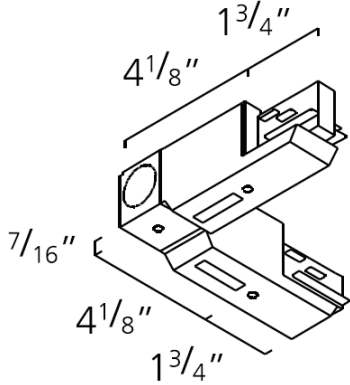
Note: DMX/ data must be run linear.

### Part Number

ASL-985812-\*

# Altman Lighting 2 Circuit Smart Track Parts & Accessories

All part numbers ending in -\* are available in white, black or silver.  
Add the following codes to finish: **3-1** for Silver **2-2** for Black **1-3** for White



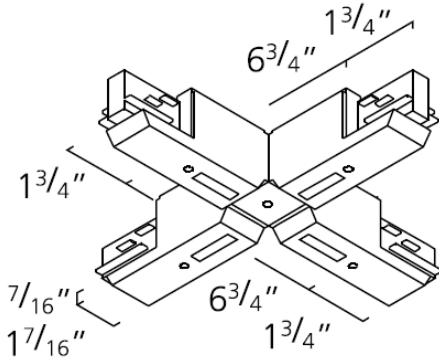
## L-Coupler

L-Coupler with DMX/ data contacts. Can be used as a feed for either DMX/ data or AC. Note: DMX/ data must be run linear.

### Part Numbers

ASL-99809-\* DMX contacts inside

ASL-99810-\* DMX contacts outside

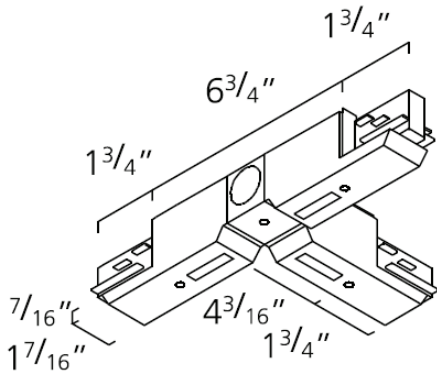


## X-Coupler

4 x 90° Joiner. Can be used as a DMX/ data & AC feed or as a pass through. Note: Special care must be taken when laying out and wiring DMX/ data in and out of the X-Coupler to keep the DMX running linear. This means breaks inside the X on the control signal may be necessary. More than one DMX/ data line may need to be run.

### Part Number

ASL-99816-\*

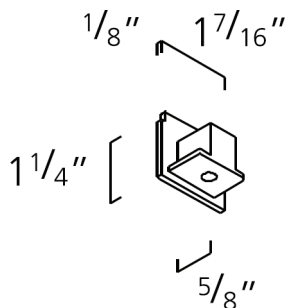


## T-Coupler

T-Coupler for joining 3 x track sections. Can be used as a DMX/ data & AC feed or as a pass through. Note: Special care must be taken when laying out and wiring DMX/ data in and out of the T-Coupler to keep the DMX running linear. This means breaks inside the T on the control signal may be necessary. More than one DMX/ data line may need to be run.

### Part Number

ASL-99814-\*



## Dead End Cap

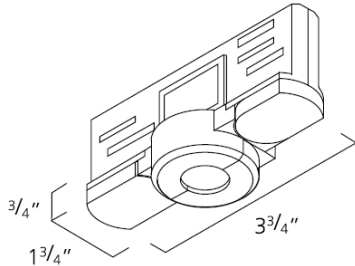
End cap for end of track run

### Part Number

ASL-99900-\*

# Altman Lighting 2 Circuit Smart Track Parts & Accessories

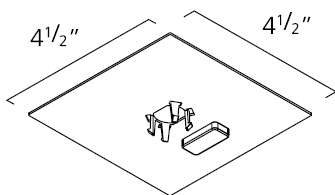
All part numbers ending in -\* are available in white, black or silver.  
Add the following codes to finish: **3-1** for Silver **2-2** for Black **1-3** for White



## DMX Track Terminator

Smart Track adapter with 100 ohm resistor wired across data positive and data negative for ending a single DMX/ data run. Must be used at the opposite end of the DMX/ data feed.

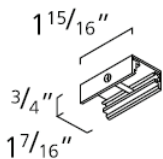
**Part Number**  
**ASL-99780-\***



## J-Box Cover

The J-Box cover can be used with any AC feed component.

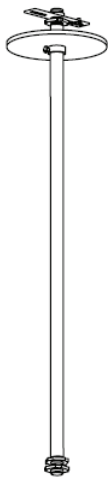
**Part Number**  
**ASL-198600006\***



## Mounting Clip

Attaches to upper groove of track as shown. Can be used with threaded rod up to 3/8" with contractor supplied hardware or stem and canopy kits below.

**Part Number**  
**99-198000001-\***



## Stem Mounting

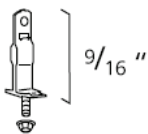
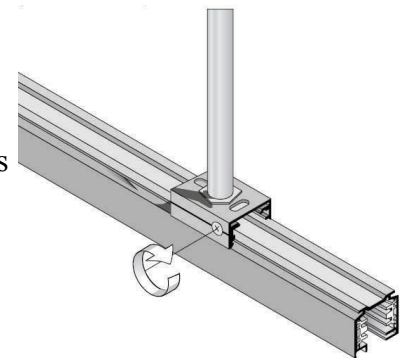
### Part Numbers

**99-19810000900W-\*** 5" Diameter Canopy Kit for stem suspension. Needed for attaching stem to J-Box or other structures.

**99-19810002301W-\*** 3/8" Pendant Stem 24" Long

**99-19810002401W-\*** 3/8" Pendant Stem 48" Long

Stems cannot be cut in the field unless the cut stem can be re-thread stem on site.



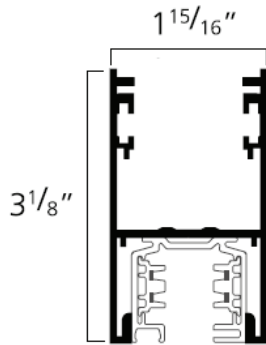
## T-Bar Clip

For surface mounting with 15/16" T-Grid systems with support independent of ceiling. Silver only

**Part Number**  
**ASL-000004-01**

# Altman Lighting 2 Circuit Smart Track Parts & Accessories

All part numbers ending in -\* are available in white, black or silver.  
Add the following codes to finish: **3-1** for Silver **2-2** for Black **1-3** for White

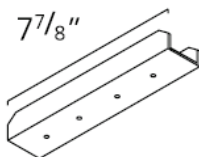


## Pendant H-Profile

Housing for Smart Track for aircraft cable or stem mounting where a wire way may be needed or a strengthened support. Silver Anodized only. Can be custom powder painted.

### Part Number

**ASL-459-403** 160" Length - Can be field cut

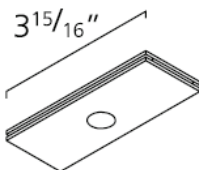


## H-Profile Joiner

Mechanical straight coupler for connecting 2 x H-Profile. Hardware by others.

### Part Number

**ASL-99-688-0** Silver Only

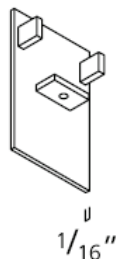


## H-Profile Clip

Clip for mounting aircraft cable, stem or threaded rod to H-Profile. Slides into top groove in H-Profile.

### Part Number

**ASL-198-000009-0** Silver Only



## H-Profile End Plate

For capping off the ends of the H-Profile. Silver only. Can be custom powder painted.

### Part Number

**ASL-99-687-3**



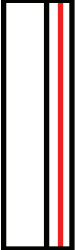








# Planning Aid For Track, Components & DMX Contacts

The Altman 2 Circuit Smart Track incorporates a 2 contact DMX/track bus running along the inside of the track profile.

When Planning the layout make sure the course of the DMX/Data Bus is continuous.

For example: without change or intersection.

The positions of the Data buses are defined when looking at the track opening. The necessary live ends and connecting parts are to be selected from the symbols key below.

	<b>Data Positive</b>	ASL-23310-*	4' Smart Track
		ASL-23320-*	8' Smart Track
		ASL-23330-*	12' Smart Track
	<b>Data Negative</b>	<i>This symbol can be any of the above track pieces cut to different lengths in the field.</i>	
		ASL-99802-*	Live End w/DMX Data Contact Inside
		ASL-99803-*	Live End w/DMX Data Contact Outside
		ASL-99874-*	Straight Coupler
		ASL-99809-*	L Coupler w/DMX Data Contact Inside
		ASL-99810-*	L Coupler w/DMX Data Contact Outside
		ASL-985812-*	Flexible Connector
		ASL-99780-*	DMX Terminator
		ASL-99900-*	Dead End Cap

The following examples show track seen from above.

The opening of the track shows downwards.

# Planning Aid For Track, Components & DMX Contacts

**Example 1**  
Single Smart Track  
Straight Run-Feed Right



AC & DMX Data Feed In

**Example 2**  
Single Smart Track  
Straight Run-Feed Left

AC & DMX Data Feed In



**Example 3**  
Straight Run w/ 2 Tracks &  
Middle Joiner



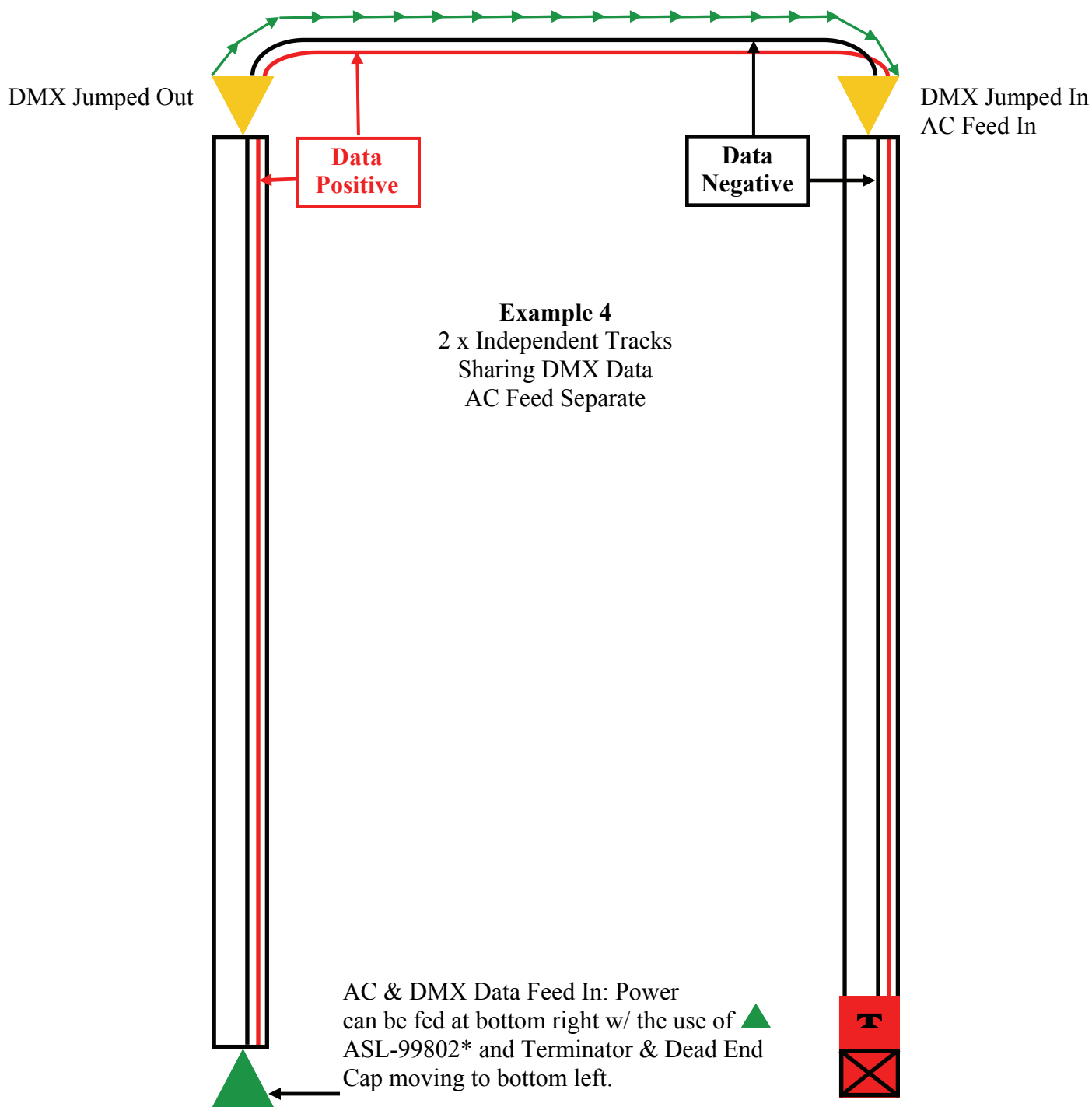
AC & DMX Data Feed In

The following examples show track seen from above.  
The opening of the track shows downwards.

[www.altmanlighting.com](http://www.altmanlighting.com)

**ALTMAN**  
Lighting, Inc.  
BRINGING IMAGINATION TO LIGHT

# Planning Aid For Track, Components & DMX Contacts



Track 1

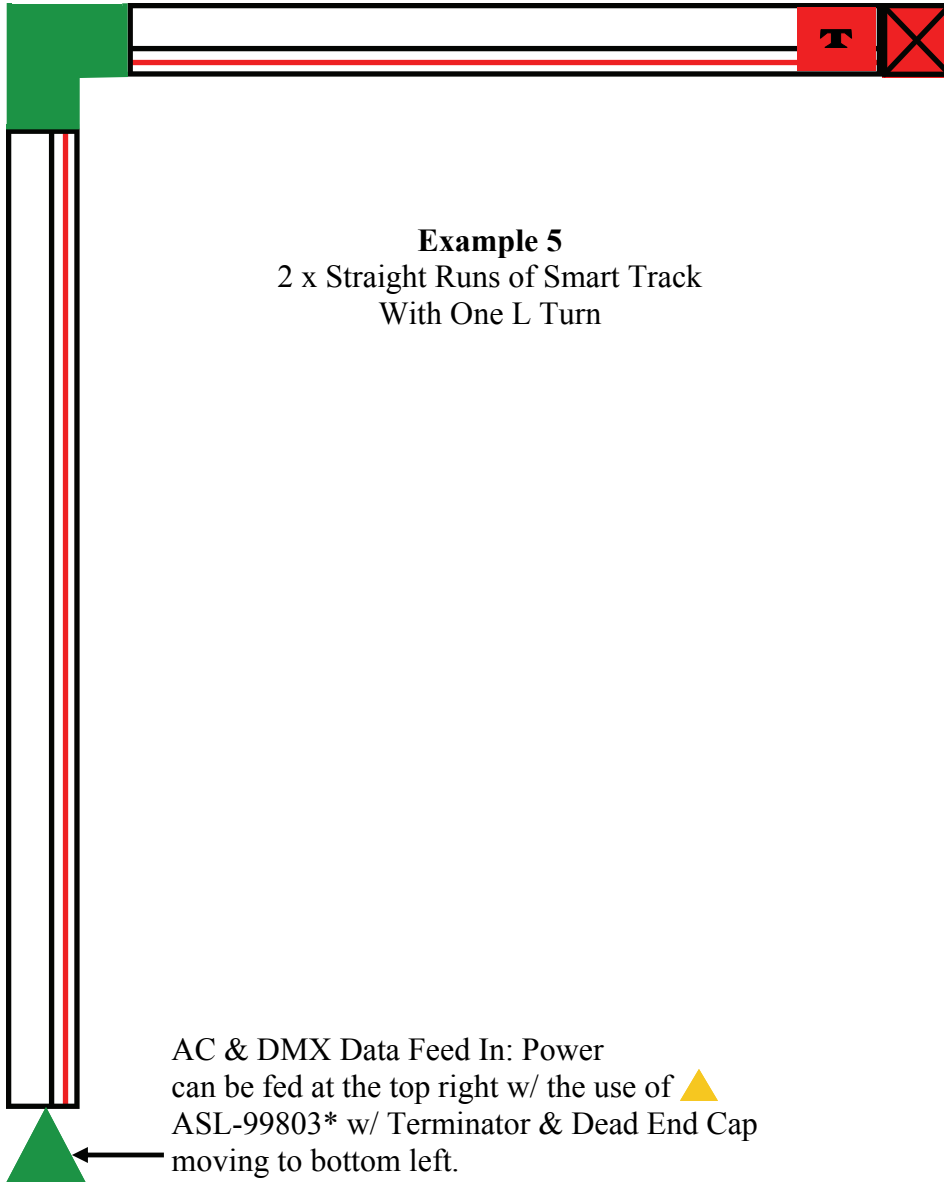
Track 2

The following examples show track seen from above.  
The opening of the track shows downwards.

[www.altmanlighting.com](http://www.altmanlighting.com)

**ALTMAN**  
Lighting, Inc.  
BRINGING IMAGINATION TO LIGHT

# Planning Aid For Track, Components & DMX Contacts

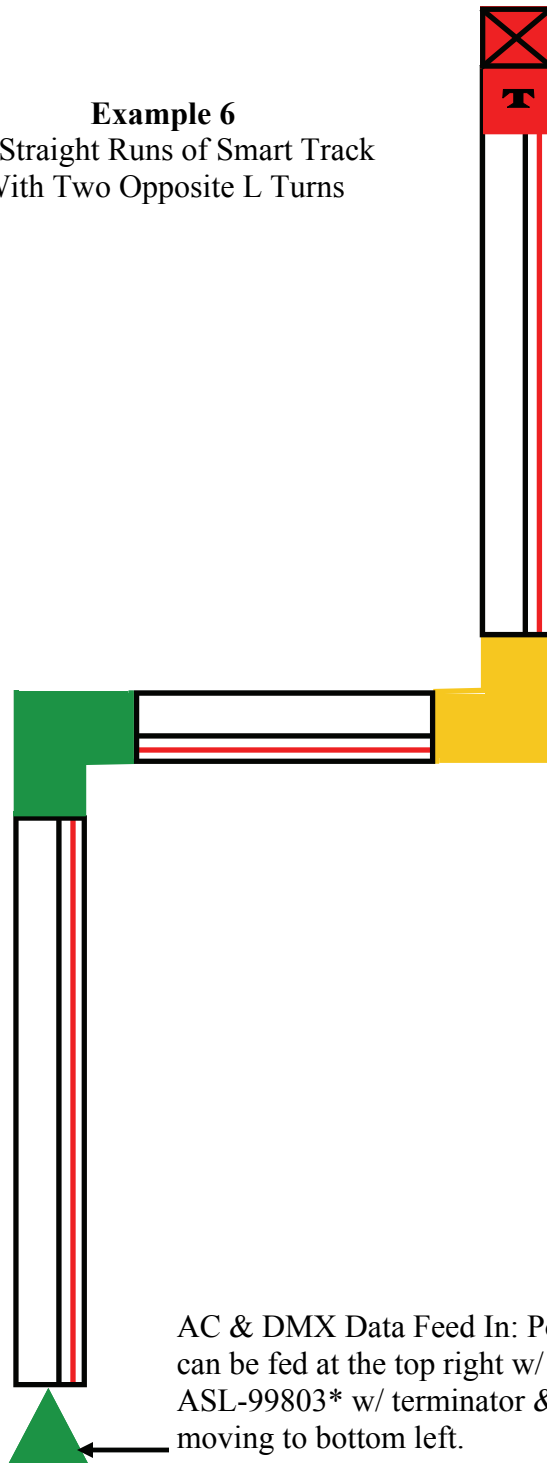


The following examples show track seen from above.  
The opening of the track shows downwards.

[www.altmanlighting.com](http://www.altmanlighting.com)

# Planning Aid For Track, Components & DMX Contacts

**Example 6**  
3 x Straight Runs of Smart Track  
With Two Opposite L Turns



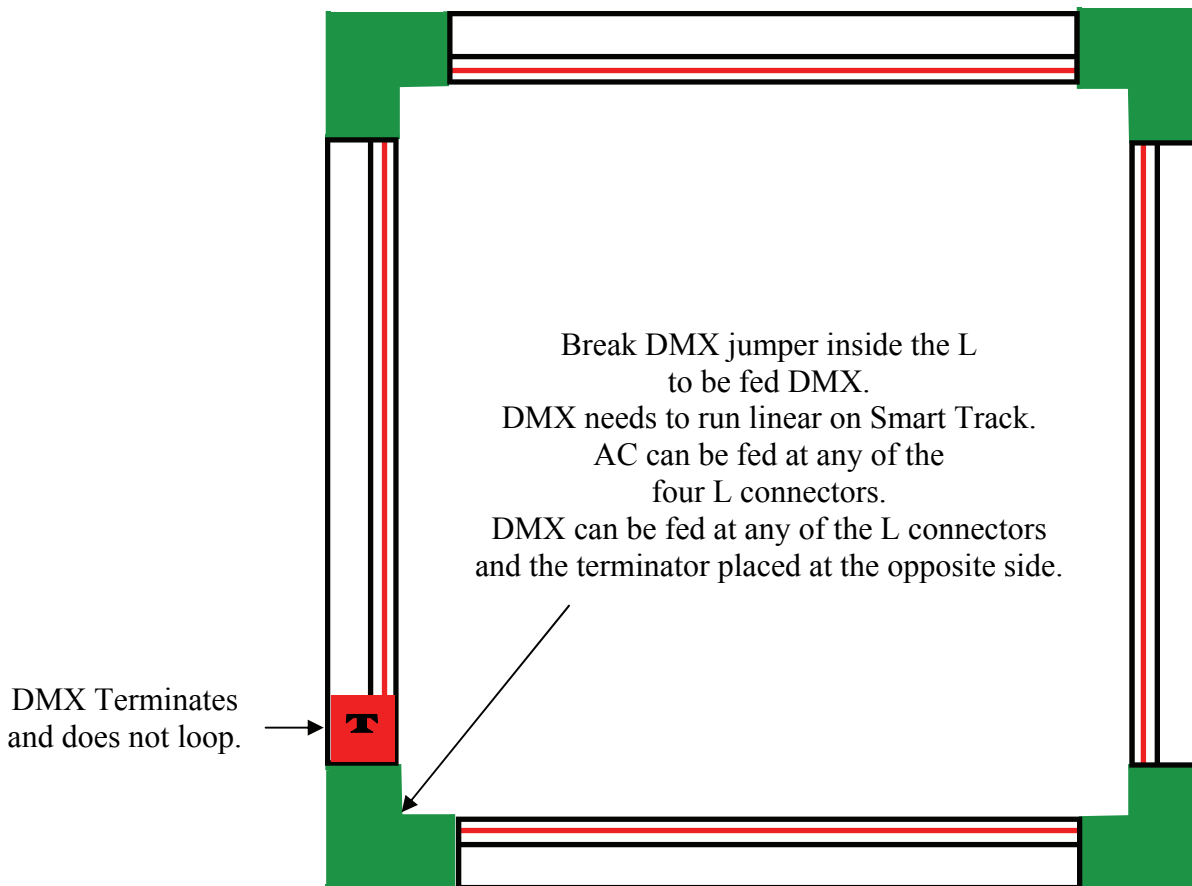
The following examples show track seen from above.  
The opening of the track shows downwards.

[www.altmanlighting.com](http://www.altmanlighting.com)

**ALTMAN**  
Lighting, Inc.  
BRINGING IMAGINATION TO LIGHT

# Planning Aid For Track, Components & DMX Contacts

**Example 7**  
Closed Square or Rectangle Grid

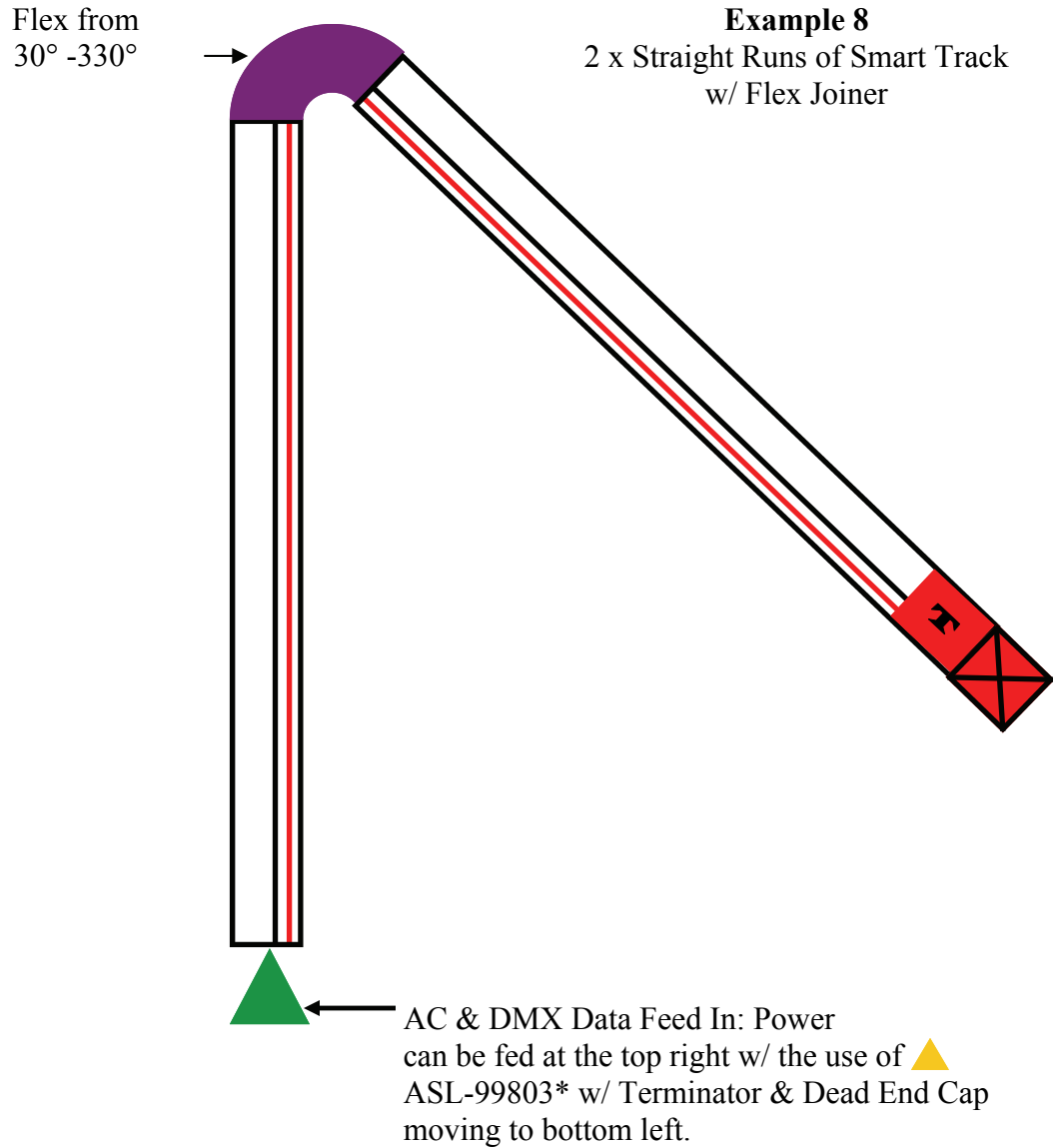


The following examples show track seen from above.  
The opening of the track shows downwards.

[www.altmanlighting.com](http://www.altmanlighting.com)

**ALTMAN**  
Lighting, Inc.  
BRINGING IMAGINATION TO LIGHT

# Planning Aid For Track, Components & DMX Contacts



The following examples show track seen from above.  
The opening of the track shows downwards.

[www.altmanlighting.com](http://www.altmanlighting.com)

**ALTMAN**  
Lighting, Inc.  
BRINGING IMAGINATION TO LIGHT

# Altman Lighting 2 Circuit Smart Track Specifications

## Altman 2 Circuit Smart Track

Track lighting system shall be a 2 circuit spec grade track made of Aluminum extrusion. Track dimensions should be 1-1/4" x 1-3/4" and made available in standard lengths of 4', 8' or 12' lengths. The top of the track will have an extruded profile to allow for the mounting a manufacturer supplied bracket/ hanging supports for connecting with contractor supplied stem, cable or threaded rod. Circuits 1 and 2 will be rated for 20 amps each having independent neutrals. Circuits should be conducted on flat copper buses. In addition to power the track lighting system shall have 2 conductors exposed on the bottom for the transmission of a low voltage control/ data signal known as DMX 512 and the RDM protocol (Remote Device Management) for remote authorization of track units and fixture status features. All components for connecting power to and within the track will have the means to feed in or feed thru the low voltage data/control signal. Track system shall have DMX terminator devices for installation at the end of each individual run of DMX. The track system shall have a complete line of components including in-line and feed thru connectors as well as L turns and Live Ends to join data and electrify separate track pieces. This track system shall be U.L. or ETL listed.

## DMX Track System Fixtures

Fixtures for use on the DMX track system shall consist of a family of luminaires designed with an on-board DMX interface and 2 Circuit track adapter designed to mechanically hang, power and feed data. The track adapter shall have one mechanical lock securing to the track and another mechanical lock to also feed power. Their will be two gold plated spring loaded contacts on the adapter which make contact with the DMX lines for data positive and data negative signals. A switch will be provided on the track adapter that allows for the choosing of power circuit one or two and a middle location for power off.

Fixtures for use on the track system will be of three types; LED, Quartz and Metal Halide. LED color changing luminaires shall be available as two types; 3000° Kelvin white or RGB color mixing. LED units will have on-board power supplies and DMX interface. Quartz fixtures will have an on-board DMX controlled quartz SCR dimmer. Metal Halide fixtures will have an on-board DMX on/off relay. DMX addressing for all system fixtures shall be conducted via manual setting of the rotary dials or via RDM from a remote location with a Remote Authorization Device aka RDM. The units shall be supplied with two dip switches to change modes from DMX , RDM, manual over ride dimmer control and full on power mode. All fixture dip switches and dials will be concealed by a latch that requires the use of a screwdriver to access and make changes. All system fixtures will be supplied with a data network chip capable of supporting networks of 128 nodes. Data input on all fixtures will have high voltage protection circuitry. All fixtures will be U.L. or ETL listed.

[www.altmanlighting.com](http://www.altmanlighting.com)

57 Alexander St., Yonkers, NY 10701  
Tel: 1-800-4Altman Fax: 914-963-7304

**ALTMAN**  
Lighting, Inc.  
BRINGING IMAGINATION TO LIGHT



# Altman Lighting 2 Circuit Smart Track

## Important Safety & Installation instructions

When installing or using the Altman Smart-Track<sup>®</sup> System, basic safety precautions should always be followed, including:

1. Read and understand all of these installation instructions before installing the SMART-TRACK<sup>®</sup> fixtures and lighting track.
2. Only a qualified electrician in accordance with the National Electrical Code and all local codes and ordinances should perform installation of the Smart Track system.
3. Do not install the track in damp or wet locations.
4. Do not install any parts of the track system less than 5 feet above the floor.
5. Do not install any fixtures closer than six inches from combustible materials.
6. Do not use this track with a power supply cord or convenience receptacle adaptor.
7. The Altman Smart-Track System is intended for use only with Altman Smart Track components and fixtures marked for use with the Altman Smart Track System. To reduce the risk of fire and electric shock, do not use other components as part of this system.

**Data Cable** shall be suitable for transport of USITT DMX-512A (ANSI E1.11-2004) and RDM (ANSI E1.20-2006) control information between Smart Track Sections and the Lighting Control System (example: Belden 9842) or CAT-5 Ethernet cable (Example: Belden 1583A) can be used.

***DO NOT CONNECT DMX PIN 1/ DIGITAL COMMON, DIRECTLY TO EARTH  
AC GROUND AT THE TRACK POWER/ DATA FEEDS.***

***DMX/ Data Digital Common is allowed to float at track Power/ Data feeds and remains un-terminated.***

8. The 2-circuit track contains 2 hot circuits and 2 neutral conductors, allowing a maximum load of 2 x 20A at 120 volts.
9. Insure that ALL lighting branch circuits for the smart track are dedicated and NOT connected to an in-line dimmer.
10. Do not attempt to energize anything other than Lighting Track Fixtures on the lighting track. To reduce the risk of fire and electrical shock, do not attempt to connect power tools, extension cords, appliances, and the like to the lighting track.
11. Data Control Wires (+/-) on the 2-circuit adaptors and track are to be used for DMX or RDM control signals only, rated max. 5 volts, 1 Amp.
12. During installation, do not connect data control cables to the lighting track with electric power connected. Power off the lighting track first, insert the data control cable, and then turn power back onto the lighting track. Voltage spikes can damage the fixtures.
13. Keep the data rail control circuits on the lighting track as clean as possible. Use a clean lint-free cloth with isopropyl alcohol to clean the data rail control circuits in the event of dirt and dust collection. The data control lines have to be absolutely clean and free of dirt and dust for a reliable connection with the data contacts of the fixture

[www.altmanlighting.com](http://www.altmanlighting.com)

57 Alexander St., Yonkers, NY 10701  
Tel: 1-800-4Altman Fax: 914-963-7304

**ALTMAN**  
Lighting, Inc.  
BRINGING IMAGINATION TO LIGHT

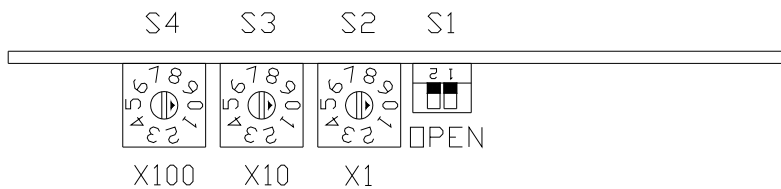
# Altman Lighting 2 Circuit Smart Track Fixture Settings

## LED CONTROL INSTRUCTIONS FOR FIXTURES WITH SMART-LED™ INSTALLED

There are four different selectable modes of control. Switches are located under the moveable access door on the side of the electronics box. The single RED (S1) 2-position binary DIP switch sets each mode of control. The three WHITE (S2, S3, S4) 10-position rotary decimal switches set the DMX address or dimmer levels.

### Red DIP switch S1 (2,1)    Mode (Fixture hanging down from Track)    White Rotary switches S4, S3, S2 (left-right)

Open (DN), Open (DN)	Manual RGB color control.	Intensity levels 000% to 100% (S4, S3, S2).
Open (DN), Closed (UP)	Full ON (RGB all on gives White).	Rotary switch settings are ignored.
Closed (UP), Open (DN)	DMX control and local addressing.	DMX channels 001 to 512 (S4, S3, S2).
Closed (UP), Closed (UP)	RDM control and remote addressing.	Rotary switch settings are ignored.



### **Rotary Dial and Dipswitch Controls**

Please note that these are viewed as the fixture hangs below the Smart Track. Track Adapter Up.

Note: Fixture will remember the last fixture address setting state after power is removed and re-applied except in stand-alone programs).

### Spectra-Series LED luminaires have standalone programs that can be activated in either DMX or RDM modes.

When in DMX mode, the functions are accessed by setting the address switches to the various values as described below. When in RDM mode, the functions are accessed by using the RAD to set the address numbers.

The 600 series of addresses selects static colors that are representative of popular Rosco gel color numbers. For example, address 680 is close to Rosco 80 gel. The table below shows the 600 series numbers, the color name, and the DMX values used to create each color.

### Preset RoscoLux color lookup table

#### **Switch settings 600-609**

Red	Green	Blue
DATA .000,.000,.000 ;600 ;all off		
DATA .255,.147,.131 ;601 ;#01 LT BASTARD AMBER		
DATA .255,.208,.168 ;602 ;#02 BASTARD AMBER		
DATA .255,.178,.142 ;603 ;#03 DRK BASTARD AMBER		
DATA .255,.179,.145 ;604 ;#04 MED BASTARD AMBER		
DATA .255,.208,.198 ;605 ;#05 ROSE TINT		
DATA .238,.246,.194 ;606 ;#06 NO COLOR STRAW		
DATA .239,.247,.187 ;607 ;#07 PALE YELLOW		
DATA .245,.224,.175 ;608 ;#08 PALE GOLD		
DATA .255,.206,.132 ;609 ;#09 PALE AMBER GOLD		

# Altman Lighting 2 Circuit Smart Track Fixture Settings

## Switch settings 610-619

Red Green Blue

DATA .233,.254,.000 ;610 ;#10 MED YELLOW

DATA .254,.234,.086 ;611 ;#11 LT STRAW

DATA .231,.246,.026 ;612 ;#12 STRAW

DATA .255,.221,.130 ;613 ;#13 STRAW TINT

DATA .255,.203,.018 ;614 ;#14 MED STRAW

DATA .255,.186,.000 ;615 ;#15 DEEP STRAW

DATA .255,.189,.092 ;616 ;#16 LT AMBER

DATA .255,.156,.084 ;617 ;#17 LT FLAME

DATA .255,.158,.072 ;618 ;#18 FLAME

DATA .255,.000,.000 ;619 ;#19 FIRE

## Switch settings 620-629

Red Green Blue

DATA .255,.157,.000 ;620 ;#20 MED AMBER

DATA .255,.118,.000 ;621 ;#21 GOLDEN AMBER

DATA .255,.050,.000 ;622 ;#22 DEEP AMBER

DATA .255,.086,.000 ;623 ;#23 ORANGE

DATA .255,.032,.038 ;624 ;#24 SCARLET

DATA .255,.000,.000 ;625 ;#25 ORANGE RED

DATA .225,.000,.000 ;626 ;#26 LT RED

DATA .139,.000,.009 ;627 ;#27 MED RED

DATA .139,.000,.009 ;628 ;

DATA .139,.000,.009 ;629 ;

## Switch settings 630-639

Red Green Blue

DATA .255,.120,.101 ;630 ;#30 LT. SALMON PINK

DATA .255,.122,.134 ;631 ;#31 SALMON PINK

DATA .255,.075,.082 ;632 ;#32 MED SALMON PINK

DATA .255,.183,.210 ;633 ;#33 NO COLOR PINK

DATA .255,.125,.144 ;634 ;#34 FLESH PINK

DATA .255,.181,.202 ;635 ;#35 LT PINK

DATA .255,.118,.157 ;636 ;#36 MED PINK

DATA .255,.165,.214 ;637 ;#37 PALE ROSE PINK

DATA .249,.162,.193 ;638 ;#38 LT ROSE

DATA .205,.000,.094 ;639 ;#39 EXOTIC SANGRIA

## Switch settings 640-649

Red Green Blue

DATA .255,.088,.058 ;640 ;#40 LT SALMON

DATA .255,.042,.028 ;641 ;#41 SALMON

DATA .233,.000,.036 ;642 ;#42 DEEP SALMON

DATA .255,.061,.143 ;643 ;#43 DEEP PINK

DATA .255,.052,.156 ;644 ;#44 MIDDLE ROSE

DATA .207,.000,.070 ;645 ;#45 ROSE

DATA .169,.000,.044 ;646 ;#46 MAGENTA

DATA .105,.045,.115 ;647 ;#47 LT ROSE PURPLE

DATA .203,.035,.165 ;648 ;#48 ROSE PURPLE

DATA .149,.000,.114 ;649 ;#49 MED PURPLE

# Altman Lighting 2 Circuit Smart Track Fixture Settings

## Switch settings 690-699

Red Green Blue

DATA .000,.086,.037 ;690 ;#90 DARK YELLOW GREEN

DATA .000,.054,.045 ;691 ;#91 PRIMARY GREEN

DATA .000,.193,.189 ;692 ;#92 TURQUOISE

DATA .000,.134,.153 ;693 ;#93 BLUE GREEN

DATA .000,.131,.106 ;694 ;#94 KELLY GREEN

DATA .000,.086,.133 ;695 ;#95 MED BLUE GREEN

DATA .255,.000,.000 ;696 ;Red

DATA .000,.255,.000 ;697 ;Green

DATA .000,.000,.255 ;698 ;Blue

DATA .255,.255,.255 ;699 ;white

## The 700 series is used for color fades

### 700-709

R-G-B fades. The ones digit is used to set the speed. Lower ones digit settings yield faster fades. (i.e.: 700=faster fade, 709=slower fade).

### 780-789

RG-GB-BR. The ones digit is used to set the speed. Lower ones digit settings yield faster fades. (i.e.: 780=faster fade, 789=slower fade).

### 800-809

White strobe. The ones digit is used to set the speed. Lower ones digit settings yield faster strobes. (i.e.: 800=faster strobe, 809=slower strobe).

### 810-819

Red strobe. The ones digit is used to set the speed. Lower ones digit settings yield faster strobes. (i.e.: 810=faster strobe, 819=slower strobe).

### 820-829

Green strobe. The ones digit is used to set the speed. Lower ones digit settings yield faster strobes. (i.e.: 820=faster strobe, 829=slower strobe).

### 830-839

Blue strobe. The ones digit is used to set the speed. Lower ones digit settings yield faster strobes. (i.e.: 830=faster strobe, 839=slower strobe).

### 840-849

Rainbow strobe. The ones digit is used to set the speed. Lower ones digit settings yield faster strobes. (i.e.: 840=faster strobe, 849=slower strobe).

## 900 series

Random. Any address that starts with 9 triggers this mode. The ones and tens values are ignored.

# Altman Lighting 2 Circuit Smart Track Fixture Settings

## **QUARTZ CONTROL INSTRUCTIONS FOR FIXTURES WITH SMART-DIMMER™ INSTALLED**

There are four different selectable modes of control. Switches are located under the moveable access door on the side of the electronics box.

The single RED (S1) 2-position binary DIP switch sets each mode of control.

The three WHITE (S2, S3, S4) 10-position rotary decimal switches set the DMX address or dimmer levels.

### **Red DIP switch S1 (2,1)    Mode (*Fixture hanging down from Track*)    White Rotary switches S4, S3, S2 (left-right)**

Open (DN), Open (DN)	Manual dimming control.	Intensity levels 000% to 100% (S4, S3, S2).
Open (DN), Closed (UP)	Full ON.	Rotary switch settings are ignored.
Closed (UP), Open (DN)	DMX control and local addressing.	DMX channels 001 to 512 (S4, S3, S2).
Closed (UP), Closed (UP)	RDM control and remote addressing.	Rotary switch settings are ignored.

Note: Fixture will remember the last fixture address setting state after power is removed and re-applied.)

## **HID CONTROL INSTRUCTIONS FOR FIXTURES WITH SMART-HID™ IN- STALLED**

There are four different selectable modes of control. Switches are located under the moveable access door on the side of the electronics box.

The single RED (S1) 2-position binary DIP switch sets each mode of control.

The three WHITE (S2, S3, S4) 10-position rotary decimal switches set the DMX address

### **Red DIP switch S1 (2,1)    Mode (*Fixture hanging down from Track*)    White Rotary switches S4, S3, S2 (left-right)**

Open (DN), Closed (UP)	Full ON.	Rotary switch settings are ignored.
Closed (UP), Open (DN)	DMX control and local addressing.	DMX channels 001 to 512 (S4, S3, S2).
Closed (UP), Closed (UP)	RDM control and remote addressing.	Rotary switch settings are ignored.

Note: Fixture will remember the last fixture address setting state after power is removed and re-applied.)

### **SMART-HID™ DMX RELAY Control**

<b><u>DMX Console Level</u></b>	<b><u>Function</u></b>
0	Relay OFF
1 thru 100	Relay ON

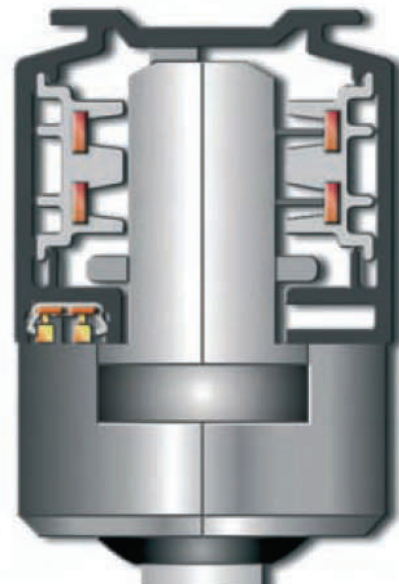
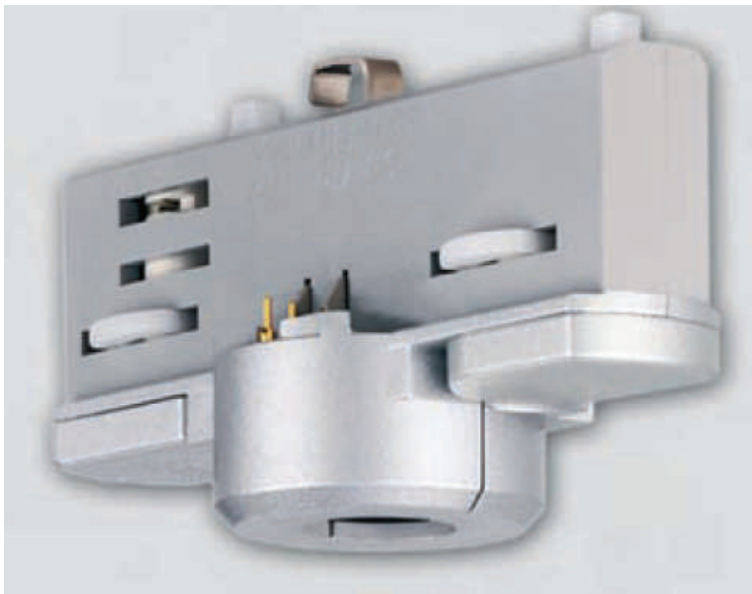
# Altman Lighting 2 Circuit Smart Track Fixture Settings

## FIXTURE INSTALLATION PROCEDURE

PLEASE REFER TO THE DIAGRAMS BELOW OF THE  
ALTMAN SMART-TRACK® ADAPTOR

### 2-CIRCUIT SMART TRACK ADAPTOR

1. Before installing the fixture to the Smart Track lighting track, set the control mode and/or fixture addresses as outlined above.
2. Insert fixture track adaptor into track making sure the two data bus contacts (9) are on the same side as the data rail on the track.
3. While maintaining upward pressure on the adaptor, fully rotate the locking tab (3) ¼ turn until tab completely engages into its track slot. DO NOT RELEASE TRACK ADAPTOR UNTIL YOU HAVE COMPLETED STEP 4.
4. While maintaining upward pressure on the adaptor, rotate the locking knob to either Circuit-1 or Circuit-2 until the contacts are fully engaged into their respective track slots. Caution: Locking into either circuit will apply power immediately to the fixture.
5. Test the fixture.
6. Repeat steps 1-5 for each additional fixture.



[www.altmanlighting.com](http://www.altmanlighting.com)

57 Alexander St., Yonkers, NY 10701  
Tel: 1-800-4Altman Fax: 914-963-7304

**ALTMAN**  
Lighting, Inc.  
BRINGING IMAGINATION TO LIGHT

# Altman Lighting 2 Circuit Smart-Track®

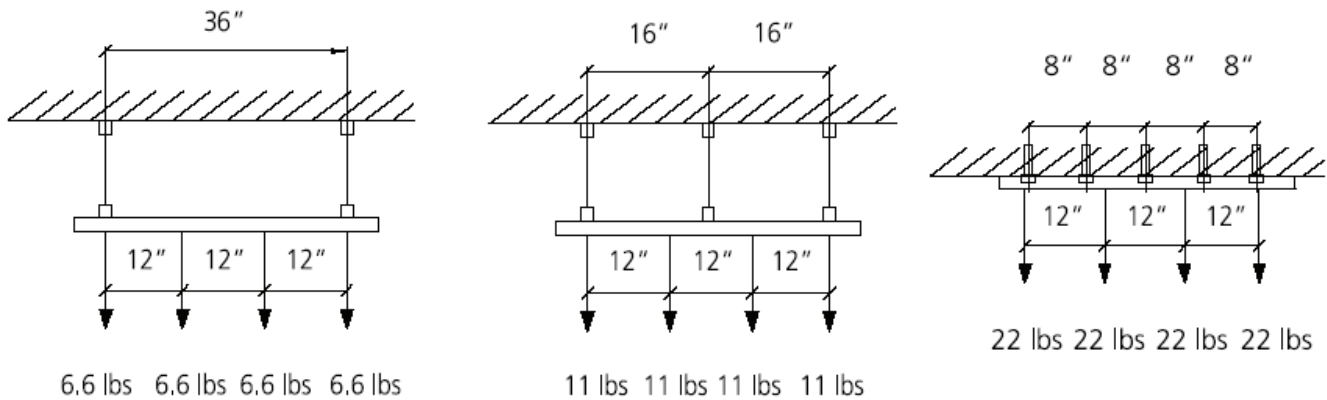
## Important:

Smart-Track and Smart Lighting Fixtures are **NOT** designed for vertical or sideways mounting! Smart-Track must be installed with opening facing down in all circumstances.

Installations not adhering to this warning will void the warranty as well as may compromise the integrity of the luminaries and the DMX signal.

## Track Maximum Load

The drawings show the maximum mechanical load permitted by Smart Track for Smart Fixtures

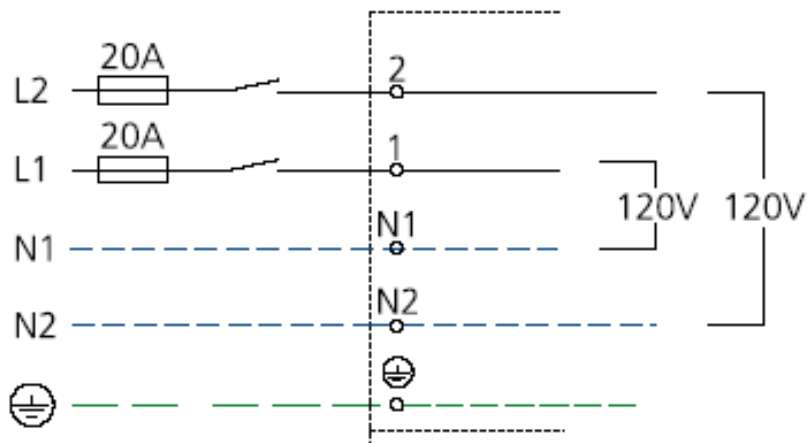


## Smart Track Electrical Connection for 120 V Alternating Current

Maximum load 2,400 VA

Fuse: 2 x 20 Amp

Supply Cable 5 x 12 Guage recommended



[www.altmanlighting.com](http://www.altmanlighting.com)

57 Alexander St., Yonkers, NY 10701  
Tel: 1-800-4Altman Fax: 914-963-7304

**ALTMAN**  
Lighting, Inc.  
BRINGING IMAGINATION TO LIGHT

# Altman Lighting 2 Circuit Smart Track Fixture RDM Features

Altman Lighting is working within the ANSI Standard E1.20 for RDM to bring intelligent RDM products and systems to end user customers. Intelligent RDM is presently incorporated into Altman's Smart-Track system and fixtures. The RDM system is offered by Wybron, Inc. Infogate is the software at the heart of the RDM-based InfoTrace system.

In order for the Altman Smart-Track system to work with the Wybron Infotrace system, the PC, hub, InfoTrace software, InfoTrace gateway, and luminaires have to be setup properly. Please refer to the Wybron setup manuals and Altman Smart-Track instructions on page 18-21.

The RDM feedback that can be obtained from any Altman Smart Track Luminaire is DMX address. DMX addressing the fixtures through RDM is done with a device called the RAD (Remote Authorization Device) by Doug Fleenor Designs. Smart Track LED luminaires can have their preset colors, strobes and fades triggered via the RAD by entering in the appropriate preset number in lieu of a DMX address.

Altman Smart Track Luminaires with on-board dimmers have additional RDM feedback capabilities such as fixture type ID. The ID is generic and simply states **Altman Dimmer**.

Two additional RDM feedback features are lamp failure alert and lamp hour tracking.

## **Operating Procedure to Sense a Quartz Lamp Failure or an Interruption in the Data Line**

Note: For proper current sensing of Altman Smart-Track fixtures, DMX signal control has to be set at 20% or higher for correct feedback to the Wybron InfoTrace system.

1. For a maintenance check during a non-show condition, set all dimmers to full ON, any bulbs with a lamp failure, i.e. filament break will give an error to InfoTrace and a message will pop up. (Note, the same error message will pop up at any time as long as the DMX fader is set above 20%).
2. Lower the dimmer level for those units (if any) that are giving the message error for a lamp failure or data interruption.
3. De-energize the corresponding dimmer pack or circuit to the unit(s) in question.
4. Re-lamp the unit(s) in question. (Make sure power has been turned off for the unit(s)).
5. Re-energize the corresponding dimmer pack or circuit to the unit(s) in question.
6. Clear any Error Status Messages in InfoTrace if so desired to avoid confusion.
7. Raise the dimmer level back to 100% or full ON to the units in question. (At this time, no new error message should pop up. In the event that the same error message pops up, verify the new lamp is good or check for a possible faulty data control line.)

[www.altmanlighting.com](http://www.altmanlighting.com)

57 Alexander St., Yonkers, NY 10701  
Tel: 1-800-4Altman Fax: 914-963-7304

**ALTMAN**  
Lighting, Inc.  
BRINGING IMAGINATION TO LIGHT



# Altman Lighting 2 Circuit Smart Track Fixture RDM Features

## The Tracking of Quartz Lamp Hours

Under the parameters section of the discovery screen, you will be able to see the lamp hours for each quartz unit in the system. There is a built-in default of 30 minutes in the lamp hour time count even after a reset of the counter.

The power line frequency is used as a time base to calculate the number of hours a lamp has been operating. The time base is compensated to work with either 50 or 60 Hz power. If the lamp is on at any level above 0, the lamp timer is counting. Internally, the number of hours, minutes, and seconds is held in RAM memory. When the number of hours changes, the new number of hours is stored in non-volatile EEPROM memory. The lamp timer is paused when the dimmer is set to 0%. Minutes and seconds are not stored in the EEPROM memory. To do so would over exercise the EEPROM using its limited number of write cycles within a month of operation.

If power to the dimmer is lost, the last number of hours saved to EEPROM is recalled upon power up. Also, at power up, the minutes timer is loaded with 30 minutes. This scheme is in place to compensate for the potential of minutes "lost" during a power down cycle. The total number of lamp hours which the timer can accumulate is 65,535 hours. Once the timer reaches this maximum, it will \*not\* roll over. The total remains at the maximum.

Standard RDM commands are used to read the lamp hour meter. An RDM "SET" command is used to reset the lamp hour meter. When the lamp hour meter is reset to 0, the saved EEPROM value is also updated.

[www.altmanlighting.com](http://www.altmanlighting.com)

57 Alexander St., Yonkers, NY 10701  
Tel: 1-800-4Altman Fax: 914-963-7304

**ALTMAN**  
Lighting, Inc.  
BRINGING IMAGINATION TO LIGHT

# Altman Lighting 2 Circuit Smart Track Fixture RDM Features

**RAD (Remote Addressing Device)**  
**Altman Part # 61-0265**



## Operating Instructions

### **Overview:**

The RAD is used to set the DMX address of any RDM enabled device. It uses bi-directional data and the RDM protocol to perform this function.

### **Operation:**

Connect the RAD to the Altman Smart Track to be addressed using standard DMX cabling. Note that if there are any isolators or splitters in the system, they must be capable of bi-directional communication per the RDM Standard.

The RAD is powered by a standard 9V battery. To turn on the RAD, move the slide switch below the front panel to the ON position.

Be sure that the Altman Smart Track Luminaires to be addressed are powered and dip switch settings are for RDM (Remote Device Management).

Press the NEXT button on the RAD. One of the RDM devices will be discovered and will identify itself by flashing the lamp on dimmer units; LED units will flash the color RED; HID units have a green indicator light that flashes next to the settings panel.

The DMX address for the identified device will be shown on the RAD's display. Use the three buttons below the display to change the address of the identified device. A few seconds after the address has been set, the RAD display will flash once and re-display the newly set DMX address for the identified device. This indicates that the address has been saved to the device.

Push NEXT to identify another device on the Smart Track and set it's address. This will cause the first device to "un-identify" and the next device to identify itself. The LAST button is used to move back through the devices that have previously been identified.

When no more devices are found on the data line, pushing the NEXT button will cause three dashes to appear on the display. This indicates that no more RDM enabled devices could be found.

If no buttons are pressed on the RAD for about 15 seconds, the RAD will go into sleep mode. In this battery saving mode, one short line will flash on the display every few seconds. To wake the RAD from sleep, either push one of the buttons or cycle the power switch.

Altman 2 Circuit Smart Track Manual  
Part # 49-0130 Revised 10-11-10

[www.altmanlighting.com](http://www.altmanlighting.com)

57 Alexander St., Yonkers, NY 10701  
Tel: 1-800-4Altman Fax: 914-963-7304

**ALTMAN**  
Lighting, Inc.  
BRINGING IMAGINATION TO LIGHT