

GSM IV Intelligent Wireless Burglar Alarm System

User Manual

Thanks for choosing our product, please read this manual before use it

Chapter 1 Functions and Specification

1、 Main functions

- 1、 Record 10 secs voice alarm message.
- 2、 Setting fixed time for set /recall alarm system in main machine.
- 3、 Main machine monitor , talk function. Alarm receiver talk with people who be with main machine.
- 4、 Both 16 wireless alarm zone and 5 wired alarm zone set around alarm zone, 24 hrs zone, disabled zone to comply with kinds of place.
- 5、 Wired alarm zone (open/close) set easily to comply with kinds of wired detectors.
- 6、 Outlet siren port.
- 7、 Wireless detectors work with main machine by couple learning code.
- 8、 Make call or send message to set/recall main machine from long distance.
- 9、 Pre-set 5 numbers for message alarm.
- 10、 Pre-set 5 numbers for call alarm.
- 11、 Pre-set 1 group sms alarm centre number and 1 group call alarm centre number.
- 12、 Notice user by sms when power is off.
- 13、 Control relay outlet when alarm out, to work together with power, video, etc.
- 14、 High quality dual or quad frequency GSM/GPRS wireless industrial module.
- 15、 Internal backup battery in main machine.
- 16、 Whole wireless system. Install easily in garage, storage where fixed line unreachable.

2. Specification

- 1、 standby circuit current: 20mA
- 2、 Supply power: DC 9V—12V
- 3、 working temperature: -10°C— +55°C
- 4、 Support GSM900/1800Mhz (Optional: 850/1900MHz)
- 5、 Receive mode: ASK
- 6、 Receive frequency: 315/433 MHz
- 7、 workable distance: 100 m (empty space)

Chapter 2 mode of alarm zone

1.mode of alarm zone

remarks: 00—15 wireless alarm zone, 16—20 wired alarm zone, For each alarm zone, there are 3 kinds setting mode for different alarm message.

- A.) Arm Zone (only Active when the alarm in “Arm” mode.
- B.) 24 Hour Zone (will Active at all conditions, even in “Disarm” mode)
- C.) Disabled Zone (Inactive Zone)

Chapter 3 Programming code settings

Remarks: means one digit number, 123456 is default password, if user changed password, then, it will change 123456 into new password.

Below 0—5 programming code for basic control (support call/sms)

★	Replay record voice
1#□#	Set arm/disarm system □=0 disarm ; □=1 arm; eg: sms: 123456#1#0# ; the system disarm
2#□#	Siren control □=0 close ; □=1 open;
3#□#	Monitor locale □=0 close; □=1 open ; remarks: under talking status only
4#□#	Talking locale □=0 close; □=1 open; remarks: under talking status only
5#□#	Relay control □=0 disconnect; □=1 connect;

★ Below 10—39 programming code (sms only)

10#User number #	The 1st sms receiver eg: send message: 123456#10#13800138000# ; means set number 15905090000 to be the 1 st sms receiver, when alarm happen , send message to this receiver number,
11#User number #	The 2nd sms receiver
12#User number #	The 3rd sms receiver
13#User number #	The 4th sms receiver
14#User number #	The 5th sms receiver
15#User number #	The 1st call receiver eg: send message 123456#15#138001380005# ; set number 15905090005 to be 1 st call receive number, when alarm happen, call this receiver number.
16#User number #	The 2nd call receiver
17#User number #	The 3rd call receiver
18#User number #	The 4th call receiver
19#User number #	The 5th call receiver
30#new password#	Change password. eg: send message: 123456#30#123456# ; password change to be: 123456
31#□□□□#□□□□#	Set arm/disarm system at fixed time. update system time

	eg: 123456#31# ; update system time eg: 123456#31#2200#0800# ; set arm at 22: 00 disarm at 08:00.
33#□#	Relay connect or not when alarm happen. □=0 no; □=1 yes ; default : 1
39#□#	Menu language □=0 English; □=1 Chinese; default: 0 English

★ Below 40—50 settings for alarm centre (sms only)

40#message centre number #□#	For message centre □=0 set arm/dsiarm don't notice; □=1 set arm/dsiarm system notice; default: 0 eg: 123456#40#13800138000#0# ; set number 13800138000 to be message number, when alarm happen ,send message to this number.
41#call centre number #□□□□#□#	For call centre □=0 set arm/dsiarm don't notice; □=1 set arm/dsiarm system notice; default: 0 eg: 123456#41#13800138001#1234#0# ; set number 13800138001 to be call centre number. 1234 is main machine number. set arm/dsiarm system don't notice. when alarm happen, call this number and send DTMF message.
42#set system centre#	For set system settings eg: 123456#42#13800138002# ; set number 15905091002 to be set system centre number. When system is standby, call this number, after 3 sound, then, be off line.
43#recall system centre #	For recall system centre eg: 123456#43#13800138003# ; set number 13800138003 to be recall system centre number. When system is recalled, call this number, after 3 sound, then, be off line.

★ Below 50—65 programming code for wireless zone (sms only)

50#□#zone name#	For alarm zone 00 1: □ mode of alarm zone; 2: zone name for message content 1mode of alarm zone: (details in chapter 2) □=0: disable zone ; □=1: normal arm zone; □=2: 24 Hour zone 2. zone name: remarks: within 12 Chinese words、within 24 English words, default: wireless alarm eg: 123456#50#1#door # ; wireless zone 00 is normal zone voice alarm mode. Message content is "door"
51#□#zone name #	For alarm zone 01
52#□# zone name #	For alarm zone 02
53#□# zone name #	For alarm zone 03
54#□# zone name #	For alarm zone 04
55#□# zone name #	For alarm zone 05

56#□# zone name #	For alarm zone 06
57#□# zone name #	For alarm zone 07
58#□# zone name #	For alarm zone 08
59#□# zone name #	For alarm zone 09
60#□#zone name #	For alarm zone 10
61#□# zone name #	For alarm zone 11
62#□# zone name #	For alarm zone 12
63#□# zone name #	For alarm zone 13
64#□# zone name #	For alarm zone 14
65#□# zone name #	For alarm zone 15

★ Below 66—70 programming code for wired alarm zone (sms only)

66#□#zone name#□#	<p>For wired alarm zone 16</p> <p>1: <input type="checkbox"/> mode of alarm zone; 2: zone name for message content 3: <input type="checkbox"/> mode of act the wired alarm zone port.</p> <p>mode of alarm zone: (details in chapter 2) <input type="checkbox"/>=0: disable zone ; <input type="checkbox"/>=1: normal arm zone; <input type="checkbox"/>=2: 24 Hour zone</p> <p>2. zone name: remarks: within 12 Chinese words、within 24 English words, default: wired alarm</p> <p>3 mode of action: <input type="checkbox"/>=0: shorted <input type="checkbox"/>=1: open default: 0 eg: 123456#66#1#hall#1# wired alarm zone 16 is normal zone voice alarm.message content: hall, port is open.</p>
67#□# zone name#□#	For wired alarm zone 17
68#□# zone name#□#	For wired alarm zone 18
69#□# zone name#□#	For wired alarm zone 19
70#□# zone nam #□#	For wired alarm zone 20

Chapter 4 Install Examples

1. Hardware and system description

Install a infrared sensor for hall, a wireless door sensor for door, a wired door sensor for strobe, a smoker sensor, 2 remote,1 sms receiver number: 1380013800,a call receiver number: 13800138001

remarks: sms receiver: send message to this receiver number when alarm out; call receiver: call this call receiver number when alarm out.

2. Install processing

1. Install accessories with main machine.

Insert SIM card into card lock at back side of main machine. (remarks: support gsm network

SIM card), connect with siren (siren be away from main machine at least 3m), fix antenna, power on (12V/1.5A power, internal "+", outside "-"), STATUS orange light flash slowly means it is searching network. around 40 seconds later ,it turn to green light, then, take next step. If can't turn to green light, power off ,then, check the sim card and antenna if ready.

2. Comply with remote and sensors

Put battery into wireless sensors and remote. Press RESET for 2 seconds. STATUS indicator turn to lasting red light. (main machine is learning sensors,20 seconds later, sensors quit if can't receive signal from main machine. Press RESET again to quit), install wireless infrared sensor, wireless door sensor, wireless smoker sensor, remote 1 and remote 2 one by one. (press emergency button of remote to comply with main machine). STATUS indicator of main machine will flash if sensor or remote be read. or , try again.

3. Record

Press RECORD for 2 seconds, RECORD light on (main machine under record status for 10 seconds, 10 seconds later, it quit automatically.) speak with main machine to record till RECORD light off.

4. Update system time

Send message: 123456#31#

5. Zone settings (details in chapter 2 and chapter 3)

Send message: 123456#50#1#hall alarm#

123456#51#1#door alarm#

123456#53#2#gas alarm#

123456#54#2#remote 1#

123456#55#2#remote 2#

123456#66#1#strobe #1#

6. Add user

Send message: password#10#13800138000#

Send message: password#15#13800138001#

7. Install ready, whole system status as below:

Wireless infrared sensor	Wireless zone 00	Hall alarm, normal zone voice alarm
Wireless door sensor	Zone 01	Hall alarm, normal zone voice alarm
Wireless gas sensor	Zone 02	Gas alarm, 24hr zone voice alarm
Remote 1	Zone 03	Remote 1, 24hr zone voice alarm
Remote 2	Zone 04	Remote 2, 24hr zone voice alarm
Wired door sensor	Zone 16	Strobe/normal zone voice alarm, open alarm
15905090000	Sms receiver 0	Send message out when alarm happen
15905090001	Call receiver 0	Call out when alarm happen

3. System Test

1. System alarm test

Press set button of remote, then, status be green light. then, depart the two parts of wireless door sensor.

result: siren alarm out, send message to message receiver number. content "door alarm". Make call to call receiver number, when receiver answer the call, it play the record voice. (press "*"repeat),press 1#0# to recall the system,press 2#0# close the siren(support call programming

code 1#- 5#)

2. Long distance system control

Call the main machine, after connect, then, heard 1 long sound of "di", press password, end with #. Then, heard a long sound of "di" (password is correct, user monitor/control, support programming code 1#- 5#), if heard 2 sound "di" (password is wrong, enter password again, it quit automatically if no correct password enter into within 30 seconds.) .

3. Trouble shooting

If siren keep silent, please check if it is connected well. or mode of zone set to be silent alarm. If can't call out or send message out, please check if the value of SIM card is too low, or the signal is too weak.

Chapter 5 Common Operation Introduction

1. How to add door sensor/infrared sensor/remote etc wireless detector

Press RESET for 2 seconds. STATUS indicator turn to lasting red light. (main machine is learning sensors, 20 seconds later, sensors quit if can't receive signal from main machine. Press RESET again to quit) .the alarm zone number start from 00. then, 01 ,02...

To re-arrange the zones:

(0=no jumper, 1=High , 2=LOW)

1.) D0-D3 must be 0022

2.) A0-A7 can be randomly

e. g. you can assign 00012221 for zone 1 sensors

you can assign 00012220 for zone 2 sensors

you can assign 00012210 for zone 3 sensors

.....etc

3.) After setting the jumpers

Please clear the main alarm all zone settings by holding the reset button when powering on the main unit

4.) then add the zone sensors by order

after powering on, the green led light up,

press the reset button for 2 sec,

Then:

e. g.

Zone 1 = Remote 1 (by pressing emergency button)

Zone 2 = Remote 2 (by pressing emergency button)

Zone 3 = trigger the door /PIR zone 3 sensors.

Zone 4 = trigger the door /PR zone 4 sensors.

..... then sensors will be recorded in order.

2. How to delete wireless sensor/remote

Send message: password#50#0# ; wireless detectors be delete of zone 00

3. How to revive to default settings

Press RESET, power on, till STATUS red light turn to orange flash light, all detectors of main machine be delete. The password to be 123456.

4. Long distance set the alarm system by phone

Call the main machine, heard a long sound of "di". Put password ,end with #.head a long sound of "di", put into 1#1# , then, a long sound "di" again, then, quit the call.

Remarks: all call programming, a long sound of "di" means successes. 2 short "di" means failure .

5. How to re-define remote control pad

Press RESET 5 seconds. STATUS indicator light turn to red light then turn to orange light. press the 4 button one by one, the 1st one is emergency alarm button(if ok, the STATUS light will flash, or it failed). The 2nd button is recall system button, the 3rd one is set outside, the 4th one is set at home. Then, it quit.

remarks: support 4 button remote only.

Chapter 6 Wireless accessories connection

remarks: high level=1; 1: low level=2; no connection=0.

For Sensors:

All Zone Jumpers D0-D3 must be set to 0022

A0-A7 can be randomly

e.g. you can assign 00012221 for zone 1 sensors

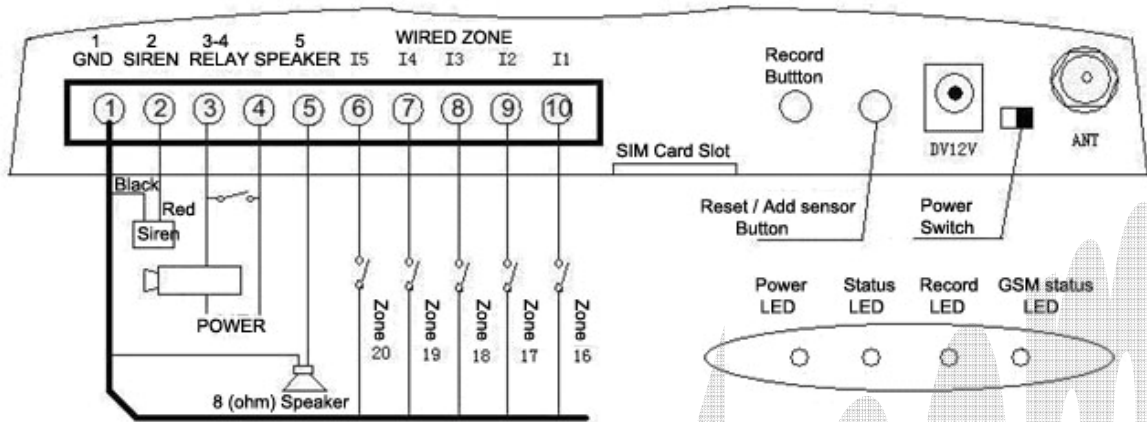
you can assign 00012220 for zone 2 sensors

you can assign 00012210 for zone 3 sensors

.....etc

item	2262 chip data lead pin connection			
	D0 pin	D1 pin	D2 pin	D3 pin
Door sensor	0	0	2	2
Infrared sensor	0	0	2	2
Gas sensor	0	0	2	2
Smoker sensor	0	0	2	2
help	2	2	1	2
Remote set Arm	2	2	2	1
Remote recall	2	1	2	2
Remote emergency call	2	2	1	2

安装电路图



☆ 12V DC Siren
 ☆ Relay closes 3min when alarm is triggered

☆ Each wired zone response time is 100ms
 ☆ Each wired zone can set NO/NC mode (close/open mode)