

# USER MANUAL

---

## User Manual

17" / 19" LCD 1152 x 900 Native Resolution



**SNP117 / SNP119**  
1U SUN LCD Drawer

Options :  
- DC power



# Contents

## < Part. 1 > SNP117 / SNP119

- |     |                               |         |
|-----|-------------------------------|---------|
| 1.1 | Package Content               | P.1     |
| 1.2 | Structure Diagram & Dimension | P.1 - 2 |
| 1.3 | Installation                  | P.3     |

## < Part. 2 > Specifications / OSD

- |     |                                     |         |
|-----|-------------------------------------|---------|
| 2.1 | Product Specifications              | P.4 - 5 |
| 2.2 | On-screen Display Operation ( OSD ) | P.6 - 7 |

## < Part. 3 > Options

- |     |                         |     |
|-----|-------------------------|-----|
| 3.1 | 48V, 24V or 12VDC power | P.8 |
|-----|-------------------------|-----|

## Before Installation

- It is very important to mount the equipment in a suitable cabinet or on a stable surface.
- Make sure the place has a good ventilation, is out of direct sunlight, away from sources of excessive dust, dirt, heat, water, moisture and vibration.

## Unpacking

The equipment comes with the standard parts shown in package content. Check and make sure they are included and in good condition. If anything is missing, or damaged, contact the supplier immediately.

## How To Clean Your LCD Monitor

### **Caution :**

- To avoid the risk of electric shock, make sure your hands are dry before unplugging your monitor from or plugging your monitor into an electrical outlet.
- When you clean your monitor, do not press down on the LCD screen. Pressing down on the screen can scratch or damage your display. Pressure damage is not covered under warranty.
- Use only cleansers made specifically for cleaning monitors and monitor screens. Cleansers not made to clean monitors and monitor screens can scratch the LCD display or strip off the finish.
- Do not spray any kind of liquid directly onto the screen or case of your monitor. Spraying liquids directly onto the screen or case can cause damage which is not covered under warranty.
- Do not use paper towels or abrasive pads to clean your monitor. Using an abrasive pad or any wood based paper product such as paper towels can scratch your LCD screen.

## Cleaning Your Monitor


To clean your LCD safely, please follow these steps :

- 1 Disconnect the power cord.
- 2 Gently wipe the surface using a clean, dry microfiber cloth. Use as little pressure as possible.

## Cleaning Tough Marks and Smudges

To remove tough marks and smudges, please follow these steps :

- 1 Disconnect the power cord.
- 2 Spray a small amount of non-abrasive cleanser on a microfiber cloth.

 **Caution : Do not spray or apply any liquids directly onto the monitor. Always apply the solution to your microfiber cloth first, not directly on the parts you are cleaning.**

- 3 Gently wipe the surface. Use as little pressure as possible.
- 4 Wait until your monitor is completely dry before plugging it in and powering it up.

## &lt;Part 1 &gt;

## &lt; 1.1 &gt; Package Content



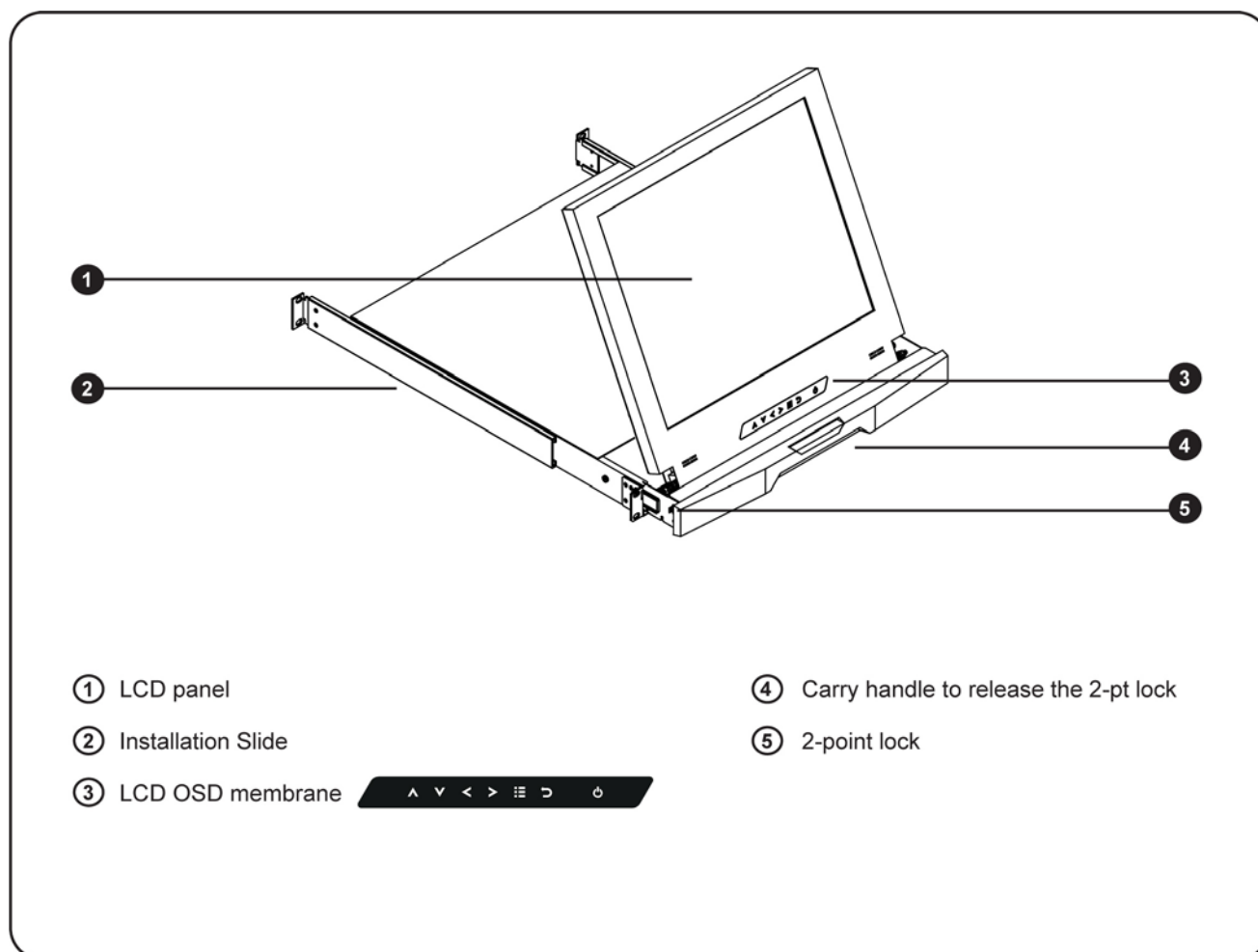
## SNP117 or SNP119 unit X 1

- 6ft VGA cable X 1
- Power cord X 1
- M6 screw, cage nut & cup washer X 8



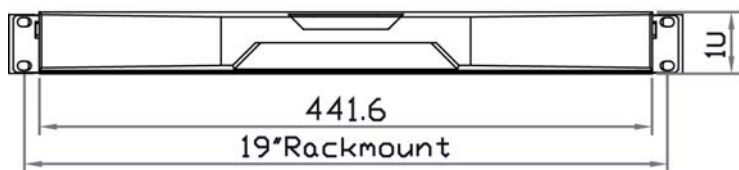
The above package content is only for the pure model (VGA and DVI-D only). It varies with options such as DC power.

## &lt; 1.2 &gt; Structure Diagram

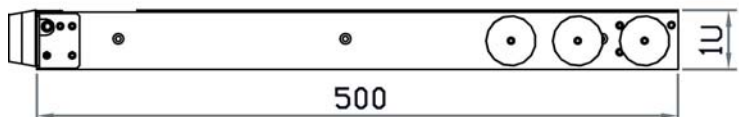


## < 1.2 > Dimension

Front View

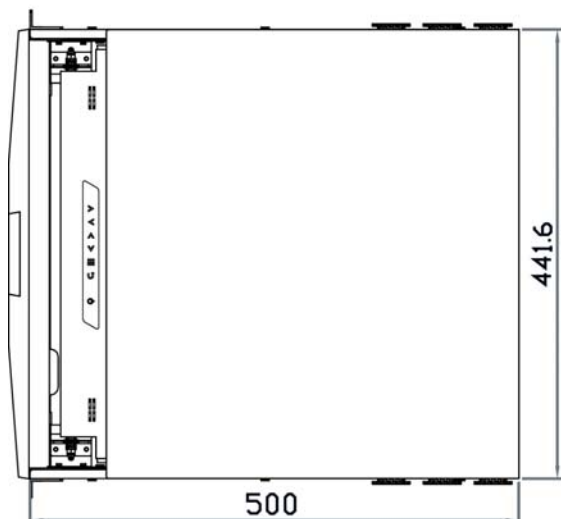


Side View



UNIT : mm  
1mm = 0.03937 inch

Top View



Model	Product Dimension (W x D x H)	Packing Dimension (W x D x H)	Net Weight	Gross Weight
SNP117 series	441.6 x 500 x 44 mm 17.4 x 19.7 x 1.73"	590 x 687 x 120 mm 23.2 x 27 x 4.7"	10.5 kg 23 lb	16.5 kg 36 lb
SNP119 series	441.6 x 500 x 44 mm 17.4 x 19.7 x 1.73"	590 x 687 x 120 mm 23.2 x 27 x 4.7"	12.5 kg 28 lb	18.5 kg 41 lb

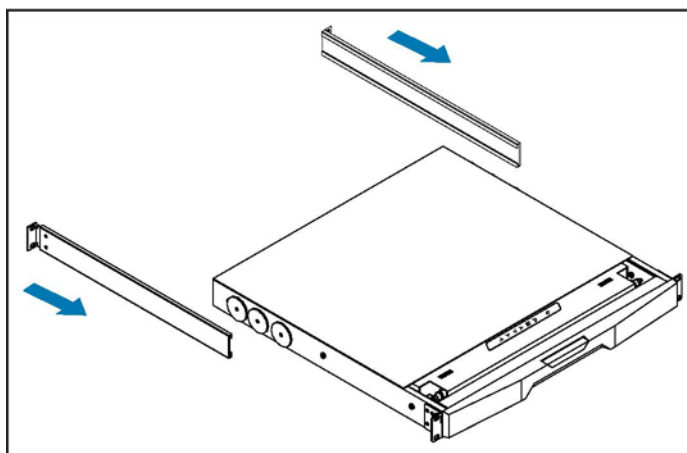


The weight is only for the pure models. It varies with accessories & options such as DC power.

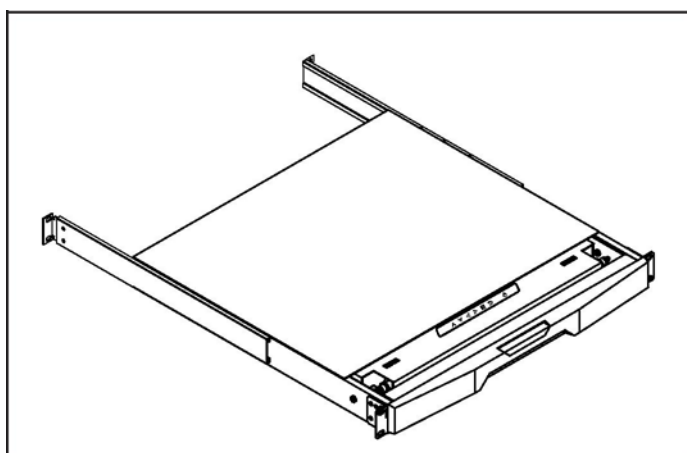
## &lt; 1.3 &gt; Installation - How to install

## Installation Slides

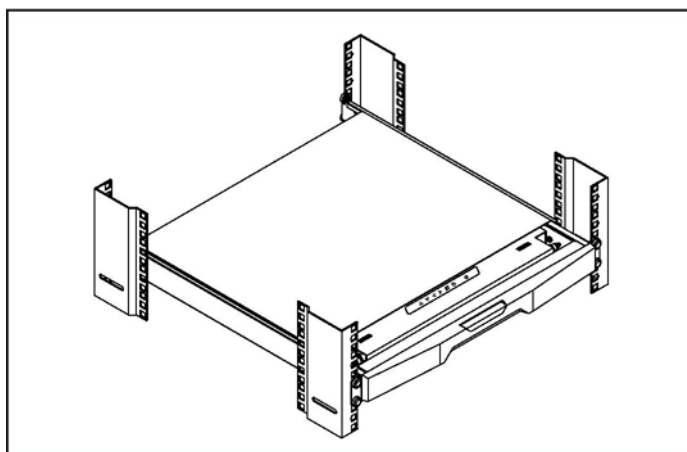
SNP117 / 119

**Step 1**

- Insert the left and right rear mounting brackets into the display drawer.

**Step 2**

- Measure the depth of the front and rear mounting rails.
- Align each rear mounting bracket to a suitable length.
- 

**Step 3****Complete the installation**

- Fix the display drawer into the rack.



M6 screw, cage nut & cup washer x 8 are provided.

## <Part 2 >

### < 2.1 > Product Specifications

LCD Panel		SNP117	SNP119
	Manufacturer	AUO	AUO
	Panel Size ( diagonal )	17-inch TFT color LCD	19-inch TFT color LCD
	Display pixel ( dots x lines )	1152 x 900 ( Direct )	1152 x 900 ( Direct )
		1280 x 1024 ( Native )	1280 x 1024 ( Native )
	Brightness ( typ. )	250	250
	Contrast Ratio ( typ. )	1000:1	1000:1
	Color	16.7 M	16.7 M
	Viewing Angle ( L/R/U/D )	80/80/80/80	85/85/80/80
	Response Time ( ms )	5	5
	Dot pitch ( mm )	0.264	0.294
	Display Area ( mm )	337.92H x 270.33V	376.32H x 301.06V
	Surface treatment	Haze 25%, Hard-coating	
	Surface hardness	3H	3H
	Backlight Type	CCFL	LED
MTBF ( hrs )	50,000	30,000	

Video Connectivity	Digital	DVI	DVI-D, TMDS single link
	Analog	VGA	Analog 0.7Vp-p
	Plug & Play	DVI / VGA	VESA EDID structure 1.3
	Synchronization	VGA	Separate, Composite & SOG

Audio Connectivity	Audio Input	Connector	3.5mm stereo jack
		Impedance / Power level	30kQ / 750mV
	Audio Output	Connector	3.5mm stereo jack
		Resistance / Power level	30kQ / 2.8V
	Speaker Output	Power	2 x 2W

\*When the audio output is connected, speaker output is OFF

Power	Power Supply	Range	Auto-sensing 100 to 240VAC, 50 / 60Hz
		Power Consumption	Screen display ON
	Power saving mode		4W or less
	Power button OFF		1W or less

Regulatory	Safety Approval	cUL, FCC & CE, RoHS
------------	-----------------	---------------------

## SNP117 / 119

<b>Environmental Conditions</b>	Operating	Temperature	0 to 50°C degree
		Humidity	20~90%, non-condensing
	Storage	Temperature	-5 to 60°C degree
		Humidity	5~90%, non-condensing
		Shock	10G acceleration (11ms duration)
Vibration	5~500Hz 1G RMS random		



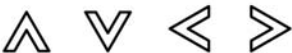

<b>Physical Specification</b>		<b>SNP117</b>	<b>SNP119</b>
	Product ( W x D x H )		441.6 x 500 x 44 mm 17.4 x 19.7 x 1.73 inch
Packing ( W x D x H )		590 x 687 x 120 mm 23.2 x 27 x 4.7 inch	590 x 687 x 120 mm 23.2 x 27 x 4.7 inch
Net Weight		10.5 kgs / 23 lbs	12.5 kgs / 28 lbs
Gross Weight		16.5 kgs / 36 lbs	18.5 kgs / 41 lbs

<b>Applicable Format</b>	DVI-D / VGA Input	PC Signal	1152 x 900 x 66Hz
			1280 x 1024 x 60 / 75Hz
			1280 x 960 x 60Hz
			1280 x 760 x 60 / 75Hz
			1152 x 864 x 75Hz
			1024 x 768 x 60 / 70 / 75Hz
			848 x 480 x 60Hz
			800 x 600 x 60 / 72 / 75Hz
			720 x 400 x 70Hz
			640 x 480 x 60 / 72 / 75Hz
			640 x 400 x 70Hz
640 x 350 x 70Hz			





## < 2.3 > On-screen Display Operation ( OSD )








Membrane Switch	Function
	Turn the monitor on or off
	Display the OSD menu Act as an Enter key to select screen setting options
	Scroll through menu options and adjust the displayed control
	Exit the OSD screen Go back to the previous on-screen sub-menu or main menu

Remark : All LED touch buttons in **WHITE** light.

The LED of **Power**  touch button will flash continuously when there is no signal input.

- ① All the LED touch buttons will automatically turn off after 10 minutes of idle status ( except the **Power**  ).
- ② Light up all membrane buttons, please press any button for 1 - 2 seconds ( except the **Power**  ).

Ver: G56SN20SSTD701
1024 x 768 59.8Hz

**Image**

Brightness  50

Contrast  50

Color Temp User

Red  255


Green  255

Blue  255

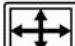
Adjust: ← →    Select: ↑ ↓    Set: ● / □    Exit: ↵

---


**OSD Configuration Page**




**Image:**  
for the brightness, contrast, color temp, red, green, and blue




**Geometry:**  
for the auto adjust, H position, V position, phase and clock



**Video:**  
for the colour, tint, sharpness, noise reduction, DCDi and TV Setup



**Audio:**  
for volume, bass, treble, balance, AVL and mute



**Misc:**  
for the language, OSD position, graphic mode, ratio, reset and timer

## &lt;Part 3 &gt;

## &lt; 3.1 &gt; Options : DC Power

Model	12V	24V	48V
<b>Input rating</b>			
Input voltage:	12-Volt	24-Volt	48-Volt
Input range:	9 ~ 18V	18 ~ 36V	36 ~ 75V
Input current			
- No load	50 mA	50 mA	50 mA
- Full load	4950 mA	2450 mA	1220 mA
<b>Output rating</b>			
Output voltage:	12-Volt	12-Volt	12-Volt
Output current:	4.16A	4.16A	4.16A
<b>Efficiency</b>			
	84%	85%	85%

## DC power



\*\*\*

For DC power option:

( 1 ) Option excludes 1 x power cord and 1 x AC power adapter.

( 2 ) Casing depth will be extended from 500mm ( 19.7" ) to 570mm ( 22.4" )

