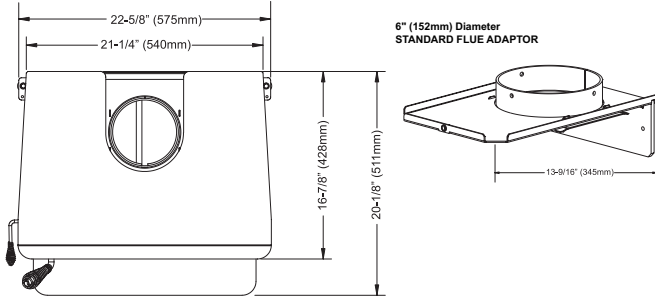


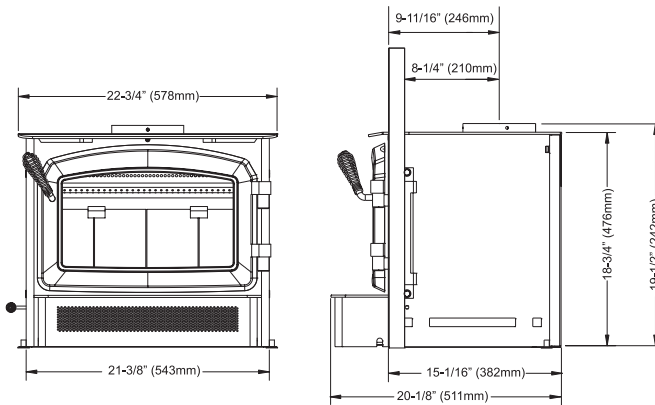
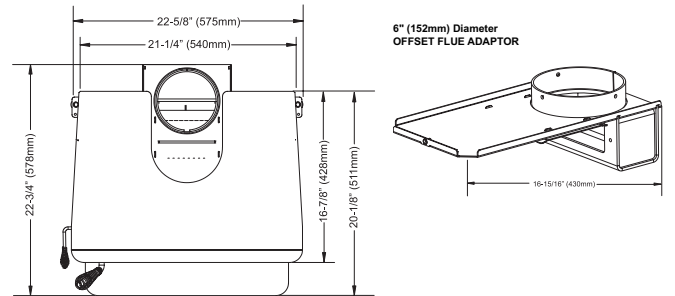
## I1200 Small Wood Insert

<b>Model</b>	<b>I1200S</b>
Cordwood BTU's	55,000 BTU's
EPA g/hr	3.0 g/hr
Flue Size	6" (152mm)

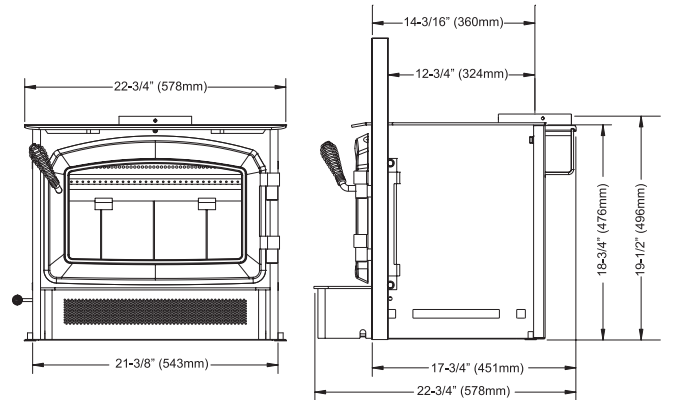
### Unit with Standard Flue Adaptor



### Unit with Offset Flue Adaptor

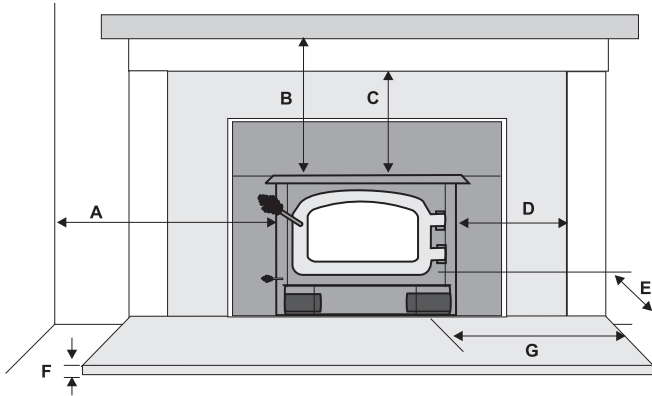


Minimum Fireplace Opening		Faceplate Dimensions	
Height	19" (483mm)	Standard 3 Sided	38" (width) x 26-1/8" (height)
Width	23" (584mm)	Standard 4 Sided	38" (width) x 34-1/8" (height)
Depth Standard Flue Adaptor	13-3/4" (349mm)	Oversize 3 Sided	44" (width) x 30-1/8" (height)
Depth Offset Flue Adaptor	16-1/2" (419mm)	Oversize 4 Sided	44" (width) x 38-1/8" (height)



I1200 Wood Insert

## I1200 Small Wood Insert



Dimension	Description	I1200
A	Adjacent Side Wall (to side)	15" (381mm)
B	Mantle (to top)**	20" (508mm)
C	Top Facing (to top)	14" (356mm)
D	Side Facing (to side)	7-3/8" (187mm)
E	Minimum Hearth Extension*	16" (406mm)
F	Minimum Heath Thickness*	1-1/2" (38mm)
G	Minimum Hearth Side Extension	8" (203mm)

Side and Top facing is a maximum of 1-1/2" thick.

Floor protection must be non-combustible, insulating material with an R value of 1.1 or greater.

\* If the hearth extension is flush with the floor (F) it must extend 19-1/2" in front of the body face (E).

**Note:** Hearth Extension Width (G) is measured from edge of fuel door to side of hearth.

\*\* A non-combustible mantel may be installed at a lower height if the framing is made of metal studs covered with a non-combustible board.