



***HYDROFILL***  
ATO CONTROLLER SYSTEM  
#7501

RUJQF · GADGET

Owner's Manual

**TABLE OF CONTENTS**

Important Safety Instructions	3-4
Parts—Exploded View & Identification HydroFill—ATO Controller System	5
Introduction	
HydroFill ATO Controller	6
Specifications	7
Understanding the Controller Readout	8-9
Getting Started	
Unpacking & Inspection	10
Choosing Location for Controller	11
Sensor Mounting Magnet Assembly	12
Choosing Location for Sensor	
All-In-One Aquariums	12
Sumps	13
Standard Aquariums	14
Maintenance	
Cleaner Sensors	15
Notes	16-17
Warranty Information	18
Owner's Product Information	19

## WARNING

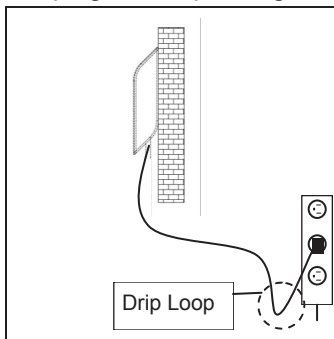
To guard against injury, basic safety precautions should be observed including the following:

### READ ALL SAFETY INSTRUCTIONS BEFORE USE.

## WARNING

To avoid electric shock, special care should be taken since water is employed in the use of aquarium equipment. For each of the following situations, do not attempt to repair yourself. Return the appliance to an authorized service facility for service or discard the appliance.

- If the appliance falls into water, DO NOT reach for it! First unplug it and then retrieve it. If the electrical components of the appliance gets wet, unplug the appliance immediately.
- Carefully examine the appliance after installation. It should not be plugged in if there is water on parts not intended to be wet.
- Do not operate any appliance if it has a damaged cord or plug, or if it is malfunctioning or if it is dropped or damaged in any manner.
- To avoid the possibility of the appliance plug or receptacle getting

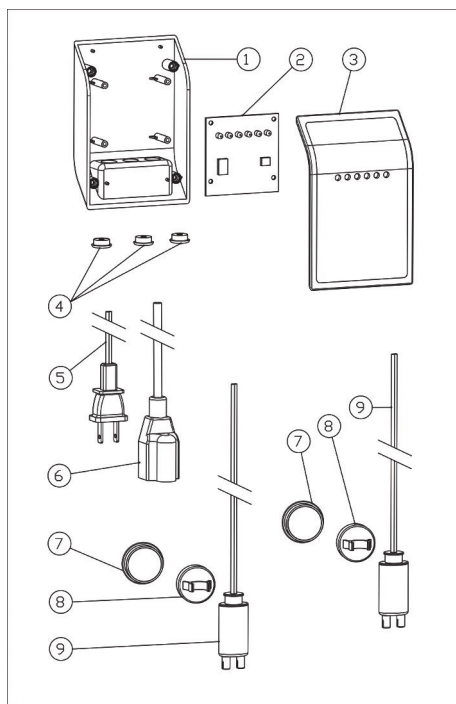


- wet, position aquarium to one side of a wall mounted receptacle to prevent water from dripping onto the receptacle plug. A “Drip Loop” should be arranged by the user for EACH cord connecting an aquarium appliance to a receptacle. The “Drip Loop” is that part of the cord below the level of the receptacle or the connector if an extension cord is used. This “Drip Loop” prevents water travelling along the cord and coming in contact with the receptacle. If the plug or the receptacle do get wet DO NOT unplug the cord. Disconnect the fuse to the circuit breaker that supplies power to the appliance. Then unplug and examine for the presence of water in the receptacle.
- Close supervision is necessary when any appliance is used by or near children.
- To avoid injury, do not contact moving parts or hot parts such as heaters, reflectors, lamps bulbs and etc.
- Always unplug an appliance from the outlet when not in use, before putting on or taking off parts, and before cleaning. Never yank the cord to pull plug from outlet. Grasp the plug and pull to disconnect.

## IMPORTANT SAFETY INSTRUCTIONS

- Do not use an appliance for other than intended use. The use of attachments not recommended or sold by the appliance manufacturer may cause an unsafe condition.
- Do not install or store the appliance where it will be exposed to the weather or to temperatures below freezing.
- Make sure an appliance mounted on a tank is securely installed before operating it.
- Read and observe all the important notices on the appliance.
- This appliance has a polarized plug (one blade is wider than the other). As a safety feature, this plug will fit in a polarized outlet only one way. If the plug does not fit fully in the outlet, reverse the plug. If it still does not fit, contact a qualified electrician. Never use with an extension cord unless plug can be fully inserted. Do not attempt to defeat this safety feature.
- This appliance is intended FOR HOUSEHOLD USE ONLY.
- If an extension cord is necessary, a cord with a proper rating should be used.

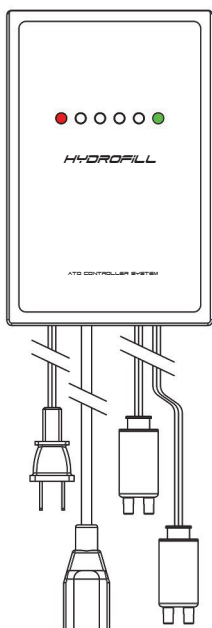
## HYDROFILL –ATO CONTROLLER SYSTEM



#	Description	Item Code
		750101
1	HydroFill Controller—Back Casing	750101
2	HydroFill Controller—Circuit Board	750102
3	HydroFill Controller—Front Casing	750103
4	HydroFill Controller—Wire Grommet	750104
5	HydroFill Controller—Power Cord	750105
6	HydroFill Controller—Pump Power Cord Tether	750106
7	HydroFill Controller—Magnet Outside	750107
8	HydroFill Controller—Magnet Inside	750108
9	HydroFill Controller—Sensor	750109

AUQA Gadgets are a new line of fresh & clever tools that aid in your daily chores for your aquarium. Innovative design and simplicity are the core ingredients to save you time and frustration. AUQA Gadgets series include SMART products that encompass maintenance, filtration, feeding, and organization to streamline your husbandry needs without the hassle.

## Hydrofill—ATO Controller System



### Model #7501

Automate fresh water replenishment, and say farewell to heavy lifting, unstable water parameters, and the need to frequently watch your water line.

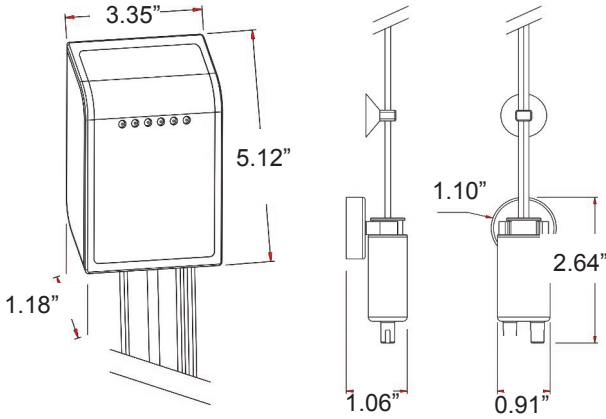
Topping off evaporated water for our aquariums is a tedious but essential task that every hobbyist encounters to maintain stable specific gravity & salinity levels.

Customize your own "High and Low" set points to prevent constant On/Off cycling prone to single sensor design

Sensors utilize rare earth neodymium magnets for stationary placement and simple out of the box installation. Small

form factor makes it the ideal choice for nano to full size aquariums. Two chemically inert graphite electrodes are housed in each sensor for redundancy & consistent long-term performance in harsh marine environments.

# Hydrofill—ATO Controller System



## FEATURES:

### Controller:

- 2 Year Warranty
- Conductivity Method
- For use in Fresh & Marine Applications
- Controller Dims: 3.35" x 1.18" x 5.12"
- 1000W, 8Amp/120V Pump Capacity
- Power Consumption: < 1 Watt
- Visual LED indicators
  - a. Power -Red
  - b. Level - Green
  - c. Low Level – Green
  - d. Water Filling – Pulsing Green

### Sensors:

- Small Form Factor: 0.91" x 1.06" x 2.64"
- (2) Sensor Design
- Safe 5V Low Voltage
- 6 foot sensor cables
- (2) Rare Earth Neodymium Magnetic Sensor Holders
- Chemically Inert Graphite Electrodes

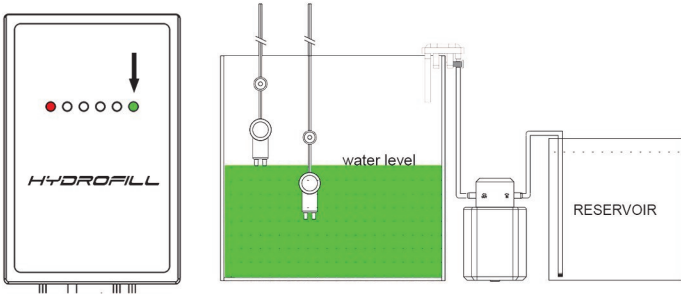
## HydroFill-ATO Controller

### Understanding the ATO Controller Readout

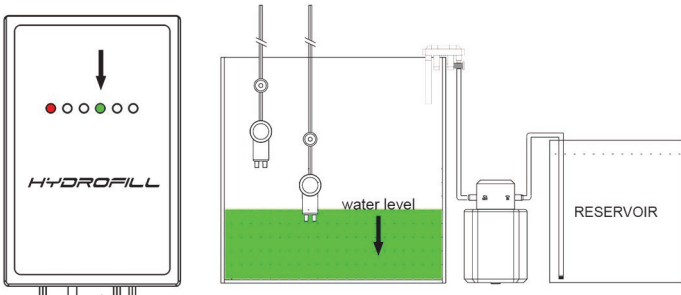
The HydroFill controller system takes advantage of your water's conductive properties to complete a low voltage circuit and cause a control relay to turn on your pump and replenish fresh water as it evaporates.

Using the (2) sensors, create a "High" & "Low" set point. Once a pump is plugged into the controller, it will automatically turn on when the water level falls below the "Low" sensor and refills until it reaches the "High" sensor.

Please read through the illustrations below to understand how the HydroFill operates in different scenarios.



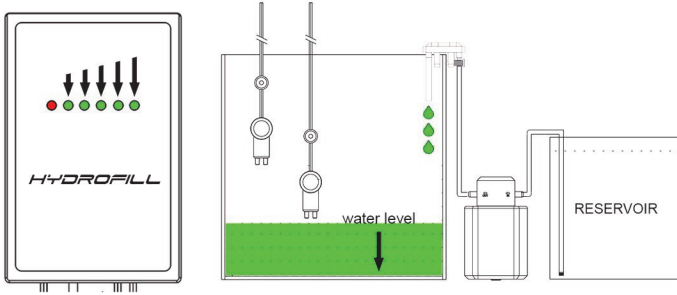
1. Both sensors detecting water, controller shows LEVEL, pump is turned OFF



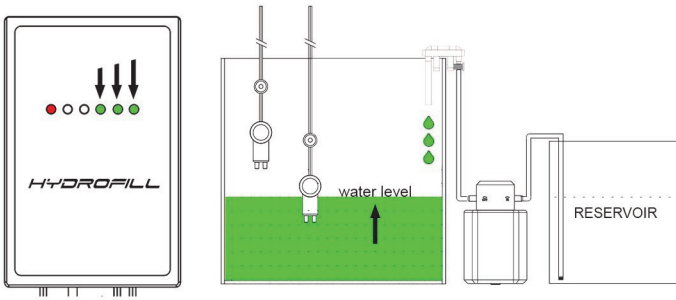
2. Only one sensor detecting water, controller shows LOW, pump is turned OFF



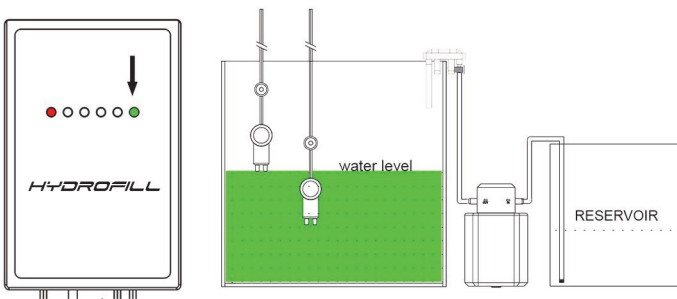
Understanding the ATO Controller Read Out



3. Both sensors NOT detecting water, controller shows 5 PULSING LEDs, pump is turned ON



4. Only one sensor is detecting water while filling, controller shows 3 PULSING LEDs, pump is turned ON



5. Both sensors detecting water, controller shows LEVEL, pump is turned OFF

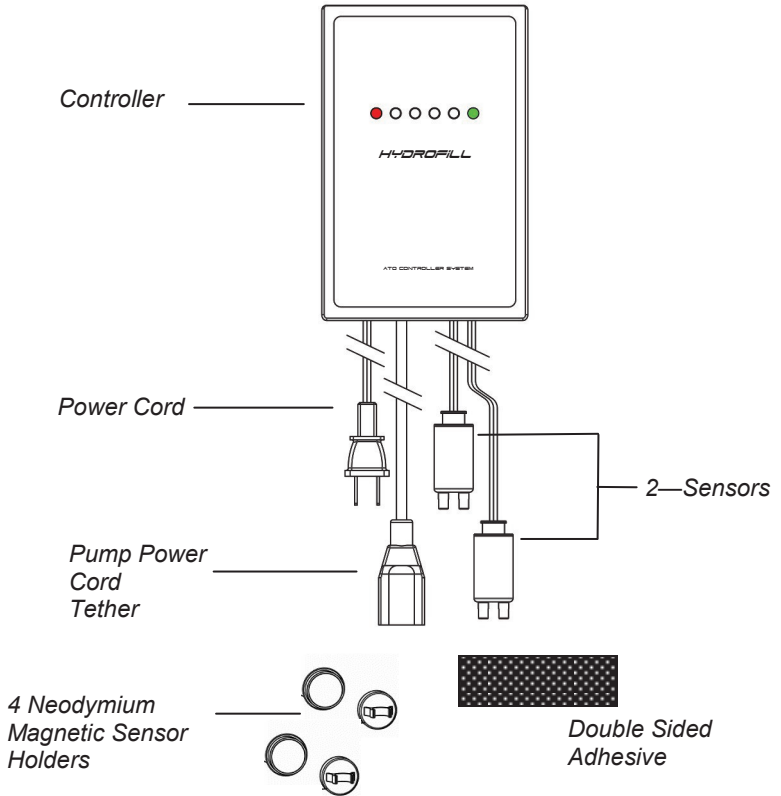
## HydroFill Controller System

### Unpacking and Inspection

Please inspect your new HydroFill Controller System and confirm all parts are included before assembly.

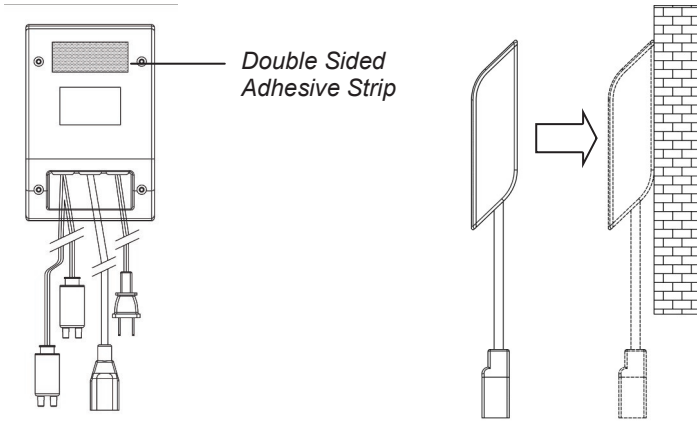
Immediately report if there is any damage or missing parts to [info@innovative-marine.com](mailto:info@innovative-marine.com)

Your HydroFill Controller purchase should include:



## CHOOSING A LOCATION FOR CONTROLLER

- Place the controller in an area where there is minimal humidity/moisture.
- Use the included Double Sided adhesive strip to mount controller on a flat surface.

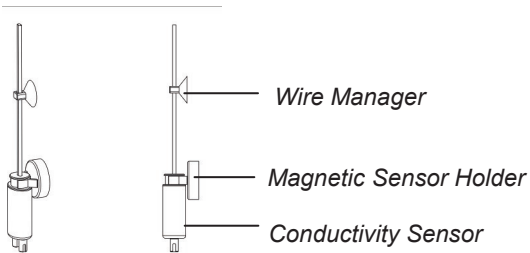


## CONDUCTIVITY SENSORS

Sensors are made from chemically inert graphite and rely on a safe low voltage for fish, corals, and invertebrates.

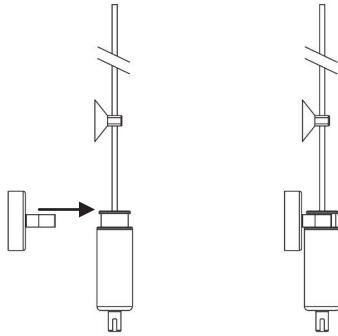
The sensor electrode tips detect the presence or absence of water. Always place sensor tips vertically for precise results.

### Conductivity Sensors



## SENSOR MOUNTING MAGNET ASSEMBLY

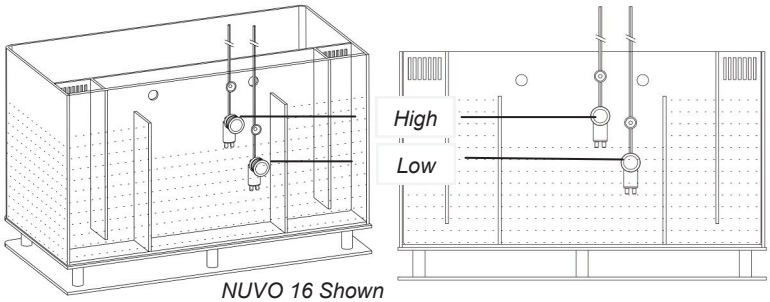
- Attach the Magnetic Sensor Mount onto the sensor
- Slide the clear Wire Manager toward the Sensor—this will help the wire placement/ management
- Do this for both Sensors



## CHOOSING A LOCATION FOR SENSORS

### All-In-One Aquariums

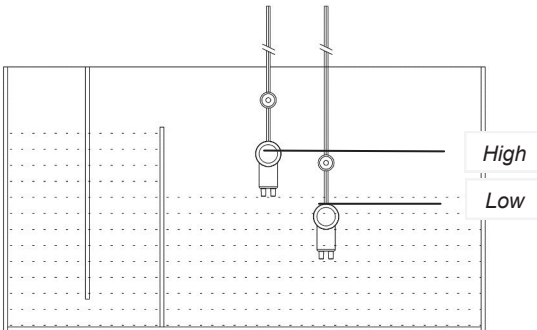
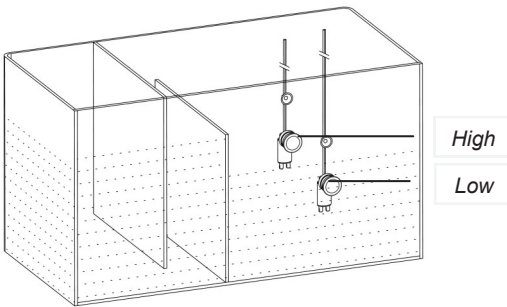
- Find the pump return compartment.
- Determine what water level is ideal for your aquarium.
- Place a Sensor as the “High” Sensor.
- Use the Magnetic Mount to secure the sensor
- Place the other Sensor as the “Low” Sensor
- Use the Magnetic Mount to secure the sensor
- Use the Wire Manager to secure wire to aquarium



## CHOOSING A LOCATION FOR SENSORS

### Sumps

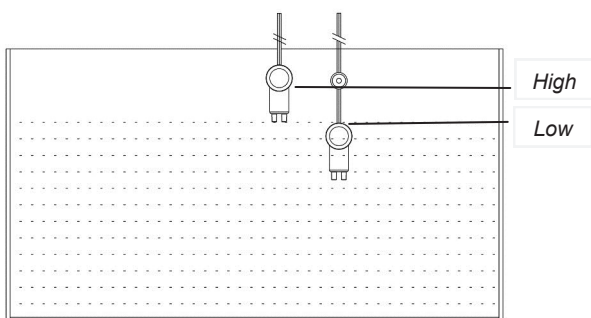
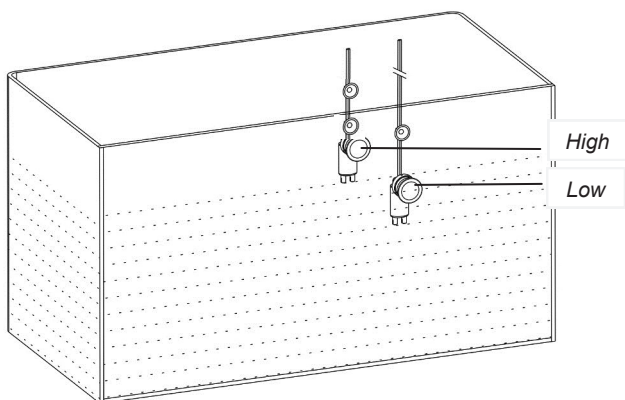
- Determine what water level is ideal for your sump.
- Place a Sensor as the “High” Sensor.
- Use the Magnetic Holder to secure the sensor
- Place the other Sensor as the “Low” Sensor
- Use the Magnetic Mount to secure the sensor
- Use the Wire Manager holder to secure wire to sump



## CHOOSING A LOCATION FOR SENSORS

### Standard Aquariums

- Determine what water level is ideal for your aquarium.
- Place a Sensor as the “High” Sensor.
- Use the Magnetic Mount to secure the sensor
- Place the other Sensor as the “Low” Sensor
- Use the Magnetic Holder to secure the sensor
- Use the Wire Manager holder to secure wire to aquarium



## Cleaning Sensors

Sensors may get algae build up. This may cause the ATO not to function accurately

- Unplug HydroFill Controller from electrical outlet before performing any maintenance.
- Unplug pump from HydroFill Controller
- Pull both Sensors out of the water
- Run Sensors under fresh water and wipe off any algae build up.







## WARRANTY INFORMATION

### LIMITED 2 YEAR WARRANTY— HydroFill—ATO Controller System

This HydroFill ATO Controller System has a 2 YEAR limited warranty. The HydroFill ATO Controller System is warranted to the original purchaser against defective material and workmanship for 2 YEAR from the date of original purchase. This warranty is valid only under the following conditions: additions, modifications, or changes made to the product by the purchaser and not by the manufacturer shall void this warranty. Damages brought on by abuse, misapplication, or mishandling also voids this warranty.

This warranty is limited to the repair or replacement of the product at the discretion of the manufacturer. This warranty does not cover personal injury, property loss, including livestock or damage (direct, incidental, or consequential) arising out of use of this product. This warranty gives you specific rights and you may also have other rights, which may vary from state to state.

The Product Registration Card must be filled out completely and returned within (14) days from the date of purchase. Failure to do so will void this warranty. **A proof of purchase from an authorized dealer must be provided when making a warranty claim.**

For Warranty Claim please contact our Customer Care Department.

A RMA # must be issued before sending any product back to Innovative Marine. Products sent back to Innovative Marine without a RMA# will be not be accepted. Service on products will not extend the original warranty period.

**Email: [warranty@innovative-marine.com](mailto:warranty@innovative-marine.com)**

**PRODUCT INFORMATION**

**MODEL #**

**HYDROFILL  
CONTROLLER  
SERIAL #**

**DATE OF  
PURCHASE**

*Please keep your receipt in a safe place to ensure you have this information.*



[WWW.INNOVATIVE-MARINE.COM](http://WWW.INNOVATIVE-MARINE.COM)

A Division of

