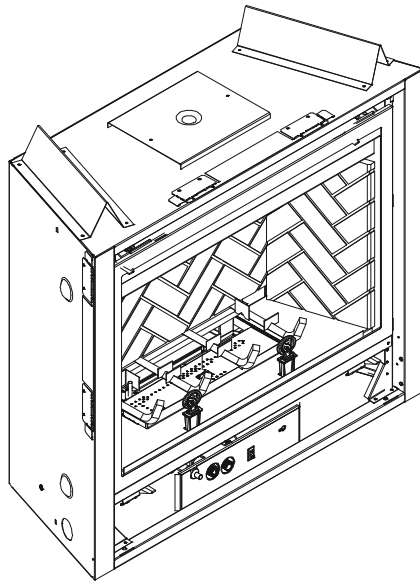


**Models:
QV32-A
QV36-A**

Installers Guide



Underwriters
Laboratories Listed

WARNING: IF THE INFORMATION IN THESE INSTRUCTIONS IS NOT FOLLOWED EXACTLY, A FIRE OR EXPLOSION MAY RESULT CAUSING PROPERTY DAMAGE, PERSONAL INJURY, OR DEATH.

- Do not store or use gasoline or other flammable vapors and liquids in the vicinity of this or any other appliance.
- **What to do if you smell gas**
 - Do not try to light any appliance.
 - Do not touch any electrical switch.
 - Do not use any phone in your building.
 - Immediately call your gas supplier from a neighbor's phone. Follow the gas supplier's instructions.
 - If you cannot reach your gas supplier, call the fire department.
- Installation and service must be performed by a qualified installer, service agency, or the gas supplier.

READ THIS MANUAL BEFORE INSTALLING OR OPERATING THIS APPLIANCE. THIS *INSTALLERS GUIDE* MUST BE LEFT WITH APPLIANCE FOR FUTURE REFERENCE.

WARNING: IMPROPER INSTALLATION, ADJUSTMENT, ALTERATION, SERVICE OR MAINTENANCE CAN CAUSE INJURY OR PROPERTY DAMAGE. REFER TO THIS MANUAL. FOR ASSISTANCE OR ADDITIONAL INFORMATION CONSULT A QUALIFIED INSTALLER, SERVICE AGENCY, OR THE GAS SUPPLIER.

1. This appliance may be installed in an aftermarket, permanently located, manufactured (mobile) home, where not prohibited by local codes.
2. This appliance is only for use with the type of gas indicated on the rating plate. This appliance is not convertible for use with other gases, unless a certified kit is used.

QUADRA-FIRE[®]
By ALADDIN HEARTH PRODUCTS


Aladdin Hearth Products
1445 N. Hwy. 395
Colville, WA 99114


Please contact your Aladdin Hearth Products dealer with any questions or concerns. For the number of your nearest Aladdin Hearth Products dealer, please call 1-800-234-2508.

This product is covered by one or more of the following patents: (United States) 4,112,913; 4,408,594; 4,422,426; 4,424,792; 4,520,791; 4,793,322; 4,852,548; 4,875,464; 5,000,162; 5,016,609; 5,076,254 5,191,877; 5,218,953; 5,328,356; 5,429,495; 5,452,708; 5,542,407; 5,613,487; (Australia) 543790; 586383; (Canada) 1,123,296; 1,297,746; 2,195,264; (Mexico) 97-0457; (New Zealand) 200265; or other U.S. and foreign patents pending.


SAFETY AND WARNING INFORMATION


 **READ** and **UNDERSTAND** all instructions carefully before starting the installation. **FAILURE TO FOLLOW** these installation instructions may result in a possible fire hazard and will void the warranty.


 Prior to the first firing of the fireplace, **READ** the Using Your Fireplace section of the *Owners Guide*.


 **DO NOT USE** this appliance if any part has been under water. Immediately **CALL** a qualified service technician to inspect the unit and to replace any part of the control system and any gas control which has been under water.


 **THIS UNIT IS NOT FOR USE WITH SOLID FUEL.**


 Installation and repair should be **PERFORMED** by a qualified service person. The appliance and venting system should be **INSPECTED** before initial use and at least annually by a professional service person. More frequent cleaning may be required due to excessive lint from carpeting, bedding material, etc. It is **IMPERATIVE** that the unit's control compartment, burners, and circulating air passageways **BE KEPT CLEAN** to provide for adequate combustion and ventilation air.


 Always **KEEP** the appliance clear and free from combustible materials, gasoline, and other flammable vapors and liquids.


 **NEVER OBSTRUCT** the flow of combustion and ventilation air. Keep the front of the appliance **CLEAR** of all obstacles and materials for servicing and proper operations.


 Due to the high temperature, the appliance should be **LOCATED** out of traffic areas and away from furniture and draperies. Clothing or flammable material **SHOULD NOT BE PLACED** on or near the appliance.


 Children and adults should be **ALERTED** to the hazards of high surface temperature and should **STAY AWAY** to avoid burns or clothing ignition. Young children should be **CAREFULLY SUPERVISED** when they are in the same room as the appliance.


 These units **MUST** use one of the vent systems described in the Installing the Fireplace section of the *Installers Guide*. **NO OTHER** vent systems or components **MAY BE USED**.


 This gas fireplace and vent assembly **MUST** be vented directly to the outside and **MUST NEVER** be attached to a chimney serving a separate solid fuel burning appliance. Each gas appliance **MUST USE** a separate vent system. Common vent systems are **PROHIBITED**.


 **INSPECT** the external vent cap on a regular basis to make sure that no debris is interfering with the air flow.


 The glass door assembly **MUST** be in place and sealed, and the trim door assembly **MUST** be in place on the fireplace before the unit can be placed into safe operation.

 **DO NOT OPERATE** this appliance with the glass door removed, cracked, or broken. Replacement of the glass door should be performed by a licensed or qualified service person. **DO NOT** strike or slam the glass door.

 The glass door assembly **SHALL ONLY** be replaced as a complete unit, as supplied by the gas fireplace manufacturer. **NO SUBSTITUTE** material may be used.

 **DO NOT USE** abrasive cleaners on the glass door assembly. **DO NOT ATTEMPT** to clean the glass door when it is hot.

 Turn off the gas before servicing this appliance. It is recommended that a qualified service technician perform an appliance check-up at the beginning of each heating season.

 Any safety screen or guard removed for servicing must be replaced before operating this appliance.


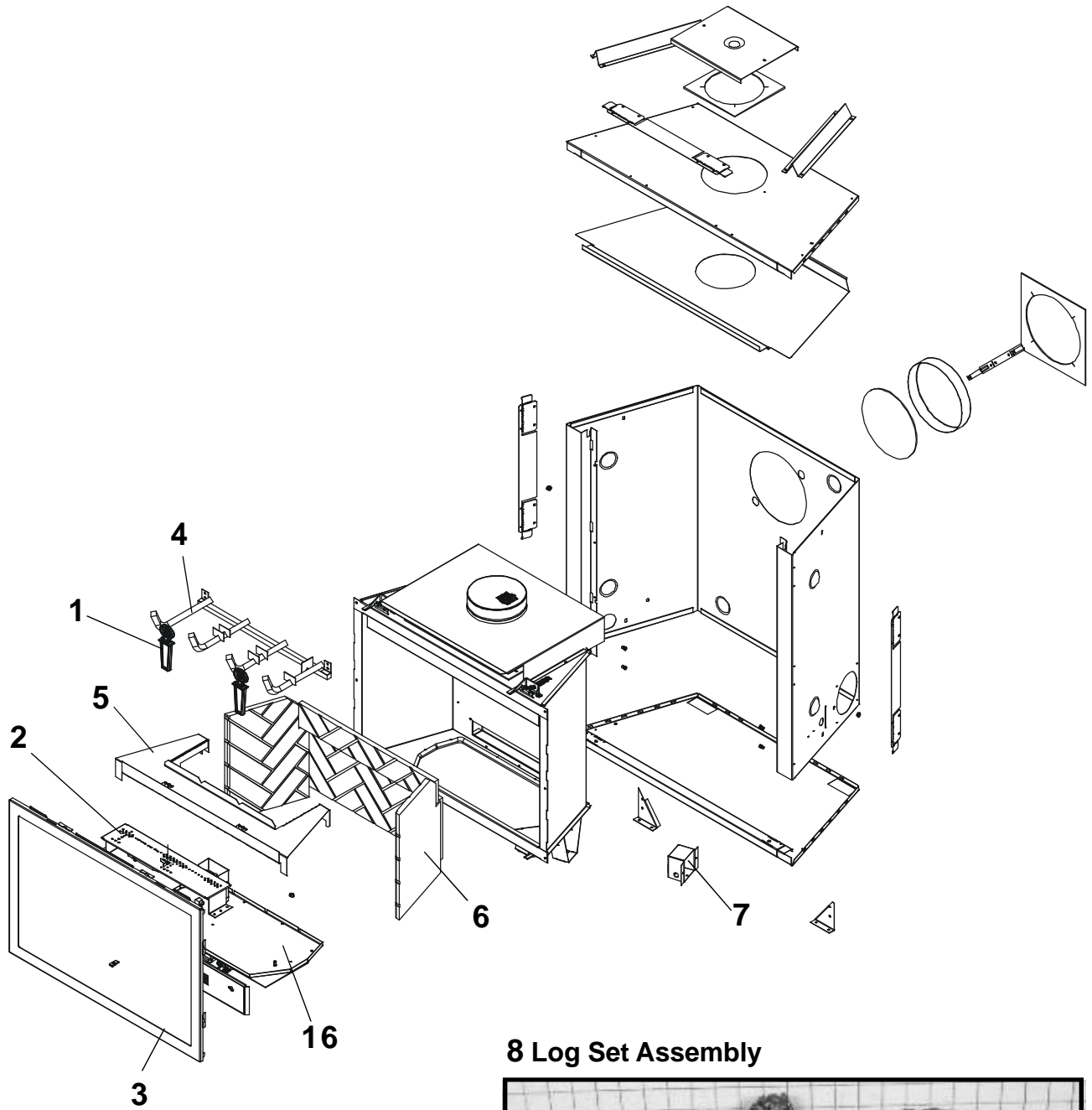
 **DO NOT** place furniture or any other combustible household objects within 36 inches of the fireplace front.

TABLE OF CONTENTS

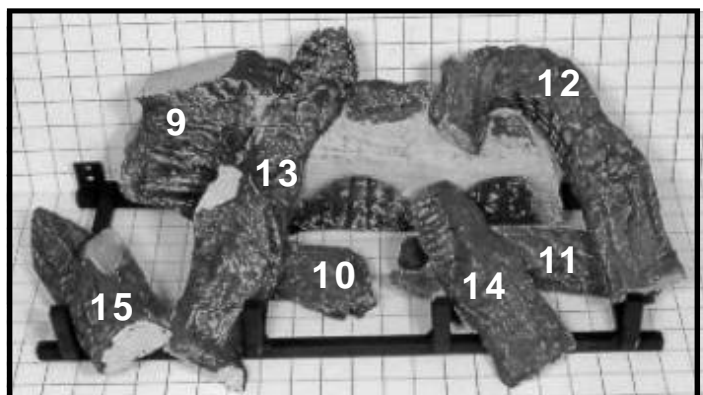
Safety and Warning Information	2
◆ Service Parts Lists	4
Section 1: Approvals and Codes	8
Appliance Certification	8
Installation Codes	8
High Altitude Installations	8
Section 2: Getting Started	9
Introducing the Village Collection Gas Fireplaces	9
◆ Pre-installation Preparation	9
Section 3: Installing the Fireplace	12
Constructing the Fireplace Chase	12
◆ Step 1 Locating the Fireplace	12
Step 2 Framing the Fireplace	13
Step 3 Installing the Vent System	16
A. Vent System Approvals	16
B. Installing Vent Components	26
◆ C. Vent Termination	29
Step 4 Positioning, Leveling, and Securing the Fireplace	32
Step 5 The Gas Control Systems	32
Step 6 The Gas Supply Line	33
Step 7 Gas Pressure Requirements	33
Step 8 Wiring the Fireplace	34
Step 9 Finishing	35
Refractory Kit Placement	35
Step 10 Installing Trim, Logs, and Ember Material	36
Installing the Trim	36
Shutter Settings	36
Placing the Ember Material	36
Step 11 Before Lighting the Fireplace	37
Step 12 Lighting the Appliance	38
After the Installation	38
Section 4: Maintaining and Servicing Your Fireplace	39
Section 5: Troubleshooting	40
Limited Lifetime Warranty	42

◆ = Contains updated information.

◆ QV32-A (NG, LP) Exploded Parts Diagram / Vue éclatée des pièces



8 Log Set Assembly



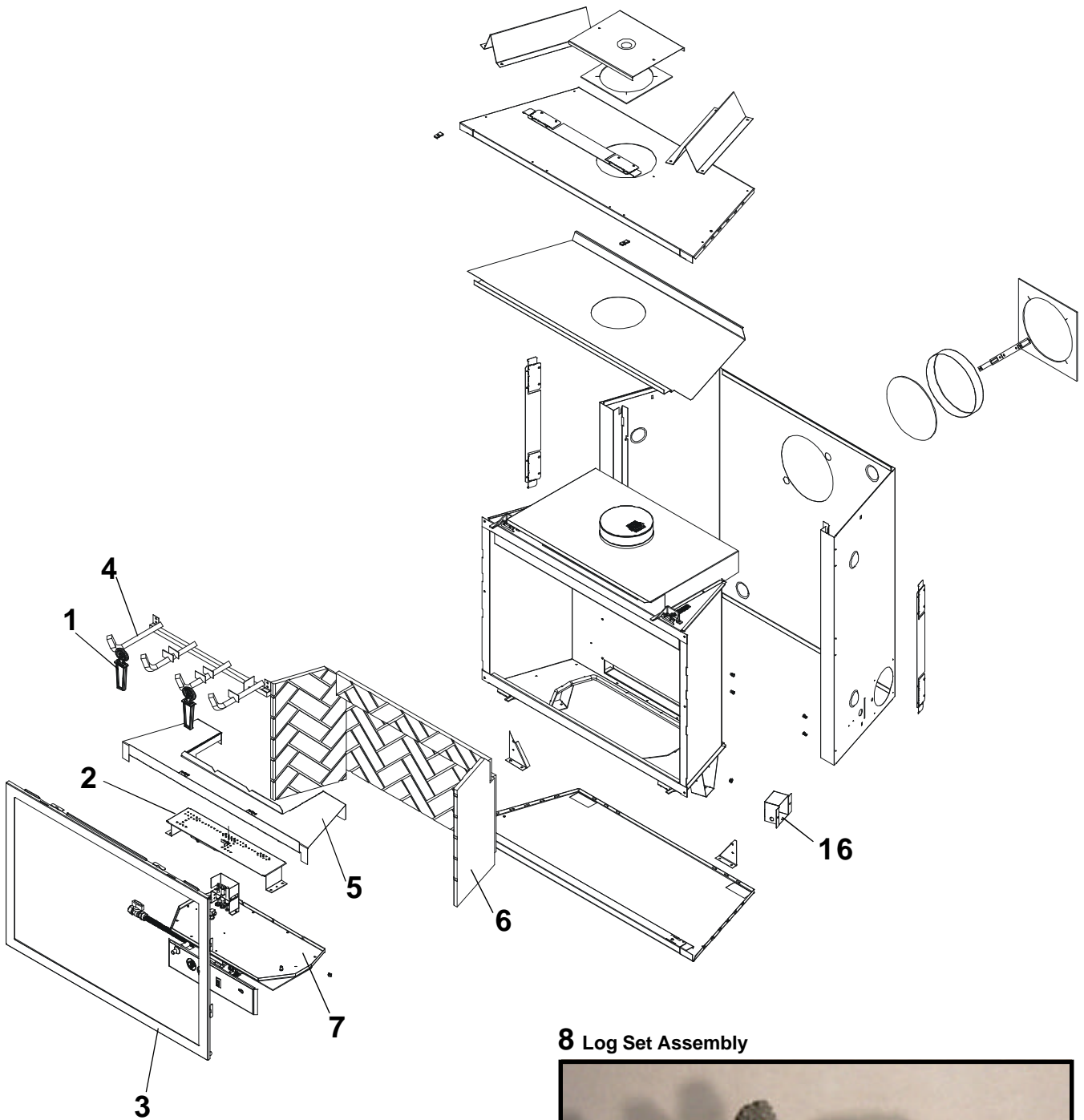
* Part number list on following page.
* La liste des numéros de pièce se trouve à la page suivante.

QV32-A (NG, LP) Service Parts List / Liste des pièces de rechange

IMPORTANT: THIS IS DATED INFORMATION. The most current information is located on your dealers VIP site. When ordering, supply serial and model numbers to ensure correct service parts. / **IMPORTANT :** L'information fournie dans cette brochure n'est valide que pendant une courte période. Les sites VIP des distributeurs disposent des renseignements les plus récents. Lors d'une commande, veuillez fournir les numéros de série et de modèles pour un remplacement adéquat des pièces.

ITEM / PIÈCE	STANDING PILOT IGNITION / D'ALLUMAGE PAR VEILLEUSE	PART NUMBER / N° DE PIÈCE
	On/Off Rock Switch / Interrupter a bascule marche/arret	060-511
	Flex Ball Valve Assembly / Fléchir l'Assemblée de Soupape de Balle	302-320A
	Piezo Ignitor / Allumage Piézo	291-513
	Burner Tube / Tube de brûleur	567-301A
	Burner Orifice NG (#38C) / Orifice de brûleur GN (#38C)	582-838
	Burner Orifice LP (1.55mmC) / Orifice de brûleur PL (1.55mmC)	582-8155
1	Andirons, Cast / Andirons, le Moule	80784
2	Burner NG / Brûleur GN	544-142A
2	Burner LP / Brûleur PL	557-132A
3	Glass Door Assembly / Porte en verre	GLA-550TRS
4	Log Grate / Grille de Bûche	293-360A
5	Base Refractory NG, LP / Réfractaire Base NG, PL	296-124
6	Refractory Kit (Sold as set only) / Réfractaire Kit (A vendu comme régler seulement)	BRICK-293
7	Junction Box / Boîtier de raccordement	100-250A
8	Log Set Assembly / Module de Jeu de Bûches	LOGS-296
9	Log 1 / Bûche 1	SRV545-710
10	Log 2 / Bûche 2	SRV536-705
11	Log 3 / Bûche 3	SRV536-706
12	Log 4 / Bûche 4	SRV536-704
13	Log 5 / Bûche 5	SRV536-718
14	Log 6 / Bûche 6	SRV446-715
15	Log 7 / Bûche 7	SRV484-705
16	Valve Assembly NG / Module de valve GN	291-106A
16	Valve Assembly LP / Module de valve PL	291-105A
	Valve NG / Valve GN	060-522
	Valve LP / Valve PL	060-523
	Pilot Assembly NG / Module de veilleuse GN	485-510A
	Pilot Assembly LP / Module de veilleuse PL	485-511A
	Pilot Orifice NG / Orifice de veilleuse GN	446-505
	Pilot Orifice LP / Orifice de veilleuse PL	446-517
	Thermocouple / Thermocouple	446-511
	Thermopile / Thermopile	060-512
	Pilot Control Knob / Piloter le Bouton de Contrôle	291-530
	Flame Control Knob / Flamber le Bouton de Contrôle	291-531
ACCESSORIES / ACCESSOIRES		
	Fan Kit / Module de ventilateur	GFK-160A
	Wall Switch Kit, Off-white / Module d'interrupteur mural, Blanc Cassé	WSK-21-HTI
	Wall Switch Kit, White / Module d'interrupteur mural, Blanc	WSK-21-W-HTI
	Conversion Kit NG / Module de conversion GN	NGK-293
	Conversion Kit LP / Module de conversion PL	LPK-293
	Door Front - Remington Ave.	DF-32RA-BK
	Door Front - Remington Ave.	DF-32RA-HP
	Door Front - Sun Prairie	DF-32SP-BK
	Door Front - Sun Prairie	DF-32SP-HP
	Door Front - Town Square	DF-32TS-BK
	Door Front - Town Square	DF-32TS-HP
	Hood, Black / Hotte, Noir	SRV550-175
	Hood, Hammered Pewter / Hotte, Pewter	SRV550-175-HP

◆ QV36-A (NG, LP) Exploded Parts Diagram / (GN, PL) Vue éclatée des pièces



8 Log Set Assembly



* Part number list on following page.
* La liste des numéros de pièce se trouve à la page suivante.

QV36-A (NG, LP) Service Parts List / Liste des pièces de rechange

IMPORTANT: THIS IS DATED INFORMATION. The most current information is located on your dealers VIP site. When ordering, supply serial and model numbers to ensure correct service parts. / **IMPORTANT :** L'information fournie dans cette brochure n'est valide que pendant une courte période. Les sites VIP des distributeurs disposent des renseignements les plus récents. Lors d'une commande, veuillez fournir les numéros de série et de modèles pour un remplacement adéquat des pièces.

ITEM / PIÈCE	STANDING PILOT IGNITION / D'ALLUMAGE PAR VEILLEUSE	PART NUMBER / N° DE PIÈCE
	On/Off Rocker Switch / Interrupteur a bascule marche/arret	060-511
	Flex Ball Valve Assembly / Fléchir l'Assemblée de Soupape de Balle	302-320A
	Piezo Ignitor / Allumage Piézo	291-513
	Burner Tube / Tube de brûleur	567-301A
	Burner Orifice NG (#36C) / Orifice de brûleur GN (#36C)	582-836
	Burner Orifice LP (#52C) / Orifice de brûleur PL (#52C)	582-852
1	Andirons, Cast / Andirons, le Moule	80784
2	Burner NG / Brûleur GN	537-142A
2	Burner LP / Brûleur PL	537-132A
3	Glass Door Assembly / Porte en verre	GLA-750TRS
4	Log Grate / Grille de Bûche	293-360A
5	Base Refractory NG, LP / Réfractaire Base NG, PL	294-124
6	Refractory Kit (Sold as set only) / Réfractaire Kit (A vendu comme régler seulement)	BRICK-291
7	Valve Assembly NG / Module de valve GN	291-106A
7	Valve Assembly LP / Module de valve PL	291-105A
8	Log Set Assembly / Module de Jeu de Bûches	LOGS-291
9	Log 1 / Bûche 1	SRV537-134
10	Log 2 / Bûche 2	SRV537-135
11	Log 3 / Bûche 3	SRV544-707
12	Log 4 / Bûche 4	SRV544-704
13	Log 5 / Bûche 5	SRV446-715
14	Log 6 / Bûche 6	SRV537-718
15	Log 7 / Bûche 7	SRV537-705
16	Junction Box / Boîtier de raccordement	100-250A
	Valve NG / Valve GN	060-522
	Valve LP / Valve PL	060-523
	Pilot Assembly NG / Module de veilleuse GN	485-510A
	Pilot Assembly LP / Module de veilleuse PL	485-511A
	Pilot Control Knob / Piloter le Bouton de Contrôle	291-530
	Flame Control Knob / Flambrer le Bouton de Contrôle	291-531
	Pilot Orifice NG / Orifice de veilleuse GN	446-505
	Pilot Orifice LP / Orifice de veilleuse PL	446-517
	Thermocouple / Thermocouple	446-511
	Thermopile / Thermopile	060-512
ACCESSORIES / ACCESSOIRES		
	Fan Kit / Module de ventilateur	GFK-160A
	Wall Switch Kit, Off-white / Module d'interrupteur mural, Blanc Cassé	WSK-21-HTI
	Wall Switch Kit, White / Module d'interrupteur mural, Blanc	WSK-21-W-HTI
	Conversion Kit NG / Module de conversion GN	NGK-291
	Conversion Kit LP / Module de conversion PL	LPK-291
	Door Front - Town Square	DF-36TS-BK
	Door Front - Town Square	DF-36TS-HP
	Door Front - Sun Prairie	DF-36SP-BK
	Door Front - Sun Prairie	DF-36SP-HP
	Door Front - Remington Avenue	DF-36RA-BK
	Door Front - Remington Avenue	DF-36RA-HP
	Door Front - Remington Place	DF-36RP-BK
	Door Front - Remington Place	DF-36RP-HP
	Door Front - Chapel Hill	DF-36CH-BK
	Door Front - Chapel Hill	DF-36CH-HP
	Hood, Black / Hotte, Noir	SRV60-143-BK
	Hood, Hammered Pewter / Hotte, Pewter	SRV60-143-HP

1

Approvals and Codes

Appliance Certification

The Village Collection fireplace models discussed in this *Installers Guide* have been tested to certification standards and listed by the applicable laboratories.

Certification
MODELS: QV32-A, QV36-A LABORATORY: Underwriters Laboratories TYPE: Vented Gas Fireplace Heater STANDARD: ANSI Z21.88•CSA2.33•UL307B

NOTE: THESE MODELS ARE UL LISTED TO UL307B, THE STANDARD FOR GAS-BURNING HEATING APPLIANCES FOR MANUFACTURED HOMES AND RECREATIONAL VEHICLES.

Installation Codes

The fireplace installation must conform to local codes. Before installing the fireplace, consult the local building code agency to ensure that you are in compliance with all applicable codes, including permits and inspections.

In the absence of local codes, the fireplace installation must conform to the National Fuel Gas Code ANSI Z223.1 (in the United States) or the CAN/CGA-B149 Installation Codes (in Canada). The appliance must be electrically grounded in accordance with local codes or, in the absence of local codes with the National Electric Code ANSI/NFPA No. 70 (in the United States), or to the CSA C22.1 Canadian Electric Code (in Canada).

These models may be installed in a bedroom or bed-sitting room in the U.S.A. and Canada.

High Altitude Installations

U.L. Listed gas fireplaces are tested and approved for elevations from 0 to 2,000 feet in the U.S.A. and from 0 to 4,500 feet in Canada.

When installing this fireplace at an elevation above 2,000 feet (in the United States), it may be necessary to decrease the input rating by changing the existing burner orifice to a smaller size. Input should be reduced four percent (4%) for each 1,000 feet above sea level, unless the heating value of the gas has been reduced, in which case this general rule will not apply. To identify the proper orifice size, check with the local gas utility.

When installing this fireplace at an elevation between 2,000 and 4,500 feet (in Canada), the input rating must be reduced by ten percent (10%).

When installing this fireplace at an elevation above 4,500 feet (in Canada), check with local authorities.

Consult your local gas utility for assistance in determining the proper orifice for your location.

2

Getting Started

Introducing the Village Collection Gas Fireplaces

The Village Collection direct vent gas fireplaces are designed to operate with all combustion air siphoned from outside of the building and all exhaust gases expelled to the outside.

The information contained in this *Installers Guide*, unless noted otherwise, applies to all models and gas control systems. Gas fireplace diagrams, including the dimensions, are shown in this section.

Pre-install Preparation

This gas fireplace and its components are tested and safe when installed in accordance with this *Installers Guide*. Report to your dealer any parts damaged in shipment, particularly the condition of the glass. **Do not install any unit with damaged, incomplete, or substitute parts.**

The vent system components and trim doors are shipped in separate packages. The gas logs are packaged separately and must be field installed.

Read all of the instructions before starting the installation. Follow these instructions carefully during the installation to ensure maximum safety and benefit. Failure to follow these instructions will void the owner's warranty and may present a fire hazard.

The Aladdin Hearth Products Warranty will be voided by, and Aladdin Hearth Products disclaims any responsibility for, the following actions:

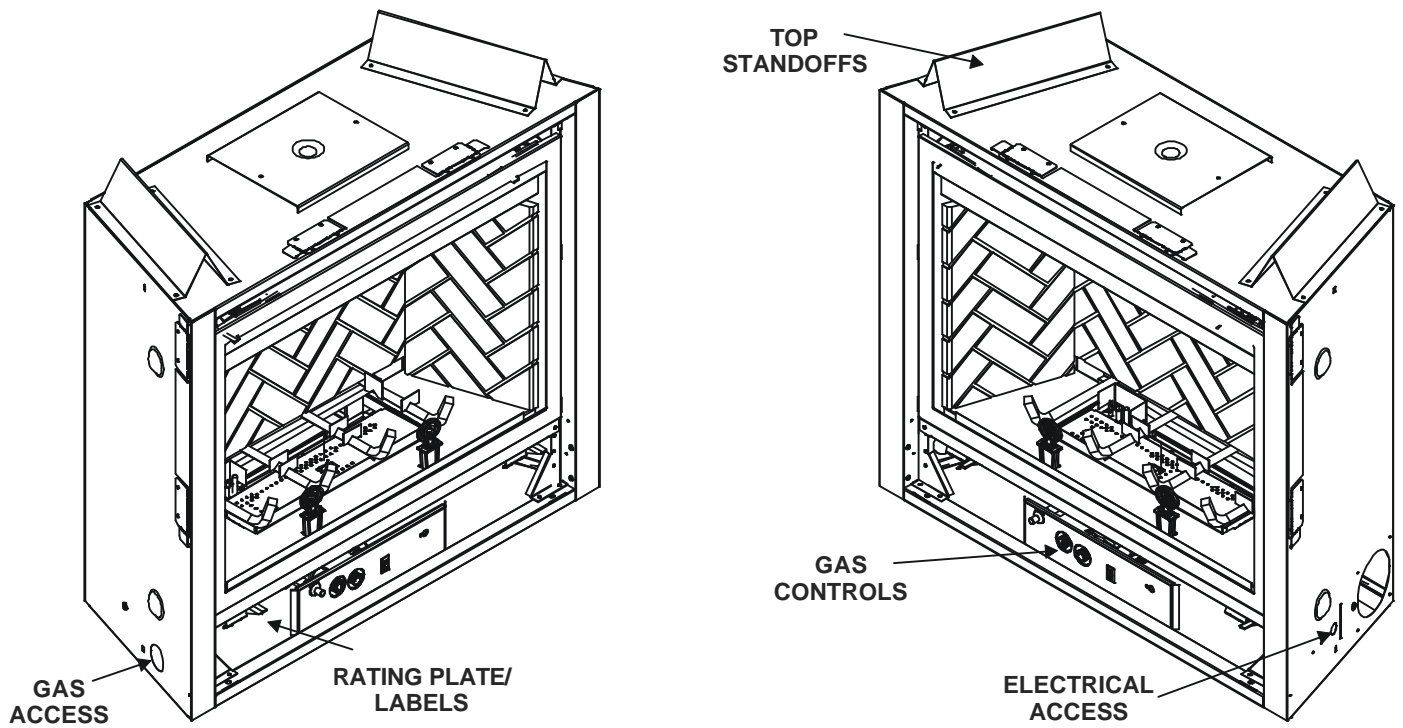
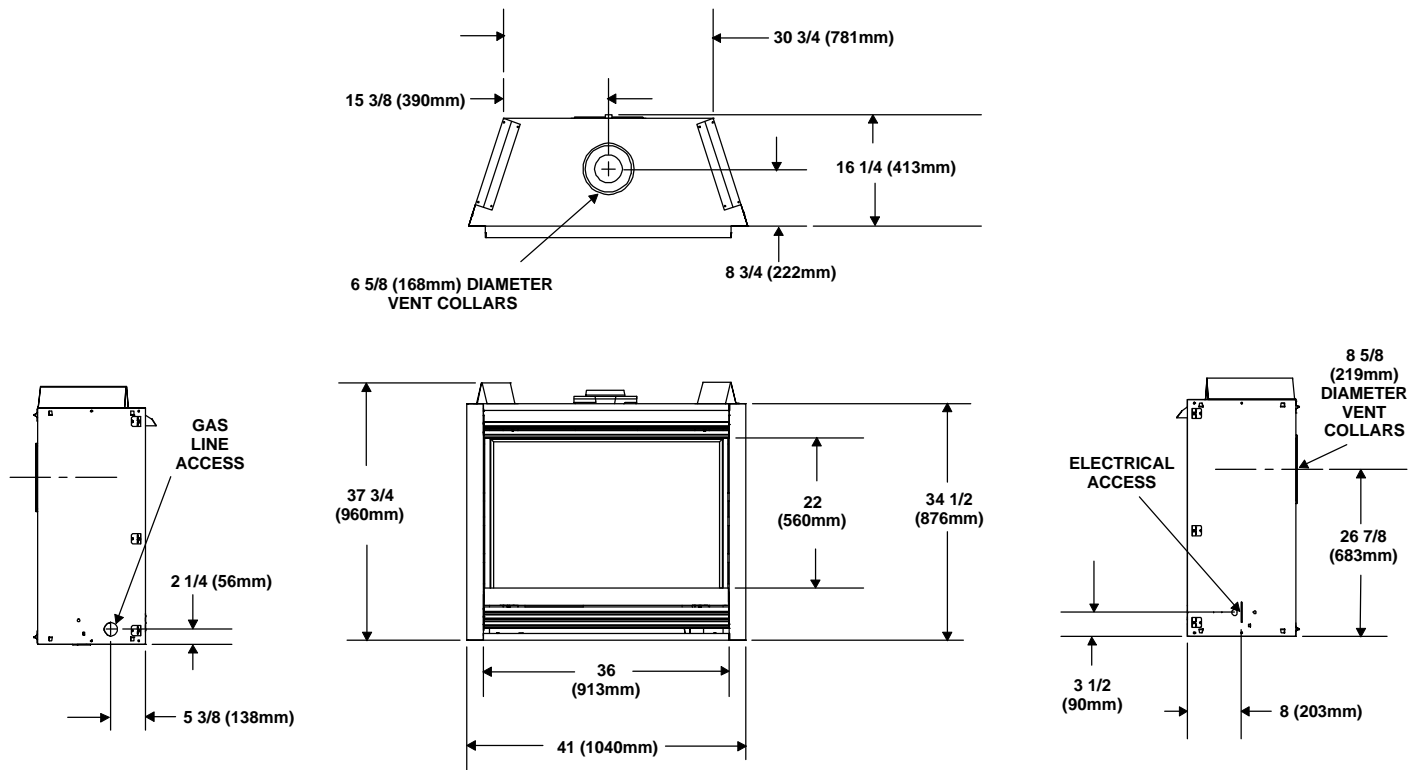
- Installation of any damaged fireplace or vent system component.
- Modification of the fireplace or direct vent system.
- Installation other than as instructed by Aladdin Hearth Products.
- Improper positioning of the gas logs or the glass door.
- Installation and/or use of any component part not manufactured and approved by Aladdin Hearth Products, not withstanding any independent testing laboratory or other party approval of such component part or accessory.

ANY SUCH ACTION MAY POSSIBLY CAUSE A FIRE HAZARD.

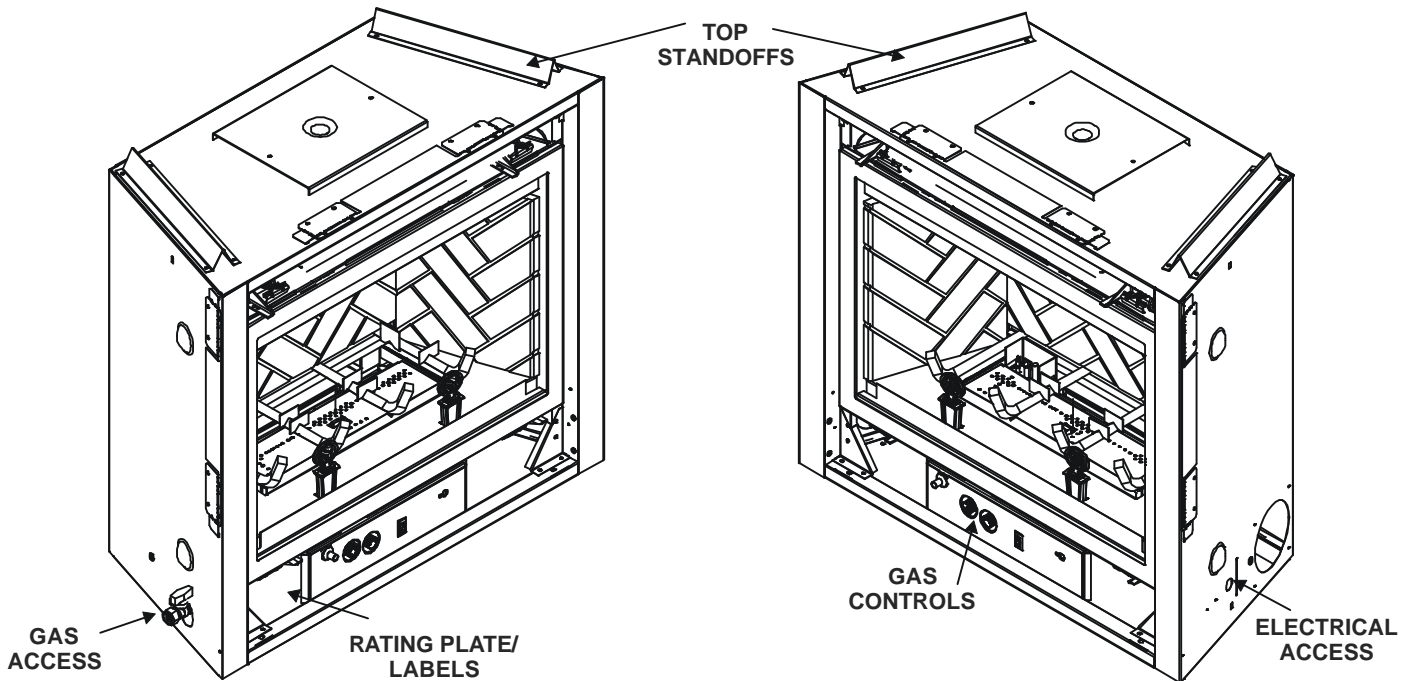
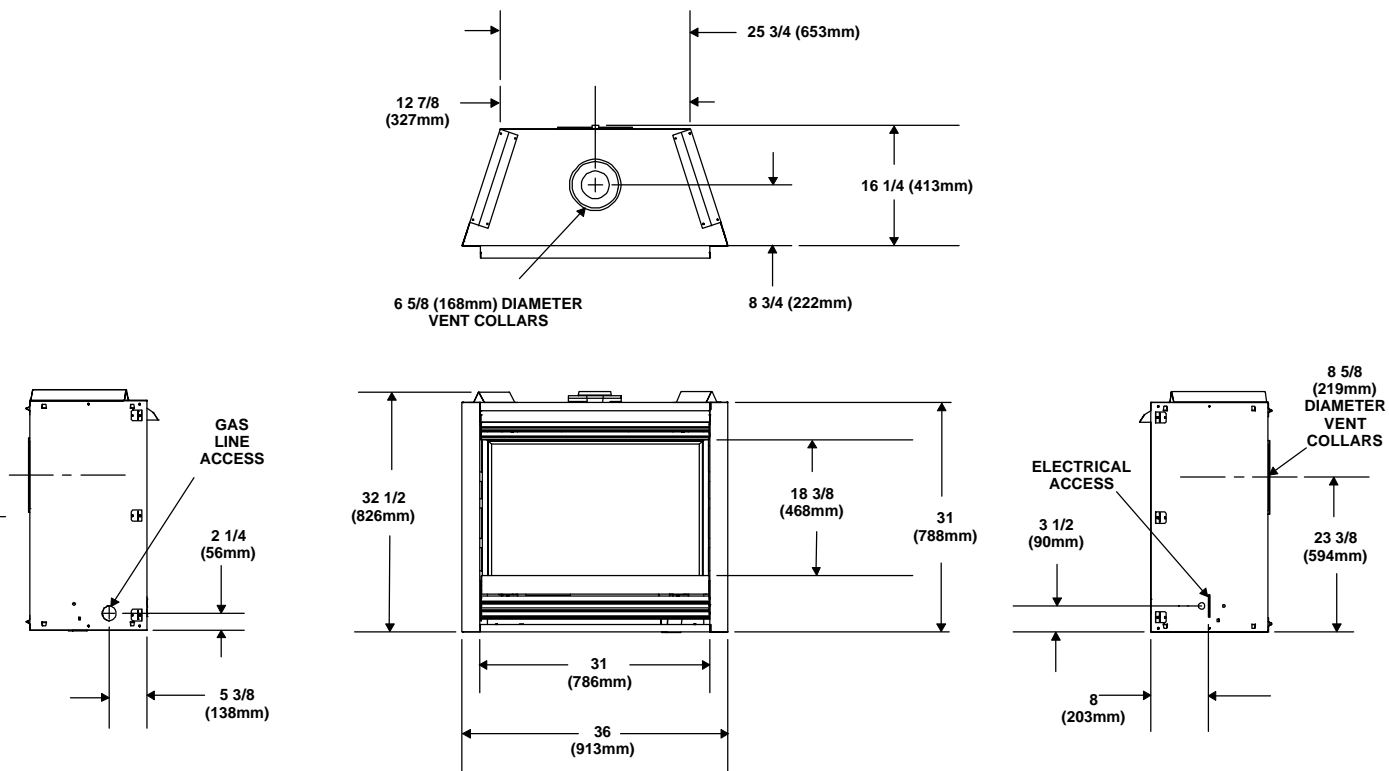
When planning a fireplace installation, it's necessary to determine:

- Where the unit is to be installed.
- The vent system configuration to be used.
- Gas supply piping.
- Electrical wiring.
- Framing and finishing details.
- Whether optional accessories—devices such as a fan, wall switch, or remote control—are desired.

If the fireplace is to be installed on carpeting or tile, or on any combustible material other than wood flooring, the fireplace should be installed on a metal or wood panel that extends the full width and depth of the fireplace.



◆ Figure 1. Diagram of the QV36-A



◆ Figure 2. Diagram of the QV-32-A

3

Installing the Fireplace

Constructing the Fireplace Chase

A chase is a vertical box-like structure built to enclose the gas fireplace and/or its vent system. Vertical vents that run on the outside of a building may be, but are not required to be, installed inside a chase.

CAUTION: TREATMENT OF FIRESTOP SPACERS AND CONSTRUCTION OF THE CHASE MAY VARY WITH THE TYPE OF BUILDING. THESE INSTRUCTIONS ARE NOT SUBSTITUTES FOR THE REQUIREMENTS OF LOCAL BUILDING CODES. THEREFORE, YOUR LOCAL BUILDING CODES **MUST** BE CHECKED TO DETERMINE THE REQUIREMENTS FOR THESE STEPS.

Factory-built fireplace chases should be constructed in the manner of all outside walls of the home to prevent cold air drafting problems. The chase should not break the outside building envelope in any manner.

This means that the walls, ceiling, base plate and cantilever floor of the chase should be insulated. Vapor and air infiltration barriers should be installed in the chase as per regional codes for the rest of the home. Additionally, Aladdin Hearth Products recommends that the inside surfaces be sheet-rocked and taped for maximum air tightness.

To further prevent drafts, the firestops should be caulked to seal gaps. Gas line holes and other openings should be caulked or stuffed with insulation. If the unit is being installed on a cement slab, we recommend that a layer of plywood be placed underneath to prevent conducting cold up into the room. Be sure to include spark arrestors for woodburning units if they are required.

THE CHASE SHOULD BE CONSTRUCTED SO THAT ALL CLEARANCES TO THE FIREPLACE ARE MAINTAINED AS SPECIFIED WITHIN THIS INSTALLERS GUIDE.

Step 1. Locating the Fireplace

The following diagram shows space and clearance requirements for locating a fireplace within a room.

Clearance Requirements

The top and back of the fireplace are defined by stand-offs. The minimum clearance to a perpendicular wall extending past the face of the fireplace is 3 inches (76mm). The back of the fireplace may be recessed 16 1/4 inches (413mm) into combustible construction.

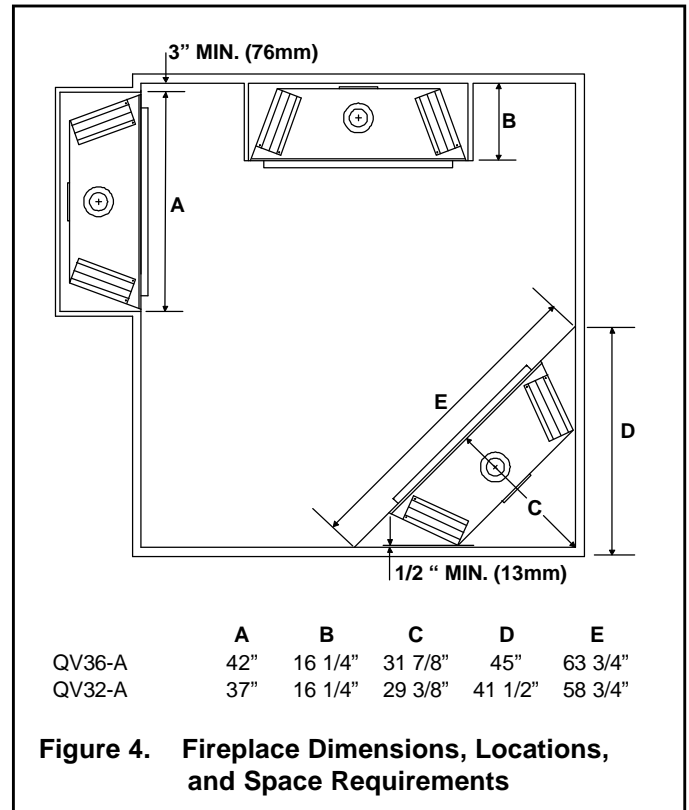


Figure 4. Fireplace Dimensions, Locations, and Space Requirements

Minimum Clearances from the Fireplace to Combustible Materials

	Inches	mm
Glass Front	36	914
Floor	0	0
Rear	1/2	13
Sides	1/2	13
Top (QV-36)	3 1/4	83
(QV-32)	1 1/2	38
Ceiling*	31	787

* The clearance to the ceiling is measured from the top of the unit, excluding the standoffs (see Figure 38).

The distance from the unit to combustible construction is to be measured from the unit outer wrap surface to the combustible construction, **NOT** from the screw heads that secure the unit together.

Minimum Clearances from the Vent Pipe to Combustible Materials

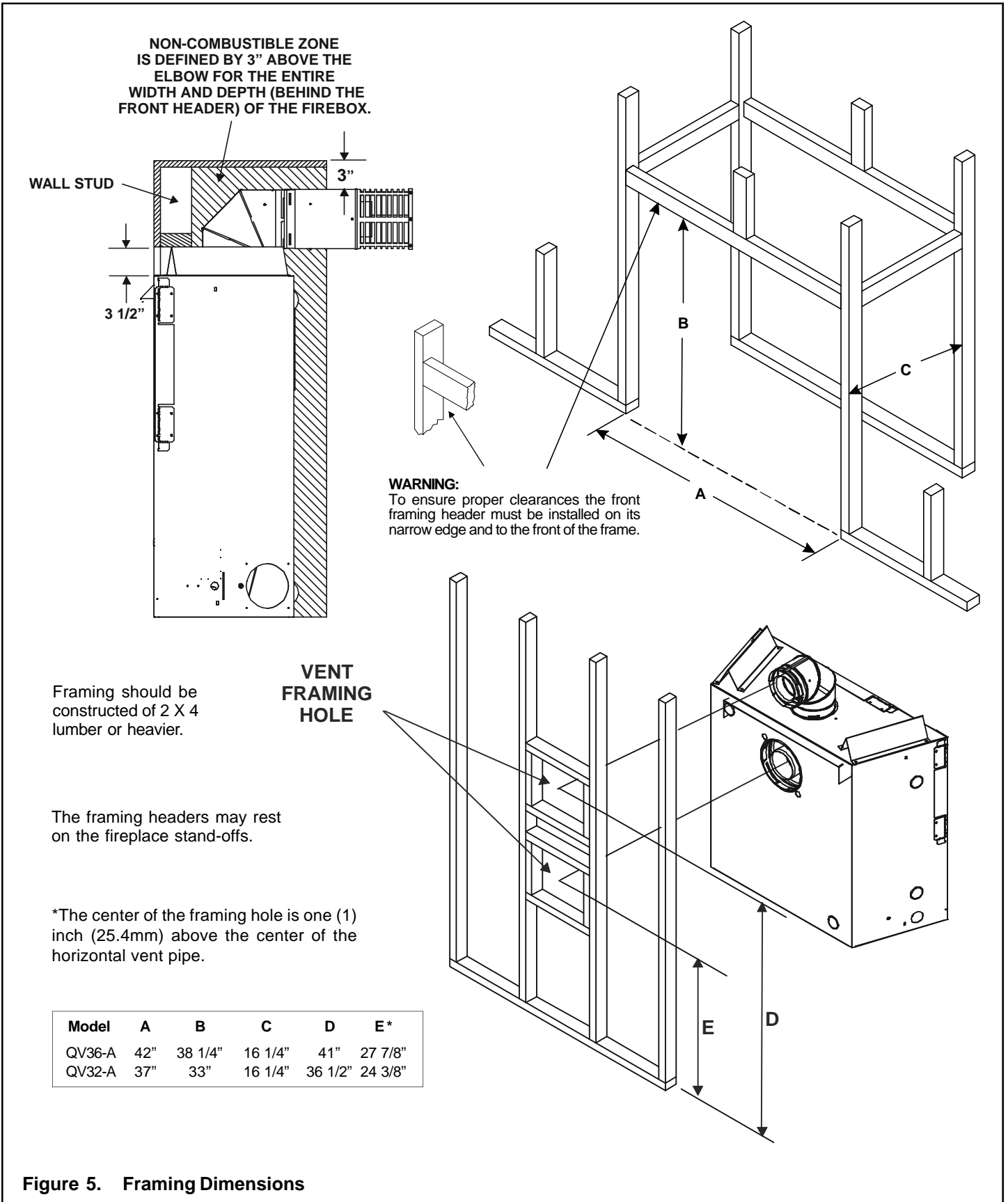
	Inches	mm
Vertical Sections	1	25
Horizontal Sections		
Top	3	75
Bottom	1	25
Sides	1	25
At Wall Firestops		
Top	2 1/2	63.7
Bottom	1/2	13
Sides	1	25

For minimum clearances, see the direct vent termination clearance in Figures 30 and 31.

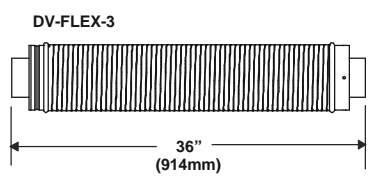
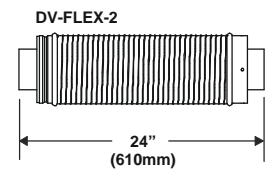
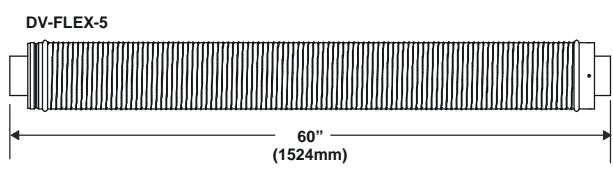
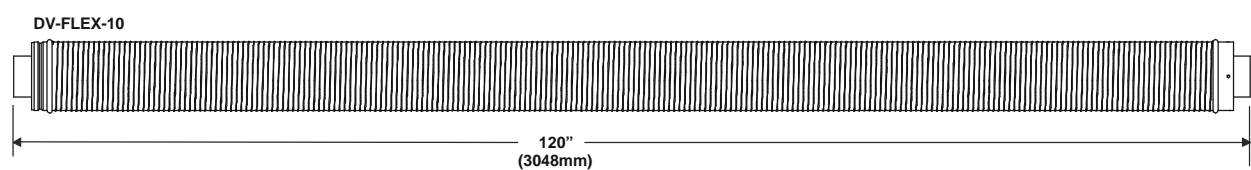
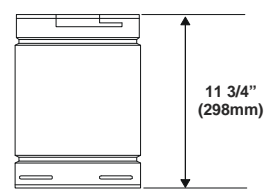
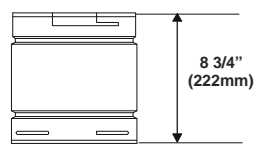
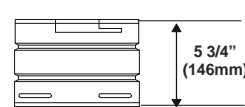
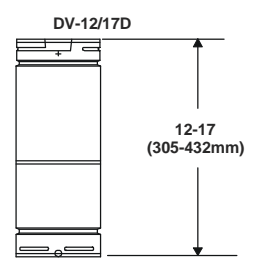
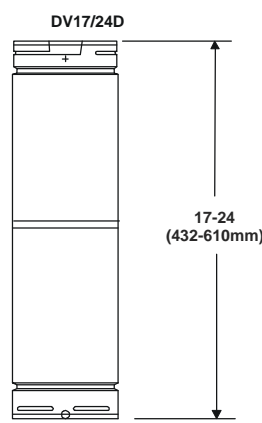
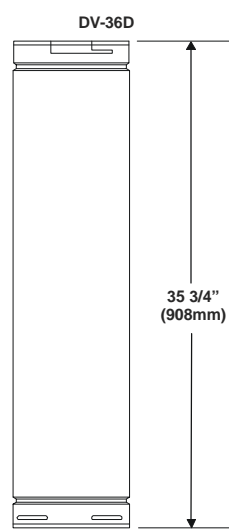
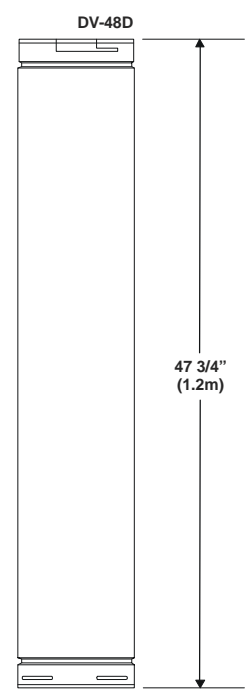
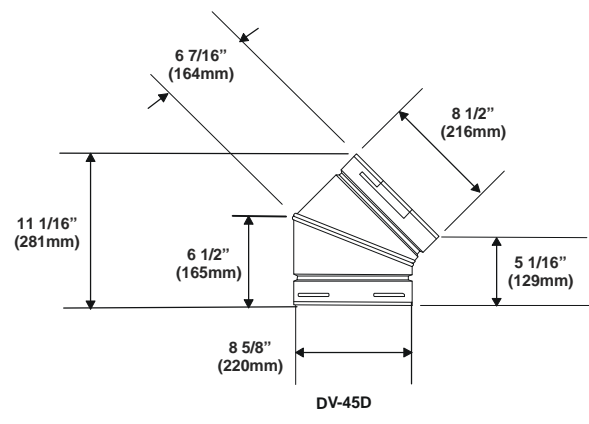
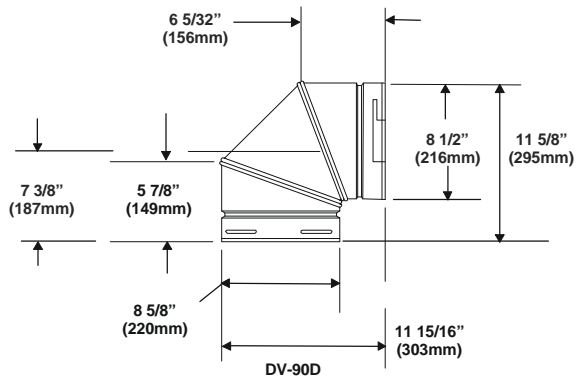
Step 2. Framing the Fireplace

Fireplace framing can be built before or after the fireplace is set in place. Framing should be positioned to accommodate wall coverings and fireplace facing material. The diagram below shows framing reference dimensions.

CAUTION: MEASURE FIREPLACE DIMENSIONS AND VERIFY FRAMING METHODS AND WALL COVERING DETAILS BEFORE FRAMING.

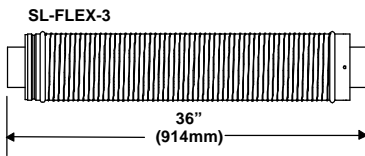
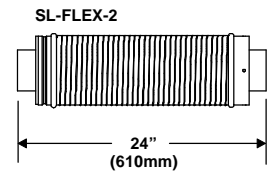
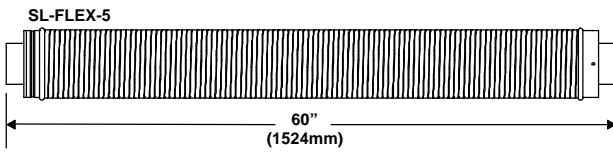
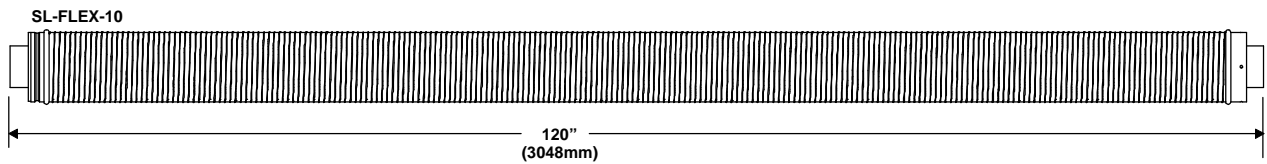
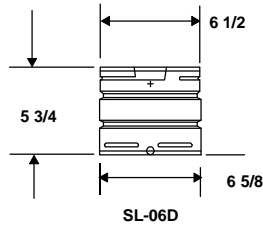
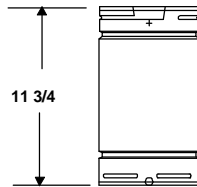
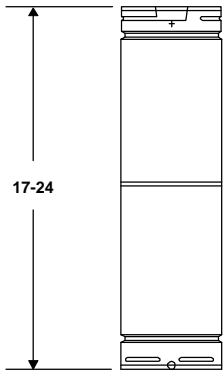
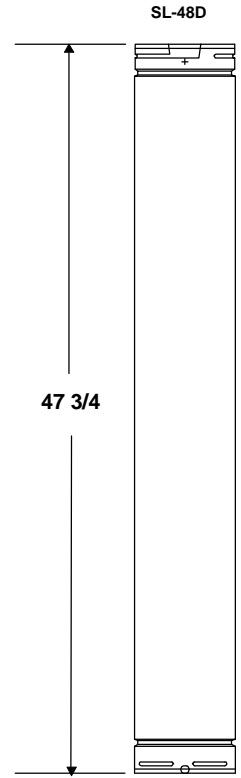
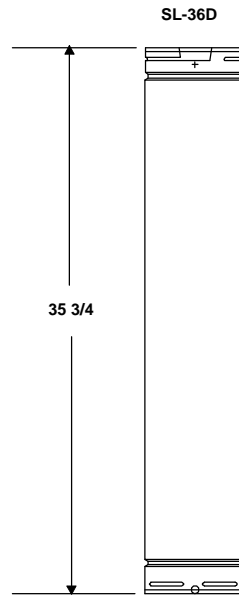
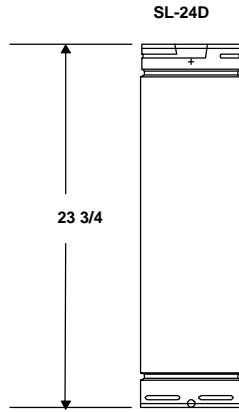
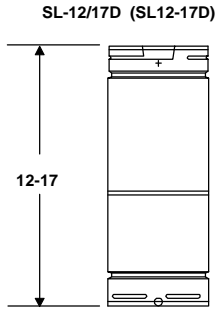
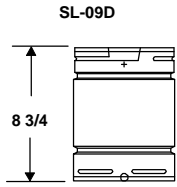
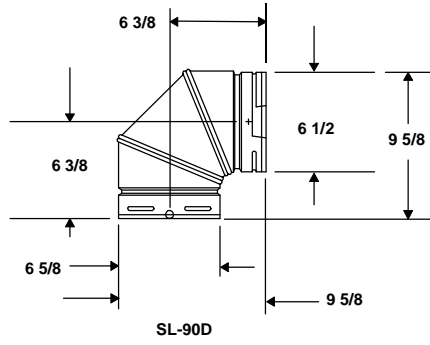
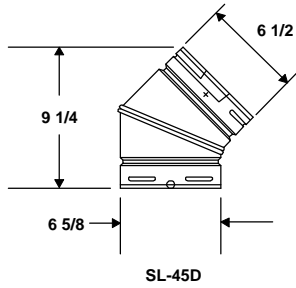


◆ **Figure 5. Framing Dimensions**



NOTE: PIPES OVERLAP 1-3/8 INCHES (34.93mm) AT EACH JOINT.

Figure 6. D-Series Direct Vent Component Specifications (5-inch inner pipe / 8 5/8-inch outer pipe)



NOTE: PIPES OVERLAP 1-3/8 INCHES (34.93mm) AT EACH JOINT.

Figure 7. SL D-Series Direct Vent Component Specifications (4-inch inner pipe / 6 5/8-inch outer pipe)

Step 3. Installing the Vent System

A. Vent System Approvals

These models have vent starting collars on both the top and the back of the unit. Depending upon the installation, decide which ONE set of starting collars will be used to attach the vent system. The starting collar sealing cap must remain on the starting collar NOT used.

These models use SL-D-series, direct vent components when using the **TOP** vent collars and D-series direct vent components when using the **REAR** vent collars.

The flame and ember appearance may vary based on the type of fuel burned and the venting configuration used.

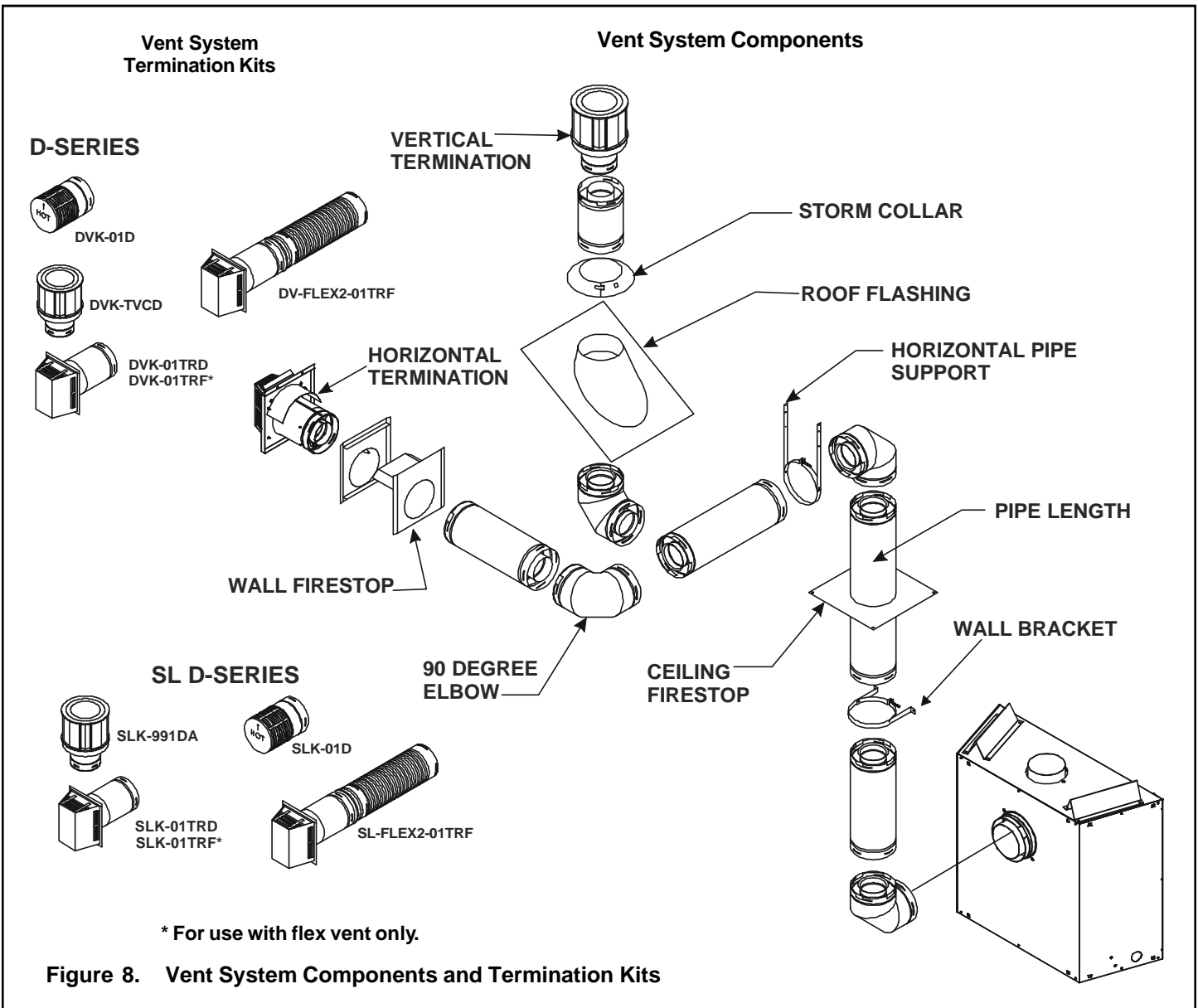
WARNING: YOU MUST NOT MIX D-SERIES AND SL D-SERIES COMPONENTS IN ANY VENT SYSTEM CONFIGURATION.

Identifying Vent Components

Approved vent system components are labeled for identification. This pipe is tested and listed as an approved component of the fireplace. The pipe is tested to be run inside an enclosed wall. There is no requirement for inspection openings at each joint within the wall. There is no required pitch for horizontal vent runs. **NO OTHER VENTING SYSTEMS OR COMPONENTS MAY BE USED.** Detailed installation instructions are included with each vent termination kit and should be used in conjunction with this *Installers Guide*. Figure 7 shows vent system components and terminations.

The vent systems installed on this gas fireplace may include one, two, or three 90° elbow assemblies. The relationships of vertical rise to horizontal run in vent configurations using 90° elbows **MUST BE** strictly adhered to. The rise to run relationships are shown in the venting drawings and tables. Refer to the diagrams on the next several pages.

NOTE: Two 45° elbows may be used in place of one 90° elbow. Maximum and minimum rise to run ratios must always be maintained in the vent system when using 45° elbows.



* For use with flex vent only.

Figure 8. Vent System Components and Termination Kits

Flex Vent

The flex vent must be supported with the spacing between support intervals not exceeding 4 feet, with no more than 1/2 inch sag between supports.

A support is required at each change in venting direction, and in any location where it is necessary to maintain the necessary clearance to combustibles. A simple "up and out" installation (Figure 9) requires only enough support to maintain the necessary clearance to combustibles. However, the vent attachment point and the firestop location are considered to be supports.

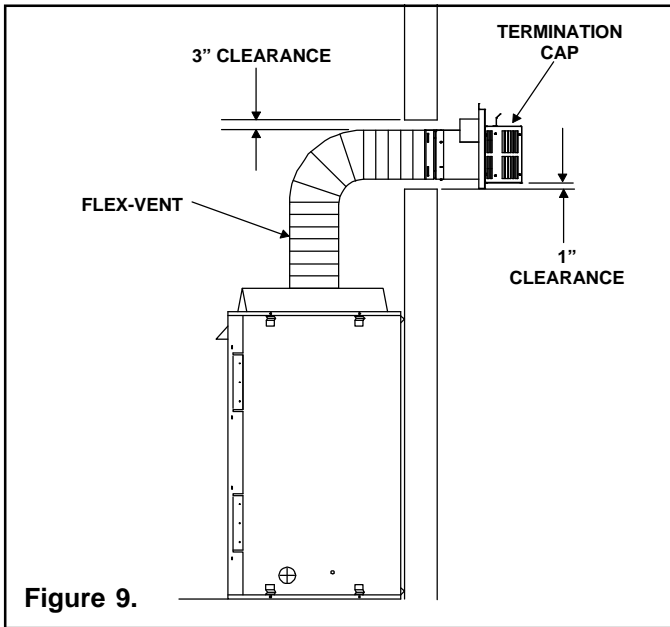


Figure 9.

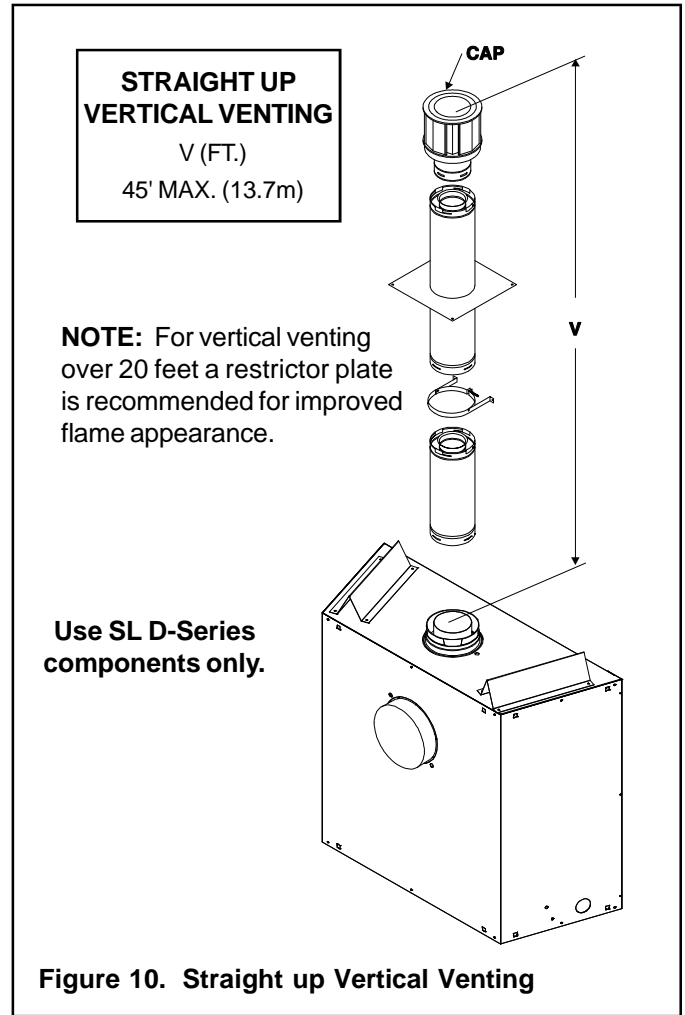


Figure 10. Straight up Vertical Venting

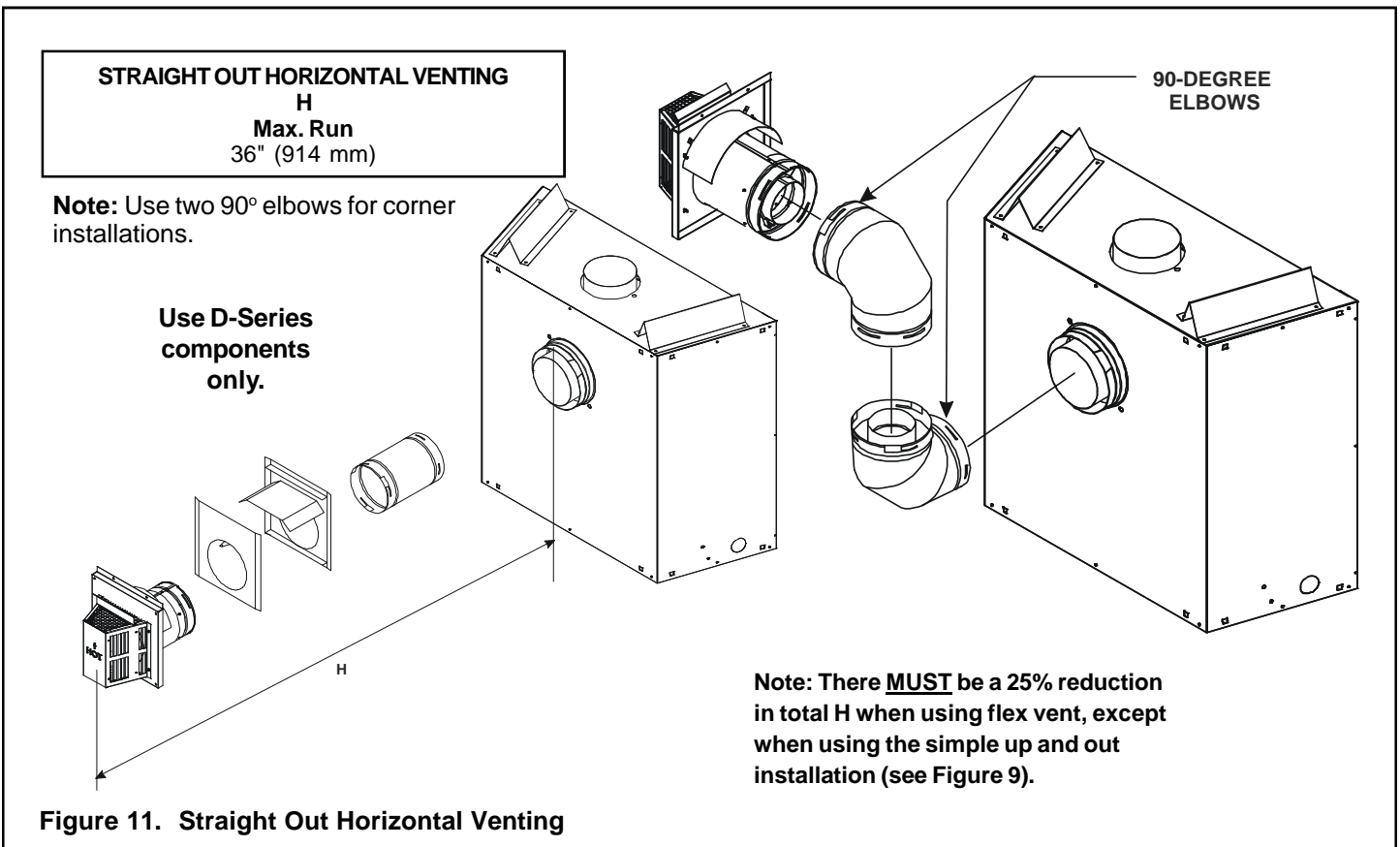


Figure 11. Straight Out Horizontal Venting

V	H
1' MIN. (305mm)	2' MAX. (610mm)
2' MIN. (610mm)	4' MAX. (1.22m)
3' MIN. (914mm)	6' MAX. (1.86m)
4' MIN. (1.22m)	8' MAX. (2.4m)
V+H=40' MAX. (12.4m)	
H = 8' MAX. (2.4m)	

Use D-Series components only.

Note: There MUST be a 25% reduction in total H when using flex vent, except when using the simple up and out installation (see Figure 9).

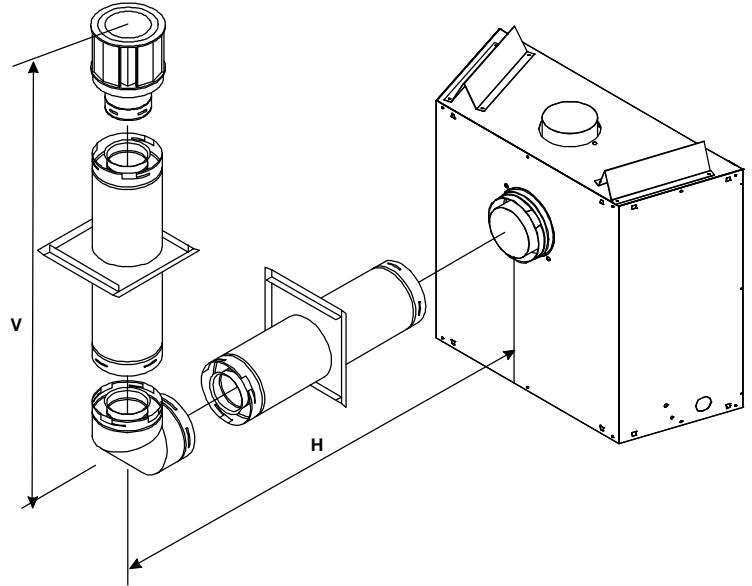
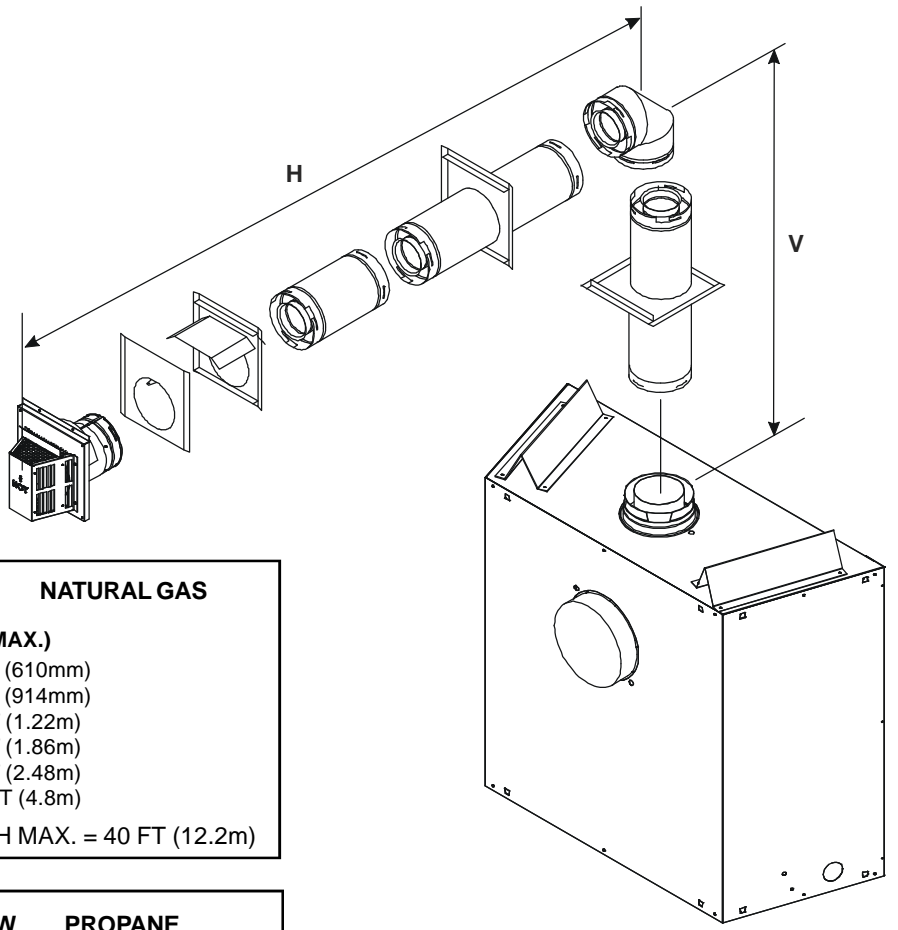


Figure 12. Venting with One 90° Elbow

Use SL D-Series components only.



VENTING WITH ONE (1) 90° ELBOW NATURAL GAS

V (MIN.)	H (MAX.)
90° Elbow on Top	2 FT (610mm)
1 FT (305mm)	3 FT (914mm)
2 FT (610mm)	4 FT (1.22m)
3 FT (914mm)	6 FT (1.86m)
4 FT (1.22m)	8 FT (2.48m)
5 FT (1.52m)	16 FT (4.8m)

H MAX. = 16 FT (4.8m) V + H MAX. = 40 FT (12.2m)

VENTING WITH ONE (1) 90° ELBOW PROPANE

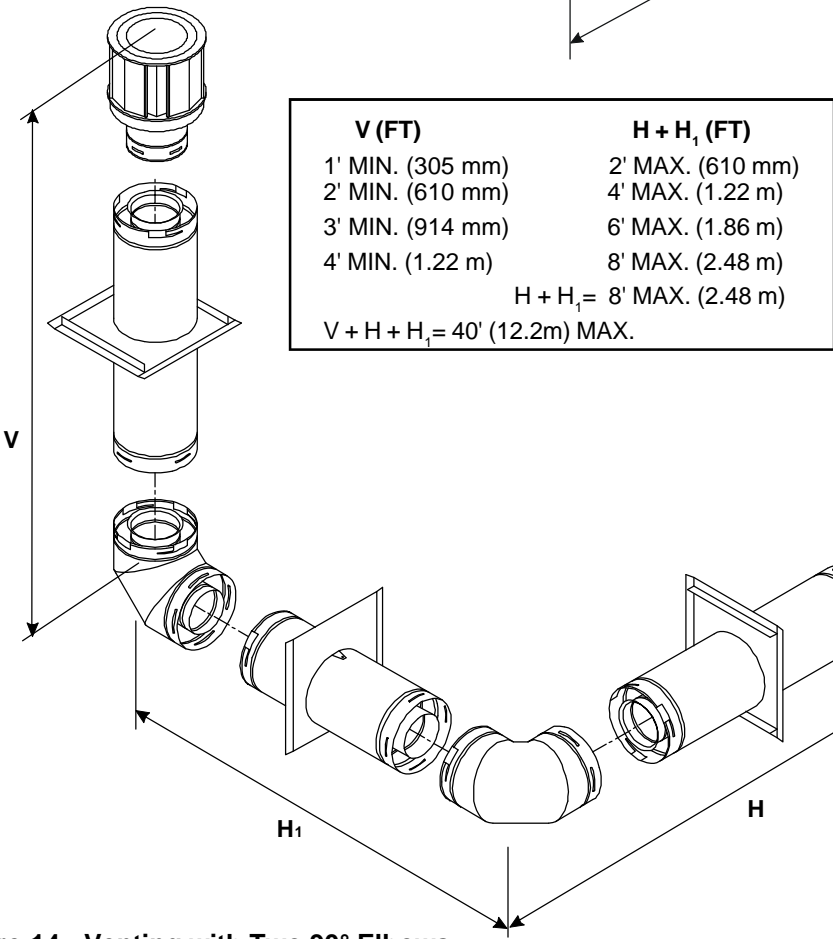
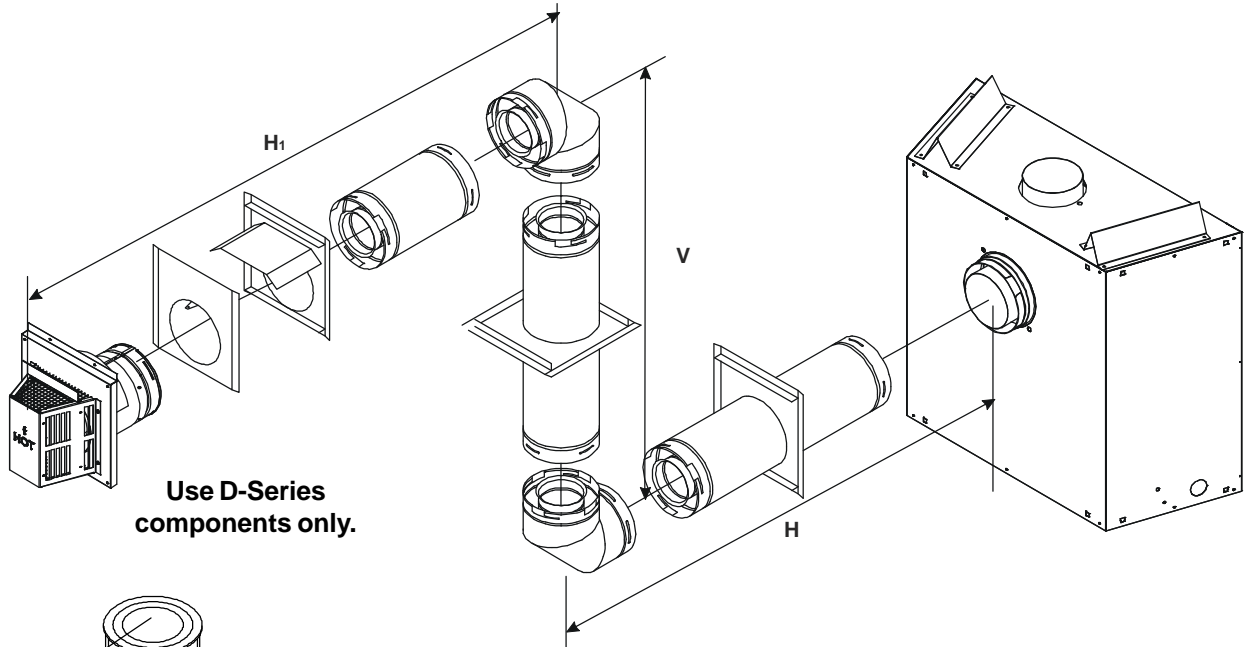
V (MIN.)	H (MAX.)
90° Elbow on Top	NOT ALLOWED
1 FT (305mm)	2 FT (610mm)
2 FT (610mm)	4 FT (1.22m)
3 FT (914mm)	6 FT (1.86m)
4 FT (1.22m)	8 FT (2.48m)
5 FT (1.52m)	16 FT (4.8m)

H MAX. = 16 FT (4.8m) V + H MAX. = 40 FT (12.2m)

Note: There MUST be a 25% reduction in total H when using flex vent, except when using the simple up and out installation (see Figure 9).

Figure 13. Venting with One 90° Elbow

V	H	H + H ₁
1' MIN. (305 mm)	2' MAX. (610 mm)	4' MAX. (1.22m)
2' MIN. (610 mm)	4' MAX. (1.22 m)	8' MAX. (2.4m)
3' MIN. (914 mm)	6' MAX. (1.86 m)	12' MAX. (3.6m)
4' MIN. (1.22 m)	8' MAX. (2.48 m)	16' MAX. (4.8m)
V+H+H ₁ = 40' MAX. (12.4 m)		H = 8' MAX. (2.48 m)
		H+H ₁ = 16' MAX. (4.8m)



V (FT)	H + H ₁ (FT)
1' MIN. (305 mm)	2' MAX. (610 mm)
2' MIN. (610 mm)	4' MAX. (1.22 m)
3' MIN. (914 mm)	6' MAX. (1.86 m)
4' MIN. (1.22 m)	8' MAX. (2.48 m)
H + H ₁ = 8' MAX. (2.48 m)	
V + H + H ₁ = 40' (12.2m) MAX.	

Note: There **MUST** be a 25% reduction in total H when using flex vent, except when using the simple up and out installation (see Figure 9).

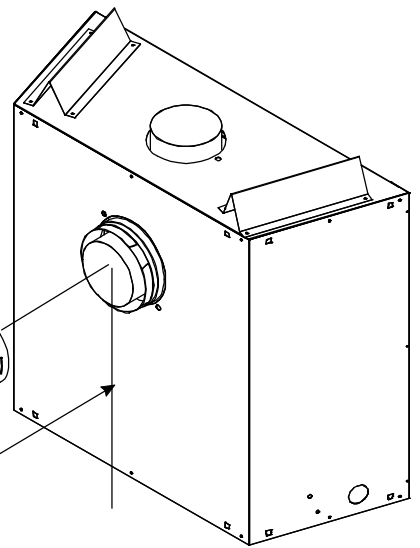


Figure 14. Venting with Two 90° Elbows

VENTING WITH TWO (2) 90° ELBOWS		NATURAL GAS
V (MIN.)		H + H_i (MAX.)
90° Elbow on Top		2 FT (610mm)
1 FT (305mm)		3 FT (914mm)
2 FT (610mm)		4 FT (1.22m)
3 FT (914mm)		6 FT (1.86m)
4 FT (1.22m)		8 FT (2.48m)
5 FT (1.52m)		16 FT (4.8m)
H + H _i MAX. = 16 FT (4.8m)		V + H + H _i MAX. = 40 FT (12.2m)

VENTING WITH TWO (2) 90° ELBOWS		PROPANE
V (MIN.)		H + H_i (MAX.)
90° Elbow on Top		NOT ALLOWED
1 FT (305mm)		2 FT (610mm)
2 FT (610mm)		4 FT (1.22m)
3 FT (914mm)		6 FT (1.86m)
4 FT (1.22m)		8 FT (2.48m)
5 FT (1.52m)		16 FT (4.8m)
H + H _i MAX. = 16 FT (4.8m)		V + H + H _i MAX. = 40 FT (12.2m)

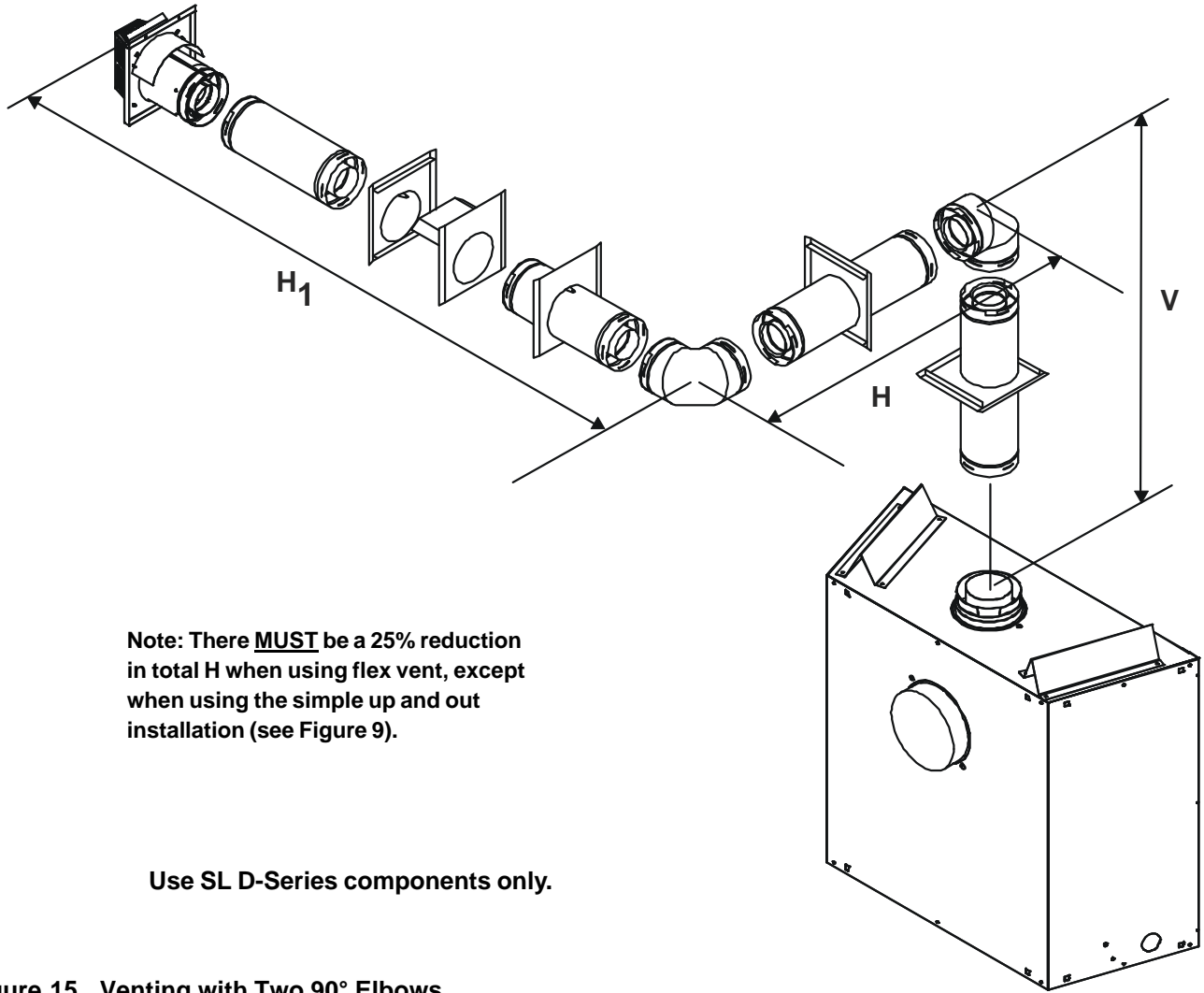


Figure 15. Venting with Two 90° Elbows

VENTING WITH TWO (2) 90° ELBOWS NATURAL GAS

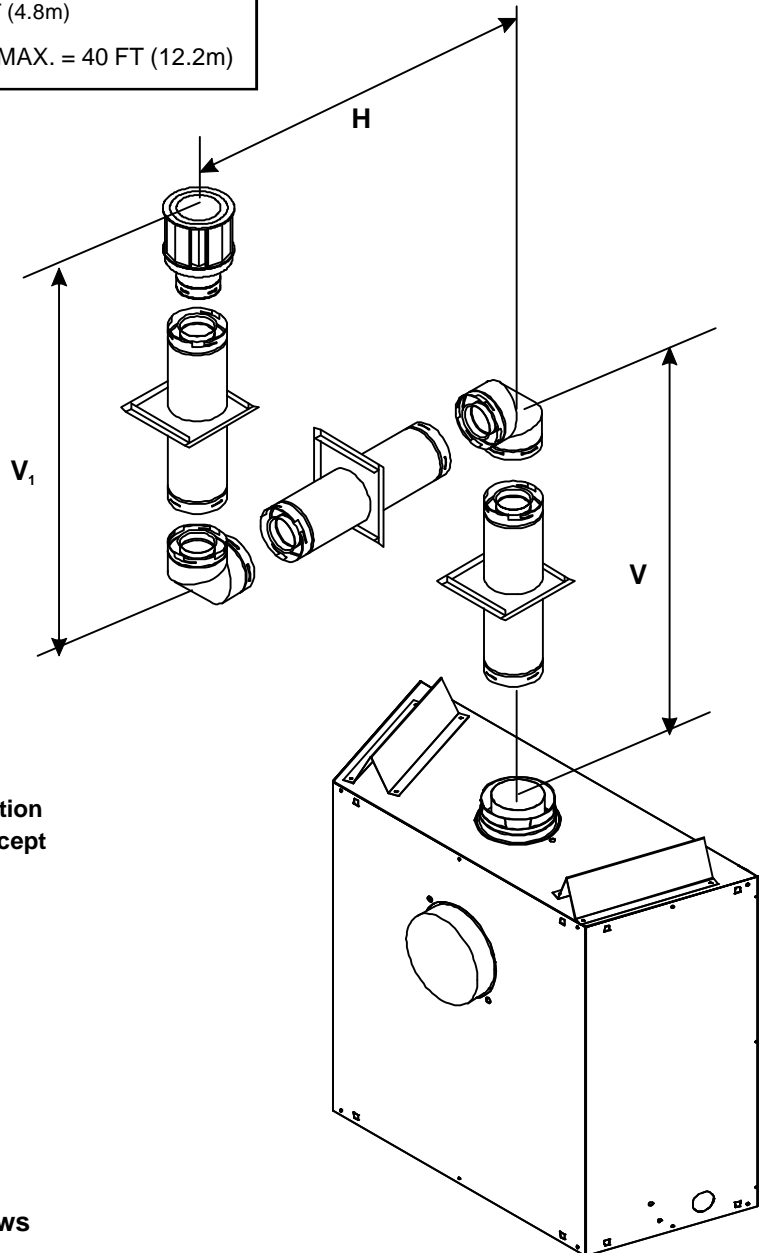
V (MIN.)	H (MAX.)
90° Elbow on Top	2 FT (610mm)
1 FT (305mm)	3 FT (914mm)
2 FT (610mm)	4 FT (1.22m)
3 FT (914mm)	6 FT (1.86m)
4 FT (1.22m)	8 FT (2.48m)
5 FT (1.52m)	16 FT (4.8m)

H MAX. = 16 FT (4.8m) V + V₁ + H MAX. = 40 FT (12.2m)

VENTING WITH TWO (2) 90° ELBOWS PROPANE

V (MIN.)	H (MAX.)
90° Elbow on Top	NOT ALLOWED
1 FT (305mm)	2 FT (610mm)
2 FT (610mm)	4 FT (1.22m)
3 FT (914mm)	6 FT (1.86m)
4 FT (1.22m)	8 FT (2.48m)
5 FT (1.52m)	16 FT (4.8m)

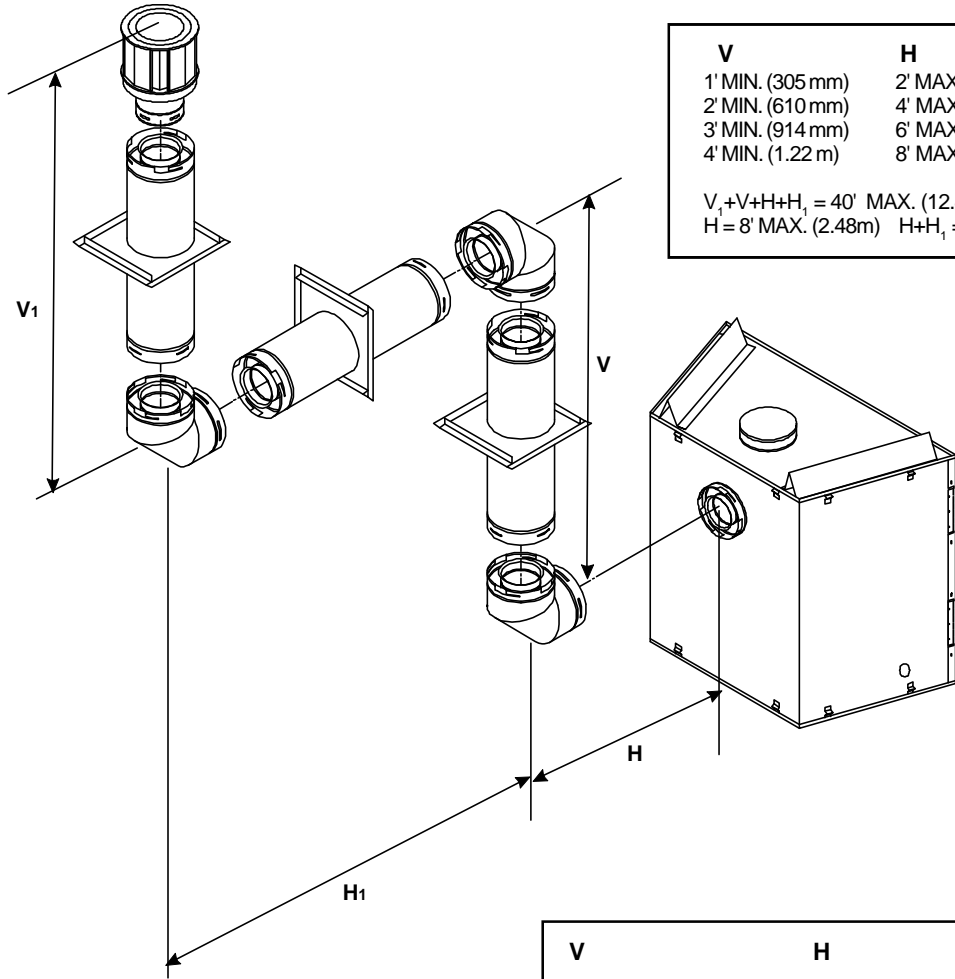
H MAX. = 16 FT (4.8m) V + V₁ + H MAX. = 40 FT (12.2m)



Note: There MUST be a 25% reduction in total H when using flex vent, except when using the simple up and out installation (see Figure 9).

Use SL D-Series components only.

Figure 16. Venting with Two 90° Elbows

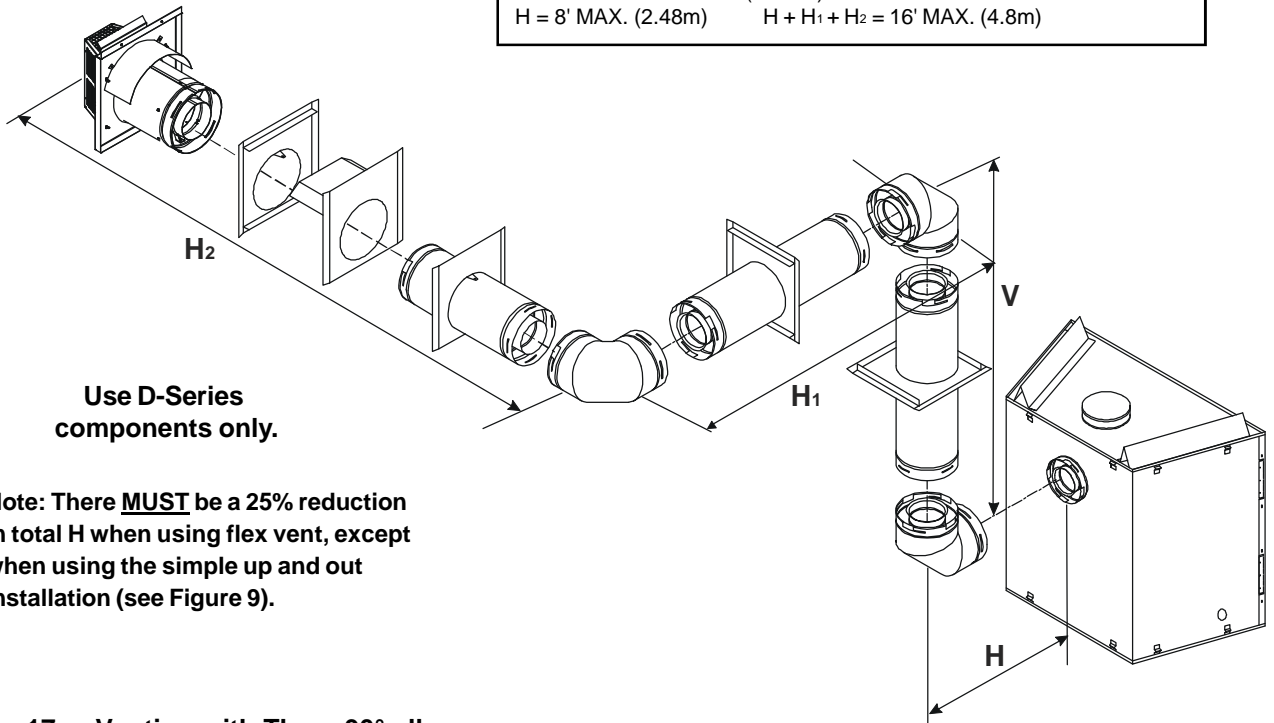


V	H	H + H ₁
1' MIN. (305 mm)	2' MAX. (610mm)	4' MAX. (1.22m)
2' MIN. (610 mm)	4' MAX. (1.22m)	8' MAX. (2.48m)
3' MIN. (914 mm)	6' MAX. (1.86m)	12' MAX. (3.72m)
4' MIN. (1.22 m)	8' MAX. (2.48m)	16' MAX. (4.8m)

$V_1 + V + H + H_1 = 40'$ MAX. (12.4m)
 $H = 8'$ MAX. (2.48m) $H + H_1 = 16'$ MAX. (4.8m)

V	H	H + H ₁ + H ₂
1' MIN. (305 mm)	2' MAX. (610 mm)	4' MAX. (1.22m)
2' MIN. (610 mm)	4' MAX. (1.22 m)	8' MAX. (2.48m)
3' MIN. (914 mm)	6' MAX. (1.86 m)	12' MAX. (3.72m)
4' MIN. (1.22 m)	8' MAX. (2.48 m)	16' MAX. (4.8m)

$V + H + H_1 + H_2 = 40'$ MAX. (12.4 m)
 $H = 8'$ MAX. (2.48m) $H + H_1 + H_2 = 16'$ MAX. (4.8m)



Use D-Series components only.

Note: There MUST be a 25% reduction in total H when using flex vent, except when using the simple up and out installation (see Figure 9).

Figure 17. Venting with Three 90° elbows

VENTING WITH THREE (3) 90° ELBOWS NATURAL GAS

NATURAL GAS

V (MIN.)	H (MAX.)	H + H ₁ (MAX.)
90° Elbow on Top	2 FT (610mm)	4 FT (1.22m)
1 FT (305mm)	3 FT (914mm)	6 FT (1.86m)
2 FT (610mm)	4 FT (1.22m)	8 FT (2.48m)
3 FT (914mm)	6 FT (1.86m)	12 FT (3.72m)
4 FT (1.22m)	8 FT (2.48m)	16 FT (4.8m)
5 FT (1.52m)	16 FT (4.8m)	16 FT (4.8m)

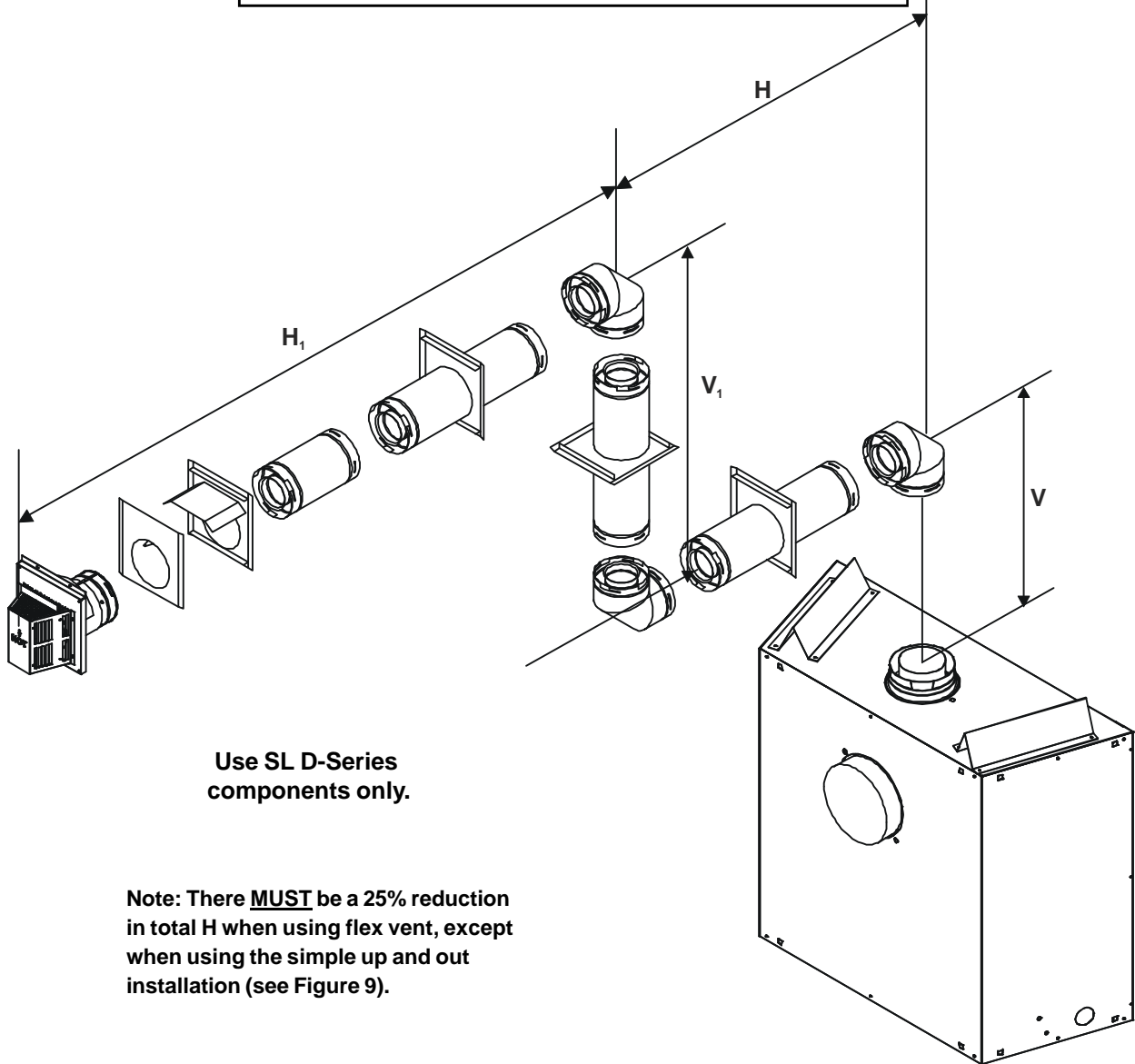
$V + H + V_1 + H_1 \text{ MAX.} = 40 \text{ FT (12.2m)}$

VENTING WITH THREE (3) 90° ELBOWS PROPANE

PROPANE

V (MIN.)	H (MAX.)	H + H ₁ (MAX.)
90° Elbow on Top	NOT ALLOWED	NOT ALLOWED
1 FT (305mm)	2 FT (610mm)	4 FT (1.22m)
2 FT (610mm)	4 FT (1.22m)	8 FT (2.48m)
3 FT (914mm)	6 FT (1.86m)	12 FT (3.72m)
4 FT (1.22m)	8 FT (2.48m)	16 FT (4.8m)
5 FT (1.52m)	16 FT (4.8m)	16 FT (4.8m)

$V + H + V_1 + H_1 \text{ MAX.} = 40 \text{ FT (12.2m)}$



Use SL D-Series components only.

Note: There MUST be a 25% reduction in total H when using flex vent, except when using the simple up and out installation (see Figure 9).

Figure 18. Venting with three 90° elbows

VENTING WITH THREE (3) 90° ELBOWS

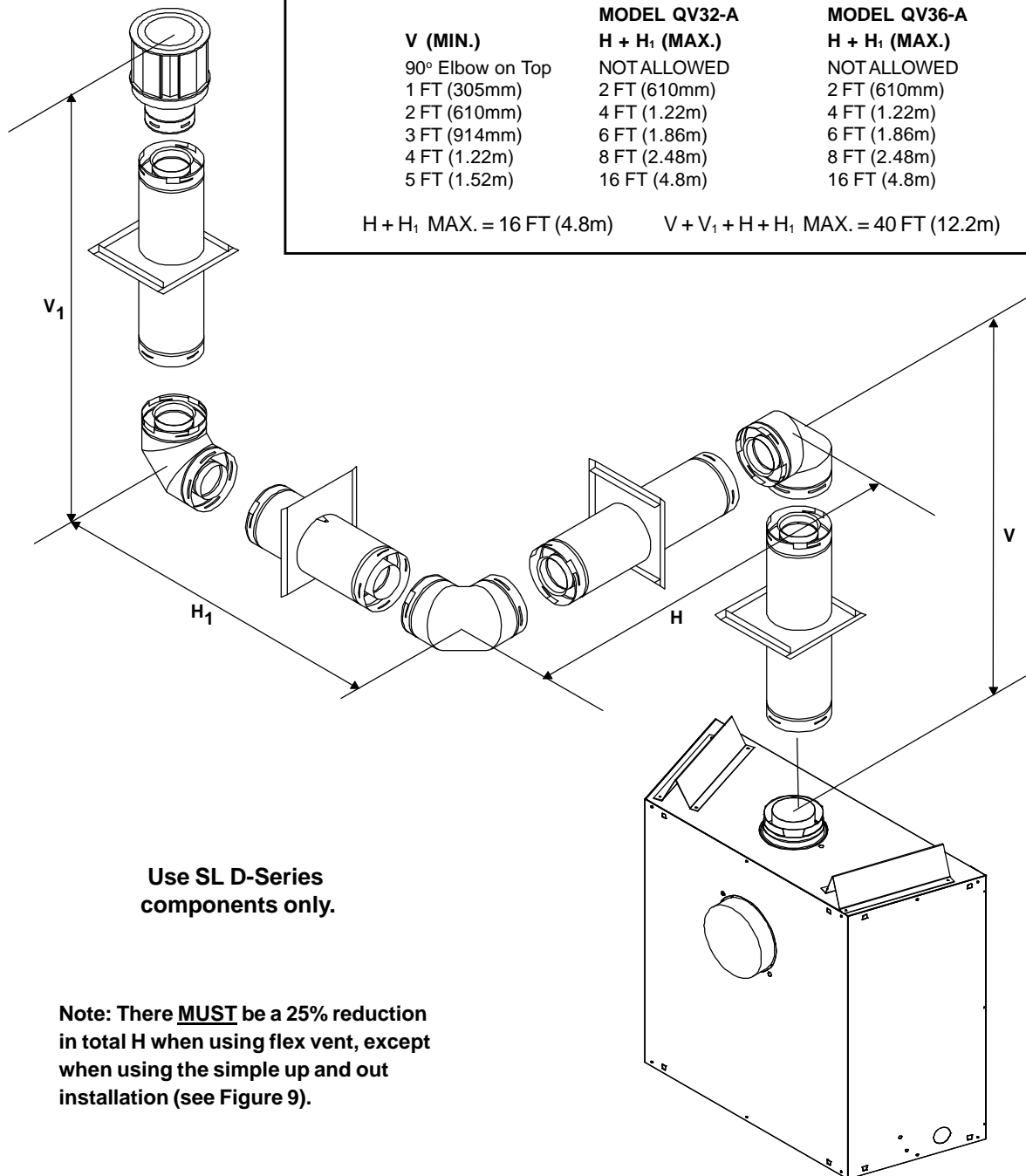
NATURAL GAS

V (MIN.)	MODEL QV32-A H + H ₁ (MAX.)	MODEL QV36-A H + H ₁ (MAX.)
90° Elbow on Top	2 FT (610mm)	2 FT (610mm)
1 FT (305mm)	3 FT (914mm)	3 FT (914mm)
2 FT (610mm)	4 FT (1.22m)	4 FT (1.22m)
3 FT (914mm)	6 FT (1.86m)	6 FT (1.86m)
4 FT (1.22m)	8 FT (2.48m)	8 FT (2.48m)
5 FT (1.52m)	16 FT (4.8m)	16 FT (4.8m)
H + H ₁ MAX. = 16 FT (4.8m)		V + V ₁ + H + H ₁ MAX. = 40 FT (12.2m)

VENTING WITH THREE (3) 90° ELBOWS

PROPANE

V (MIN.)	MODEL QV32-A H + H ₁ (MAX.)	MODEL QV36-A H + H ₁ (MAX.)
90° Elbow on Top	NOT ALLOWED	NOT ALLOWED
1 FT (305mm)	2 FT (610mm)	2 FT (610mm)
2 FT (610mm)	4 FT (1.22m)	4 FT (1.22m)
3 FT (914mm)	6 FT (1.86m)	6 FT (1.86m)
4 FT (1.22m)	8 FT (2.48m)	8 FT (2.48m)
5 FT (1.52m)	16 FT (4.8m)	16 FT (4.8m)
H + H ₁ MAX. = 16 FT (4.8m)		V + V ₁ + H + H ₁ MAX. = 40 FT (12.2m)



Use SL D-Series components only.

Note: There MUST be a 25% reduction in total H when using flex vent, except when using the simple up and out installation (see Figure 9).

Figure 19. Venting with three 90° elbows

VENTING WITH FOUR (4) 90° ELBOWS

NATURAL AND PROPANE GAS

V (MIN.) H (MAX.)
 2' (609mm) 5' (1.52m)

V₁ (MIN.) H₁ (MAX.) V₂ (MIN.)
 5' (1.52m) 5' (1.52m) 4.5' (1.37m)

V + V₁ + V₂ + H + H₁ MAX. = 40' (12.2m)

Note: There **MUST** be a 25% reduction in total H when using flex vent, except when using the simple up and out installation (see Figure 9).

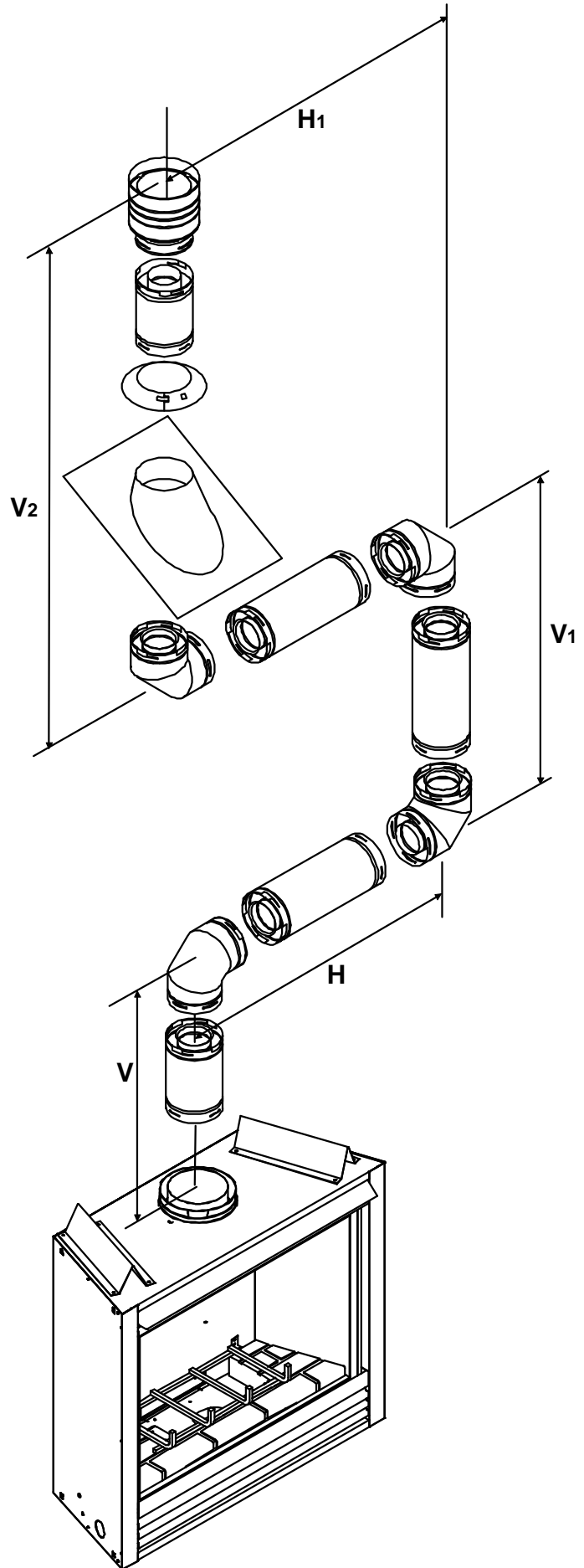


Figure 20. Venting with Four 90° elbows

B. Installing Vent Components

After determining which set of starting collars will be used (top or rear), follow venting instructions accordingly.

Venting Out the Rear Vent (See Figure 21)

Remove the installed rear seal cap from the rear starting collars by cutting the strap at each end. Remove the insulation inside the 5" collar. Follow the vent configuration tables accordingly.

Remove the 5" diameter heat shield from the 5" diameter collar by sliding it out.

WARNING: THE TOP HEAT SHIELD (INSIDE THE FIREBOX) MUST REMAIN ATTACHED IF THE VENT SYSTEM IS ATTACHED TO THE REAR STARTING COLLARS. SEE FIGURE 21.

Venting Out the Top Vent

Remove the top vent collar seal cap by removing the two screws from the upper heat shield. Remove the insulation inside **BOTH** the 4" diameter and 6 5/8" diameter collars. (See Figure 21).

Remove the 4" diameter heat shield from the 4" diameter collar by sliding it out.

You have to take the glass off for positioning the logs when the unit is finally installed in place and finished around it. Attach vent system to the top starting collars.

WARNING: THE REAR VENT COLLAR SEAL CAP MUST REMAIN ATTACHED TO THE REAR VENT COLLARS IF THE VENT SYSTEM IS ATTACHED TO THE TOP STARTING COLLARS. SEE FIGURE 21.

WARNING: FAILURE TO REMOVE INSULATION IN THE SET OF COLLARS YOU ARE USING COULD CAUSE A FIRE.

WARNING: YOU MUST LEAVE THE INSULATION IN PLACE IN THE SET OF COLLARS YOU ARE NOT USING.

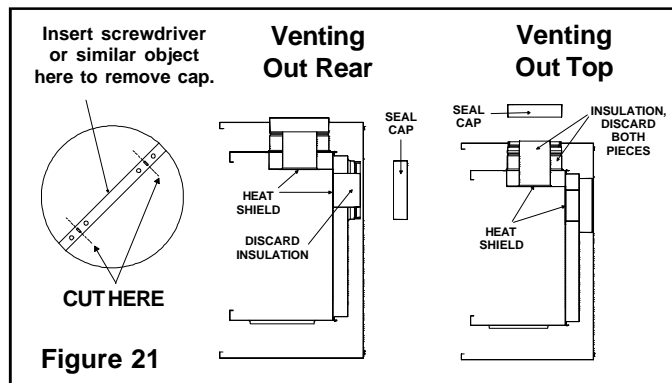


Figure 21

1. Attach the First Vent Component to the Starting Collars

To attach the first vent component to the starting collars of the fireplace:

- Apply a 3/8 inch (9.5mm) bead of stove cement around the fireplace inner vent starting collar.
- Lock the vent components into place by sliding the concentric pipe sections with four (4) equally spaced interior beads into the fireplace collar or previously installed component end with four (4) equally spaced indented sections.
- When the internal beads of each outer pipe line up, rotate the pipe section clockwise about one-quarter (1/4) turn. The vent pipe is now locked together.
- Slide the ceramic fiber pad over the first vent section and place it flush to the fireplace. Continue to add vent components.

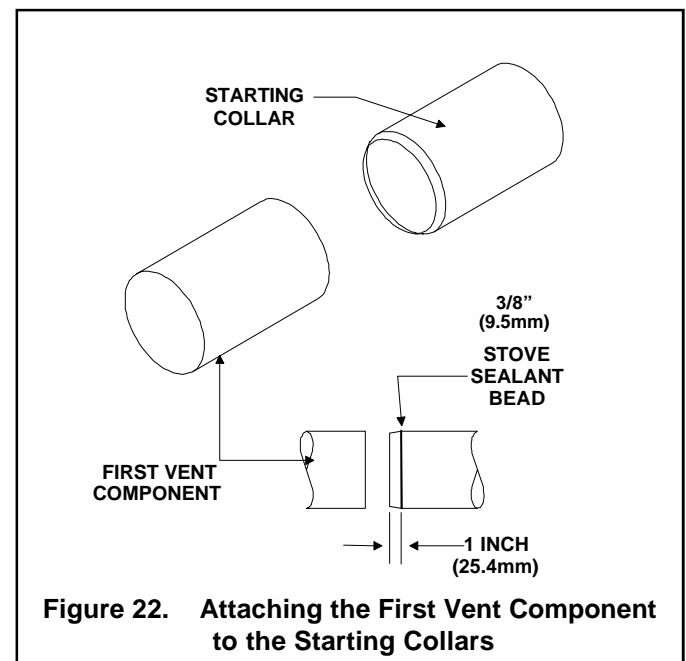


Figure 22. Attaching the First Vent Component to the Starting Collars

WARNING: A 3/8 INCH (9.5 MM) BEAD OF STOVE CEMENT MUST BE PLACED AROUND THE FIREPLACE INNER VENT STARTING COLLAR BEFORE ATTACHING THE FIRST VENT COMPONENT. FAILURE TO SEAL THIS JOINT MAY CAUSE THE FIREPLACE TO OPERATE IMPROPERLY. SEE THE DIAGRAM .

If the installation is for a termination cap attached directly to the fireplace, skip to the sections, **Install Firestops and Vent Termination.**

2. Continue Adding Vent Components

- Continue adding vent components, locking each succeeding component into place.
- Ensure that each succeeding vent component is securely fitted and locked into the preceding component.
- 90° elbows may be installed and rotated to any point around the preceding component's vertical axis. If an elbow does not end up in a locked position with the preceding component, attach with a minimum of two (2) sheet metal screws.

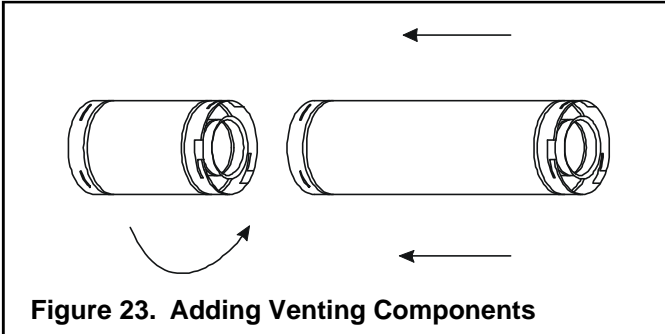


Figure 23. Adding Venting Components

3. Install Support Brackets

For Horizontal Runs - The vent system must be supported every five (5) feet of horizontal run by a horizontal pipe support.

To install support brackets for horizontal runs:

- Place the pipe supports around the vent pipe.
- Nail the pipe supports to the framing members.

For Vertical Runs - The vent system must be supported every eight (8) feet (2.4m) above the fireplace flue outlet by wall brackets. To install support brackets for vertical runs:

- Attach wall brackets to the vent pipe and secure the wall bracket to the framing members with nails or screws.

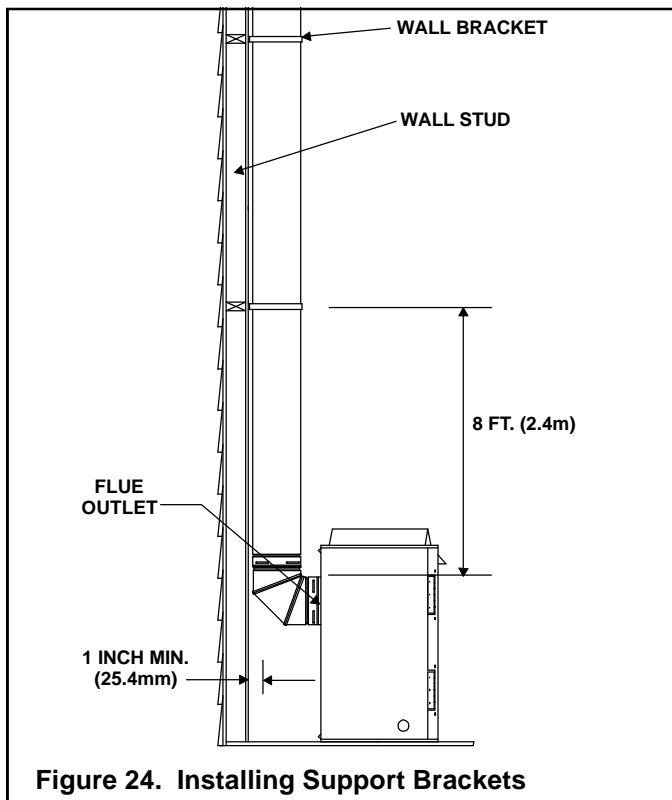


Figure 24. Installing Support Brackets

4. Install Firestops

For Horizontal Runs - Firestops are **REQUIRED** on both sides of a combustible wall through which the vent passes.

NOTE: Model DVK-01TRD or SLK-01TRD does not need an exterior firestop on an exterior combustible wall.

To install firestops for horizontal runs that pass through either interior or exterior walls:

Cut a 12-inch by 12-inch (305 mm X 305 mm) hole through the wall for D-series or a 10-inch by 10-inch (254 mm X 254 mm) hole for SL-D-series pipe. The center of the framing hole is one (1) inch (25.4mm) above the center of the horizontal vent pipe.

- Position the firestops on both sides of the hole previously cut and secure the firestops with nails or screws.
- The heat shields of the firestops **MUST BE** placed towards the top of the hole.
- Continue the vent run through the firestops.

NOTE: There must be NO INSULATION or other combustibles inside the framed firestop opening.

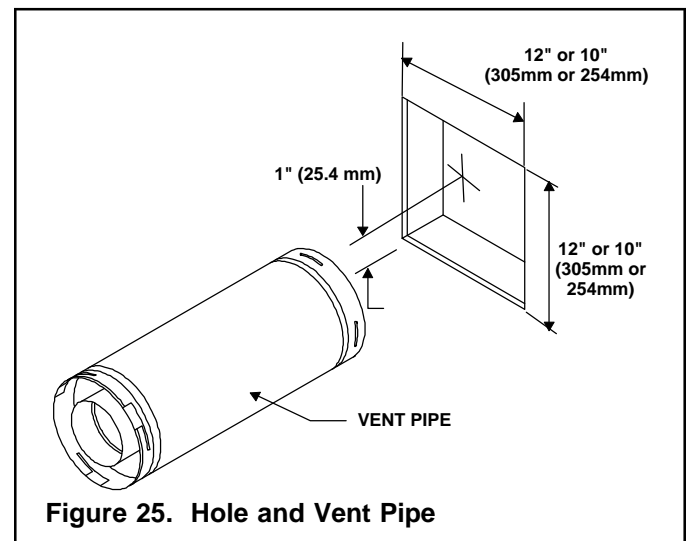


Figure 25. Hole and Vent Pipe

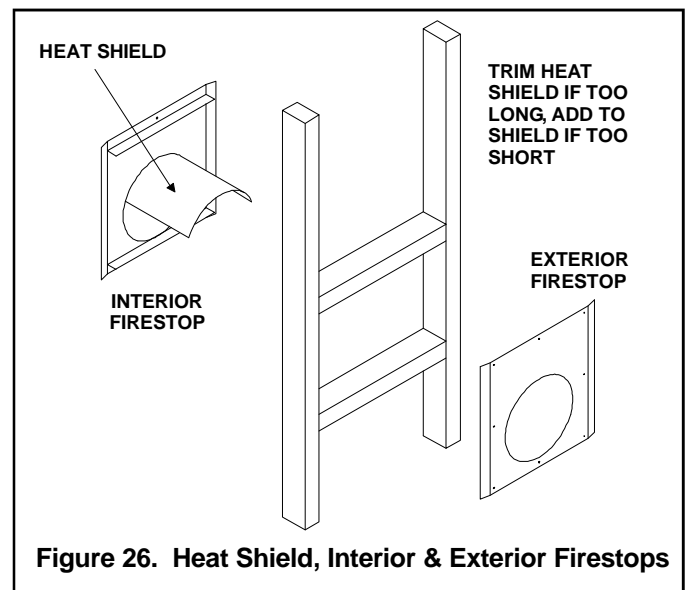


Figure 26. Heat Shield, Interior & Exterior Firestops

For Vertical Runs - One ceiling firestop is **REQUIRED** at the hole in each ceiling through which the vent passes.

To install firestops for vertical runs that pass through ceilings:

- Position a plumb bob directly over the center of the vertical vent component.
- Mark the ceiling to establish the centerpoint of the vent.
- Drill a hole or drive a nail through this centerpoint.
- Check the floor above for any obstructions, such as wiring or plumbing runs.
- Reposition the fireplace and vent system, if necessary, to accommodate the ceiling joists and/or obstructions.
- Cut an 11-inch X 11-inch (280mm X 280mm) for D-Series or a 10-inch X 10-inch (254mm X 254mm) hole through the ceiling, using the centerpoint previously marked.
- Frame the hole with framing lumber the same size as the ceiling joists.

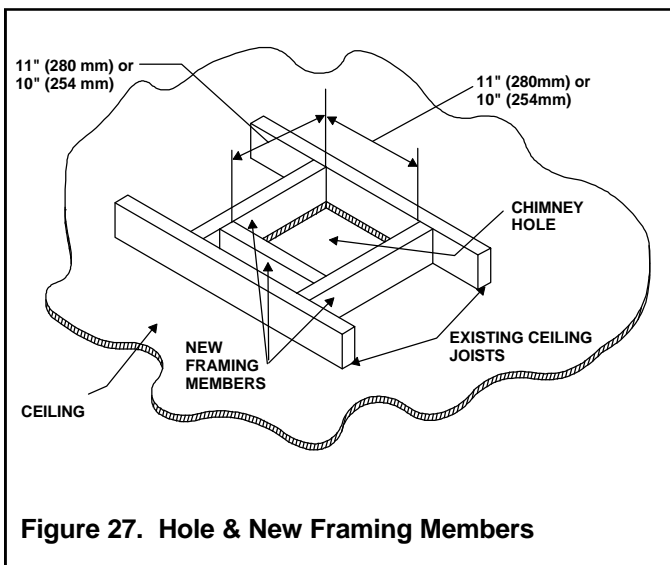


Figure 27. Hole & New Framing Members

If the area above the ceiling is **NOT** an attic, position and secure the ceiling firestop on the ceiling side of the previously cut and framed hole.

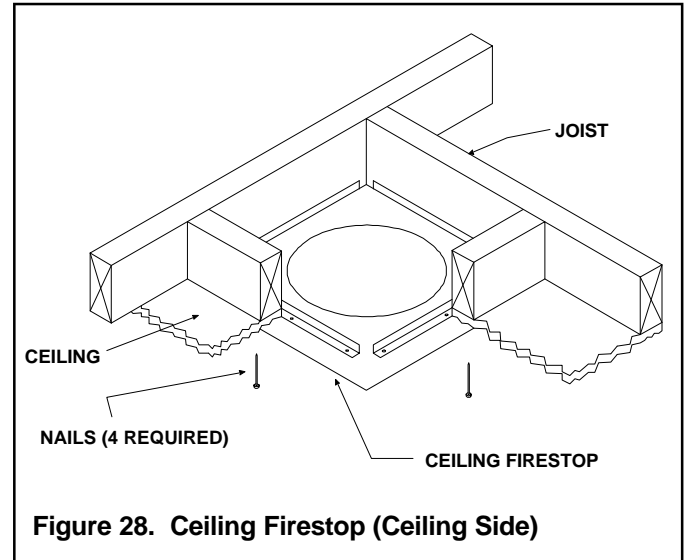


Figure 28. Ceiling Firestop (Ceiling Side)

If the area above the ceiling **IS** an attic, position and secure the firestop on top of the previously framed hole.

NOTE: Keep insulation away from the vent pipe at least 1 inch (25mm).

NOTE: There must be NO INSULATION or other combustibles inside the framed firestop opening.

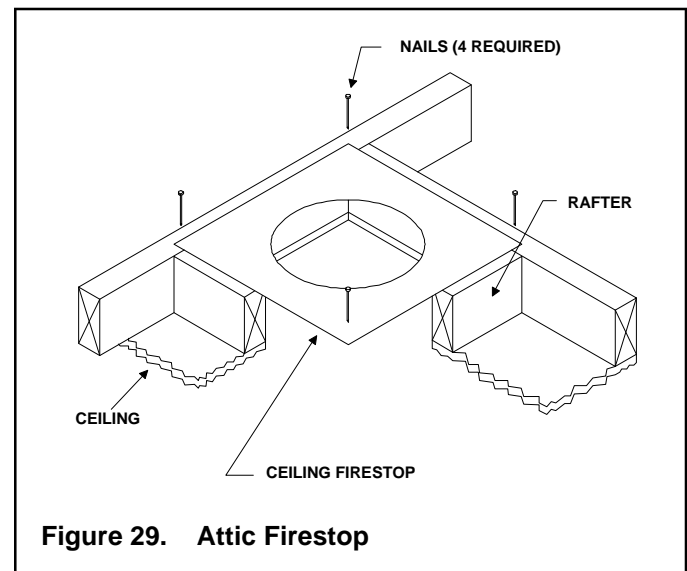


Figure 29. Attic Firestop

C. Vent Termination

For Horizontal Terminations - To attach and secure the termination to the last section of horizontal vent:

- Rotate and interlock the ends as described at the beginning of the Installing Vent Components section.
- The termination kit should pass through the wall firestops from the exterior of the building.
- Adjust the termination cap to its final exterior position on the building.



WARNING: THE TERMINATION CAP MUST BE POSITIONED SO THAT THE ARROW IS POINTING UP.

For roundcap termination kits:

- Use the exterior pipelock hole on the round flange of the wall firestop to secure the vent pipe in place.

For trapezoidal cap termination kits:

- Using screws secure the cap to the exterior wall through the flanges in the cap.



WARNING: THE BOTTOM OF THE VENT TERMINATION CAP MUST BE A MINIMUM OF 12 INCHES (305 MM) ABOVE GROUND LEVEL (GRADE). THE TOP OF THE CAP MUST BE A MINIMUM OF 18 INCHES (457 MM) BELOW COMBUSTIBLE MATERIAL, SUCH AS A DECK. THE SIDE OF THE CAP MUST BE A MINIMUM OF 6 INCHES (152 MM) AWAY FROM A PARALLEL OUTSIDE WALL. VENTING TERMINALS SHALL NOT BE RECESSED INTO A WALL OR SIDING. SEE THE DIAGRAM FOR VENT TERMINATION CLEARANCES.

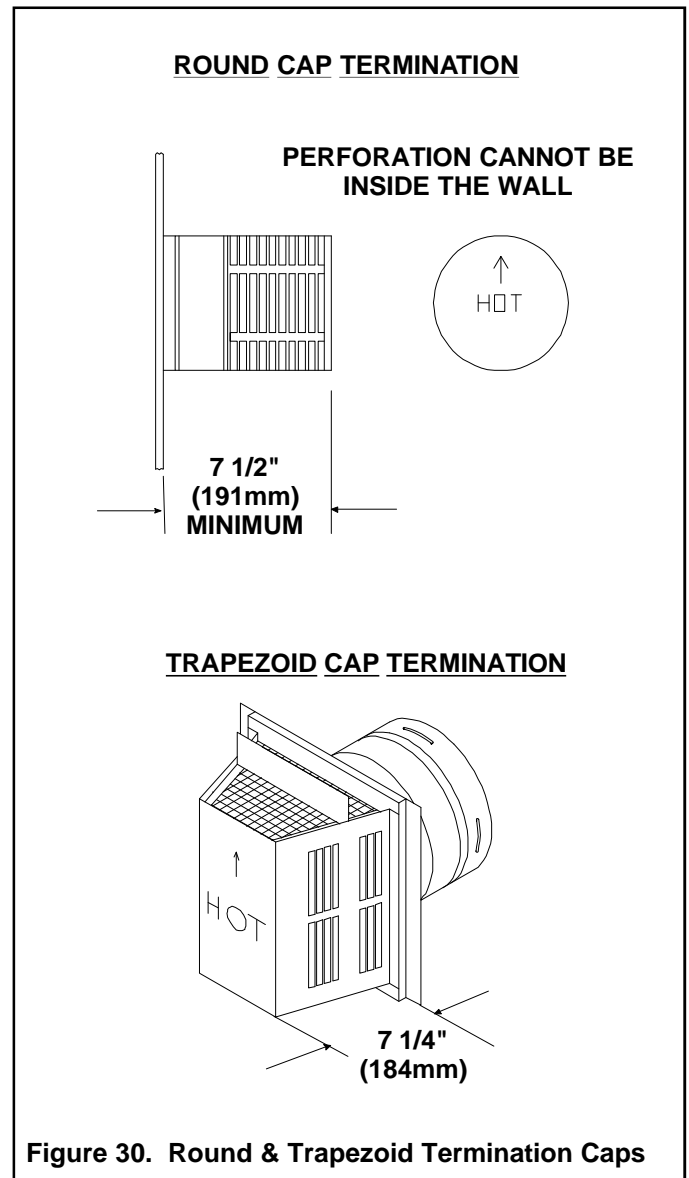
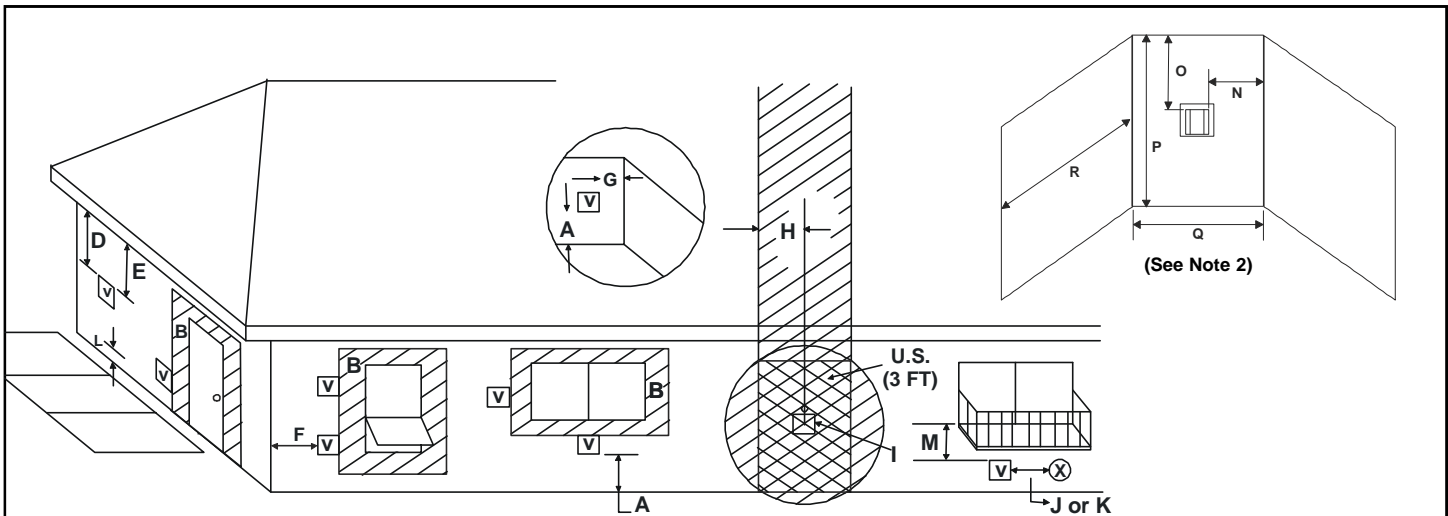


Figure 30. Round & Trapezoid Termination Caps



V = VENT TERMINAL **(X)** = AIR SUPPLY INLET **[Hatched]** = AREA WHERE TERMINAL IS NOT PERMITTED

- | | |
|---|---|
| <p>A = 12" clearances above grade, veranda, porch, deck or balcony
(See Note 1)</p> <p>B = 12" clearances to window or door that may be opened, or to permanently closed window.</p> <p>D* = 18" vertical clearance to ventilated soffit located above the terminal within a horizontal distance of 2 feet (60 cm) from the center-line of the terminal</p> <p>E* = 18" clearance to unventilated soffit</p> <p>F = 9" clearance to outside corner</p> <p>G = 6" clearance to inside corner</p> <p>H = 3 ft. (Canada) not to be installed above a gas meter/regulator assembly within 3 feet (90cm) horizontally from the center-line of the regulator</p> <p>I = 3 ft. (U.S.A.)
6 ft. (Canada) clearance to service regulator vent outlet and electric service</p> | <p>J = 9" (U.S.A.)
12" (Canada) clearance to non-mechanical air supply inlet to building or the combustion air inlet to any other appliance</p> <p>K = 3 ft. (U.S.A.)
6 ft. (Canada) clearance to a mechanical air supply inlet</p> <p>L** = 7 ft. clearance above paved sidewalk or a paved driveway located on public property
(See Note 1)</p> <p>M*** = 18" clearance under veranda, porch, deck or balcony</p> <p>N = 6" non-vinyl sidewalls
12" vinyl sidewalls</p> <p>O = 18" non-vinyl soffit and overhang
42" vinyl soffit and overhang</p> <p>P = 8 ft.</p> |
|---|---|

	Q _{MIN}	R _{MAX}
1 cap	3 feet	2 x Q _{ACTUAL}
2 caps	6 feet	1 x Q _{ACTUAL}
3 caps	9 feet	2/3 x Q _{ACTUAL}
4 caps	12 feet	1/2 x Q _{ACTUAL}
Q _{MIN} = # termination caps x 3		R _{MAX} = (2 / # termination caps) x Q _{ACTUAL}

* **30" minimum for vinyl clad soffits.**

** a vent shall not terminate directly above a sidewalk or paved driveway which is located between two single family dwellings and serves both dwellings.

*** only permitted if veranda, porch, deck or balcony is fully open on a minimum of 2 sides beneath the floor.

NOTE 1: On private property where termination is less than 7 feet above a sidewalk, driveway, deck, porch, veranda or balcony, use of a listed cap shield is suggested.

NOTE 2: Termination in an alcove space (spaces open only on one side and with an overhang) are permitted with the dimensions specified for vinyl or non-vinyl siding and soffits. **1.** There must be 3 feet minimum between termination caps. **2.** All mechanical air intakes within 10 feet of a termination cap must be a minimum of 3 feet below the termination cap. **3.** All gravity air intakes within 3 feet of a termination cap must be a minimum of 1 foot below the termination cap.

NOTE 3: Local codes or regulations may require different clearances.

NOTE 4: Termination caps may be hot. Consider their proximity to doors or other traffic areas.

WARNING: In the U.S: Vent system termination is **NOT** permitted in screened porches. You must follow side wall, overhang and ground clearances as stated in the instructions.

In Canada: Vent system termination is **NOT** permitted in screened porches. Vent system termination is permitted in porch areas with two or more sides open. You must follow all side walls, overhang and ground clearances as stated in the instructions.

Aladdin Hearth Products assumes no responsibility for the improper performance of the fireplace when the venting system does not meet these requirements.

Figure 31. Vent Termination Minimum Clearances

CAUTION: IF EXTERIOR WALLS ARE FINISHED WITH VINYL SIDING, IT IS NECESSARY TO INSTALL THE VINYL PROTECTOR KIT TO THE TOP OF THE EXTERIOR FIRESTOP (FOR ALL ROUND TERMINATION CAPS). IT IS STRONGLY RECOMMENDED WHENEVER POSSIBLE TO USE THE VINYL PROTECTOR KIT.

For Vertical Terminations - To locate the vent and install the vent sections:

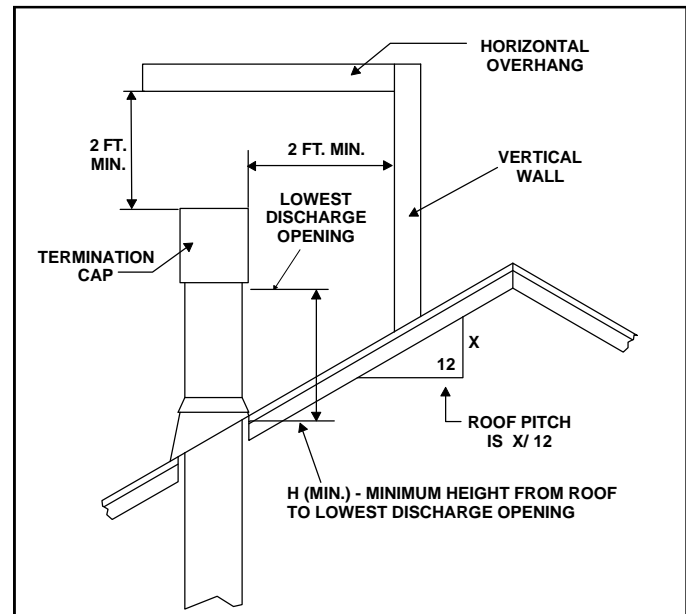
- Locate and mark the vent centerpoint on the underside of the roof, and drive a nail through the centerpoint.
- Make the outline of the roof hole around the centerpoint nail.
- The size of the roof hole framing dimensions depend on the pitch of the roof. There **MUST BE** a 1-inch (25.4mm) clearance from the vertical vent pipe to combustible materials.
- Mark the roof hole accordingly.
- Cover the opening of the installed vent pipes.
- Cut and frame the roof hole.
- Use framing lumber the same size as the roof rafters and install the frame securely. Flashing anchored to the frame must withstand heavy winds.
- Continue to install concentric vent sections up through the roof hole and up past the roof line until you reach the appropriate distance above the roof.

To seal the roof hole, and to divert rain and snow from the vent system:

- Attach a flashing to the roof using nails, and use a non-hardening mastic around the edges of the flashing base where it meets the roof.
- Attach a storm collar over the flashing joint to form a water-tight seal. Place non-hardening mastic around the joint, between the storm collar and the vertical pipe.
- Slide the termination cap over the end of the vent pipe and rotate the pipe clockwise 1/4 turn.

WARNING: MAJOR U.S. BUILDING CODES SPECIFY MINIMUM CHIMNEY AND/OR VENT HEIGHT ABOVE THE ROOF TOP. THESE MINIMUM HEIGHTS ARE NECESSARY IN THE INTEREST OF SAFETY. SEE THE FOLLOWING DIAGRAM FOR MINIMUM HEIGHTS, PROVIDED THE TERMINATION CAP IS AT LEAST TWO (2) FEET FROM A VERTICAL WALL AND 2- FEET BELOW A HORIZONTAL OVERHANG.

NOTE: This also pertains to vertical vent systems installed on the outside of the building.

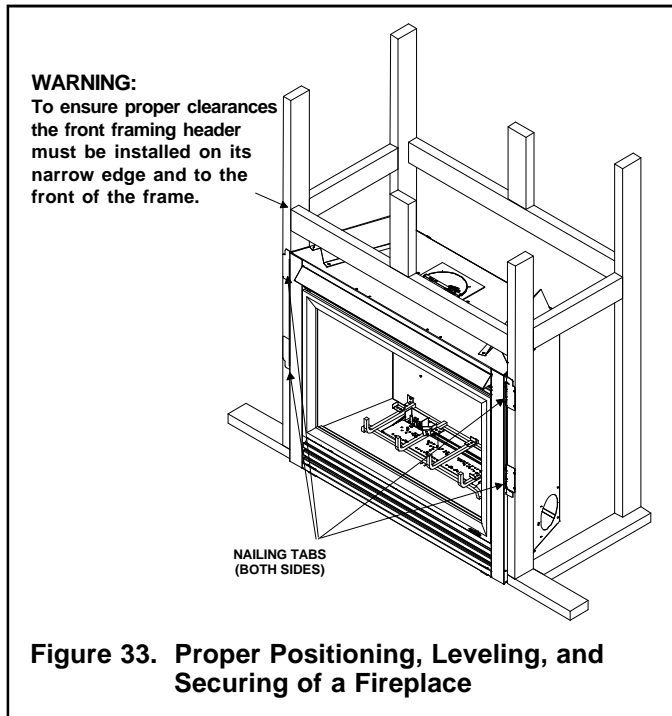


Roof Pitch	H (min.) ft.
flat to 6/12	1.0
6/12 to 7/12	1.25
over 7/12 to 8/12	1.5
over 8/12 to 9/12	2.0
over 9/12 to 10/12	2.5
over 10/12 to 11/12	3.25
over 11/12 to 12/12	4.0
over 12/12 to 14/12	5.0
over 14/12 to 16/12	6.0
over 16/12 to 18/12	7.0
over 18/12 to 20/12	7.5
over 20/12 to 21/12	8.0

Figure 32. Minimum Height from Roof to Lowest Discharge Opening

Step 4. Positioning, Leveling, and Securing the Fireplace

The diagram below shows how to properly position, level, and secure the fireplace.



- Place the fireplace into position.
- Level the fireplace from side to side and from front to back.
- Shim the fireplace with non-combustible material, such as sheet metal, as necessary.
- Secure the fireplace to the framing using nails or screws through the nailing tabs.

Step 5. The Gas Control System



WARNING: THIS UNIT IS NOT FOR USE WITH SOLID FUEL.

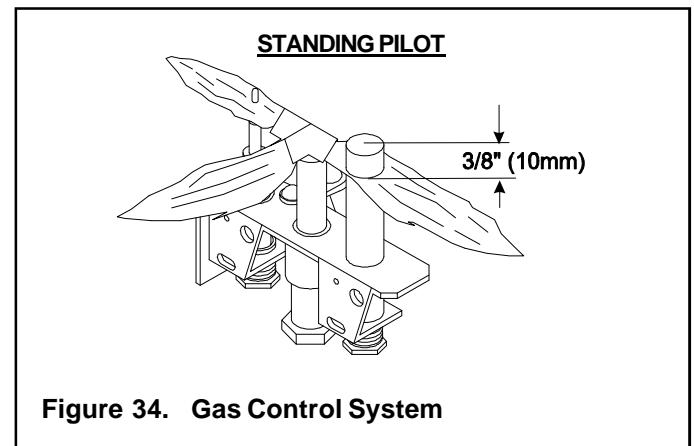
The type of gas control system used with this model is Standing Pilot Ignition.

Standing Pilot Ignition System

This system includes millivolt control valve, standing pilot, thermopile/thermocouple flame sensor, and piezo ignitor.



WARNING: 110-120 VAC MUST NEVER BE CONNECTED TO A CONTROL VALVE IN A MILLIVOLT SYSTEM.



Step 6. The Gas Supply Line

NOTE: Have the gas supply line installed in accordance with local building codes by a qualified installer approved and/or licensed as required by the locality. (In the state of Massachusetts installation must be performed by a licensed plumber).

NOTE: Before the first firing of the fireplace, the gas supply line should be purged of any trapped air.

NOTE: Consult local building codes to properly size the gas supply line leading to the 1/2 inch (13mm) hook-up at the unit.

This gas fireplace is designed to accept a 1/2 inch (13mm) gas supply line. To install the gas supply line:

- A listed (and State of Massachusetts approved) 1/2 inch (13mm) tee-handle manual shut-off valve and a listed flexible gas connector are connected to the 1/2 inch (13mm) inlet of the control valve. **NOTE:** If substituting for these components, please consult local codes for compliance.
- Locate the gas line access hole in the outer casing of the fireplace.
- The gas line may be run from either side of the fireplace provided the hole in the outer wrap does not exceed 2" in diameter and it does not penetrate the actual firebox.
- Open the fireplace lower grille, insert the gas supply line through the gas line hole, and connect it to the shut-off valve.
- When attaching the pipe, support the control so that the lines are not bent or torn.
- After the gas line installation is complete, use a soap solution to carefully check all gas connections for leaks.



WARNING: DO NOT USE AN OPEN FLAME TO CHECK FOR GAS LEAKS.

- Insert insulation from the outside of the fireplace and pack the insulation tightly to totally seal between the pipe and the outer casing.
- At the gas line access hole the gap between the supply piping and gas access hole can be plugged with non-combustible insulation to prevent cold air infiltration.

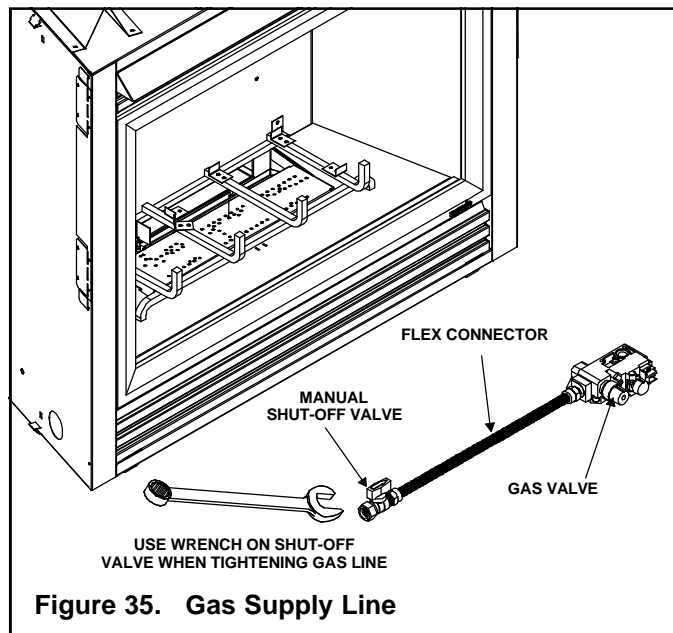


Figure 35. Gas Supply Line

Step 7. Gas Pressure Requirements

Pressure requirements for these gas fireplaces are shown in the table below.

Pressure	Natural Gas	Propane
Minimum Inlet Pressure	5.0 inches w.c.	11.0 inches w.c.
Maximum Inlet Gas Pressure	14.0 inches w.c.	14.0 inches w.c.
Manifold Pressure	3.5 inches w.c.	10.0 inches w.c.

A one-eighth (1/8) inch (3 mm) N.P.T. plugged tapping is provided on the inlet and outlet side of the gas control for a test gauge connection to measure the manifold pressure. Use a small flat blade screwdriver to crack open the screw in the center of the tap. Position a rubber hose over the tap to obtain the pressure reading.

The fireplace and its individual shut-off valve must be disconnected from the gas supply piping system during any pressure testing of the system at test pressures in excess of one-half (1/2) psig (3.5 kPa).

The fireplace must be isolated from the gas supply piping system by closing its individual shut-off valve during any pressure testing of the gas supply piping system at test pressures equal to or less than one-half (1/2) psig (3.5 kPa).

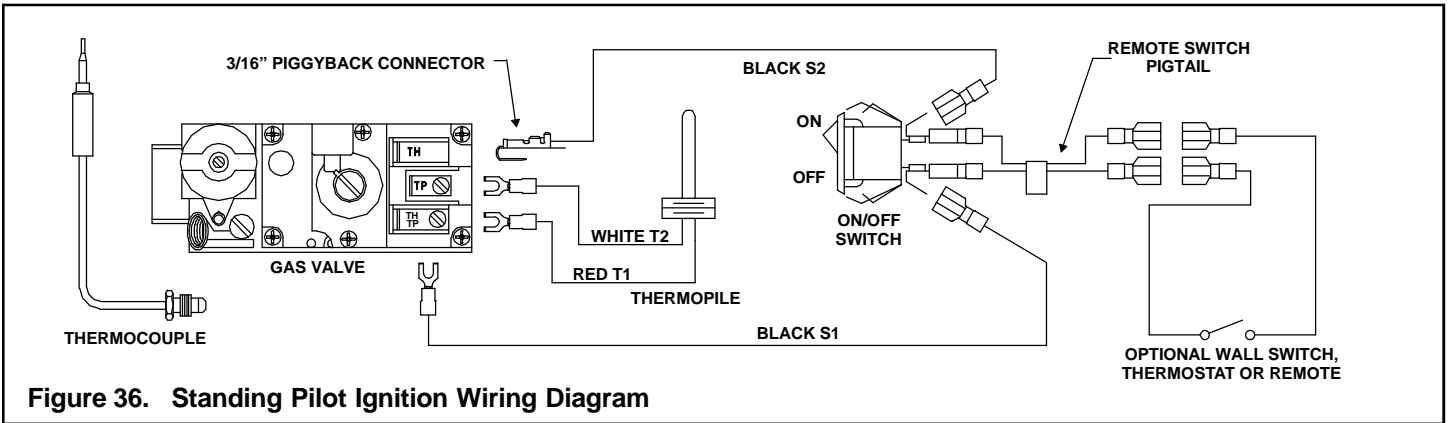


Figure 36. Standing Pilot Ignition Wiring Diagram

Step 8. Wiring the Fireplace

NOTE: Electrical wiring must be installed by a licensed electrician.

CAUTION: DISCONNECT REMOTE CONTROLS IF ABSENT FOR EXTENDED TIME PERIODS. THIS WILL PREVENT ACCIDENTAL FIREPLACE OPERATION.

For Standing Pilot Ignition Wiring

Appliance Requirements

- This appliance **DOES NOT** require 110-120 VAC to operate.

WARNING: DO NOT CONNECT 110-120 VAC TO THE GAS CONTROL VALVE OR WALL SWITCH OR THE APPLIANCE WILL MALFUNCTION AND THE VALVE WILL BE DESTROYED.

Optional Accessories

Optional fan and remote control kits require that 110-120 VAC be wired to the factory installed junction box before the fireplace is permanently installed.

Wall Switch

Position the wall switch in the desired position on a wall. Run a maximum of 25 feet (7.8 m) or less length of 18 A.W.G. minimum wire and connect it to the fireplace ON/OFF switch pigtails.

CAUTION: LABEL ALL WIRES PRIOR TO DISCONNECTION WHEN SERVICING CONTROLS. WIRING ERRORS CAN CAUSE IMPROPER AND DANGEROUS OPERATION. VERIFY PROPER OPERATION AFTER SERVICING.

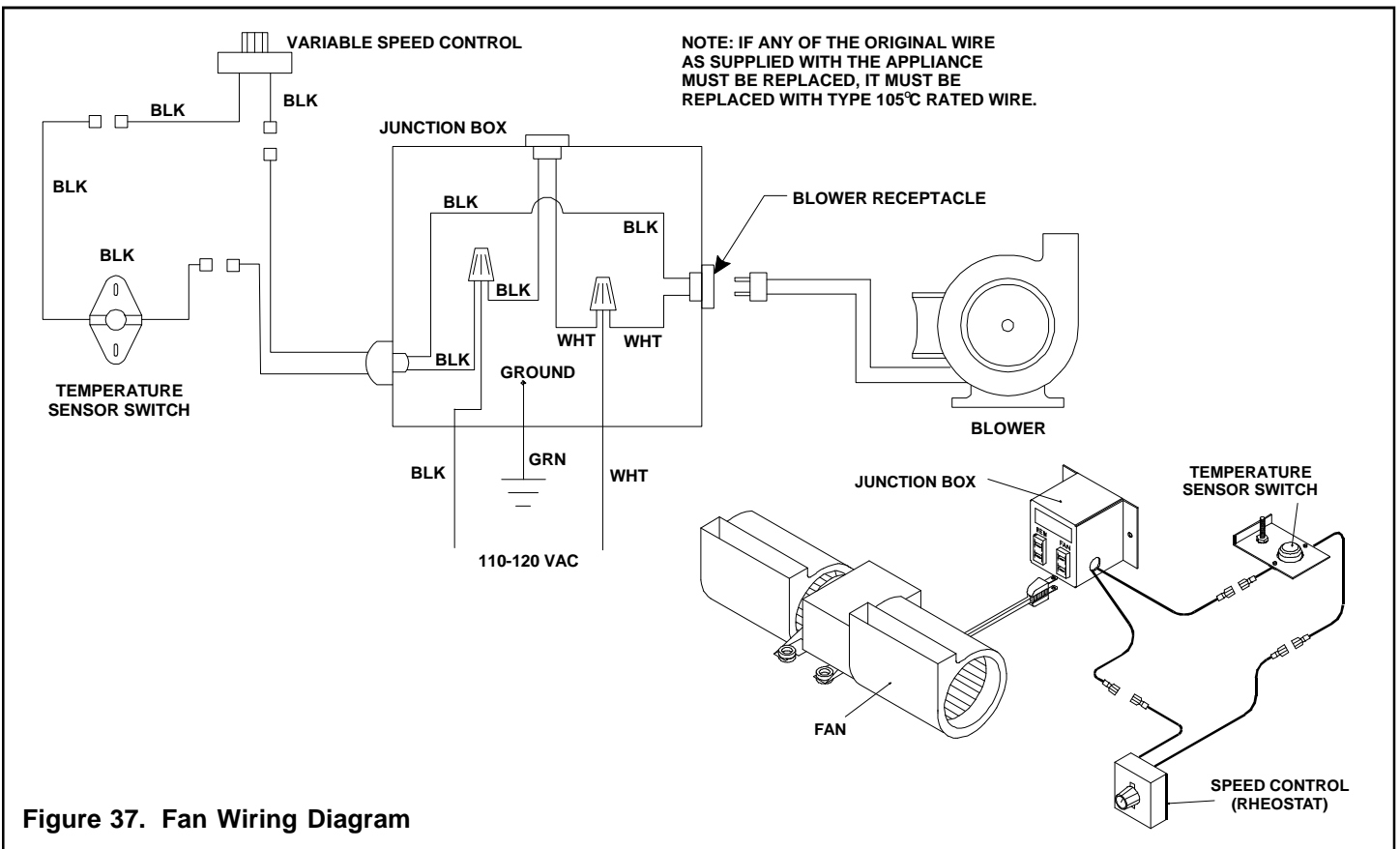


Figure 37. Fan Wiring Diagram

Step 9. Finishing

Figure 38 shows the minimum vertical and corresponding maximum horizontal dimensions of fireplace mantels or other combustible projections above the top front edge of the fireplace. See Figures 3 and 4 for other fireplace clearances.

Only non-combustible materials may be used to cover the black fireplace front.



WARNING: WHEN FINISHING THE FIREPLACE, NEVER OBSTRUCT OR MODIFY THE AIR INLET/OUTLET GRILLES IN ANY MANNER.

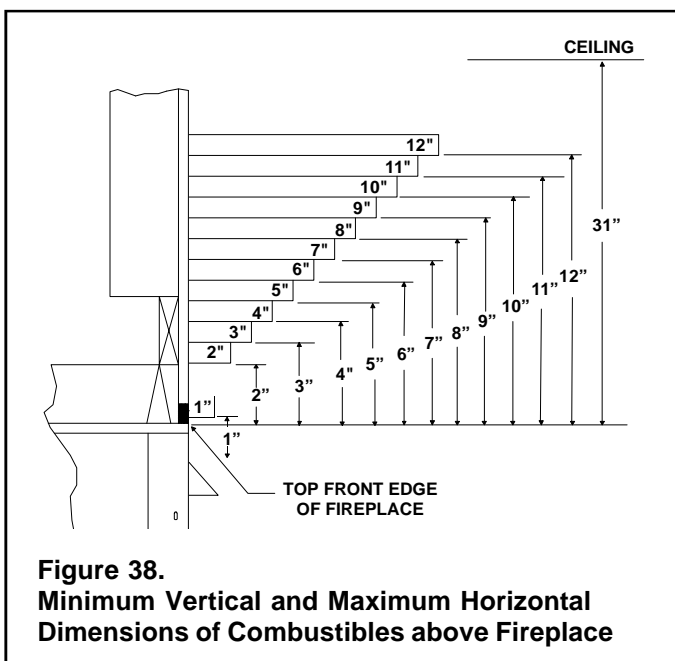


Figure 38.
Minimum Vertical and Maximum Horizontal Dimensions of Combustibles above Fireplace

CAUTION: IF JOINTS BETWEEN THE FINISHED WALLS AND THE FIREPLACE SURROUND (TOP AND SIDES) ARE SEALED, A 300° F. MINIMUM SEALANT MATERIAL MUST BE USED. THESE JOINTS ARE NOT REQUIRED TO BE SEALED. ONLY NON-COMBUSTIBLE MATERIAL (USING 300° F. MINIMUM ADHESIVE, IF NEEDED) CAN BE APPLIED AS FACING TO THE FIREPLACE SURROUND (SEE FIGURE 39).

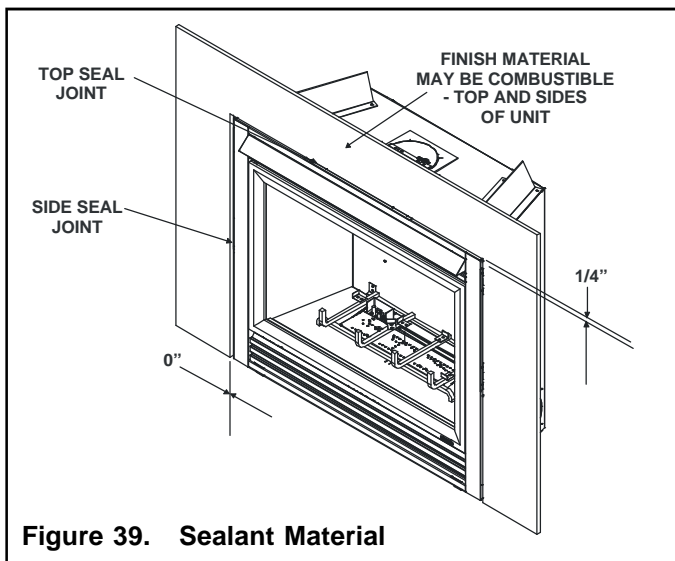


Figure 39. Sealant Material

Hearth Extensions

A hearth extension may be desirable for aesthetic reasons. However, ANSI or CAN/CGA testing standards **do not** require hearth extensions for gas fireplace appliances.

Refractory Kit Placement (BRICK-291, BRICK-293)

CAUTION: REFRACTORY IS FRAGILE! CAREFULLY REMOVE THE REFRACTORY FROM THE PACKAGING.

Remove the logs from the fireplace. Place the back wall refractory centered against the back of the fireplace on the grate assembly (see Figure 40).

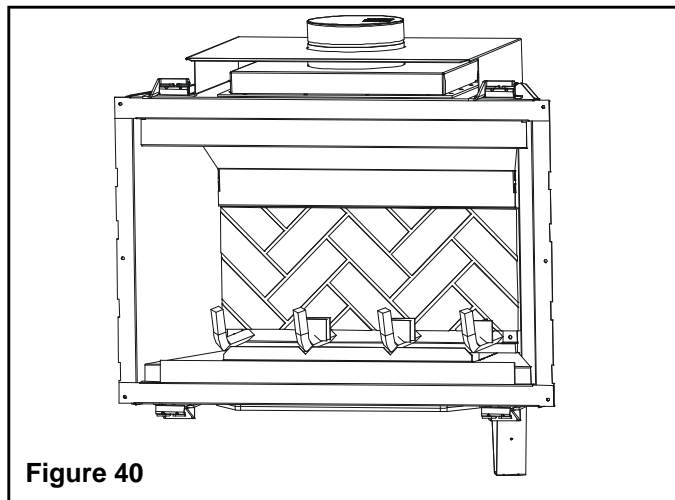


Figure 40

When positioning the left wall use care in not knocking the back wall down. Position the left wall all the way back against the back wall. Using the retaining clip and screw included, secure the side wall refractory as shown (see Figures 41 and 42).

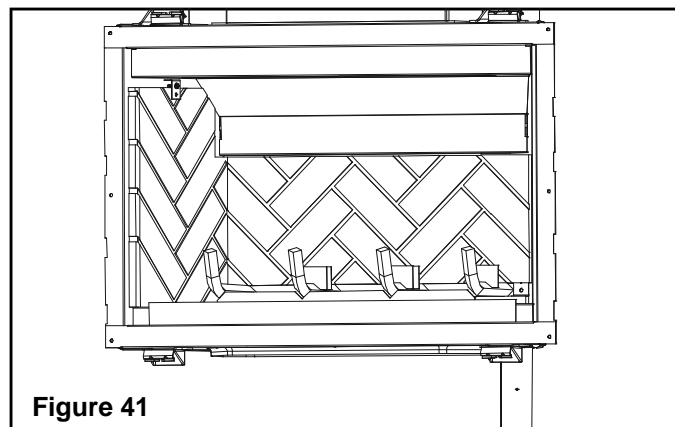


Figure 41

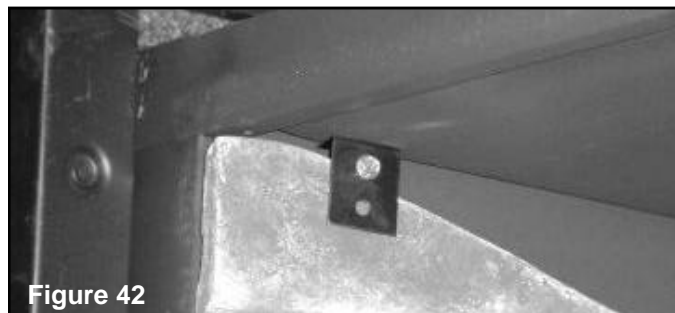


Figure 42

Position upper back refractory by placing on left wall then sliding in right wall (see Figure 43).

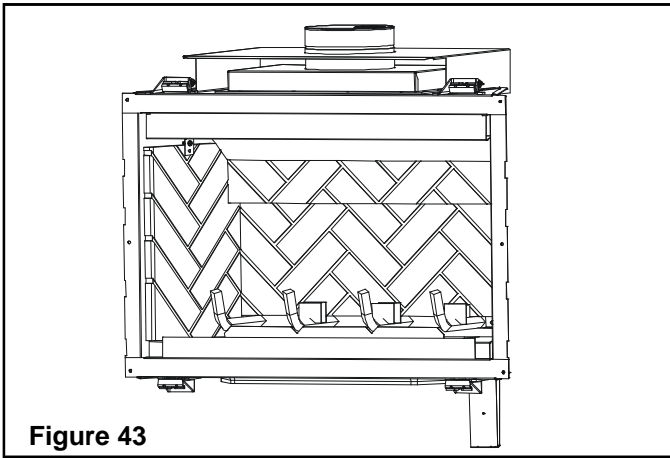


Figure 43

Position the right wall all the way to back wall. Secure in position as was done in Step 2 (see Figure 44).

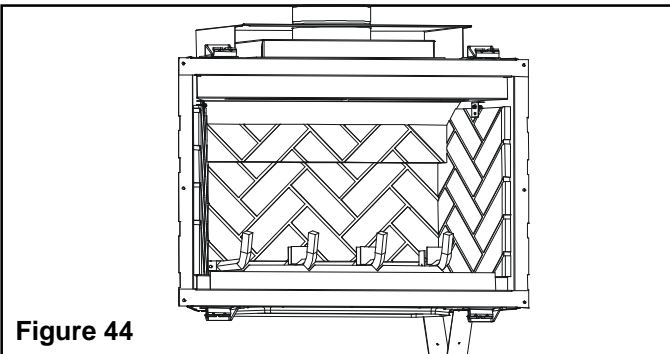


Figure 44

Replace the logs referring to your manual and log instructions.

Step 10. Installing Trim, Logs and Ember Material

Installing the Trim

Combustible materials may be brought up to the specified clearances on the side and top front edges of the fireplace, but **MUST NEVER** overlap onto the front face. The joints between the finished wall and the fireplace top and sides can only be sealed with a 300° F. (149° C) minimum sealant.



WARNING: WHEN FINISHING THE FIREPLACE, NEVER OBSTRUCT OR MODIFY THE AIR INLET/OUTLET GRILLES IN ANY MANNER.

Install optional marble and brass trim surround kits as desired. Marble, brass, brick, tile, or other non-combustible materials can be used to cover up the gap between the sheet rock and the fireplace.

Do not obstruct or modify the air inlet/outlet grilles. When overlapping on both sides, leave enough space so that the bottom grille can be opened and the trim door removed.

Positioning the Logs

If the gas logs have been factory installed they should not need to be positioned. If the logs have been packaged separately, refer to the instructions that accompany the logs. **Save the log instructions with this manual.**

If sooting occurs, the logs might need to be repositioned slightly to avoid excessive flame impingement.

Shutter Settings

Model	NG	LP
QV32-A	3/16"	SET
QV36-A	1/4"	SET

Placing the Ember Material

Ember material is shipped with this gas fireplace. The bag labeled Mystic Embers is standard glowing ember material. To place the ember material:

- Remove the top louver by lifting it up and away from the unit.
- Unlatch the latches at the top and bottom of the glass door.
- Remove the glass door from the unit (see Figure 45).
- Place dime size pieces of ember material about 1/2 inch apart near port holes in burner top. Do NOT press embers into burner ports. Cover the top of the burner with a single layer of ember material (see Figure 46).
- Save the remaining ember materials for use during fireplace servicing. The bag of embers provided is sufficient for 3 to 5 applications.
- Reinstall and latch the glass door and top louver on the unit.

CAUTION: THE GLASS DOOR MUST BE SECURELY LATCHED BEFORE OPERATING THE UNIT.

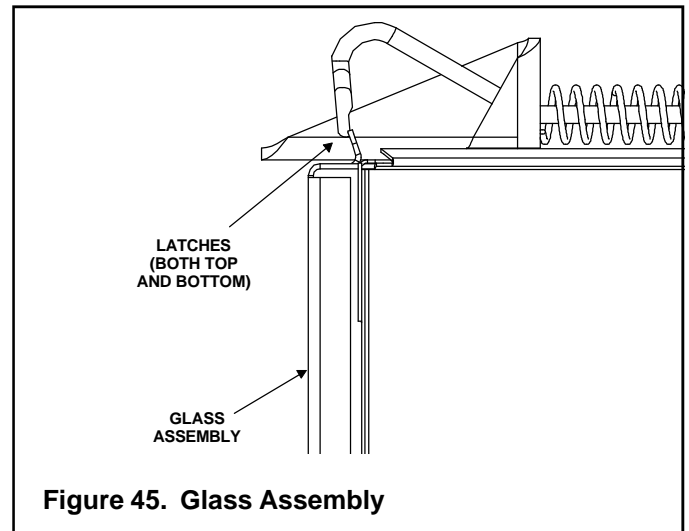


Figure 45. Glass Assembly

GLASS SPECIFICATIONS:

QV36-A	24 5/8 x 35 3/8	CERAMIC
QV32-A	21 1/8 x 30 3/8	CERAMIC

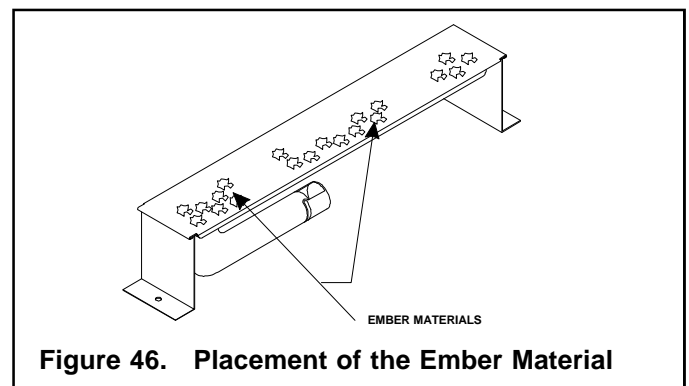


Figure 46. Placement of the Ember Material

Step 11. Before Lighting the Fireplace

Before lighting the fireplace, be sure to do the following:

Remove all paperwork from underneath the fireplace.

Review safety warnings and cautions

- Read the **Safety and Warning Information** section at the beginning of this *Installers Guide*.

Double-check for gas leaks

- Before lighting the fireplace, double-check the unit for possible gas leaks.

Double-check vent terminations and front grilles for obstructions.

- Before lighting the fireplace, double-check the unit for possible obstructions that could be blocking the vent terminations or the front grilles.

Double-check for faulty components

- Any component that is found to be faulty **MUST BE** replaced with an approved component. Tampering with the fireplace components is **DANGEROUS** and voids all warranties.

A small amount of air will be in the gas supply lines. When

first lighting the fireplace, it will take a few minutes for the lines to purge themselves of this air. Once the purging is complete, the fireplace will light and will operate normally.

Subsequent lightings of the fireplace will not require this purging of air from the gas supply lines, **unless the gas valve has been turned to the OFF position**, in which case the air would have to be purged.

NOTE: The fireplace should be run for 3 to 4 hours on the initial start-up. Turn it off and let it cool completely. Remove and clean the glass. Replace the glass and run the fireplace for an additional 8 hours. This will help to cure the chemicals used in the paint and logs.



WARNING: PLEASE REFER TO THE USER'S MANUAL FOR ALL CAUTIONS, SAFETY, AND WARNING INFORMATION PERTAINING TO THE LIGHTING AND OPERATION OF THE FIREPLACE.

Step 12. Lighting the Appliance

You've reviewed all safety warnings, you've checked the appliance for gas leaks, you know the vent system is

unobstructed, and you've checked for faulty components. Now you're ready to light the appliance.

FOR YOUR SAFETY READ BEFORE LIGHTING

WARNING: IF YOU DO NOT FOLLOW THESE INSTRUCTIONS EXACTLY, A FIRE OR EXPLOSION MAY RESULT CAUSING PROPERTY DAMAGE, PERSONAL INJURY, OR LOSS OF LIFE.

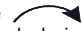
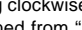
STANDING PILOT IGNITION

- A. This appliance (standing pilot version) has a pilot that must be lighted by hand. When lighting the pilot, follow these instructions exactly.
- B. BEFORE LIGHTING smell all around the appliance area for gas. Be sure to smell next to the floor because some gas is heavier than air and will settle to the floor.

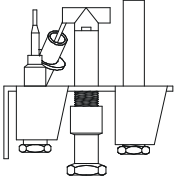


WHAT TO DO IF YOU SMELL GAS

- Do not try to light any appliance.
 - Do not touch any electric switch; do not use any phone in your building.
 - Immediately call your gas supplier from a neighbor's phone. Follow the gas supplier's instructions.
 - If you cannot reach your gas supplier, call the fire department.
- C. Use only your hand to push in or turn the gas control knob. Never use tools. If the knob will not push in or turn by hand, don't try to repair it, call a qualified service technician. Force or attempted repair may result in a fire or explosion.
 - D. Do not use this appliance if any part has been under water. Immediately call a qualified service technician to inspect the appliance and to replace any part of the control system and any gas control which has been under water.


LIGHTING INSTRUCTIONS STANDING PILOT CONTROLS

1. To access controls, open the lower grille.
2. Turn the gas control valve knob to the OFF position. To do this, you must turn the knob clockwise  to the PILOT position, and then press in and continue turning clockwise  to the OFF position. **NOTE:** Knob cannot be turned from "PILOT" to "OFF" unless knob is pushed in slightly. Do not force.
3. WAIT AT LEAST FIVE (5) MINUTES TO CLEAR OUT ANY GAS. If you have unsuccessfully tried to light the fireplace, wait longer, especially if you are using LP gas. Then smell for gas, including near the floor. If you then smell gas, **STOP!** Follow "B" in the safety information on previous page. If you don't smell gas, go to the next step.
4. The pilot should not require accessing for lighting purposes. The pilot is located inside the combustion chamber. If it is necessary to access the pilot, remove the trim door and glass door.

**THERMOCOUPLE
PILOT
THERMOPILE**


5. To put the control in the PILOT position, turn the control knob counter-clockwise  to the PILOT position.
6. To light the pilot press the control knob and then press the red or black piezo button once every second. The piezo makes a clicking sound. It may be necessary to repeat this step. If the pilot does not light after 10 seconds, go back to step 2. The control knob should be held down for a MINUTE after pilot ignition.
 - If the control knob does not pop out when released, **STOP!** Shut off the gas supply to the fireplace control valve, and **IMMEDIATELY** call your service technician or gas supplier.
 - If the pilot will not stay lit after two tries, turn the control knob to the "OFF" position and call your service technician or gas supplier.
7. After the pilot has been lit, the burner can be turned on by turning the knob counter-clockwise  to the "ON" position.
8. Set the ON/OFF switch to the "ON" position.
9. Close the lower grille.

TO TURN OFF GAS APPLIANCE

1. Open the lower grille.
2. Set ON/OFF switch to "OFF".
3. Turn the valve control knob clockwise  to the "Pilot" position, then depress knob and continue turning to "OFF" position.
4. Close the lower grille.

When you light your fireplace, you may notice:

This gas appliance produces heat which does have an associated odor or smell. If you feel this odor is excessive it may require the initial 3-4 hour continuous burn on high followed by a second burn up to 12 hours to fully drive off any odor from paint and lubricants used in the manufacturing process. Additionally, for the first few minutes after each lighting, vapor may condense and fog the glass and flames may be blue. After a few minutes this moisture will disappear and within 15-30 minutes the flames should become yellow.

Noise caused by metal expanding and contracting as it heats up and cools down, similar to the sound produced by a furnace or heating duct. This noise does not affect the operation or longevity of your fireplace.

After the Installation



LEAVE THIS INSTALLATION MANUAL WITH THE APPLIANCE FOR FUTURE REFERENCE.

4

Maintaining and Servicing Your Fireplace

Fireplace Maintenance

Although the frequency of your fireplace servicing and maintenance will depend on use and the type of installation, you should have a qualified service technician perform an appliance check-up at the beginning of each heating season. See the table below for specific guidelines regarding each fireplace maintenance task.

IMPORTANT: TURN OFF THE GAS BEFORE SERVICING YOUR FIREPLACE.

Replacing old ember material

Frequency: Once annually, during the checkup.

By: Qualified service technician.

Task: Brush away loose ember material near the burner. Replace old ember material with pieces of Mystic Ember following the directions in **Placing Ember Material**. New ember material should be placed on top of the burner. Save the remaining ember material and repeat this procedure at your next servicing. For more information, see **Placing Ember Material**.

Cleaning Burner and Controls

Frequency: Once annually.

By: Qualified service technician.

Task: Brush or vacuum the control compartment, fireplace logs and burner areas surrounding the logs.

Checking Flame Patterns, Flame Height

Frequency: Periodically.

By: Qualified service technician/Home owner.

Task: Make a visual check of your fireplace's flame patterns. Make sure the flames are steady - not lifting or floating. See Figure 47. The thermopile/thermocouple tips should be covered with flame. See Figure 34.

Checking Vent System

Frequency: Before initial use and at least annually thereafter, more frequently if possible.

By: Qualified service technician/Home owner.

Task: Inspect the external vent cap on a regular basis to ensure that no debris is interfering with the flow of air. Inspect entire vent system for proper function.

Cleaning Glass Door

Frequency: After the first 3 to 4 hours of use. As necessary after initial cleaning.

By: Home owner.

Task: Remove and clean glass after the first 3 to 4 hours of use. After the initial cleaning, clean as necessary, particularly after adding new ember (flame colorant) material. Film deposits on the inside of the glass door should be cleaned off using a household glass cleaner. **NOTE: DO NOT handle or attempt to clean the door when it is hot and DO NOT use abrasive cleaners.**

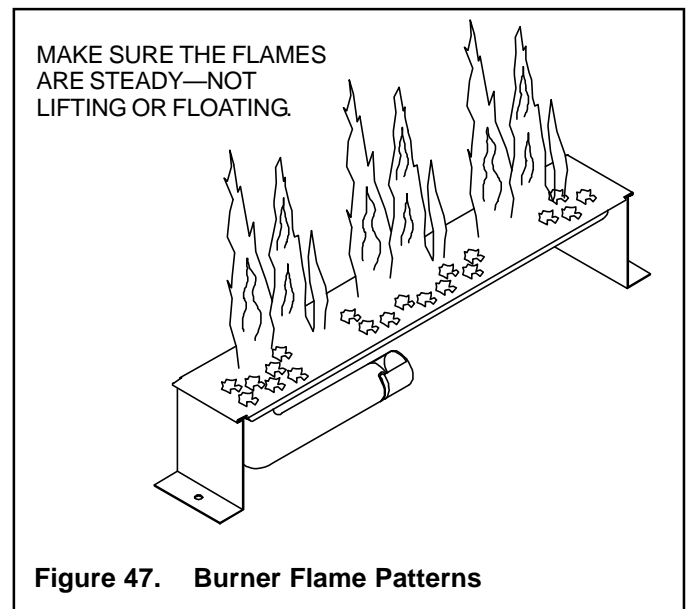


Figure 47. Burner Flame Patterns

5

Troubleshooting

With proper installation, operation, and maintenance your gas fireplace will provide years of trouble-free service. If you do experience a problem, this troubleshooting guide will assist a qualified service person in the diagnosis of a problem and the corrective action to be taken. This troubleshooting guide can only be used by a qualified service technician.

Symptom	Possible Cause	Corrective Action
1. After repeated triggering of the red or black piezo button, the spark ignitor will not light the pilot.	a. Defective ignitor.	Check the spark at the electrode and pilot. If no spark and electrode wire is properly connected, replace the ignitor.
	b. Defective pilot or misaligned electrode (spark at electrode).	Using match, light the pilot. If the pilot lights, turn off the pilot and trigger the red or black piezo button again. If the pilot lights, an improper gas/air mixture caused the bad lighting and a longer purge period is recommended. If the pilot will not light, ensure the the gap at the electrode and pilot is one-eighth (1/8) inch to have a strong spark. If the gap is OK, replace the pilot.
	c. No gas or low gas pressure.	Check the remote shut-off valvess from the fireplace. Usually, there is a valve near the gas main. There can be more than one (1) valve between the fireplace and the main.
	d. No LP in tank.	Check the LP (propane) tank. You may be out of fuel.
2. The pilot will not stay lit after carefully following the lighting instructions.	a. Defective thermocouple.	<p>Check that the pilot flame impinges on the thermocouple. Clean and/or adjust the pilot for maximum flame impingement.</p> <p>Ensure that the thermocouple connection at the gas valve is fully inserted and tight (hand tighten plus 1/4 turn).</p> <p>Disconnect the thermocouple from the valve, place one millivolt meter lead wire on the tip of the thermcouple and the other meter lead wire on the thermocouple copper lead. Start the pilot and hold the valve knob in. If the millivolt reading is less than 15mV, replace the thermocouple.</p>
	b. Defective valve.	If the thermocouple is producing more than 15 millivolts, replace faulty valve.
3. The pilot is burning, there is no gas burner, the valve knob is in the ON position, and the ON/OFF switch is in the ON position.	a. ON/OFF switch or wires defective.	Check the ON/OFF switch and wires for proper connections. Place the jumper wires across the terminals at the switch. If the burner comes on, replace the defective switch. If the switch is OK, place the jumper wires across the switch wires at the gas valve. If the burner comes on, the wires are faulty or connections are bad.
	b. Thermopile may not be generating sufficient millivoltage.	<p>If the pilot flame is not close enough physically to the thermopile, adjust the pilot flame.</p> <p>Be sure the wire connections from the thermopile at the gas valve terminals are tight and that the thermopile is fully inserted into the pilot bracket.</p> <p>Check the thermopile with a millivolt meter. Take the reading at TH-TP&TP terminals of the gas valve. The meter should read 325 millivolts minimum, while holding the valve knob depressed in the pilot position, with the pilot lit, and the ON/OFF switch in the OFF position. Replace the faulty thermopile if the reading is below the specified minimum.</p> <p>With the pilot in the ON position, disconnect the thermopile leads from the valve. Take a reading at the thermopile leads. The reading should be 325 millivolts minimum. Replace the thermopile if the reading is below the minimum.</p>
	c. Defective valve.	Turn the valve knob to the ON position. Place the ON/OFF switch in the ON position. Check the millivolt meter a the thermopile terminals. The millivolt meter should read greater than 125mV. If the reading is acceptable, and if the burner does not come on, replace the gas valve.
	d. Plugged burner orifice.	Check the burner orifice for stoppage. Remove stoppage.
	e. Wall switch or wires are defective.	Follow the corrective action in Symptom and Possible Cause 1.a above. Check the switch and wiring. Replace where defective.

Troubleshooting *(continued)*

Symptom	Possible Cause	Corrective Action
3. (Continued)	f. High limit switch is defective or has reached its maximum temperature.	Allow the unit to cool. If the burner remains lit after the fireplace warms up, the switch is good.
4. Frequent pilot outage problem.	a. Pilot flame may be too high or too low, or blowing (high), causing pilot safety to drop out.	Clean and adjust the pilot flame for maximum flame impingement on thermocouple. Follow lighting instructions carefully.
5. The pilot and main burner extinguish while in operation.	a. No LP in tank.	Check the LP (propane) tank. Refill the fuel tank.
	b. Inner vent pipe leaking exhaust gases back into the system.	Check for gas leaks.
	c. Horizontal vent improperly pitched.	The horizontal vent cap should slope down only enough to prevent any water from entering the unit. The maximum downwards slope is 1/4 inch.
	d. Glass too loose and air tight packet leaks in corners after usage.	Tighten the corner.
	e. Bad thermopile or thermocouple.	Replace if necessary.
	f. Improper vent cap installation.	Check for proper installation and freedom from debris or blockage.
6. Glass soots.	a. Flame impingement.	Adjust the log set so that the flame does not excessively impinge on it.
	b. Improper venturi setting.	Adjust the air shutter at the base of the burner.
	c. Debris around venturi.	Inspect the opening at the base of the burner. NO MATERIAL SHOULD BE PLACED IN THIS OPENING
7. Flame burns blue and lifts off burner.	a. Insufficient oxygen being supplied.	<p>Ensure that the vent cap is installed properly and free of debris. Ensure that the vent system joints are tight and have no leaks.</p> <p>Ensure that no debris has been placed at the base of, or in the area of the air holes in the center of the base pan beneath the burner.</p> <p>Ensure that the glass is tightened properly on the unit, particularly on top corners.</p>

Lifetime Warranty

The Aladdin Hearth Products limited Lifetime Warranty guarantees that the following components will work as designed for the lifetime of the stove or Aladdin Hearth Products will repair or replace them. These items include, but are not limited to, steel and cast iron components, all gas burners, gas logs, combustion chambers, heat exchanger systems, stainless steel firebox components, gold plating, doors, glass damaged by thermal breakage, baffles and manifold tubes. Labor is covered for the first five years.

THREE-YEAR WARRANTY

Our EZ Clean firepots are covered under Aladdin Hearth Products three-year warranty program. Labor is covered for 3 years.

ONE-YEAR WARRANTY

All electrical components such as, but not limited to, blowers, wiring, vacuum switches, speed controls, control boxes, thermodisc switches, pilot assemblies, gas valves, thermostats and remotes are covered under Aladdin Hearth Products one-year warranty program. Carburetors, burner rings and catalysts are covered under Aladdin's one-year warranty program. Porcelain finishes are warranted against manufacturer defects for one year. Labor to repair or replace these parts is covered for one year and reimbursed per our warranty service fee schedule. The igniter is not covered by any warranty, expressed or implied.

CONDITIONS

This warranty is nontransferable and is made to the original retail purchaser only provided that the purchase was made through an authorized dealer of Aladdin Hearth Products. It must be installed and operated at all times in accordance with the Installation and Operating Instructions furnished with this product, as well as any applicable local and national codes. Any alteration, willful abuse, accident, or misuse of the product shall nullify this warranty.

Labor to repair or replace items covered under the limited Lifetime Warranty will be covered for the first five years per our warranty service fee reimbursement schedule. Parts covered under the limited Lifetime Warranty will be covered for the lifetime of the appliance up to a maximum of five years after Aladdin Hearth Products discontinues the model. Adjustments, regular maintenance, cleaning and temporary repairs do not qualify for a service call fee and will not be covered. The replacement of consumer replaceable items and installation of upgraded component parts do not qualify for a service call fee, and will not be covered.

This limited Lifetime Warranty does not extend to or include surface finish on the appliance, logs for oil or pellet stoves, door gasketing, glass gasketing, thermocouple covers, firebrick, kaowool or other ceramic insulating materials. It does not cover installation or operational-related problems such as the use of corrosive driftwood, downdrafts or spillage caused by environmental conditions, nearby trees, buildings, hilltops, mountains, inadequate venting or ventilation, excessive offsets, or negative air pressures caused by mechanical systems such as furnaces, fans, clothes dryers, etc.

Any installation, construction, transportation, or other related costs or expenses arising from defective part(s), repair, replacement, etc., will not be covered by this warranty, nor will Aladdin Hearth Products assume responsibility for them. Further, Aladdin Hearth Products will not be responsible for any incidental, indirect, or consequential damages, except as results in damage to the interior or exterior of the building in which this appliance is installed. This limited Lifetime Warranty does not apply to the venting components, hearth components or other accessories used in conjunction with the installation of this product not manufactured by Aladdin Hearth Products.

This warranty is void if the stove has been overfired or operated in atmospheres contaminated by chlorine, fluorine, or other damaging chemicals; the stove is subjected to prolonged periods of dampness or condensation; or there is any damage to the stove or other components due to water or weather damage which is the result of, but not limited to, improper chimney or venting installation. Aladdin Hearth Products may, at its discretion, fully discharge all obligations with respect to this warranty by either repairing or replacing the unit, or refunding the wholesale price of the defective part(s).

This limited Lifetime Warranty is effective on all Dovre and Affinity appliances sold after July 1, 1998 and all Quadra-Fire appliances sold after September 1, 1996, and supersedes any and all warranties currently in existence.

