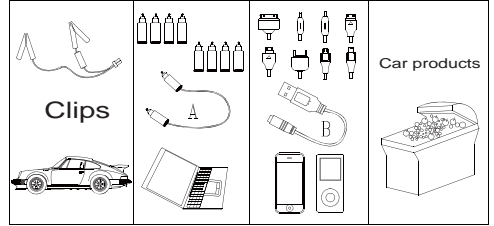
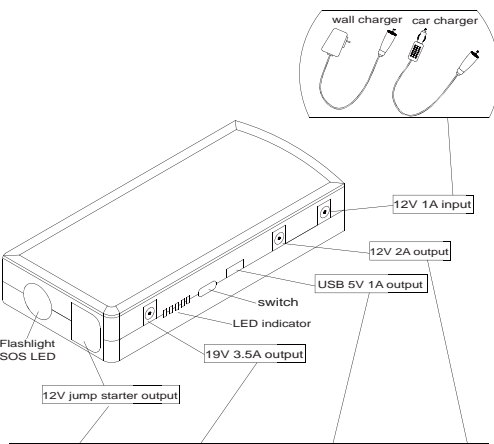


SPARD Multi-functional Jump Starter

Thank you to choose SPARD multi-functional jump starter! Wish you a safe journey!

Parts and Function description



LED indicator

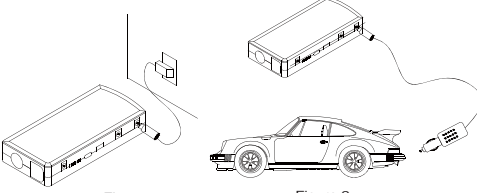
LED indicator	All Off	All Flash	1 ON	2 ON	3 ON	4 ON	5 ON
Capacity	0%	10%	20%	40%	60%	80%	100%

LED indicator will be in flashing cycle when charging the jump starter. The quantities of LED always ON show the capacity of the jump starter. 5 LEDs becoming ON show the jump starter is being fully charged.

Operation

Charge the jump starter

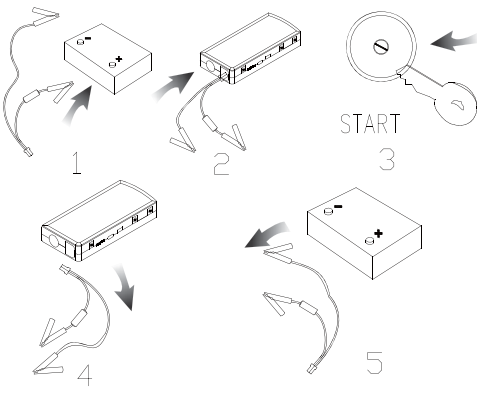
1. Plug the wall charger in 100-240V AC socket, then connect DC 12V 1A output of the charger with 12V input of jump starter.
2. Or plug the car charger in car socket, then connect DC output of car charger with the 12V input of jump starter.



Jump starting 12V car

1. Make sure the LED indicator is 3 or more ON, otherwise charging the jump starter first.
2. Clamping positive of car battery with RED clip tightly, clamping negative of car battery with BLACK clip tightly. Warning: any reverse polarity will cause danger!
3. Insert BLUE connector of Clips into the 12V jump starter output, make sure the insertion is tight and into proper depth.
4. Turn the ignition switch to START position.
5. Pull out BLUE connector from the jump starter within 30seconds after starting car.
6. Remove clips from car battery.

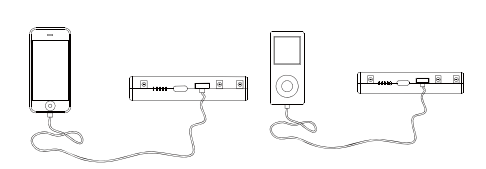
Brief starting steps sketches



Charging electronic products, smartphone/tablet PC etc.

1. Choose proper adaptor B
2. Connect USB of adaptor B with USB 5V 1A output of jump starter
3. Connect adaptor B with the charging port of your electronic product
4. Press switch of jump starter, charging is starting.

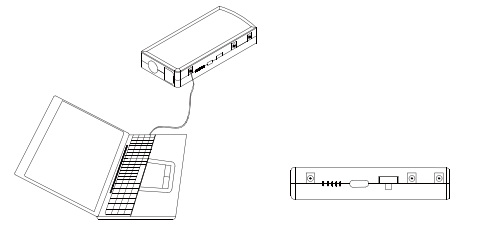
The figures below show how to charge smartphone and MP3 player.



Charging notebook battery or providing power for notebook

1. Choose proper adaptor A
2. Connect USB of adaptor A with 19V 3.5A output of jump starter
3. Connect adaptor A with the charging port of your notebook
4. Press switch of jump starter, charging is starting or power is being provided.

The figures below show how to charge notebook



Providing power for 12V electronic or car products

1. Use the original cable or choose the proper cable adaptor
2. Connect the cable with 12V 2A output of jump starter
3. Press switch of jump starter, power is being provided

Switch

Press the switch to start charging. Please make sure at least 1 LED ON otherwise the jump starter needs to be charged first.

Flashlight and SOS LED

Press switch for 3 seconds to start LED lamp. Then press shortly switch in turn: flashlight, strobe, SOS and off.