



# Arctic Assault Snow Pusher

## Warranty Information & User's Manual

Model No. 12711 & 12722



Den Hartog Industries Inc.  
4010 Hospers Drive S  
PO Box 425  
Hospers, IA 51238

[www.denhartogindustries.com](http://www.denhartogindustries.com)

[www.arcticassault.com](http://www.arcticassault.com)



## Introduction

Thank you for purchasing your new Arctic Assault Snow Pusher attachment. With proper care, handling and use you will enjoy years of productive service from this product. This attachment is designed to be installed on various skid steer type equipment and is intended to be utilized for pushing snow. No other use is intended.

Please read and understand this manual before operation.

## Limited Warranty

### 1. **Extent and Duration of this Warranty:**

Your Den Hartog Industries product is warranted to be free from defects in materials and workmanship under normal use and service for three years after date of purchase by the original owner when properly installed, used and maintained:

Any product found to be defective in materials or workmanship will be dealt with under the repair and replacement procedure described in this policy.

THIS WARRANTY DOES NOT APPLY TO ANY COMPONENT PARTS OR ACCESSORIES USED WITH THIS PRODUCT THAT ARE NOT MANUFACTURED BY DEN HARTOG INDUSTRIES, INC.

### 2. **Manufacturer and Warrantor:**

Den Hartog Industries, Inc.  
4010 Hospers Dr. S.  
P.O. Box 425  
Hospers, IA 51238-0425  
(712) 752-8432



### 3. **Repair or Replacement Procedure:**

If your Den Hartog Industries product develops a defect during the warranty period, promptly notify our customer service department. Until such notice is received, warrantor will not be responsible for any repair, replacement, or partial refund. Notice received more than sixty days after the warranty period will not be valid and the warranty will not apply.

Upon receipt of timely notice from you, and proof of defect, warrantor will have a choice of options at its sole discretion:

- a) Warrantor may require you at your own expense to deliver or ship the product to its factory or authorized dealer. Any defective, warranted product will be repaired or replaced and returned to you or your authorized dealer free of charge. Any part returned to warrantor and found not to be defective will be returned to you freight collect with explanation.
- b) Warrantor may ship a new product to its dealer to be exchanged free of charge for the defective product returned by you.
- c) Warrantor may ship or deliver a replacement product to you at your address.
- d) Warrantor may refund the product's pro-rated value based on normal life span upon return of the product to it or its authorized dealer.
- e) Warrantor may choose another, reasonable procedure to compensate the purchaser.

#### **4. Limitations on Warranty Coverage:**

Coverage under this warranty will be effective only when a copy of the original invoice, showing date and location of purchase, accompanies any claim for warranty.

Warrantor has no liability whatsoever and this warranty is null and void if any Den Hartog Industries product has been misassembled or subjected to neglect, negligence, misuse, accident or used in any way contrary to use and maintenance instructions.

This warranty does not cover any product that has been altered or modified so as to affect the product's use, performance or durability, or that has been modified to change the intended use of the product.

In addition, the warranty does not extend to repairs made necessary by abnormal use, damage, unreasonable use including failure to provide reasonable and necessary maintenance, or by use of parts, accessories or other equipment that are incompatible with Den Hartog Industries products or affect the product's operation, performance or durability.

Warrantor has a policy of continuous product improvement. We reserve the right to change or improve the design of any Den Hartog Industries product, including but not limited to state of the art changes, without assuming any obligation to modify any product previously manufactured.

#### **5. Implied Warranties Excluded:**

All implied warranties are expressly excluded.

## 6. **Limitation of Consequential Damages:**

Warrantor's responsibility under this warranty extends solely to repair or replacement of your Den Hartog Industries product and its component parts. Warrantor does not assume responsibility for, nor shall it be liable for, any special, incidental or consequential damages. Specifically, warrantor assumes no responsibility to the owner for loss of use of the product, loss of time, inconvenience or other damage consequential or otherwise, including, but not limited to loss of revenue or earnings; expense of transporting the product; travel time; telephone, fax, overnight delivery, or postage charges; road service/towing charges; rental during the time warranty repairs are being performed; travel or lodging costs; loss or damage to personal property; or any other losses.

Some states do not allow exclusion or limitation of incidental or consequential damages, so above exclusion or limitation may not apply to you.

## 7. **Purchaser's Rights:**

This warranty gives you specific legal rights, and you may also have other rights that vary from state to state.

## 8. **Exclusive Warranty:**

This is the only warranty made by the warrantor on the product and no agent, employee, or other person is allowed to change or add to this warranty. This warranty extends solely to repair or replacement of your Den Hartog Industries product. Warrantor does not assume any liability or responsibility not expressly covered by this limited warranty. This warranty supersedes all other warranties, written or implied.

No other express warranty has been made or will be made on behalf of warrantor with respect to this Den Hartog Industries product or its construction, use, repair or replacement.

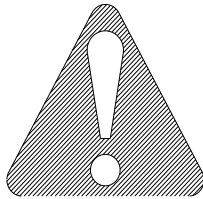
Ace Roto-Mold • Injection Molding • Blow Molding • Sowjoy

4010 Hospers Drive South  
P.O. Box 425  
Hospers, IA 51238-0425  
712-752-8432 • 800-342-3408  
fax 712-752-8222  
[www.denhartogindustries.com](http://www.denhartogindustries.com)



## Safety

**TAKE NOTE!** This safety alert symbol found throughout this manual is used to call you attention to instructions involving your personal safety and the safety of others. Failure to follow these instructions can result in injury or death.



THIS SYMBOL MEANS

-ATTENTION!

-BECOME ALERT!

-YOUR SAFETY IS INVOLVED!

### **SIGNAL WORDS:**

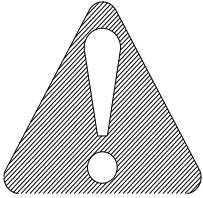
Note the use of the signal words DANGER, WARNING and CAUTION with the safety messages. The appropriate signal word for each has been selected using the following guidelines:

**DANGER:** Indicates an imminently hazardous situation that, if not avoided, will result in death or serious injury. This signal word is to be limited to the most extreme situations typically for machine components that, for functional purposes, cannot be guarded.

**WARNING:** Indicates a potentially hazardous situation that, if not avoided, could result in death or serious injury, and includes hazards that are exposed when guards are removed. It may also be used to alert against unsafe practices.

**CAUTION:** Indicates a potentially hazardous situation that, if not avoided, may result in minor or moderate injury. It may also be used to alert against unsafe practices.

If you have questions not answered in this manual, require additional copies or the manual is damaged, please contact your dealer or Den Hartog Industries Inc.  
P.O. Box 425, Hospers, IA 51238. 712-752-8432.



## SAFETY....YOU CAN LIVE WITH IT!



### ATTACHMENT SAFETY GUIDELINES

Safety of the operator is one of the main concerns in designing and developing a new piece of equipment or attachment. Designers and manufacturers build in as many safety features as possible. However, every year many accidents occur that could have been avoided by a few seconds of thought and a more careful approach to operating equipment. You, the operator, can avoid many accidents by observing the following precautions in this section. To avoid personal injury, study the following precautions and insist those working with you, or for you, follow them.

Replace any CAUTION, WARNING or DANGER or instruction safety label that is not legible or is missing. The location of these safety labels is included in this manual.

Do not attempt to operate this equipment or attachment while under the influence of drugs or alcohol.

Review the safety instructions with all users annually.

This equipment or attachment is dangerous to children or persons unfamiliar with its operation. The operator should be a responsible adult trained and familiar with this type of equipment or attachment. **DO NOT ALLOW PERSONS TO OPERATE OR INSTALL THIS EQUIPMENT OR ATTACHMENT UNTIL THEY HAVE READ AND UNDERSTAND THIS MANUAL AND HAVE DEVELOPED AN UNDERSTANDING OF THE SAFETY PRECAUTIONS AND HOW IT WORKS.**

To prevent injury or death, use a vehicle equipped with a Roll Over Protective System (ROPS). Do not paint over, remove or deface any safety signs or labels on this product or the equipment the product is used on. Observe all safety signs and labels and practice the instructions on them.

Never use this attachment for the movement of materials other than snow.

Be familiar with the working area and obstructions that may be covered with snow and are no longer visible. Where necessary, mark such obstructions so that the work area can be safely cleared.

Always clear the working area of personnel before operating this product.

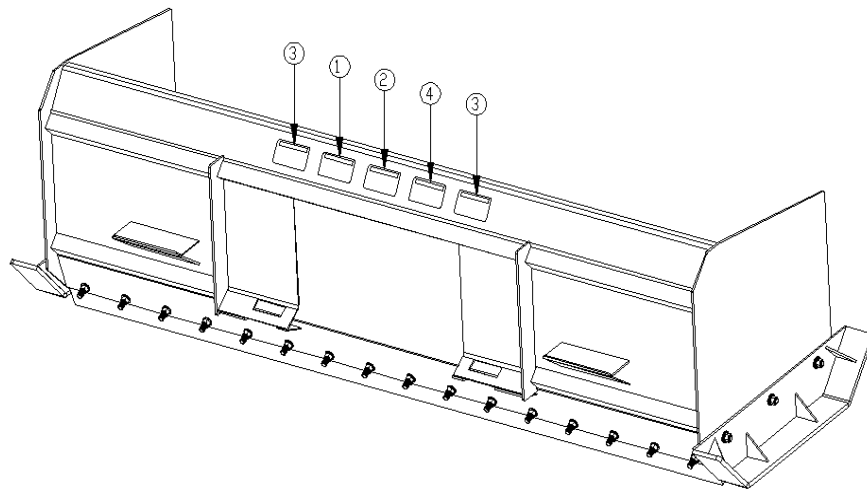


## LIGHTING AND MARKING


It is the responsibility of the customer to know lighting and marking requirements of the local highway authorities and to install and maintain the equipment to provide compliance with the regulations. Add extra lights when transporting at night or during periods of limited visibility.



## SAFETY LABEL LOCATIONS



1

**WARNING**

**CLEAR PERSONNEL FROM AREA**

BEFORE USING THIS PRODUCT CLEAR  
WORKING AREA OF ALL PERSONNEL

FAILURE TO HEED THIS WARNING COULD  
RESULT IN SERIOUS INJURY OR DEATH

19476

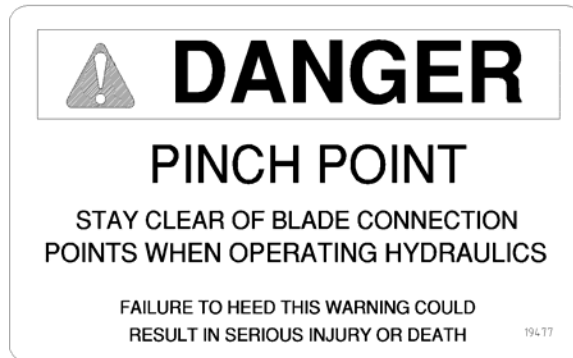
Part Number: 19476

2



*Part Number: 19478*

3



*Part Number: 19477*

4



*Part Number: 19479*

**REMEMBER:** If safety labels have been damaged, removed, or become illegible new labels must be applied. Contact your dealer or the manufacturer for replacement labels.





## **SAFETY LABEL REPLACEMENT**

1. Be sure the installation area is clean and dry.
2. Decide on the exact position before removing the backing paper.
3. Peel back a small portion of a corner.
4. Align the label over the selected area and carefully press that corner down.
5. Slowly peel back the remaining backing paper and carefully smooth out the remaining label in place.



## **BEFORE OPERATION**

- Carefully review and understand this manual.
- Always wear the appropriate personal protective equipment including clothing, footwear, eyewear and hearing protection.
- Before installing attachment review the attachment installation section in this manual. Be certain all personnel are clear of equipment before attempting to install attachment.
- Always inspect the entire work area prior to operation for hazards.
- Give the equipment and attachment a visual inspection for any loose bolts, missing parts or damage and make the appropriate repairs before operation. Follow the maintenance safety instructions included in this manual.
- Do not operate the equipment until you are sure that working area is clear of all personnel.
- Practice the operation of the attachment and familiarize yourself and other operators with its operation before using.
- Use equipment with a Roll Over Protective System (ROPS) and utilize the seat restraint safety devices provided with your equipment.



## **DURING OPERATION**

- Never allow passengers on attachment or equipment while in operation or with engine running or without the ignition key removed.
- Keep hands, feet and clothing clear of moving parts.
- Never clean, lubricate or adjust equipment or attachment while in operation.
- When halting operation always turn engine off and remove ignition key.
- Be especially observant of the operating area and terrain – watch for holes, rocks, stumps or other hazards.
- Never operate near the edge of drop-offs or banks.
- Never operate on steep slopes as defined in the equipment manual as overturn may result.
- Always operate up and down (not across) intermediate slopes.
- Never walk or work under raised attachments.

- Keep all personnel clear of the work area.
- Never leave running equipment and attachments unattended.
- Always operate equipment in a position to provide maximum visibility at all times. Make allowances for increased length, width and weight when making turns, stopping, etc.
- Be observant of bridge loading ratings. Do not cross bridges rated lower than the gross weight at which you are operating.
- Never operate equipment in enclosed areas. Exhaust fumes may cause asphyxiation.



### **AFTER OPERATION**

- Following operation, park equipment on level solid surface, lower attachment, shut off engine and remove ignition key.
- Inspect attachment for damage, loose or missing bolts and repair. Follow the maintenance safety instructions included in this manual.
- Store attachment in a safe and secure area to avoid accidental damage.



### **PERFORMING MAINTENANCE**

- Before attempting maintenance on attachment be certain the equipment engine is shut off and ignition key is removed.
- Never attempt maintenance on attachment unless equipment is on a level solid surface and attachment is fully lowered and resting on a surface or secure blocking.
- Hydraulic systems may still be under pressure even with engine off. Never attempt to locate hydraulic leaks on attachments with your hands. Use a piece of cardboard. Hydraulic fluid escaping under pressure can penetrate the skin.
- Where replacement parts are necessary for periodic maintenance and servicing, genuine factory replacement parts must be used. The use of unapproved parts may void the attachment warranty.
- All fasteners used must be at least a grade five quality or better.

## ATTACHMENT INSTALLATION

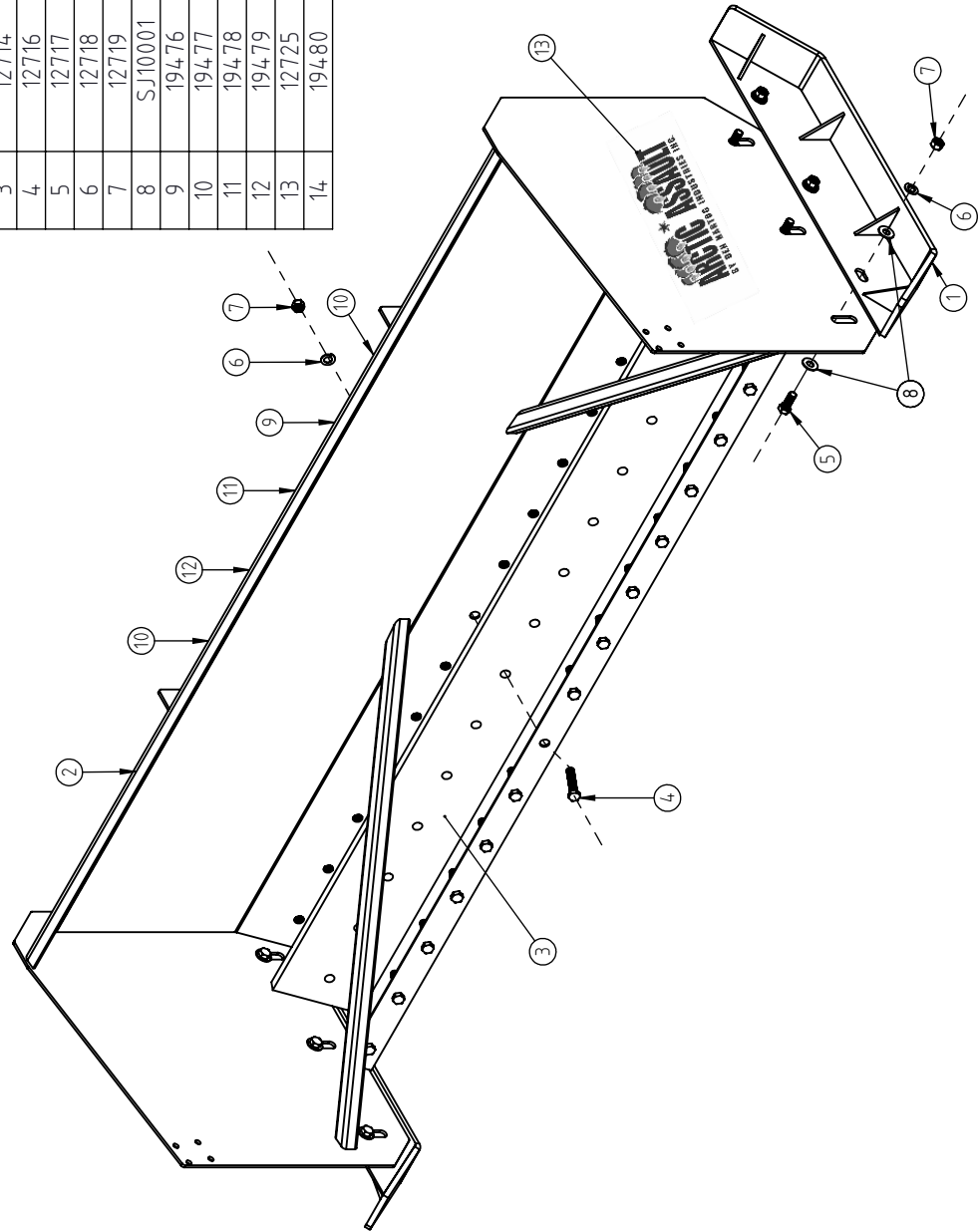



1. Align skid steer with Arctic Assault Snow Pusher
2. Tip quick attach of skid steer to make contact under the catch lip on top of Arctic Assault.
3. Lift slowly and tip Arctic Assault back toward skid steer until attachment plate and Arctic Assault are making full contact.
4. Lock Arctic Assault in place by either manually locking levers or engaging powered mounting system.

## ATTACHMENT MAINTENANCE AND SERVICING

- Reference the assembly diagrams 12711 & 12722 at the rear of this manual
1. See “Performing Maintenance” in the safety section above for important information.
  2. Adjust Blade Skis (item 1) to match or be just below the Rubber Scraper Blade (item 3) height.
  3. After excessive wear the Rubber Scraper Blade (item 3) may be reversed for extended life. Be certain all bolts are used and installed as shown.
  4. If Blade Skis (item 1) are excessively worn or damaged they should be replaced. Order part number 12712 for replacements.
  5. Inspect attachment connection points for excessive wear or damage that may cause loss of control or unit detachment.
  6. Inspect attachment for broken welds, cracks or other damage that may render the attachment unsafe. Repair or replace damage prior to subsequent use.

KEY	PART NUMBER	DESCRIPTION	QTY.
1	12712	SNOW PUSHER - SKI ASSEMBLY	2
2	12713	SNOW PUSHER- MAIN FRAME	1
3	12714	SNOW PUSHER- RUBBER BLADE	1
4	12716	BOLT, 5/8" X 3" HEX CAP GR 5	16
5	12717	BOLT, 5/8" X 2" HEX CAP	6
6	12718	WASHER, 5/8" SPLIT LOCK ZINC	22
7	12719	NUT, 5/16" NYLOK SS	22
8	SJ10001	WASHER, 5/8" FLAT ZINC	12
9	19476	CLEAR AREA WARNING LABEL	1
10	19477	PINCH POINT DANGER LABEL	2
11	19478	SNOW REMOVAL WARNING LABEL	1
12	19479	SAFETY MANUAL WARNING LABEL	1
13	12725	GRAPHIC, ARTIC ASSULT	2
14	19480	OPERATORS MANUAL (NOT SHOWN)	1

**Den Hartog**  
INDUSTRIES, INC.

Ace Roto-Mold Injection Molding Blow Molding SowJoy  
 4010 HOSPERS DRIVE S. BOX 425, HOSPERS, IOWA 51238-0425

DESCRIPTION	SNOW PUSHER
SCALE	N.S.
PART NO.	12711

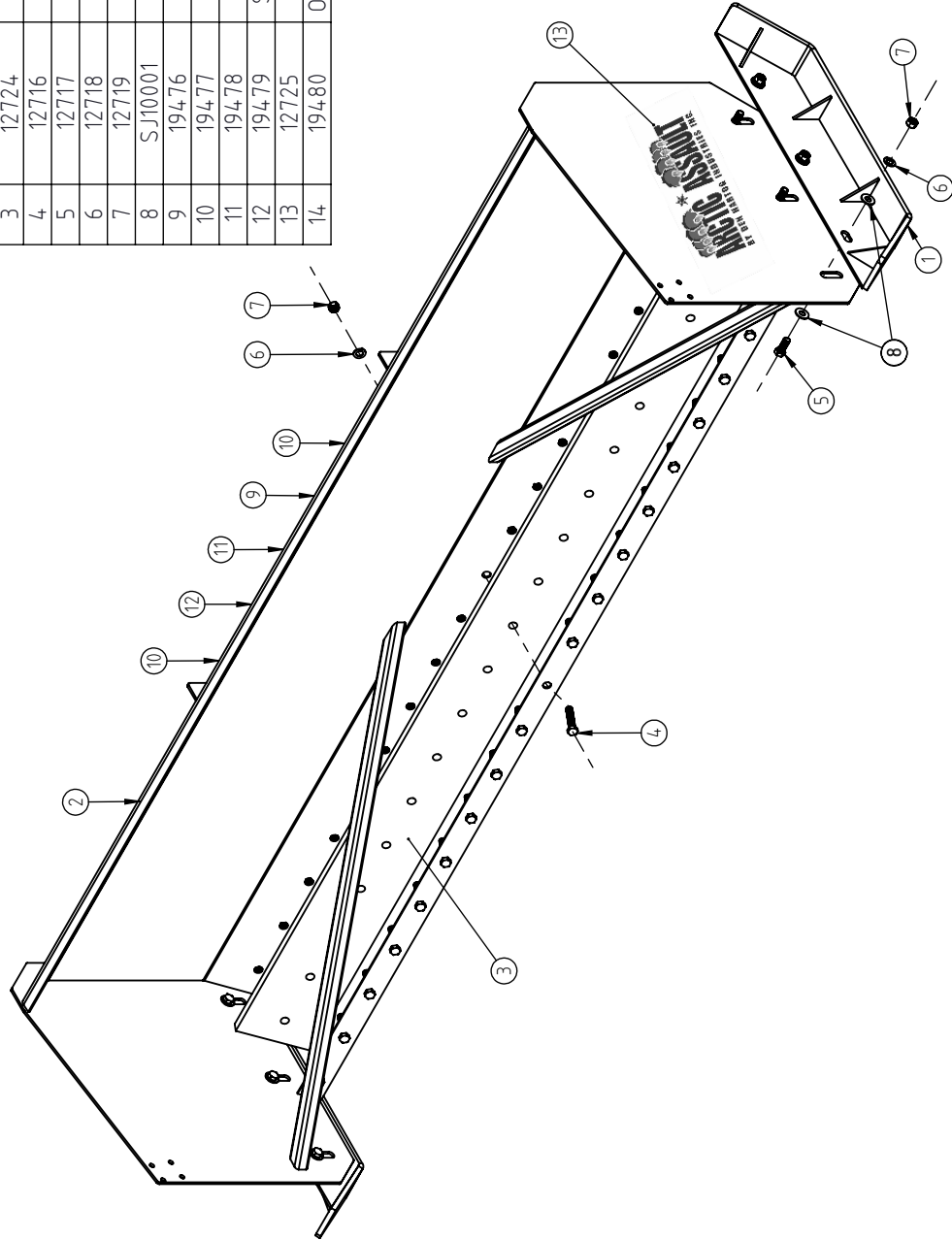
DRAWN / DATE	ADH 10/19/09
APPRD / DATE	KGJ 10/21/09
BY / DATE	CCN


MATERIAL	
THIRD ANGLE PROJECTION	ANSI 14.5M
SHOT WEIGHT:	530.00 LBS
SHIPPING WEIGHT:	530.00 LBS
FINISH:	

REV	DESCRIPTION	THIRD ANGLE PROJECTION	ANSI 14.5M
	ALL DIMENSIONS ARE IN DECIMAL INCHES. TOLERANCES UNLESS OTHERWISE SPECIFIED		
	POLYETHYLENE		
	±1% @ 68° F		
	METAL		
	DECIMAL ± .125"		
	FRACTION ± 1/4"		
	ANGLE ± 1°		

Copyright: All information furnished within this document, electronic file or design correspondence is the property of Den Hartog Industries, Inc. and shall not be used, disclosed to others or copied without the expressed written consent of Den Hartog Industries, Inc.

KEY	PART NUMBER	DESCRIPTION	QTY.
1	12712	SNOW PUSHER - SKI ASSEMBLY	2
2	12723	SNOW PUSHER- MAIN FRAME	1
3	12724	SNOW PUSHER- RUBBER BLADE	1
4	12716	BOLT, 5/8" X 3" HEX CAP GR 5	20
5	12717	BOLT, 5/8" X 2" HEX CAP	6
6	12718	WASHER, 5/8" SPLIT LOCK ZINC	26
7	12719	NUT, 5/16" NYLOK SS	26
8	SJ10001	WASHER, 5/8" FLAT ZINC	12
9	19476	CLEAR AREA WARNING LABEL	1
10	19477	PINCH POINT DANGER LABEL	2
11	19478	SNOW REMOVAL WARNING LABEL	1
12	19479	SAFETY MANUAL WARNING LABEL	1
13	12725	GRAPHIC, ARTIC ASSULT	2
14	19480	OPERATIONS MANUAL (NOT SHOWN)	1



 <p><b>Den Hartog</b> INDUSTRIES, INC.</p> <p>Ace Roto-Mold Injection Molding Blow Molding SowJoy 4010 HOSPERS DRIVE S. BOX 425, HOSPERS, IOWA 51238-0425</p>		<p>DESCRIPTION: SNOW PUSHER-10 FT BLADE</p> <p>SCALE: N.S. PART NO: 12722</p>	
<p>DRAWN / DATE: ADH 10/23/09</p> <p>APPRD / DATE: KGJ 11/5/09</p>		<p>MATERIAL:</p>	
<p>REV: DESCRIPTION</p> <p>ALL DIMENSIONS ARE IN DECIMAL INCHES TOLERANCES UNLESS OTHERWISE SPECIFIED</p> <p>POLYETHYLENE METAL DECIMAL ± .125" FRACTION ± 1/4" ANGLE ± 1°</p>		<p>NOTES:</p> <p>SHOT WEIGHT: 640.00 LBS SHIPPING WEIGHT: 640.00 LBS FINISH:</p>	
<p>BY / DATE: CCN</p> <p>THIRD ANGLE PROJECTION ANSI 14.5W</p> 